

Kohler Courage 26hp

Spare parts

Ersatzteile

Pièces détachées

Reserve onderdelen

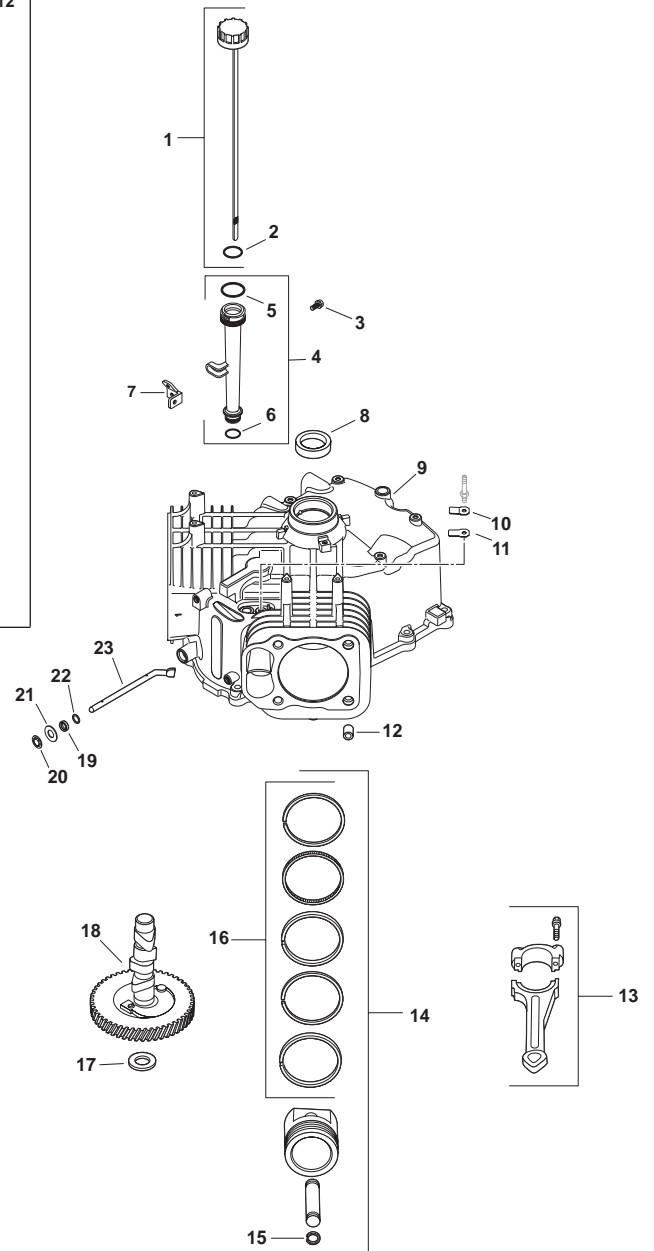
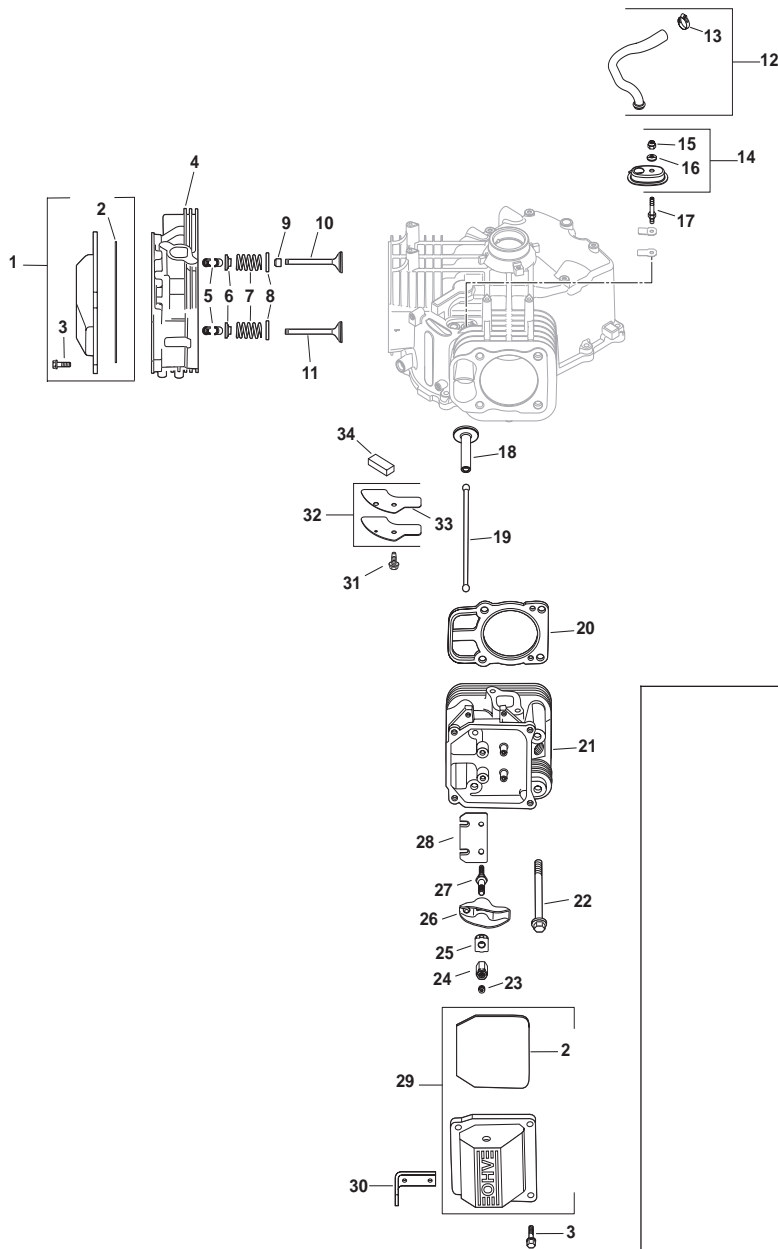
Repuestos

Reservdelar

KOHLER ENGINE - MODEL NO. SV735, TYPE NO. 0014

CYLINDER HEAD, VALVE, & BREATHER

CRANKCASE



KOHLER ENGINE - MODEL NO. SV735, TYPE NO. 0014

HEAD/VALVE/BREATHER 4-32-1

1	531 02 98-75	1	KIT, PLAIN ROCKER COVER (INCLUDES 2[QTY 1], 3[QTY 4])
2	531 02 99-15	2	O-RING, VALVE COVER
3	531 02 99-14	8	SCREW, FLG M6X1.0X30
4	504 57 67-01	1	KIT, #1 CYLINDER HEAD ASSY (INCLUDES 26[QTY 4] & 24 841 03-S)
5	531 02 97-17	4	KIT, RETAINER
6	544 83 93-01	4	CAP, VALVE SPRING
7	531 02 97-15	4	SPRING, VALVE
8	531 02 97-14	4	RETAINER, SPRING
9	531 02 97-13	2	SEAL, VALVE STEM
10	531 02 97-11	2	VALVE, INTAKE (STD)
11	531 02 97-09	2	VALVE, EXHAUST (STD)
12	531 02 99-45	1	KIT, BREATHER HOSE (INCLUDES 13[QTY 1])
13	531 02 96-04	5	CLAMP, HOSE
14	504 57 68-01	1	KIT, BREATHER HOUSING (INCLUDES 15,16)
15	531 02 98-05	1	NUT, LOCK M5X0.8
16	531 02 99-46	1	WASHER, SEALING
17	531 02 99-48	1	STUD, BREATHER COVER
18	531 02 99-62	4	KIT, TAPPET
19	531 02 99-63	4	ROD, PUSH
20	544 81 01-01	2	"KIT, CYLINDER HEAD GASKET (INCLUDES HEAD MOUNTING HARDWARE & 24 041 49-S, 24 153 27-S)"
21	531 02 99-64	1	KIT, #2 CYLINDER HEAD ASSY (INCLUDES 22[QTY 4] & 24 841 03-S)
22	531 02 97-03	8	SCREW, FLG M10X1.5X90
23	504 57 55-01	4	NUT, M10X0.75
24	504 57 54-01	4	SCREW, SET
25	504 57 56-01	4	PIVOT, ROCKER ARM
26	531 02 99-65	4	ARM, ROCKER
27	504 57 59-01	4	STUD, ROCKER
28	504 57 62-01	2	PLATE, GUIDE
29	544 84 07-01	1	KIT, BREATHER VALVE COVER (INCLUDES 2[QTY 1])
30	531 02 97-08	1	STRAP, LIFTING
31	531 02 97-62	1	SCREW, FLG THD FRM M6X1.0X16
32	531 02 99-51	1	KIT, BREATHER COVER (INCLUDES 33)
33	531 02 99-52	1	GASKET, BREATHER COVER
34	531 02 99-53	1	FILTER, BREATHER
NOT ILLUSTRATED	531 02 98-43	1	GASKET, EXHAUST
	531 02 97-40	1	O-RING, INTAKE PORT
	504 57 69-01	2	"KIT, CYLINDER HEAD HARDWARE (SERVICES 1 HEAD. QUANTITIES LISTED ARE FOR BOTH HEADS) (INCLUDES 5-11,19, 25-26,28)"

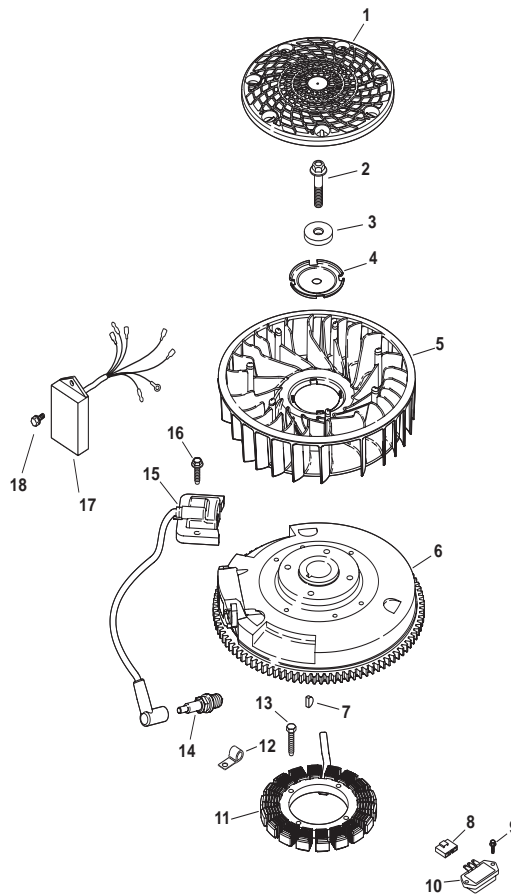
CRANKCASE 2-32-1

1	531 02 96-63	1	DIPSTICK, ASSY (INCLUDES 2)
2	531 02 96-65	1	O-RING, DIPSTICK
3	531 02 95-50	1	SCREW, FLG THD FRM M5X0.8X13
4	531 02 96-60	1	KIT, OIL FILL TUBE (INCLUDES 5,6)
5	531 02 96-62	1	O-RING, UPPER OIL FILL TUBE
6	531 02 96-58	1	O-RING, LOWER OIL FILL TUBE
7	531 02 96-59	1	BRACKET, OIL FILL TUBE
8	531 02 97-79	1	SEAL, OIL
9		1	CRANKCASE (USE SHORT BLOCK)
10	531 02 96-56	1	RETAINER, BREATHER REED
11	544 84 03-01	1	REED, BREATHER
12	531 02 96-35	6	PIN, LOCATING
13	531 02 96-36	2	CONNECTING ROD (STD)
14	531 02 99-04	2	KIT, PISTON W/RING SET (STD) (INCLUDES 15,16)
	531 02 99-05	1	KIT, PISTON W/RING SET (.08)
	531 02 99-06	1	KIT, PISTON W/RING SET (.25)
15	531 02 96-45	4	RETAINER, PISTON PIN
16	531 02 96-43	2	RING SET (STD)
	531 02 99-08	1	RING SET (.08)
	531 02 99-09	1	RING SET (.25)
17	531 02 96-48		A.R. SHIM, CAMSHAFT (WHITE .028")
	531 02 96-49		A.R. SHIM, CAMSHAFT (BLUE .03")
	531 02 96-46		A.R. SHIM, CAMSHAFT (RED .032")
	531 02 96-50		A.R. SHIM, CAMSHAFT (YELLOW .034")
	531 02 96-51		A.R. SHIM, CAMSHAFT (GREEN .036")
	531 02 96-52		A.R. SHIM, CAMSHAFT (GRAY .038")
	531 02 96-47		A.R. SHIM, CAMSHAFT (BLACK .04")
18	531 02 99-50	1	KIT, CAMSHAFT (INCLUDES 25 357 14-S)
19	531 02 96-68	1	SEAL, GOVERNOR CROSS SHAFT
20	531 02 96-66	1	RETAINER, RING
21	531 02 96-67	1	WASHER, FLAT 9 MM
22	531 02 96-69	1	WASHER, FLAT 11/32"
23	531 02 96-70	1	SHAFT, GOVERNOR CROSS
NOT ILLUSTRATED	544 84 04-01	1	LUBRICANT, CAMSHAFT

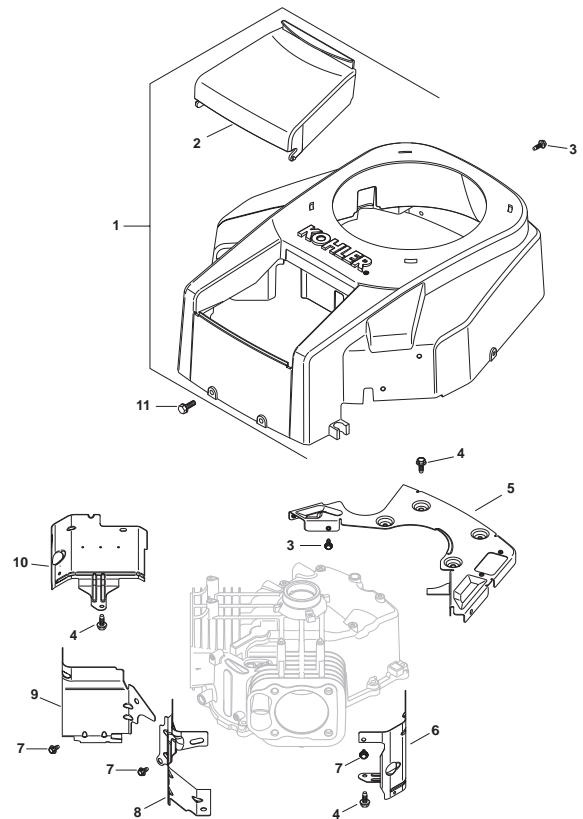
NOTE: All component dimensions given in U.S. inches
1 inch = 25.4 mm

KOHLER ENGINE - MODEL NO. SV735, TYPE NO. 0014

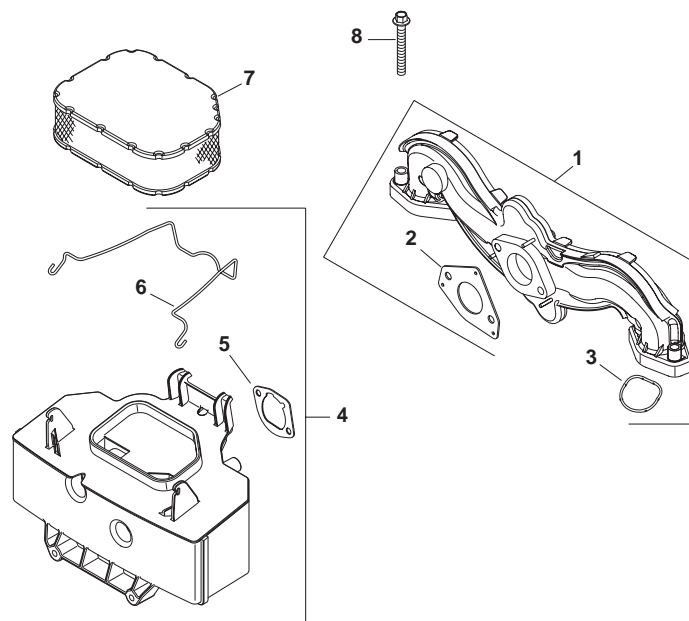
IGNITION/ELECTRICAL



BLOWER HOUSING & BAFFLES



AIR INTAKE



KOHLER ENGINE - MODEL NO. SV735, TYPE NO. 0014

IGNITION/ELECTRICAL 5-32-16

1	531 02 99-70	1	SCREEN, GRASS
2	531 02 95-73	1	SCREW, FLG M10X1.5X45
3	531 02 95-74	1	WASHER, FLAT 13/32"
4	544 93 68-01	1	PLATE, FAN MOUNTING
5	531 02 99-73	1	FAN
6	504 57 57-01	1	FLYWHEEL
7	531 02 95-11	1	KEY, 3/16" X 5/8"
8	531 02 95-83	1	CONNECTOR (3 CONTACT)
9	531 02 97-59	2	SCREW, HVY FLG M5X0.8X16
10	504 57 77-01	1	RECTIFIER-REGULATOR
11	531 02 95-82	1	KIT, 15 AMP STATOR (INCLUDES 25 452 01-S)
12	531 02 97-83	2	CLIP, CABLE
13	531 02 98-87	2	SCREW, TRX HD DRIVE FASTENER
14	531 02 99-75	2	SPARK PLUG, RFI
15	See Note Below	2	MODULE, RFI IGN W/SLEEVE (DSAM)
16	531 02 95-84	4	SCREW, FLG THD FRM M5X0.8X20
17	544 84 34-01	1	MODULE, SPEED ADVANCE
18	544 84 39-01	2	SCREW, THD FRM M4X0.7X10

NOT ILLUSTRATED

531 02 97-54	2	TIE, WIRE
504 57 64-01	1	HARNESS, WIRING
544 93 75-01	2	TERMINAL

BLOWER HOUSING & BAFFLES 6-32-2

1	531 02 99-78	1	KIT, HOUSING BLOWER (INCLUDES 2, 41 037 10-S)
2	531 02 99-79	1	COVER, AIR CLEANER
3	531 02 96-61	8	SCREW, FLG THD FRM M5X0.8X16
4	531 02 97-62	6	SCREW, FLG THD FRM M6X1.0X16
5	531 02 99-80	1	PLATE, BACKING
6	531 02 99-81	1	BAFFLE, CYL BARREL - #2 SIDE
7	531 02 96-55	3	SCREW, FLG THD FRM M5X0.8X10
8	531 02 99-82	1	BAFFLE, VALLEY #2 SIDE
9	531 02 99-83	1	BAFFLE, VALLEY #1 SIDE
10	531 02 99-84	1	BAFFLE, CYL BARREL - #1 SIDE
11	531 02 96-79	2	SCREW, TAP M6X1.7X18

NOT ILLUSTRATED

531 02 99-27	1	NAMEPLATE, SERVICE
--------------	---	--------------------

AIR INTAKE/FILTRATION 10-32-1

1	531 02 98-37	1	MANIFOLD, INTAKE (INCLUDES 2,3)
2	531 02 95-90	1	GASKET, CARBURETOR
3	531 02 97-40	2	O-RING, INTAKE PORT
4	544 84 06-01	1	KIT, AIR CLEANER BASE (INCLUDES 5,6)
5	531 02 97-80	1	GASKET, AIR CLEANER BASE
6	531 02 99-97	1	LATCH, AIR CLEANER ELEMENT
7	531 02 99-02	1	ELEMENT, AIR FILTER
8	531 02 98-41	4	SCREW, FLG M6X1.0X40

KeyNo 15 - MODULE, RFI IGN W/SLEEVE (DSAM)

Before S/N 3609300001 Use Art# 544 84 35-01

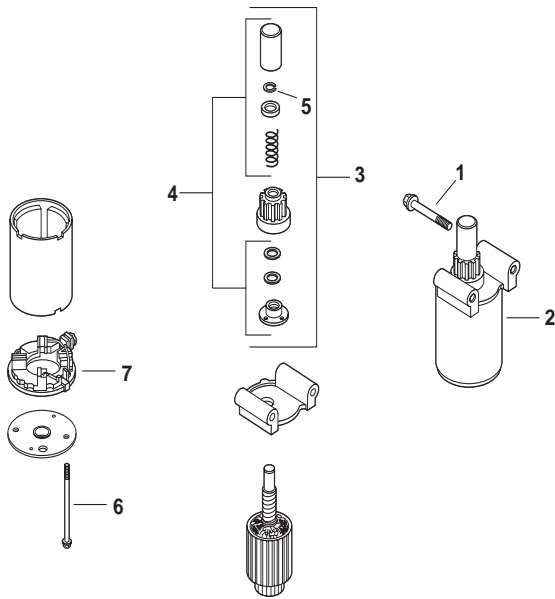
After S/N 3609300011 Use Art# 525 47 14-01

NOTE: All component dimensions given in U.S. inches

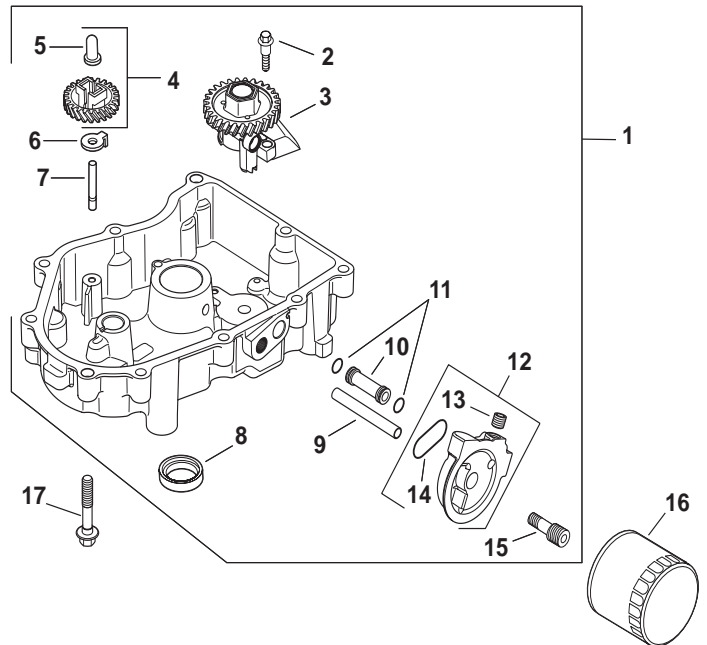
1 inch = 25.4 mm

KOHLER ENGINE - MODEL NO. SV735, TYPE NO. 0014

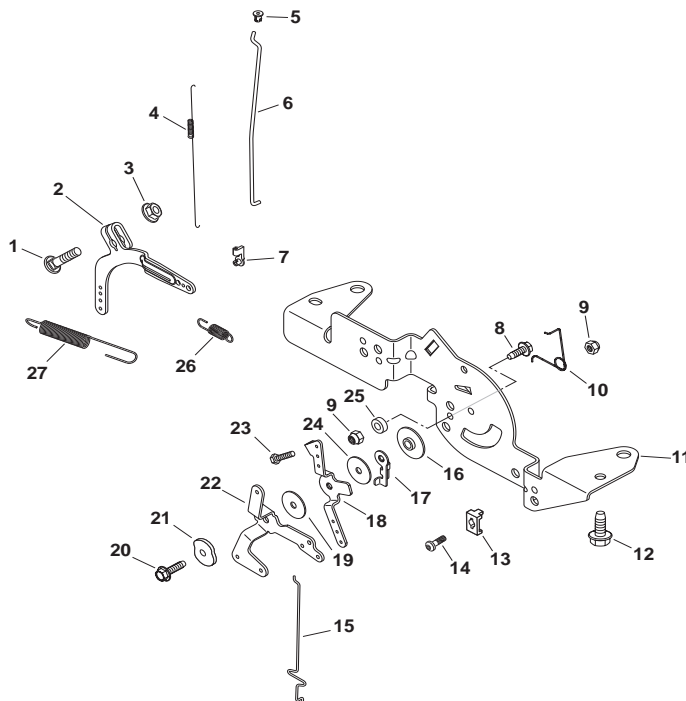
STARTING SYSTEM



OIL PAN/LUBRICATION



ENGINE CONTROLS



KOHLER ENGINE - MODEL NO. SV735, TYPE NO. 0014

STARTING SYSTEM 7-32-1

1	531 02 97-71	2	SCREW, FLG M8X1.25X80
2	531 02 99-85	1	STARTER ASSEMBLY
3	531 02 99-89	1	KIT, DRIVE (INCLUDES 4,5)
4	531 02 99-90	1	KIT, DRIVE PARTS (INCLUDES 5)
5	544 84 10-01	1	RING, RETAINING
6	544 84 38-01	2	BOLT, THRU
7	531 02 99-91	1	COMMUTATOR, END CAP

OIL PAN/LUBRICATION 3-32-1

1	531 02 99-54	1	PAN ASSEMBLY, OIL (INCLUDES 2-15)
2	531 02 99-55	2	SCREW, SHD THD FRM M6x1.0x26.5
3	531 02 99-56	1	PUMP ASSEMBLY, OIL
4	531 02 96-78	1	KIT, GOVERNOR GEAR W/PIN (INCLUDES 5)
5	531 02 95-49	1	PIN, GOVERNOR REGULATING
6	531 02 99-12	1	TAB, LOCKING
7	544 84 03-01	1	SHAFT, GOVERNOR GEAR
8	531 02 96-83	1	SEAL, OIL (PTO END)
9	531 02 99-57	1	TUBE, OIL FEED - FILTER TO PAN
10	544 46 56-01	1	TUBE, OIL FEED - PAN TO FILTER
11	531 02 96-74	2	O-RING, OIL PICK-UP
12	531 02 99-58	1	KIT, ADAPTER OIL FILTER (INCLUDES 13,14)
13	531 02 95-43	1	PLUG, CTSK 1/8"
14	531 02 99-59	1	O-RING, OIL FILTER ADAPTER
15	544 84 09-01	1	NIPPLE, OIL FILTER
16	531 02 97-86	1	FILTER, OIL
17	531 02 96-87	10	SCREW, FLG M8X1.25X45
18	531 02 95-13	1	PLUG, SQ HD PIPE 3/8"

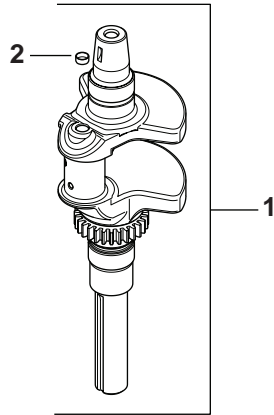
ENGINE CONTROLS 9-32-4

1	531 02 97-97	1	BOLT, RD HD SQ NECK M6X1.0X25
2	531 02 97-98	1	LEVER, GOVERNOR
3	531 02 96-02	1	NUT, FLG M6X1.0
4	531 02 98-00	1	SPRING, LINKAGE
5	531 02 96-26	1	BUSHING, LINKAGE RETAINING
6	531 02 98-02	1	LINKAGE, THROTTLE
7	531 02 96-24	1	BUSHING, THROTTLE LINKAGE
8	531 02 96-61	1	SCREW, FLG THD FRM M5X.8X16
9	531 02 98-05	2	NUT, LOCK M5X.8
10	531 02 98-06	1	SPRING, CHOKE RETURN
11	531 02 99-33	1	BRACKET, CONTROL
12	531 02 97-62	4	SCREW, FLG THD FRM M6X1.0X16
13	531 02 96-13	2	CLAMP, CABLE
14	531 02 96-14	2	SCREW, LBD THD FRM M5x0.8x16
15	531 02 98-21	1	LINKAGE, CHOKE
16	531 02 98-11	1	SPACER, CONTROL ASSEMBLY
17	531 02 98-12	1	LEVER, THROTTLE ACTUATOR
18	531 02 98-15	1	LEVER, THROTTLE CONTROL
19	531 02 98-16	1	WASHER, FLAT 5.5 MM
20	531 02 95-84	1	SCREW, FLG THD FRM M5X.8X20
21	531 02 98-19	1	WASHER, SPRING 1/4"
22	531 02 98-18	1	LEVER, CHOKE
23	531 02 99-95	1	SCREW, HEX HD CAP (W/LOCTITE)
24	531 02 98-13	1	WASHER, FLAT 5 MM
25	504 57 53-01	1	SPACER
26	531 02 98-22	1	SPRING, GOVERNOR
27	531 02 98-23	1	SPRING, GOVERNOR

NOTE: All component dimensions given in U.S. inches
1 inch = 25.4 mm

KOHLER ENGINE - MODEL NO. SV735, TYPE NO. 0014

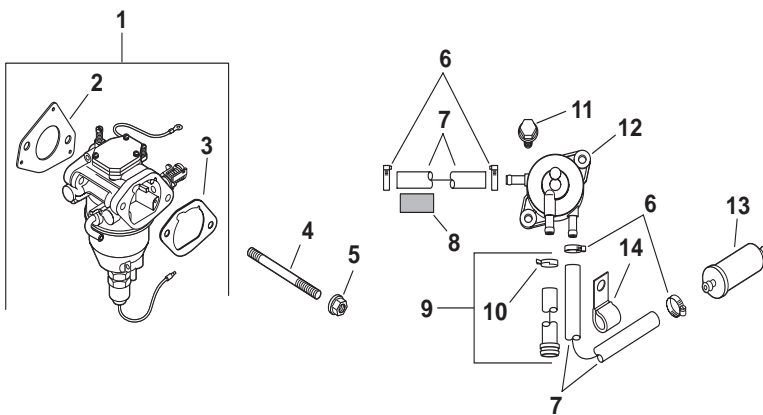
CRANKSHAFT



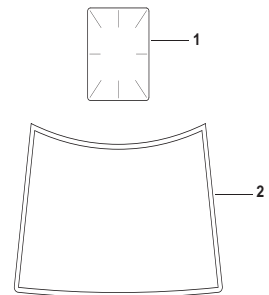
EXHAUST



FUEL SYSTEM



DECALS



Artwork is representative.
Actual labels may differ depending on model and specification number.

KOHLER ENGINE - MODEL NO. SV735, TYPE NO. 0014

CRANKSHAFT 1-32-1

1	544 84 05-01	1	CRANKSHAFT (INCLUDES 2)
2	531 02 96-54	1	PLUG, CUP

FUEL SYSTEM 8-32-8

1	504 57 74-01	1	KIT, CARBURETOR W/GASKETS (INCLUDES 2,3)
2	531 02 95-90	1	GASKET, CARBURETOR
3	531 02 97-80	1	GASKET, AIR CLEANER BASE
4	531 02 99-92	2	STUD, M6X1.0X106
5	531 02 96-02	2	NUT, FLG M6X1.0
6	531 02 96-04	4	CLAMP, HOSE
7	531 02 99-87	1	LINE, FUEL (24"-CUT TO LENGTH)
8	544 46 59-01	1	SLEEVE, ANTI ABRASION
9	531 02 99-88	1	KIT, FUEL PUMP HOSE W/CLAMP (INCLUDES 10)
10	531 02 99-93	1	CLAMP, HOSE
11	531 02 96-79	2	SCREW, TAP M6X1.7X18
12	531 02 97-87	1	PUMP, FUEL
13	531 02 98-62	1	FILTER, FUEL
14	531 02 97-83	1	CLIP, CABLE

NOT ILLUSTRATED

531 02 97-48	1	WASHER, FLAT 1/4"
531 02 97-93	1	KIT, REPAIR OVERHAUL
531 02 97-94	1	KIT, REPAIR SERVICE CHOKE
531 02 97-95	1	KIT, REPAIR SERVICE GASKET
531 02 97-96	1	KIT, REPAIR SOLENOID VALVE

EXHAUST 11-32-2

1	531 02 98-43	2	GASKET, EXHAUST
---	--------------	---	-----------------

DECALS 12-32-18

1	531 02 98-42	1	DECAL, CLEAR LAMINATE
2	504 57 61-01	1	DECAL, 26HP COURGE TWIN (BULLETS)

SHORT BLOCK 42-32-2

544 84 11-01	1	SV710-740 SHORTBLOCK
544 46 61-01	1	GASKET SET

NOTE: All component dimensions given in U.S. inches
1 inch = 25.4 mm