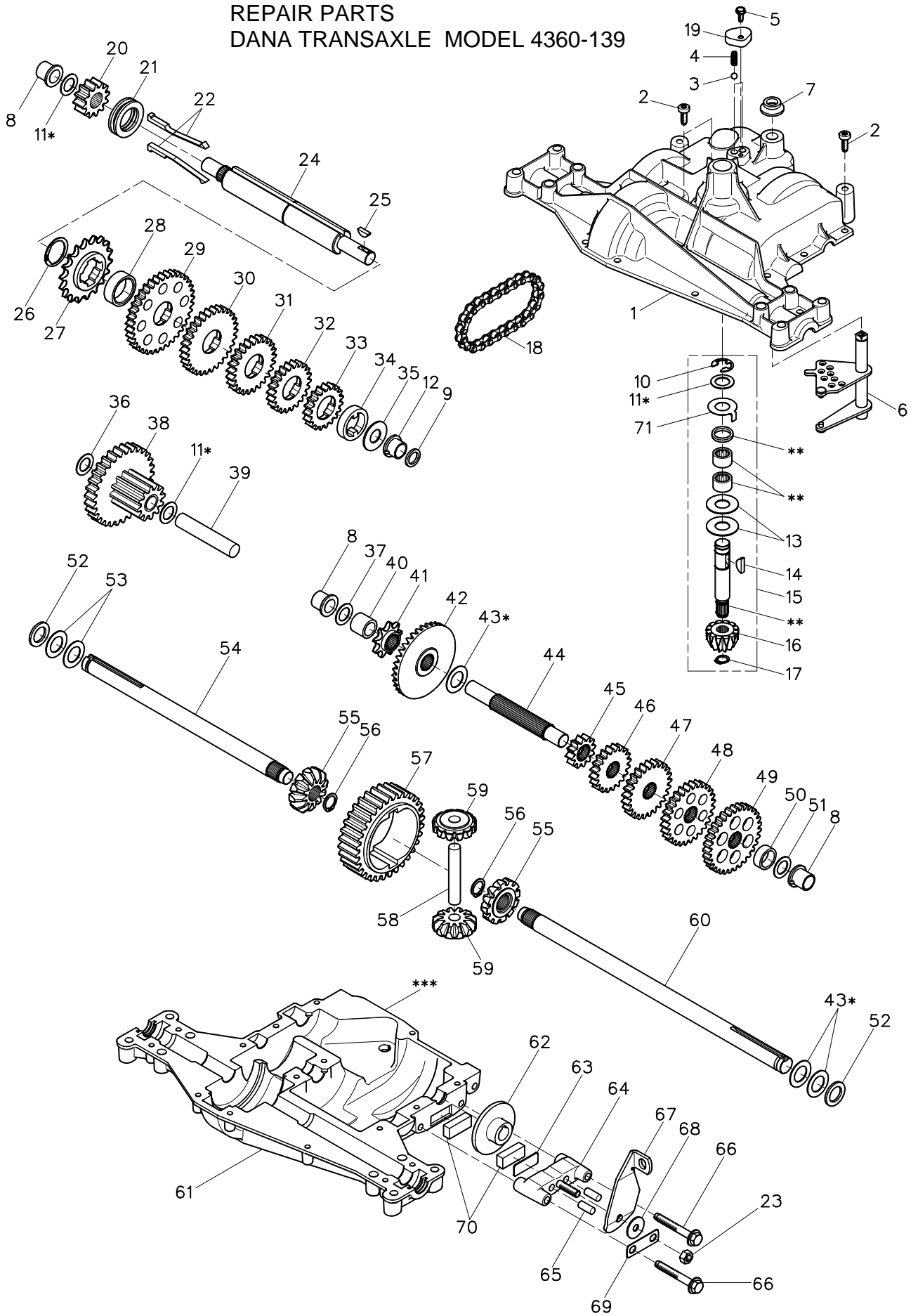


# Dana 4360-139

**Spare parts**  
**Ersatzteile**  
**Pièces détachées**  
**Reserve onderdelen**  
**Repuestos**  
**Reservdelar**

REPAIR PARTS  
DANA TRANSAXLE MODEL 4360-139



KEY NO.	PART NO.	DESCRIPTION	KEY NO.	PART NO.	DESCRIPTION
1	501 35 09-01	Housing, Upper	37	501 34 83-01	Washer, Plain, .632 X 1.00 X .031
2	519 53 78 00	Screw, Tapping, 1/4-20 X .734	38	519 54 14 00	Assy, Gear, Comb., 12T & 30T
3	501 34 90-01	Ball, Detent	39	519 54 15 00	Shaft, Idler
4	501 34 84-01	Spring, Detent	40	501 34 87-01	Spacer, .633 X .87 X .755
5	519 53 81 00	Screw, Tapping, No. 10-24 X .482	41	519 54 18 00	Sprocket, 9T
6	501 34 88-01	Assy, Kit, Shifter	42	501 34 94-01	Gear, Bevel, 36T
7	519 53 83 00	V-Ring	43	501 34 89-01	Assy, Kit, Shim, .750 Shaft
8	519 53 84 00	Bearing, Flange	44	501 34 86-01	Shaft, Drive
9	519 53 85 00	Seal, Oil	45	519 54 21 00	Gear, Spur, 12T
10	519 53 86 00	Ring, Retaining	46	519 54 23 00	Gear, Spur, 20T
11	519 53 87 00	Assy, Kit, Shim, .625 Shaft	47	519 54 24 00	Gear, Spur, 25T
12	519 53 88 00	Bearing, Flange	48	519 54 25 00	Gear, Spur, 28T
13	519 53 89 00	Washer, Plain, .632 X 1.38 X .046	49	501 34 85-01	Gear, Spur, 31T
14	519 53 90 00	Key, Woodruff, No. 606	50	519 54 26 00	Spacer, .781 X 1.00 X .375
15	501 34 96-01	Assy, Kit, Input Shaft	51	519 54 27 00	Washer, Plain, .632 X 1.00 X .060
16	519 53 92 00	Pinion, Bevel, 12T	52	519 54 28 00	Washer, Neoprene
17	519 53 93 00	Ring, Retaining	53	519 54 29 00	Washer, Plain, .758 X 1.25 X .031
18	519 53 94 00	Chain, 24 Pitches	54	501 34 98-01	Axle, LH
19	501 34 93-01	Cover, Detent	55	519 54 31 00	Gear, Miter, 12T, Splined
20	519 53 96 00	Gear, Spur, 12T	56	519 54 32 00	Ring, Retaining
21	519 53 97 00	Collar, Clutch	57	519 54 33 00	Gear, Spur, 32T
22	519 53 98 00	Assy, Kit, Clutch Keys	58	519 54 34 00	Shaft, Cross
23	519 53 99 00	Nut, Lock, 5/16-24	59	519 54 35 00	Gear, Miter, 12T, Idler
24	519 54 00 01	Shaft, Intermediate	60	501 35 06-01	Axle, RH
25	519 54 01 00	Key, Woodruff, No. 61	61	519 54 37 00	Housing, Lower
26	519 54 02 00	Ring, Retaining	62	519 54 38 00	Disc, Brake
27	519 54 03 00	Sprocket, 18T	63	519 54 39 00	Spacer, Brake Puck
28	519 54 04 00	Spacer, 1.131 X 1.45 X .494	64	519 54 40 00	Jaw, Brake
29	519 54 05 00	Gear, Spur, 37T	65	519 54 41 00	Pin, Dowel
30	519 54 07 00	Gear, Spur, 30T	66	519 54 42 00	Screw, Tapping, 5/16-18 X 2.35
31	519 54 08 00	Gear, Spur, 25T	67	501 34 92-01	Lever, Actuating
32	519 54 09 00	Gear, Spur, 22T	68	519 54 44 00	Washer, Plain, .321 X 1.00 X .055
33	501 34 91-01	Gear, Spur, 19T	69	519 54 45 00	Bracket, Anti-Rotation
34	519 54 10 00	Spacer, 1.133 X 1.50 X .375	70	501 34 97-01	Puck, Friction
35	519 54 11 00	Washer, Plain, .640 X 1.37 X .061	71	501 34 95-01	Washer, Anti Rotation
36	519 54 12 00	Washer, Plain, .632 X 1.00 X .046		501 35 08-01	Transaxle Complete

\* Use in various combinations to maintain proper clearances.

\*\* Order Key No. 15.

\*\*\* Silicone Sealant to be applied between Upper and Lower Housings (use Loctite Ultra Gray Silicone 5699 or equivalent).