

Transmission KTM10C

Spare parts

Ersatzteile

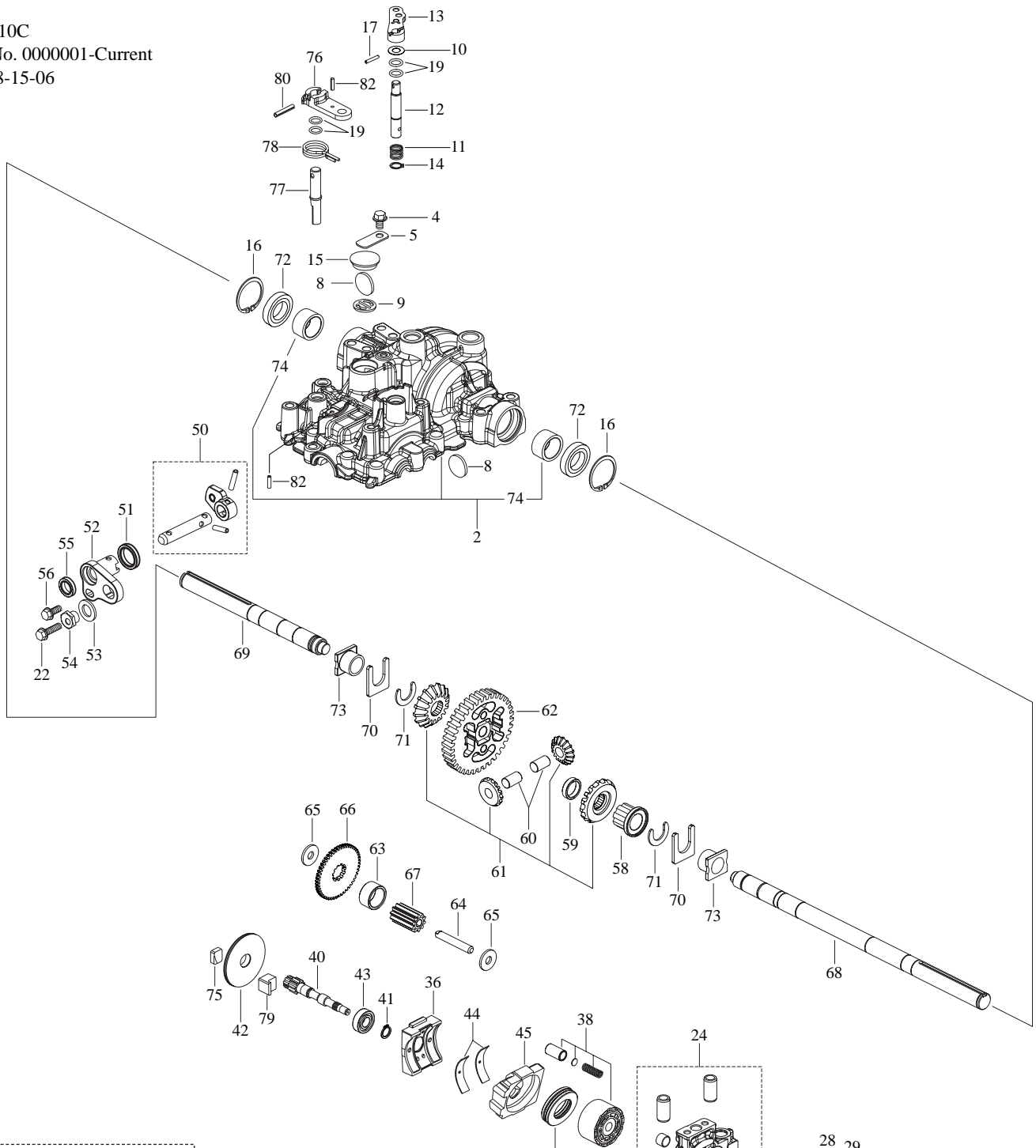
Pièces détachées

Reserve onderdelen

Repuestos

Reservdelar

KTM10C
 Ser. No. 0000001-Current
 Rev. 8-15-06



1— KTM10C Transmission

KTM10C Seal Kit

Kit Includes

- | | |
|-----|-----|
| #15 | #51 |
| #19 | #55 |
| #23 | #72 |
| #28 | #99 |
| #29 | |

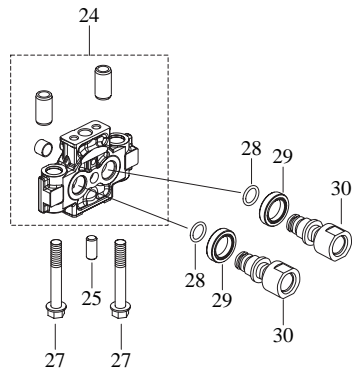
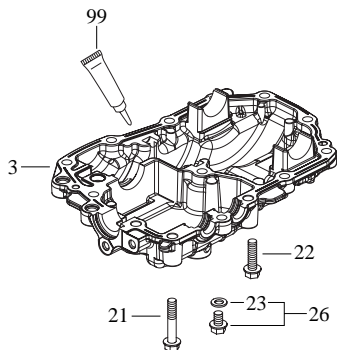
All parts may not be used.

KTM10C Repair Kit

Kit Includes

- | | |
|-----------------|-----|
| #24 | #38 |
| #200 - Seal Kit | |

All parts may not be used.



200—

ID Number	TTC Part No.	Husq.no	Part Description
1	787K0024021	535482801	KTM10C TRANSAXLE
2	187K0024261	502455701	UPPER HOUSING ASSY.
3	187K0024171	502455601	LOWER CASE
4	26106080122	535402852	BOLT 8 * 12
5	187K0024380	502455801	PLATE
8	19216324360	535402829	MAGNET
9	1A646029000	502452001	MAGNET HOLDER
10	19843575630	502460801	WASHER 10.5 * 20 * 1
11	187K0024780	502456201	BYPASS SPRING
12	187K0024760	502456101	BYPASS SHAFT
13	1A632029520	535402817	BYPASS LEVER
14	22242000120	502461201	SNAP RING 12
15	27260300002	502463201	SEALING CAP 30
16	22252000420	502461501	SNAP RING 42
17	22351030020	535402816	SPRING PIN 3.0A * 20
19	24311000120	535414619	O-RING 1A P12
21	26106080452	535414706	BOLT 8 * 45
22	26106080302	502462701	TAPPING BOLT 8 * 30
23	22190080000	506957501	WASHER SEAL 8
24	187K0024560	502455901	CENTER CASE
25	22312100200	502461601	DOWEL PIN 10 * 20
26	26106080122	535402852	BOLT 8 * 12
27	26106100702	502463001	BOLT 10 * 70
28	24315000140	502462101	O-RING P14.0
29	24421203007	502462401	SEAL TC203007
30	187K0024900	502456501	CONNECTOR
36	187K0024821	502456401	THRUST METAL RETAINER
37	1A632024240	502449201	BEARING THS060513
38	168H3029550	502453701	CYLINDER BLOCK CMP
40	187K0025352	502456801	MOTOR SHAFT/GEAR C (9T)
41	19215425310	535402881	SNAP RING S15
42	187K0036330	502459501	BRAKE DISK C
43	168T2025280	535402883	BEARING 6202 RSR C3
44	19215427051	535414686	THRUST METAL
45	187K0024700	502456001	SWASH PLATE
50	187K0029650	502457401	CONTROL SHAFT ASSY
51	24421253506	502462601	SEAL TC253506
52	187K0029710	502457601	CONTROL BUSHING
53	22137160000	502461001	WASHER 16
54	187K0029700	502457501	AJUSTER BUSHING
55	19406527270	535402811	SEAL TC 162606
56	26106080202	535414705	BOLT 8 * 20
58	1A632084271	502449901	DIFFERENTIAL COLLAR 25.4
59	187K0034310	502459101	AXLE COLLAR
60	1A632031810	535414638	DIFFERENTIAL PINION PIN
61	1A632031501	502449401	DIFFERENTIAL GEAR KIT
62	187K0033640	502458301	FINAL GEAR (54T)
63	187K0033260	502457801	FINAL PINION COLLAR
64	1A646033410	535414606	REDUCTION SHAFT
65	19216833420	502460701	WASHER 12 * 32 * 3.2

ID Number	TTC Part No.	Husq.no	Part Description
66	187K0033472	502457901	REDUCTION GEAR C (47T)
67	1A646033531	502452701	FINAL PINION GEAR (10T)
68	187K0034280	502458801	AXLE SHAFT C/L, W/O DL
69	187K0034270	502458701	AXLE SHAFT C/S, W/O DL
70	1A632034290	535414645	THRUST WASHER
71	19216734160	535414696	RETAINING RING 23
72	19215434270	535402810	SEAL S 25.4 * 42 * 8
73	19216734240	535414697	BUSHING
74	19215434240	535414690	BUSHING 25.4
75	1A646036121	535414616	BRAKE SHOE
76	1A646036160	535402838	BRAKE LEVER
77	1A646036171	535414617	BRAKE SHAFT
78	1A646036180	502452801	BRAKE RETURN SPRING
79	1A646036200	535414618	BRAKE ACTUATOR
80	22351050032	535402840	SPRING PIN 5 * 32
82	22351040016	535402841	SPRING PIN 4 * 16
99	part of seal kit	#N/A	SEALANT
200	187K0099000	502459701	SEAL KIT