

# Dana 6800-1

**Spare parts**

**Ersatzteile**

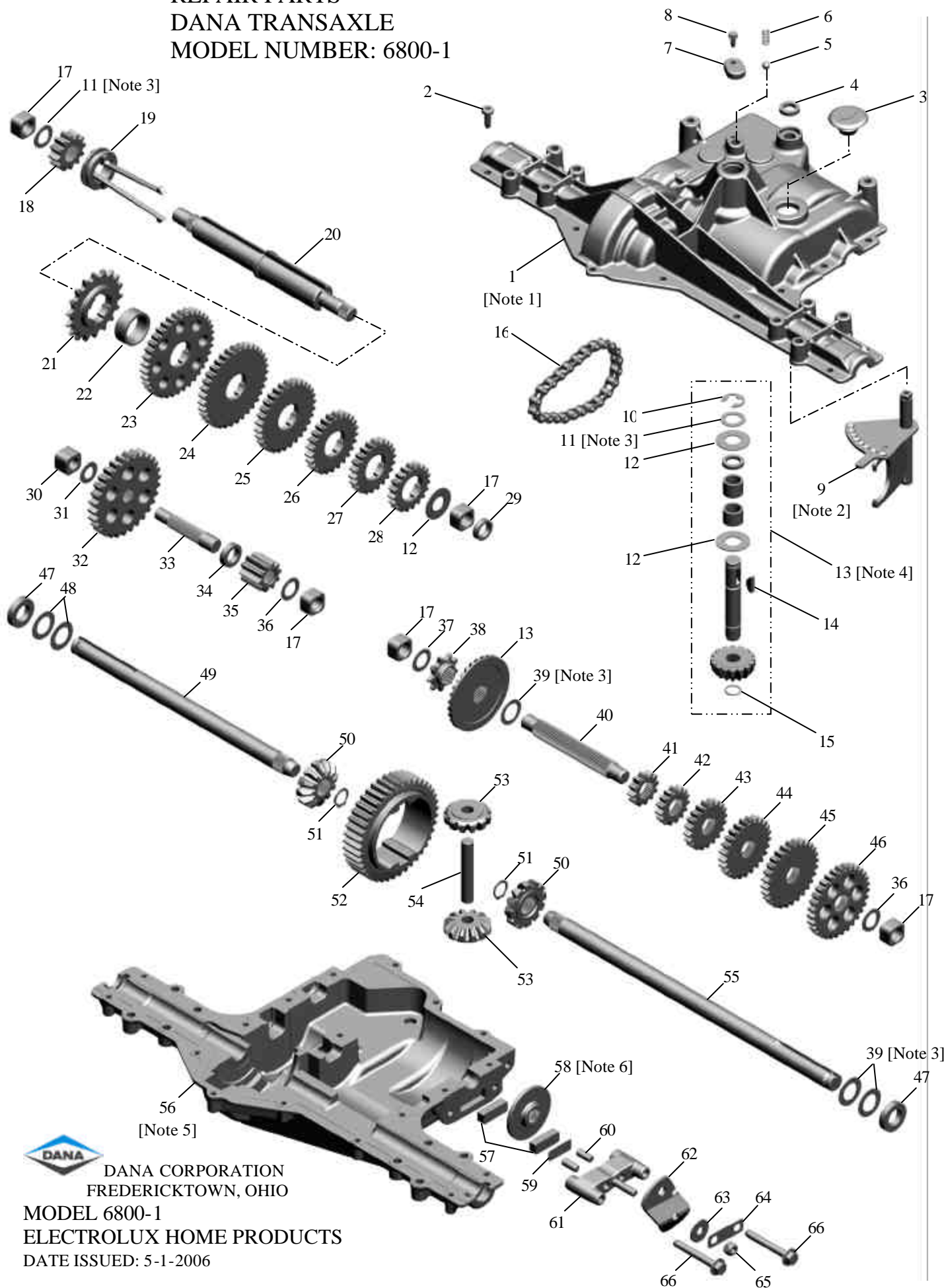
**Pièces détachées**

**Reserve onderdelen**

**Repuestos**

**Reservdelar**

REPAIR PARTS  
 DANA TRANSAXLE  
 MODEL NUMBER: 6800-1



DANA CORPORATION  
 FREDERICKTOWN, OHIO

MODEL 6800-1  
 ELECTROLUX HOME PRODUCTS  
 DATE ISSUED: 5-1-2006

Key No.	DANA Part No.	Qty.	Description	Husqvarna Part No.
1	6755	1 [1]	Assy, Kit, Housing, Upper	502 47 48-01
2	1919	18	Screw, Tapping, 1/4-20 X .734	519 53 78-00
3	41356	1	Plug, Rubber	502 47 49-01
4	7089	1	Seal, Oil	502 47 50-01
5	5947	1	Ball, Detent	519 53 79-00
6	5948	1	Spring, Detent	519 53 80-00
7	7101	1	Cover, Detent	502 47 51-01
8	840052	1	Screw, Tapping, No. 10-24 X .482	519 53 81-00
9	6670	1 [2]	Assy, Shifter	502 47 52-01
10	1106	1	Ring, Retaining	519 53 86-00
11	4689	2 [3]	Assy, Kit, Shim, .625 Shaft	519 53 87-00
12	3876	3	Washer, Plain, .632 X 1.38 X .046	519 53 89-00
13	6753	1 [4]	Assy, Kit, Input Shaft & Bevel & Pini	502 47 53-01
14	1746	1	Key, Woodruff, No. 606	519 53 90-00
15	3956	1	Ring, Retaining	502 47 54-01
16	3625	1	Chain, 24 Pitches	519 53 94-00
17	7091	5	Bushing, .626 X .874 Sq X .560	502 47 55-01
18	7080	1	Gear, Spur, 12T	502 47 56-01
19	6692	1	Assy, Collar, Shift	502 47 57-01
20	7086	1	Shaft, Intermediate, RH Brake	502 47 58-01
21	3830	1	Sprocket, 18T	519 54 03 00
22	7094	1	Spacer, 1.131 X 1.45 X .580	502 47 59-01
23	5365	1	Gear, Spur, 37T	519 54 05-00
24	5407	1	Gear, Spur, 35T	519 54 06-00
25	3867	1	Gear, Spur, 30T	519 54 07-00
26	3783	1	Gear, Spur, 25T	519 54 08-00
27	3869	1	Gear, Spur, 22T	519 54 09-00
28	5202	1	Gear, Spur, 19T	501 34 91-01
29	7115	1	Seal, Oil	502 47 60-01
30	7092	1	Bushing, .501 X .874 Sq X .650	502 47 61-01
31	3890	1	Washer, Plain, .505 X .942 X .040	502 47 62-01
32	7079	1	Gear, Spur, 30T	502 47 63-01
33	7083	1	Shaft, Idler	502 47 65-01
34	3410	1	Spacer, .633 X 1.00 X .260	502 47 66-01
35	5180	1	Gear, Spur, 10T	502 47 67-01
36	1425	2	Washer, Plain, .632 X 1.00 X .046	519 54 12-00
37	1424	1	Washer, Plain, .632 X 1.00 X .036	502 47 68-01
38	3645	1	Sprocket, 9T	519 54 18-00
39	4691	2 [3]	Assy, Kit, Shim, .750 Shaft	501 34 89-01
40	7084	1	Shaft, Drive	502 47 69-01

Key No.	DANA Part No.	Qty.	Description	Husqvarna Part No.
41	5364	1	Gear, Spur, 12T	519 54 21-00
42	5406	1	Gear, Spur, 15T	519 54 22-00
43	3866	1	Gear, Spur, 20T	519 54 23-00
44	3719	1	Gear, Spur, 25T	519 54 24-00
45	3868	1	Gear, Spur, 28T	519 54 25-00
46	3683	1	Gear, Spur, 31T	501 34 85-01
47	7088	2	Seal, Oil	502 47 70-01
48	3184	2	Washer, Plain, .758 X 1.25 X .031	519 54 29-00
49	7163-1	1	Axle LH	502 47 78-01
50	5622	2	Gear, Miter, 12T, Splined	519 54 31-00
51	5270	2	Ring, Retaining	519 54 32-00
52	5181	1	Gear, Spur, 41T	502 47 71-01
53	5623	2	Gear, Miter, 12T, Idler	519 54 35-00
54	3919	1	Shaft, Cross	519 54 34-00
55	7163-2	1	Axle RH	502 47 79-01
56	7071-A	1 [5]	Housing, Lower	502 47 72-01
57	6754	1	Assy, Kit, Friction Puck	502 47 73-01
58	7103	1 [6]	Disc, Brake	502 47 74-01
59	3758	1	Spacer, Brake Puck	502 47 75-01
60	3843	2	Pin, Dowel	519 54 41-00
61	5554	1	Jaw, Brake	519 54 40-00
62	7169	1	Lever, Actuating	502 47 76-01
63	3760	1	Washer, Plain, .321 X 1.00 X .055	519 54 44-00
64	5555	1	Bracket, Anti-Rotation	519 54 45-00
65	3847	1	Nut, Lock, 5/16-24	519 53 99-00
66	5562	2	Screw, Tapping, 5/16-18	519 54 42-00
Not in list	6800-1	1	Transaxle Complete	502 47 80-01

Notes:

[1] Includes 7072, 5272, 7101, 840052, 7057, 7089.

[2] Anti-Seize lubricant to be applied to top surface of 6670 Shifter Assembly (use Bostik Never-Seez or equivalent).

[3] Use in various combinations to maintain proper clearances.

[4] Includes 1106, 1746, 3876, 3956, 4689, 5272, 7073, 7074, 7057.

[5] Silicone Sealant to be applied between Upper and Lower Housings (use Loctite Ultra Gray Silicone 5699 or equivalent).

[6] Anti-Seize lubricant to be applied to id of 7103 Brake Disc (use Bostik Never-Seez or equivalent).

[7] Refill Transaxle with (10) ounces 80W90 gear lube.