

# Dana 6800-5

**Spare parts**

**Ersatzteile**

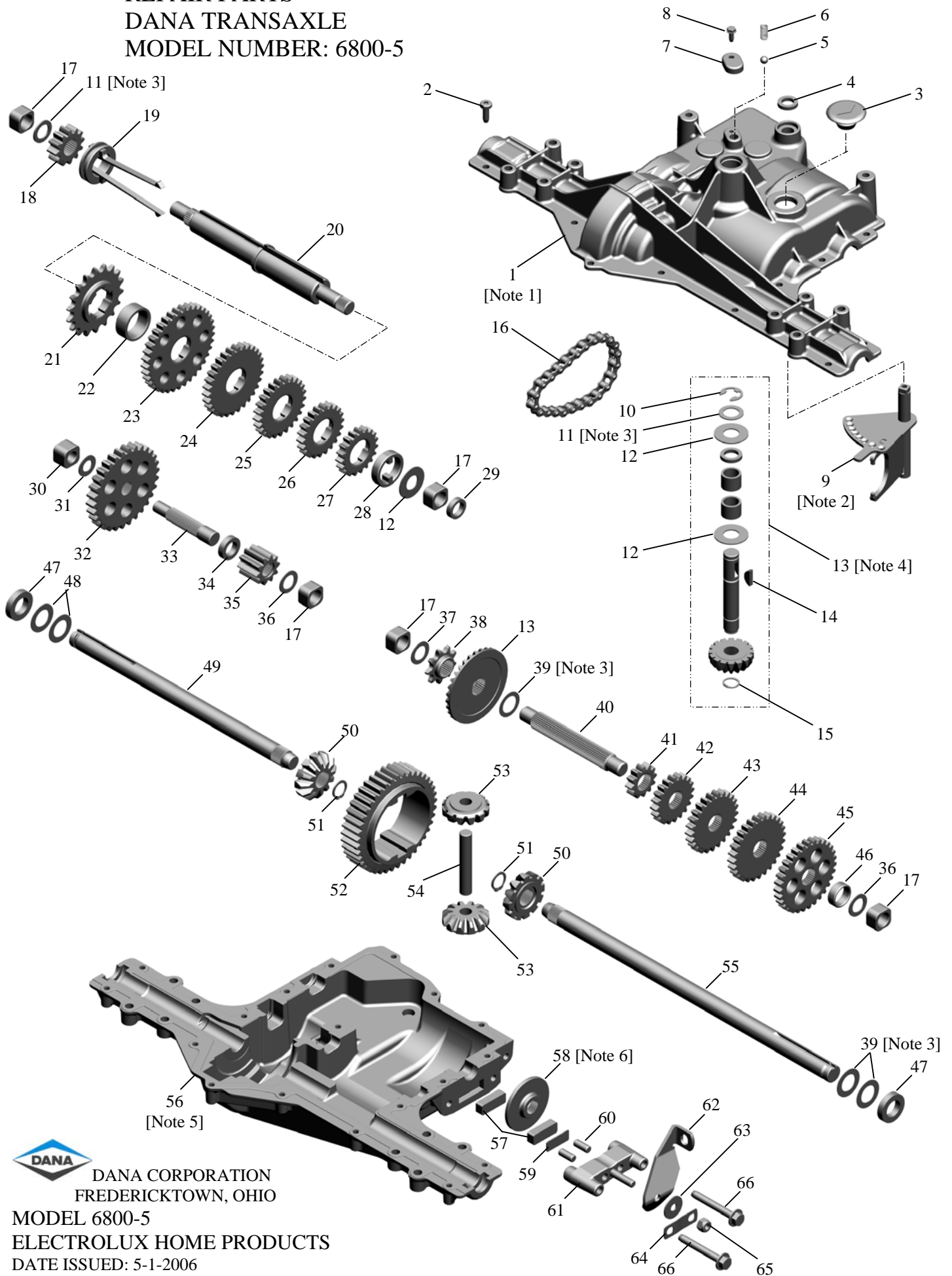
**Pièces détachées**

**Reserve onderdelen**

**Repuestos**

**Reservdelar**

REPAIR PARTS  
 DANA TRANSAXLE  
 MODEL NUMBER: 6800-5



DANA CORPORATION  
 FREDERICKTOWN, OHIO

MODEL 6800-5  
 ELECTROLUX HOME PRODUCTS  
 DATE ISSUED: 5-1-2006

| Key No. | DANA Part No. | Qty.  | Description                             | Husqvarna Part No. |
|---------|---------------|-------|---|--------------------|
| 1       | 6755          | 1 [1] | Assy, Kit, Housing, Upper               | 502 47 48-01       |
| 2       | 1919          | 18    | Screw, Tapping, 1/4-20 X .734           | 519 53 78 00       |
| 3       | 41356         | 1     | Plug, Rubber                            | 502 47 49-01       |
| 4       | 7089          | 1     | Seal, Oil                               | 502 47 50-01       |
| 5       | 5947          | 1     | Ball, Detent                            | 519 53 79 00       |
| 6       | 5948          | 1     | Spring, Detent                          | 519 53 80 00       |
| 7       | 7101          | 1     | Cover, Detent                           | 502 47 51-01       |
| 8       | 840052        | 1     | Screw, Tapping, No. 10-24 X .482        | 519 53 81 00       |
| 9       | 6670          | 1 [2] | Assy, Shifter                           | 502 47 52-01       |
| 10      | 1106          | 1     | Ring, Retaining                         | 519 53 86 00       |
| 11      | 4689          | 2 [3] | Assy, Kit, Shim, .625 Shaft             | 519 53 87 00       |
| 12      | 3876          | 3     | Washer, Plain, .632 X 1.38 X .046       | 519 53 89 00       |
| 13      | 6753          | 1 [4] | Assy, Kit, Input Shaft & Bevel & Pinion | 502 47 53-01       |
| 14      | 1746          | 1     | Key, Woodruff, No. 606                  | 519 53 90 00       |
| 15      | 3956          | 1     | Ring, Retaining                         | 502 47 54-01       |
| 16      | 3625          | 1     | Chain, 24 Pitches                       | 519 53 94 00       |
| 17      | 7091          | 5     | Bushing, .626 X .874 Sq X .560          | 502 47 55-01       |
| 18      | 7080          | 1     | Gear, Spur, 12T                         | 502 47 56-01       |
| 19      | 6692          | 1     | Assy, Collar, Shift                     | 502 47 57-01       |
| 20      | 7086          | 1     | Shaft, Intermediate, RH Brake           | 502 47 58-01       |
| 21      | 3830          | 1     | Sprocket, 18T                           | 519 54 03 00       |
| 22      | 7094          | 1     | Spacer, 1.131 X 1.45 X .580             | 502 47 59-01       |
| 23      | 5365          | 1     | Gear, Spur, 37T                         | 519 54 05 00       |
| 24      | 3867          | 1     | Gear, Spur, 30T                         | 519 54 07-00       |
| 25      | 3783          | 1     | Gear, Spur, 25T                         | 519 54 08-00       |
| 26      | 3869          | 1     | Gear, Spur, 22T                         | 519 54 09-00       |
| 27      | 5202          | 1     | Gear, Spur, 19T                         | 501 34 91-01       |
| 28      | 5027          | 1     | Spacer, 1.133 X 1.50 X .375             | 519 54 10-00       |
| 29      | 7115          | 1     | Seal, Oil                               | 502 47 60-01       |
| 30      | 7092          | 1     | Bushing, .501 X .874 Sq X .650          | 502 47 61-01       |
| 31      | 3890          | 1     | Washer, Plain, .505 X .942 X .040       | 502 47 62-01       |
| 32      | 7079          | 1     | Gear, Spur, 30T                         | 502 47 63-01       |
| 33      | 7083          | 1     | Shaft, Idler                            | 502 47 65-01       |
| 34      | 3410          | 1     | Spacer, .633 X 1.00 X .260              | 502 47 66-01       |
| 35      | 5180          | 1     | Gear, Spur, 10T                         | 502 47 67-01       |
| 36      | 1425          | 2     | Washer, Plain, .632 X 1.00 X .046       | 519 54 12 00       |
| 37      | 1424          | 1     | Washer, Plain, .632 X 1.00 X .036       | 502 47 77-01       |
| 38      | 3645          | 1     | Sprocket, 9T                            | 519 54 18 00       |
| 39      | 4691          | 2 [3] | Assy, Kit, Shim, .750 Shaft             | 501 34 89-01       |
| 40      | 7084          | 1     | Shaft, Drive                            | 502 47 69-01       |
| 41      | 5364          | 1     | Gear, Spur, 12T                         | 519 54 21 00       |
| 42      | 3866          | 1     | Gear, Spur, 20T                         | 519 54 23-00       |
| 43      | 3719          | 1     | Gear, Spur, 25T                         | 519 54 24-00       |
| 44      | 3868          | 1     | Gear, Spur, 28T                         | 519 54 25-00       |
| 45      | 3683          | 1     | Gear, Spur, 31T                         | 501 34 85-01       |

| Key No.     | DANA Part No. | Qty.  | Description                       | Husqvarna Part No. |
|-------------|---------------|-------|-----------------------------------|--------------------|
| 46          | 3714          | 1     | Spacer, 1.133 X 1.50 X .375       | 519 54 26-00       |
| 47          | 7088          | 2     | Seal, Oil                         | 502 47 70-01       |
| 48          | 3184          | 2     | Washer, Plain, .758 X 1.25 X .031 | 519 54 29 00       |
| 49          | 7163-1        | 1     | Axle LH                           | 502 47 78-01       |
| 50          | 5622          | 2     | Gear, Miter, 12T, Splined         | 519 54 31 00       |
| 51          | 5270          | 2     | Ring, Retaining                   | 519 54 32 00       |
| 52          | 5181          | 1     | Gear, Spur, 41T                   | 502 47 71-01       |
| 53          | 5623          | 2     | Gear, Miter, 12T, Idler           | 519 54 35 00       |
| 54          | 3919          | 1     | Shaft, Cross                      | 519 54 34 00       |
| 55          | 7163-2        | 1     | Axle RH                           | 502 47 79-01       |
| 56          | 7071-A        | 1 [5] | Housing, Lower                    | 502 47 72-01       |
| 57          | 6754          | 1     | Assy, Kit, Friction Puck          | 502 47 73-01       |
| 58          | 7103          | 1 [6] | Disc, Brake                       | 502 47 74-01       |
| 59          | 3758          | 1     | Spacer, Brake Puck                | 502 47 75-01       |
| 60          | 3843          | 2     | Pin, Dowel                        | 519 54 41-00       |
| 61          | 5554          | 1     | Jaw, Brake                        | 519 54 40-00       |
| 62          | 5285          | 1     | Lever, Actuating                  | 501 34 92-01       |
| 63          | 3760          | 1     | Washer, Plain, .321 X 1.00 X .055 | 519 54 44 00       |
| 64          | 5555          | 1     | Bracket Anti Rotation             | 519 54 45 00       |
| 65          | 3847          | 1     | Nut, Lock, 5/16-24                | 519 53 99 00       |
| 66          | 5562          | 2     | Screw                             | 519 54 42 00       |
| Not in list | 6800-5        | 1     | Transaxle Complete                | 502 47 84-01       |

Notes:

[1] Includes 7072, 5272, 7101, 840052, 7057, 7089.

[2] Anti-Seize lubricant to be applied to top surface of 6670 Shifter Assembly (use Bostik Never-Seez or equivalent).

[3] Use in various combinations to maintain proper clearances.

[4] Includes 1106, 1746, 3876, 3956, 4689, 5272, 7073, 7074, 7057.

[5] Silicone Sealant to be applied between Upper and Lower Housings (use Loctite Ultra Gray Silicone 5699 or equivalent).

[6] Anti-Seize lubricant to be applied to id of 7103 Brake Disc (use Bostik Never-Seez or equivalent).

[7] Refill Transaxle with (10) ounces 80W90 gear lube.