

Rotary Broom

Spare parts

Ersatzteile

Pièces détachées

Reserve onderdelen

Repuestos

Reservdelar

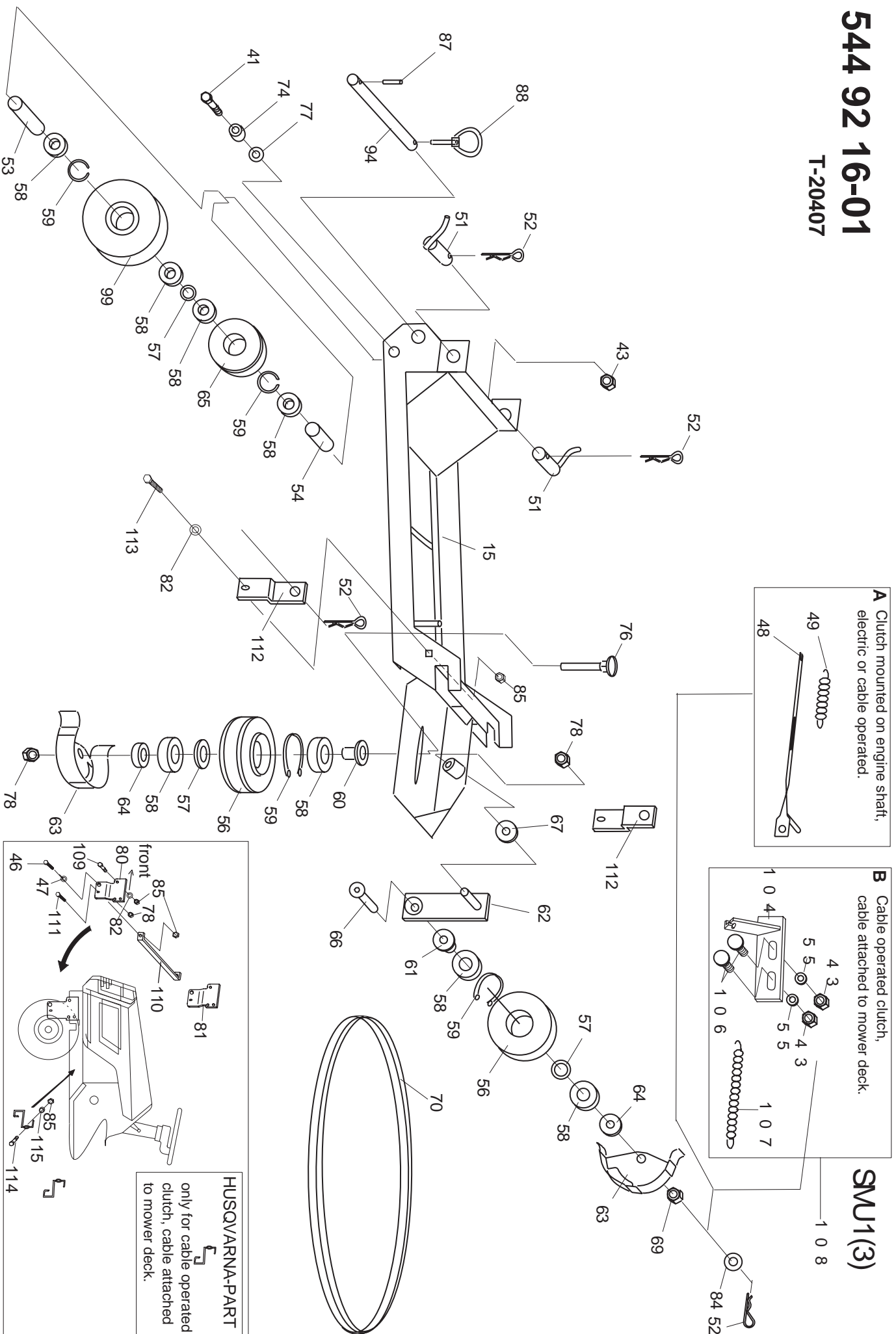
| Pos | Part number | Part name | Qty | Pos | Part number | Part name | Qty |
|-----|--------------|----------------------|-----|-----|--------------|----------------|-----|
| 1 | 531 02 11-16 | Frame | 1 | 44 | 531 02 11-31 | Screw | 2 |
| 2 | 535 46 66-48 | Weldment | 1 | 45 | 531 00 51-87 | Screw, Special | 1 |
| 3 | 531 00 51-52 | Roller Shaft | 1 | 46 | 535 46 66-40 | Screw | 2 |
| 4 | 531 00 51-53 | Brush Ring | 26 | 47 | 531 02 12-55 | Washer | 3 |
| 5 | 531 00 51-54 | Collar, Plastic | 25 | 48 | 531 00 52-80 | Belt Tightener | 1 |
| 6 | 531 00 51-55 | Flange | 1 | 49 | 531 00 52-03 | Spring | 1 |
| 7 | 531 00 51-08 | Bearing, Flange | 2 | 50 | 531 02 11-33 | Screw | 1 |
| 8 | 531 00 51-57 | Chain Tightener | 1 | 51 | 531 02 11-34 | Pin | 2 |
| 9 | 531 00 51-58 | Chain Wheel | 1 | 52 | 531 00 51-43 | Pin, Spring | 3 |
| 10 | 531 02 11-18 | Collar | 1 | 53 | 531 02 11-35 | Collar | 1 |
| 11 | 531 02 11-51 | Circlip | 1 | 54 | 531 02 11-36 | Collar | 1 |
| 12 | 531 00 51-60 | Chain Wheel | 1 | 55 | 531 02 11-37 | Washer | 6 |
| 13 | 531 00 51-61 | Drive Shaft | 1 | 56 | 531 00 52-61 | Pulley | 2 |
| 14 | 531 00 52-20 | Key | 1 | 57 | 531 00 51-97 | Collar | 3 |
| 15 | 535 46 66-56 | Frame | 1 | 58 | 531 02 11-38 | Bearing | 8 |
| 16 | 531 02 11-20 | Belt Guard | 1 | 59 | 531 00 51-98 | Circlip | 4 |
| 17 | 531 02 11-21 | Chain Guard | 1 | 60 | 531 00 52-89 | Collar | 1 |
| 18 | 531 02 11-22 | Chain Wheel | 1 | 61 | 531 00 52-90 | Collar | 1 |
| 19 | 531 00 51-67 | Support Shaft, Wheel | 2 | 62 | 531 00 52-83 | Support | 1 |
| 20 | 531 02 11-23 | Screw, Special | 1 | 63 | 531 00 52-85 | Guide, Belt | 2 |
| 21 | 531 00 51-69 | Bushing, Plastic | 2 | 64 | 531 00 52-86 | Collar | 2 |
| 22 | 531 00 51-70 | Support, Wheel | 2 | 65 | 531 02 11-39 | Pulley | 1 |
| 23 | 531 00 51-71 | Pin, Split | 2 | 66 | 531 02 11-40 | Screw | 1 |
| 24 | 531 00 51-72 | Support Wheel | 2 | 67 | 531 00 52-65 | Collar | 1 |
| 25 | 531 00 51-73 | Guard, Support Wheel | 4 | 68 | 535 46 66-60 | Weldment, Lift | 1 |
| 26 | 531 02 11-24 | Drive Chain | 1 | 69 | 531 02 11-42 | Nut | 1 |
| 27 | 531 00 51-75 | Pulley | 1 | 70 | 535 46 66-30 | V-Belt | 1 |
| 28 | 531 00 51-76 | Circlip | 1 | 71 | 531 00 51-41 | Grip | 1 |
| 29 | 531 00 51-12 | Bearing | 1 | 72 | 531 00 52-12 | Screw | 2 |
| 30 | 531 00 51-77 | Screw | 2 | 73 | 531 02 11-44 | Screw | 3 |
| 31 | 531 00 51-78 | Pin | 1 | 74 | 531 02 11-45 | Washer | 2 |
| 32 | 531 00 51-79 | Universal Joint | 1 | 75 | 531 02 11-46 | Screw | 4 |
| 33 | 531 00 51-80 | Guard, Drive Shaft | 1 | 76 | 531 00 52-91 | Screw, Lock | 1 |
| 34 | 531 00 51-81 | Bearing | 1 | 77 | 531 02 11-47 | Washer | 2 |
| 35 | 531 00 51-82 | Clamp | 1 | 78 | 531 02 11-48 | Nut, Lock | 5 |
| 36 | 531 00 51-83 | Support | 1 | 79 | 531 02 11-49 | Screw | 1 |
| 38 | 535 46 66-59 | Weldment, Lift | 1 | 80 | 535 46 66-34 | Mounting frame | 1 |
| 40 | 531 02 11-27 | Screw | 3 | 81 | 535 46 66-33 | Mounting frame | 1 |
| 41 | 531 02 11-28 | Screw | 5 | 82 | 531 02 11-84 | Washer | 13 |
| 42 | 531 02 11-29 | Nut | 6 | | | | |
| 43 | 531 02 11-30 | Nut, Lock | 10 | 84 | 531 02 11-85 | Washer | 1 |

| Pos | Part number | Part name | Qty | Pos | Part number | Part name | Qty |
|-----|--------------|----------------------|-----|-----|-------------|-----------|-----|
| 85 | 531 02 12-19 | Nut, Lock | 16 | | | | |
| 87 | 531 00 52-16 | Pin, Spring | 2 | | | | |
| 89 | 531 02 11-74 | Screw | 1 | | | | |
| 91 | 531 02 11-86 | Washer | 1 | | | | |
| 92 | 531 02 11-87 | Circlip | 1 | | | | |
| 93 | 531 02 11-88 | Bearing | 2 | | | | |
| 94 | 531 00 52-21 | Shaft | 1 | | | | |
| 95 | 531 00 52-27 | Rubber | 1 | | | | |
| 96 | 531 00 52-29 | Plate | 1 | | | | |
| 97 | 531 00 52-26 | Frame | 1 | | | | |
| 98 | 531 00 52-28 | Screw | 6 | | | | |
| 99 | 531 00 51-66 | Pulley | 1 | | | | |
| 100 | 531 02 11-90 | Drive Chain | 1 | | | | |
| 101 | 531 02 12-33 | Decal | 1 | | | | |
| 102 | 531 02 12-34 | Decal, Street Brush | 1 | | | | |
| 104 | 535 46 66-62 | Mounting Plate | 1 | | | | |
| 106 | 531 02 11-72 | Screw (carriage bolt | 2 | | | | |
| 107 | 531 02 12-68 | Spring | 1 | | | | |
| 108 | 531 02 12-70 | Kit for cable clutch | 0 | | | | |
| 109 | 535 41 50-45 | Screw | 2 | | | | |
| 110 | 535 46 66-37 | Mounting plate | 1 | | | | |
| 111 | 531 02 11-99 | Screw | 2 | | | | |
| 112 | 535 46 66-61 | Mounting plate | 2 | | | | |
| 113 | 535 41 50-43 | Screw, Lock | 2 | | | | |
| 114 | 531 02 12-59 | Screw | 2 | | | | |
| 115 | 535 46 66-63 | Collar | 2 | | | | |
| 116 | 531 02 12-52 | Screw, Lock | 1 | | | | |
| 117 | 535 46 66-66 | Collar | 1 | | | | |

544 92 16-01

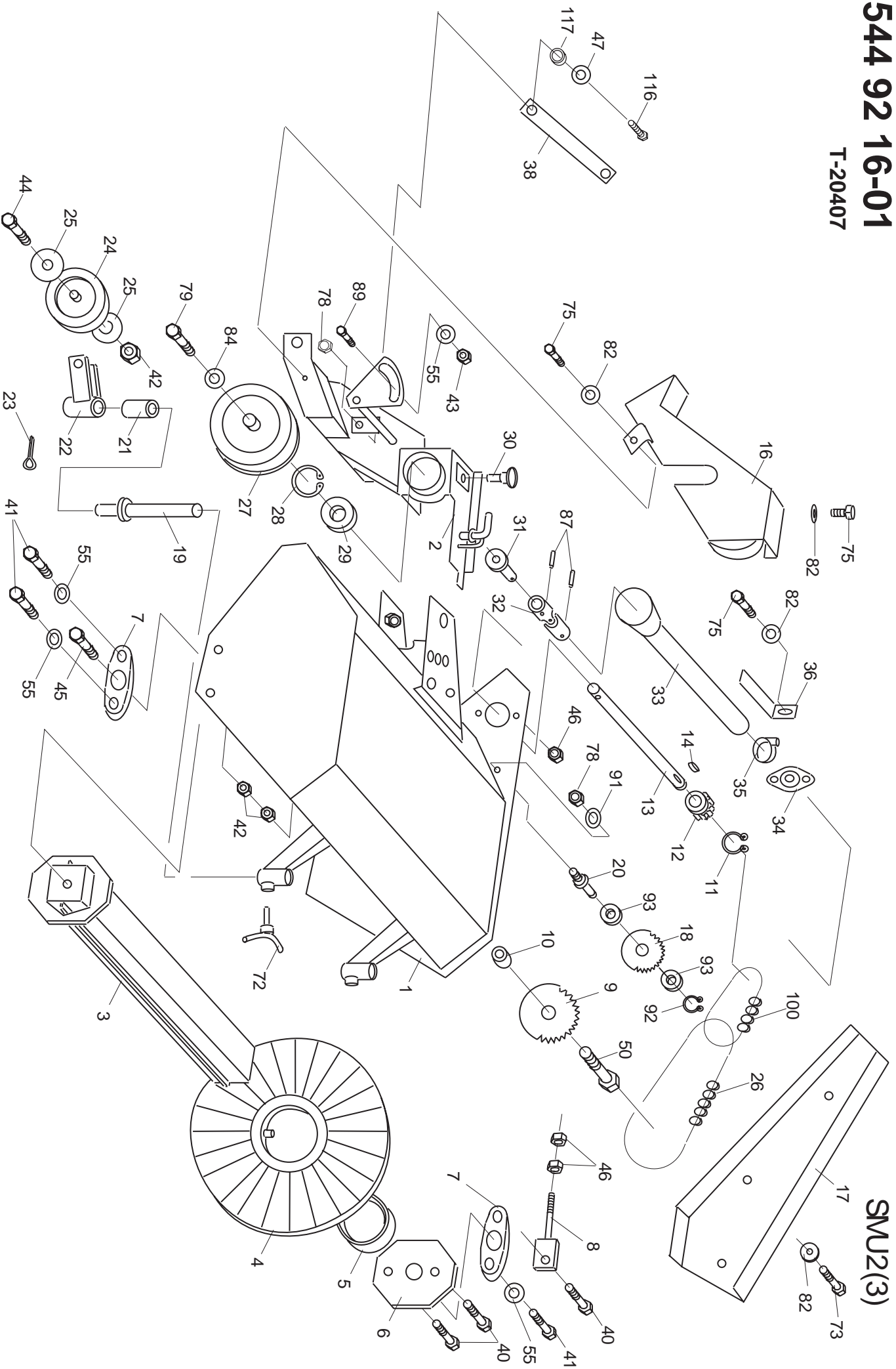
T-20407

SMU1(3)



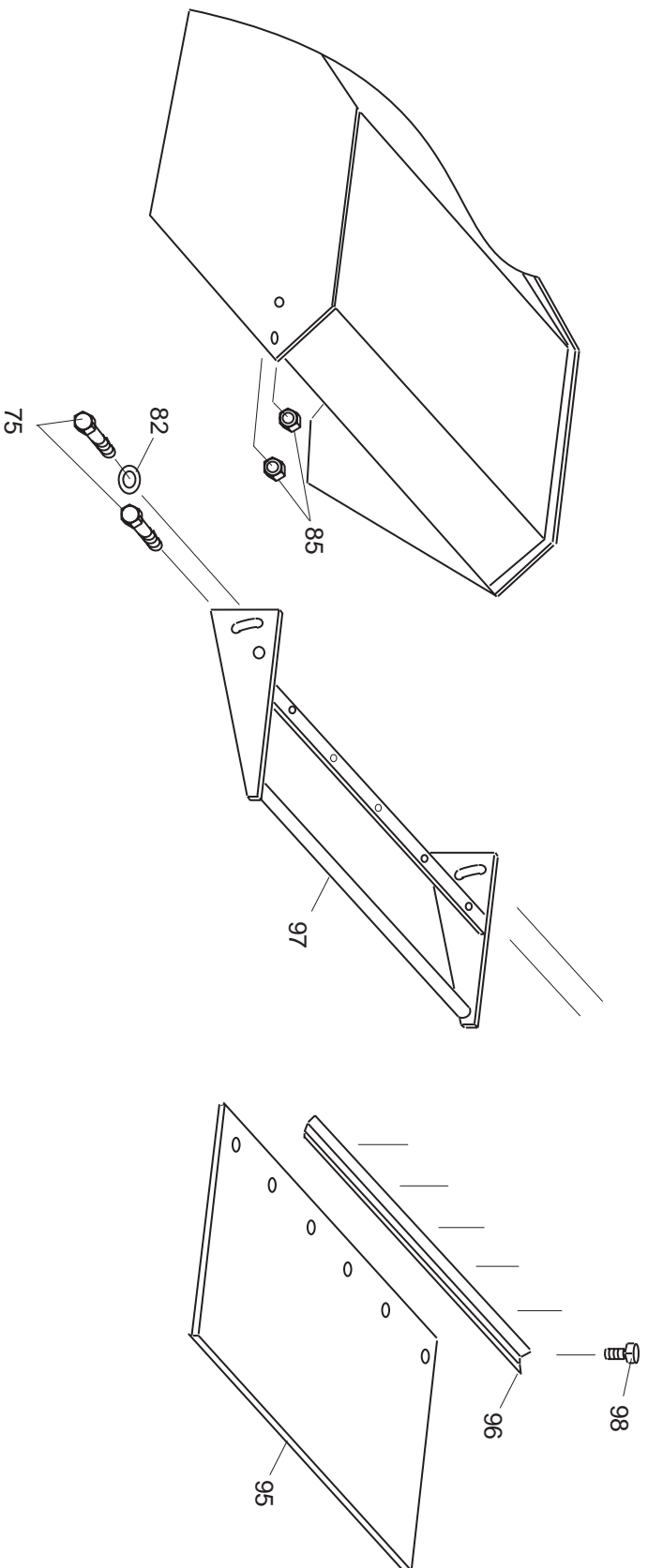
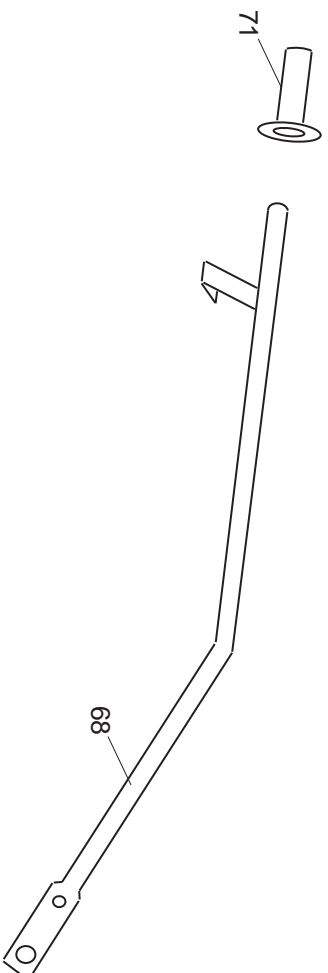
544 92 16-01

T-20407



SMU2(3)

SMU3(3)



544 92 16-01

T-20407