

R145 SV

Spare parts

Ersatzteile

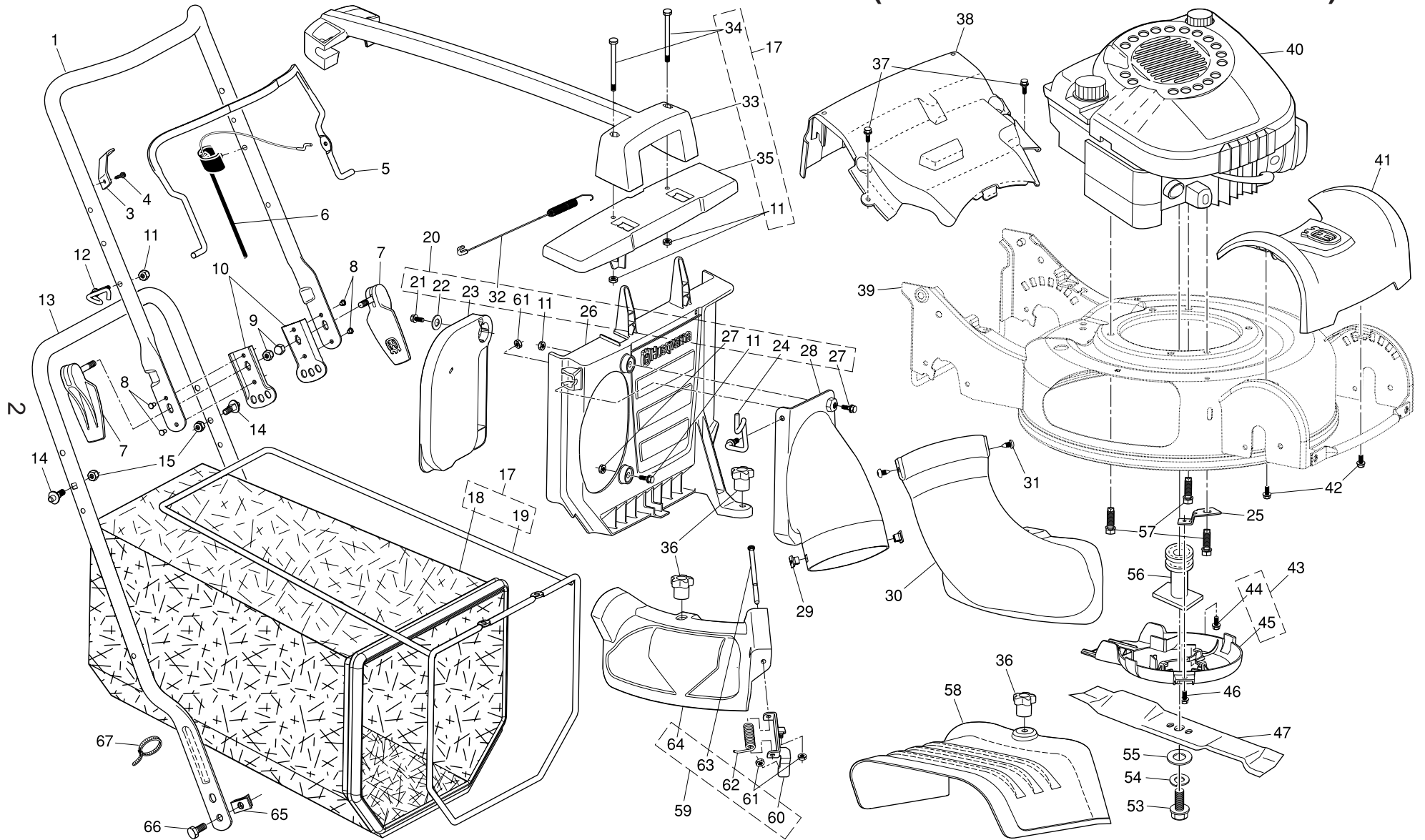
Pièces détachées

Reserve onderdelen

Repuestos

Reservdelar

ROTARY LAWN MOWER - - MODEL NUMBER R145SV (MFG. ID. NUMBER 96141013102)



ROTARY LAWN MOWER - - MODEL NUMBER R145SV (MFG. ID. NUMBER 96141013102)

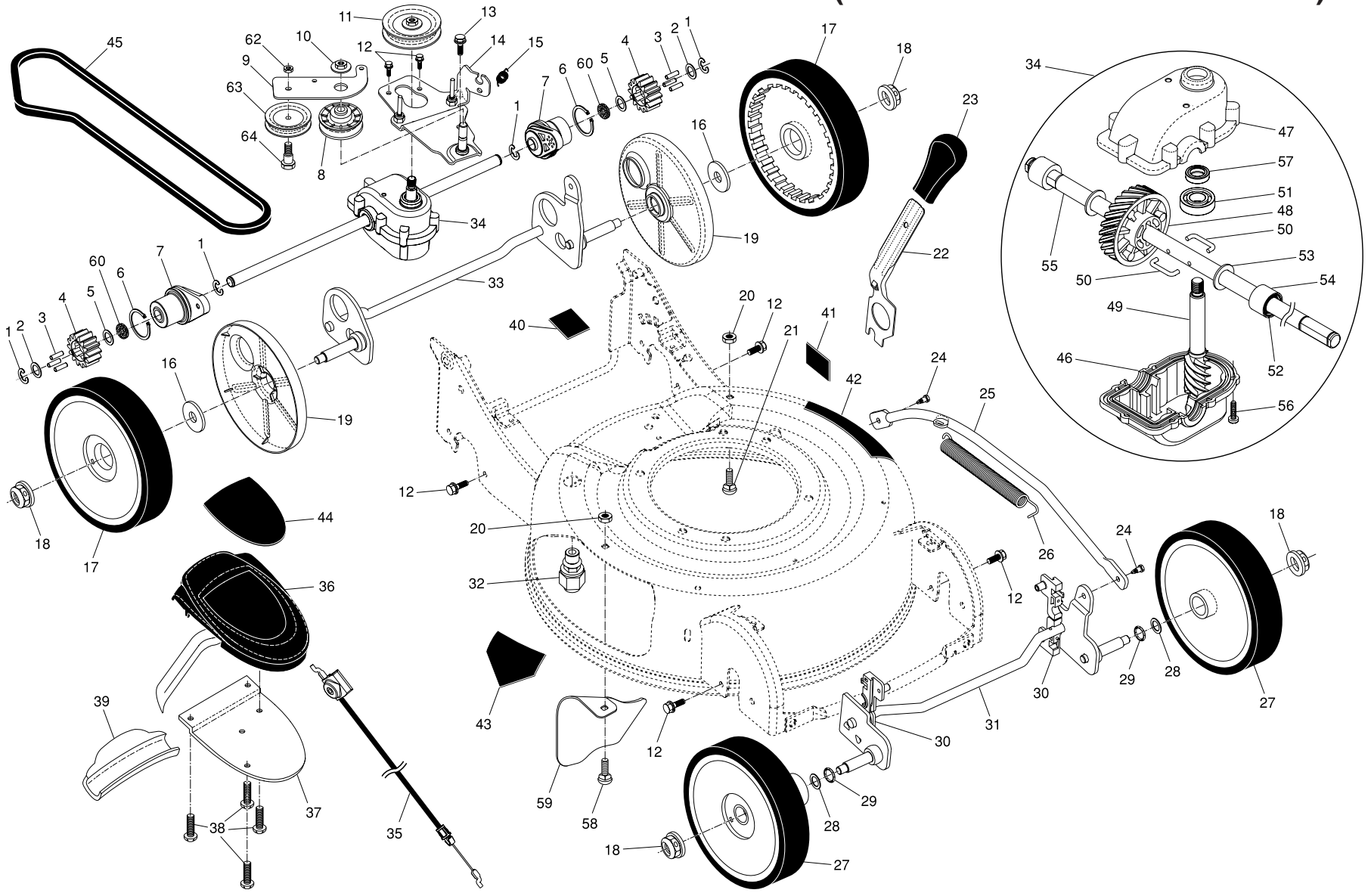
KEY NO.	PART NO.	DESCRIPTION	KEY NO.	PART NO.	DESCRIPTION	KEY NO.	PART NO.	DESCRIPTION
1	532 19 98-87	Upper Handle	24	532 40 86-52	Rope Guide, Rear Door	43	532 40 12-16	Debris Shield Assembly
3	532 12 52-03	Upstop Bracket	25	532 19 09-39	Bracket, Debris Shield	44	532 08 86-52	Screw, Hinge 1/4-20 x 1/2
4	532 75 06-34	Screw, Threaded, Rolled #10-24 x 1/2	26	532 41 35-09	Rear Door	45	532 41 35-15	Debris Shield
5	532 18 62-98	Control Bar	27	532 40 13-69	Bolt, Shoulder 5/16	46	532 19 23-25	Screw, Hex Washer Head
6	532 19 77-40	Cable, Engine Zone Control	28	532 41 35-10	Upper Chute	47	532 19 92-43	Blade
7	532 41 35-07	Quick Release Assembly	29	532 19 97-27	Grommet 1/4	53	532 19 17-60	Bolt, Hex Head 3/8-24 x 2-1/2
8	532 19 96-97	Rivet	30	532 41 35-11	Lower Chute	54	532 85 02-63	Washer, Helical
9	532 40 04-13	Nut, Acorn	31	532 19 98-55	Screw, T-30 1/4-20 x 1/2	55	532 85 10-74	Washer, Hardened
10	532 41 35-34	Bracket, Quick Release	32	532 40 14-02	Spring, Rear Door	56	532 18 67-66	Blade Adapter / Pulley
11	532 13 20-04	Nut, Hex, Zinc-Plated, Black 1/4-20	33	532 41 35-36	Handle, Grass Catcher	57	532 15 04-06	Bolt, Engine, Dogpoint 3/8-16
12	532 19 47-88	Rope Guide, Upper Handle	34	871 09 04-48	Screw 1/4-20 x 3	58	532 41 35-17	Discharge Guard
13	532 41 35-35	Lower Handle	35	532 41 35-12	Adapter, Grass Catcher	59	532 40 93-14	Mulcher Door Assembly
14	532 19 92-55	Stud, Adjustment	36	532 18 34-47	Knob	60	532 19 92-68	Hinge Bracket Assembly
15	532 75 11-53	Nut, Hex 5/16-18	37	532 19 94-22	Screw, Hex Washer Head 1/4-20 x 1/2	61	532 19 17-30	Nut, Hex, Flangelock 1/4-20
17	532 40 01-36	Grass Catcher Assembly	38	532 41 35-13	Drive Cover	62	532 18 34-46	Spring, Mulcher Door
18	532 19 92-73	Grass Bag	39	532 41 38-02	Lawn Mower Housing	63	532 18 34-45	Rod, Hinge
19	532 19 92-78	Frame, Grass Bag	40	- - -	Engine, Briggs & Stratton, Model Number 124T02 (Order parts from Engine manufacturer)	64	532 41 35-18	Mulcher Door
20	532 40 01-35	Chute Assembly	41	532 41 35-14	Front Cover	65	532 40 40-08	Speed Nut
21	532 16 34-09	Screw, Hi-Lo Thread 1/8 x 5/8	42	532 19 41-89	Screw, Hex Washer Head 1/8-16 x 5/8	66	532 85 09-99	Bolt, Hex Head 3/8-16 x 1-1/4
22	532 05 38-47	Washer, Flat 1/4				67	532 06 64-26	Wire Tie
23	532 41 35-08	Chute, Rear Door				- -	532 40 85-67	Manual, Operator's, European
						- -	532 40 85-68	Manual, Operator's, Scandinavian
						- -	532 41 44-70	Manual, Operator's, East Bloc
						- -	532 41 34-13	Manual, Operator's, Baltic

NOTE: All component dimensions given in U.S. inches. 1 inch = 25.4 mm.

IMPORTANT: Use only Original Equipment Manufacturer (O.E.M.) replacement parts. Failure to do so could be hazardous, damage your lawn mower and void your warranty.

ROTARY LAWN MOWER - - MODEL NUMBER R145SV (MFG. ID. NUMBER 96141013102)

4



ROTARY LAWN MOWER - - MODEL NUMBER R145SV (MFG. ID. NUMBER 96141013102)

KEY NO.	PART NO.	DESCRIPTION	KEY NO.	PART NO.	DESCRIPTION	KEY NO.	PART NO.	DESCRIPTION
1	812 00 00-58	E-Ring	20	532 40 01-00	Locknut 1/4-20	41	532 15 97-36	Decal, Hot Muffler
2	532 05 21-60	Washer, Flat	21	872 11 04-07	Bolt, Carriage	42	532 19 99-12	Decal, Warning
3	532 17 00-11	Pawl	22	532 41 35-19	Height Adjustment Lever	43	532 18 21-66	Decal, Danger
4	532 16 64-50	Gear, Pinion	23	532 19 92-69	Knob, Height Adjustment Lever	44	532 41 69-58	Decal, Drive Control
5	532 08 81-18	Washer, Felt	24	532 40 70-59	Screw, Semi-Gimlett Point	45	532 19 92-25	V-Belt
6	812 00 00-12	Ring, Retaining	25	532 40 71-42	Rod, Height Adjustment	46	532 18 75-30	Case, Lower
7	532 40 01-34	Bearing, Drive	26	532 40 96-16	Spring	47	532 19 12-45	Case, Upper
8	532 19 37-91	Pulley, Idler	27	532 41 08-31	Wheel & Tire Assembly, Front	48	532 18 75-32	Gear, 24 Teeth
9	532 42 11-01	Arm, Idler	28	532 08 83-48	Washer, Flat	49	532 40 30-91	Shaft, Worm
10	532 40 91-49	Locknut, Hex	29	532 19 74-80	O-Ring	50	532 18 35-05	Wireform
11	532 19 34-43	Drive Pulley	30	532 41 35-20	Bearing Assembly, Front Axle	51	532 18 35-06	Bearing, Ball
12	532 16 34-09	Screw, Hi-Lo Thread 1/8 x 5/8	31	532 41 40-71	Axle Assembly, Front	52	532 18 35-08	Seal, Output Shaft
13	817 06 04-10	Screw, Hex Washer Head 1/4-20 x 1/16	32	532 40 00-94	Fitting, Quick Release	53	532 18 35-09	Washer
14	532 40 11-13	Belt Guide Bracket Assembly	33	532 41 40-73	Axle Assembly, Rear	54	532 18 35-11	Bushing
15	532 19 41-24	Spring, Return	34	532 19 92-31	Gear Case Assembly, Complete	55	532 40 30-92	Shaft, Output
16	532 06 77-25	Washer, Flat 3/8	35	532 40 15-53	Cable, Drive Control	56	532 18 35-13	Screw
17	532 41 10-81	Wheel & Tire Assembly, Rear, Driven	36	532 40 15-51	Drive Control Assembly	57	532 18 35-14	Seal, Worm Shaft
18	532 40 91-48	Nut, Hex	37	532 40 07-23	Plate, Rear, Drive Control	62	873 93 05-00	Nut, Hex, Centerlock 5/16-18
19	532 18 94-03	Dust Cover	38	532 18 16-98	Screw #8 x 1/16	63	532 16 60-43	Pulley, Idler
			40	532 19 97-31	Decal, Noise Level	64	532 16 08-29	Bolt, Shoulder

NOTE: All component dimensions given in U.S. inches. 1 inch = 25.4 mm.

IMPORTANT: Use only Original Equipment Manufacturer (O.E.M.) replacement parts. Failure to do so could be hazardous, damage your lawn mower and void your warranty.