

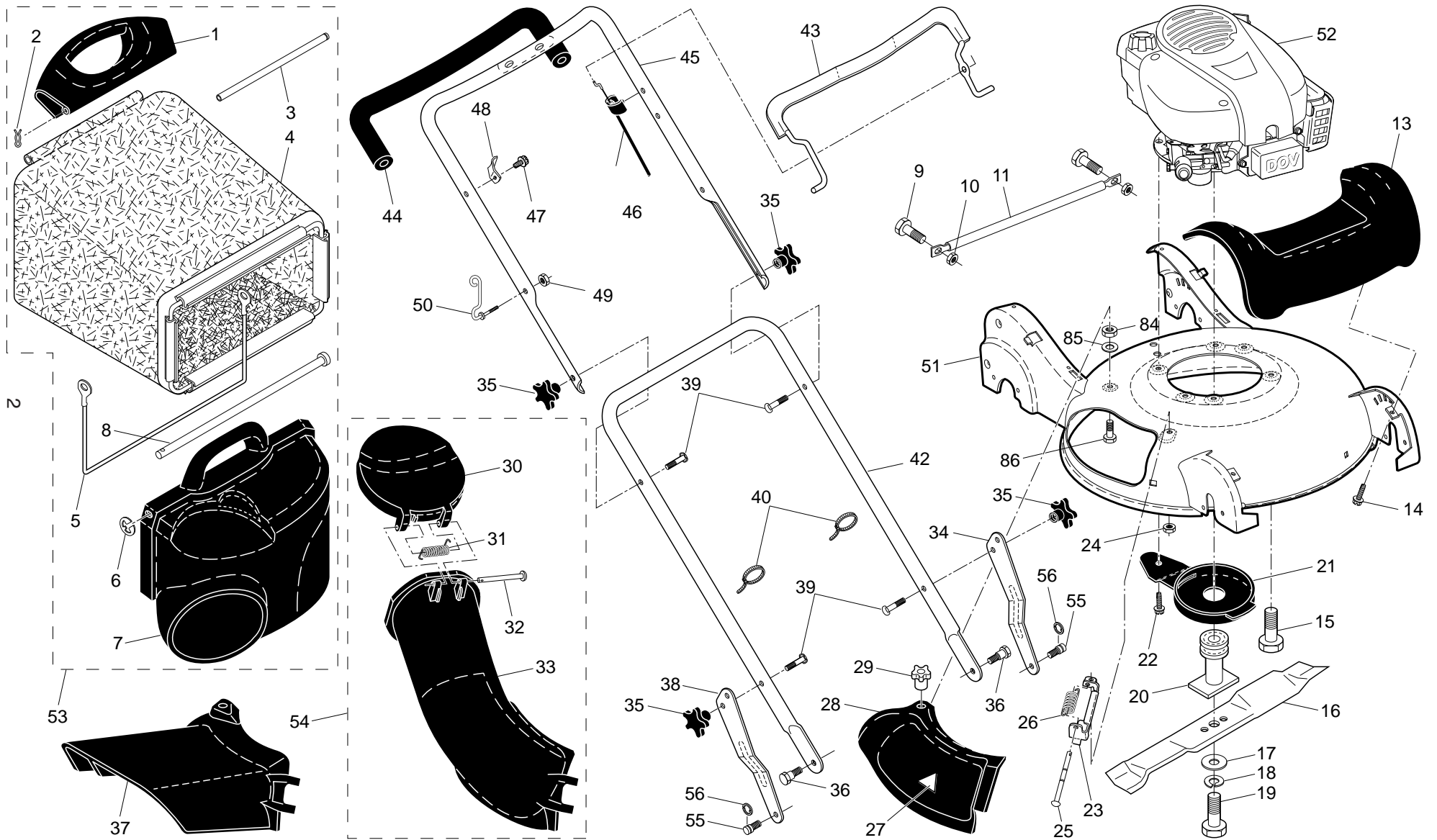
ILLUSTRATED PARTS LIST

MODEL NUMBER R152SV

PRODUCT NUMBER 961 41 01-34

MFG. ID. NUMBER 96141013402

ROTARY LAWN MOWER - - MODEL NUMBER R152SV (96141013402) PRODUCT NUMBER 961 41 01-34



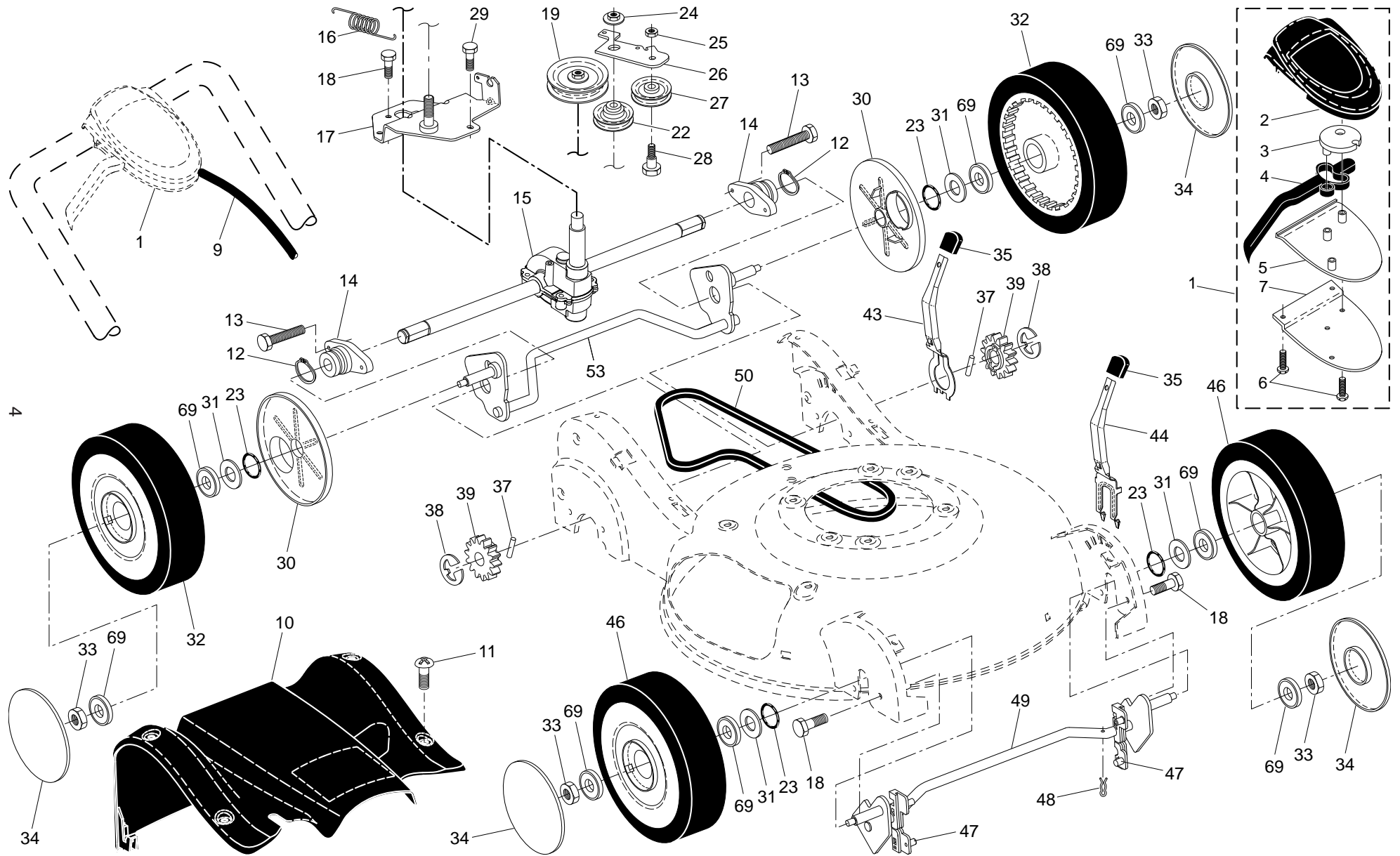
ROTARY LAWN MOWER - - MODEL NUMBER R152SV (96141013402) PRODUCT NUMBER 961 41 01-34

KEY NO.	PART NO.	DESCRIPTION	KEY NO.	PART NO.	DESCRIPTION
1	532 19 05-82	Handle, Grassbag, Rear	33	532 19 05-78	Discharge Chute, Plastic
2	532 06 53-22	Hairpin Cotter	34	532 19 06-19	Adjustment Bracket, Lower Handle, LH
3	532 18 34-83	Rod, Rear Handle, Grassbag	35	532 18 55-88	Knob, Star
4	532 40 18-98	Grassbag	36	532 19 41-87	Bolt, Shoulder
5	532 18 85-06	Frame, Grassbag	37	532 18 59-96	Deflector, Discharge
6	812 00 00-14	E-Ring	38	532 19 06-21	Adjustment Bracket, Lower Handle, RH
7	532 19 05-81	Door, Grassbag	39	532 19 15-74	Bolt, Handle
8	532 18 34-79	Rod, Pivot	40	532 06 64-26	Wire Tie
9	872 14 04-05	Bolt	42	532 18 70-96	Handle Assembly, Lower
10	873 80 04-00	Nut, Hex, Nylock 1/4-20	43	532 18 62-98	Bail, Control
11	532 19 06-92	Tube, Rear Skirt	44	532 18 27-48	Grip, Foam
13	532 41 49-58	Cover, Front	45	532 18 62-96	Handle Assembly, Upper (Includes Foam Grip)
14	532 19 94-22	Screw, Hex Washer Head	46	532 40 88-85	Cable, Engine Zone Control
15	532 15 04-06	Bolt, Engine Mounting	47	532 75 06-34	Screw
16	532 41 50-76	Blade, 21"	48	532 12 52-03	Bracket, Upstop
17	532 85 10-74	Washer, Hardened	49	532 13 20-04	Nut, Hex
18	532 85 02-63	Washer, Lock	50	532 18 85-01	Rope Guide
19	532 19 17-60	Bolt, Hex Head, Grade 8 3/8-24	51	532 42 04-31	Kit, Lawn Mower Housing Assembly
20	532 18 67-66	Adapter, Blade	52	- - -	Engine, Briggs & Stratton, Model Number 100602 (Order parts from Engine Manufacturer)
21	532 19 05-16	Debris Shield	53	532 40 18-96	Grassbag Assembly, Complete
22	817 60 04-06	Screw, Hex Head, Serrated	54	532 18 90-14	Discharge Chute Assembly, Complete
23	532 18 36-09	Mounting Bracket, Mulcher Door	55	532 19 41-92	Stud, Shoulder, T45
24	532 19 17-30	Nut, Hex	56	812 00 00-58	E-Ring, T45
25	532 18 34-45	Rod, Hinge	84	532 40 01-00	Nut, Hex
26	532 18 34-46	Spring, Mulcher Door	85	532 85 02-63	Washer
27	532 18 21-66	Decal, Danger	86	872 11 04-07	Bolt, Hex Head
28	532 19 05-15	Mulcher Door	--	532 41 11-47	Opeator's Manual, European
29	532 18 34-47	Knob	--	532 41 11-48	Opeator's Manual, Scandinavian
30	532 19 05-80	Door, Discharge Chute	--	532 41 11-52	Opeator's Manual, East Bloc
31	532 18 34-78	Spring, Door, Discharge Chute	--	532 41 11-49	Opeator's Manual, Baltic
32	532 18 34-45	Rod, Door, Discharge Chute			

NOTE: All component dimensions given in U.S. inches. 1 inch = 25.4 mm

IMPORTANT: Use only Original Equipment Manufacturer (O.E.M.) replacement parts. Failure to do so could be hazardous, damage your lawn mower and void your warranty.

ROTARY LAWN MOWER - - MODEL NUMBER R152SV (96141013402) PRODUCT NUMBER 961 41 01-34



ROTARY LAWN MOWER - - MODEL NUMBER **R152SV** (96141013402) PRODUCT NUMBER 961 41 01-34

KEY NO.	PART NO.	DESCRIPTION	KEY NO.	PART NO.	DESCRIPTION
1	532 19 70-12	Drive Control Assembly (Includes Cable)	26	532 41 67-36	Idler Arm
2	532 41 16-73	Cover, Drive Control, Top	27	532 16 60-43	Pulley
3	532 18 73-53	Pulley, Drive Control	28	532 16 08-29	Bolt, Hex Head, Shoulder
4	532 19 00-37	Lever, Drive Control (blue)	29	817 06 04-10	Screw 1/4-20 x 1/16
5	532 41 16-64	Cover, Drive Control, Bottom	30	532 18 34-57	Cover, Dust, Wheel
6	532 18 16-98	Screw, Torx Head #8 x 5/8	31	532 08 83-48	Washer, Flat 3/8
7	532 40 07-23	Bracket, Mounting, Drive Control	32	532 19 26-22	Wheel Assembly, Rear 9 x 2-1/4
9	532 19 70-11	Cable, Drive Control	33	532 40 91-48	Nut, Hex
10	532 41 69-63	Cover Assembly, Drive	34	532 18 34-42	Hubcap
11	532 19 41-88	Screw	35	532 18 59-94	Knob
12	812 00 00-12	Ring, Retaining	37	532 40 48-45	Pawl
13	532 19 41-86	Screw	38	812 00 00-58	E-Ring
14	532 40 80-27	Bearing / Axle Support	39	532 40 38-49	Pinion
15	532 40 80-29	Gear Case Assembly (See Breakdown)	43	532 19 05-20	Lever, Selector, Wheel Height, Rear
16	532 40 65-58	Spring, Return	44	532 19 05-18	Lever, Selector, Wheel Height, Front
17	532 40 80-05	Bracket, Gear Case / Drive Pulley	46	532 19 22-32	Wheel Assembly, Front 9 x 2-1/4
18	532 16 34-09	Screw	47	532 18 34-38	Bushing, Front Axle
19	532 19 40-18	Pulley, Drive	48	532 16 96-75	Retainer, Hairpin Cotter
22	532 19 37-91	Pulley Assembly, V-Groove	49	532 19 64-69	Torque Shaft Assembly, Front
23	532 19 74-80	O-Ring	50	532 40 80-31	Belt, Drive
24	532 40 91-49	Nut, Hex, Flangelock	53	532 41 67-40	Rear Axle Assembly
25	873 93 05-00	Nut, Hex, Lock	69	532 75 10-68	Bearing, Ball (Wheel)

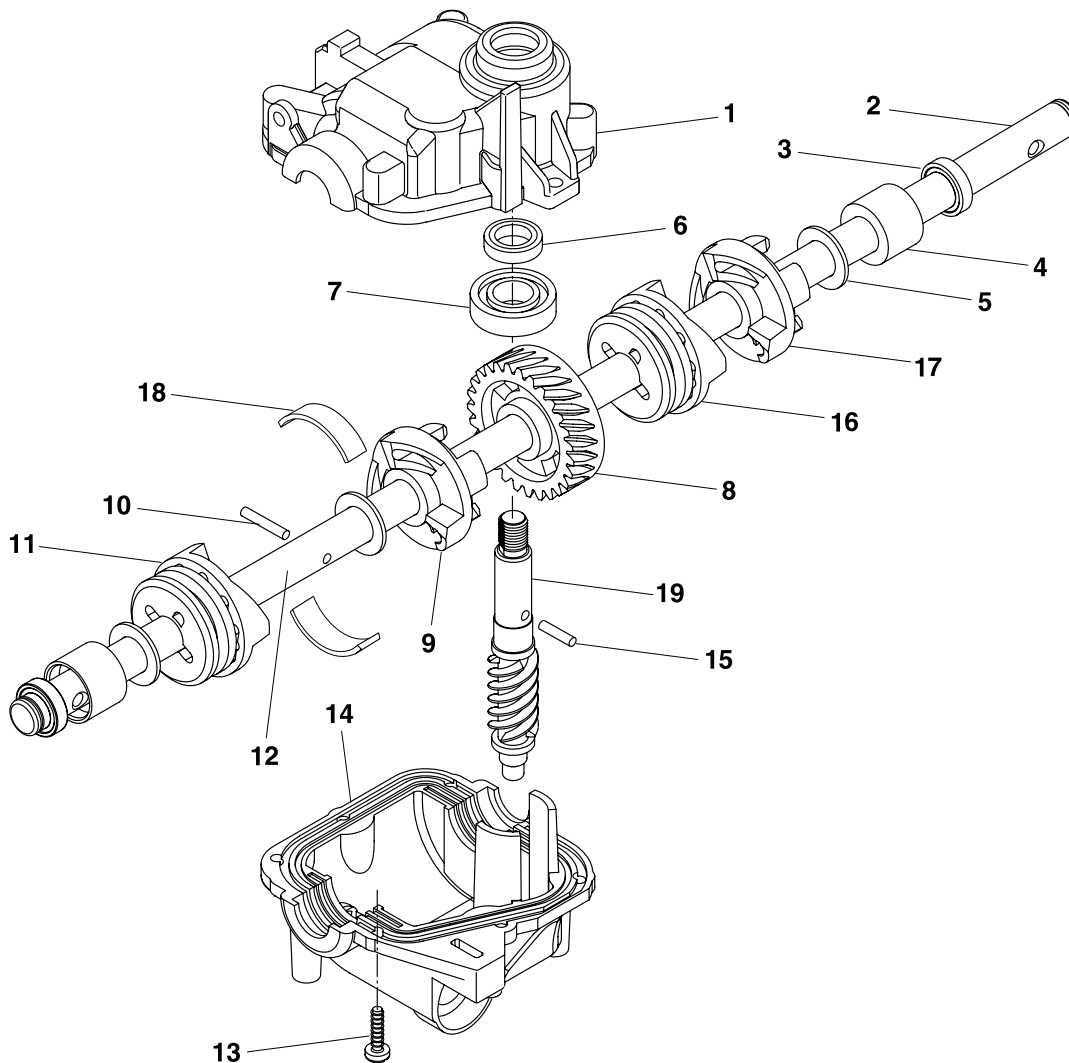
NOTE: All component dimensions given in U.S. inches. 1 inch = 25.4 mm

IMPORTANT: Use only Original Equipment Manufacturer (O.E.M.) replacement parts. Failure to do so could be hazardous, damage your lawn mower and void your warranty.

ROTARY LAWN MOWER - - MODEL NUMBER R152SV (96141013402)

PRODUCT NUMBER 961 41 01-34

GEARCASE ASSEMBLY - PART NUMBER 532 40 80-29



KEY NO.	PART NO.	DESCRIPTION
1	532 41 27-36	Case, Upper
2	532 41 32-69	Shaft, Output, Long
3	532 18 35-08	Seal, Output Shaft
4	532 18 35-11	Bushing
5	532 18 35-09	Washer
6	532 18 35-14	Seal, Worm Shaft
7	532 18 35-06	Bearing, Ball
8	532 41 27-42	Gear, 28 Teeth
9	532 41 27-40	Movable Dog Clutch, LH
10	532 41 27-46	Pin, Output Shaft
11	532 41 27-39	Fixed Dog Clutch, LH
12	532 41 32-68	Shaft, Output, Short
13	532 18 35-13	Screw, Case
14	532 41 27-47	Case, Lower
15	532 41 27-41	Pin, Worm Shaft
16	532 41 27-43	Movable Dog Clutch, RH
17	532 41 27-44	Fixed Dog Clutch, RH
18	532 41 07-31	Spring, Leaf
19	532 41 32-67	Shaft, Worm