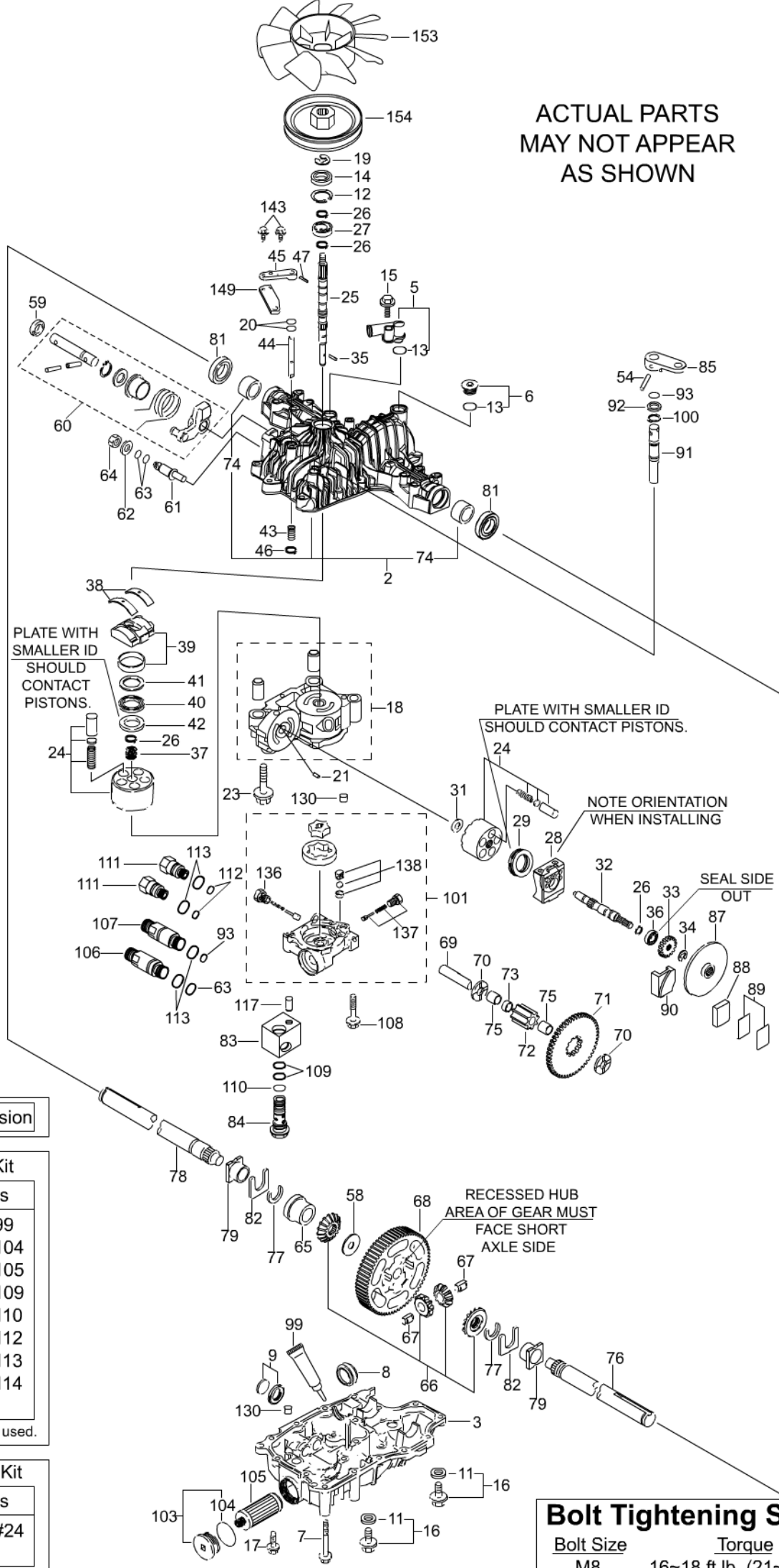


# Tuff Torq K664G

**Spare parts**  
**Ersatzteile**  
**Pièces détachées**  
**Reserve onderdelen**  
**Repuestos**  
**Reservdelar**

ACTUAL PARTS  
 MAY NOT APPEAR  
 AS SHOWN



1- K664G Transmission

**K664G Seal Kit**

Kit Includes

#8	#99
#11	#104
#13	#105
#14	#109
#20	#110
#59	#112
#63	#113
#81	#114
#93	

All parts may not be used.

**K664G Repair Kit**

Kit Includes

#18	(2) #24
#200 - Seal Kit	

All parts may not be used.

**Bolt Tightening Specs.**

Bolt Size	Torque
M8	16~18 ft.lb. (21~24 N.m)
M10	33~47 ft.lb. (45~64 N.m)

200-

201-

Item	Tuff Torq P/N	HQV.Part No.	Description
1	787Q0584540	544386501	K664G HSQ TRANSAXLE
2	1A632024121	523074401	UPPER CASE KIT
3	187Q0524170	574514401	LOWER CASE
5	1A632084740	574514601	FITTING KIT
6	187Q0599040	574514701	OIL CAP KIT
7	19215424310	535414683	CAP SCREW 8 * 75
8	1A632024320	535414623	FILTER
9	19216324350	535414694	MAGNET CMP
11	22190100000	535402825	WASHER SEAL 10
12	22252000350	535402850	SNAP RING C 35
13	24311000180	535402822	O-RING P18
14	24421153507	506957201	SEAL TC 153507
15	26106080352	502462801	BOLT 8 * 35
16	1A632099320	523074701	DRAIN BOLT KIT
17	26476080302	535402828	TAPPING SCREW 8 * 30
18	187Q0524900	574514801	CENTER CASE CB
19	19215485310	535402807	E-RING 15
20	24311240100	535402815	O-RING 1A P10A
21	19216824760	535402858	PIN 3 * 9.8
23	26106100652	502462901	BOLT 10 * 65
24	1A632025500	505348601	CYLINDER BLOCK KIT
25	1A632025301	523074901	PUMP SHAFT
26	19215425310	535402881	SNAP RING S15
27	24101062020	535402871	BEARING 6202C3
28	1A632024210	535414622	MOTOR HOUSING
29	1A632024240	502449201	BEARING THS060513
31	19216825230	535402879	WASHER 12 * 24 * 1
32	1A632085270	523075901	MOTOR SHAFT/GEAR (9T)
33	1A632085400	535414667	MOTOR GEAR 14T
34	1A632025350	535414629	E-RING
35	19215488330	535414692	PIN 3 * 13.8
36	24102063020	535414704	BEARING 6302DUC3
37	19215425200	535414685	PUMP SPRING
38	17808006200	574515801	THRUST METAL
39	187Q0527100	574515901	SWASH PLATE
40	17808006100	574516001	BEARING K81106
41	17808006110	574516201	THRUST PLATE A
42	19215427210	535414689	THRUST PLATE B
43	19215427281	502460101	SPRING 25
44	1A632029510	535414634	BYPASS SHAFT
45	1A632029520	535402817	BYPASS LEVER
46	19216829570	535402849	SNAP RING 10
47	22351030020	535402816	SPRING PIN 3.0A * 20
58	1A632096110	502451201	WASHER 17 * 36 * 6.4
59	19406527270	535402811	SEAL TC 162606
60	1A632029801	523076601	CONTROL SHAFT KIT
61	168T2029920	535402892	FULCRUM
62	22137120000	535402813	WASHER 12
63	24311000140	535402814	O-RING 1A P14
64	26776120002	506956601	NUT 12

65	1A632034270	535414644	COLLAR 25.4
66	1A632081520	502449801	DIFFERENTIAL GEAR KIT
67	1A632081810	535414656	DIFFERENTIAL PINION PIN
68	1A632099060	523076801	FINAL GEAR
69	1A632033430	574516301	FINAL SHAFT P
70	1A632033420	535414640	WASHER 15 * 35 * 3.2
71	1A632083470	535414659	REDUCTION GEAR 51T
72	1A632083550	535414662	FINAL PINION GEAR 11T
73	1A632083430	535414658	COLLAR
74	19215434240	535414690	BUSHING 25.4
75	1A632083420	535414657	NEEDLE BEARING 151814
76	1A632089450	502450901	AXLE SHAFT, LEFT
77	19216734160	535414696	RETAINING RING 23
78	1A632089550	502451001	AXLE SHAFT R
79	19216734240	535414697	BUSHING 25.4
81	19215434270	535402810	SEAL S 25.4 * 42 * 8
82	1A632034290	535414645	THRUST WASHER
83	187Q0534510	574516501	PIPING BLOCK
84	187Q0534500	574514901	CONNECTOR
85	1A632089870	535402808	BRAKE LEVER
86	1A632089900	574515001	BRAKE RETURN SPRING
87	1A632036110	535414646	BRAKE DISC
88	1A632036120	535414647	BRAKE SHOE
89	1A632036170	502449501	SHIM KIT
90	1A632036201	535414652	BRAKE ACTUATOR
91	1A632036160	535414650	BRAKE SHAFT
92	1A632036190	535414651	WASHER 16 * 23 * 1.6
93	24311000120	535414619	O-RING 1A P12
99	1A646099500	505348701	SEALANT
100	22242000160	535414702	SNAP RING
101	1A632096150	535466501	PUMP CASE KIT
103	1A637094450	574515101	CAP KIT
104	24351240400	574515201	O-RING 1A 24040
105	1A632026450	535402819	FILTER
106	187Q0524740	574515301	PIPING A 3/8
107	187Q0524750	574515401	PIPING B 3/8
108	26106080452	535414706	BOLT 8 * 45
109	24315000120	574515501	PACKING P12A
110	24315000160	574515601	PACKING P16A
111	1A637026420	535466502	CONNECTOR
112	19485049290	535466503	O-RING 6.1
113	24311000160	502462001	O-RING 1A P16
117	22312080140	574515701	PARALLEL PIN 8 * 14
130	19452141570	535414905	ALIGNMENT SLEEVE 11 * 7
136	19216726300	502460601	CHARGE RELIEF VALVE
137	19216726250	535466505	IMPLEMENT RELIEF VALVE
138	1A637026350	502451501	3RD CHECK VALVE
143	26013060142	535402827	BOLT 6 * 14
149	1A632089521	535402826	BYPASS ARM
153	1A632085100	502450301	FAN
200	187Q0599010	574214901	SEAL KIT
201	187Q0599120	574217801	REPAIR KIT (K664G)