

Kohler Command Pro 15Hp

Spare parts

Ersatzteile

Pièces détachées

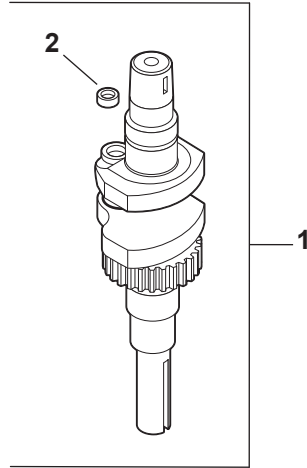
Reserve onderdelen

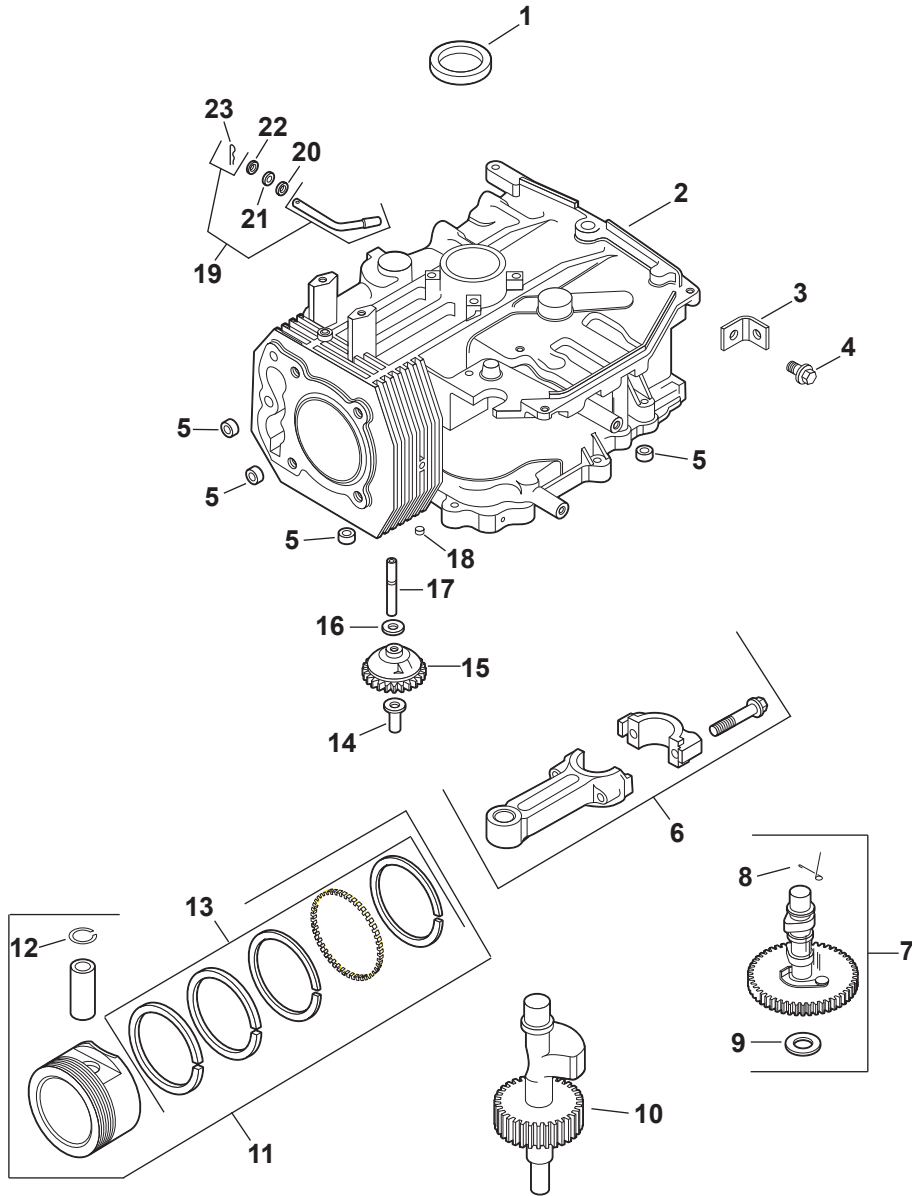
Repuestos

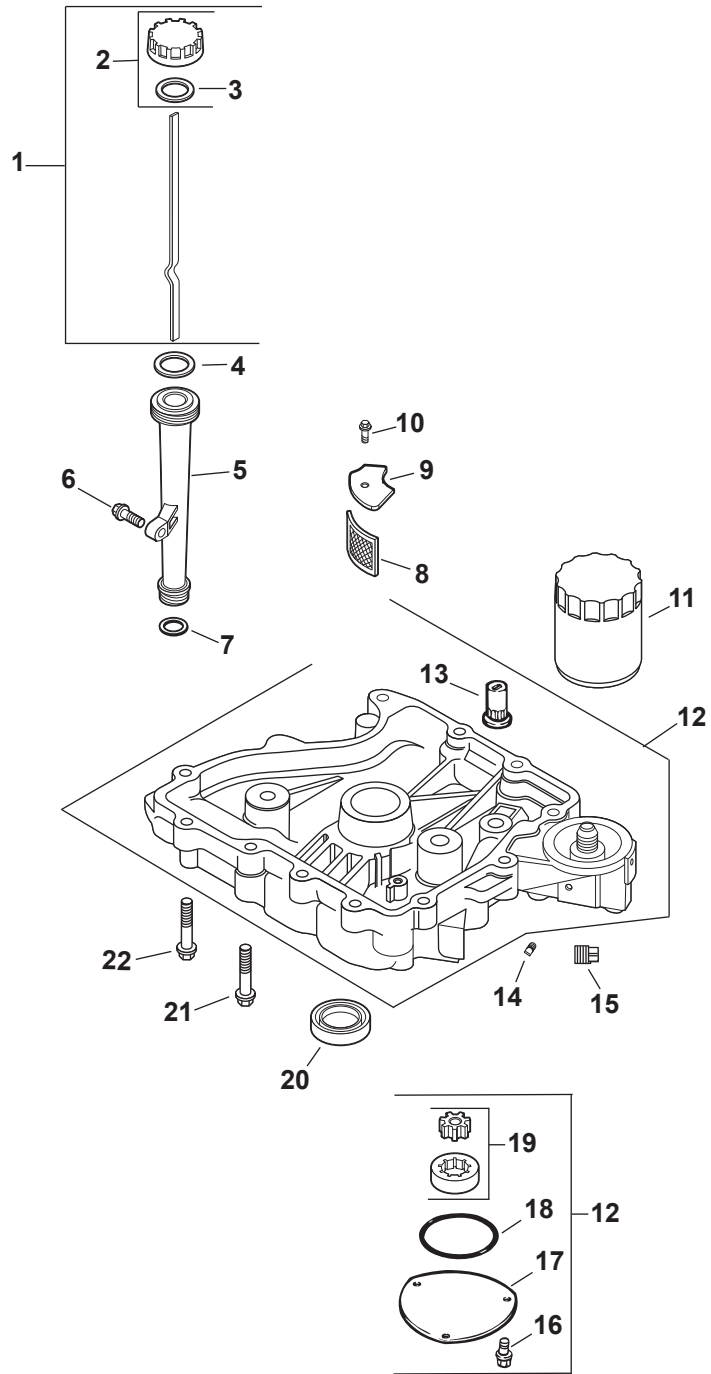
Reservdelar

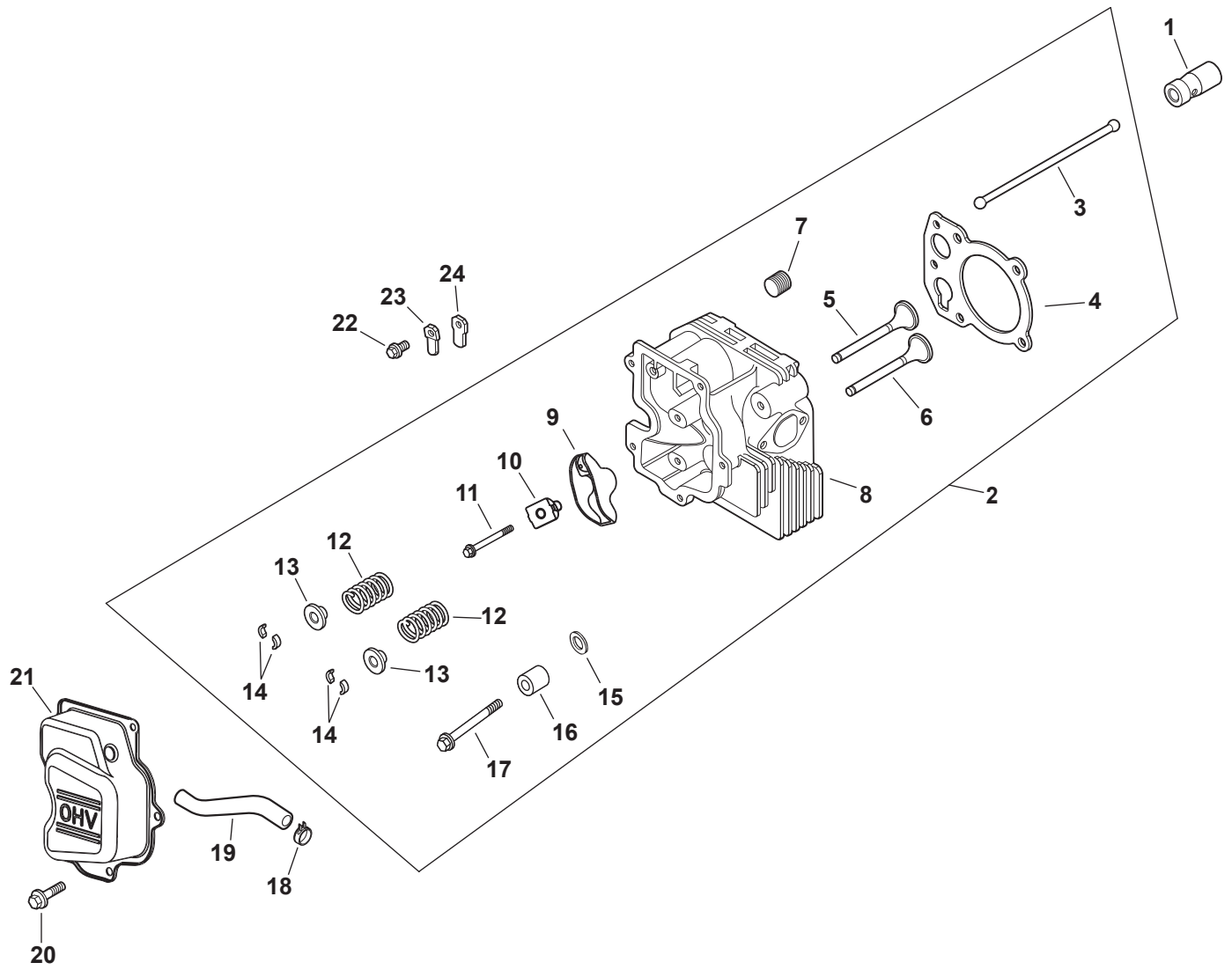
TOP TWENTY PARTS FOR CV15S / 41617

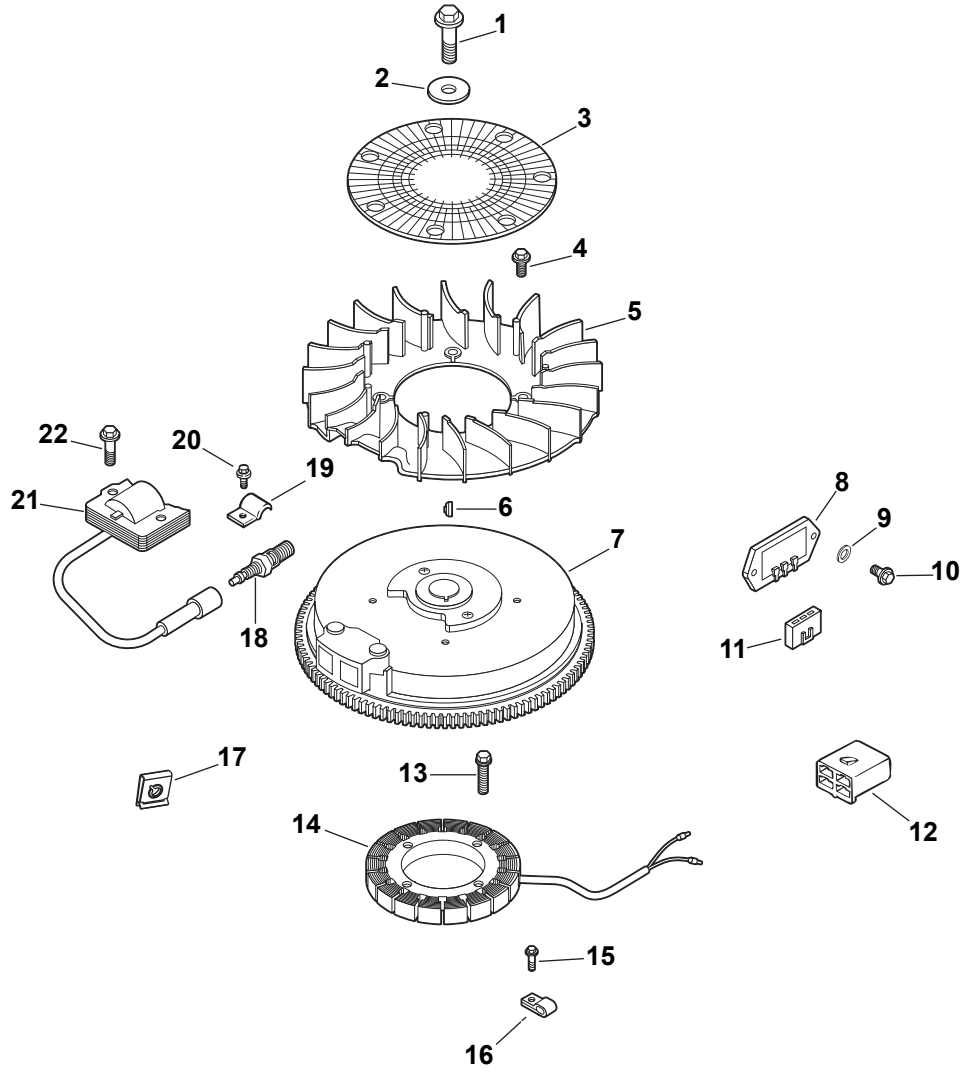
KOHLER PART #	HUSQVARNA PART #	DESCRIPTION
12-041-02-S	531 02 96-00	Gasket, air cleaner
12-041-10-S	525 31 69-01	Gasket, Cylinder Head
X-42-15-S	531 02 95-11	Key 3/16"
12-032-03-S	525 31 70-01	Seal
12-041-01-S	531 02 95-99	Gasket, carburetor
12-757-33-S	531 02 96-09	Kit, solenoid repair
66-032-05-S	531 02 97-13	Seal, valve stem
41-403-09-S	531 02 95-85	Rectifier-regulator
12-132-02-S	531 02 95-86	Plug, spark
12-559-02-S	525 31 71-01	Pump, Fuel
25-098-07-S	525 31 72-01	Starter
25-072-04-S	531 02 96-31	Stud, exhaust
12-757-03-S	531 02 96-08	Kit, carburetor repair
25-351-01-S	531 02 96-96	Lifter, valve
25-050-22-S	531 02 98-62	Filter, fuel
12-083-12-S	525 31 74-01	Pre-Cleaner
25-158-11-S	531 02 96-24	Bushing, throttle linkage
12-083-10-S	525 31 75-01	Filter, Air
12-584-04-S	525 31 76-01	Module, Ignition
52-050-02-S	531 02 95-03	Filter, oil

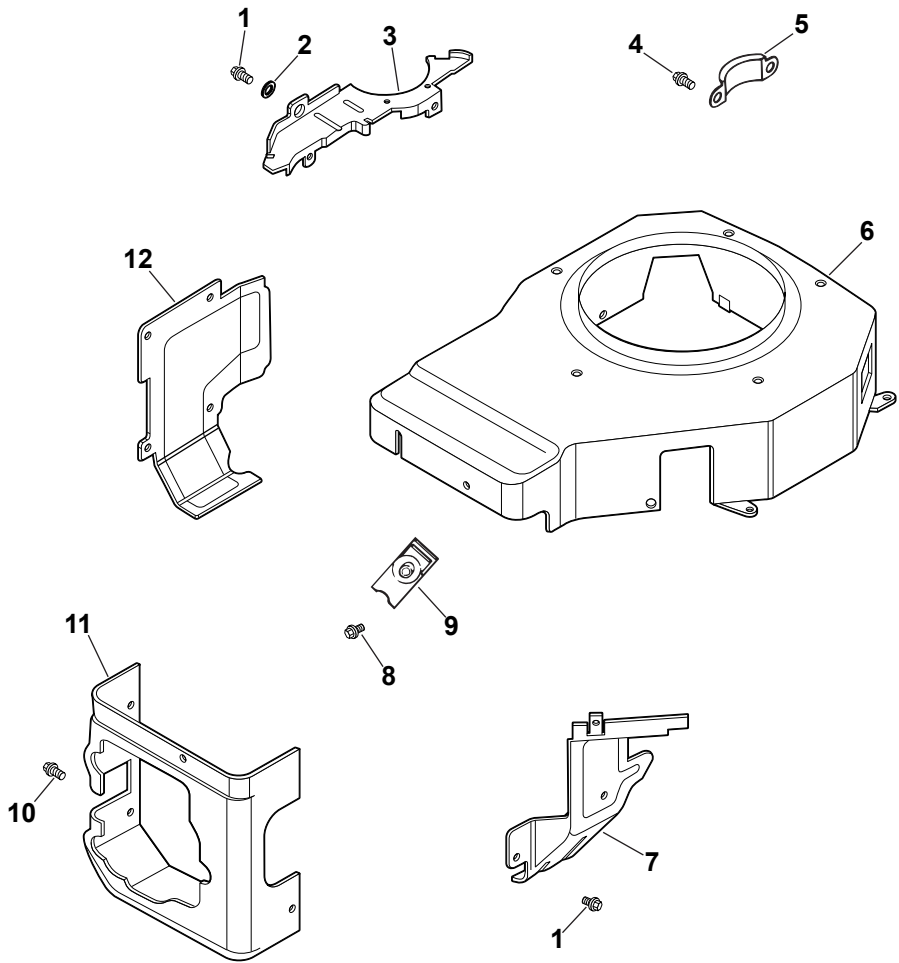


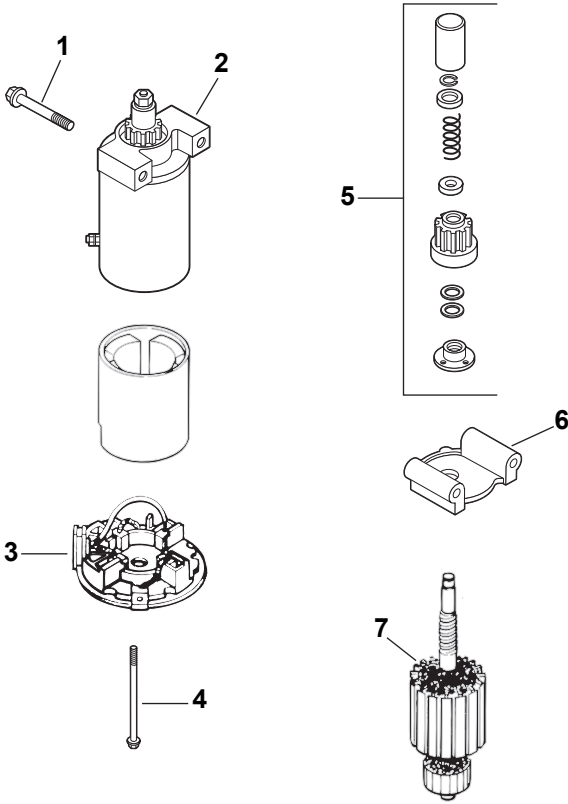


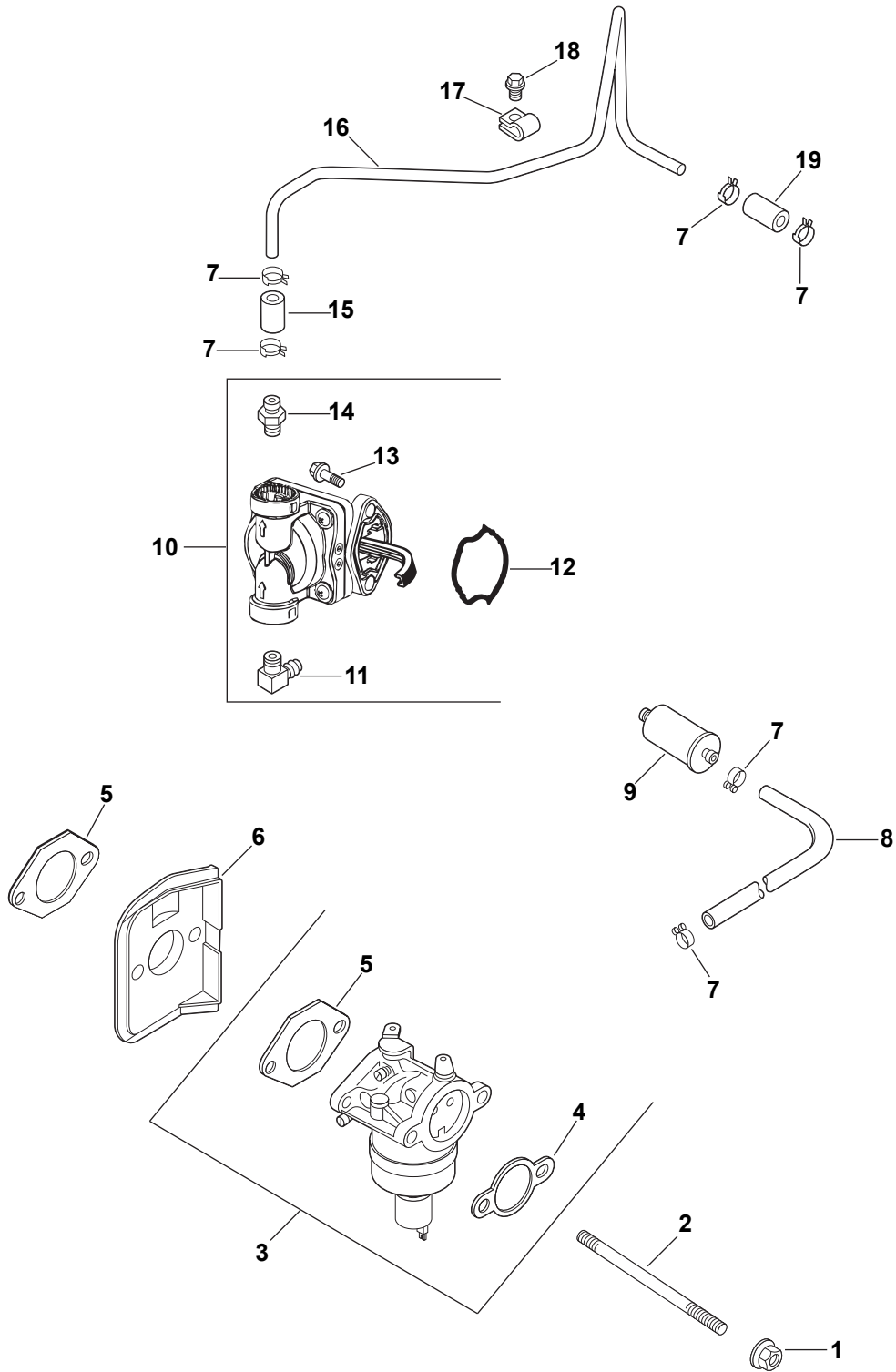


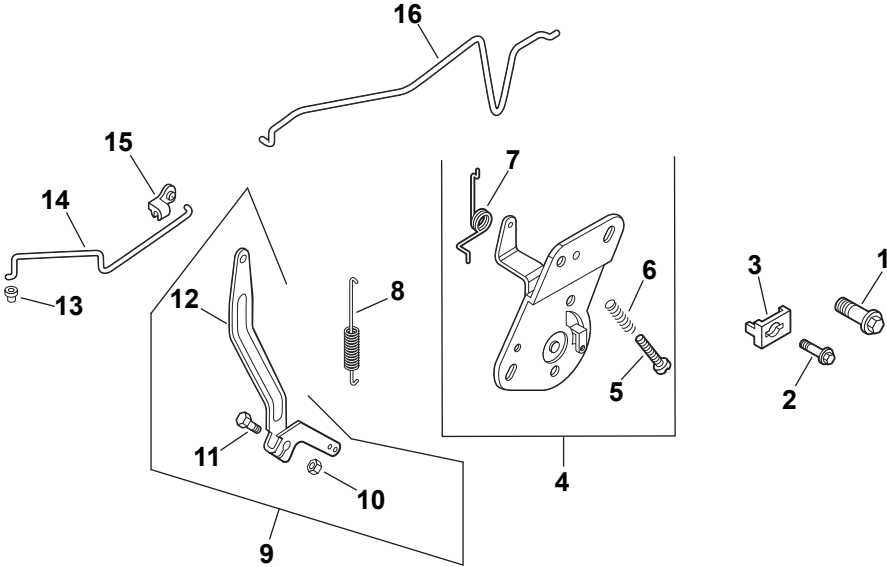


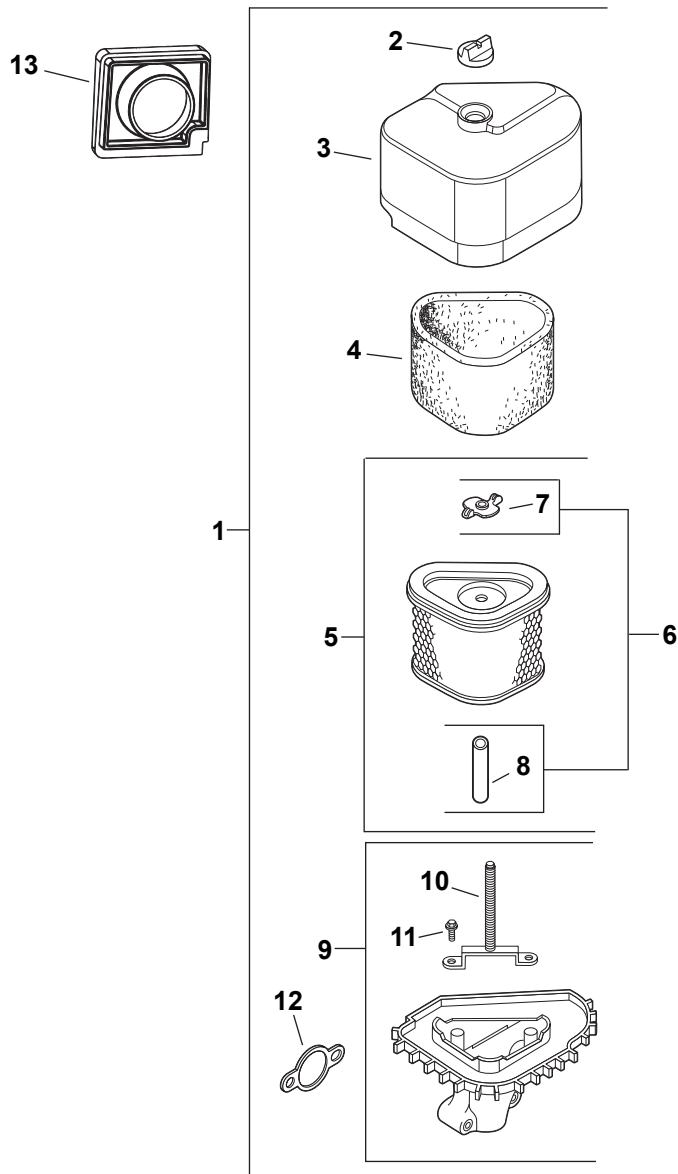


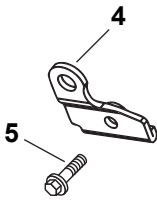
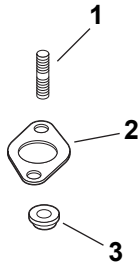












CRANKSHAFT - Group 1

1. Crankshaft (Includes 2)	12 014 30-S
2. Plug, cup	12 139 01-S

CRANKCASE - Group 2

1. Seal, front oil	12 032 03-S
2. Crankcase (USE: Short Block 12 522 18)	
3. Strap, lifting	12 445 02-S
4. Screw, hex. flange M8x1.25x25	M-839025-S
5. Pin, locating (4)	24 380 13-S
6. Connecting Rod (Std.)	12 067 05-S
Connecting Rod (.25)	12 067 06-S
7. Kit, camshaft (Includes 8,9)	12 755 49-S
8. Spring, actuating	12 089 37-S
9. Shim, camshaft - yellow	12 422 10-S
Shim, camshaft - blue (A.R.)	12 422 08-S
Shim, camshaft - red (A.R.)	12 422 09-S
Shim, camshaft - green (A.R.)	12 422 11-S
Shim, camshaft - gray (A.R.)	12 422 12-S
Shim, camshaft - black (A.R.)	12 422 13-S
Shim, camshaft - white (A.R.)	12 422 07-S
10. Shaft, balance	12 144 27-S
11. Piston w/Ring Set (Std.) (Includes 12,13)	12 874 07-S
Piston w/Ring Set (.08)	12 874 11-S
Piston w/Ring Set (.25)	12 874 08-S
Piston w/Ring Set (.50)	12 874 09-S
12. Retainer, piston pin (2)	12 018 02-S
13. Ring Set (Std. & .08)	12 108 07-S
Ring Set (.25)	12 108 08-S
Ring Set (.50)	12 108 09-S
14. Pin, governor regulating	12 380 01-S
15. Gear, governor	12 043 05-S
16. Washer, plain 6 mm	M-631005-S
17. Shaft, governor gear	12 144 02-S
18. Plug, cup	52 139 09-S
19. Kit, governor cross shaft w/clip (Includes 23)	12 755 64-S
20. Washer, plain 1/4"	X-25-102-S
21. Seal, governor cross shaft	12 032 01-S
22. Washer, plain 6 mm	M-631015-S
23. Clip, hitch pin	12 154 05-S

OIL PAN/LUBRICATION - Group 3

1. Dipstick assembly (Includes 2,3)	12 038 02-S
2. Kit, oil fill cap (Includes 3)	24 755 46-S
3. O-Ring, dipstick	25 153 02-S
4. O-Ring, upper oil fill tube	12 153 02-S
5. Tube, oil fill	12 123 04-S
6. Screw, hex. flange M6x1.0x25	M-645025-S
7. O-Ring, lower oil fill tube	12 153 01-S
8. Screen, oil pickup	25 162 07-S
9. Cover, oil pickup screen	12 096 03-S
10. Screw, hex. flange M5x0.8x16	M-545016-S
11. Filter, oil	52 050 02-S
12. Pan assembly, oil (Includes 13, 16-19)	12 199 50-S
13. Valve, oil pressure relief	25 462 09-S

14.	Plug, pipe 1/8" sq. hd.	25 139 52-S
15.	Plug, pipe 3/8" sq. hd. (2).....	25 139 57-S
16.	Screw, hex. flange M5x0.8x16 (3).....	M-545016-S
17.	Cover, oil pump	12 096 34-S
18.	O-Ring, oil pump cover	12 153 06-S
19.	Pump assembly, oil	12 393 01-S
20.	Seal, oil (P.T.O. end).....	12 032 03-S
21.	Screw, hex. flange M8x1.25x45 (10)	24 086 16-S
22.	Screw, hex. flange M8x1.25x45.....	24 086 17-S

HEAD/VALVE/BREATHER - Group 4

1.	Lifter, valve (2).....	25 351 01-S
2.	Kit, cylinder head (Includes 3-18, carburetor gasket 12 041 01-S (2), air cleaner base gasket 12 041 02-S, & exhaust manifold gasket 12 041 03-S).....	12 755 81-S
3.	Rod, push (2).....	12 411 04-S
4.	Gasket, cylinder head	12 041 10-S
5.	Valve, intake (Std.).....	12 017 01-S
6.	Valve, exhaust (Std.).....	12 016 01-S
7.	Plug, pipe hex. ctsk. 1/8" N.P.T.F.	25 139 60-S
8.	Cylinder Head.....	12 318 19-S
9.	Arm, rocker (2)	25 186 01-S
10.	Pivot, rocker arm (2).....	12 599 03-S
11.	Screw, hex. flange M6x1.0x34 (2).....	M-640034-S
12.	Spring, valve (2)	12 089 34-S
13.	Cap, valve spring (2)	12 173 01-S
14.	Kit, retainer (2).....	12 755 03-S
15.	Washer, plain 13/32"	12 468 05-S
16.	Spacer, head bolt exhaust port	12 112 13-S
17.	Screw, hex. flange M10x1.5x81 (5)	20 086 02-S
18.	Clamp, hose 11/16" (2)	25 237 14-S
19.	Hose, breather.....	12 326 18-S
20.	Screw, hex. flange M6x1.0x16 (5).....	M-645016-S
21.	Cover, valve w/nipple	12 096 47-S
22.	Screw, hex. flange M5x0.8x10.....	M-545010-S
23.	Retainer, breather reed.....	66 018 04-S
24.	Reed, breather	12 402 02-S

NOT ILLUSTRATED

	Valve, intake (.25)	12 017 02-S
	Valve, exhaust (.25)	12 016 02-S
	Gasket, carburetor	12 041 01-S
	Gasket, air cleaner base	12 041 02-S
	Gasket, exhaust manifold.....	12 041 03-S

IGNITION/ELECTRICAL - Group 5

1.	Screw, hex. flange M10x1.5x46.....	12 086 14-S
2.	Washer, plain 3/8"	12 468 03-S
3.	Retainer, grass screen (3).....	24 018 03-S
4.	Screen, grass	24 162 03-S
5.	Bolt, shoulder M6x1.0x25 (4)	25 086 47-S
6.	Fan	12 157 06-S
7.	Key	X-42-15-S
8.	Flywheel	12 025 33-S
9.	Rectifier-regulator.....	41 403 09-S
10.	Screw, hex. flange M5x0.8x10 (2).....	M-545010-S

11. Connector.....	236602-S
12. Connector.....	41 155 02-S
13. Screw, hex. cap M50.8x25 (2)	M-548025-S
14. Kit, stator (Includes 25 452 01-S)	237878-S
15. Spark Plug.....	12 132 02-S
16. Clip, cable (2)	X-728-1-S
17. Screw, hex. flange M5x0.8x10 (2).....	M-545010-S
18. Module, ignition	12 584 04-S
19. Screw, hex. flange M5x0.8x20 (2).....	M-545020-S
Clip, cable.....	12 154 07-S

NOT ILLUSTRATED

Bracket, ground strap.....	12 126 96-S
Screw, hex. #8 (2)	12 086 42-S
Lead, white (19" - 18 gauge - fully insulated female disconnect terminals And uninsulated female disconnect terminals)	12 518 01-S
Lead (5" - 14 gauge - female disconnect terminals)	25 518 05-S

BLOWER HOUSING & BAFFLES - Group 6

1. Screw, hex. flange M5x0.8x10 (6).....	M-545010-S
2. Washer, flat	25 468 07-S
3. Plate, blower housing.....	12 146 07-S
4. Screw, hex. flange M5x0.8x10 (2).....	M-550010-S
5. Cover, pinion	24 096 05-S
6. Housing, blower	12 027 55-S
7. Baffle, intake side.....	12 063 10-S
9. Baffle, cylinder head.....	12 063 08-S
10. Baffle, cylinder barrel	12 063 19-S
Screw, captive washer (2).....	12 086 37-S
Screw	M-561025-S
Washer, flat	24 468 10-S
Clip, mounting (3).....	25 154 02-S
Screw, hex. flange.....	M-645016-S

NOT ILLUSTRATED

Decal, 15 HP	12 113 112-S
Decal, clear lamination.....	25 113 39-S

STARTING SYSTEM - Group 7

1. Screw, hex. flange M8x1.25x70 (2)	M-839070-S
2. Starter assembly (Includes 3-8).....	25 098 07-S
3. Cap assembly.....	12 227 13-S
4. Bolt	12 211 01-S
5. Kit, drive	12 755 54-S
6. Cap, drive end.....	12 227 18-S
7. Armature.....	12 170 05-S
Kit, brush	12 221 01-S

FUEL SYSTEM - Group 8

1. Nut, hex. flange M6x1.0 (2).....	M-641060-S
2. Stud M6x1.0x116 (2).....	M-629116-S
3. Kit, carburetor w/gasket (Includes 4,5 [qty. 1]).....	12 853 93-S
4. Gasket, air cleaner	12 041 02-S
5. Gasket, carburetor (2).....	12 041 01-S
6. Deflector, heat.....	12 265 08-S
7. Clamp, hose (6).....	25 237 14-S
8. Filter, fuel.....	25 050 22-S

9.	Kit, fuel pump (Includes 10-)	12 559 02-S
10.	Connector, hose 90°	12 294 13-S
11.	O-Ring	25 153 04-S
12.	Screw, hex. flange	M-645020-S
13.	Connector, straight hose	25 294 09-S
14.	Line, fuel 1-1/4"	12 353 01-S
15.	Line, metal fuel	12 123 19-S
16.	Clip, tube & wiring	12 154 01-S
17.	Screw, hex. flange M5x0.8x10	M-545010-S
18.	Line, fuel 8"	52 353 18-S

NOT ILLUSTRATED

Lead	12 518 24-S
Terminal	25 452 20-S
Screw, thread forming M5x0.8x10	M-561010-S
Washer, lock	X-22-11-S
Kit, float	12 757 02-S
Kit, carburetor repair	12 757 03-S
Kit, choke repair	12 757 08-S
Kit, repair solenoid	12 757 33-S
Kit, bowl replacement w/gaskets	12 757 37-S
Kit, high altitude w/gaskets	12 755 92-S
Tie, wire	12 454 03-S
Tie, wire	25 454 03-S

ENGINE CONTROLS - Group 9

1.	Screw, lobed socket M6x1.0x20 (2)	M-664020-S
2.	Screw, hex. flange M5x0.8x16	M-545016-S
3.	Clamp, cable	12 237 01-S
4.	Control, speed assembly (Includes 5-7)	12 536 01-S
5.	Screw, pan hd. w/loctite	12 086 39-S
6.	Spring, speed control	12 089 11-S
7.	Spring, choke return	12 089 23-S
8.	Spring, governor	12 089 32-S
9.	Kit, governor lever (Includes 10-12)	12 755 83-S
10.	Nut, hex. flange 1/4-20	12 100 07-S
11.	Bolt, round head	52 211 04-S
12.	Lever, governor	12 090 28-S
13.	Bushing, linkage retaining	25 158 08-S
14.	Linkage, throttle	12 079 01-S
15.	Bushing, throttle linkage	25 158 11-S
16.	Linkage, choke	12 079 07-S

AIR INTAKE/FILTRATION - Group 10

1.	Kit, air cleaner (Includes 2-12)	12 743 04-S
2.	Knob, air cleaner cover	20 341 01-S
3.	Cover, air cleaner	12 096 44-S
4.	Element, precleaner	12 083 12-S
5.	Element, air cleaner (Includes 6)	12 083 10-S
6.	Kit, air cleaner seal (Includes 7,8)	12 743 12-S
7.	Wing Nut	12 100 01-S
8.	Seal ???	12 032 11-S
9.	Base, air cleaner (Includes 10,11)	12 094 14-S
10.	Stud M6x1.0x66	12 072 04-S
11.	Screw, #10 Hi-Lo thread forming (2)	12 086 01-S
12.	Gasket, air cleaner	12 041 02-S

- 13. Duct, air 12 281 02-S
- NOT ILLUSTRATED**
- Decal, air cleaner 12 113 04-S

EXHAUST - Group 11

- 1. Stud M8x1.25x33 (2) 25 072 04-S
- 2. Gasket, exhaust manifold 12 041 03-S
- 3. Nut, hex. flange M8x1.25 M-841080-S
- 4. Bracket, lifting strap 12 126 87-S
- 5. Screw, hex. flange M6x1.0x20 M-645020-S

- Short Block 12 522 18
- Gasket Set 12 755 93-S