

# Kohler 20 hp

**Spare parts**

**Ersatzteile**

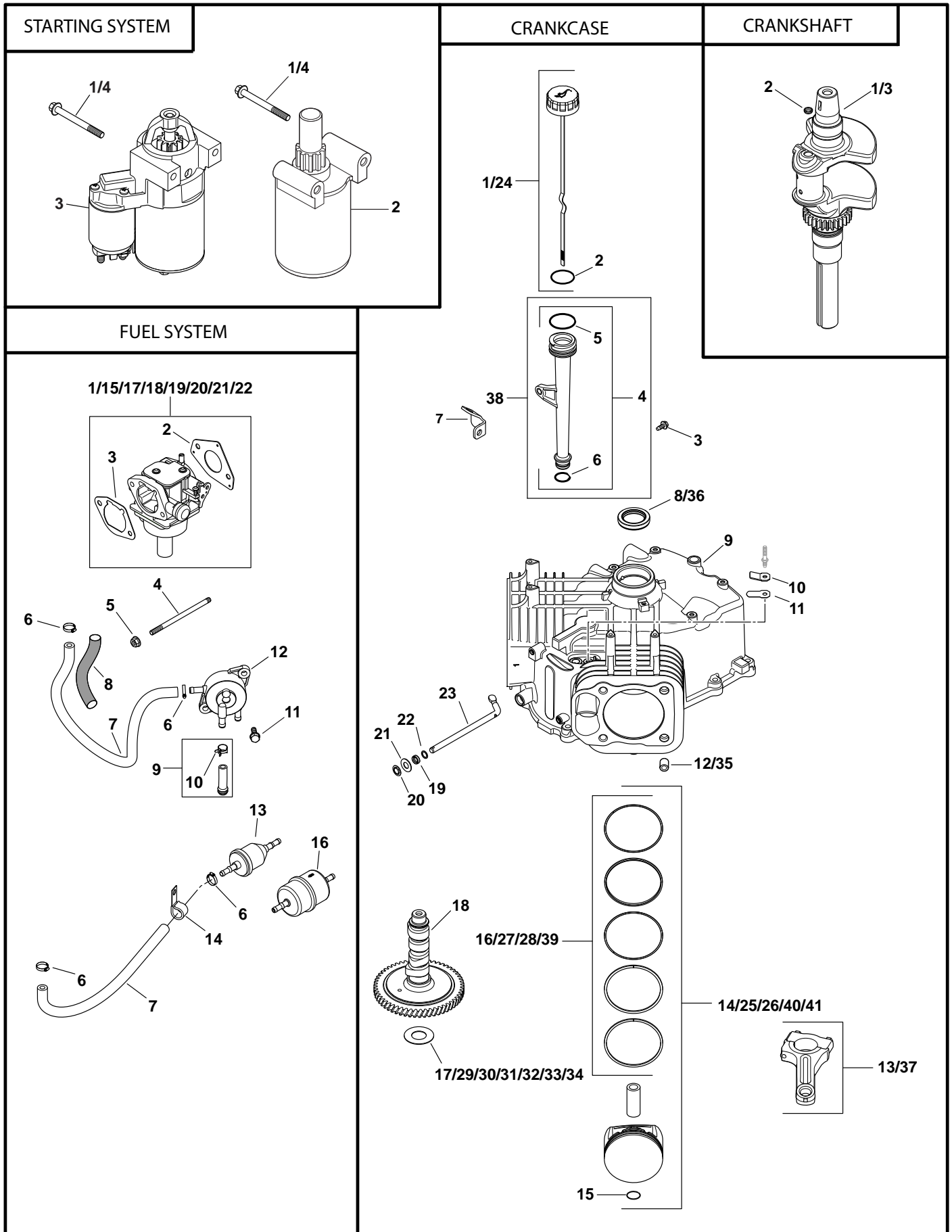
**Pièces détachées**

**Reserve onderdelen**

**Repuestos**

**Reservdelar**

# KOHLER ENGINE - MODEL NO. SV710, TYPE NO.0021



# KOHLER ENGINE - MODEL NO. SV710, TYPE NO.0021

## CRANKSHAFT

KEY NO.	PART NO.	DESCRIPTION
2	531 02 96-54 1	PLUG, CUP
3	531 02 99-43 1	CRANKSHAFT (INCLUDES 2)

## CRANKCASE

KEY NO.	PART NO.	DESCRIPTION
2	531 02 99-44 1	DIPSTICK, ASSY (CUB YELLOW) (INCLUDES 2)
3	531 02 95-50 1	SCREW, FLG THD FRM M5X0.8X13
7	531 02 96-59 1	BRACKET, OIL FILL TUBE
10	531 02 96-56 1	RETAINER, BREATHER REED
11	544 84 03-01 1	REED, BREATHER
12	531 02 96-35 6	PIN, LOCATING
14	531 02 99-04 2	KIT, PISTON W/RING SET (STD) (INCLUDES 15, 16)
15	531 02 96-45 4	RETAINER, PISTON PIN
17	531 02 96-48 1	SHIM, CAMSHAFT (WHITE .028")
18	531 02 99-50 1	KIT, CAMSHAFT (INCLUDES 25 357 14-S)
19	531 02 96-68 1	SEAL, GOVERNOR CROSS SHAFT
20	531 02 96-66 1	RETAINER, RING
21	531 02 96-67 1	WASHER, FLAT 9 MM
22	531 02 96-69 1	WASHER, FLAT 11/32"
23	531 02 96-70 1	SHAFT, GOVERNOR CROSS
24	531 02 96-63 1	DIPSTICK, ASSY (INCLUDES 2)
25	525 58 90-01 1	KIT, PISTON W/RING SET (0.25) 83mm
28	531 02 99-09 2	RING SET (.25)
29	531 02 96-49 1	SHIM, CAMSHAFT (BLUE .03")
30	531 02 96-46 1	SHIM, CAMSHAFT (RED .032")
31	531 02 96-50 1	SHIM, CAMSHAFT (YELLOW .034")
32	531 02 96-51 1	SHIM, CAMSHAFT (GREEN .036")
33	531 02 96-52 1	SHIM, CAMSHAFT (GRAY .038")
34	531 02 96-47 1	SHIM, CAMSHAFT (BLACK .04")
36	531 02 97-79 1	SEAL, OIL (HELIX LIP)
37	531 02 96-36 2	CONNECTING ROD (STD)
38	531 02 96-60 1	TUBE ASSEMBLY (INCLUDES 4-6)
39	525 58 62-01 1	RING SET (STD)
40	544 84 14-01 1	USE 24 874 27-S KIT
NOT ILLUSTRATED		
	544 84 04-01 1	LUBRICANT, CAMSHAFT

## STARTING SYSTEM

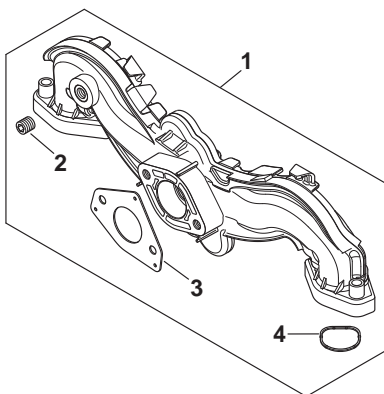
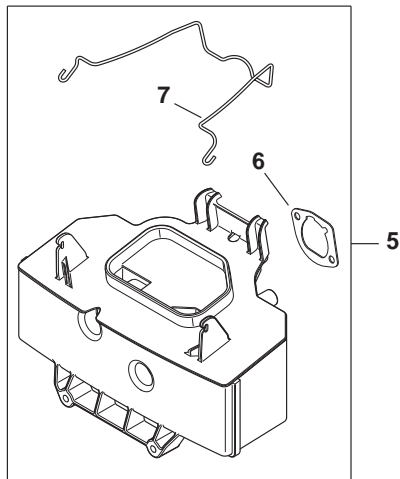
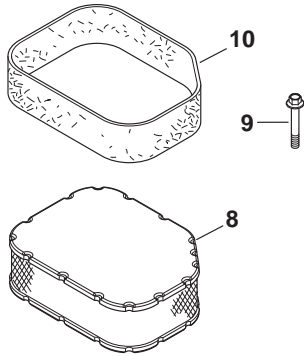
KEY NO.	PART NO.	DESCRIPTION
2	531 02 99-85 1	STARTER ASSEMBLY
4	525 59 04-01 2	SCREW, FLG M8X1.25X80

## FUEL SYSTEM

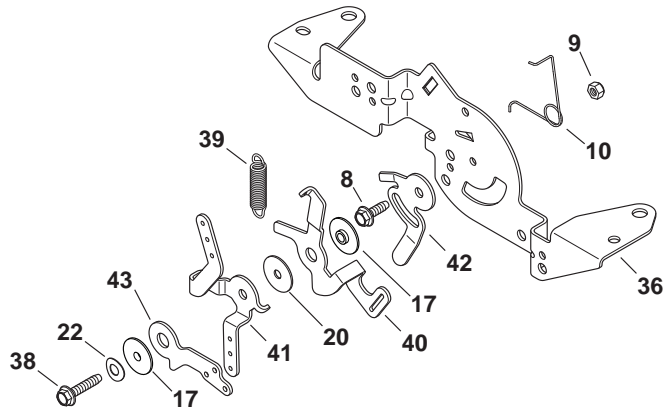
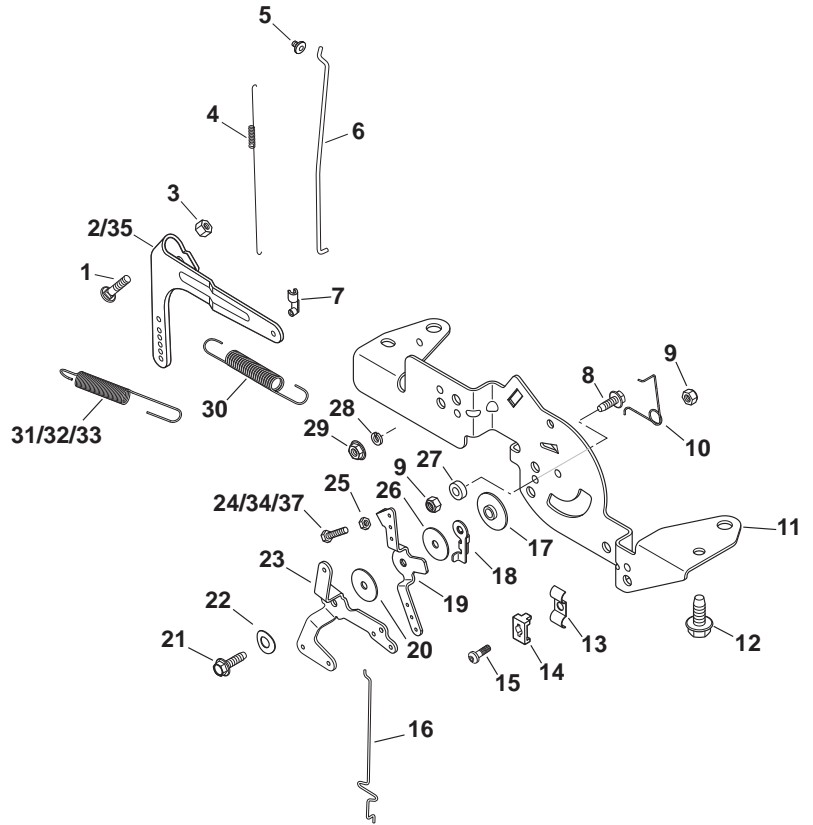
KEY NO.	PART NO.	DESCRIPTION
2	531 02 95-90 1	GASKET, CARBURETOR
3	531 02 97-80 1	GASKET, AIR CLEANER BASE
4	531 02 99-92 2	STUD, M6X1.0X106
5	531 02 96-02 2	NUT, FLG M6X1.0
6	531 02 96-04 4	CLAMP, HOSE 1/2"
7	531 02 98-55 2	LINE, FUEL (24"-CUT TO LENGTH)
11	531 02 96-79 2	SCREW, TAP M6X1.7X18
12	531 02 97-87 1	PUMP, FUEL
13	531 02 98-62 1	FILTER, FUEL
14	531 02 97-83 1	CLIP, CABLE
15	531 02 99-86 1	KIT, CARBURETOR, 19mm KEIHIN (INCLUDES 2,3)
NOT ILLUSTRATED		
	531 02 99-94 1	SCREW, THROTTLE STOP
	531 02 97-93 1	KIT, REPAIR OVERHAUL (INCLUDES 2,3)
	531 02 97-94 1	KIT, REPAIR SERVICE CHOKE (INCLUDES 2,3)
	531 02 97-95 1	KIT, REPAIR SERVICE GASKET (INCLUDES 2,3)
	531 02 97-96 1	KIT, REPAIR SOLENOID VALVE (INCLUDES 2,3)

# KOHLER ENGINE - MODEL NO. SV710, TYPE NO.0021

## AIR INTAKE/FILTRATION



## ENGINE CONTROLS



# KOHLER ENGINE - MODEL NO. SV710, TYPE NO.0021

## ENGINE CONTROLS

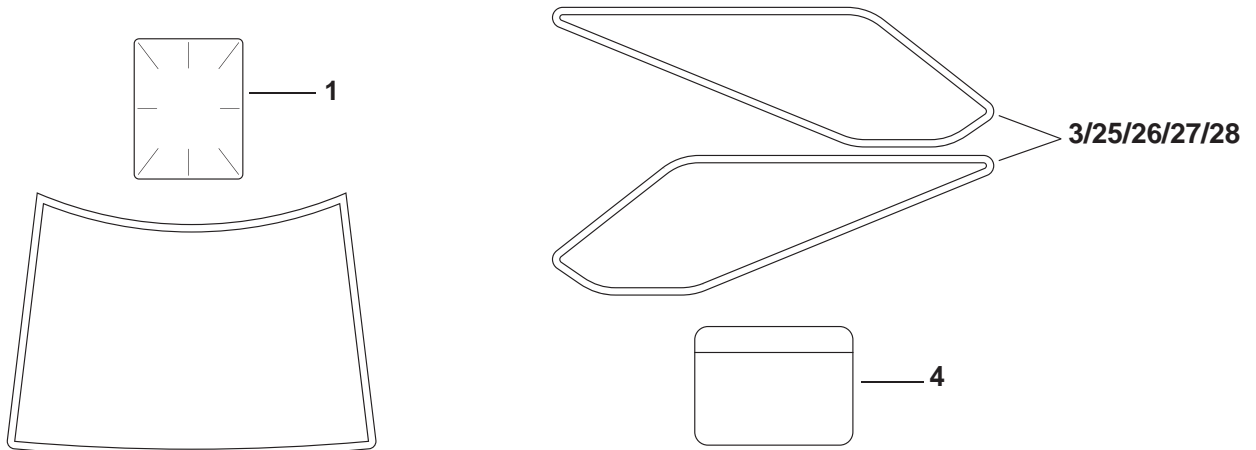
KEY NO.	PART NO.	DESCRIPTION
1	531 02 97-97 1	BOLT, RD HD SQ NECK M6X1.0X25
3	531 02 96-02 1	NUT, FLG M6X1.0
4	531 02 98-00 1	SPRING, LINKAGE
5	531 02 96-26 1	BUSHING, LINKAGE RETAINING
6	531 02 98-02 1	LINKAGE, THROTTLE
7	531 02 96-24 1	BUSHING, THROTTLE LINKAGE
12	531 02 97-62 4	SCREW, FLG THD FRM M6X1.0X16
14	531 02 96-13 3	CLAMP, CABLE
15	531 02 96-14 3	SCREW, LBD THD FRM M5x0.8x16
16	531 02 98-21 1	LINKAGE, CHOKE
30	531 02 98-23 1	SPRING, GOVERNOR
33	525 58 61-01 1	SPRING, GOVERNOR
35	531 02 97-98 1	LEVER, GOVERNOR

## AIR INTAKE/FILTRATION

KEY NO.	PART NO.	DESCRIPTION
1	525 58 63-01 1	KIT, INTAKE MANIFOLD
5	531 02 99-96 1	KIT, AIR CLEANER BASE
6	531 02 97-80 1	GASKET, AIR CLEANER BASE
7	531 02 99-97 1	LATCH, AIR CLEANER ELEMENT
8	531 02 99-02 1	ELEMENT, AIR FILTER
9	531 02 98-41 4	SCREW, FLG M6X1.0X40

# KOHLER ENGINE - MODEL NO. SV710, TYPE NO.0021

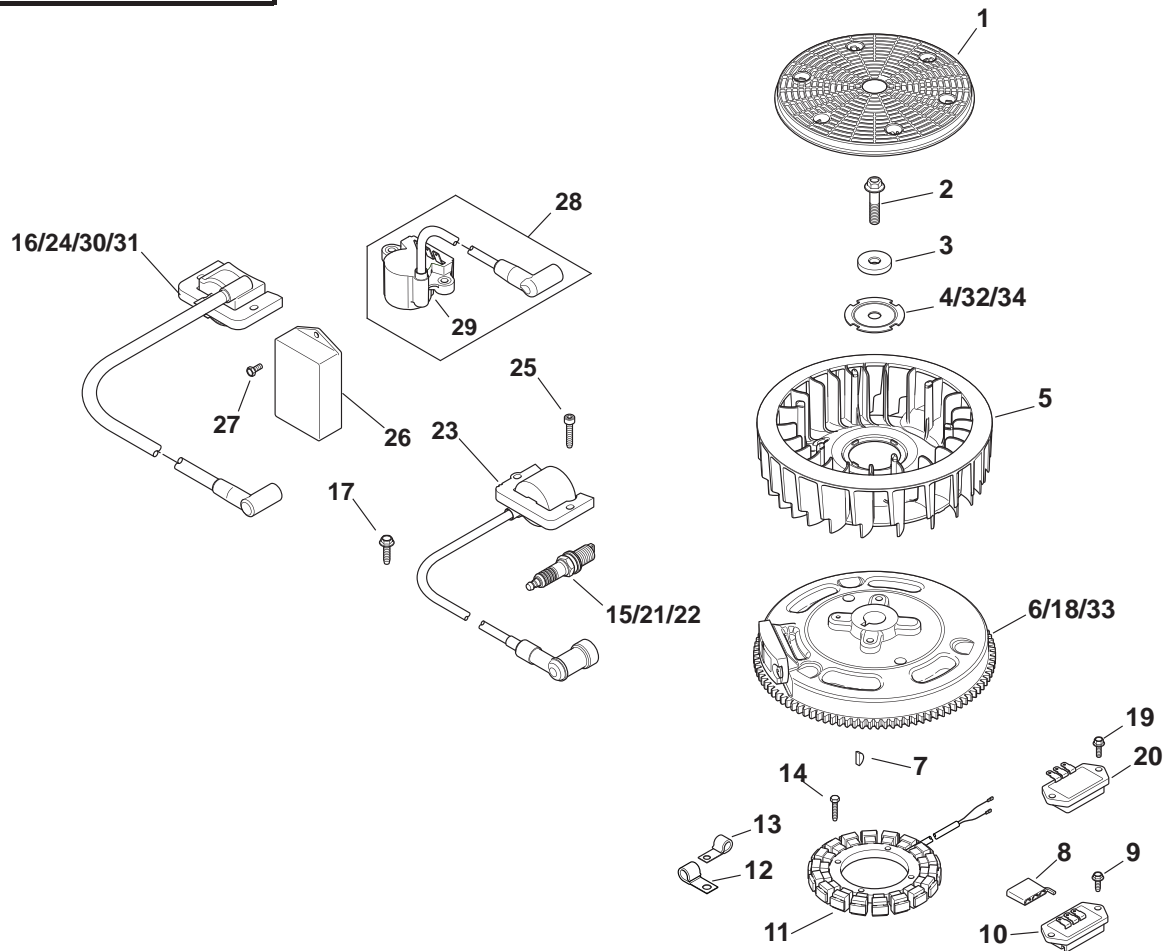
## DECALS



2/5/6/7/8/9/10/11/12/13/14/15/  
16/17/18/19/20/21/22/23/24/29

Artwork is representative.  
Actual labels may differ depending  
on model and specification number.

## IGNITION/ELECTRICAL



# KOHLER ENGINE - MODEL NO. SV710, TYPE NO.0021

## DECALS

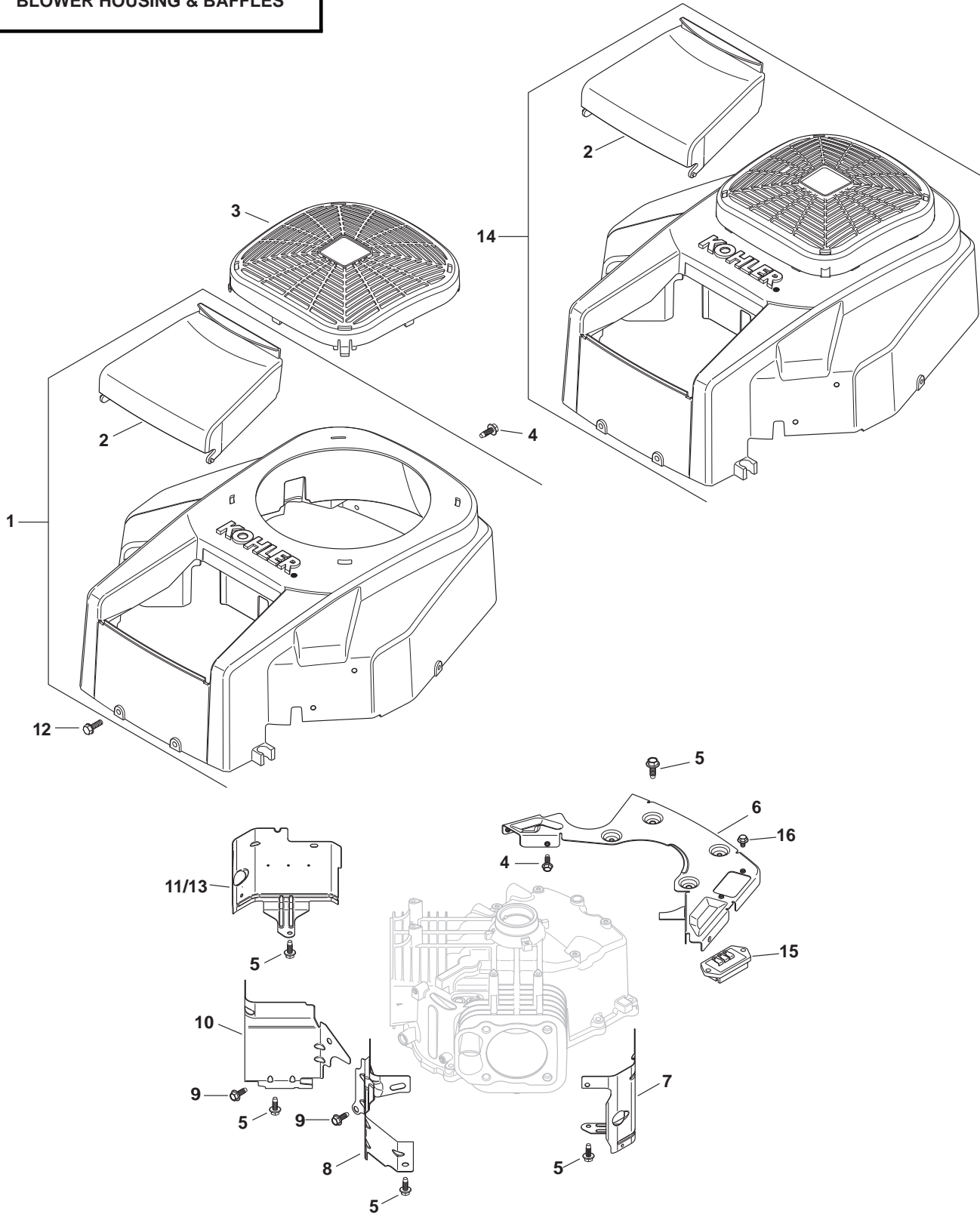
KEY NO.	PART NO.	DESCRIPTION
1	531 02 98-42 1	DECAL, CLEAR LAMINATE
2	544 46 60-01 1	DECAL, 20 HP
4	525 58 92-01 1	DECAL, FILL CHECK

## IGNITION/ELECTRICAL

KEY NO.	PART NO.	DESCRIPTION
1	531 02 99-70 1	SCREEN, GRASS
2	531 02 95-73 1	SCREW, FLG M10X1.5X45
3	531 02 95-74 1	WASHER, FLAT 13/32"
4	544 93 68-01 1	PLATE, FAN MOUNTING
5	531 02 99-73 1	FAN
6	531 02 99-74 1	FLYWHEEL ASSEMBLY (SV710/ SV730)
7	531 02 95-11 1	KEY, 3/16" X 5/8"
8	523 06 06-01 1	CONNECTOR
11	531 02 95-82 1	KIT, 15 AMP STATOR (INCLUDES 25 452 01-S)
12	531 02 97-83 1	CLIP, CABLE
14	531 02 95-81 2	SCREW, THD FRM M5X0.8X25
16	531 02 99-76 2	USE 2458445-SIGNITION MODULE
17	531 02 95-84 4	SCREW, FLG THD FRM M5X.8X20
22	531 02 99-75 2	SPARK PLUG, RFI
NOT ILLUSTRATED		
	531 02 97-54 2	TIE, WIRE
	544 93 71-01 1	TIE
	531 02 99-77 1	KIT, WIRE HARNESS
	544 93 71-01 1	TIE
	531 02 97-54 2	TIE, WIRE
	544 93 75-01 2	TERMINAL

# KOHLER ENGINE - MODEL NO. SV710, TYPE NO.0021

## BLOWER HOUSING & BAFFLES





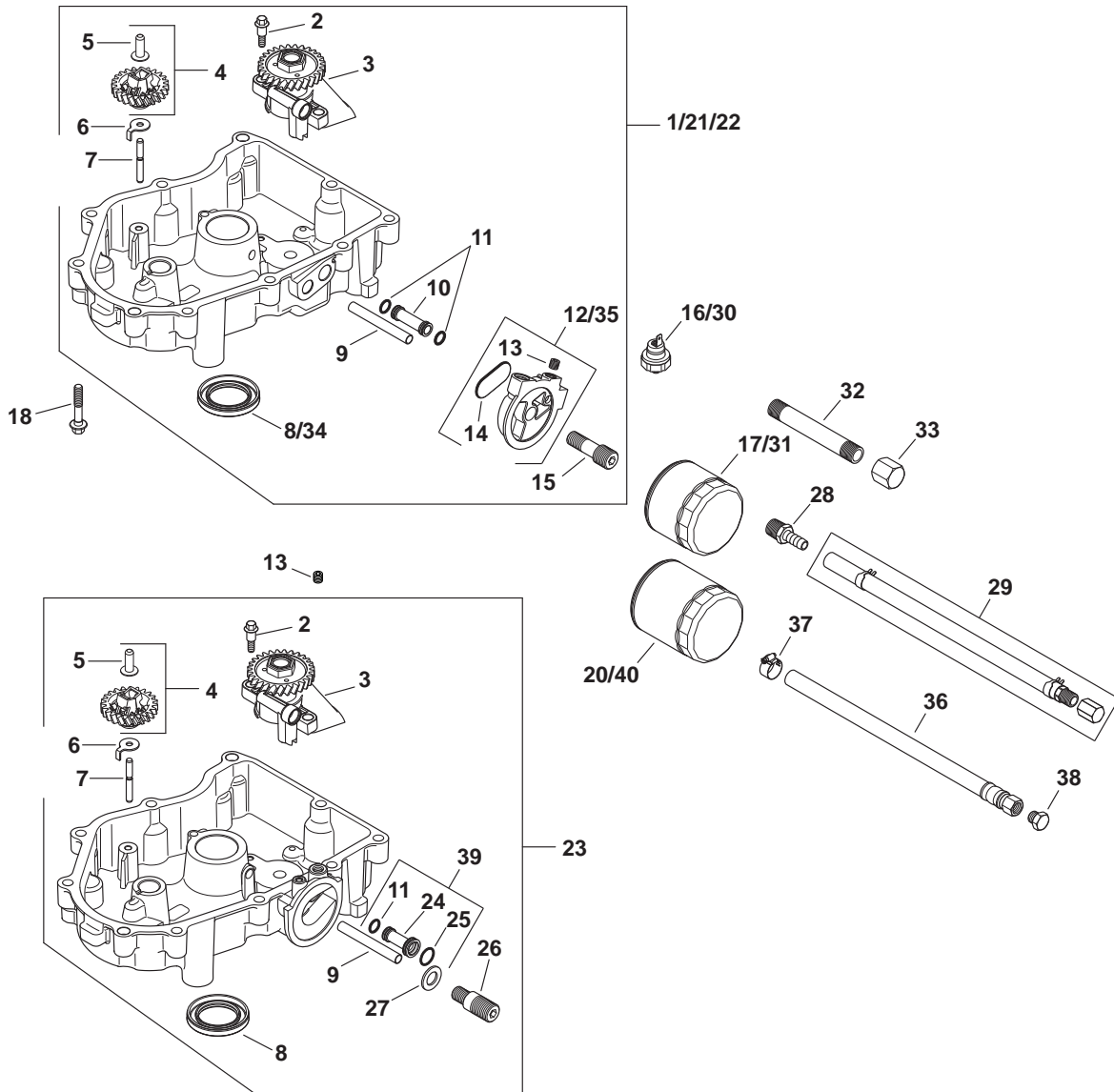
# KOHLER ENGINE - MODEL NO. SV710, TYPE NO.0021

## BLOWER HOUSING & BAFFLES

KEY NO.	PART NO.	DESCRIPTION
1	531 02 99-78 1	KIT, HOUSING BLOWER (INCLUDES 2, 41 037 10-S)
2	531 02 99-79 1	COVER, AIR CLEANER
4	531 02 96-61 6	SCREW, FLG THD FRM M5X0.8X16
5	531 02 97-62 8	SCREW, FLG THD FRM M6X1.0X16
6	531 02 99-80 1	KIT, BACKING PLATE
7	531 02 99-81 1	BAFFLE, CYL BARREL - #2 SIDE
8	531 02 99-82 1	BAFFLE, VALLEY #2 SIDE
9	531 02 96-55 2	SCREW, FLG THD FRM M5X.8X10
10	531 02 99-83 1	BAFFLE, VALLEY #1 SIDE
11	531 02 99-84 1	BAFFLE, CYL BARREL - #1 SIDE
12	531 02 96-79 2	SCREW, TAP M6X1.7X18
15	504 57 71-01 1	REGULATOR/RECTIFIER
16	525 58 64-01 2	SCREW, FLNG THD FRM M6X1.0X10
NOT ILLUSTRATED		
	531 02 99-27 1	NAMEPLATE, SERVICE

# KOHLER ENGINE - MODEL NO. SV710, TYPE NO.0021

## OIL PAN/LUBRICATION



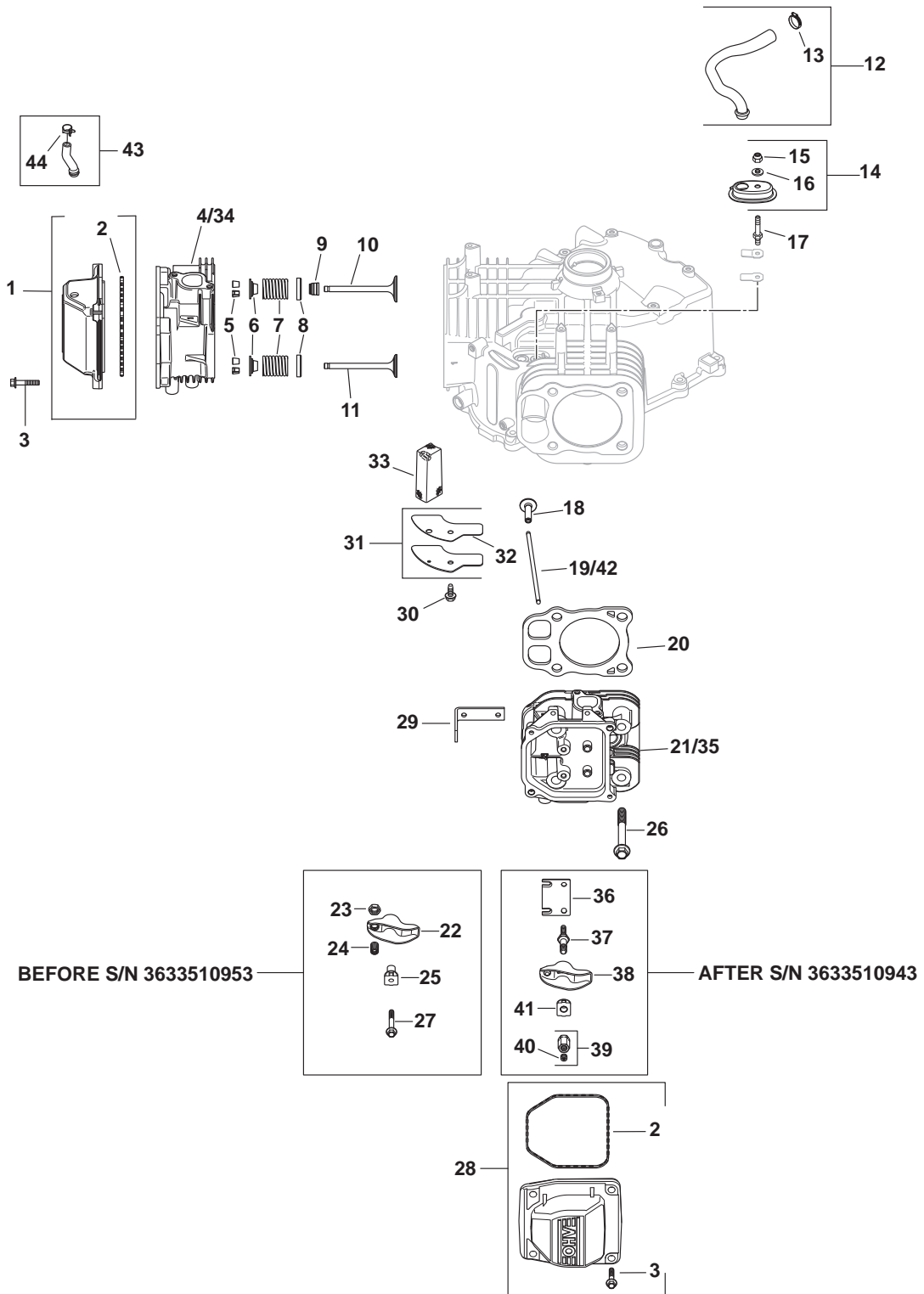
# KOHLER ENGINE - MODEL NO. SV710, TYPE NO.0021

## OIL PAN/LUBRICATION

KEY NO.	PART NO.	DESCRIPTION
2	531 02 99-55 2	SCREW, SHD THD FRM M6X.0X6.5
3	531 02 99-56 1	PUMP ASSEMBLY, OIL
4	531 02 96-78 1	KIT, GOVERNOR GEAR W/PIN (INCLUDES 5)
5	531 02 95-49 1	PIN, GOVERNOR REGULATING
6	531 02 99-12 1	TAB, LOCKING
7	531 02 96-81 1	SHAFT, GOVERNOR GEAR
8	531 02 96-83 1	SEAL, OIL
9	531 02 99-57 1	TUBE, OIL FEED - FILTER TO PAN
11	531 02 96-74 2	O-RING, OIL PICK-UP
13	531 02 95-43 1	PLUG, CTSK PIPE 1/8"
17	531 02 97-86 1	FILTER, OIL
18	531 02 96-88 10	SCREW, FLG M8X1.25X45
23	531 02 99-54 1	PAN ASSEMBLY, OIL (INCLUDES 2-9,11[QTY 1],24-27)
24	525 58 93-01 1	TUBE, OIL FEED
25	525 58 96-01 1	O-RING
26	525 58 95-01 1	NIPPLE, OIL FILTER
27	525 59 01-01 1	WASHER, FLAT
39	525 58 94-01 1	OIL FEED TUBE ASSEMBLY (INCLUDES 11[QTY 1],24,25)

# KOHLER ENGINE - MODEL NO. SV710, TYPE NO.0021

## HEAD/VALVE/BREATHER



# KOHLER ENGINE - MODEL NO. SV710, TYPE NO.0021

## HEAD/VALVE/BREATHER

KEY NO.	PART NO.	DESCRIPTION
1	531 02 99-69 1	KIT, BREATHER VALVE COVER (INCLUDES 2[QTY 1])
2	531 02 99-15 2	O-RING, VALVE COVER
3	531 02 99-14 8	SCREW, FLG M6X1.0X30
5	531 02 97-17 8	KIT, RETAINER
6	531 02 97-16 4	CAP, VALVE SPRING
7	531 02 97-15 4	SPRING, VALVE
8	531 02 97-14 4	RETAINER, SPRING
9	531 02 97-13 2	SEAL, VALVE STEM
10	531 02 97-11 2	VALVE, INTAKE (STD)
11	531 02 97-09 2	VALVE, EXHAUST (STD)
12	531 02 99-45 1	KIT, BREATHER HOSE (INCLUDES 13)
13	531 02 96-04 1	CLAMP, HOSE 1/2"
14	531 02 99-47 1	KIT, BREATHER HOUSING (INCLUDES 15,16)
15	531 02 98-05 1	NUT, LOCK M5X.8
16	531 02 99-46 1	WASHER, SEALING
17	531 02 99-48 1	STUD, BREATHER COVER
18	531 02 99-62 4	TAPPET
20	525 59 02-01 1	KIT, CYLINDER HEAD GASKET (INCLUDES 26[QTY 4] & 24 041 49-S, 24 153 27-S)
26	531 02 97-03 8	SCREW, FLG M10X1.5X90
28	531 02 98-75 1	KIT, BREATHER VALVE COVER (INCLUDES 2[QTY 1], 3[QTY 4])
29	525 58 89-01 1	STRAP, LIFTING
30	531 02 97-62 1	SCREW, FLG THD FRM M6X1.0X16
31	531 02 99-51 1	KIT, BREATHER COVER (INCLUDES 32)
33	531 02 99-53 1	FILTER, BREATHER
34	525 58 97-01 1	KIT, #1 CYLINDER HEAD ASSY (INCLUDES EXHAUST MOUNTING HARDWARE)
35	531 02 99-64 1	KIT, #2 CYLINDER HEAD ASSY (INCLUDES EXHAUST MOUNTING HARDWARE)
36	504 57 62-01 2	PLATE, GUIDE
37	504 57 59-01 4	STUD, ROCKER
38	531 02 99-65 4	ARM, ROCKER
39	525 58 91-01 4	HEXNUTASSEMBLY(INCLUDES40)
40	525 58 88-01 4	SCREW, SET
41	504 57 56-01 4	PIVOT, ROCKER ARM
42	525 59 00-01 4	ROD, PUSH
43	525 58 98-01 1	KIT, FUEL PUMP HOSE W/CLAMP (INCLUDES 44)
44	531 02 99-93 1	CLAMP, HOSE
NOT ILLUSTRATED	504 57 69-01 1	KIT, CYLINDER HEAD HARDWARE(SERVICES 1HEAD. QUANTITIES LISTED ARE FOR BOTH HEADS) (INCLUDES 5-11,19,22,25,34)
	531 02 98-43 1	GASKET, EXHAUST
	531 02 97-40 1	O-RING, INTAKE PORT