



# Kohler 20 hp

**Spare parts**

**Ersatzteile**

**Pièces détachées**

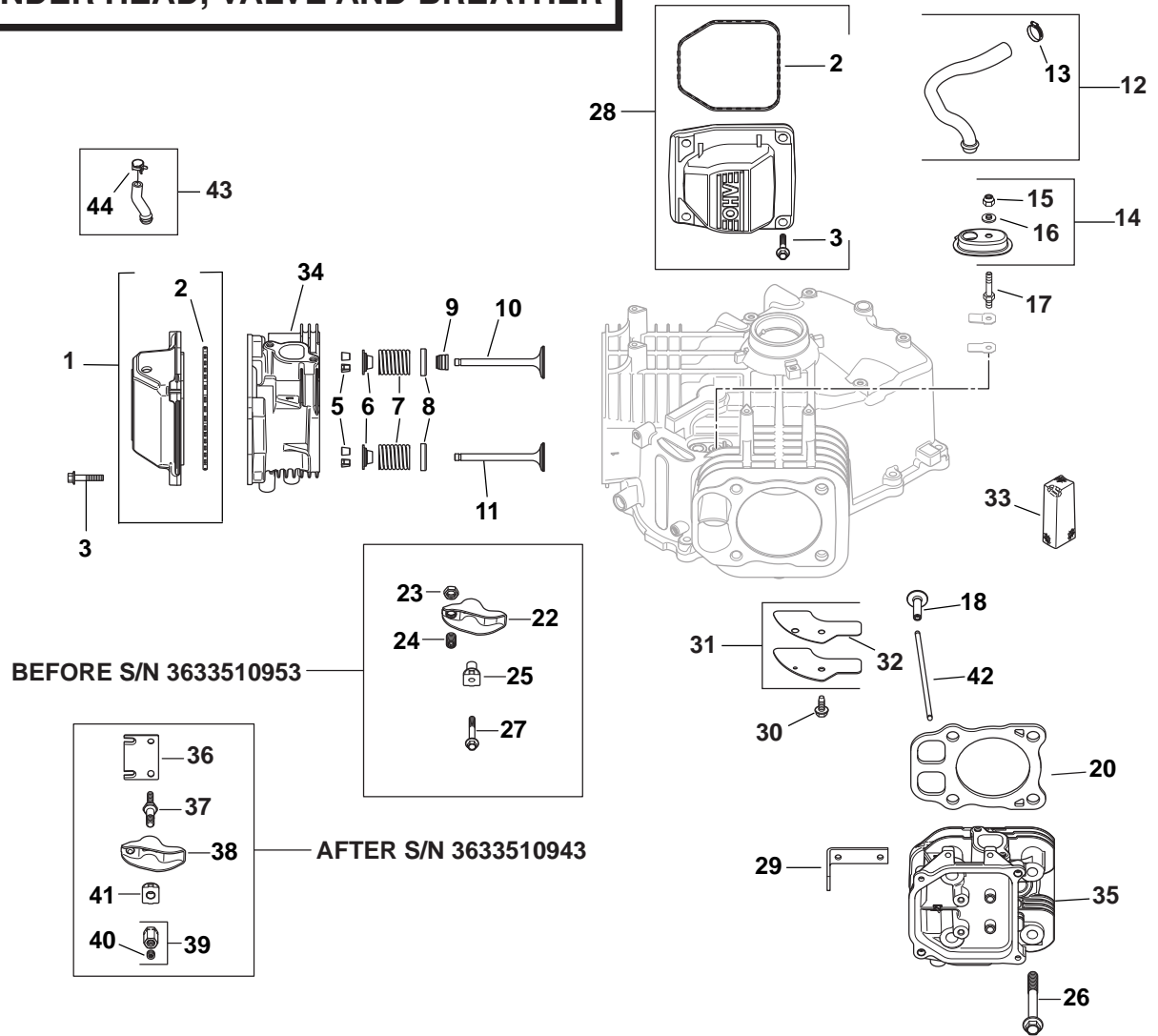
**Reserve onderdelen**

**Repuestos**

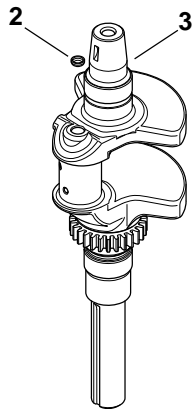
**Reservdelar**

# KOHLER ENGINE - MODEL NO. SV710, TYPE NO.0022

## CYLINDER HEAD, VALVE AND BREATHER



## CRANKSHAFT



# KOHLER ENGINE - MODEL NO. SV710, TYPE NO.0022

## HEAD/VALVE/BREATHER

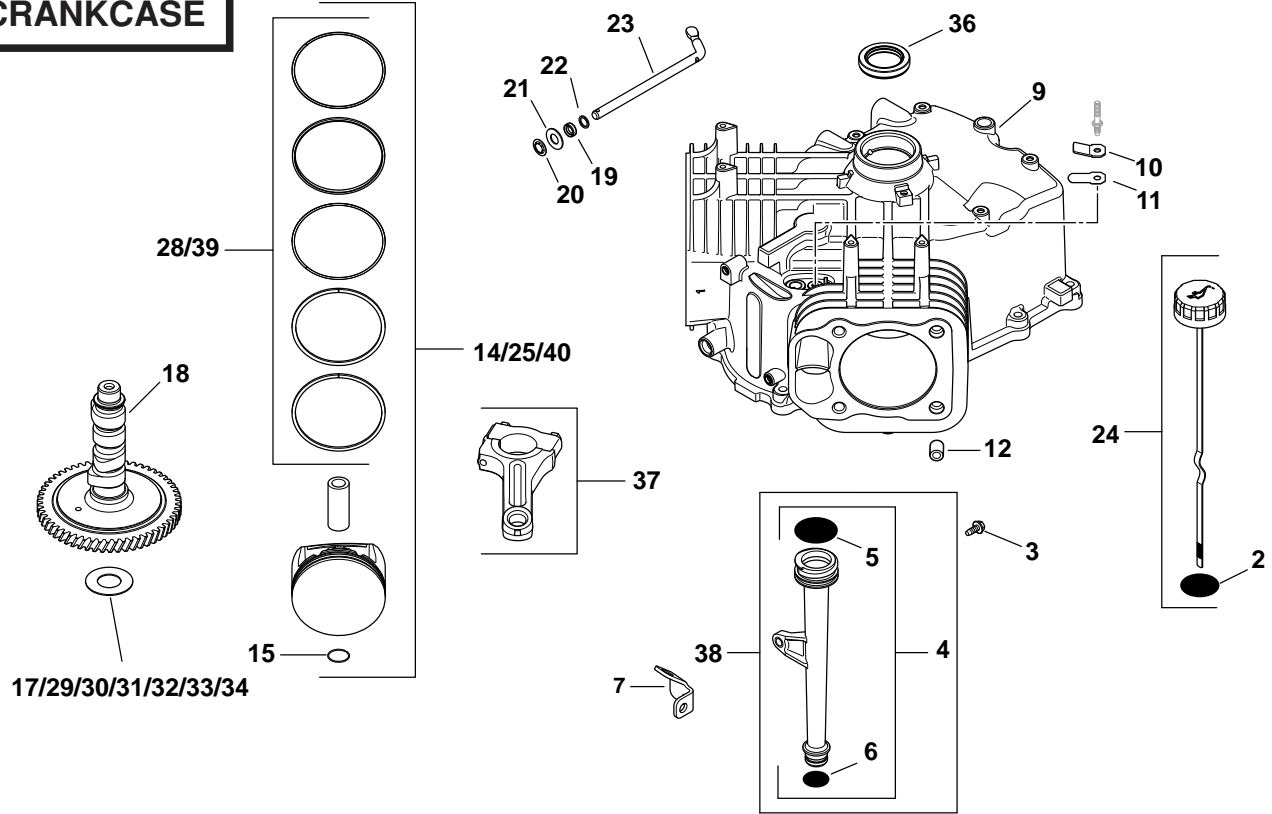
KEY NO.	PART NO.	DESCRIPTION
1	531 02 99-69 1	Kit, breather valve cover (includes 2[qty 1])
2	531 02 99-15 2	O-ring, valve cover
3	531 02 99-14 8	Screw, flg m6x1.0x30
5	531 02 97-17 8	Kit, retainer
6	531 02 97-16 4	Cap, valve spring
7	531 02 97-15 4	Spring, valve
8	531 02 97-14 4	Retainer, spring
9	531 02 97-13 2	Seal, valve stem
10	531 02 97-11 2	Valve, intake (std)
11	531 02 97-09 2	Valve, exhaust (std)
12	531 02 99-45 1	Kit, breather hose (includes 13)
13	531 02 96-04 1	Clamp, hose 1/2"
14	531 02 99-47 1	Kit, breather housing (includes 15,16)
15	531 02 98-05 1	Nut, lock m5x.8
16	531 02 99-46 1	Washer, sealing
17	531 02 99-48 1	Stud, breather cover
18	531 02 99-62 4	Tappet
20	525 59 02-01 1	Kit, cylinder head gasket (includes 26[qty 4] & 24 041 49-s, 24 153 27-s)
26	531 02 97-03 8	Screw, flg m10x1.5x90
28	531 02 98-75 1	Kit, breather valve cover (includes 2[qty 1], 3[qty 4])
29	525 58 89-01 1	Strap, lifting
30	531 02 97-62 1	Screw, flg thd frm m6x1.0x16
31	531 02 99-51 1	Kit, breather cover (includes 32)
33	531 02 99-53 1	Filter, breather
34	525 58 97-01 1	Kit, #1 cylinder head assy (includes exhaust mounting hardware)
35	531 02 99-64 1	Kit, #2 cylinder head assy (includes exhaust mounting hardware)
36	504 57 62-01 2	Plate, guide
37	504 57 59-01 4	Stud, rocker
38	531 02 99-65 4	Arm, rocker
39	525 58 91-01 4	Hex nut assembly (includes 40)
40	525 58 88-01 4	Screw, set
41	504 57 56-01 4	Pivot, rocker arm
42	525 59 00-01 4	Rod, push
43	525 58 98-01 1	Kit, fuel pump hose w/clamp (includes 44)
44	531 02 99-93 1	Clamp, hose
NOT ILLUSTRATED		
	504 57 69-01 1	Kit, cylinder head hardware (services head. Quantities listed are for both heads) (includes 5-11,19,22,25,34)
	531 02 98-43 1	Gasket, exhaust
	531 02 97-40 1	O-ring, intake port

## CRANKSHAFT

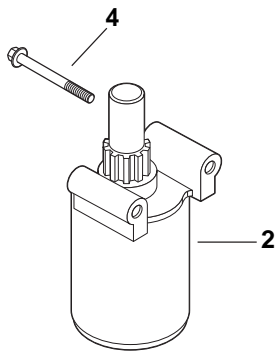
KEY NO.	PART NO.	DESCRIPTION
2	531 02 96-54 1	Plug, cup
3	531 02 99-43 1	Crankshaft (includes 2)

# KOHLER ENGINE - MODEL NO. SV710, TYPE NO.0022

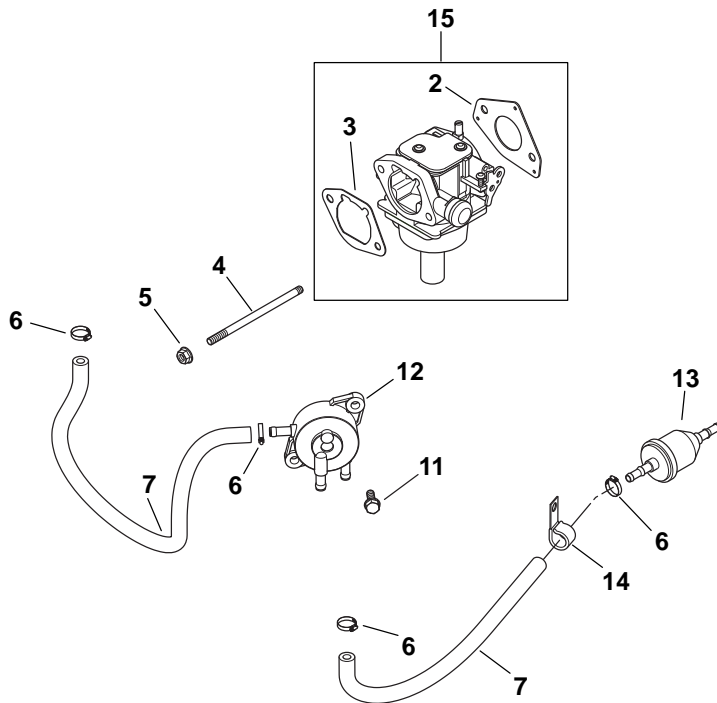
## CRANKCASE



## STARTING SYSTEM



## FUEL SYSTEM



# KOHLER ENGINE - MODEL NO. SV710, TYPE NO.0022

## CRANKCASE

KEY NO.	PART NO.	DESCRIPTION
2	531 02 99-44 1	Dipstick, assy (cub yellow) (includes 2)
3	531 02 95-50 1	Screw, flg thd frm m5x0.8x13
7	531 02 96-59 1	Bracket, oil fill tube
10	531 02 96-56 1	Retainer, breather reed
11	544 84 03-01 1	Reed, breather
12	531 02 96-35 6	Pin, locating
14	531 02 99-04 2	Kit, piston w/ring set (std) (includes 15, 16)
15	531 02 96-45 4	Retainer, piston pin
17	531 02 96-48 1	Shim, camshaft (white .028")
18	531 02 99-50 1	Kit, camshaft (includes 25 357 14-s)
19	531 02 96-68 1	Seal, governor cross shaft
20	531 02 96-66 1	Retainer, ring
21	531 02 96-67 1	Washer, flat 9 mm
22	531 02 96-69 1	Washer, flat 11/32"
23	531 02 96-70 1	Shaft, governor cross
24	531 02 96-63 1	Dipstick, assy (includes 2)
25	525 58 90-01 1	Kit, piston w/ring set (0.25) 83mm
28	531 02 99-09 2	Ring set (.25)
29	531 02 96-49 1	Shim, camshaft (blue .03")
30	531 02 96-46 1	Shim, camshaft (red .032")
31	531 02 96-50 1	Shim, camshaft (yellow .034")
32	531 02 96-51 1	Shim, camshaft (green .036")
33	531 02 96-52 1	Shim, camshaft (gray .038")
34	531 02 96-47 1	Shim, camshaft (black .04")
36	531 02 97-79 1	Seal, oil (helix lip)
37	531 02 96-36 2	Connecting rod (std)
38	531 02 96-60 1	Tube assembly (includes 4-6)
39	525 58 62-01 1	Ring set (std)
40	544 84 14-01 1	Use 24 874 27-s kit
NOT ILLUSTRATED		
	544 84 04-01 1	Lubricant, camshaft

## FUEL SYSTEM

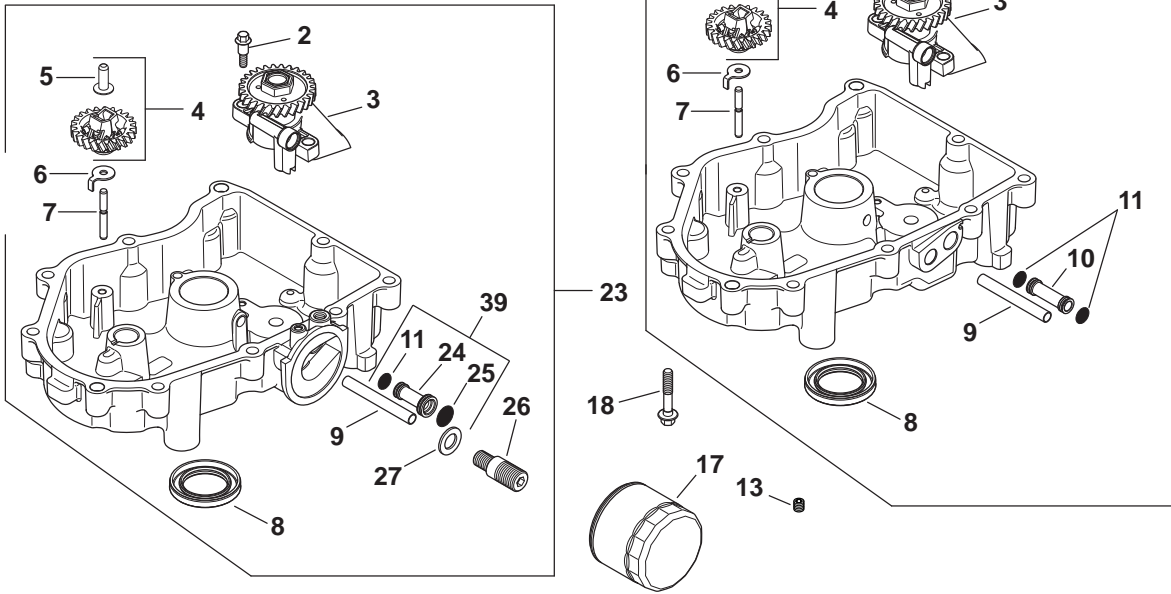
KEY NO.	PART NO.	DESCRIPTION
2	531 02 95-90 1	Gasket, carburetor
3	531 02 97-80 1	Gasket, air cleaner base
4	531 02 99-92 2	Stud, m6x1.0x106
5	531 02 96-02 2	Nut, flg m6x1.0
6	531 02 96-04 4	Clamp, hose 1/2"
7	531 02 98-55 2	Line, fuel (24"-cut to length)
11	531 02 96-79 2	Screw, tap m6x1.7x18
12	531 02 97-87 1	Pump, fuel
13	531 02 98-62 1	Filter, fuel
14	531 02 97-83 1	Clip, cable
15	531 02 99-86 1	Kit, carburetor, 19mm keihin (includes 2,3)
NOT ILLUSTRATED		
	531 02 99-94 1	Screw, throttle stop
	531 02 97-93 1	Kit, repair overhaul (includes 2,3)
	531 02 97-94 1	Kit, repair service choke (includes 2,3)
	531 02 97-95 1	Kit, repair service gasket (includes 2,3)
	531 02 97-96 1	Kit, repair solenoid valve (includes 2,3)

## STARTING SYSTEM

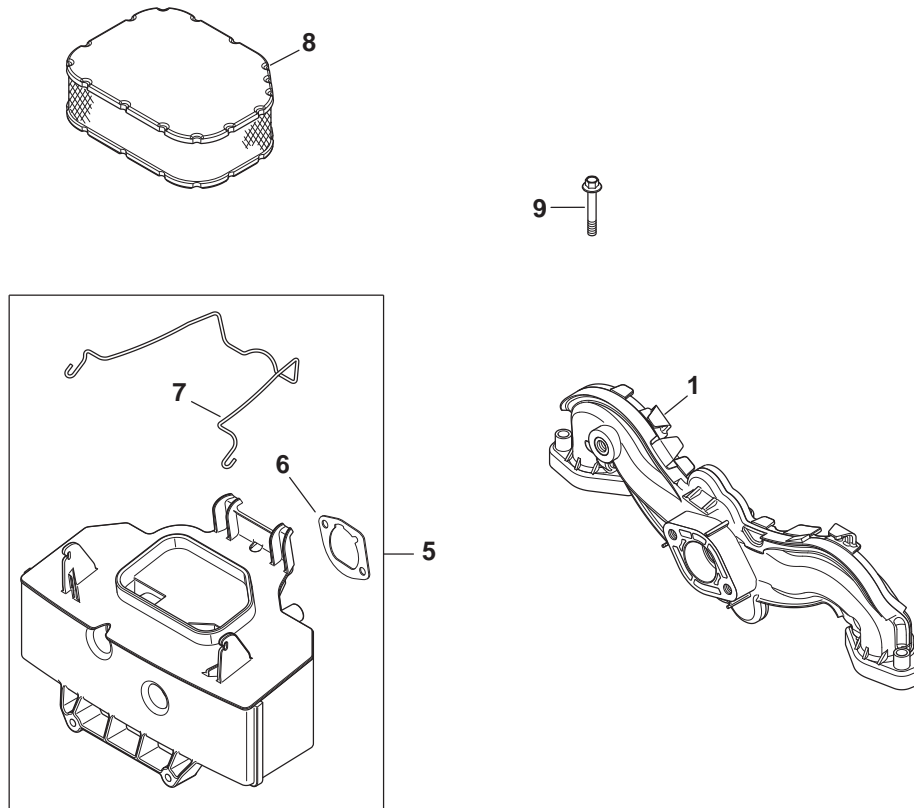
KEY NO.	PART NO.	DESCRIPTION
2	531 02 99-85 1	Starter assembly
4	525 59 04-01 2	Screw, flg m8x1.25x80

# KOHLER ENGINE - MODEL NO. SV710, TYPE NO.0022

## OIL PAN / LUBRICATION



## AIR INTAKE / FILTRATION



# KOHLER ENGINE - MODEL NO. SV710, TYPE NO.0022

## OIL PAN/LUBRICATION

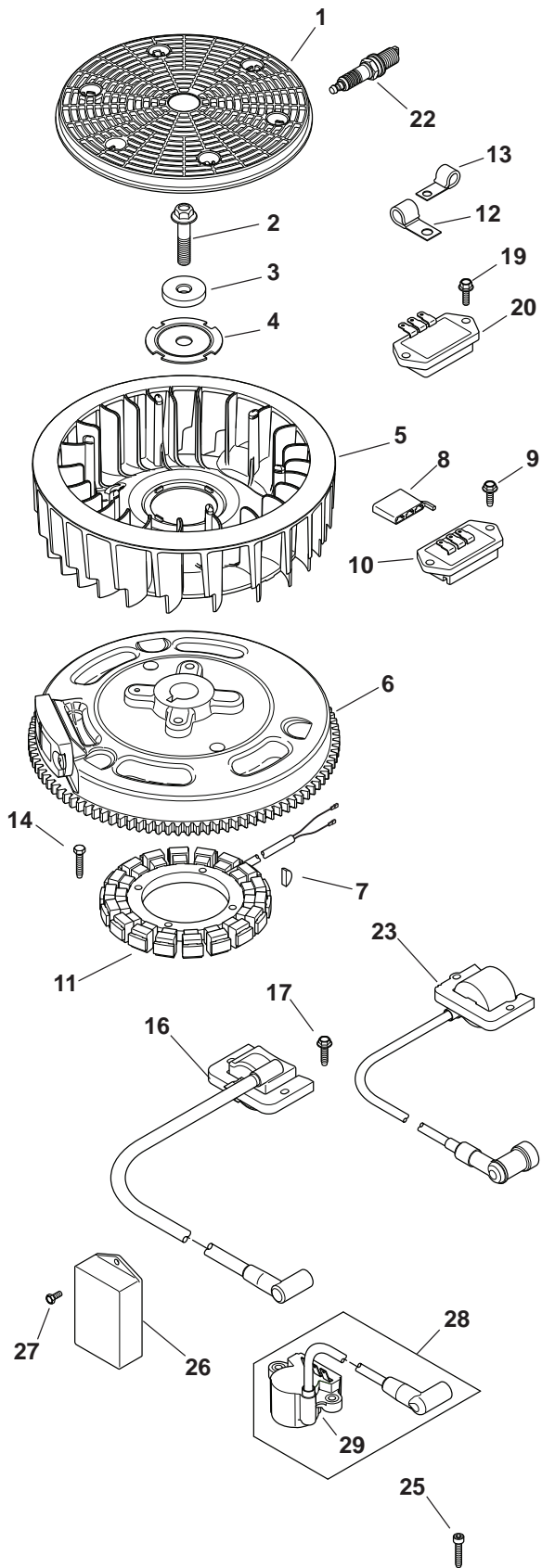
KEY NO.	PART NO.	DESCRIPTION
2	531 02 99-55 2	Screw, Shd Thd Frm M6x.0x6.5
3	531 02 99-56 1	Pump Assembly, Oil
4	531 02 96-78 1	Kit, Governor Gear W/Pin (Includes 5)
5	531 02 95-49 1	Pin, Governor Regulating
6	531 02 99-12 1	Tab, Locking
7	531 02 96-81 1	Shaft, Governor Gear
8	531 02 96-83 1	Seal, Oil
9	531 02 99-57 1	Tube, Oil Feed - Filter To Pan
11	531 02 96-74 2	O-Ring, Oil Pick-Up
13	531 02 95-43 1	Plug, Ctsk Pipe 1/8"
17	531 02 97-86 1	Filter, Oil
18	531 02 96-88 10	Screw, Flg M8x1.25x45
23	531 02 99-54 1	Pan Assembly, Oil (Includes 2-9,11[Qty 1],24-27)
24	525 58 93-01 1	Tube, Oil Feed
25	525 58 96-01 1	O-Ring
26	525 58 95-01 1	Nipple, Oil Filter
27	525 59 01-01 1	Washer, Flat
39	525 58 94-01 1	Oil Feed Tube Assembly (Includes 11[Qty 1],24,25)

## AIR INTAKE/FILTRATION

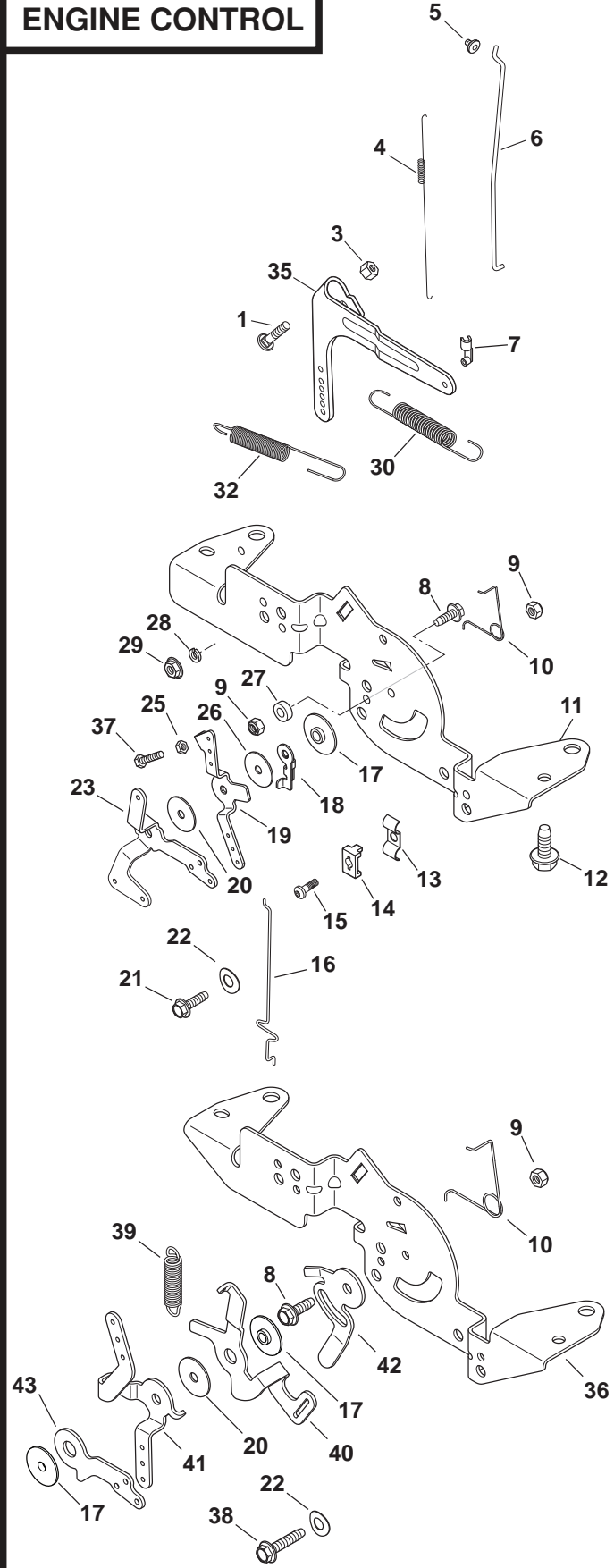
KEY NO.	PART NO.	DESCRIPTION
1	525 58 63-01 1	Kit, intake manifold
5	531 02 99-96 1	Kit, air cleaner base
6	531 02 97-80 1	Gasket, air cleaner base
7	531 02 99-97 1	Latch, air cleaner element
8	531 02 99-02 1	Element, air filter
9	531 02 98-41 4	Screw, flg m6x1.0x40

# KOHLER ENGINE - MODEL NO. SV710, TYPE NO.0022

## IGNITION / ELECTRICAL



## ENGINE CONTROL





# KOHLER ENGINE - MODEL NO. SV710, TYPE NO.0022

## IGNITION/ELECTRICAL

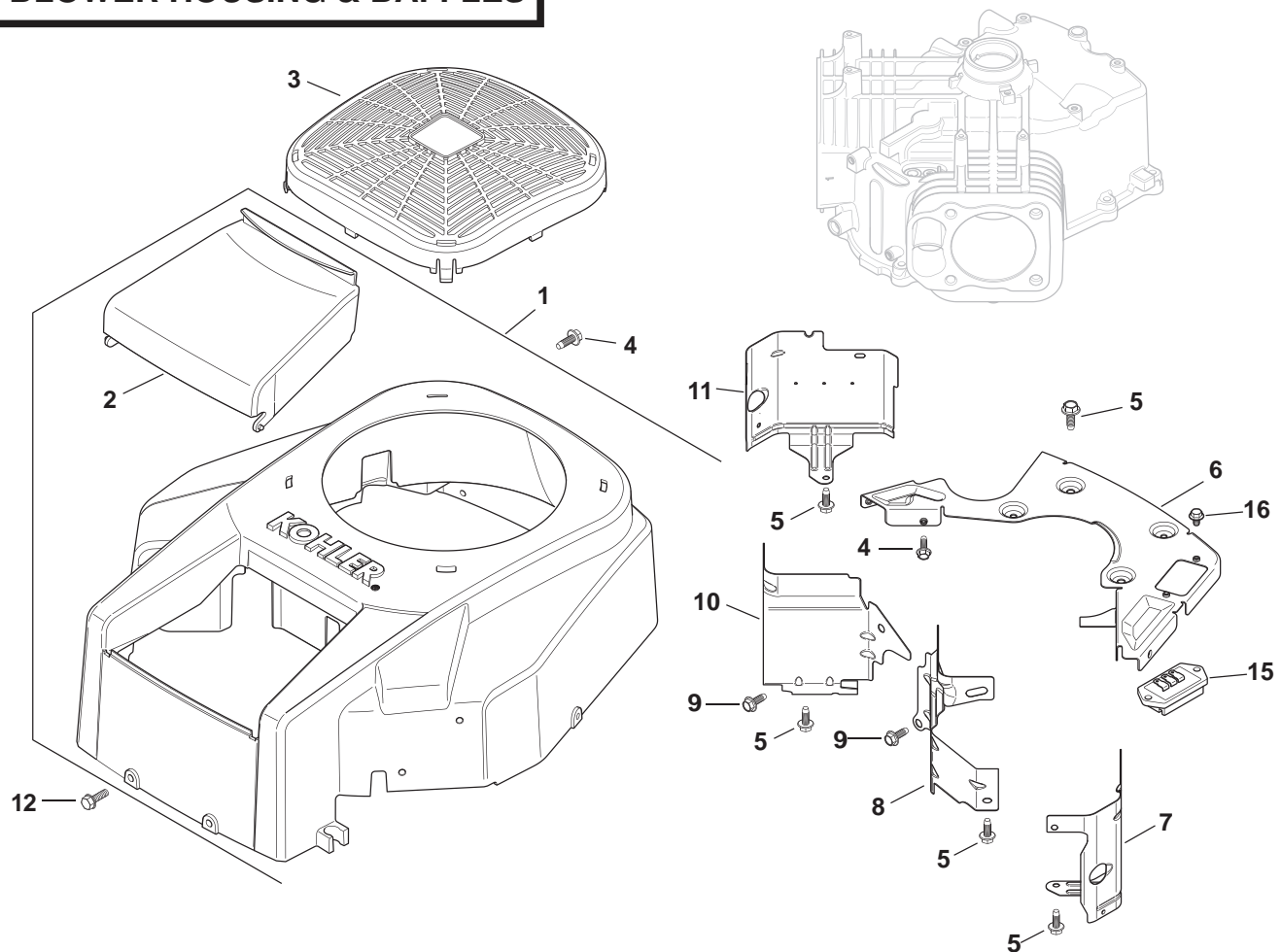
KEY NO.	PART NO.	DESCRIPTION
1	531 02 99-70 1	Screen, Grass
2	531 02 95-73 1	Screw, Flg M10x1.5x45
3	531 02 95-74 1	Washer, Flat 13/32"
4	544 93 68-01 1	Plate, Fan Mounting
5	531 02 99-73 1	Fan
6	531 02 99-74 1	Flywheel Assembly (Sv710/Sv730)
7	531 02 95-11 1	Key, 3/16" X 5/8"
8	523 06 06-01 1	Connector
11	531 02 95-82 1	Kit, 15 Amp Stator
12	531 02 97-83 1	Clip, Cable
14	531 02 95-81 2	Screw, Thd Frm M5x0.8x25
16	531 02 99-76 2	Use 24 584 45-S Ignition Module
17	531 02 95-84 4	Screw, Flg Thd Frm M5x.8x20
22	531 02 99-75 2	Spark Plug, Rfi
NOT ILLUSTRATED		
	531 02 97-54 2	Tie, Wire
	544 93 71-01 1	Tie
	531 02 99-77 1	Kit, Wire Harness
	544 93 71-01 1	Tie
	531 02 97-54 2	Tie, Wire

## ENGINE CONTROLS

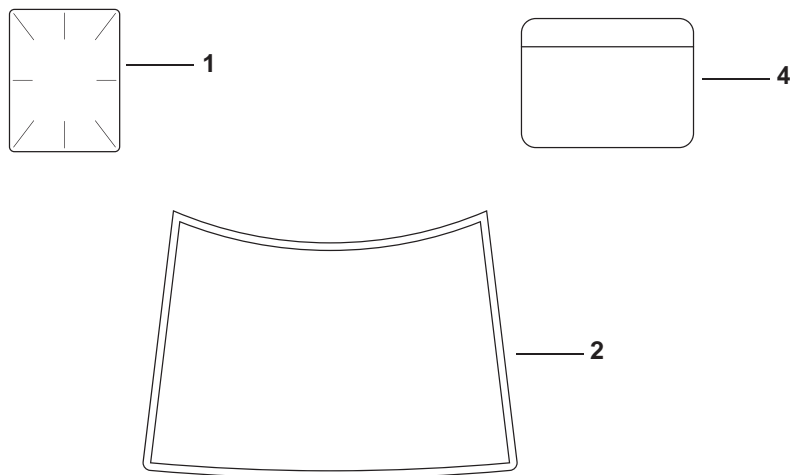
KEY NO.	PART NO.	DESCRIPTION
1	531 02 97-97 1	Bolt, Rd Hd Sq Neck M6x1.0x25
3	531 02 96-02 1	Nut, Flg M6x1.0
4	531 02 98-00 1	Spring, Linkage
5	531 02 96-26 1	Bushing, Linkage Retaining
6	531 02 98-02 1	Linkage, Throttle
7	531 02 96-24 1	Bushing, Throttle Linkage
8	531 02 96-61 1	Screw, Flg Thd Frm M5x0.8x16
9	531 02 98-05 2	Nut, Lock M5x.8
10	531 02 98-06 1	Spring, Choke Return
11	531 02 99-33 1	Bracket, Control
12	531 02 97-62 4	Screw, Flg Thd Frm M6x1.0x16
14	531 02 96-13 3	Clamp, Cable
15	531 02 96-14 3	Screw, Lbd Thd Frm M5x0.8x16
16	531 02 98-21 1	Linkage, Choke
17	531 02 98-11 1	Spacer, Control Assembly
18	531 02 98-12 1	Lever, Throttle Actuator
19	531 02 98-15 1	Lever, Throttle Control
20	531 02 98-16 1	Washer, Flat 5.5 Mm
21	531 02 95-84 1	Screw, Flg Thd Frm M5x.8x20
22	531 02 98-19 1	Washer, Spring 1/4"
23	531 02 98-18 1	LeveR, Choke
26	531 02 98-13 1	Washer, Flat 5 Mm
27	504 57 53-01 1	Spacer
30	531 02 98-23 1	Spring, Governor
32	531 02 98-22 1	Spring, Governor
35	531 02 97-98 1	Lever, Governor
37	531 02 99-95 1	Screw, Hex Hd Cap (W/Loctite)

# KOHLER ENGINE - MODEL NO. SV710, TYPE NO.0022

## BLOWER HOUSING & BAFFLES



## DECALS



Artwork is representative.  
Actual labels may differ depending on model and specification number.

# KOHLER ENGINE - MODEL NO. SV710, TYPE NO.0022

## BLOWER HOUSING & BAFFLES

KEY NO.	PART NO.	DESCRIPTION
1	531 02 99-78 1	Kit, Housing Blower (Includes 2, 41 037 10-S)
2	531 02 99-79 1	Cover, Air Cleaner
4	531 02 96-61 6	Screw, Flg Thd Frm M5x0.8x16
5	531 02 97-62 8	Screw, Flg Thd Frm M6x1.0x16
6	531 02 99-80 1	Kit, Backing Plate
7	531 02 99-81 1	Baffle, Cyl Barrel - #2 Side
8	531 02 99-82 1	Baffle, Valley #2 Side
9	531 02 96-55 2	Screw, Flg Thd Frm M5x.8x10
10	531 02 99-83 1	Baffle, Valley #1 Side
11	531 02 99-84 1	Baffle, Cyl Barrel - #1 Side
12	531 02 96-79 2	Screw, Tap M6X1.7x18
15	504 57 71-01 1	Regulator/Rectifier
16	525 58 64-01 2	Screw, Flng Thd Frm M6x1.0x10
NOT ILLUSTRATED		
	531 02 99-27 1	Nameplate, Service

## DECALS

KEY NO.	PART NO.	DESCRIPTION
1	531 02 98-42 1	Decal, Clear Laminate
2	544 46 60-01 1	Decal, 20 Hp
4	525 58 92-01 1	Decal, Fill Check

## SHORT BLOCK

KEY NO.	PART NO.	DESCRIPTION
	531 02 99-42 1	Sv710-740 Shortblock
	544 46 61-01 1	Gasket Set