

Kohler Courage 27hp

Spare parts

Ersatzteile

Pièces détachées

Reserve onderdelen

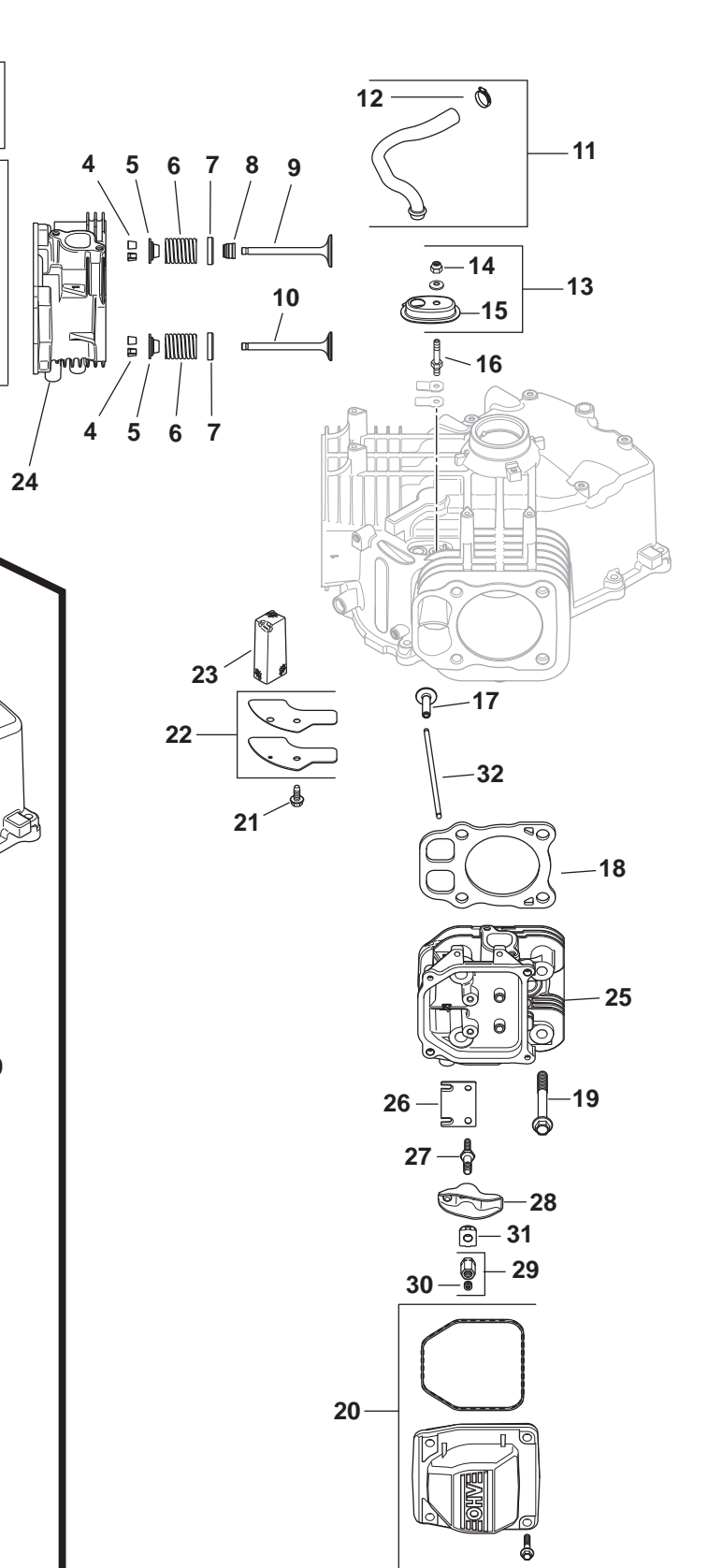
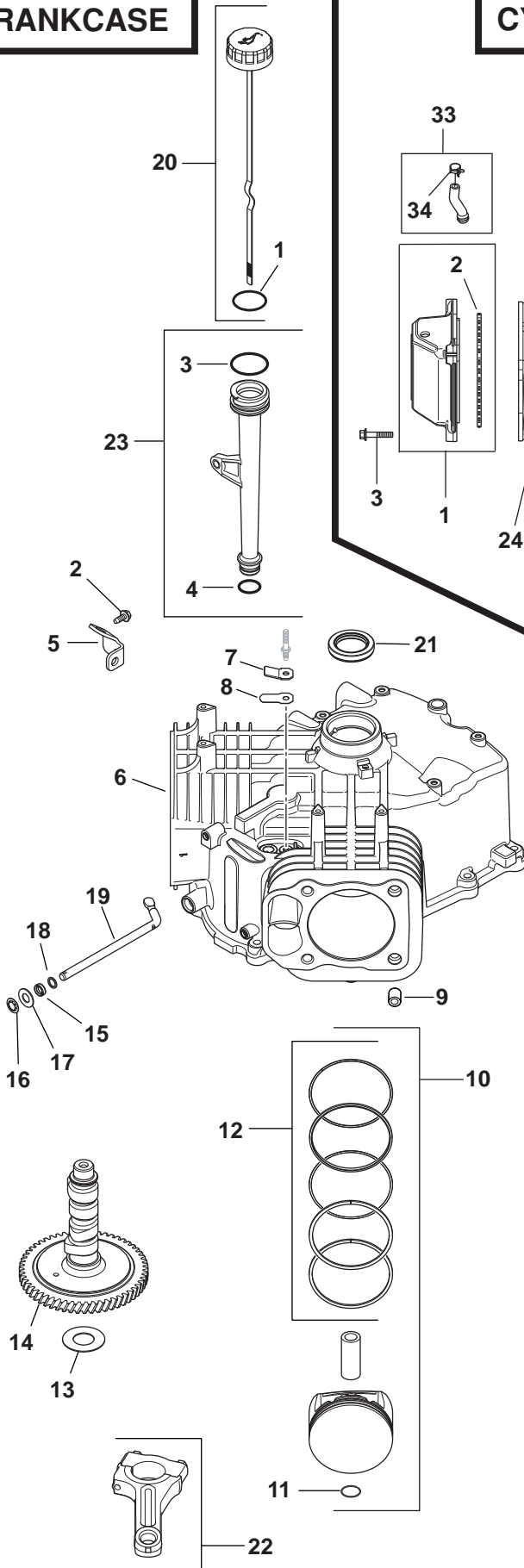
Repuestos

Reservdelar

KOHLER ENGINE - MODEL NUMBER SV740, TYPE NUMBER 0019

CRANKCASE

CYLINDER HEAD, VALVE AND BREATHER



KOHLER ENGINE - MODEL NUMBER SV740, TYPE NUMBER 0019

CRANKCASE

KEY PART
NO. NO.

DESCRIPTION

1	531 02 96-65	O-Ring, Dipstick
2	531 02 95-50	Screw, Flanged Thread Forming M5x0.8x13
3	531 02 96-62	O-Ring, Upper Oil Fill Tube
4	531 02 96-58	O-Ring, Lower Oil Fill Tube
5	531 02 96-59	Bracket, Oil Fill Tube
6	544 84 11-01	Crankcase (Use Short Block 544 84 11-01)
7	531 02 96-56	Retainer, Breather Reed
8	544 84 03-01	Reed, Breather
9	531 02 96-35	Pin
10	531 02 99-04	Kit, Piston, with Ring Set (Standard)
	525 58 90-01	Kit, Piston, with Ring Set (.25" over)
11	531 02 96-45	Retainer, Piston Pin
12	531 02 96-43	Ring Set (Standard)
	525 58 62-01	Ring Set (.25" over)
13	531 02 96-48	Shim, Camshaft (White .028")
	531 02 96-49	Shim, Camshaft (Blue .03")
	531 02 96-46	Shim, Camshaft (Red .032")
	531 02 96-50	Shim, Camshaft (Yellow .034")
	531 02 96-51	Shim, Camshaft (Green .036")
	531 02 96-52	Shim, Camshaft (Gray .038")
	531 02 96-47	Shim, Camshaft (Black .04")
14	531 02 99-50	Kit, Camshaft (Includes Lubricant)
15	531 02 96-68	Seal, Governor Cross Shaft
16	531 02 96-66	Retainer, Ring
17	531 02 96-67	Washer, Flat, 9mm
18	531 02 96-69	Washer, Flat, 11/32"
19	531 02 96-70	Shaft, Governor Cross
20	531 02 96-63	Dipstick Assembly (Includes O-Ring)
21	531 02 97-79	Seal, Oil (Helix Lip)
22	531 02 96-36	Connecting Rod (Standard)
23	531 02 96-60	Tube Assembly (Includes Key Numbers 3 And 4)

Not Illustrated:

-- 544 84 04-01 Lubricant, Camshaft

KEY PART
NO. NO.

DESCRIPTION

7	531 02 97-14	Retainer, Spring
8	531 02 97-13	Seal, Valve Stem
9	531 02 97-11	Valve, Intake (Standard)
10	531 02 97-09	Valve, Exhaust (Standard)
11	531 02 99-45	Kit, Breather Hose (Includes Clamp)
12	531 02 96-04	Clamp, Hose
13	531 02 99-47	Kit, Breather Housing (Includes Key Numbers 14 and 15)
14	531 02 98-05	Nut, Lock, M5 x 0.8
15	531 02 99-46	Washer, Sealing
16	531 02 99-48	Stud, Breather Cover
17	531 02 99-62	Tappet
18	525 59 02-01	Kit, Cylinder Head Gasket (Includes Key Number 19, Exhaust Gasket and O-Ring)
19	531 02 97-03	Screw, Flanged, M10 x 1.5 x 90
20	531 02 98-75	Kit, Breather Valve Cover
21	531 02 97-62	Screw, Flanged, Thread Forming M6 x 1.0 x 16
22	531 02 99-51	Kit, Breather Cover
23	531 02 99-53	Filter, Breather
24	525 58 97-01	Kit, #1 Cylinder Head Assembly (After Serial Number 3810100003) (Includes Exhaust Mounting Hardware)
25	531 02 99-64	Kit, #2 Cylinder Head Assembly (After Serial Number 3810100003) (Includes Exhaust Mounting Hardware)
26	504 57 62-01	Plate, Guide (After Serial Number 3633510943)
27	504 57 59-01	Stud, Rocker (After Serial Number 3633510943)
28	531 02 99-65	Arm, Rocker (After Serial Number 3633510943)
29	525 58 91-01	Hex Nut Assembly (After Serial Number 3633510943) (Includes Set Screw)
30	525 58 88-01	Screw, Set (After Serial Number 3633510943)

CYLINDER HEAD / VALVE / BREATHER

KEY PART
NO. NO.

DESCRIPTION

1	531 02 99-69	Kit, Breather Valve Cover (Includes O-Ring)
2	531 02 99-15	O-Ring, Valve Cover
3	531 02 99-14	Screw, Flanged, M6 x 1.0 x 30
4	531 02 97-17	Kit, Retainer
5	531 02 97-16	Cap, Valve Spring
6	531 02 97-15	Spring, Valve

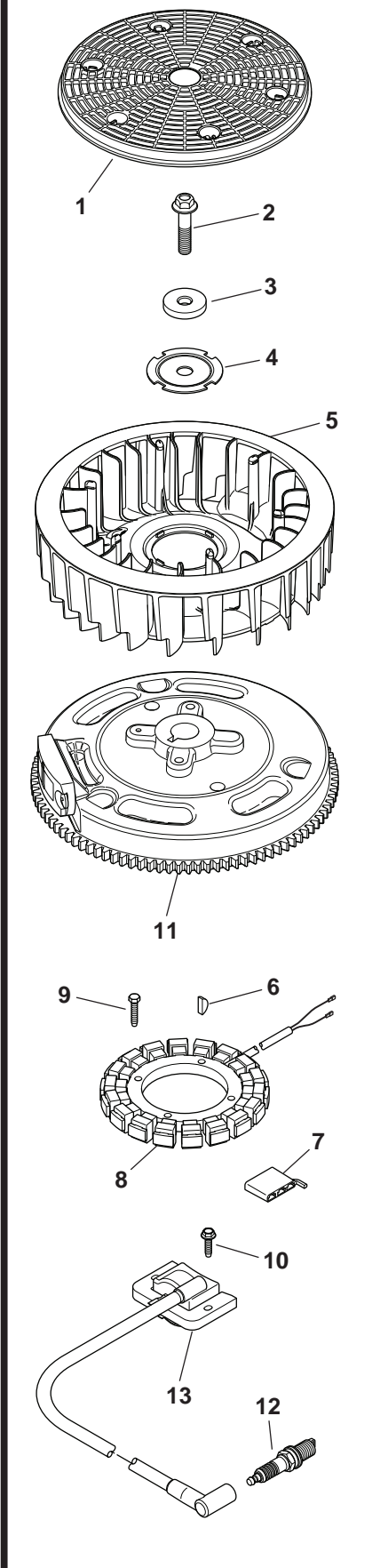
31 504 57 56-01
32 525 59 00-01
33 531 02 99-88
34 531 02 99-93

Not Illustrated:

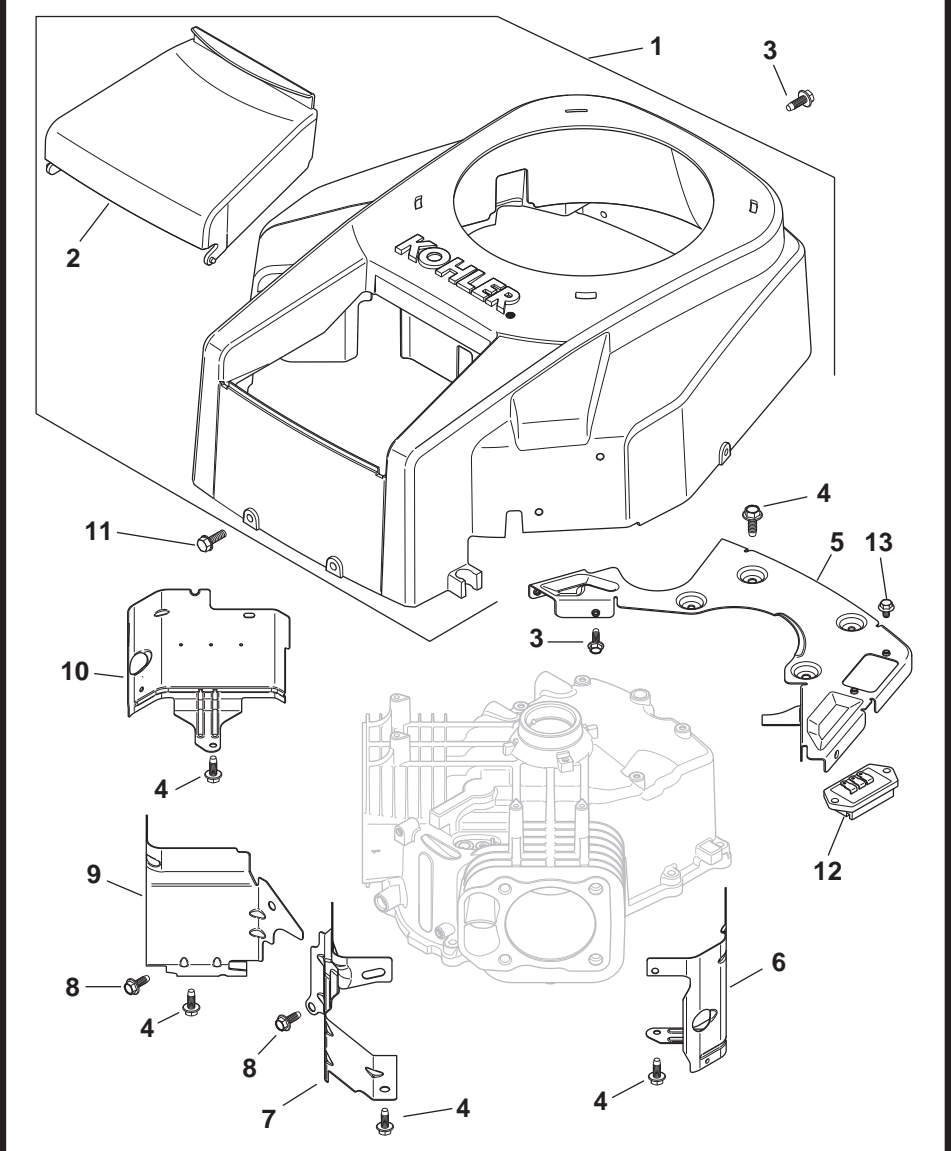
--	531 02 98-43	Gasket, Exhaust
--	531 02 97-40	O-Ring, Intake Port
--	504 57 69-01	Kit, Cylinder Head Hardware (Services 1 Head) (Includes Key Numbers 4 thru 10 and 26 thru 32)

KOHLER ENGINE - MODEL NUMBER SV740, TYPE NUMBER 0019

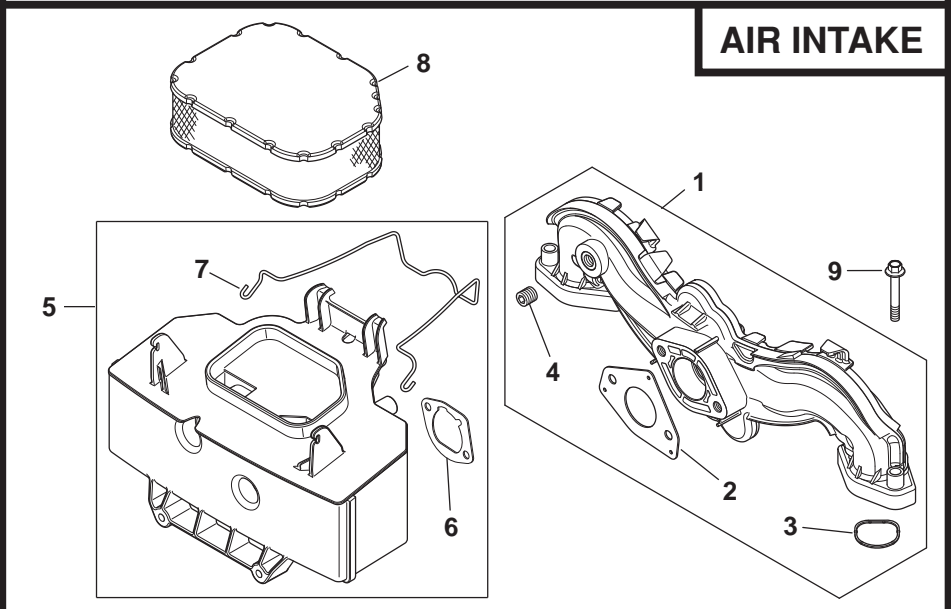
IGNITION/ELECTRICAL



BLOWER HOUSING AND BAFFLES



AIR INTAKE



KOHLER ENGINE - MODEL NUMBER SV740, TYPE NUMBER 0019

IGNITION / ELECTRICAL

KEY NO.	PART NO.	DESCRIPTION
1	531 02 99-70	Screen, Grass
2	531 02 95-73	Screw, Flanged, M10 x 1.5 x 45
3	531 02 95-74	Washer, Flat, 13/32"
4	544 93 68-01	Plate, Fan Mounting
5	531 02 99-73	Fan
6	531 02 95-11	Key, 3/16" x 5/8"
7	523 06 06-01	Connector (3 Contact)
8	531 02 95-82	Kit, 15 Amp Stator (Includes Terminal)
9	531 02 95-81	Screw, Thread Forming M5 x 0.8 x 25
10	531 02 95-84	Screw, Flanged, Thread Forming M5 x 0.8 x 20
11	504 57 57-01	Flywheel Assembly (SV735/740)
12	531 02 99-75	Spark Plug, RFI
13	525 47 14-01	Module Spark Advance Assembly (DSAI)
Not Illustrated:		
--	531 02 97-54	Tie, Wire
--	544 93 75-01	Terminal
--	544 93 71-01	Tie
--	574 61 33-01	Kit, Wiring Harness

BLOWER HOUSING & BAFFLES

KEY NO.	PART NO.	DESCRIPTION
1	531 02 99-78	Kit, Blower Housing (Includes Key Number 2 and Service Nameplate)
2	531 02 99-79	Cover, Air Cleaner
3	531 02 96-61	Screw, Flanged, Thread Forming M5 x 0.8 x 16
4	531 02 97-62	Screw, Flanged, Thread Forming M6 x 1.0 x 16
5	531 02 99-80	Plate, Backing
6	531 02 99-81	Baffle, Cylinder Barrel, #2 Side
7	531 02 99-82	Baffle, Valley, #2 Side
8	531 02 96-55	Screw, Flanged, Thread Forming M5 x 0.8 x 10
9	531 02 99-83	Baffle, Valley, #1 Side
10	531 02 99-84	Baffle, Cylinder Barrel, #1 Side
11	531 02 96-79	Screw, Tapping, M6 x 1.7 x 18
12	504 57 71-01	Rectifier-Regulator
13	525 58 64-01	Screw, Flanged, Thread Forming M6 x 1.0 x 10
Not Illustrated:		
--	531 02 99-27	Nameplate, Service

AIR INTAKE / FILTRATION

KEY NO.	PART NO.	DESCRIPTION
1	525 58 63-01	Kit, Intake Manifold (Includes Key Numbers 2, 3 and 4)
2	531 02 95-90	Gasket, Carburetor
3	531 02 97-40	O-Ring, Intake Port
4	531 02 95-43	Plug, Pipe, Countersunk, 1/8"
5	544 84 06-01	Kit, Air Cleaner Base (Includes Key Numbers 6 and 7)
6	531 02 97-80	Gasket, Air Cleaner Base
7	531 02 99-97	Latch, Air Cleaner Element
8	531 02 99-02	Element, Air Cleaner
9	531 02 98-41	Screw, Flanged, M6 x 1.0 x 40

KOHLER ENGINE - MODEL NUMBER SV740, TYPE NUMBER 0019

STARTING SYSTEM

KEY NO.	PART NO.	DESCRIPTION
1	525 59 04-01	Screw, Flanged, M8 x 1.25 x 80
2	574 61 34-01	Starter Assembly
Not Illustrated:		
--	531 02 99-89	Kit, Drive
--	531 02 99-91	Commutator, End Cap
--	544 84 38-01	Bolt, Thru
--	574 61 36-01	Cap, Drive End

EXHAUST

KEY NO.	PART NO.	DESCRIPTION
1	531 02 98-43	Gasket, Exhaust Manifold

OIL PAN / LUBRICATION

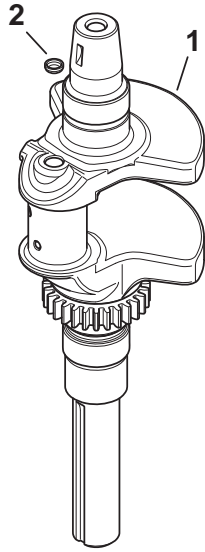
KEY NO.	PART NO.	DESCRIPTION
1	531 02 99-55	Screw, Slotted, Thread Forming M6 x 1.0 x 26.5
2	531 02 99-56	Pump Assembly, Oil
3	531 02 96-78	Kit, Governor Gear, with Pin
4	531 02 95-49	Pin, Governor Regulating
5	531 02 99-12	Tab, Locking
6	531 02 96-81	Shaft, Governor Gear
7	531 02 96-83	Seal, Oil
8	531 02 99-57	Tube, Oil Feed - Filter To Pan
9	531 02 96-74	O-Ring, Oil Pickup
10	531 02 95-43	Plug, Pipe, Countersunk, 1/8"
11	531 02 97-86	Filter, Oil
12	531 02 96-88	Screw, Flanged, M8 x 1.25 x 45
14	531 02 99-54	Pan Assembly, Oil
15	525 58 93-01	Tube, Oil Feed
16	525 58 96-01	O-Ring
17	525 58 95-01	Nipple, Oil Filter
18	525 59 01-01	Washer, Flat
19	525 58 94-01	Oil Feed Tube Assembly

ENGINE CONTROLS

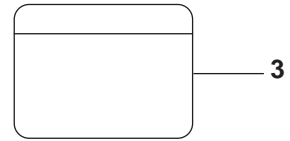
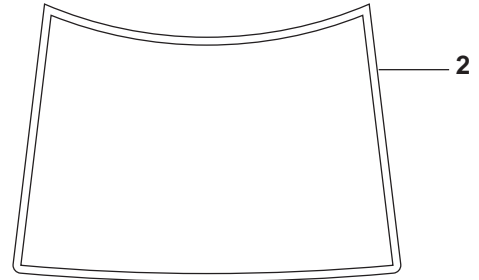
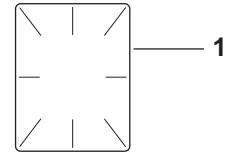
KEY NO.	PART NO.	DESCRIPTION
1	531 02 97-97	Bolt, Round Head, Square Neck M6 x 1.0 x 25
2	531 02 96-02	Nut, Flanged, M6 x 1.0
3	531 02 98-00	Spring, Linkage
4	531 02 96-26	Bushing, Linkage Retaining
5	531 02 98-02	Linkage, Throttle
6	531 02 96-24	Bushing, Throttle Linkage
7	531 02 96-61	Screw, Flanged, Thread Forming M5 x 0.8 x 16
8	531 02 98-05	Nut, Lock, M5 x 0.8
9	531 02 98-06	Spring, Choke Return
10	531 02 99-33	Bracket
11	531 02 97-62	Screw, Flanged, Thread Forming M6 x 1.0 x 16
12	531 02 96-13	Clamp, Cable
13	531 02 96-14	Screw, Lbd., Thread Forming M5 x 0.8 x 16
14	531 02 98-21	Linkage, Choke
15	531 02 98-11	Spacer, Control Assembly
16	531 02 98-12	Lever, Throttle Actuator
17	531 02 98-15	Lever, Throttle Control
18	531 02 98-16	Washer, Flat, 5.5 Mm
19	531 02 95-84	Screw, Flanged, Thread Forming M5 x 0.8 x 20
20	531 02 98-19	Washer, Spring, 1/4"
21	531 02 98-18	Lever, Choke
22	531 02 97-28	Screw, Cap, Slotted Head M4 x 0.7 x 25
23	531 02 98-14	Nut, M4 x 0.7
24	531 02 98-23	Spring, Governor
25	525 58 61-01	Spring, Governor
26	531 02 97-98	Lever, Governor

KOHLER ENGINE - MODEL NUMBER SV740, TYPE NUMBER 0019

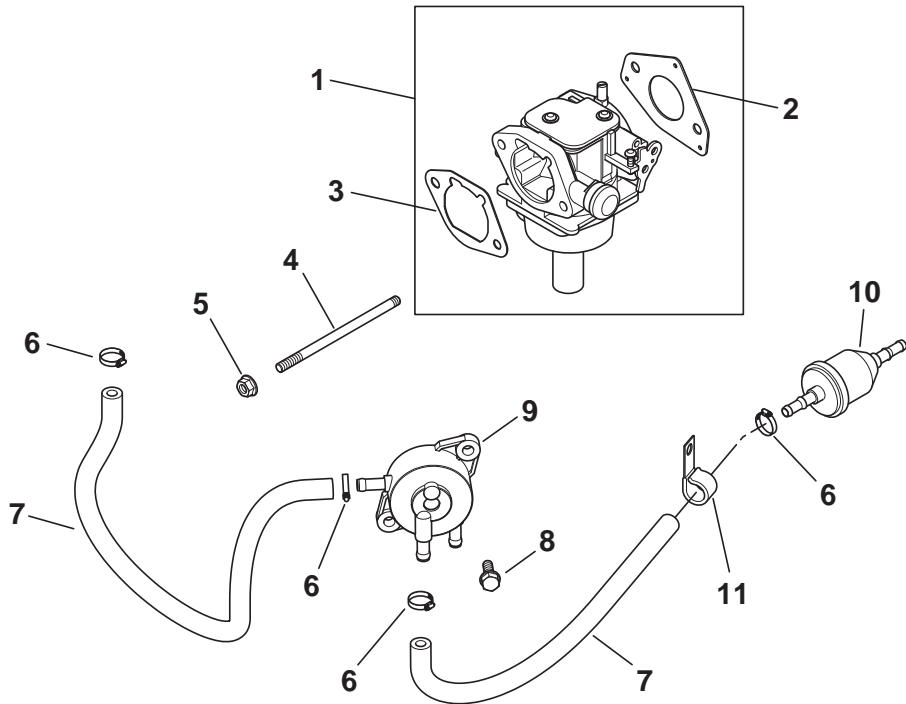
CRANKSHAFT



DECALS



FUEL SYSTEM



KOHLER ENGINE - MODEL NUMBER SV740, TYPE NUMBER 0019

CRANKSHAFT

KEY NO.	PART NO.	DESCRIPTION
1	544 84 05-01	Crankshaft (Includes Cup Plug)
2	531 02 96-54	Plug, Cup

DECALS

KEY NO.	PART NO.	DESCRIPTION
1	531 02 98-42	Decal, Clear Laminate
2	525 58 92-01	Decal, Fill Check
3	544 84 37-01	Decal, 27 HP

FUEL SYSTEM

KEY NO.	PART NO.	DESCRIPTION
1	504 57 74-01	Kit, Carburetor, 22mm, Keihin (Includes Key Numbers 2 and 3)
2	531 02 95-90	Gasket, Carburetor
3	531 02 97-80	Gasket, Air Cleaner Base
4	531 02 99-92	Stud, M6 x 1.0 x 106
5	531 02 96-02	Nut, Flanged, M6 x 1.0
6	531 02 96-04	Clamp, Hose
7	531 02 99-87	Line, Fuel (24" – Cut To Length)
8	531 02 96-79	Screw, Tapping, M6 x 1.7 x 18
9	531 02 97-87	Pump, Fuel
10	531 02 98-62	Filter, Fuel
11	531 02 97-83	Clip, Cable