

**PNC**

962000085

**ML**

00

**Model**

1600 T

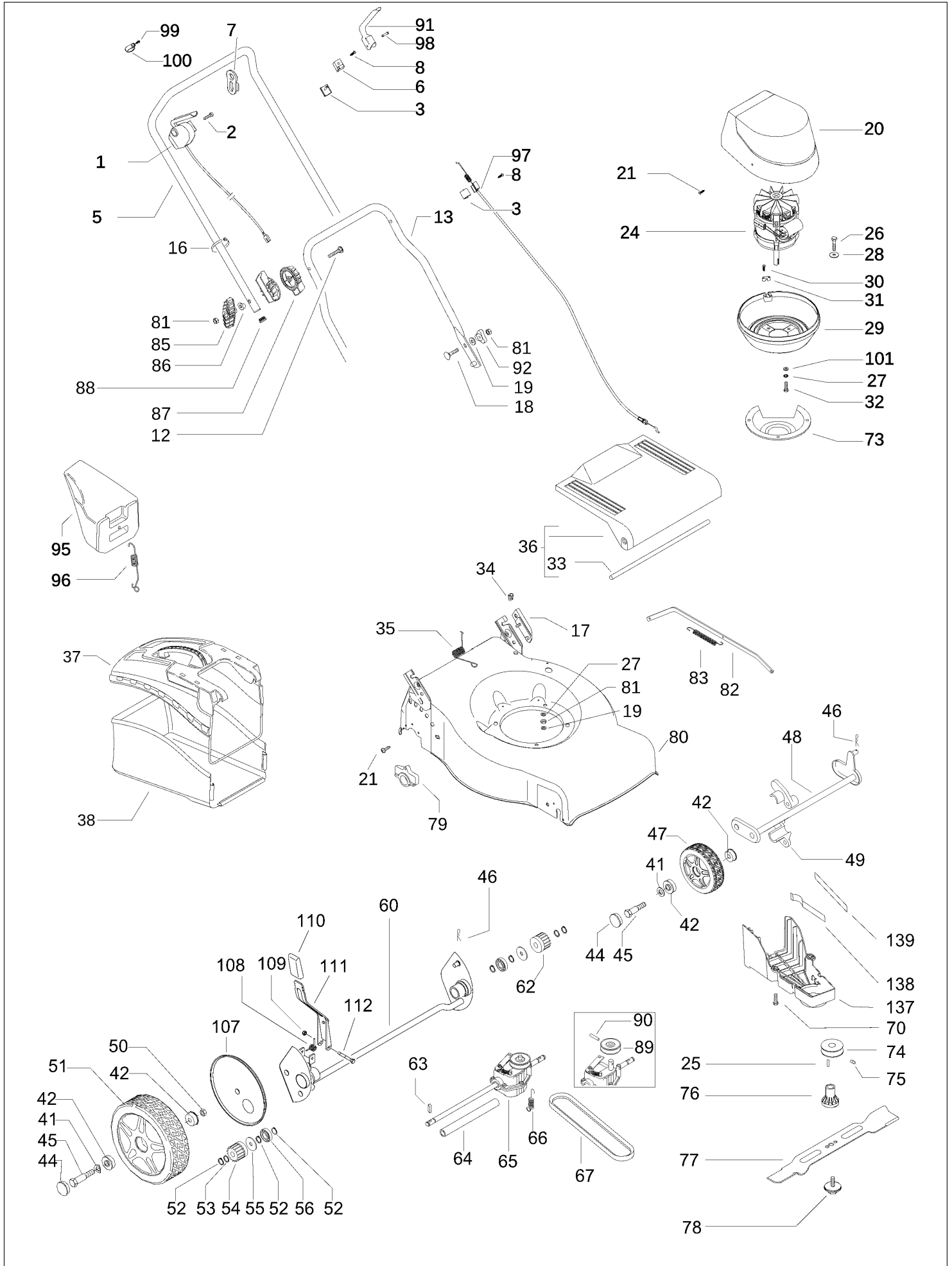
**Brand**

MacAllister

**Number of Pages 1 of 3**

|                            |                           |                        |              |
|----------------------------|---------------------------|------------------------|--------------|
| <b>Factory:</b>            | <b>IIQ - Valmadrera</b>   | <b>Product Group:</b>  | <b>OP 93</b> |
| <b>Publication Number:</b> | <b>EIPL2009_V24000001</b> | <b>Petrol Portable</b> |              |
| <b>Publication Date:</b>   | <b>19/06/09</b>           | <b>Sub Group</b>       | <b>1071</b>  |

HUSQVARNA OUTDOOR PRODUCTS ITALIA SPA



## HUSQVARNA OUTDOOR PRODUCTS ITALIA SPA

| Item | PN           | Description                 | Qty | Item | PN           | Description                   | Qty |
|------|--------------|-----------------------------|-----|------|--------------|-------------------------------|-----|
| 1    | 531 20 70-81 | switch                      | 1   | 73   | 531 20 60-07 | cover                         | 1   |
| 2    | 531 20 76-75 | screw, 4x25, self threading | 2   | 74   | 531 20 59-94 | pulley                        | 1   |
| 3    | 531 20 59-78 | cable holder                | 2   | 75   | 531 20 59-98 | screw                         | 1   |
| 5    | 531 21 10-10 | upper handle                | 1   | 76   | 531 21 34-35 | blade support                 | 1   |
| 6    | 531 20 60-49 | handle support              | 1   | 77   | 531 21 10-17 | blade                         | 1   |
| 7    | 531 20 70-51 | cable hook                  | 1   | 78   | 531 21 15-94 | screw, blade                  | 1   |
| 8    | 531 20 82-17 | screw                       | 2   | 79   | 531 20 59-44 | rear axle housing             | 2   |
| 11   | 531 21 10-10 | upper handle                | 1   | 80   | 531 21 39-08 | deck                          | 1   |
| 12   | 531 20 58-42 | screw                       | 2   | 81   | 531 20 79-82 | nut                           | 7   |
| 13   | 531 20 60-40 | lower handle                | 1   | 82   | 531 20 50-69 | wheel regulation bar          | 1   |
| 16   | 531 20 55-81 | binder                      | 2   | 83   | 531 20 50-56 | wheel regulation spring       | 1   |
| 17   | 531 20 58-39 | handle isolator             | 2   | 84   | 531 20 66-18 | nut                           | 2   |
| 18   | 531 20 70-71 | screw M8x30                 | 2   | 85   | 531 20 58-40 | knob                          | 2   |
| 19   | 531 20 49-22 | washer                      | 9   | 86   | 531 20 58-41 | spacer                        | 2   |
| 20   | 531 21 19-62 | housing                     | 1   | 87   | 531 20 58-39 | locking disc, one half        | 4   |
| 21   | 531 20 66-77 | screw, self threading       | 2   | 88   | 531 20 89-50 | cap                           | 2   |
| 24   | 531 21 30-82 | engine,electric 1600W       | 1   | 89   | 531 20 88-99 | gear pulley                   | 1   |
| 25   | 531 20 70-41 | key                         | 1   | 90   | 531 20 77-03 | pin                           | 1   |
| 26   | 531 21 15-26 | screw                       | 3   | 91   | 531 20 60-27 | lever                         | 1   |
| 27   | 531 20 79-81 | washer                      | 12  | 92   | 531 20 49-23 | knob                          | 2   |
| 28   | 531 20 55-52 | washer                      | 3   | 95   | 531 21 06-17 | mulching plug                 | 1   |
| 29   | 531 20 70-69 | bottom housing              | 1   | 96   | 522 85 77-01 | spring, mulching plug         | 1   |
| 30   | 531 20 70-65 | screw                       | 2   | 97   | 531 21 11-52 | clutch cable                  | 1   |
| 31   | 531 20 70-43 | cable lock                  | 1   | 98   | 531 20 60-32 | pin                           | 1   |
| 32   | 531 20 85-86 | screw M8x25                 | 4   | 99   | 531 20 88-44 | screw                         | 2   |
| 33   | 531 20 50-60 | safety flap rod             | 1   | 100  | 531 20 70-63 | ring D23                      | 2   |
| 34   | 531 20 55-57 | cable lock                  | 1   | 101  | 531 20 49-04 | washer                        | 3   |
| 35   | 531 20 59-99 | spring                      | 1   | 107  | 504 82 73-01 | dust shield Ø190              | 2   |
| 36   | 531 20 46-32 | safety flap                 | 1   | 108  | 531 21 08-17 | spring, wheel regulator lever | 1   |
| 37   | 531 20 59-49 | sack upper half + frame     | 1   | 109  | 531 20 84-92 | nut M5, self locking          | 1   |
| 38   | 531 21 12-73 | sack                        | 1   | 110  | 531 20 79-86 | handle, wheel regulator       | 1   |
| 41   | 531 20 66-44 | washer                      | 4   | 111  | 525 34 84-02 | wheel regulator lever         | 1   |
| 42   | 531 21 38-28 | ball bearing                | 8   | 112  | 538 23 58-07 | screw M5x45                   | 1   |
| 44   | 531 21 05-38 | cap                         | 4   | 137  | 544 46 22-01 | belt cover                    | 1   |
| 45   | 531 20 50-42 | screw M10x58                | 4   | 138  | 504 04 61-01 | belt guide                    | 1   |
| 46   | 531 20 66-53 | cotter pin                  | 2   | 139  | 544 46 25-01 | belt guide                    | 1   |
| 47   | 531 21 07-03 | wheel Ø170                  | 2   |      |              |                               |     |
| 48   | 531 21 25-87 | front axle                  | 1   |      |              |                               |     |
| 49   | 531 20 50-57 | front axle housing          | 4   |      |              |                               |     |
| 50   | 531 20 79-78 | nut                         | 4   |      |              |                               |     |
| 51   | 531 21 06-13 | wheel Ø190                  | 2   |      |              |                               |     |
| 52   | 531 20 87-72 | seeger                      | 6   |      |              |                               |     |
| 53   | 531 20 88-59 | washer                      | 4   |      |              |                               |     |
| 54   | 531 20 50-45 | pinion                      | 1   |      |              |                               |     |
| 55   | 531 20 78-47 | washer                      | 2   |      |              |                               |     |
| 56   | 531 20 87-78 | ball bearing                | 2   |      |              |                               |     |
| 60   | 504 80 01-01 | rear axle                   | 1   |      |              |                               |     |
| 62   | 531 20 50-46 | pinion                      | 1   |      |              |                               |     |
| 63   | 531 20 51-08 | key                         | 2   |      |              |                               |     |
| 64   | 531 20 76-97 | spacer tube                 | 1   |      |              |                               |     |
| 65   | 531 21 29-36 | gear-box                    | 1   |      |              |                               |     |
| 66   | 531 20 52-16 | spring                      | 1   |      |              |                               |     |
| 67   | 501 38 19-01 | belt                        | 1   |      |              |                               |     |
| 68   | 531 20 88-44 | screw                       | 4   |      |              |                               |     |
| 70   | 531 20 78-56 | screw M5x10                 | 3   |      |              |                               |     |
| 72   | 531 20 85-99 | nut                         | 3   |      |              |                               |     |