

T50 RS

Spare parts

Ersatzteile

Pièces détachées





Reserve onderdelen

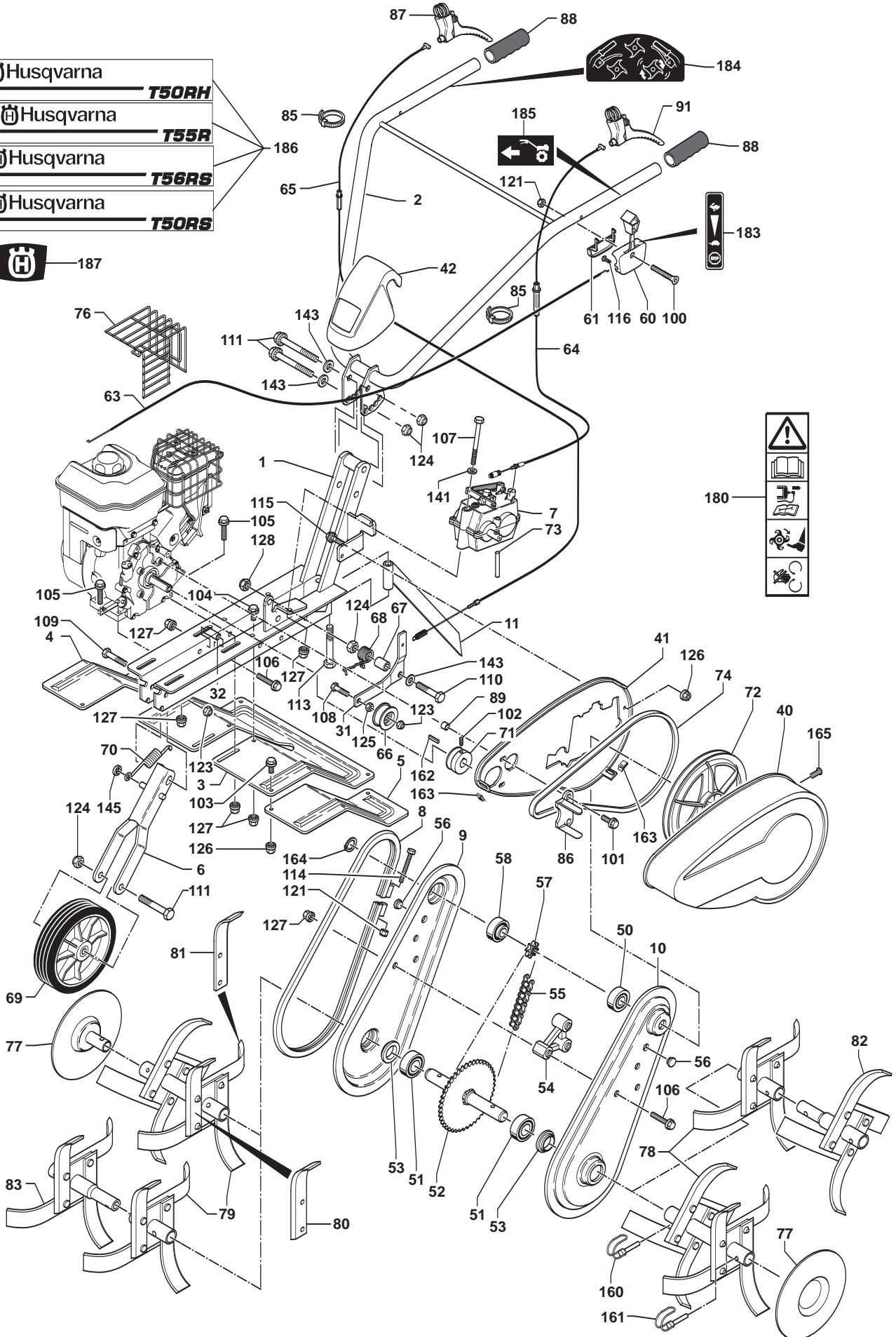
Repuestos

Reservdelar

REPAIR PARTS

TILLER - MODEL NO. T 50RH, T 55R, T56RS, T 50RS, PRODUCT NO. 501 00 45-01

-  Husqvarna **T50RH**
-  Husqvarna **T55R**
-  Husqvarna **T56RS**
-  Husqvarna **T50RS**



REPAIR PARTS

TILLER - MODEL NO. T 50RH, T 55R, T56RS, T 50RS, PRODUCT NO. 501 00 45-01

Rep N°	Réf./Ref.			Désignation	Description	Qté / Qty		
						T50RH	T55R	T56RS
	519 65 30-81	3001000010	57720500	Carter complet à jonc (Orange)	Complete casing, flanged (Orange)			
1	501 00 49-01	3002070601		Châssis (Gris 627)	Chassis (Grey 627)	1	1	1
2	501 00 48-01	3002070602		Guidon (Gris 627)	Handlebars (Grey 627)	1	1	1
3	531 00 82-03	3002000603	57103007	Tôle protection centrale (Gris 627)	Protective cover (Grey 627)			
4	531 00 82-04	3002000601	57103008	Extension droite (Gris 627)	R.H.S guard extension (Grey 627)	1	1	1
5	531 00 82-05	3002000602	57103009	Extension gauche (Gris 627)	L.H.S guard extension (Grey 627)	1	1	1
6	519 65 34-60	3002000308	12601005	Supp. roue transport (Noir)	Front wheel bracket (Black)	1	1	1
7	519 65 30-92	0306040001	57720996	Réducteur M. ar. mécanique	Reversing gearbox	1	1	1
8	519 65 30-43	3002002401	12711035	Jonc (Orange)	Flange (Orange)	1	1	1
9	519 65 30-41	3002000312	11301130	Joue carter eco droite	Transmission housing, RHS	1	1	1
10	519 65 30-42	3002000313	11301131	Joue carter eco gauche	Transmission housing, LHS	1	1	1
11	531 00 82-06	3002000302	12611011	Éperon	Key	1	1	1
31	519 65 34-07	3002000104	11701140	Levier embrayage	Clutch lever	1	1	1
32	519 65 34-24	0302020015	11301145	Entretoise châssis	Spacer	1	1	1
40	531 00 82-07	0340010007	57523525	Capot courroie (Orange)	Belt cowl (Orange)	1	1	1
41	531 00 82-08	0340010001	14303a	Cache intérieur	Inner stile belt cover	1	1	1
42	501 00 46-01	0340010058		Plastic cover for handlebar	Capot guidon	1	1	1
50	519 00 26-31	0306010024		Roulement	Ball-race	1	1	1
51	519 65 30-53	0306010020	12542	Roulement	Ball-race	2	2	2
52	519 65 30-07	0306050010	15038	Arbre de travail	Blade shaft	1	1	1
53	531 00 85-76	0341000027	46098	joint de carter	Joint	2	2	2
54	519 65 30-06	0341000001	14088	Entretoise plastique	Spacer	1	1	1
55	519 65 30-09	0306020005	13292	Chaîne	Chain	1	1	1
56	519 65 33-91	0341000014	12793	Bouchon	Grease cap	2	2	2
57	519 65 30-57	0306050016	13372	Pignon 8 dts	Cogwheel	1	1	1
58	531 00 85-46	0306010016	12551	Roulement épaulé	Shouldered ball-race	1	1	1
60	519 65 34-59	0307020007	64948	Manette gaz	Accelerator lever	1	1	1
61	519 64 94-71	0307020001	62754	Cache manette	Accelerator lever housing	1	1	1
63	531 00 85-79	0308040008	13839	Cable gaz (BS5,5hp)	Throttle cable (BS5,5hp)		1	
	531 00 85-80	0308040005	13826	Cable gaz (GC)	Throttle cable (GC)	1		
	531 00 94-09	0308040003	13134a	Cable gaz (EX13/EX17)	Throttle cable (EX13/EX17)			1
64	501 00 53-01	0308010005		Cable inversion vitesse	Reverse gear cable	1	1	1
65	501 00 51-01	0308020043		Cable embrayage	Clutch cable	1	1	1
66	519 65 34-57	0341000003	12162	Galet embrayage	Runner	1	1	1
67	519 65 34-51	0302020019	16034	Entretoise levier embrayage	Spacer	1	1	1
68	519 65 30-90	0305020005	65133	Ressort embrayage	Spring	1	1	1
69	519 65 30-00	0309000013	14090	Roue avant	Front wheel	1	1	1
70	519 65 02-60	0305010002	65026	Ressort roue transport	Spring	1	1	1
71	519 65 30-68	0306060005	15415	poulie moteur	Engine pulley		1	1
	544 24 39-01	0306060021		poulie moteur	Engine pulley	1		
72	519 65 30-60	0341000007	14135	Poulie transmission	Transmission pulley	1	1	1
73	519 65 30-67	0302010021	15098	Axe fixation poulie	Pulley shaft	1	1	1
74	519 65 30-58	0306030002	13567	Courroie	Beld		1	1
	544 24 40-01	0306030024	13609	Courroie	Beld	1		
76	531 00 85-82	0330032001	19020	Grille échappement (Robin EX13 / EX17)	Exhaust grill (Robin EX13 / EX17)			1
77	519 65 33-62	0320010001	55102	Disque	Disk	2	2	2
78	519 65 30-28	0320010022	55201	Étoile départ double 40x4 G	Twin rotating blades 40x4 L	1	1	1
	531 00 82-11	0320010014	55098	Étoile départ simple 40x4 G	Simple rotating blades 40x4 L			
79	519 65 30-29	0320010021	55200	Étoile départ double 40x4 D	Twin rotating blades 40x4 R	1	1	1
	531 00 82-13	0320010013	55097	Étoile départ simple 40x4 D	Simple rotating blades 40x4 R			
80	519 65 34-47	0001000021	81907	Couteau gauche	Blade, LH			
81	519 65 34-48	0001000020	81906	Couteau droit	Blade, RH			
82	531 00 82-14	0320010016	55150	Étoile addit. dém. gauche	Additional blade assembly, LH			
83	531 00 82-15	0320010015	55103	Étoile addit. dém. droite	Additional blade assembly, RH			
85	519 65 32-32	0301060003	13249	Collier	Collar	2	2	2
86	531 00 85-77	0304000035	36189	Guide courroie	Drive-belt		1	1
	544 24 31-01	0304000185		Guide courroie	Drive-belt	1		
87	501 00 50-01	0307010020		Levier	Lever	1	1	1
88	519 00 01-13	0341000036	12126	Poignée PVC	Grip	2	2	2
89	531 00 82-16	0302020010	16037	Entretoise cache intérieur	Spacer	2	2	2
91	501 00 52-01	0307010025		Reverse gear lever	Levier LAB C20	1	1	1
100	519 65 34-61	0300030603	11176	Vis TF Hc M6x45 Z	Screw TF Hc M6x45 Z			
101	519 65 34-12	0300060503	11116	Vis 5/16 TH24 UNF lg 25 emb. crantée	Screw 5/16 TH24 UNF lg 25, notched shoulder			
102	519 65 30-20	0300040801	11085	Vis St Hc M8x16 N	Screw St Hc M8x16 N			
103	519 65 34-35	0300010609	11250	Vis H M6x16 Z embase crantée	Screw H M6x16 Z, notched shoulder			
104	531 00 82-02	0300010815	11260	Vis H M8x16 Z embase crantée	Screw H M8x16 Z, notched shoulder			
105	519 65 34-13	0300010817	11265	Vis H M8x40 Z embase crantée	Screw H M8x40 Z, notched shoulder			
106	519 65 34-63	0300010820	11267	Vis H M8x50 Z embase crantée	Screw H M8x50 Z, notched shoulder			
107	519 65 30-45	0300010804	10794	Vis H M8x110 Z	Screw H M8x110 Z			
108	519 65 34-55	0300011003	10810	Vis H M10x35 Z	Screw H M10x35 Z			
109	519 65 30-46	0300011007	10834	Vis H M10x55 Z	Screw H M10x55 Z			
110	519 65 34-54	0300011207	10859	Vis H M12x60 Z	Screw H M12x60 Z			
111	519 65 31-31	0300011206	10863	Vis H M12x80 Z	Screw H M12x80 Z			

REPAIR PARTS

TILLER - MODEL NO. T 50RH, T 55R, T56RS, T 50RS, PRODUCT NO. 501 00 45-01

Rep N°	Réf./Ref.			Désignation	Description	Qté / Qty		
						T50RH	T55R	T56RS
113	531 00 82-20	0300011401	10899	Vis H M14x90 Z	Screw H M14x90 Z			
114	519 65 30-10	0300020605	11061	Vis CHc M6x50	Screw CHc M6x50			
115	531 00 82-53	0300010610	11251	Vis H M6x20 Z embase crantée	Screw H M6x20 Z, notched shoulder			
116	531 00 94-12	0300090301	11502	Vis	Screw			
121	732 26 16-01	0300210602	11482	Écrou frein M6 Z	Blocking nut M6 Z			
122	519 00 62-00	0300210802	11484	Écrou frein M8 Z	Blocking nut M8 Z			
123	519 65 34-58	0300211001	11485	Écrou frein M10 Z	Blocking nut M10 Z			
124	725 25 50-51	0300211201	11486	Écrou frein M12 Z	Blocking nut M12 Z			
125	519 65 34-56	0300201002	11429	Écrou H M10 Z	Nut H M10 Z			
126	519 65 34-32	0300260601	11518	Écrou H M6 Z embase crantée	Nut H M6 Z, notched shoulder			
127	519 65 34-30	0300260801	11519	Écrou H M8 Z embase crantée	Nut H M8 Z, notched shoulder			
128	531 00 82-21	0300251202	11521	Écrou H M12 Z embase crantée	Nut H M12 Z, notched shoulder			
141	519 65 34-50	0300400802	11616	Rondelle 8 Z	Washer 8 Z			
143	519 65 34-53	0300401201	11635	Rondelle 12x27x2,5	Washer 12x27x2,5 Z			
145	519 65 34-62	0300461001	11818	Rondelle starlock 10	Starlock washer 10			
160	531 00 94-10	0301010011	55078	Goupille clips Ø10	Clip pin, 10mm diameter			
161	531 00 94-11	0301010010	55079	Goupille clips Ø8	Clip pin, 8mm diameter			
162	519 65 30-21	0301040001	12979	Clavette	Key			
163	519 65 34-25	0301050001	11495	Clips 4,2	Spire nuts 4,2			
164	519 65 34-66	0301070001	12855	Circlips	Circlips			
165	519 65 34-26	0300080405	11135	Vis Tôle 4,2	Cover bolt 4,2			
180	531 00 85-40	0503000036	21240	Étiq. "sécurité"	Safety label			
183	519 64 66-80	0503000045	64668	Étiquette de gaz	Label: Accelerator lever			
184	519 65 30-85	0503000029	62831	Étiquette embrayage mécanique	Label: Clutch lever			
185	519 65 30-84	0503000032	62830	Étiq. "inversion de vitesse "	Label: Forward and reverse gears	1		
186	531 00 82-54	0503010010	65084a	Étiq.: husqvarna T50RH	Label: husqvarna T50RH		1	
	531 00 82-65	0503010011	65085A	Étiq.: husqvarna T55R	Label: husqvarna T55R			1
	531 00 94-13	0503010231	65079	Étiq.: husqvarna T56RS	Label: husqvarna T56RS	1	1	1
187	501 00 47-01	0503060004		Sticker H for cover	Etiqu H			