

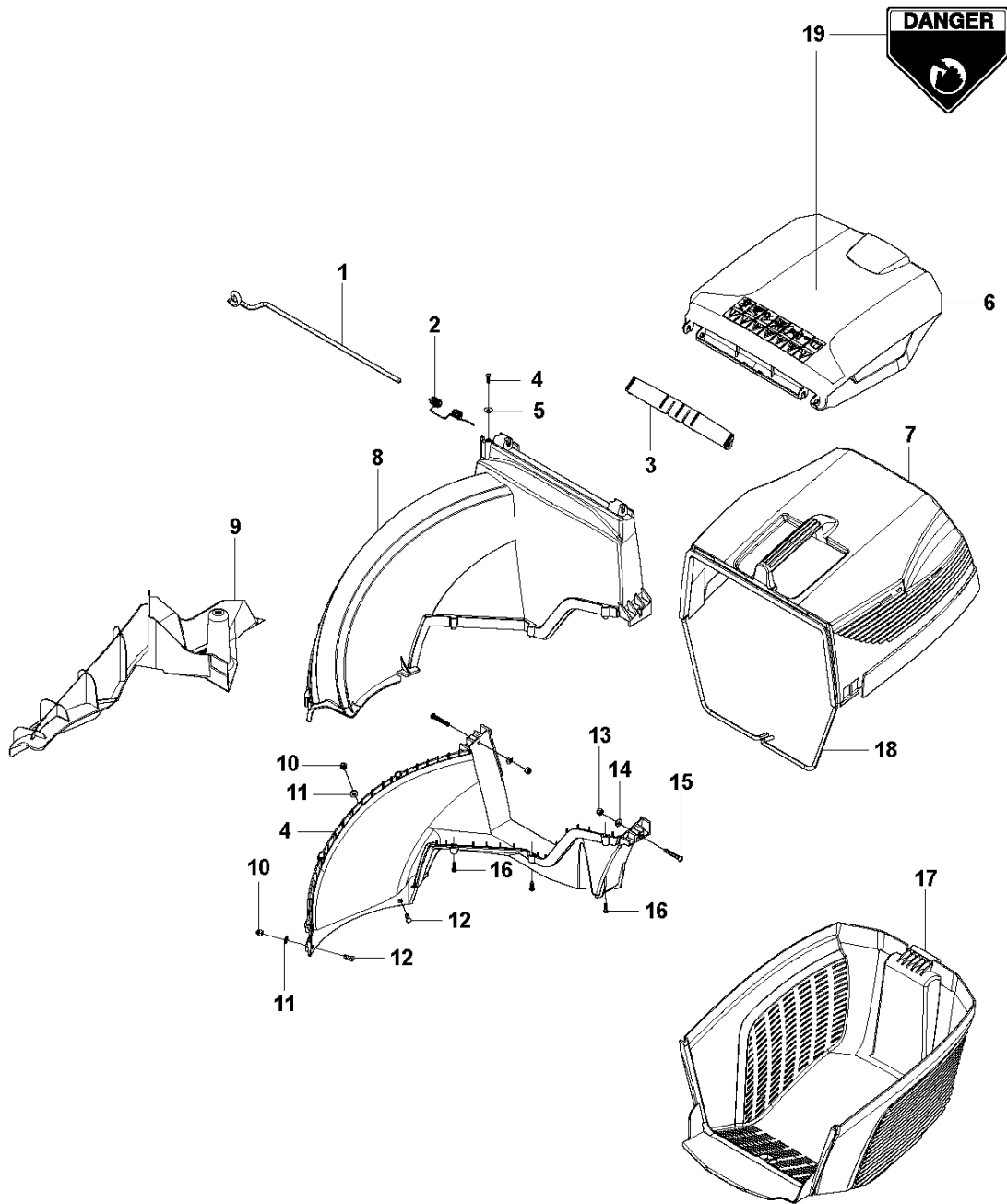


SPARE PARTS LIST

LAWN MOWERS: CONSUMER
WALK-BEHINDS

LC148 VE, 96650830100, 2010-01

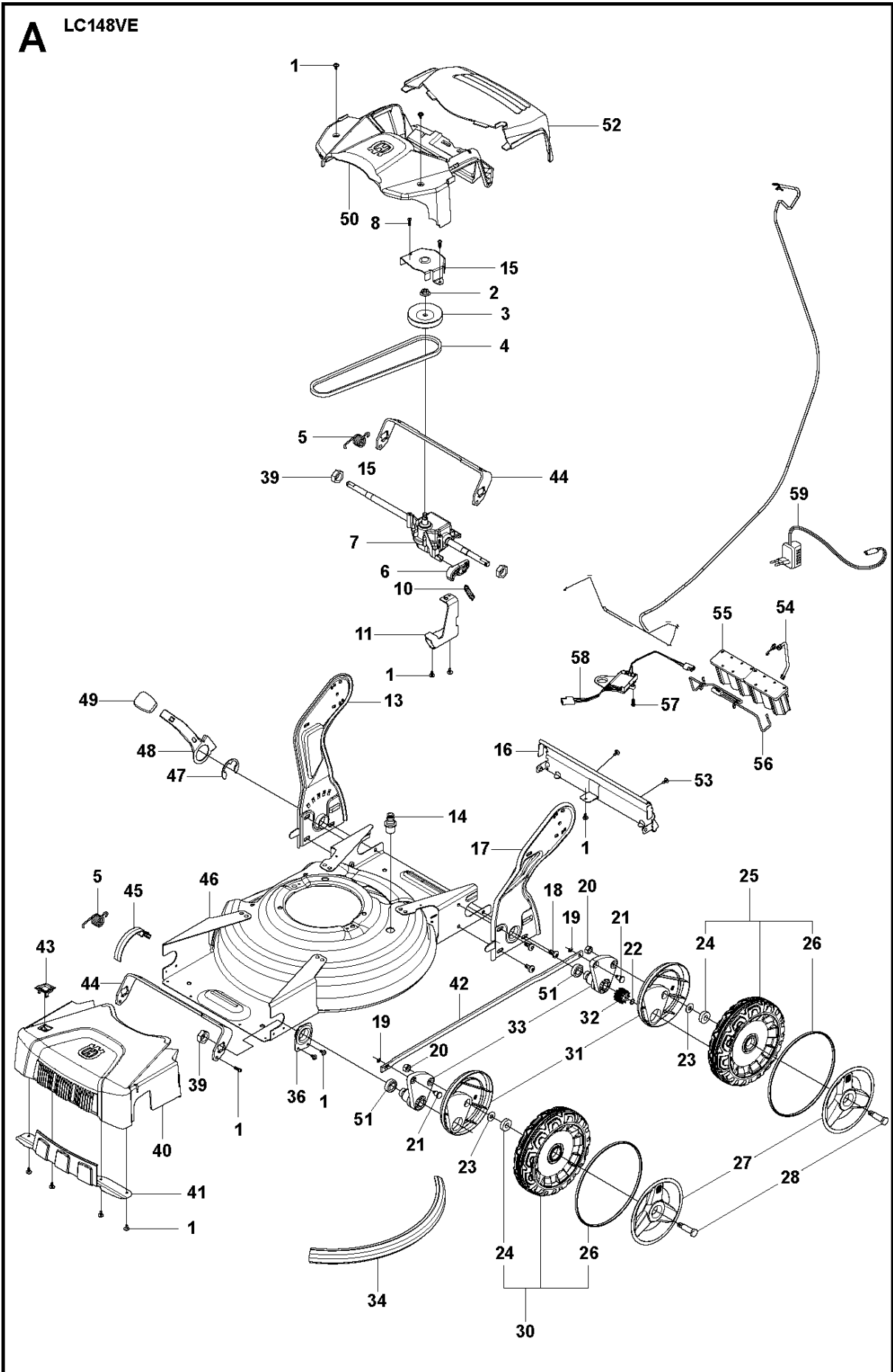
D LC148VE



BAGGER

LC148 VE, 96650830100, 2010-01

Ref	Part no.	Description	Remark	Qty	Kit
1	502 24 59-01	AXLE		1	
2	502 24 47-01	SPRING		1	
3	504 59 81-01	COVER LID		1	
4	501 96 73-01	CHUTE		1	
5	505 19 84-01	WASHER		1	
6	501 96 77-01	HATCH		1	
7	501 98 77-01	GRASSBAG		1	
8	501 96 75-01	CHUTE		1	
9	504 13 71-01	MULCH PLUG		1	
10	502 30 50-01	CAP NUT		2	
11	504 04 86-01	BRACKET		2	
12	505 15 61-01	SCREW		2	
13	522 66 93-02	LOCKING NUT		2	
14	531 20 66-66	WASHER		2	
15	505 55 77-01	SCREW ITXPANTT		2	
16	502 43 53-01	SCREW ITXPANT		7	
17	501 98 76-01	GRASSBAG		1	
18	502 44 71-01	GRASSBAG FRAME		1	
19	513 99 61-00	DECAL		1	

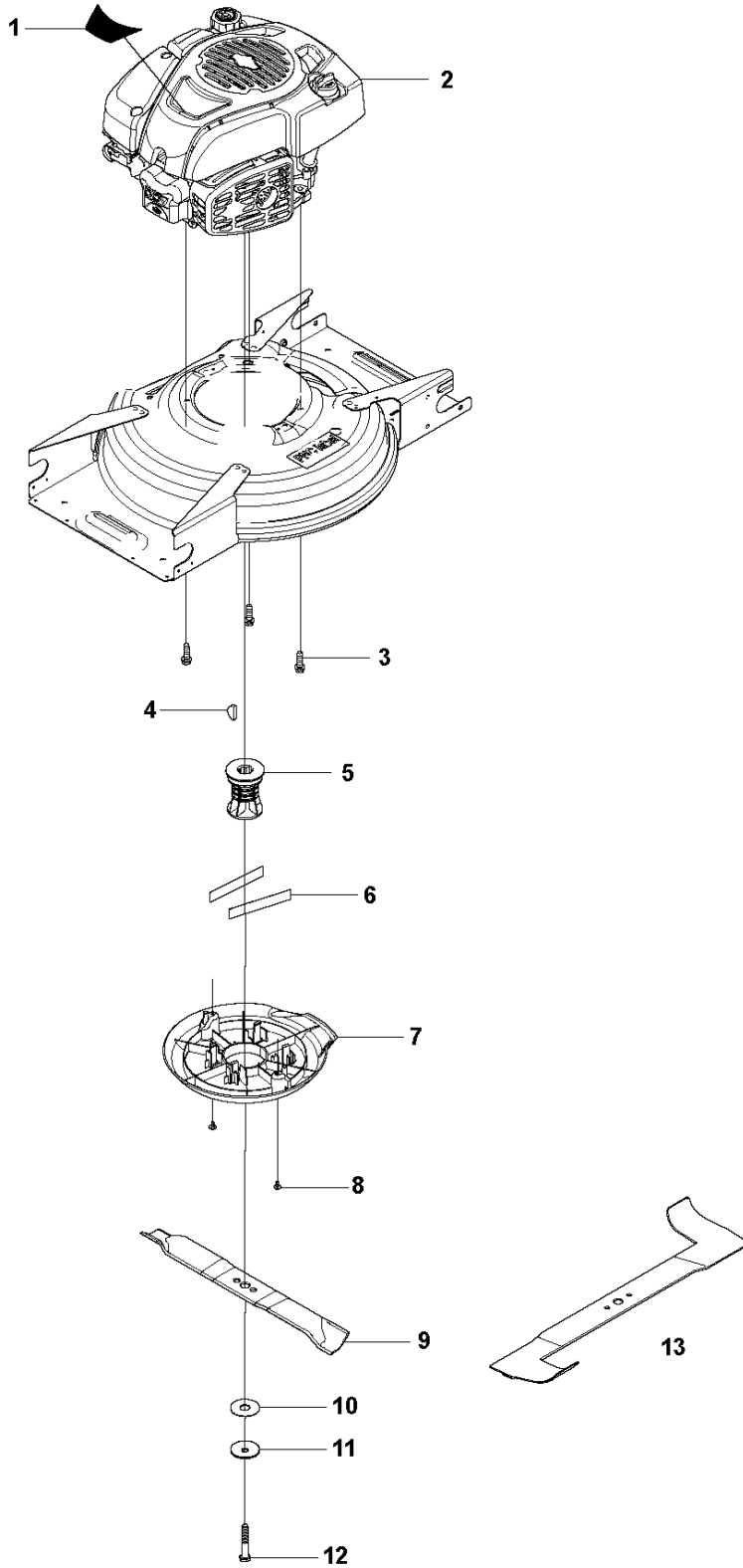


CUTTING EQUIPMENT

LC148 VE, 96650830100, 2010-01

Ref	Part no.	Description	Remark	Qty	Kit
1	502 43 52-01	SCREW ITXPANTT		17	
2	504 05 56-01	NUT FLANGE		1	
3	504 05 33-01	PULLEY		1	
4	501 98 66-01	BELT		1	
5	522 02 46-01	SPRING		2	
6	504 04 83-01	LEVER		1	
7	504 04 80-01	GEAR BOX		1	
8	502 43 53-01	SCREW ITXPANT		2	
10	504 04 87-01	SPRING		1	
11	504 04 86-01	BRACKET		1	
13	504 00 00-01	HANDLE SUPPORT		1	
14	531 20 58-48	CONNECTOR		1	
15	522 61 23-01	BELT GUIDE		1	
16	504 64 15-01	SKID PLATE		1	
17	504 00 32-01	HANDLE SUPPORT		1	
18	504 64 16-02	SCREW ITXPANTT		6	
19	735 31 09-21	E-CLIP		2	
20	731 23 20-01	HEXAGON NUT		4	
21	504 62 50-01	SHAFT		2	
22	735 31 36-21	LOCK WASHER		2	
23	505 22 14-01	WASHER		4	
24	738 21 01-04	BALL BEARING		8	
25	544 91 69-02	WHEEL ASSY		2	
26	544 43 28-01	O-RING		4	
27	544 44 39-01	HUB CAP		4	
28	544 45 34-01	SCREW		4	
30	502 49 68-01	WHEEL ASSY		2	
31	504 62 41-01	DUST COVER		4	
32	544 34 23-01	PINION		2	
33	504 61 44-01	LINK ARM		4	
34	504 69 50-01	BUMPER		1	
36	504 62 49-01	BRACKET		2	
39	505 52 10-01	NUT		4	
40	502 62 44-01	FRONT COVER		1	
41	502 62 54-01	SKID PLATE		1	
42	504 61 55-01	ROD		1	
43	504 62 75-01	INDEX WINDOW		1	
44	504 61 46-01	TRANSVERSAL ROD		2	
45	504 62 76-01	INDEX SCALE		1	
46	501 37 55-01	CHASSIS		1	
47	504 70 28-01	LOCK RING		1	
48	504 83 82-01	LEVER		1	
49	504 83 83-01	KNOB		1	
50	505 10 94-01	REAR COVER		1	
51	738 21 01-14	BALL BEARING		2	
52	505 20 21-01	HATCH		1	
53	502 43 52-01	SCREW ITXPANTT		2	
54	522 47 09-01	HOLDER ASSY		1	
55	515 99 63-01	BATTERY		1	
56	522 00 00-01	WIRE ASSY		1	
57	502 45 53-01	WASHER		1	
58	522 02 80-01	START MODULE		1	
59	502 95 12-01	BATTERY CHARGER		1	
59	531 21 17-38	CHARGER		1	

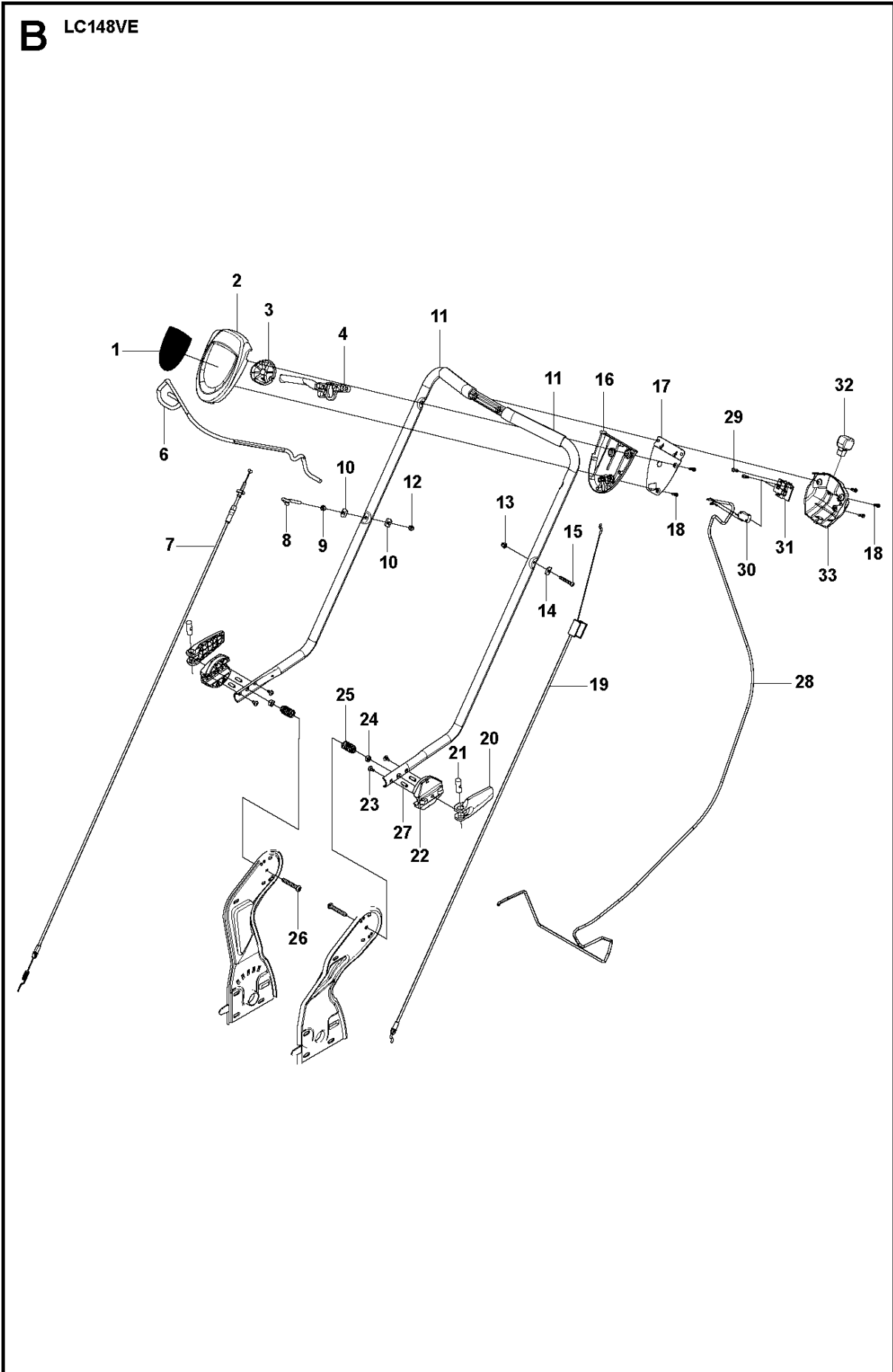
C LC148VE



ENGINE

LC148 VE, 96650830100, 2010-01

Ref	Part no.	Description	Remark	Qty	Kit
1	516 04 36-07	LABEL		1	
3	531 21 28-51	SCREW		3	
4	531 20 49-07	KEY		1	
5	531 20 78-48	SUPPORT		1	
6	504 62 42-01	WEAR PLATE		2	
7	501 96 81-01	BELT COVER		1	
8	505 52 46-01	SCREW ITXPANTT		2	
9	505 52 41-01	MOWER BLADE		1	
10	531 20 72-43	WASHER		1	
11	531 20 72-37	WASHER		1	
12	531 20 66-49	SCREW		1	
13	510 43 66-01	BLADE		1	



HANDLE

LC148 VE, 96650830100, 2010-01

Ref	Part no.	Description	Remark	Qty	Kit
1	544 92 81-01	LABEL		1	
2	532 18 82-78	PROTECTOR		1	
3	532 40 62-62	PULLEY		1	
4	532 19 02-83	LEVER		1	
5	504 05 39-01	HANDLE		1	
6	502 28 93-01	BAIL ARM		1	
7	544 90 79-05	CABLE		1	
8	531 20 51-69	PIN RETAINING SCREW		1	
9	531 20 71-65	NUT		1	
10	531 20 49-61	WASHER		3	
11	544 91 34-01	TUBE		2	
12	502 30 50-01	CAP NUT		2	
18	502 43 53-01	SCREW ITPANT		5	
19	522 93 74-01	CABLE		1	
20	504 13 83-01	LEVER		2	
21	505 53 11-01	PIN		2	
22	504 13 89-01	ADJUSTING DISC		2	
23	502 43 52-01	SCREW ITPANTT		4	
24	732 25 18-71	HEXAGON LOCKING NUT		2	
25	504 63 81-01	SPRING		2	
26	505 52 46-01	SCREW ITPANTT		2	
27	505 50 81-01	NEEDLE ROLLER		4	
28	522 02 20-01	WIRE ASSY		1	
29	502 43 53-01	SCREW ITPANT		2	
30	535 46 91-01	SWITCH		1	
31	510 08 83-01	ELECTRIC START		1	
32	522 03 60-01	IGNITION KEY ASSY		1	
33	510 23 74-01	COVER		1	