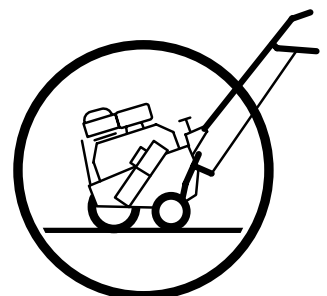


Operator's manual

AR19

AR25

Please read these instructions carefully and make sure
you understand them before using the machine.



English

**To implement improvements, specifications and designs can be altered without prior notification.
Note that no legal demands can be placed based on the information contained in these instructions.
Use only original parts for repairs. The use of other parts voids the warranty.
Do not modify or install non-standard equipment to the unit without consent from the manufacturer.
Modifications to the unit may cause unsafe operations or damage the unit.**

When this product is worn out and no longer used, it should be returned to the reseller or other party for recycling.

CONTENTS

INTRODUCTION	4	MAINTENANCE AND SERVICE	15
Good Service	4	Cleaning.....	15
Serial Number	4	Two Minute Rule	15
SAFETY	5	Maintenance Schedule	15
General Information	5	Drive Train	16
Safety Procedures	5	Engine.....	16
CONTROLS.....	6	Clutch Cable	17
Model AR19	6	Throttle Cable	17
Models AR25	7	Chain	19
ASSEMBLY	8	Tines	20
Model AR19 Handle.....	8	Tine Shaft Bearing	20
Model AR25 Handle.....	9	Free-Wheeling Tine Assembly	21
Clutch and Throttle Cables	10	Handle	21
Before Starting.....	10	Wheels.....	22
OPERATION.....	11	Drive Wheel Shaft.....	22
Aeration Tips.....	11	Rear Wheels	23
Aerating	11	TECHNICAL DATA	24
Rear Wheel Adjustment	12	Torque Specifications.....	26
Turning and Maneuvering	12	CONFORMITY CERTIFICATES.....	27
Operating On Slopes	13	USA Requirements	27
Transporting.....	14	CE Requirements	27

INTRODUCTION

Congratulations

Thank you for purchasing a Husqvarna lawn care product. Through your confidence in us, you have chosen an exceptionally high quality product.

This manual is a valuable document. It describes your new Husqvarna machine. Read the manual carefully before attempting to use the machine. Following the instructions (use, service, maintenance, etc.) can considerably increase the lifespan of your machine and even increase its resale value. Please contact your dealer for more information.

If you sell your Husqvarna machine, make sure to give the operator's manual to the new owner.

Insure your machine

Contact your insurance company to check on insurance coverage for your new machine. You should have all-inclusive insurance for liability, fire, damage and theft.

Good Service

Husqvarna's products are sold all over the world and only in specialized retail trade with complete service. This ensures that you as a customer get only the best support and service. Before the machine was delivered it underwent inspection and was adjusted by your dealer. When you need spare parts or support in service questions, guarantee issues, etc., please consult the following professional:

This Operator's Manual belongs to machine with serial number:	Engine number:

Serial Number

The machine's serial number can be found on the printed plate attached to the rear side panel of the machine. The plate includes the following information:

- The machine's type designation (MODEL).
- The machine's serial number (S/N).

Please state the type designation and serial number when ordering spare parts.

The engine's serial number is punched into the crankcase above the oil drainage screw.

The engine type is specified on the crankcase under the air filter but also appears on the decal on the starter.

Please state engine serial number and type when ordering replacement engine parts.

SAFETY

General Information

This manual will assist you in the safe operation and proper maintenance of your Husqvarna equipment. Read it thoroughly before attempting to operate the machine. Call your dealer or Husqvarna if additional information is required.

This equipment should not be modified without the manufacturer's prior written authorization. Doing so may not only affect the equipment's performance and durability, but also create safety hazards for the operator and the surroundings. Warranty will be void if changes are made to the equipment without the manufacturer's prior written authorization.

Safety Procedures

DO:

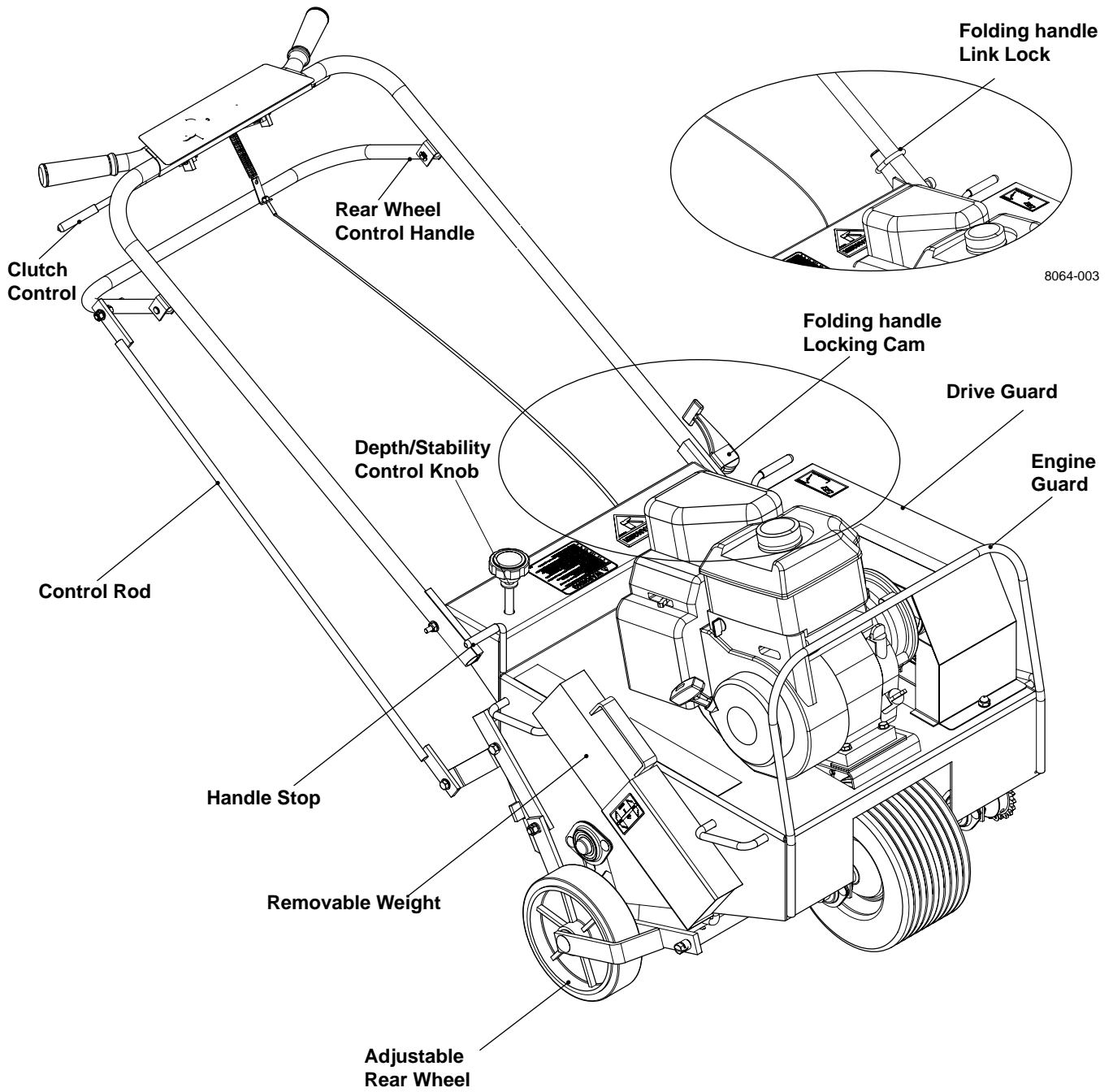
- Read all maintenance and service instructions before attempting work.
- Read engine manufacturer's operating and maintenance instructions.
- Remove spark plug wire before commencing service.
- Inspect lawn to be aerated and remove rocks, wire, string and other objects that might present a hazard before starting.
- Identify and mark all ground objects to be avoided, such as sprinkler heads, stakes, water valves, clothes line anchors, etc.
- Use machine for lawn aeration only.
- Keep unsupervised children away from the equipment.
- Adopt safe lifting and moving techniques when loading/unloading and moving the equipment.
- Make sure all decals are in place.

DO NOT:

- Do not run engine while servicing.
- Do not use on any surface other than grass.
- Do not operate on slopes exceeding 35% grade.
- Do not place hands or feet near moving or rotating parts.
- Do not lift alone.
- Do not run engine in an unventilated space.
- Do not run engine while servicing. Remove spark plug wire before commencing service.
- Do not smoke or allow open flames or sparks near unit, and always stop the engine when refueling.
- Do not remove guards when operating.
- Do not modify this equipment.
- Do not use this equipment for purposes other than lawn aeration.

CONTROLS

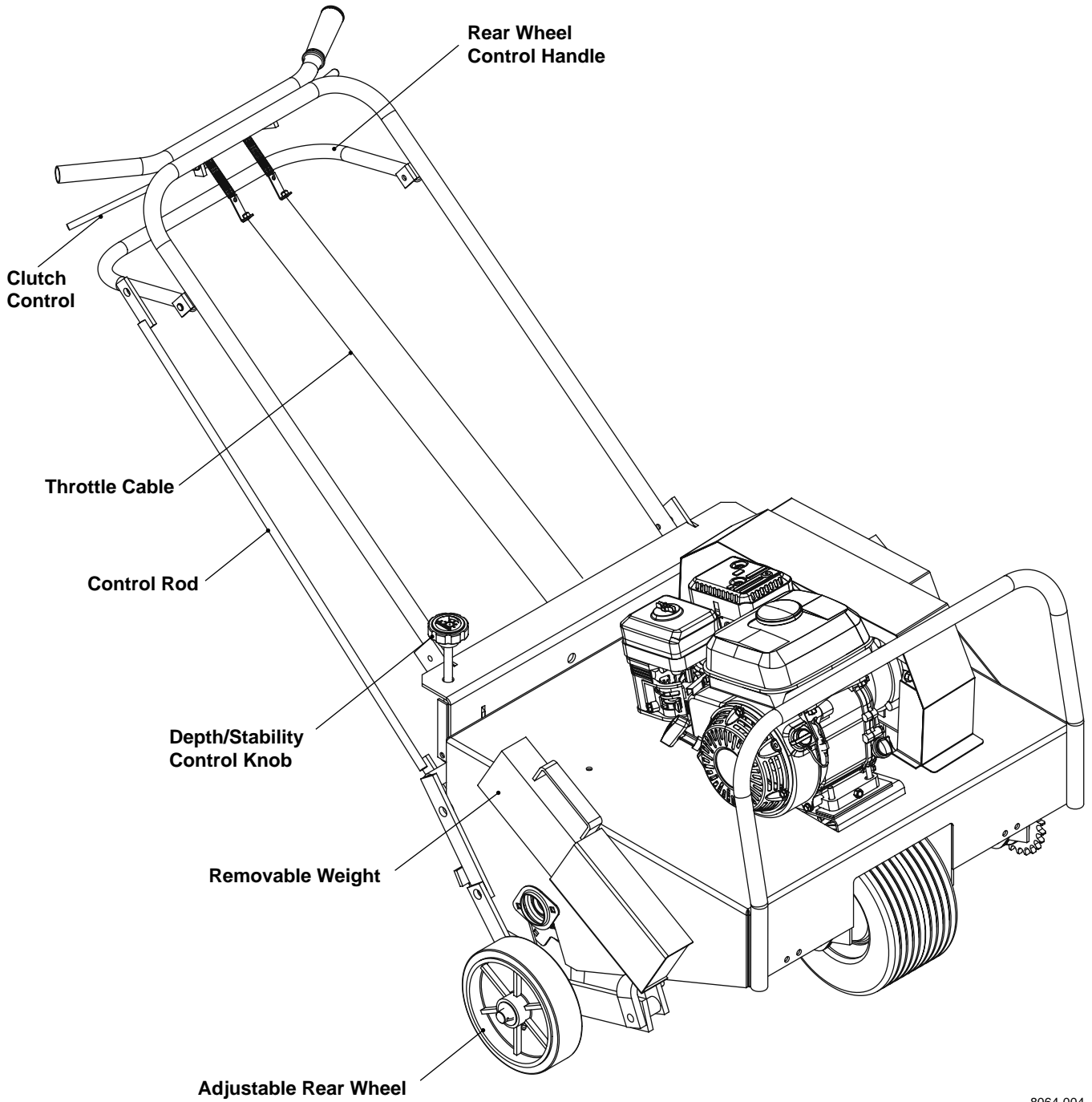
Model AR19



8064-002

CONTROLS

Models AR25



8064-004

ASSEMBLY

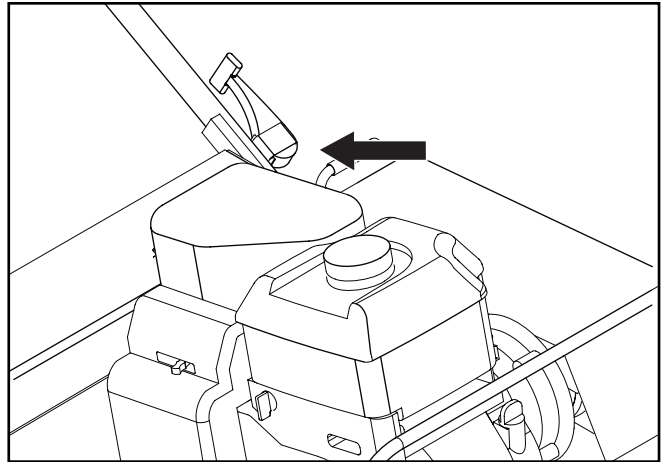


CAUTION!

Use protective glasses when removing unit from crate.

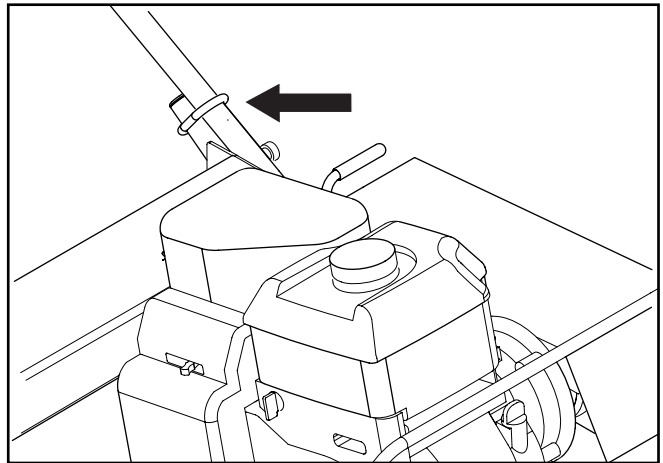
Model AR19 Handle

1. The aerator is shipped with the handle folded. Rotate handle into upright position and lock, using the cam lock lever or link lock (dependent on model).



8060-001

Locking cam for handle

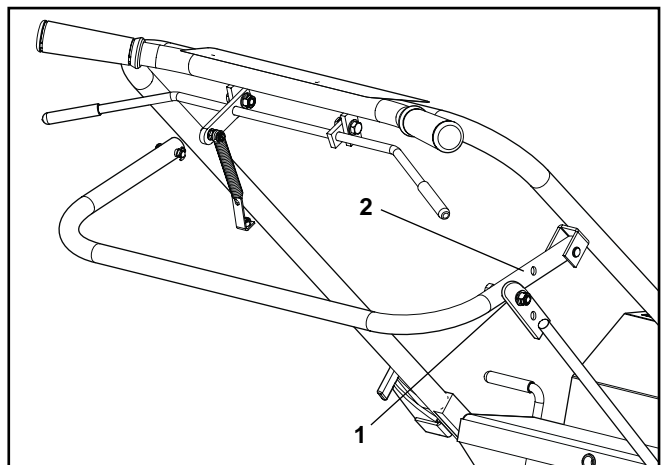


8060-033

Locking link for handle

2. **Cam Lock** - Connect the top of control rod to rear wheel control handle with the fasteners located on the rear wheel control handle, using the back holes. (See illustration)

Link Lock - Connect the top of control rod to rear wheel control handle with the fasteners located on the rear wheel control handle, using the front holes. (See illustration)



8060-003

1. Cam lock assembly location

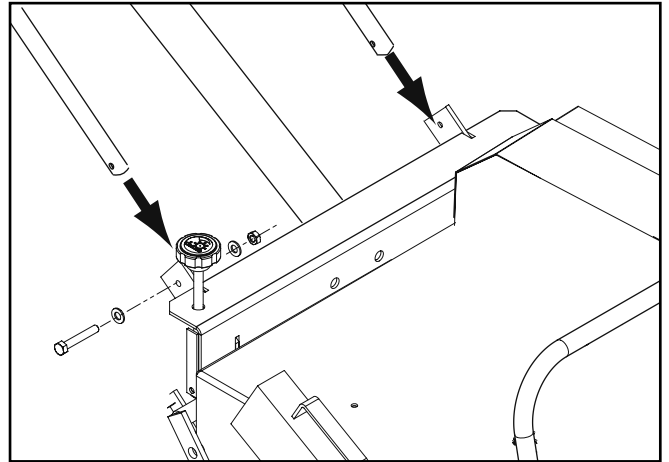
2. Link lock assembly location

Connecting control rod

ASSEMBLY

Model AR25 Handle

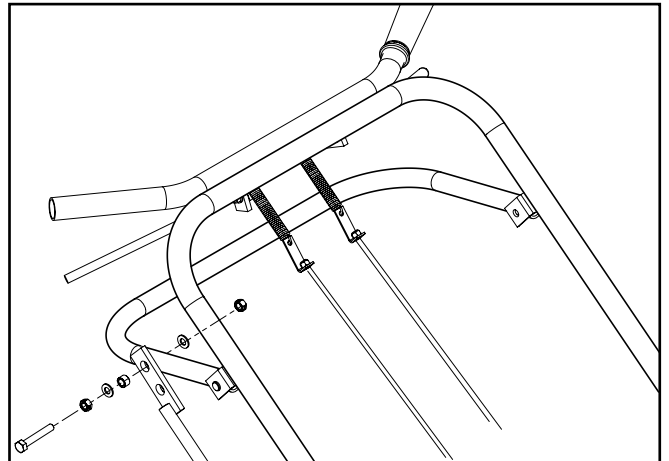
3. The aerator is shipped with the handle detached. Mount the handle using two ½" wrenches.
 - a. Slide handle onto handle mounting brackets.
 - b. Insert and tighten fasteners, which are located on handle mounting brackets.



8060-034

Attaching non-folding handle

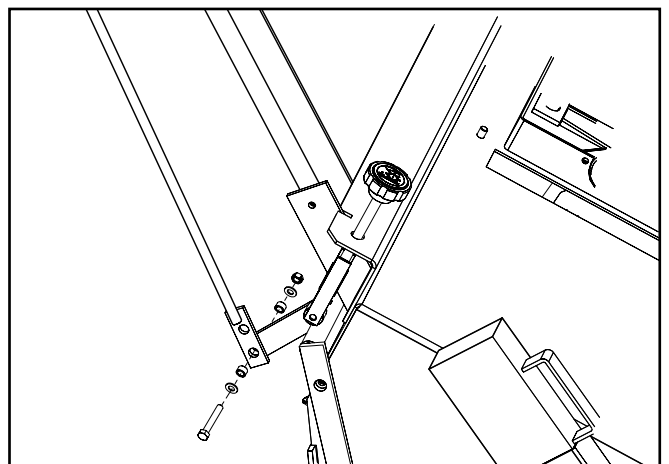
4. Connect top of control rod to rear wheel control handle with fasteners located on rear wheel control handle using the upper hole on the control rod.



8060-035

Connect upper control rod

5. Connect bottom of control rod to OUTER side of lever on the torque arm through the lower hole, using the fastener assembly.



8060-036

Connect lower control rod



CAUTION!

Be certain that the clutch cable is properly routed.

ASSEMBLY

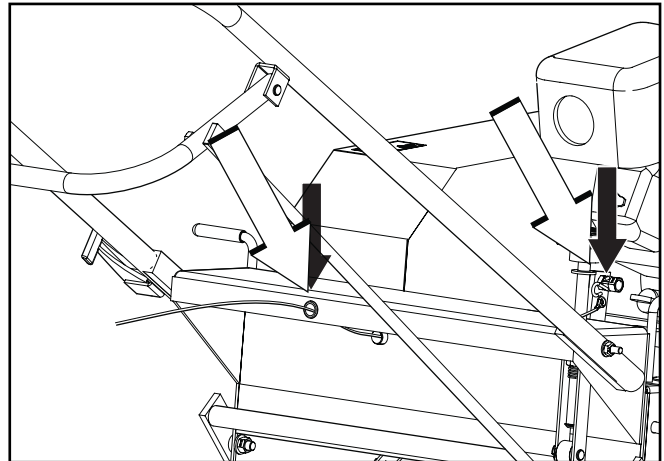
Clutch and Throttle Cables

6. Run the clutch cable through the guide hole in the handle bracket support bar located at rear of the deck.
7. Attach end of cable to the "S" hook located on the belt idler pulley.



CAUTION!

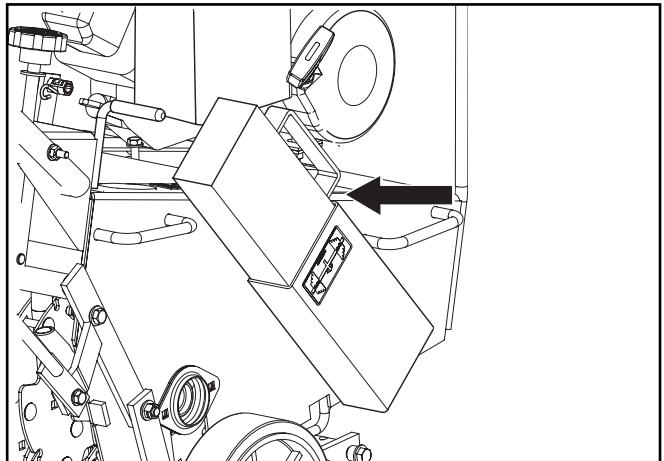
Be certain that the clutch cable is properly routed.



8060-002

Route clutch cable through guides

8. AR25 Honda Engines Only - The throttle cable has been installed by the factory, however the throttle spring needs to be connected to throttle/clutch control lever.

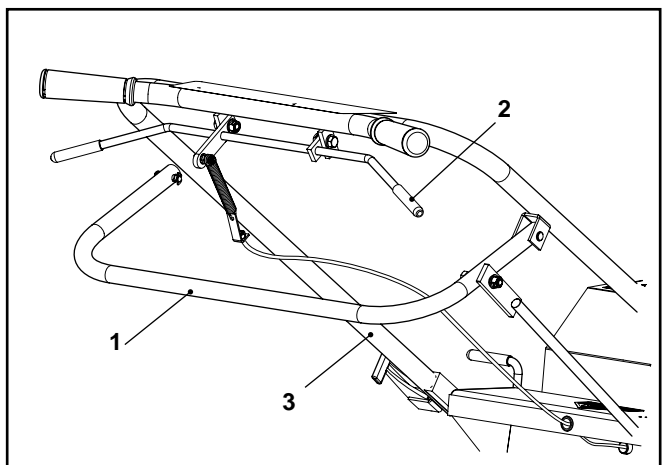


8060-004

Removable wheel weight

Before Starting

1. Ensure that the engine oil and gear reduction oil levels are at the engine manufacturer's recommended level (refer to engine manual). The machine must be level when filling with oil.
2. With the folding handle in its operating position, lock the handle cam lock or link lock. (Model AR19).
3. The rear wheel control handle must be pulled up so rear wheels are fully down.
4. Insert weights if needed.
5. Check that the handle is properly mounted.
6. Test the clutch handle to ensure that the clutch releases freely.
7. The engine top speed is preset by the engine manufacturer. Consult the engine manufacturer's manual for instructions to adjust the governor and carburetor if the speed is not within correct range.



8060-006

1. Rear wheel control handle
2. Clutch control handle
3. Handle

Check controls before starting

OPERATION

Aeration Tips

Watering Before Aerating

The best aerating condition is soft, moist ground. If unsure of the ground conditions, as in soil with high clay content, test to determine whether it is necessary to water before aerating.

Push a garden hand spade or large screw driver into ground. The tool should drive in 2-3 inches with little effort. If unable to do so, watering the lawn a day before aerating is necessary.

Using Removable Weights

Soil conditions dictate whether extra machine weight is needed for effective coring action. The weights are provided to give added control and greater tine penetration.

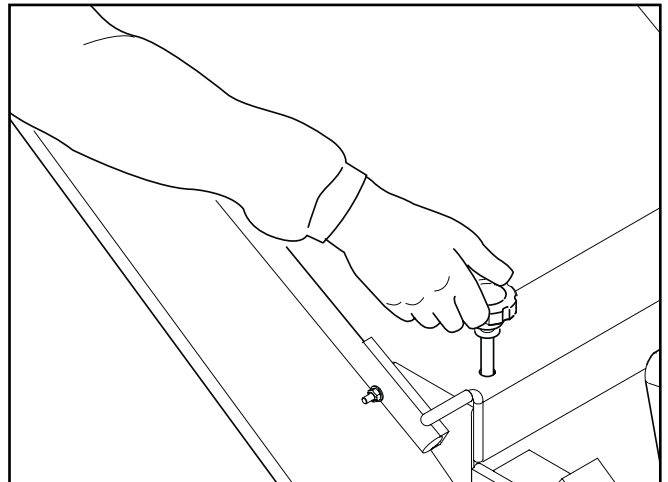
Aerating

1. Start engine and adjust throttle setting to provide comfortable walking speed and maintain control of the equipment at all times.
2. Adjust depth control knob to desired depth. Coring depth decreases by turning the knob clockwise.
NOTE: raising rear wheels all the way up to obtain maximum coring depth reduces the unit's stability but increases length of core.
3. Push down the rear wheel control handle to lower aerating tines into the ground (rear wheels will rise).
4. Push down on handle bar for better tine penetration and maneuverability (front wheel will rise).
5. Engage clutch control.
6. To stop, release clutch control.



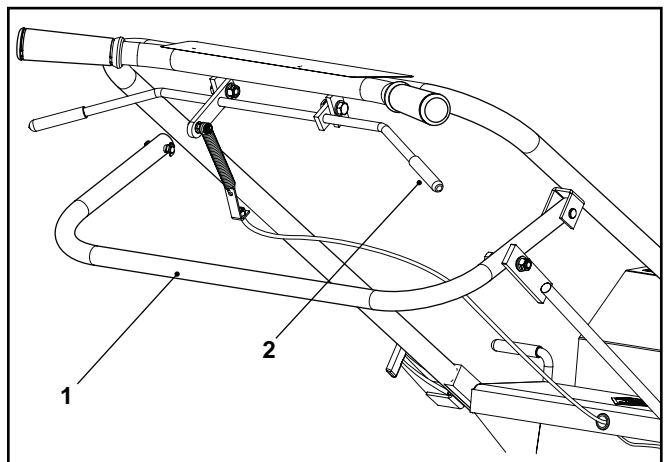
WARNING!

NEVER cross hard objects or surfaces (sidewalks, driveways, stepping stones) with tines down.



8060-008

Adjust depth control knob



8060-006

1. Rear wheel control handle
2. Clutch control
Aerating controls

OPERATION

Rear Wheel Adjustment

The rear wheel depth/stability control knob allows adjustment for better stability and maneuverability when the knob is turned in a clockwise rotation

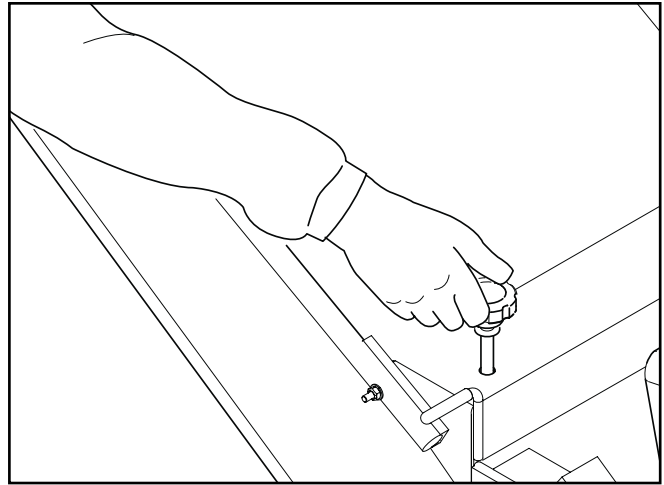
Adjustments for depth are made by turning the knob counterclockwise. This adjustment determines the length of the cores pulled by:

Adjusting the rear wheels to a desired level to control the penetration of the tines to within a fraction of an inch.

With the rear wheels in the “fully up” position, maximum tine penetration is gained. Pushing down on the machine’s handle bars puts most of the weight of the machine on the tines. This results in pulling the longest cores.

NOTE: Adjusting for greater stability gives greater side-to-side control and will improve maneuverability during aeration. (See **Operating on Slopes.**)

Adjustments for stability will shorten the length of the cores pulled.



8060-008

Control depth and stability with rear adjustment knob



WARNING!

This method is NOT recommended when operating on slopes.



CAUTION!

NEVER cross hard objects or surfaces (sidewalks, driveways, stepping stones, etc.) with tines down.

Turning and Maneuvering

Gradual maneuvering while aerating can be accomplished by carefully guiding the machine. It is recommended to adjust the engine’s speed control to allow for a comfortable walking speed and maintaining complete control while working in tight spaces.

Adjusting for more stability (with the rear wheels lowered, reducing tine penetration) will make turning easier.

When reversing direction or making sharp turns, select the safest and most comfortable method for the conditions you face:

- Release clutch control handle, pull up rear wheel control handle, then pivot machine on rear wheels to turn.
- Release clutch control handle, lift handle bar and pivot machine on front wheel.



WARNING!

DO NOT operate on slopes exceeding 35% grade.



WARNING!

In extreme situations (very steep slopes) the machine may be unbalanced and present the danger of rolling over.

OPERATION

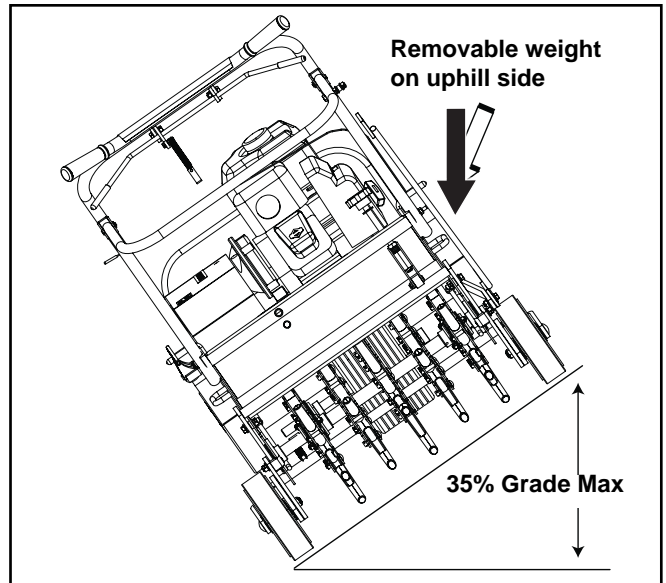
Operating On Slopes

This unit is not designed to be used on steep slopes. Be aware that when operating on slopes the tilt of the aerator will cause the machine's center of gravity to shift to the downhill side of the machine. Under these circumstances you may experience:

- the need to exert a greater effort to steer and maintain the balance of the machine.
- uneven tine penetration, when operating across a slope. Due to the shifted center of gravity the downhill tines will penetrate to the maximum depth, while uphill tines may not.

When operating on slopes:

- operate the machine up and down the slopes instead of across.
- use the rear adjustment knob to set the rear wheels for extra stability. This can be a great benefit when you do need to run the aerator across a slope. Additionally, using the depth control when aerating across a slope improves the consistency of the cores pulled from the uphill tines when compared to those pulled by the downhill tines.
- remove the downhill side weight to reduce rollover risk and maintain consistent core plug length.
- move remaining weight from downhill side to uphill side after each pass when operating across slopes.



8060-007

Place weight on uphill side of slope



WARNING!

NEVER disengage tines from ground when traveling uphill or downhill. **ONLY** disengage on a flat surface.

OPERATION

Transporting

Model A19

The Husqvarna A19 Aerator has three convenient features to assist you in transporting the unit in your pickup truck, van and even in some car trunks—removable weights, a folding handle and convenient lifting handles on the sides of the machine. The features are provided for optional use and can be of great benefit when required.



CAUTION!
DO NOT lift aerator with weights installed.

Removable Weights

- Unlatch weight locks.
- Grab weight handles and pull the weights from the machine.

Note: Weight 36 lb/16 kg each.

Folding Handle

- Release handle cam lock by lifting cam lever upwards. For handles with link lock—slide link up and hook links on upper handle pins.
- Fold handle forward over the engine until it is resting on the engine guard.

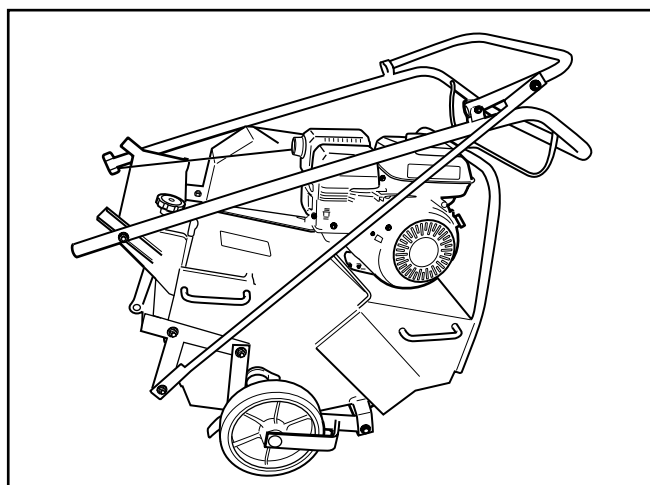
Lifting Handles

Lifting handles are located on both sides of the aerator, to allow two people to lift the unit.

Model A25

The removable weights are for side hill stability and tine penetration as applicable.

With the weights in place, these models are designed for easy loading and unloading on ramps and trailers. The treaded front wheel provides increased control during transport. Use engine power to load unit.



8060-037

Remove weights and fold for transporting



CAUTION!
Avoid back or muscle injury! Use safe lifting techniques, DO NOT exceed your physical limitations. DO NOT attempt to lift ALONE. Weight 193 lb/88 kg w/o weights.

MAINTENANCE AND SERVICE

Cleaning

Regular cleaning, washing and lubricating will prolong the service of the machine.

NOTE: Use care with power washers to avoid damage to warning decals, operator instruction labels, bearings, chains and engine. Limit direct spray on these items.

Do not exceed 1000 psi water pressure for cleaning.

Two Minute Rule

Aerators may be tipped on the engine guard for cleaning and access for no more than 2 minutes. Engine damage may result from gasoline draining into the crankcase if prolonged. See engine manufacturer's operating and maintenance instructions.

Maintenance Schedule

Inspection Schedule

Item	Out of Box	First 5 hrs	Every 10 hrs	Each Use
Engine Oil	■			
Gear box oil	■			
Engine air cleaner	■			
Clutch and cable	■			■
Chain tension	■	■	■	
Belt wear and tension	■			■
Tine wear and condition	■			■
Fasteners	■		■	
Sprockets and set screws	■		■	
Frame condition	■		■	
Decals	■			■

Lubrication Schedule

Item	Lubricant	Every 20 hrs	Every 60 hrs	As Required	Storage
Engine	Oil, see Engine Owner's Manual			■	
Gear Box	Oil, see Engine Owner's Manual			■	
Rear wheels	Lithium based grease		■	■	■
Chain	Graphite dry lubricant (aerosol)			■	■
Tines	Light machine oil				■
Linkage	30W oil	■(*)			■

(*) after each pressure wash or steam cleaning

MAINTENANCE AND SERVICE

Drive Train

Engine - removal and replacement

1. Remove weights for access.
2. Remove drive guard.
3. Remove V-Belt.
4. Remove engine bolts.
5. Lift engine from unit.

NOTE: Model AR25 aerators equipped with optional Honda engines have two (2) pairs of shim plates under the engine.

6. Remove and retain V-pulley and key.
7. Replacement procedure opposite of removal.
8. Adjust drive belt and align V-pulley, see following section.

Drive Belt

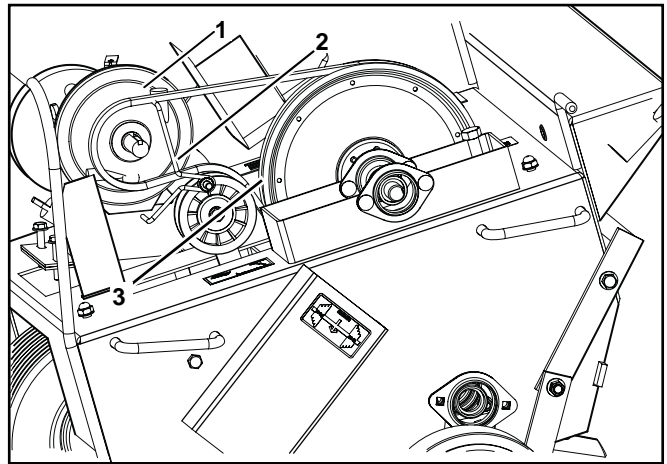
Replacement and Adjustment

1. Turn off engine and remove the drive guard cover.
2. Remove V-belt.
3. Inspect condition of V-pulleys and replace if necessary.
4. Check V-pulley alignment by looking down the belt with clutch engaged. Be sure both V-pulleys are directly in line with each other. Correct their alignment if not.
5. Install new belt over small V-pulley first, then over the large V-pulley.
6. Insure V-belt is inside both keeper arms.
7. Check that the V-belt clears the top belt keeper arm when idler is pulled tight. Check that the aerator rolls freely (with handle folded on Model AR19), with the belt slack. Adjust the keeper, or clutch cable length if necessary.
8. For clutch adjustments refer to next section (Clutch Cable Removal and Replacement).
9. Replace drive guard.

Engine

Follow the engine manufacturers maintenance instructions. Should any malfunction occur with the engine during the warranty period, take it to an Authorized Service Dealer. DO NOT tear down the engine, as this may void the engine manufacturer's Warranty.

NOTE: Refer to engine manufacturer's Owners Manual for all engine service information.



8060-010

1. Small pulley
 2. Belt keeper
 3. Large pulley
- Replace belt on small pulley first*

IMPORTANT INFORMATION

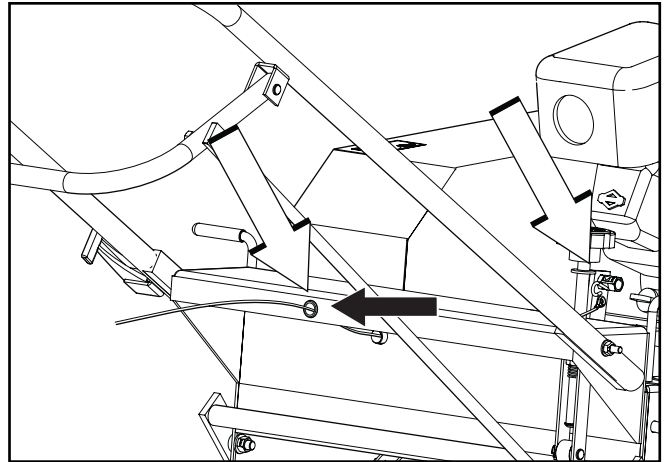
Many parts, including the drive belt on your aerator, are made specifically for Husqvarna to give many hours of use. Replace all parts with genuine Husqvarna parts to obtain maximum performance and unit life.

MAINTENANCE AND SERVICE

Clutch Cable

Removal and Replacement

1. Turn off engine and remove old clutch cable.
2. Route new cable through the hole at the rear of housing.
3. Attach clutch cable to the bracket on the spring on the idler assembly, then connect opposite end of cable to the S hook.
4. Adjust cable to obtain $\frac{3}{4}$ " to $1\frac{1}{4}$ " extension of the clutch spring when clutch is engaged.



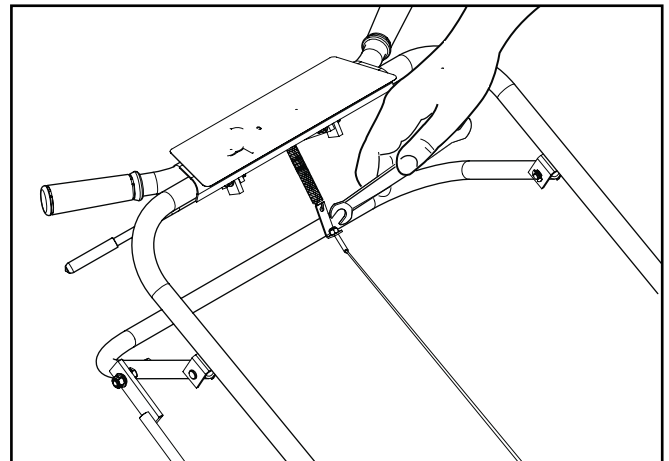
8060-002

Route clutch cable through guides

Throttle Cable

Removal and Replacement

1. Before removing your old cable measure the amount of cable extending past the cable screw.
2. Remove the old throttle cable and route the new cable through the guide hole at the rear of the housing.
3. Insert the new cable through the cable screw to the measurement obtained in step 1 and tighten. This is only an approximate setting, some additional adjustment may be required.
4. Attach the new adjuster bracket to the spring on the throttle/clutch lever.



8060-013

Adjust cable

As the cable length increases between the cable screw and adjuster nut the engine speed decreases. If engine speeds too low, the engine will stall as the clutch engages. As the cable length decreases between the cable screw and adjuster nut, the engine speed will increase. If engine speed is too high, the controlled start will be lost.

MAINTENANCE AND SERVICE

Throttle Cable

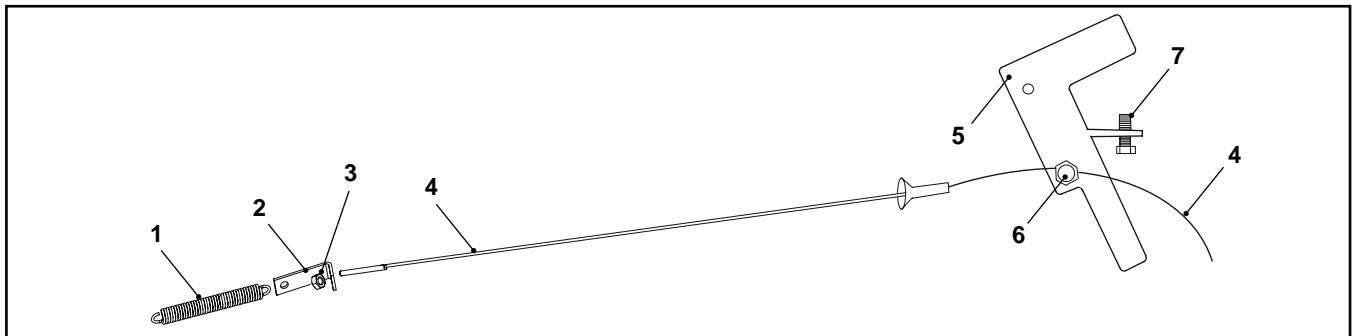
Model AR25

Adjustment

1. Start engine and allow it to reach operating temperature.
2. Adjust the throttle cable at the adjuster bracket by turning the adjuster nut. Tightening will increase engine speed, loosening will reduce engine speed.

NOTE: A properly adjusted throttle will slightly increase engine speed as the clutch engages.

- If the clutch engages too soon, the engine will stall.
- If the engine speed is too high, the gradual controlled start is lost.



8060-038

- | | | |
|---------------------|-------------------|----------------|
| 1. Throttle spring | 4. Throttle cable | 6. Cable screw |
| 2. Adjuster bracket | 5. Throttle lever | 7. Stop screw |
| 3. Adjuster nut | | |

MAINTENANCE AND SERVICE

Chain

Removal and Replacement

1. Turn off engine.
2. Remove the drive guard.
3. Loosen chain idler adjustment bolt and lock nut.
4. Remove master link and remove chain.
5. Inspect and align sprockets. Check set screws. (Double set screws for wheel and rotor sprocket.)
6. Install new chain from top (drive sprocket side) as illustrated.

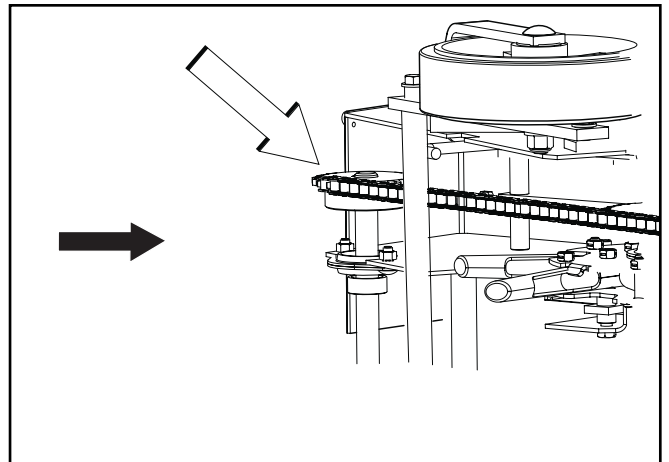
NOTE: Chain is most easily connected just behind the front drive wheel sprocket.

7. Install master link with pin plate on engine side of chain with keeper plate installed on outboard side. Install clip with split to front of machine.

Adjusting Tension

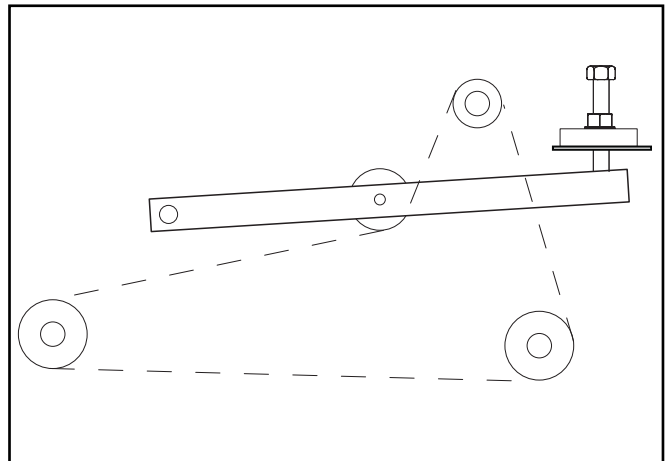
1. Turn engine off.
2. Remove drive guard, loosen lock nut on idler adjustment bolt.
3. Turn idler adjustment bolt to adjust tension to allow $\frac{1}{8}$ " to $\frac{1}{4}$ " movement at the center point between the wheel sprocket and the rotor sprocket
4. Tighten lock nut.

NOTE: Husqvarna recommends the replacement of sprockets when replacing drive chain.



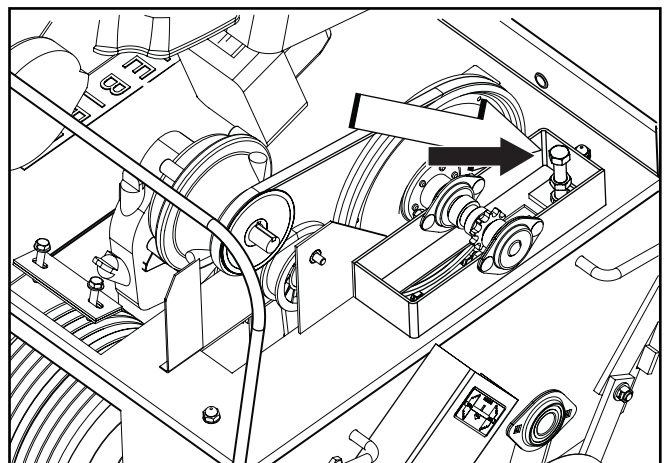
Inspect and align sprockets

8060-014



Chain routing

8060-009



Idler adjustment bolt

8060-015

MAINTENANCE AND SERVICE

Tines

Tine Wear

After the Husqvarna Aerator has been used for sometime, the tines will wear. When this happens aerating performance diminishes. Inspect tines using the drawing, replace when at minimum length or before. (Tines are 5" when new.)

Tine Replacement

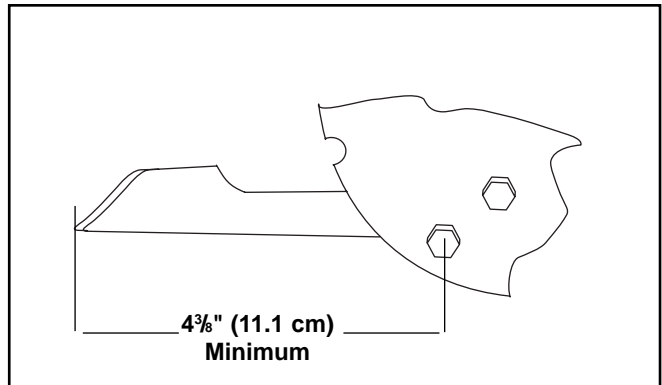
1. Turn off engine and remove weights.
2. Fold handle on the AR19 Model.
3. Remove and replace tines by loosening stop bolt. Remove retaining bolt and old tine, insert new tine and fasten with retaining bolt in the same direction as it was removed. When all tines are replaced, tighten stop bolts.

NOTE: Replace worn lock nuts to insure that bolts will hold tines in place.

Tine Shaft Bearing

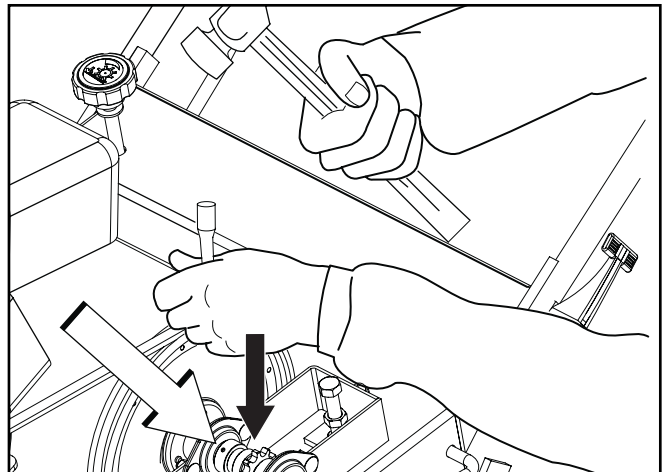
Removal and Replacement

1. Turn off engine and remove weights.
2. Remove drive guard cover.
3. Fold handle.
4. Elevate approximately 4", block and chock rear wheels.
5. Manually cycle the drive chain for access to master link.
6. Turn chain idler adjustment screw counter clockwise to loosen the chain.
7. Remove the master link and free rotor sprocket.
8. Remove the tine rotor shaft bearing bolts (4).
9. Remove the rotor shaft assembly.
10. Remove outer rotor bearing by loosening the set screw in the collar.
11. Unlock collar (best accomplished by using a hammer and pin punch). Insert pin punch into the hole next to the set screw and, using the hammer and with moderate striking, hit collar so that it rotates in the opposite direction the rotor would normally turn.
12. Reverse steps to reinstall.
13. Refer to sections "Chain Removal and Replacement" and "Adjusting Chain Tension" for chain replacement and adjustment of chain tension.



8060-011

Check tines for wear



8060-012

Unlock inner bearing

MAINTENANCE AND SERVICE

Free-Wheeling Tine Assembly

Removal and Replacement

Complete steps 1 through 12 in previous section, then proceed with the following:

1. After the bearing is off the rotor, unlock the inner bearing that secures the tine assembly.
2. Remove outer free-wheeling tine assembly.
3. Place the new rotor assembly beside the old assembly to have a pattern to follow indicating the correct direction for the new tine installation. The fixed tine assembly is also an example of proper installation.
4. Once the tines are installed on the free-wheeling assembly, reinstall the inner and outer bearing assemblies on the free-wheeling assembly. Face the bearing hubs toward the fixed tines. Make sure that the inner bearing has a locking collar. Hand tighten the nuts only.
5. Slide the new free-wheeling tine assembly onto the shaft, making sure that the tine direction matches the direction of the fixed tine assembly. The bearing with the locking collar faces the fixed tines and butts up against the shoulder of the shaft.
6. Tighten the four nuts on the bearing assemblies.
7. Lock the bearing collar in place with the hammer and punch making sure the collar locks in the same direction as the rotation of the rotor.
8. Replace outer shaft bearing and reinstall the entire rotor assembly by reversing steps 1 through 12 in previous action. Instructions are for one side. Both are procedurally identical.

Handle

Model AR19, Cam Lock

Inspection

1. The handle cam lock must lock shut under moderately heavy hand pressure. The handle frame should be tightly secured to the aerator body.
2. Check the cam rod lock nut. If the lock turns freely by hand when cam is released, the nut must be replaced to maintain the security of the lock.

Adjustment

With the handle in the operating position, tighten the cam rod lock nut ($\frac{1}{4}$ turn at a time) until cam handle locks with moderately heavy hand pressure.

IMPORTANT: excessive adjustment of the lock nut will damage the cam rod. ALWAYS replace a free spinning nut to avoid unwanted loosening of the handle. For smooth operation of the cam, apply a small amount of grease on the cam edge.

Model AR19, Link Lock

Inspection

The link lock needs only to have inspection for secure hardware and snug fit.

MAINTENANCE AND SERVICE

Wheels

1. Turn off engine and empty all fuel from the fuel tank.
2. Remove weights and drive guard.
3. Loosen the lock nut on adjustment screw to loosen the chain. Remove master link and chain.
4. Tip the front end up to let the aerator rest on its handle. The front wheel will be approximately one foot off the ground.



CAUTION!

Secure handle to prevent aerator from tipping.

5. Remove the four wheel shaft bearing bolts (4 on the AR19 and 6 on the AR25).
6. Remove the wheel axle assembly.

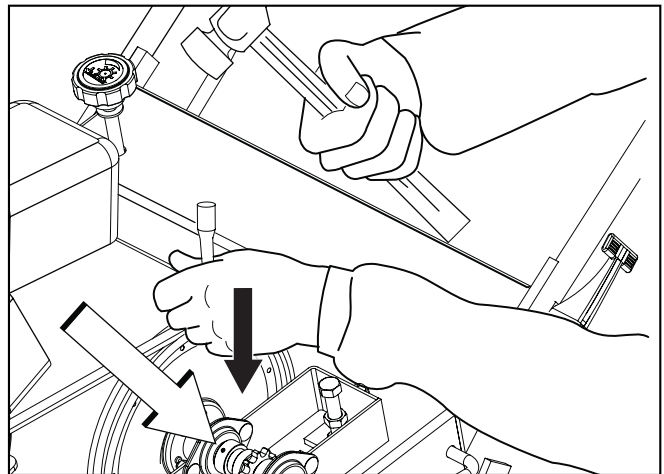
Drive Wheel Shaft

Removal and Replacement

7. Pull sprocket and bearing from shaft.
NOTE: Sprocket is double set screwed. To remove the bearings, you must first remove the collar by loosening the set screw, then insert pin punch into the hole next to the set screw and, using a hammer, with moderate striking, hit collar so that it rotates in the opposite direction the wheel would normally turn. If bearings are rusted in place they will have to be replaced along with the wheel and shaft.
8. Install bearings and sprocket loosely onto the shaft.
Model AR19: hub side away from wheels. Model AR25 has 3 bearings. Wheel bearings should have hubs facing away from wheel. Wheel shaft bearing should have hub facing away from sprocket.
9. Bolt bearings into place.
10. Center the wheels between the wheel opening and the housing. Lock the collars in place and tighten set screws.
11. Align and tighten the sprocket (there are double set screws stacked two in each hole) use blue loctite with the key in place.
12. Replace the chain following procedures in section "Chain Removal and Replacement".
13. Adjust chain per section "Adjusting Chain Tension" and replace drive guard.

IMPORTANT INFORMATION

Excessive adjustment of the lock nut will damage the cam rod. ALWAYS replace a free spinning nut to avoid unwanted loosening of the handle. For smooth operation of the cam, apply a small amount of grease on the cam edge.



Collar punch pin hole

8060-012

MAINTENANCE AND SERVICE

Rear Wheels

Removal and Replacement

Model AR19

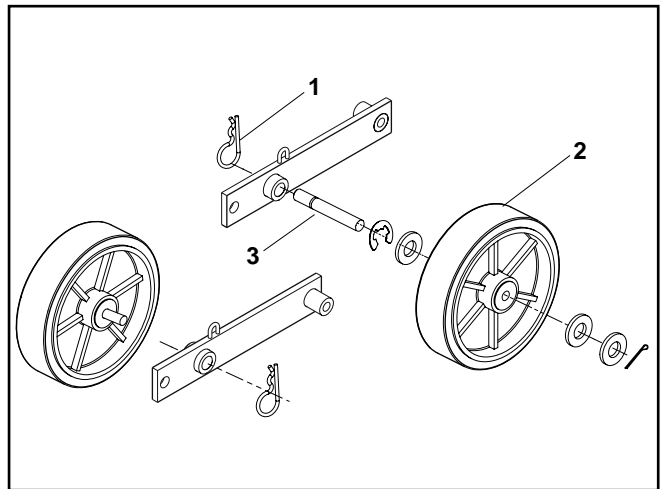
1. Make sure unit is on level ground and engine is turned off.
2. Lower the rear wheel control handle to let the aerator rest on the tines.
3. Turn the rear wheel depth/stability control knob to adjust the rear wheels for minimum depth clockwise (more stability).
4. Remove the axle nut. Pull the axle bolt, then the wheel from the wheel carriage.
5. Install a new wheel with grease fitting facing out, with seals carefully in place on the wheel bushing. Insert axle bolt through wheel and wheel lift frame. Use washer and lock nut, tighten firmly.
6. Grease wheel bearings.

Rear Wheels

Removal and Replacement

Model AR25

1. Make sure unit is on level ground and the engine is turned off.
2. Lower the rear wheel control handle to let the aerator rest on the tines.
3. Turn the rear wheel depth/stability control knob clockwise to adjust the rear wheels for minimum depth (more stability).
4. Remove the hairpin cotter pin.
5. Slide the wheel assembly off the machine.
6. Install hairpin cotter pin into the axle when removed to prevent loss.



8058-025

1. Hair pin
2. Wheel assembly
3. Axle

Removable wheel - AR25 only

TECHNICAL DATA

Power Unit	AR19 / 968982102	
Engine		
Manufacturer	Honda	*The power rating of the engine indicated is the average net power output (at specified rpm) of a typical production engine for the engine model measured to SAE standard J1349/ISO1585. Mass production engines may differ from this value. Actual power output for the engine installed in the final machine will depend on the operating speed, environmental conditions and other variables.
Type	GX120K1HX2	
Power	4 hp* / 2.98kW	
Clutch	Belt Tensioner	
Primary Drive	V-Belt	
Secondary Drive	Permalube Chain	
Gear Reduction	6:1	
Wheels		
Bearings	Front - 3/4" (1.9 cm) sealed ball bearings with stamping kit Rear - 3/4" (1.9 cm) roller bearing	
Rear Tires	8" x 2" (20 cm x 5 cm) solid rubber	
Front Tire	10" x 6" (25 cm x 15 cm) semi-pneumatic	
Aeration		
Tines	3/4" (1.9 cm) open spoon tine, 30 per unit	
Aeration Width	19" (48.3 cm)	
Hole Pattern	3 4/5" x 6 1/2" (9.7 cm x 16.5 cm)	
Core Depth	Up to 3" (7.6 cm)	
Holes per sq ft	7.7	
Working Speed	250 ft/min (4.57 km/h)	
Productivity	Up to 25,000 sq ft/hr (2323 m2/h)	
Weights and Dimensions		
Net weight	288 lbs (131 kg)	
Shipping weight	355 lbs (161 kg)	
Removable weights	2 x 36 lbs (16.3 kg)	
Height with handle folded	37" (94 cm)	
Height overall	51 1/2" (130.8 cm)	
Length with handle folded	39 1/2" (100.3 cm)	
Length Overall	57 1/2" (146 cm)	
Width	29 3/4" (75.6 cm)	
Vibration		
Daily Exposure		
Hand/Arm A(8)	2.20 m/s ²	
Equivalent Vibration		
Hand/Arm A _{h_v,eq}	3.11 m/s ²	
Standard Deviation		
Hand/Arm	0.3 m/s ²	
Noise		
Measured Value	99 dB(A)	
Guaranteed Value	100 dB(A)	
Operator Ear	91 dB(A)	

TECHNICAL DATA

Power Unit	AR25 / 968982105	
Engine		
Manufacturer	Honda	*The power rating of the engine indicated is the average net power output (at specified rpm) of a typical production engine for the engine model measured to SAE standard J1349/ISO1585. Mass production engines may differ from this value. Actual power output for the engine installed in the final machine will depend on the operating speed, environmental conditions and other variables.
Type	GX120K1HX2	
Power	4 hp* / 2.98kW	
Clutch	Belt Tensioner	
Primary Drive	V-Belt	
Secondary Drive	Permalube Chain	
Gear Reduction	6:1	
Wheels		
Bearings	Front - ¾" (1.9 cm) sealed ball bearings with stamping kit Rear - ¾" (1.9 cm) roller bearing	
Rear Tires	8" x 2" (20 cm x 5 cm) solid rubber	
Front Tire	10" x 6" (25 cm x 15 cm) semi-pneumatic	
Aeration		
Tines	¾" (1.9 cm) open spoon tine, 42 per unit	
Aeration Width	25.5" (64.8 cm)	
Hole Pattern	3 ³ / ₅ " x 6 ¹ / ₂ " (9 cm x 16.5 cm)	
Core Depth	Up to 3" (7.6 cm)	
Holes per sq ft	8.1	
Working Speed	290 ft/min (5.3 km/h)	
Productivity	Up to 40,000 sq ft/hr (3716 m ² /h)	
Weights and Dimensions		
Net weight	420 lbs (191 kg)	
Shipping weight	487 lbs (221 kg)	
Removable weights	2 x 36 lbs (16.3 kg)	
Height with handle folded	28" (71.1 cm)	
Height overall	52" (132 cm)	
Length with handle folded	33" (83.3 cm)	
Length Overall	54" (137 cm)	
Width	38" (96.5 cm)	
Vibration		
Daily Exposure		
Hand/Arm A(8)	2.60 m/s ²	
Equivalent Vibration		
Hand/Arm A _{h_v,eq}	3.68 m/s ²	
Standard Deviation		
Hand/Arm	0.3 m/s ²	
Noise		
Measured Value	97 dB(A)	
Guaranteed Value	98 dB(A)	
Operator Ear	89 dB(A)	

TECHNICAL DATA

Torque Specifications

Hex Head Cap Screws

The torque values shown should be used as a general guideline when specific torque values are not given.

U.S. Standard Hardware

	Grade	SAE Grade 5		SAE Grade 8		Flangelock Screw w/Flangelock Nut	
	ft./lbs	ft./lbs	Nm	ft./lbs	Nm	ft./lbs	Nm
Shank Size (Diameter in inches, fine or coarse thread)	¼	9	12	13	18		
	5/16	18	24	28	38	24	33
	3/8	31	42	46	62	40	54
	7/16	50	68	75	108		
	½	75	102	115	156		
	9/16	110	150	165	224		
	5/8	150	203	225	305		
	¾	250	339	370	502		
	7/8	378	513	591	801		
1 1/8	782	1060	1410	1912			

** Grade 5 - Minimum commercial quality (lower quality not recommended)

Metric Standard Hardware

	Grade	Grade 8.8		Grade 10.9		Grade 12.9	
	ft./lbs	ft./lbs	Nm	ft./lbs	Nm	ft./lbs	Nm
Shank Size (Diameter in millimeters, fine or coarse thread)	M4	1.5	2	2.2	3	2.7	3.6
	M5	3	4	4.5	6	5.2	7
	M6	5.2	7	7.5	10	8.2	11
	M7	8.2	11	12	16	15	20
	M8	13.5	18	18.8	25	21.8	29
	M10	24	32	35.2	47	43.5	58
	M12	43.5	58	62.2	83	75	100
	M14	70.5	94	100	133	119	159
	M16	108	144	147	196	176	235
	M18	142	190	202	269	242	323
	M20	195	260	275	366	330	440
	M22	276	368	390	520	471	628
	M24	353	470	498	664	596	794
	M27	530	707	474	996	904	1205

CONFORMITY CERTIFICATES

USA Requirements

Labels are placed on the engine and/or in the engine compartment stating that the machine will fulfill the requirements. This is also applicable to special requirements for any of the states, (California emission rules etc.). Do not remove any of these labels. Certificates can also be supplied with the machine at delivery or written in the Engine manual. Take care of them as they are valuable documents.

CE Requirements

The Declaration of Conformity is included as an addendum to the operator instructions.

Aerator

Machine complies with:

2006/42/EC

2004/106/EC

2000/14/EC

Business Name & Address:

Husqvarna Turf Care
401 North Commerce
Beatrice, NE 68310 USA

Notified Body:

TUV SUD Industrie Service GmbH
Westendstrasse 199
D-80686 Muenchen

Original instructions

115 15 12-26



2010-04-10