

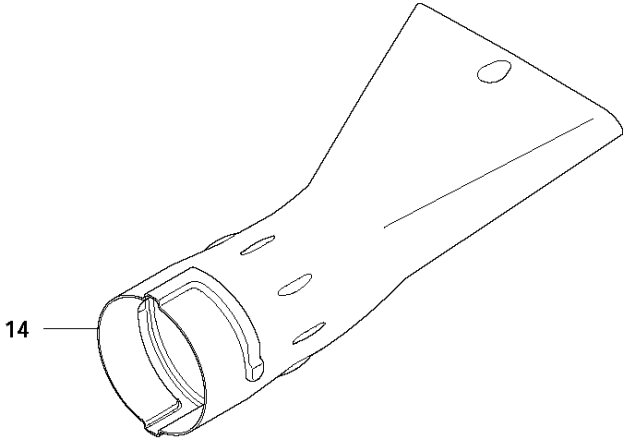
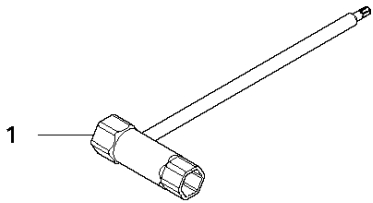


# SPARE PARTS LIST

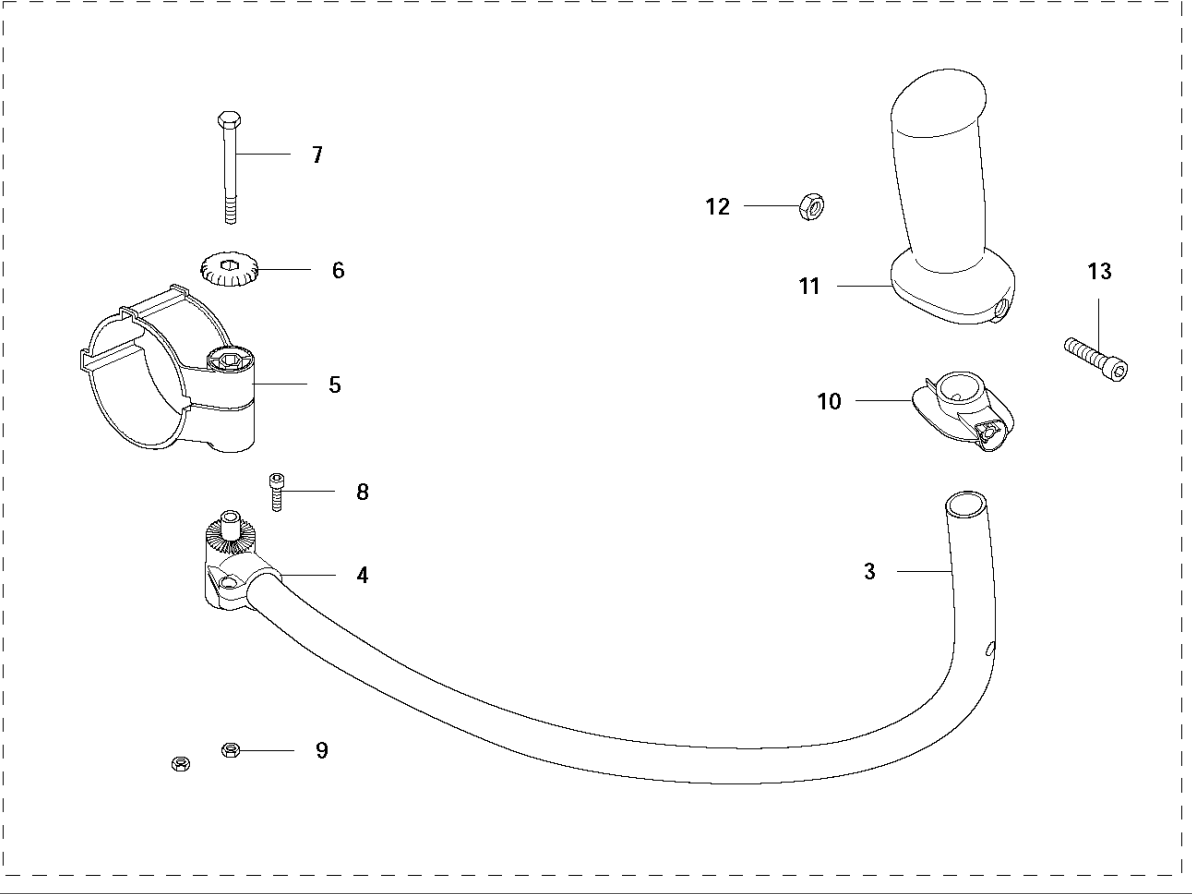
BLOWERS

580 BTS, 2011-05

**R** 580BTS, 580BFS  
ACCESSORIES



2

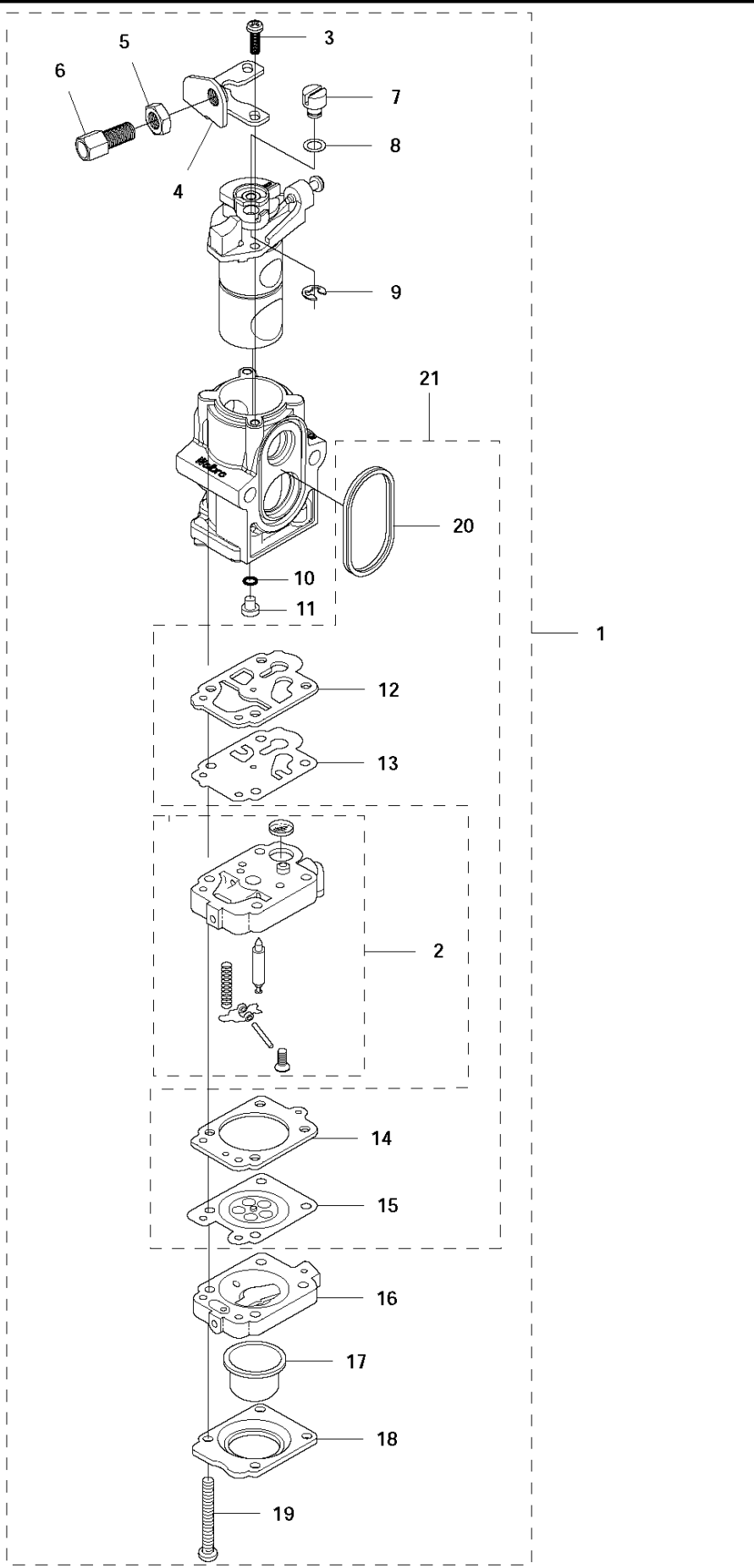


## ACCESSORIES

580 BTS, 2011-05

Ref	Part No	Description	Remark	QTY	KIT
1	521 53 30-01	SOCKET		1	
2	544 40 00-04	HANDLEBAR ASSY		1	
3	537 24 13-01	HANDLEBAR		1	2
4	537 29 29-01	BRACKET		1	2
5	576 57 97-01	HANDLE HOLDER		1	2
6	502 20 40-01	KNOB		1	2
7	725 23 47-51	SCREW EHHM		1	2
8	725 53 25-55	SCREW IHSCM		1	2
9	731 23 14-01	HEXAGON NUT		2	2
10	537 17 29-01	COVER		1	2
11	537 17 28-01	HANDLE		1	2
12	731 23 14-01	HEXAGON NUT		1	2
13	503 20 02-45	SCREW IHSCFM		1	2
14	576 58 27-01	NOZZLE		1	

**Q** 580BTS, 580BFS  
CARBURETOR

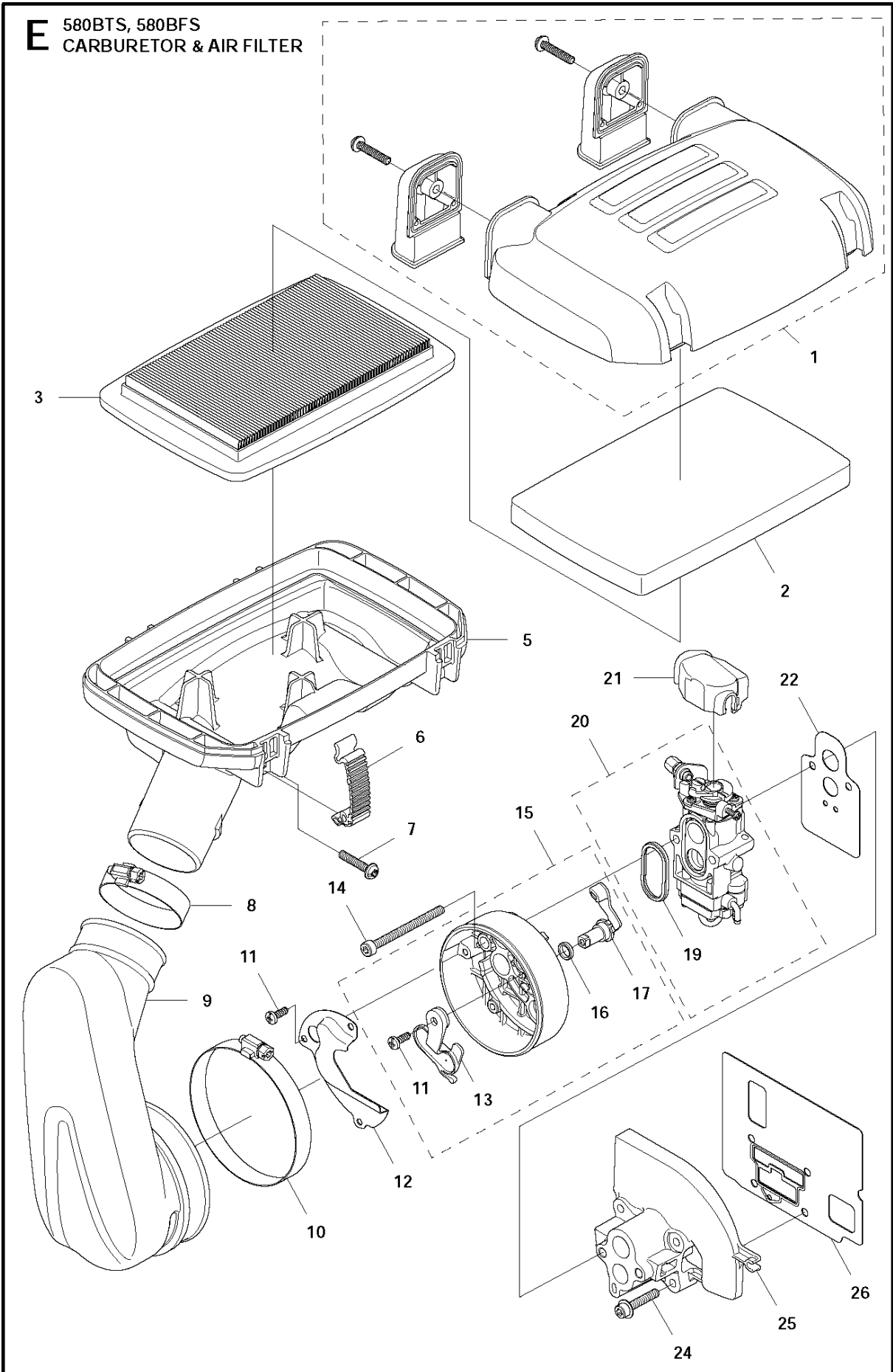


## CARBURETOR

580 BTS, 2011-05

Ref	Part No	Description	Remark	QTY	KIT
1	579 62 97-01	CARBURETTOR		1	
2	544 36 35-01	BODY CARBURETTOR		1	1
3	505 30 79-01	SCREW		2	1
4	506 74 60-01	BRACKET		1	1
5	506 61 26-01	NUT		1	1
6	506 74 13-01	SCREW		1	1
7	506 74 12-01	SWIVEL		1	1
8	506 74 61-01	WASHER		1	1
9	506 73 86-01	RING		1	1
10	505 30 75-01	O-RING		1	1
11	579 60 53-01	MAIN JET		1	1
12	506 74 51-01	GASKET		1	1, 21
13	506 68 98-01	DIAPHRAGM		1	1, 21
14	506 74 08-01	GASKET		1	1, 21
15	505 30 68-01	DIAPHRAGM		1	1, 21
16	506 74 09-01	BODY		1	1
17	505 30 67-01	PUMP		1	1
18	506 74 10-01	COVER		1	1
19	506 74 11-01	SCREW		4	1
20	521 63 15-01	RING		1	1, 21
21	511 45 95-01	GASKET KIT		1	

**E** 580BTS, 580BFS  
CARBURETOR & AIR FILTER

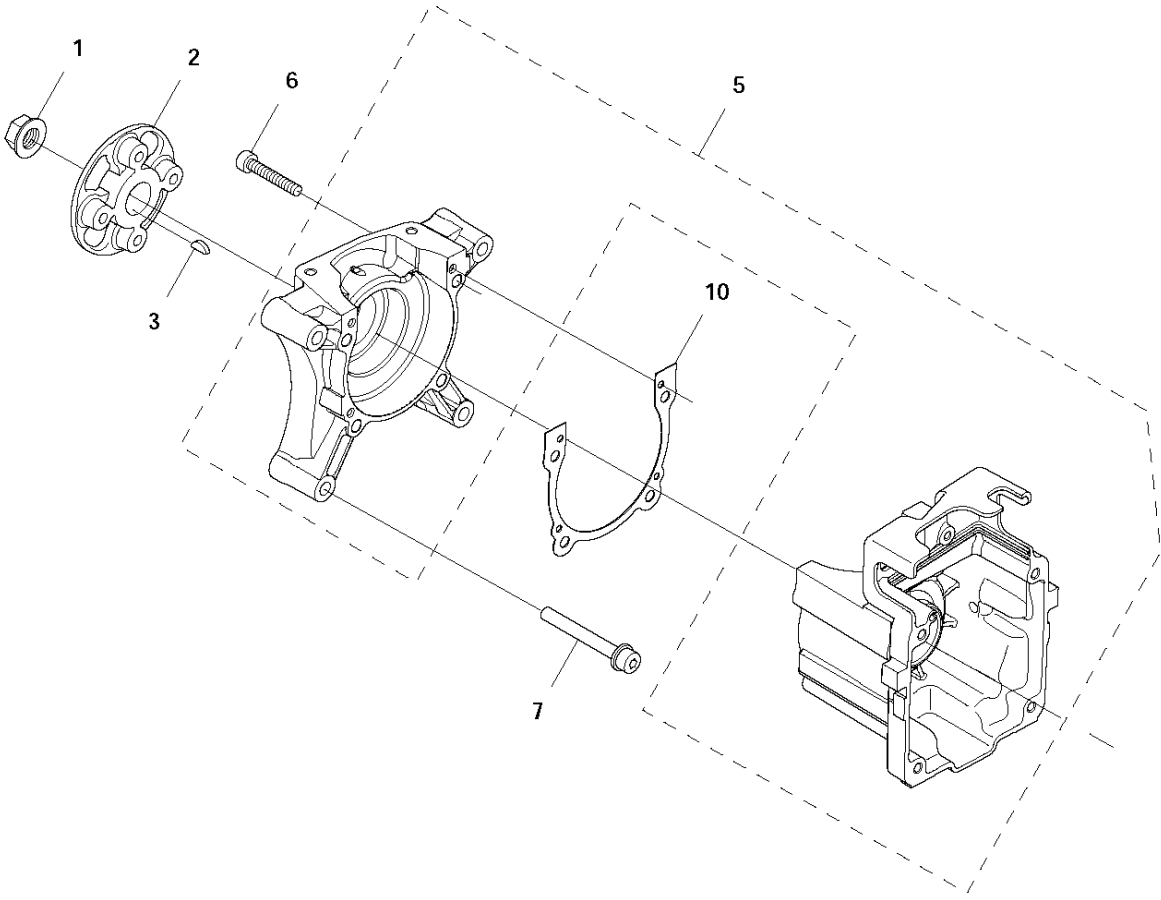


## CARBURETOR &amp; AIR FILTER

580 BTS, 2011-05

Ref	Part No	Description	Remark	QTY	KIT
1	576 58 49-01	AIR FILTER COVER		1	
2	512 65 41-01	AIR FILTER		1	
3	512 65 20-01	AIR FILTER		1	
5	578 31 14-01	AIR FILTER HOLDER		1	
6	503 89 47-01	SNAP		4	
7	512 84 81-01	SCREW		4	
8	544 27 19-01	CLAMP		1	
9	576 58 51-01	HOSE		1	
10	544 27 40-01	CLAMP		1	
11	506 67 38-01	SCREW		4	15
12	576 59 49-01	PLATE		1	
13	576 59 47-01	PLATE		1	15
14	515 39 07-01	BOLT		2	
15	576 59 45-01	CUP		1	
16	516 13 60-01	O-RING		1	15
17	576 59 48-01	LEVER		1	15
19	521 63 15-01	RING		1	20
20	579 62 97-01	CARBURETTOR		1	
21	506 74 42-01	COVER		1	
22	577 08 96-01	GASKET		1	
24	576 58 98-01	BOLT		1	
25	578 10 84-01	INSULATOR		1	
26	577 69 48-01	GASKET		1	

**K** 580BTS, 580BFS  
CRANK CASE



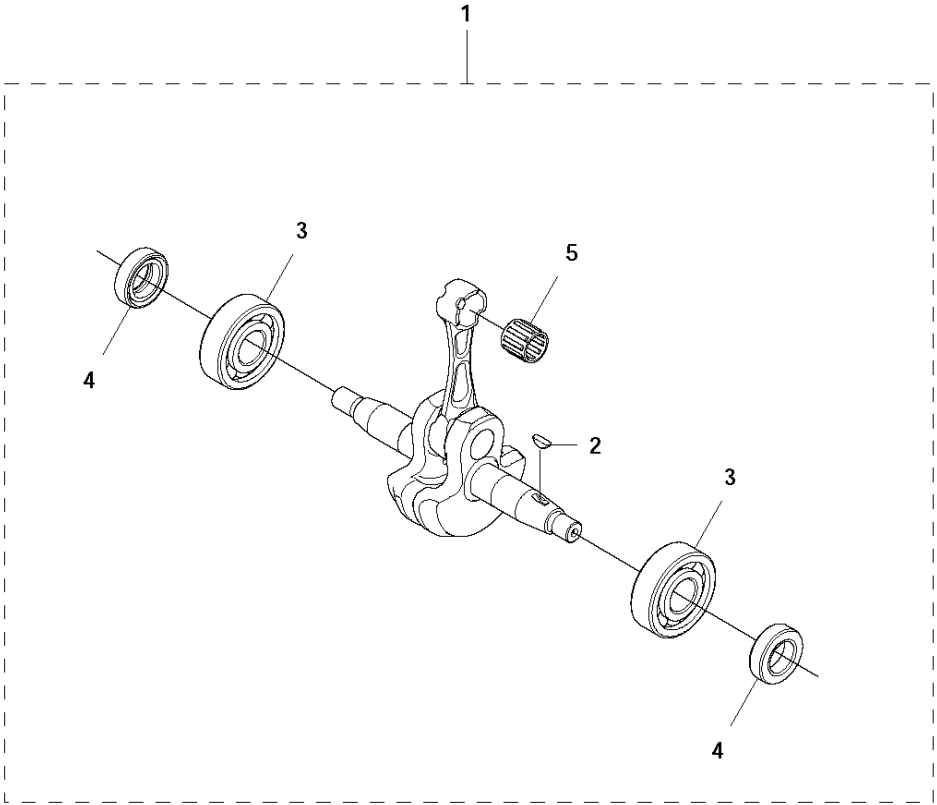


## CRANKCASE

580 BTS, 2011-05

Ref	Part No	Description	Remark	QTY KIT
1	513 24 19-01	NUT		1
2	576 59 27-01	COUPLING		1
3	506 68 94-01	KEY		1
5	576 59 11-01	CRANKCASE		1
6	515 38 81-01	BOLT		4
7	576 56 43-01	BOLT		4
10	576 59 16-01	GASKET		1

**L** 580BTS, 580BFS  
CRANK SHAFT

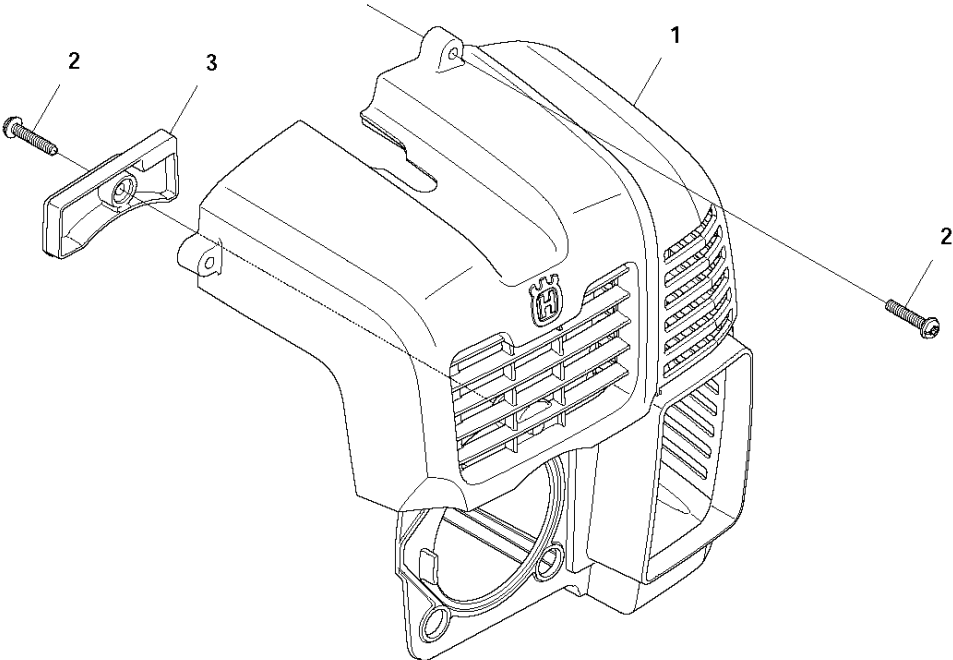


CRANKSHAFT

580 BTS, 2011-05

Ref	Part No	Description	Remark	QTY	KIT
1	578 38 51-01	BEARING SHAFT		1	
2	506 68 94-01	KEY		1	1
3	521 52 13-01	BEARING		2	1
4	521 52 19-01	SEAL		2	1
5	576 69 64-01	BEARING		1	1

**C** 580BTS, 580BFS  
CYLINDER COVER

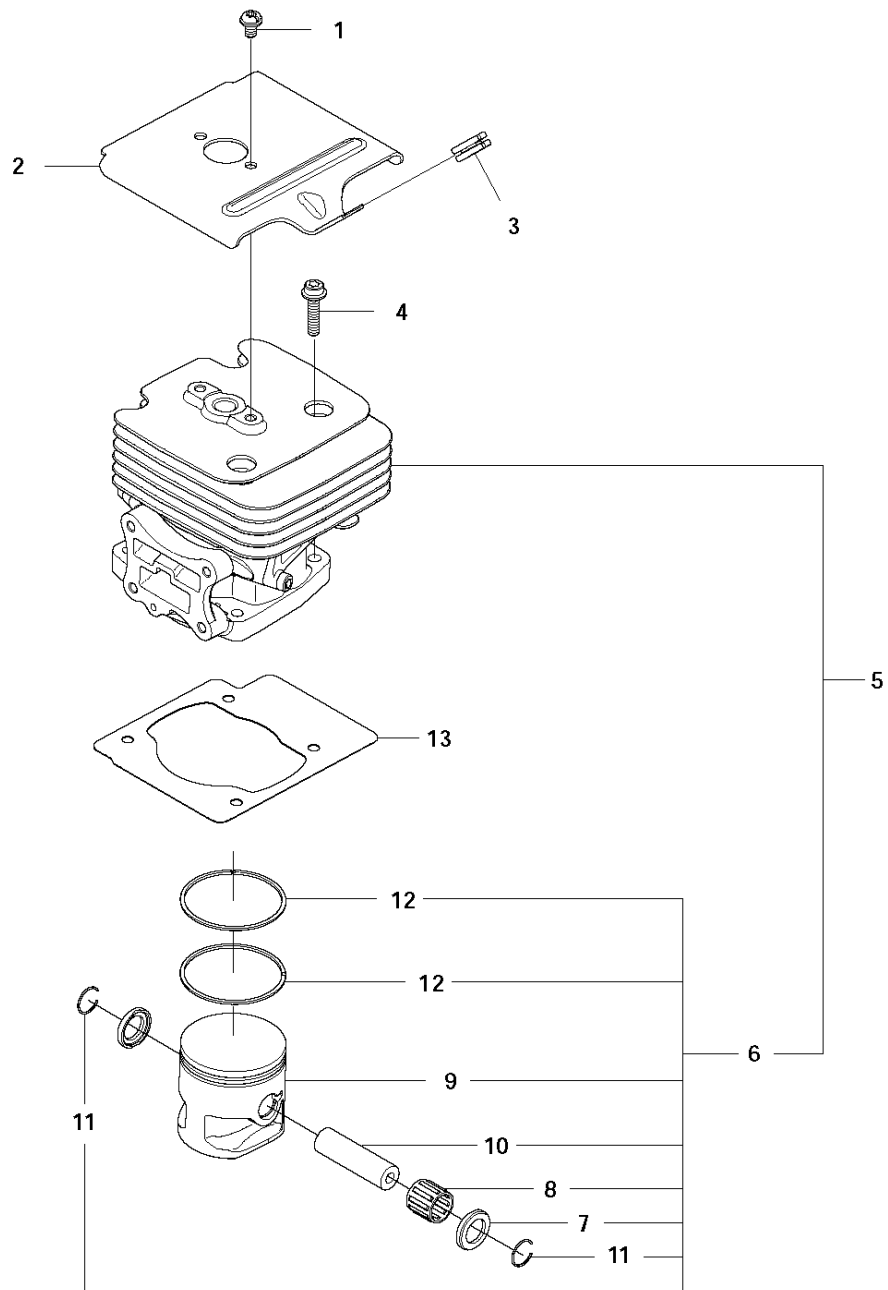


## CYLINDER COVER

580 BTS, 2011-05

Ref	Part No	Description	Remark	QTY KIT
1	576 57 85-01	ENGINE COVER		1
2	512 84 81-01	SCREW		5
3	576 57 86-01	COVER		1

**J** 580BTS, 580BFS  
CYLINDER & PISTON

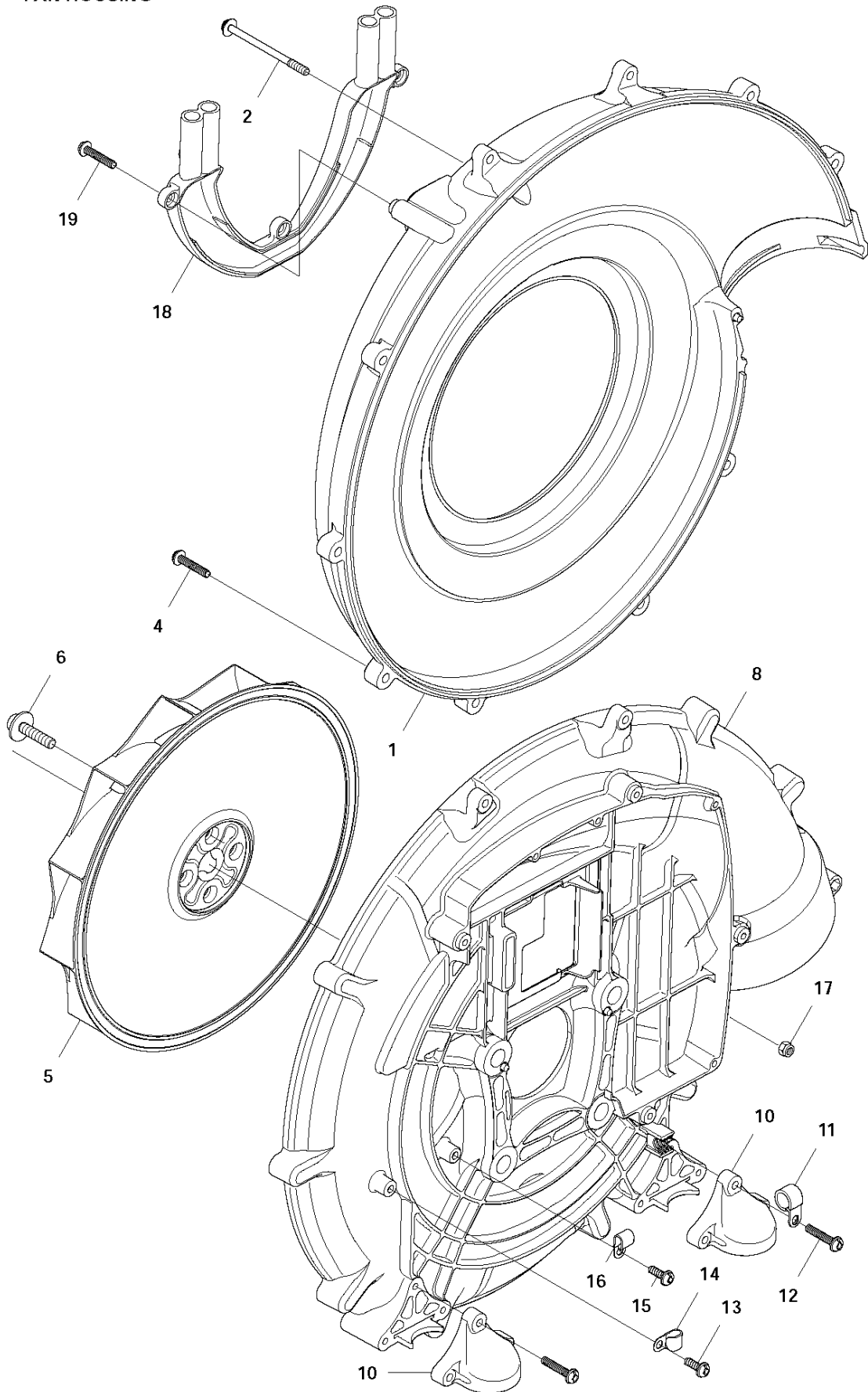


## CYLINDER PISTON

580 BTS, 2011-05

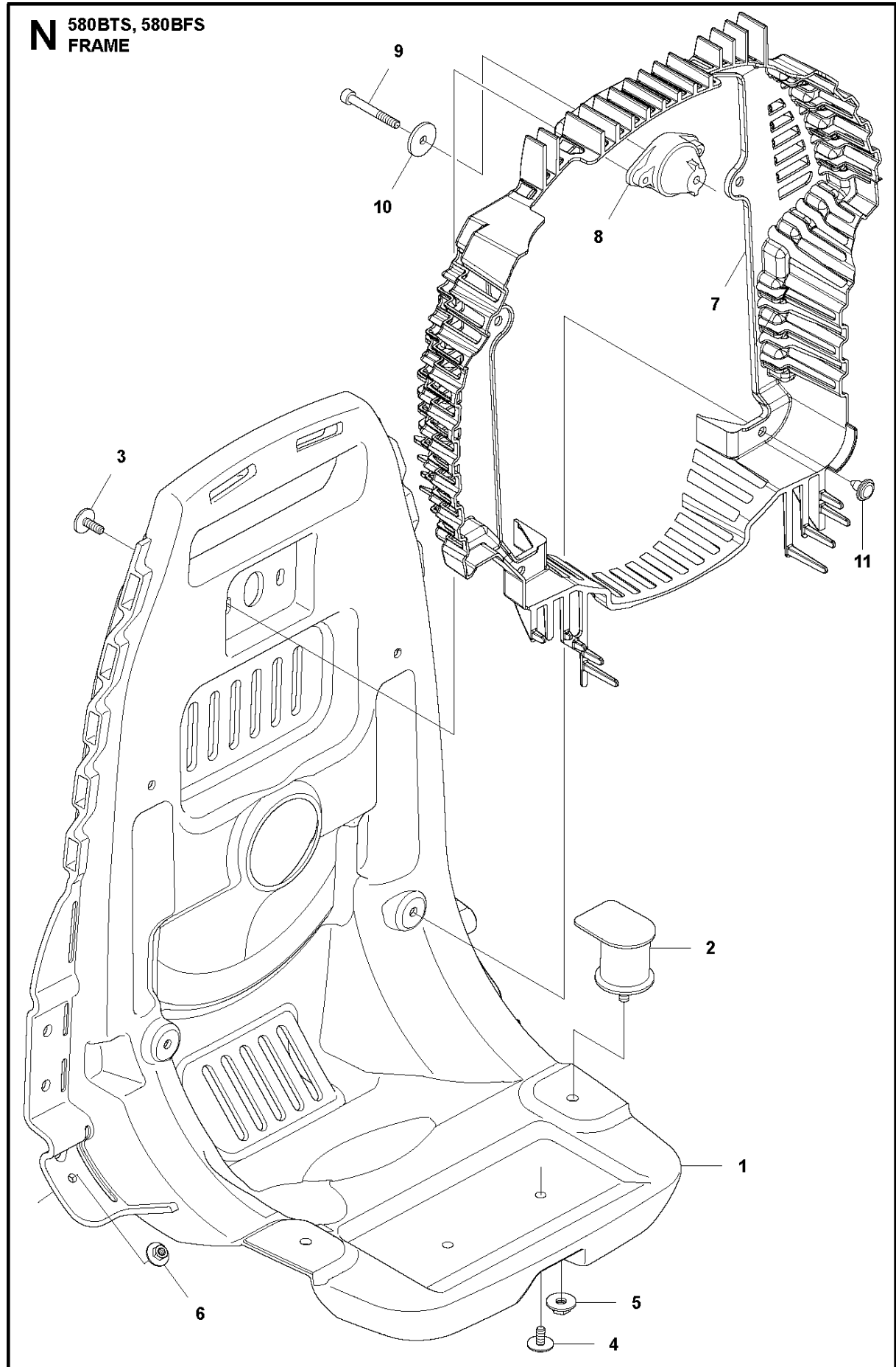
Ref	Part No	Description	Remark	QTY	KIT
1	544 25 68-01	SCREW		2	
2	576 58 95-01	PLATE		1	
3	576 58 96-01	GROMMET		1	
4	506 74 52-01	BOLT		4	
5	578 38 50-01	CYLINDER		1	
6	576 59 64-01	PISTON		1	5
7	521 52 05-01	WASHER		2	5, 6
8	576 69 64-01	BEARING		1	5, 6
9	576 59 65-01	PISTON		1	5, 6
10	576 59 68-01	PIN		1	5, 6
11	521 53 19-01	SNAP RING		2	5, 6
12	576 59 67-01	RING		2	5, 6
13	576 58 94-01	GASKET		1	

**M** 580BTS, 580BFS  
FAN HOUSING



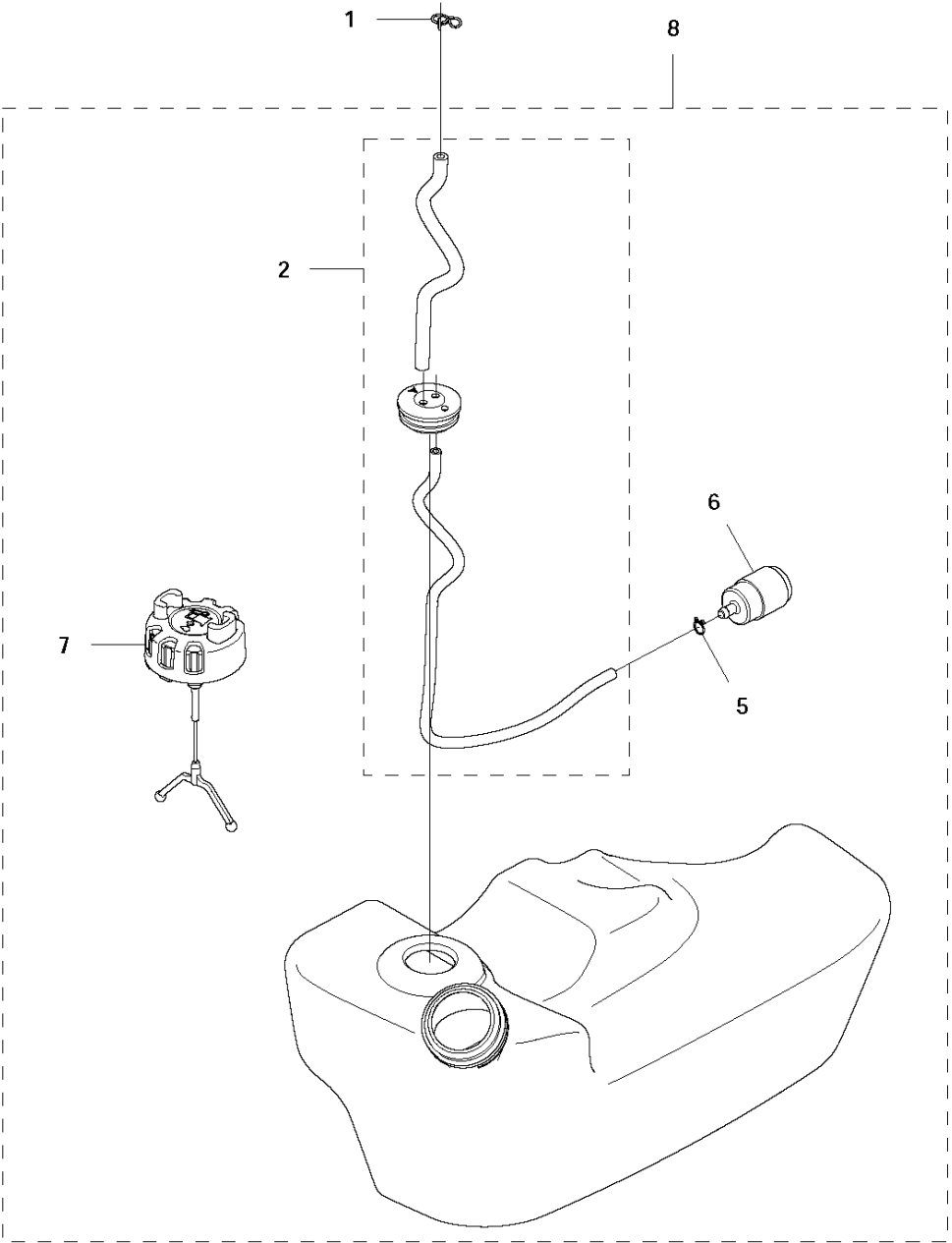


Ref	Part No	Description	Remark	QTY KIT
1	576 58 44-01	VOLUTE		1
2	544 26 46-01	SCREW		2
4	512 84 81-01	SCREW		8
5	576 56 15-01	FAN		1
6	576 56 16-01	BOLT		4
8	576 58 43-01	VOLUTE		1
10	576 57 94-01	BRACKET		2
11	504 12 23-01	CLIP	For 580BTS only	1
12	512 84 81-01	SCREW		6
13	512 84 79-01	SCREW		1
14	521 52 51-01	CLAMP		1
15	512 84 79-01	SCREW		1
16	521 52 51-01	CLAMP		1
17	514 18 39-01	NUT		2
18	576 58 45-01	COVER		1
19	512 84 81-01	SCREW		3



Ref	Part No	Description	Remark	QTY KIT
1	577 51 38-01	FRAME		1
2	576 56 22-01	DAMPER		2
3	544 27 08-01	SCREW		2
4	577 62 88-01	SCREW		2
5	513 66 75-01	NUT		2
6	505 18 26-01	NUT		2
7	579 65 94-02	NET		1
8	513 66 67-01	DAMPER		1
9	521 51 72-01	BOLT		1
10	577 35 79-01	WASHER		1
11	526 24 39-01	CLIP		4

**G** 580BTS, 580BFS  
FUEL TANK

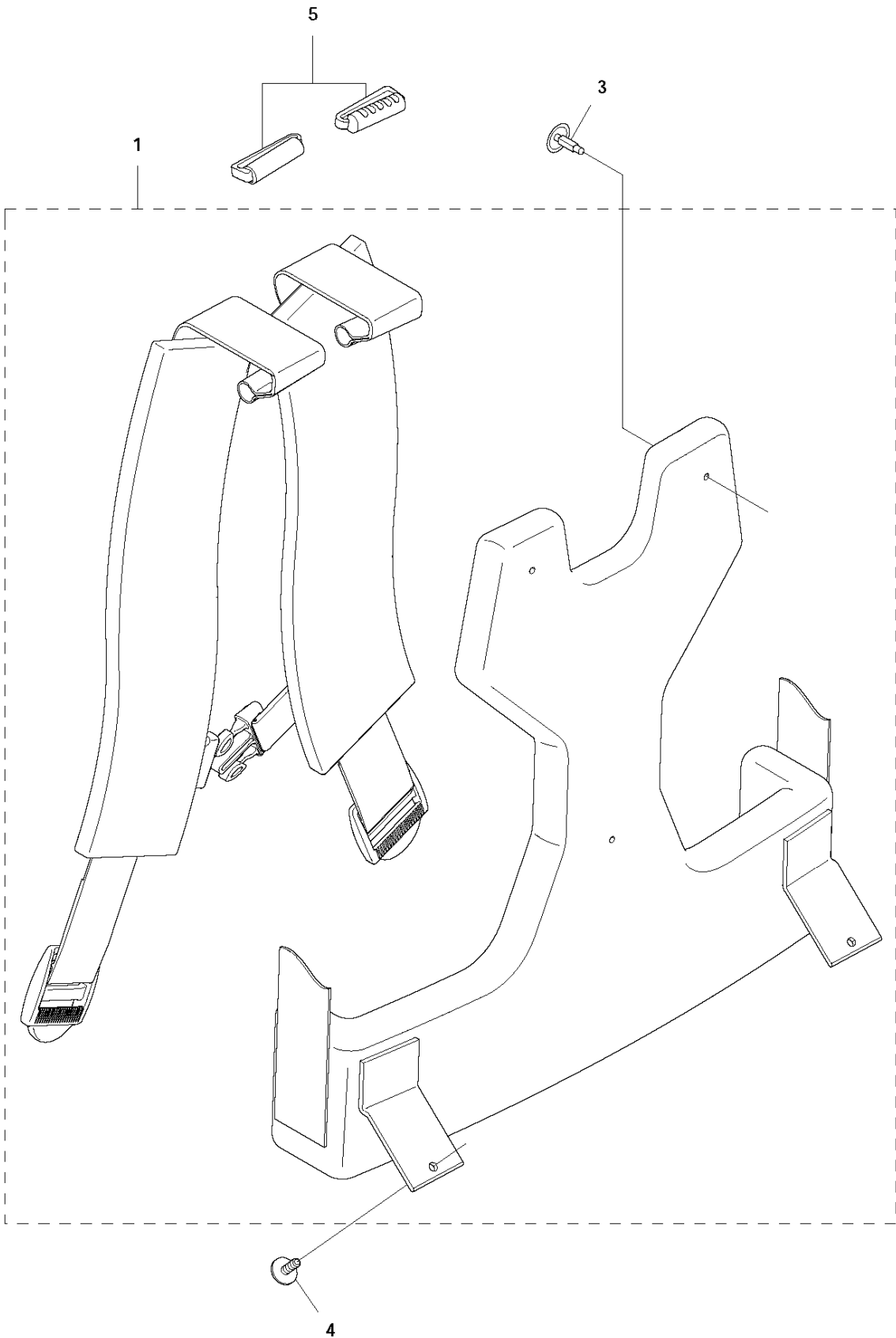


## FUEL TANK

580 BTS, 2011-05

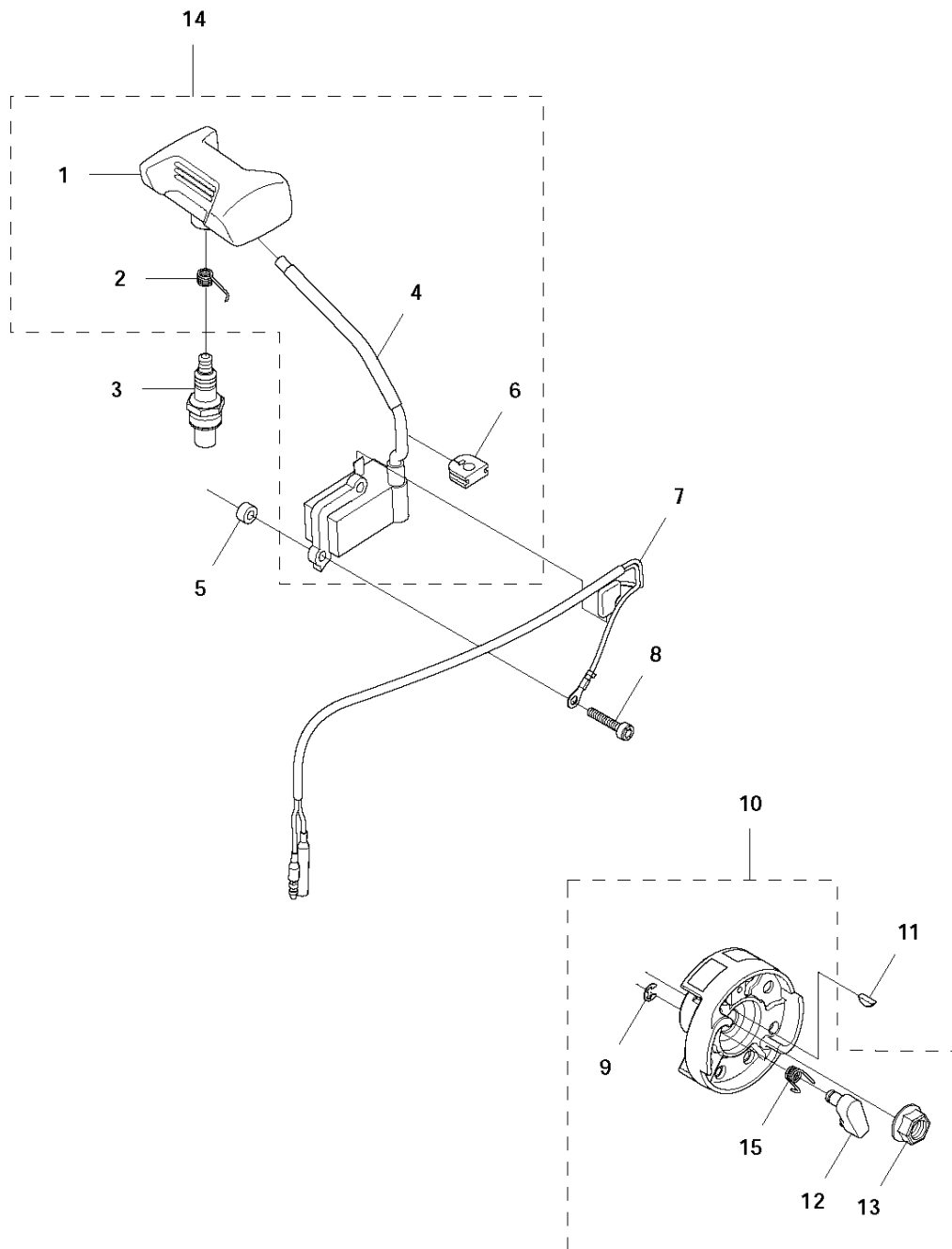
Ref	Part No	Description	Remark	QTY	KIT
1	506 74 15-01	CLIP		1	
2	579 13 83-04	HOSE ASSY		1	8
5	506 70 70-01	CLIP		1	8
6	506 74 26-01	FILTER		1	8
7	504 03 18-01	TANK CAP ASSY		1	8
8	578 31 15-01	FUEL TANK	For all except USA and Canada	1	
8	579 14 08-01	TANK ASSY	For USA and Canada	1	

**P** 580BTS, 580BFS  
HARNESS



Ref	Part No	Description	Remark	QTY KIT
1	576 62 53-01	PAD		1
3	544 27 02-01	CLIP		3
4	544 27 08-01	SCREW		2
5	544 27 00-01	CLIP		2

**H** 580BTS, 580BFS  
IGNITION SYSTEM



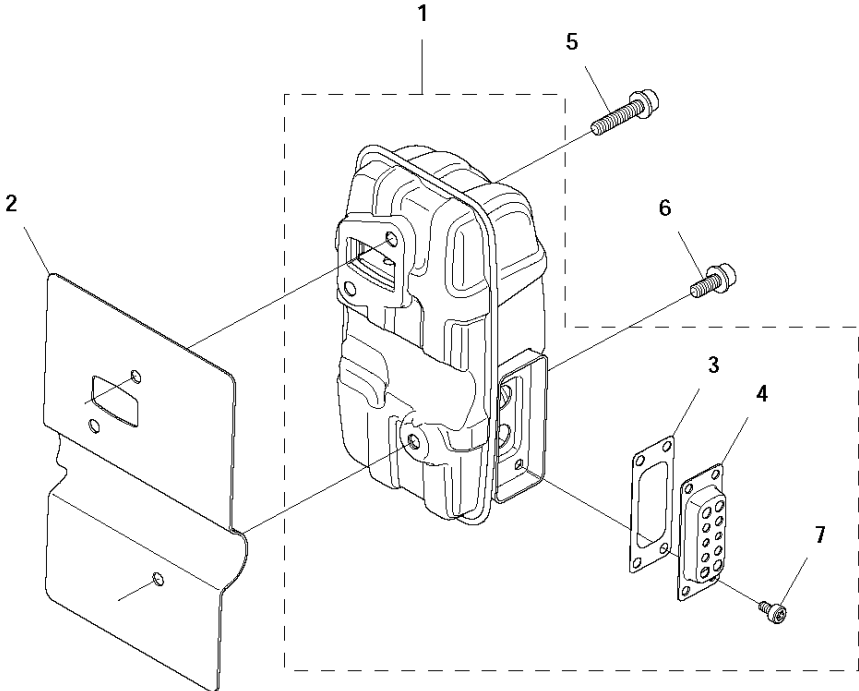


## IGNITION SYSTEM

580 BTS, 2011-05

Ref	Part No	Description	Remark	QTY	KIT
1	587 98 47-01	SPARK PLUG CAP		1	14
2	506 65 52-01	SPRING		1	14
3	521 23 34-01	SPARK PLUG		1	
4	587 65 44-01	TUBE		1	14
5	588 17 14-01	SPACER		2	
6	515 41 53-01	GROMMET		1	14
7	576 59 38-01	CORD		1	
8	579 38 30-01	BOLT		2	
9	587 65 48-01	RING		2	10
10	587 65 51-01	ROTOR		1	
11	506 68 94-01	KEY		1	
12	587 65 50-01	RATCHET		2	10
13	513 24 19-01	NUT		1	10
14	587 98 45-01	COIL		1	
15	587 65 49-01	SPRING		2	10

**F** 580BTS, 580BFS  
MUFFLER

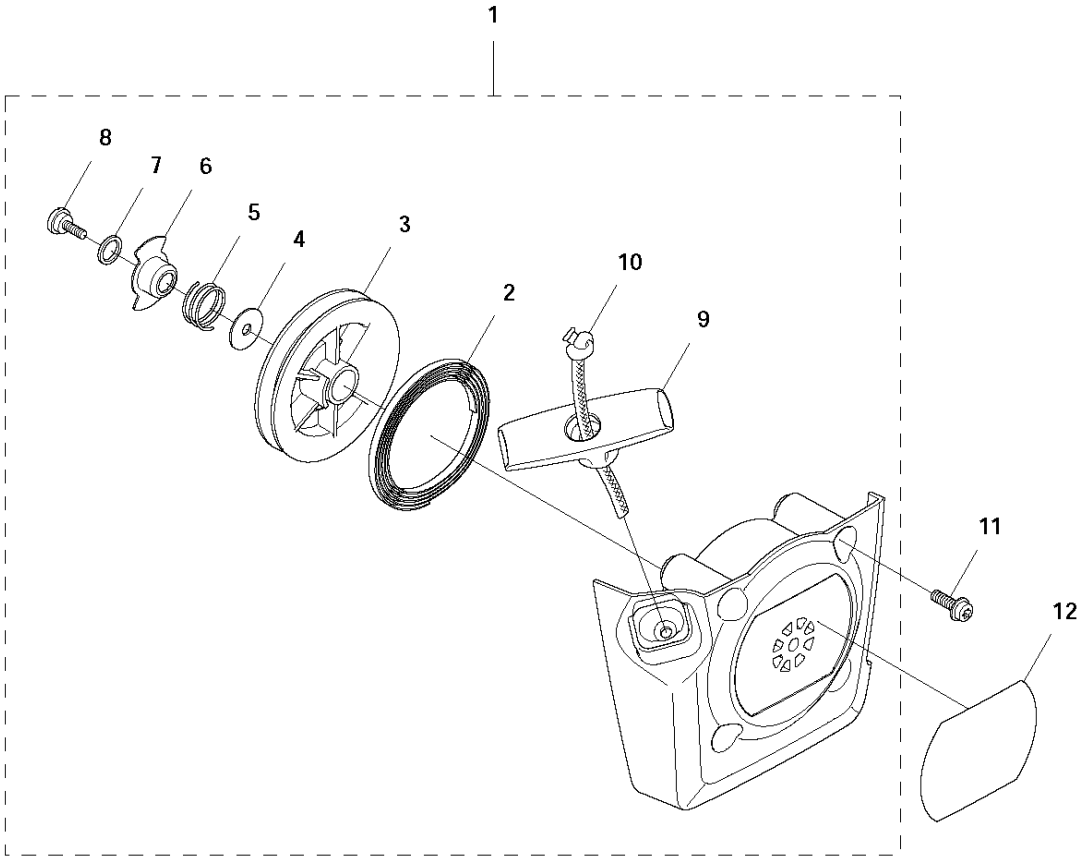


## MUFFLER

580 BTS, 2011-05

Ref	Part No	Description	Remark	QTY	KIT
1	577 95 35-01	MUFFLER ASSY		1	
2	576 59 09-01	GASKET		1	
3	576 59 05-01	SPARK ARRESTER		1	1
4	576 59 06-01	DIFFUSOR		1	1
5	576 59 07-01	BOLT		2	
6	576 59 08-01	BOLT		1	
7	544 36 27-01	BOLT		4	1

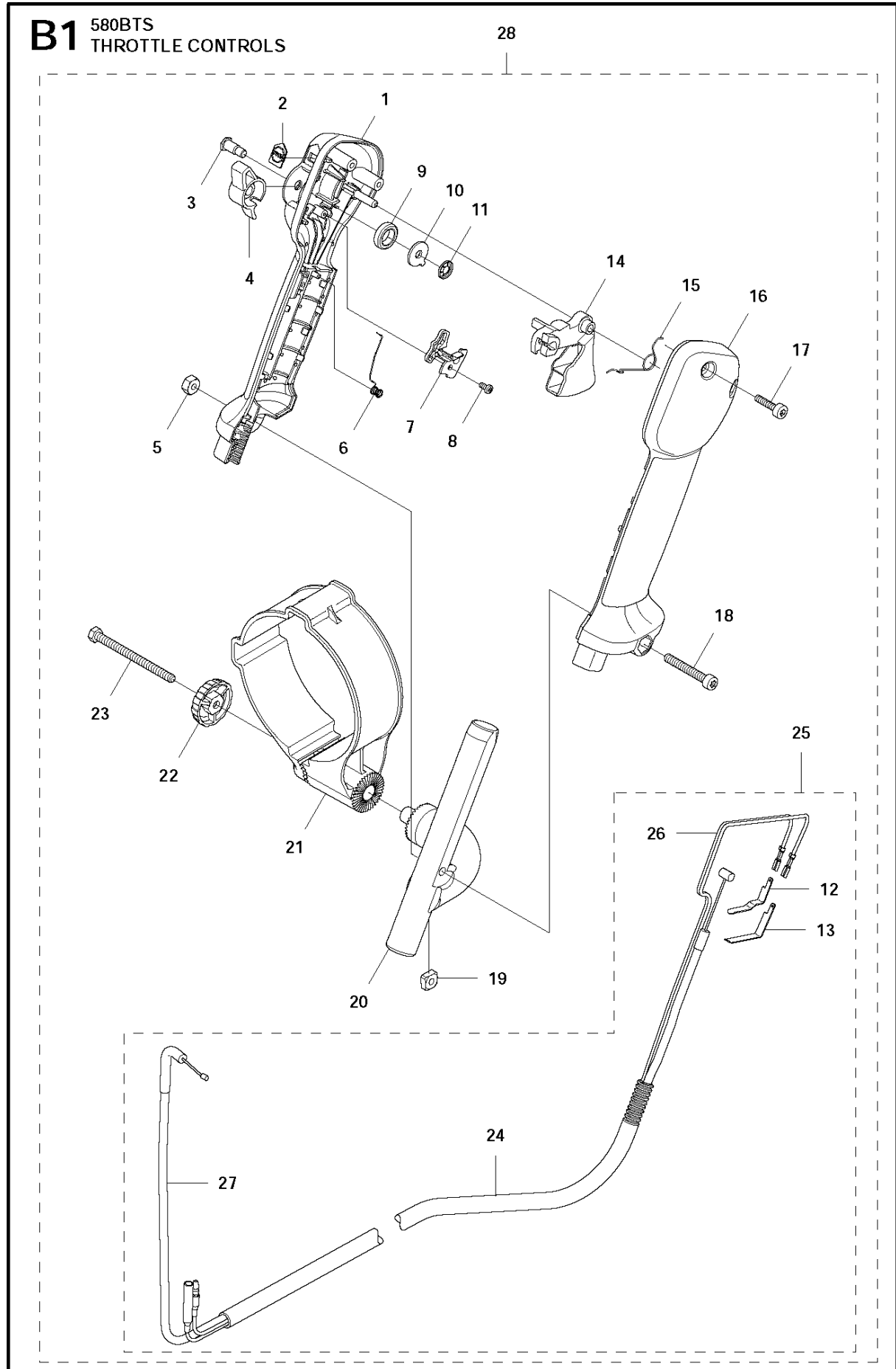
**D** 580BTS, 580BFS  
STARTER



## STARTER

580 BTS, 2011-05

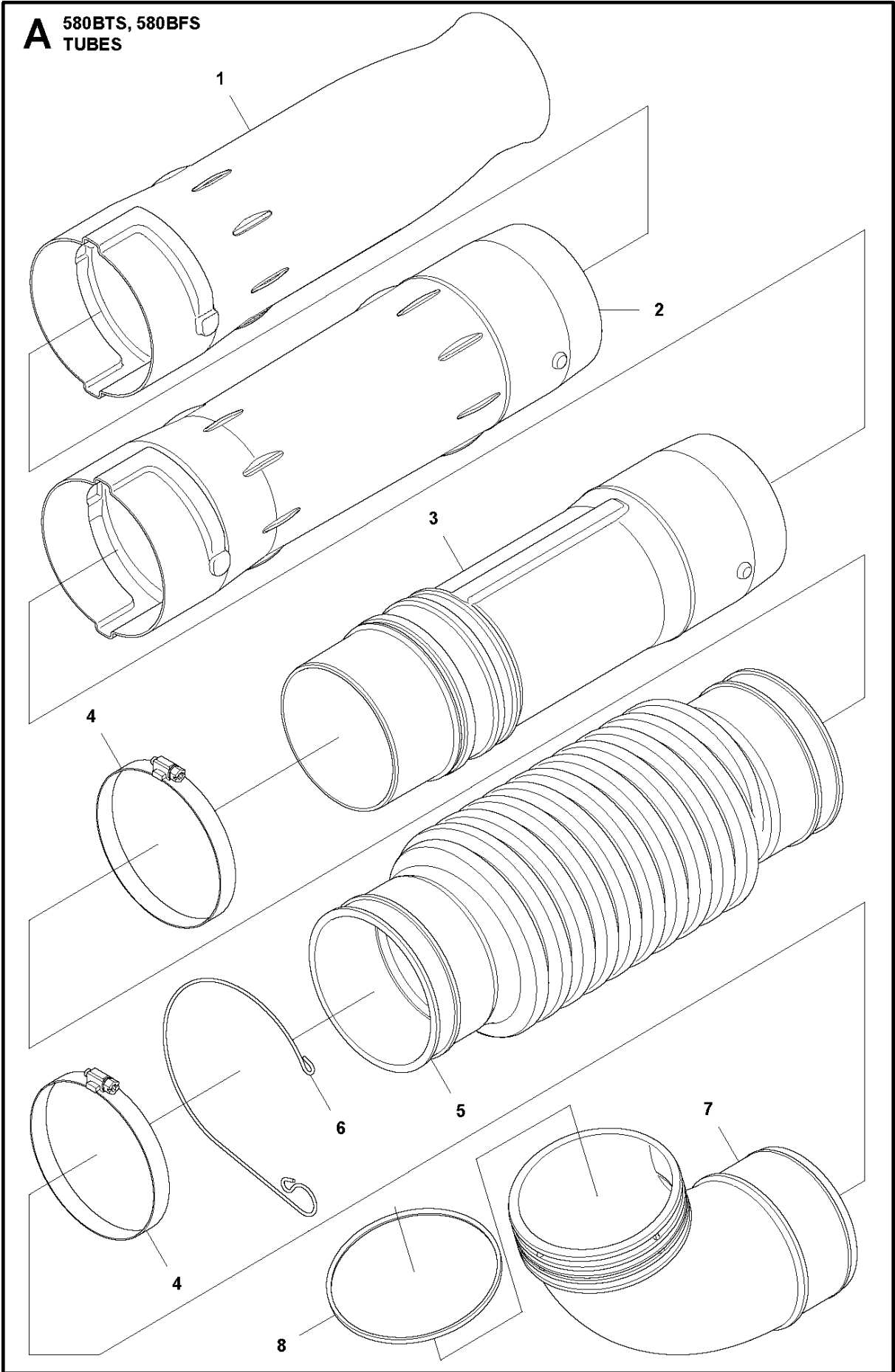
Ref	Part No	Description	Remark	QTY	KIT
1	578 28 35-01	STARTER ASSY		1	
2	521 62 96-01	SPRING		1	1
3	576 59 42-01	REEL		1	1
4	521 63 08-01	WASHER		1	1
5	521 63 06-01	SPRING		1	1
6	521 63 03-01	PLATE		1	1
7	521 63 12-01	WASHER		1	1
8	515 36 71-01	SCREW		1	1
9	537 23 25-01	STARTER HANDLE		1	1
10	577 05 31-01	ROPE		1	1
11	506 74 56-01	BOLT		4	
12	576 58 58-01	DECAL	For 580BTS	1	
12	577 51 41-01	DECAL	For 580BFS	1	



## THROTTLE CONTROLS

580 BTS, 2011-05

Ref	Part No	Description	Remark	QTY	KIT
1	502 24 48-01	HANDLE HALF		1	28
2	502 64 17-01	PLATE		1	28
3	537 14 12-03	SHAFT PIVOT		1	28
4	502 24 55-01	CONTROL		1	28
5	510 91 12-01	NUT		1	28
6	505 56 79-01	SPRING		1	28
7	502 24 60-01	RETAINER		1	28
8	502 29 10-01	COVER		1	28
9	537 37 39-01	SPRING		1	28
10	505 18 15-01	WASHER		1	28
11	735 58 35-01	WASHER		1	28
12	537 22 63-01	CONNECTOR		1	25, 28
13	537 22 62-01	CONNECTOR		1	25, 28
14	502 24 54-01	TRIGGER		1	28
15	537 17 42-01	SPRING THROTTLE TRIG		1	28
16	502 24 49-01	HANDLE HALF		1	28
17	505 29 12-01	SCREW		2	28
18	505 29 08-01	SCREW		1	28
19	503 22 65-01	SQUARE NUT		1	28
20	502 24 53-01	HOLDER		1	28
21	576 57 97-01	HANDLE HOLDER		1	28
22	504 80 03-01	TURNING KNOB		1	28
23	725 23 44-51	SCREW EHHM		1	28
24	577 75 69-01	TUBE		1	25, 28
25	576 78 56-01	WIRING ASSY		1	28
26	576 78 57-01	CORD		1	25, 28
27	576 78 58-01	CABLE		1	25, 28
28	576 57 96-01	LEVER		1	





Ref	Part No	Description	Remark	QTY KIT
1	576 58 64-01	PIPE		1
2	576 58 17-01	PIPE		1
3	576 58 14-01	JOINT		1
4	544 27 41-01	CLAMP		2
5	576 56 47-01	HOSE		1
6	502 84 28-01	CLAMP		1
7	576 57 83-01	ELBOW		1
8	581 29 08-01	O-RING		1

# Illustrated Parts List - IPL Update



Product Name(s)

580BTS/BFS

Description of change

Change Magneto and its children parts.

Comments

Serial number below for Magneto change.

Introduced from

Serial number / Date	Remark
From # 2016360001/2016-9-6	966 62 96-01 580BTS All ex US50/CA
From # /2017W10	966 62 96-03 580BTS China
From # 2016400001/2016-10-6	966 62 97-01 580BFS US50
From #2016370001/2016-9-14	966 62 96-02 580BTS US50/CA

IPL updates

Page Title	Ref. no	New part no	Name	Excl. part no.	Remark
IGNITION SYSTEM	1	587 98 47-01	SPARK PLUG CAP	576 58 32-01	
IGNITION SYSTEM	2	506 65 52-01	SPRING	513 24 33-01	
IGNITION SYSTEM	4	587 65 44-01	TUBE	576 59 37-01	
IGNITION SYSTEM	5	588 17 14-01	SPACER	521 76 97-01	
IGNITION SYSTEM	9	587 65 48-01	RING	510 49 01-01	
IGNITION SYSTEM	10	587 65 51-01	ROTOR	576 59 30-01	
IGNITION SYSTEM	12	587 65 50-01	RATCHET	576 59 32-01	
IGNITION SYSTEM	14	587 98 45-01	COIL	583 91 80-01	
IGNITION SYSTEM	15	587 65 49-01	SPRING	576 59 33-01	