

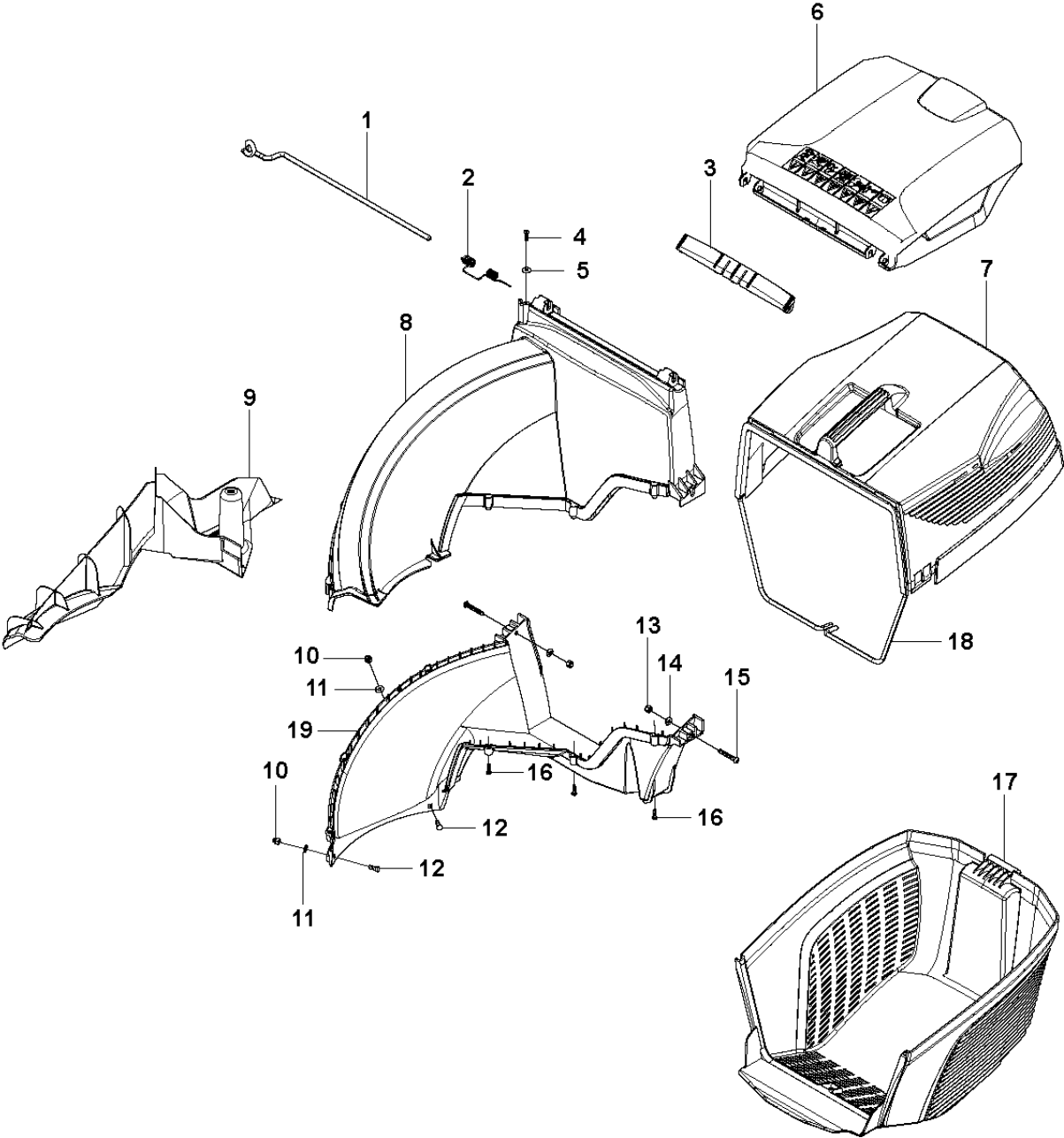


# SPARE PARTS LIST

LAWN MOWERS: CONSUMER  
WALK-BEHINDS

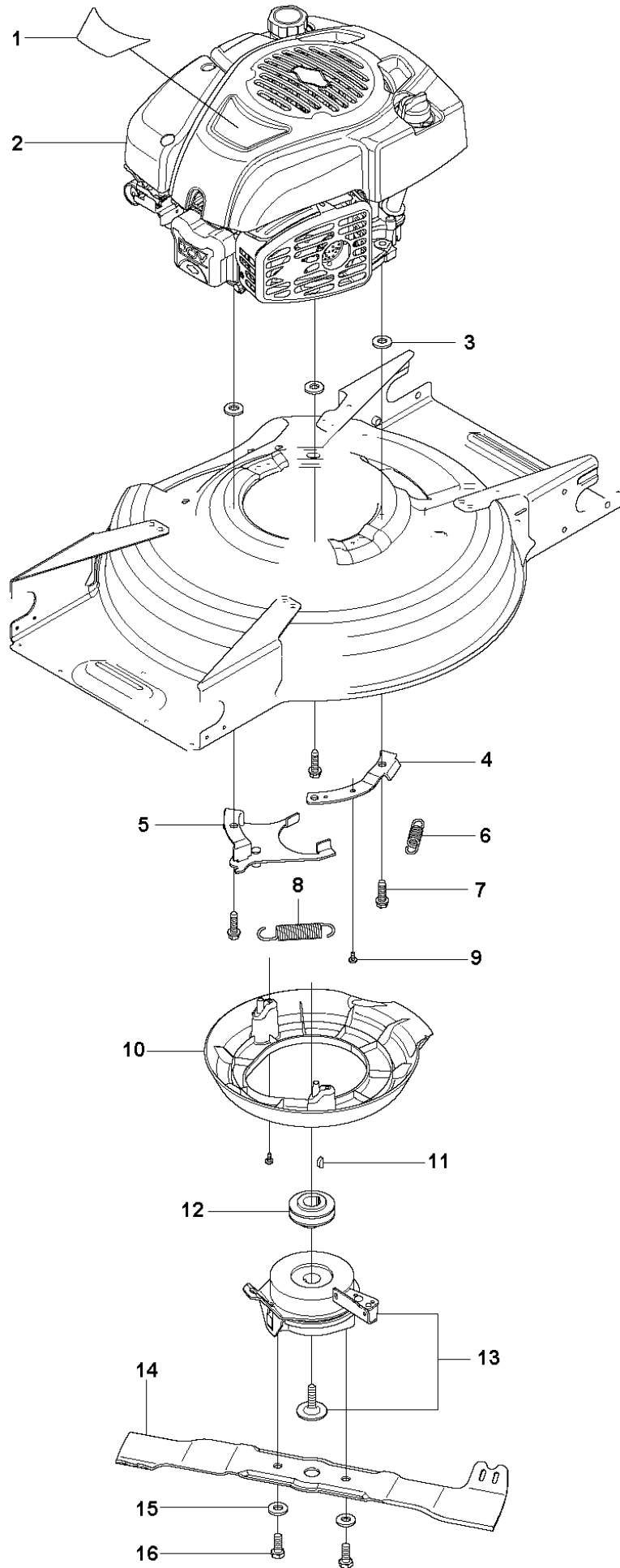
LC48 Be, 96666930100, 2011-01

**D** LC48Be  
Collect parts



Ref	Part No	Description	Remark	QTY KIT
1	502 24 59-01	AXLE		1
2	502 24 47-01	SPRING		1
3	504 59 81-01	COVER LID		1
4	502 43 53-01	SCREW ITXPANT		1
5	575 88 55-01	WASHER		1
6	501 96 77-01	HATCH		1
7	501 98 77-01	GRASSBAG		1
8	501 96 75-01	CHUTE		1
9	504 13 71-01	MULCH PLUG		1
10	502 30 50-01	CAP NUT		2
11	505 19 84-01	WASHER		2
12	505 15 61-01	SCREW		2
13	522 66 93-02	LOCKING NUT		2
14	505 19 84-01	WASHER		2
15	505 55 77-01	SCREW ITXPANTT		2
16	502 43 53-01	SCREW ITXPANT		6
17	501 98 76-01	GRASSBAG		1
18	502 44 71-01	GRASSBAG		1
19	501 96 73-01	CHUTE		1

**C** LC48Be  
Engine

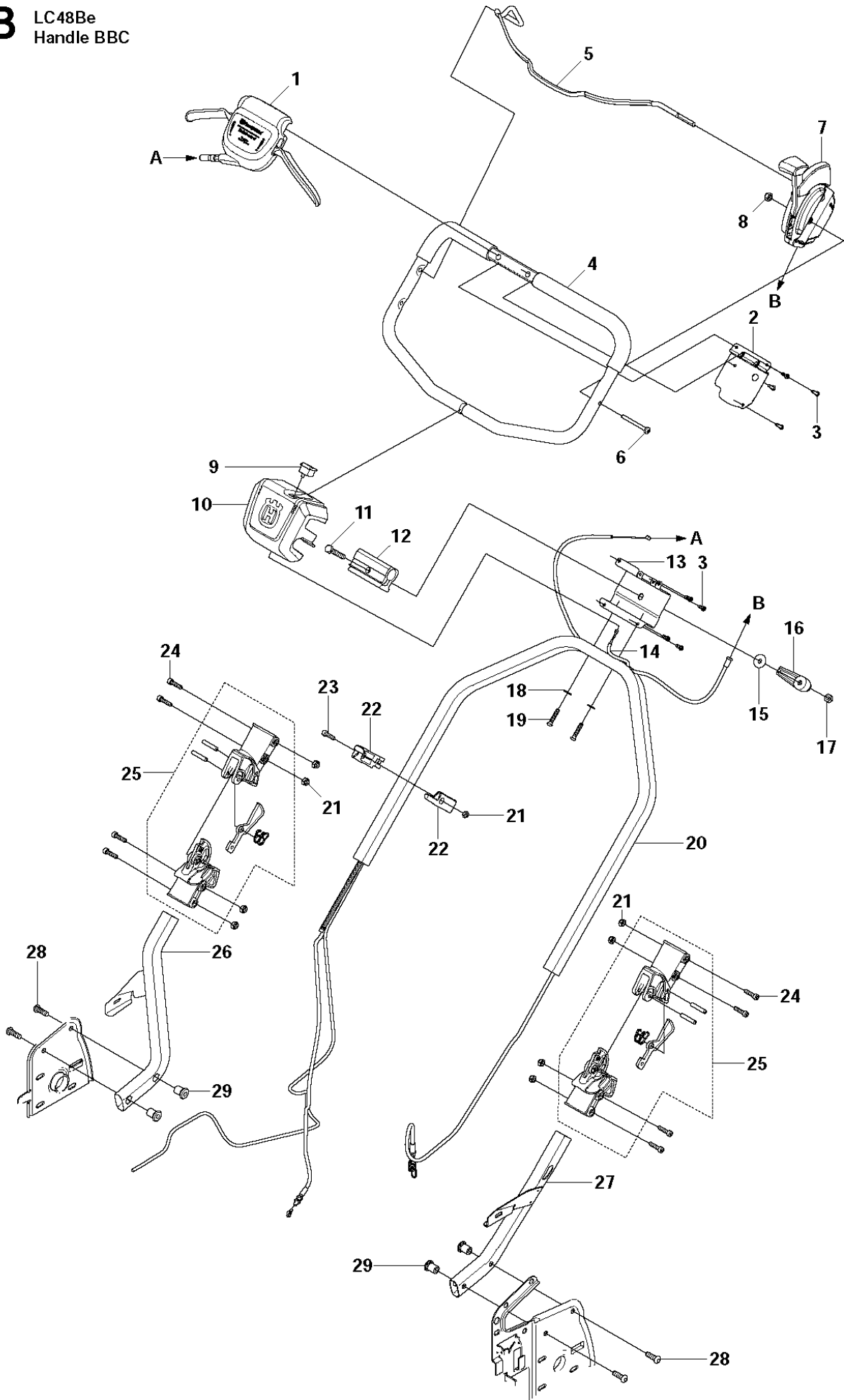


## ENGINE

LC48 Be, 96666930100, 2011-01

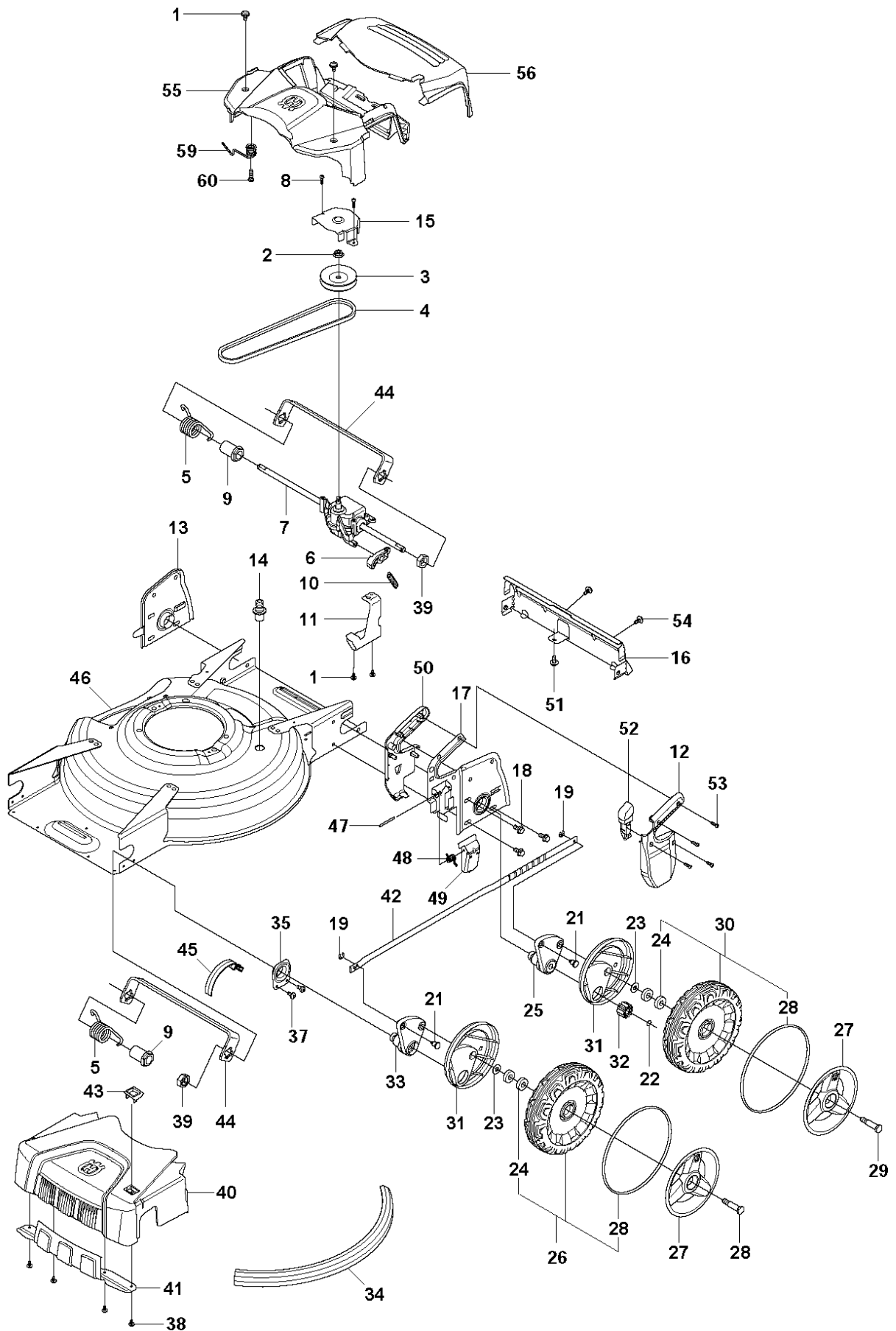
Ref	Part No	Description	Remark	QTY KIT
1	516 04 36-05	LABEL		1
2	510 43 59-01	ENGINE		1
3	575 86 63-01	WASHER		3
4	505 12 64-01	CABLE HOLDER		1
5	522 77 49-01	BRACKET ASSY		1
6	521 89 29-01	SPRING		1
7	531 21 28-51	SCREW		3
8	505 12 67-01	BRAKE SPRING		1
9	502 43 52-01	SCREW ITXPANTT		1
10	505 31 62-01	BELT COVER		1
11	531 20 49-07	KEY		1
12	525 46 43-01	PULLEY		1
13	521 89 31-01	CLUTCH		1
14	505 52 41-02	MOWER BLADE		1
15	575 74 65-01	WASHER		2
16	725 24 93-71	SCREW EHHM		2

**B** LC48Be  
Handle BBC



Ref	Part No	Description	Remark	QTY KIT
1	577 22 40-01	CONTROL		1
2	577 70 14-01	BRACKET		1
3	574 39 14-01	SCREW ITXPANT		8
4	576 92 95-01	HANDLE ASSY		1
5	577 70 13-01	BAIL ARM		1
6	502 43 51-01	SCREW ITXPANTT		1
7	577 65 62-01	CONTROL		1
8	522 66 93-02	LOCKING NUT		1
9	522 71 00-01	SWITCH		1
10	505 06 80-02	COVER		1
11	574 88 64-01	SCREW EHHM		1
12	574 56 67-01	HANDLEBAR BRACKET		1
13	505 07 06-01	SUPPORT PLATE		1
14	523 93 24-01	ELECTRIC CABLE		1
15	734 11 65-41	WASHER		1
16	574 85 27-01	KNOB		1
17	503 22 10-11	HEXAGON NUT		1
18	505 19 84-01	WASHER		2
19	525 44 88-01	SCREW ITXPANTT		2
20	505 89 60-01	HANDLE		1
21	522 66 93-02	LOCKING NUT		9
22	510 28 23-01	STARTER CORD GUIDE		2
23	725 53 70-01	SCREW IHSCM		1
24	725 53 72-01	SCREW IHSCM		8
25	574 23 07-01	HINGE ASSY		2
26	510 40 88-02	HANDLE LOWER ASSY		1
27	510 40 89-02	HANDLE LOWER ASSY		1
28	505 52 46-03	SCREW ITXPANTT		4
29	525 51 48-01	NUT		4

**A** LC48Be  
Deck





Ref	Part No	Description	Remark	QTY KIT
1	502 43 52-01	SCREW ITXPANTT		2
2	504 05 56-01	NUT FLANGE		1
3	504 05 33-01	PULLEY		1
4	501 98 66-01	BELT		1
5	522 02 46-01	SPRING		1
6	504 04 83-01	LEVER		1
7	504 04 80-01	GEAR BOX		1
8	502 43 53-01	SCREW ITXPANT		2
9	522 02 40-01	NUT		1
10	504 04 87-01	SPRING		1
11	504 04 86-01	BRACKET		1
12	505 14 39-01	COVER HALF		1
13	505 89 59-01	HANDLE SUPPORT		1
14	531 20 58-48	CONNECTOR		1
15	522 61 23-01	BELT GUIDE		1
16	504 64 15-01	SKID PLATE		1
17	505 13 04-01	HANDLE SUPPORT		1
18	506 55 83-02	SCREW EHHFT		6
19	735 31 09-21	E-CLIP		2
21	504 62 50-01	SHAFT		2
22	504 70 28-01	LOCK RING		2
23	505 22 14-01	WASHER		4
24	738 21 01-04	BALL BEARING		8
25	504 70 98-01	LINK ARM ASSY		2
26	502 49 68-01	WHEEL ASSY		2
27	544 44 39-01	HUB CAP		4
28	544 43 31-01	O-RING		4
29	574 25 94-01	SCREW		4
30	544 91 69-02	WHEEL ASSY		2
31	504 62 41-01	DUST COVER		4
32	544 34 23-01	PINION		2
33	504 70 98-02	LINK ARM ASSY		2
34	506 60 63-01	BUMPER		1
35	504 62 49-01	BRACKET		2
37	502 43 52-01	SCREW ITXPANTT		4
38	502 43 52-01	SCREW ITXPANTT		4
39	505 52 10-01	NUT		1
40	505 03 19-01	FRONT COVER		1
41	502 62 54-01	SKID PLATE		1
42	510 02 95-01	ROD		1
43	505 10 93-01	INDEX WINDOW		1
44	574 40 60-01	TRANSVERSAL ROD		2
45	504 62 76-02	INDEX SCALE		1
46	501 37 55-01	CHASSIS		1
47	505 13 05-01	PIN		1
48	505 13 09-01	SPRING		1
49	505 12 43-01	LATCH		1
50	505 14 40-01	COVER HALF		1
51	502 43 52-01	SCREW ITXPANTT		1
52	505 14 05-01	KNOB		1
53	502 43 53-01	SCREW ITXPANT		4
54	502 43 52-01	SCREW ITXPANTT		2
55	505 10 94-01	REAR COVER		1
56	505 20 21-01	HATCH		1
57	502 43 52-01	SCREW ITXPANTT		2
59	574 36 05-01	CABLE CLAMP		1
60	502 43 53-01	SCREW ITXPANT		1