

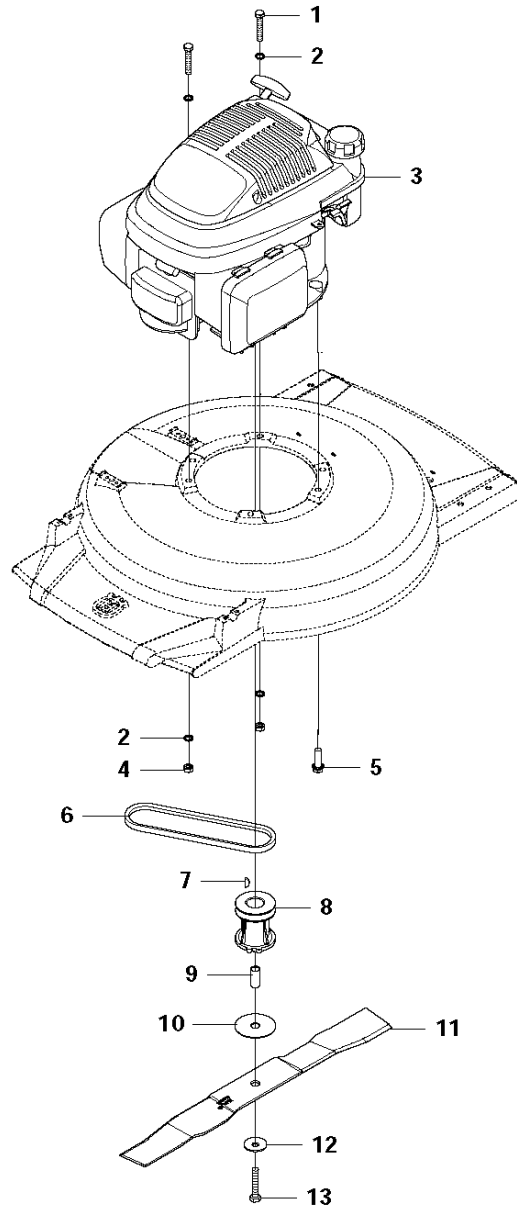


SPARE PARTS LIST

LAWN MOWERS: CONSUMER
WALK-BEHINDS

WB48 SE, 96697810204, 2012-01

D WB 48S e
ENGINE

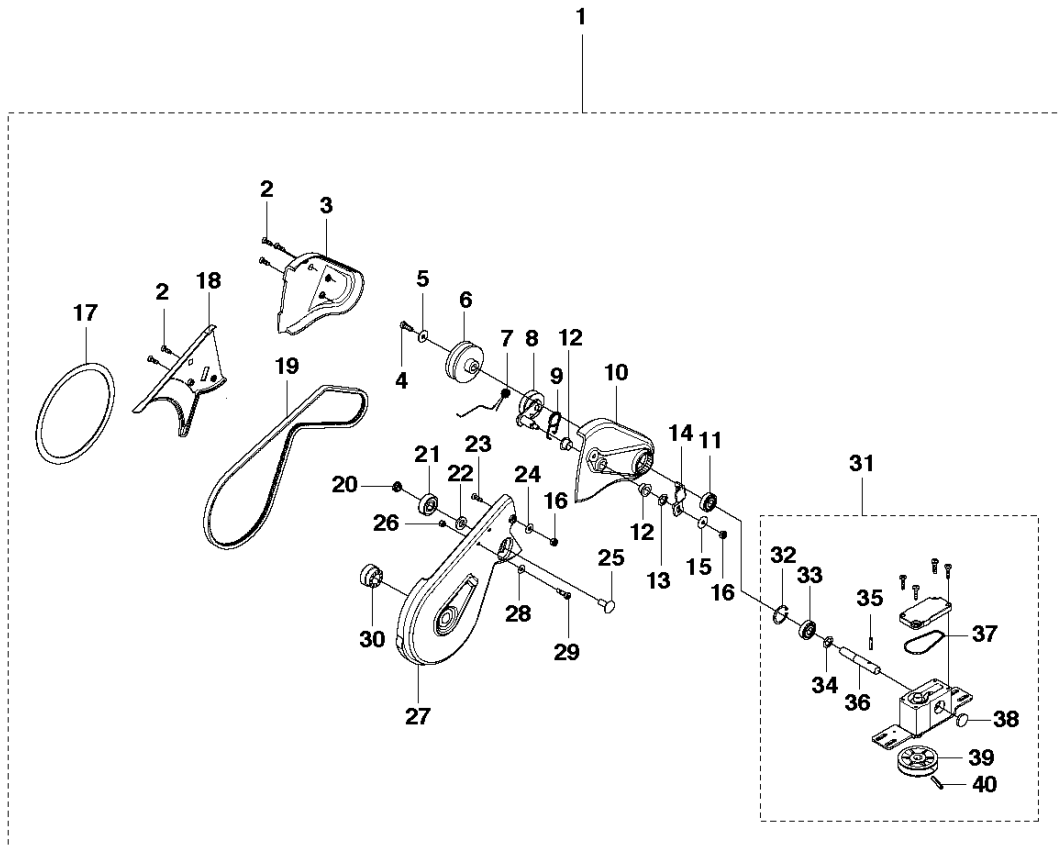


ENGINE

WB48 SE, 96697810204, 2012-01

| Ref | Part no. | Description | Remark | Qty | Kit |
|-----|--------------|-----------------|--------------------------------------|-----|-----|
| 1 | 725 24 60-71 | SCREW EHHM | | 2 | |
| 2 | 735 21 64-01 | LOCK WASHER | | 4 | |
| 3 | 000 00 00-00 | W/O DESCRIPTION | GCV 160E A4G9 SD, Honda | 1 | |
| 4 | 731 23 18-01 | HEXAGON NUT | | 2 | |
| 5 | 502 88 29-01 | SCREW | | 1 | |
| 6 | 502 94 53-01 | V-BELT | Kit: 5254800-01 (Belt with shell) | 1 | |
| 7 | 504 46 05-01 | WOODRUF KEY | | 1 | |
| 8 | 502 87 22-01 | BLADE SUPPORT | | 1 | |
| 9 | 503 26 10-01 | BLADE BUSHING | | 1 | |
| 10 | 503 25 94-01 | WASHER | | 1 | |
| 11 | 502 88 13-01 | MOWER BLADE | | 1 | |
| 12 | 503 33 25-01 | SPRING | | 1 | |
| 13 | 504 45 64-02 | SCREW EHHU | | 1 | |
| 14 | 577 67 03-01 | DECAL | | 1 | |

B WB 48S e, AUS/NZ
GEAR

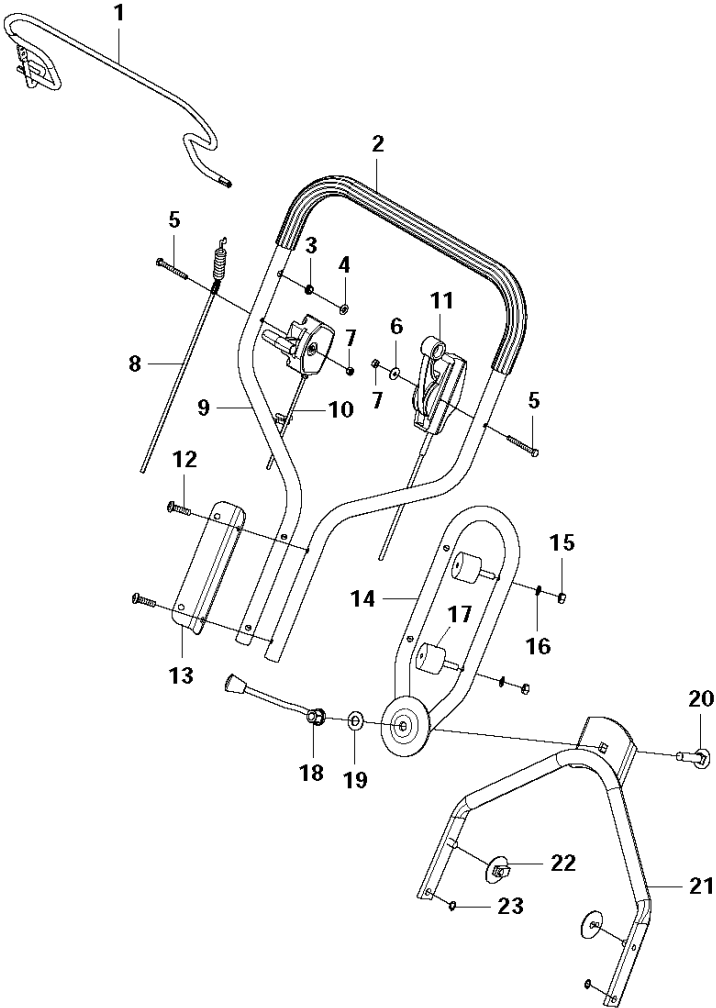


GEARS

WB48 SE, 96697810204, 2012-01

| Ref | Part no. | Description | Remark | Qty | Kit |
|-----|--------------|---------------------|-----------------------------------|-----|-------|
| 1 | 578 26 66-02 | GEAR BOX ASSY | | | |
| 2 | 578 97 60-01 | SCREW ITXPANTT | | 5 | 1 |
| 3 | 578 26 55-02 | COVER | | 1 | 1 |
| 4 | 504 45 67-01 | SCREW IHSCM | | 1 | 1 |
| 5 | 504 45 99-01 | WASHER | | 1 | 1 |
| 6 | 578 77 11-01 | PULLEY | | 1 | 1 |
| 7 | 502 88 03-01 | SPRING | | 1 | 1 |
| 8 | 503 32 32-01 | PULLEY ASSY | | 1 | 1 |
| 9 | 503 32 66-01 | SPRING | | 1 | 1 |
| 10 | 578 26 53-02 | HOUSING | | 1 | 1 |
| 11 | 503 24 29-01 | BALL BEARING | 6201-2RS | 1 | 1 |
| 12 | 503 27 71-01 | BUSHING | | 2 | 1 |
| 13 | 504 46 08-01 | WASHER | | 1 | 1 |
| 14 | 578 89 81-01 | FOLDER | | 1 | 1 |
| 15 | 734 18 13-51 | WASHER | | 1 | 1 |
| 16 | 732 25 16-01 | HEXAGON LOCKING NUT | | 2 | 1 |
| 17 | 578 26 56-01 | SEALING RING | | 1 | 1 |
| 18 | 578 26 54-02 | COVER | | 1 | 1 |
| 19 | 580 79 40-01 | V-BELT | Kit: 5254799-01 (Belt with shell) | 1 | 1 |
| 20 | 503 31 76-01 | BARREL NUT | | 1 | 1 |
| 21 | 738 22 01-19 | BALL BEARING | 6201-2RS1 | 1 | 1 |
| 22 | 504 46 06-01 | WASHER | | 1 | 1 |
| 23 | 725 63 69-51 | SCREW IHCSFM | | 1 | 1 |
| 24 | 503 32 40-01 | SPRING | | 1 | 1 |
| 25 | 727 64 51-51 | SCREW RSQM | | 1 | 1 |
| 26 | 732 25 14-01 | HEXAGON LOCKING NUT | | 1 | 1 |
| 27 | 578 26 52-02 | HOUSING | | 1 | 1 |
| 28 | 504 45 60-01 | WASHER, 5X13X1 | | 1 | 1 |
| 29 | 504 46 19-01 | SCREW IHSCM | | 1 | 1 |
| 30 | 503 32 44-01 | BUSHING | | 1 | 1 |
| 31 | 503 32 81-02 | WORM GEAR ASSY | | 1 | 1 |
| 32 | 505 15 02-01 | CIRCLIP | | 1 | 1, 31 |
| 33 | 503 31 18-01 | BALL BEARING | | 1 | 1, 31 |
| 34 | 503 33 03-01 | O-RING | | 1 | 1, 31 |
| 35 | 504 45 54-01 | SPRING PIN | | 1 | 1, 31 |
| 36 | 503 33 02-01 | SHAFT | | 1 | 1, 31 |
| 37 | 503 33 05-01 | GASKET | | 1 | 1, 31 |
| 38 | 503 33 04-01 | PLUG | | 1 | 1, 31 |
| 39 | 503 33 01-01 | PULLEY | | 1 | 1, 31 |
| 40 | 504 45 55-01 | SPRING PIN | | 1 | 1, 31 |

C WB 48S e
HANDLE

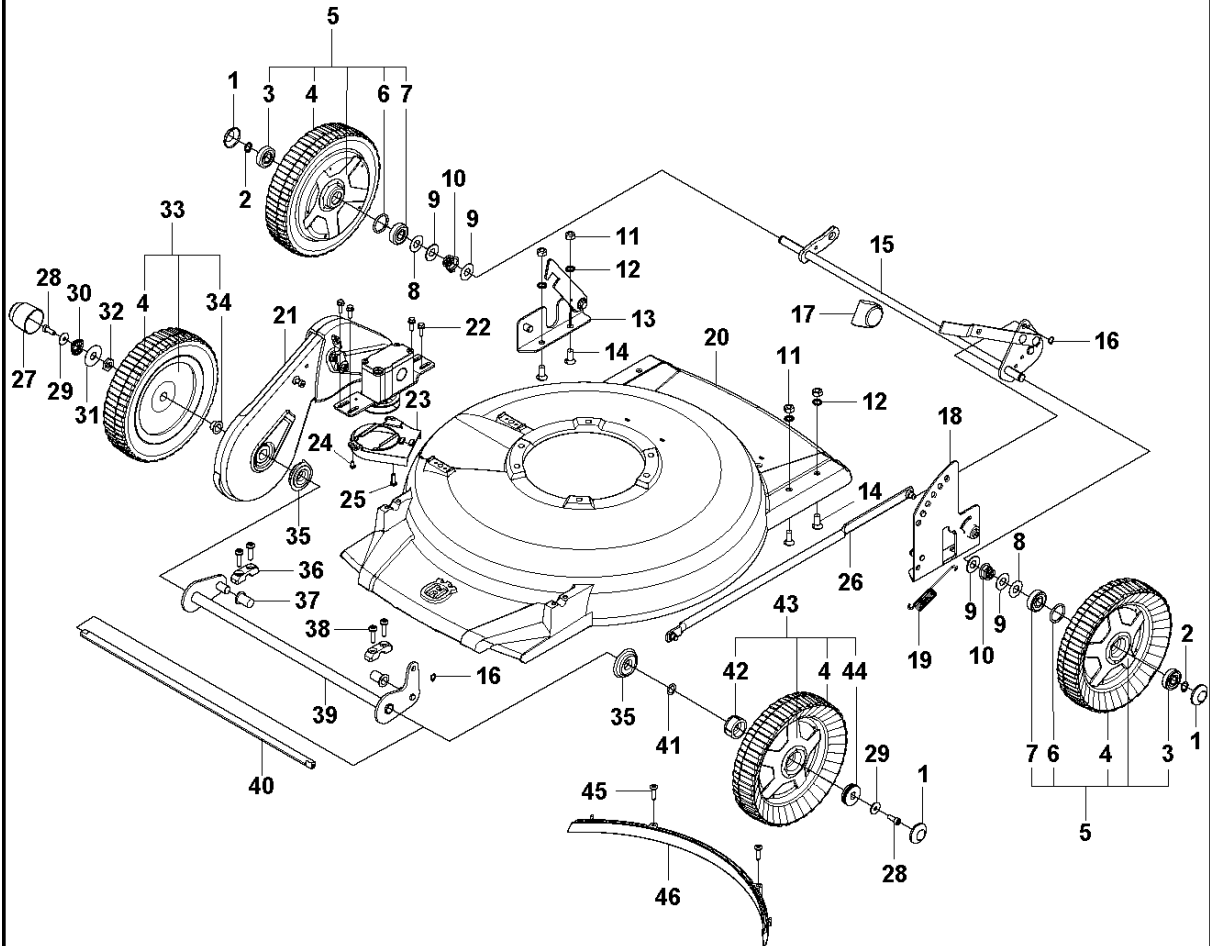


HANDLE

WB48 SE, 96697810204, 2012-01

| Ref | Part no. | Description | Remark | Qty | Kit |
|-----|--------------|----------------------|--------|-----|-----|
| 1 | 503 31 11-02 | BAIL ARM ASSY | | 1 | |
| 2 | 576 64 19-01 | HANDLE GRIP | | 1 | |
| 3 | 503 32 09-01 | BUSHING | | 1 | |
| 4 | 734 18 20-51 | WASHER | | 1 | |
| 5 | 725 23 81-51 | SCREW EHHM | | 2 | |
| 6 | 504 45 99-01 | WASHER | | 1 | |
| 7 | 732 25 16-01 | HEXAGON LOCKING NUT | | 2 | |
| 8 | 503 31 12-01 | CABLE | | 1 | |
| 9 | 502 90 64-02 | HANDLE ASSY | | 1 | |
| 10 | 503 31 30-01 | THROTTLE CONTROL | | 1 | |
| 11 | 579 14 37-01 | CONTROL | | 1 | |
| 12 | 504 46 15-01 | SCREW CRPANM | | 4 | 15 |
| 13 | 503 31 17-02 | PLATE | | 1 | |
| 14 | 502 90 35-02 | HANDLE ASSY | | 1 | |
| 15 | 731 23 18-01 | HEXAGON NUT | | 4 | |
| 16 | 735 21 64-01 | LOCK WASHER | | 4 | |
| 17 | 503 31 25-01 | ANTI-VIBRATION MOUNT | | 4 | |
| 18 | 503 29 83-01 | LEVER ASSY | | 1 | |
| 19 | 504 45 73-01 | WASHER | | 1 | |
| 20 | 727 65 43-51 | SCREW RSQM | | 1 | 21 |
| 21 | 503 28 43-02 | HANDLE ASSY | | 1 | |
| 22 | 504 46 45-02 | ADJUSTING WHEEL | | 2 | |
| 23 | 735 31 12-00 | CIRCLIP | | 2 | |

A WB 48S e
DECK



| Ref | Part no. | Description | Remark | Qty | Kit |
|-----|--------------|---------------------|-------------|-----|-----------|
| 1 | 503 27 51-01 | HUB CAP | | 3 | |
| 2 | 504 45 83-01 | CIRCLIP | | 2 | |
| 3 | 502 88 27-01 | BALL BEARING | 6201-2RS/B9 | 2 | 5 |
| 4 | 510 10 96-01 | TYRE | | 4 | 5, 33, 43 |
| 5 | 503 27 54-02 | WHEEL ASSY | | 2 | |
| 6 | 504 46 18-01 | SPACER RING | | 2 | 5 |
| 7 | 503 24 29-01 | BALL BEARING | 6201-2RS | 2 | 5 |
| 8 | 504 45 76-01 | WASHER | | 2 | |
| 9 | 504 45 73-01 | WASHER | | 4 | |
| 10 | 503 33 30-01 | SPRING | | 2 | |
| 11 | 731 23 18-01 | HEXAGON NUT | | 4 | |
| 12 | 735 21 64-01 | LOCK WASHER | | 4 | |
| 13 | 503 26 58-02 | HANDLE SUPPORT ASSY | | 1 | |
| 14 | 504 45 70-01 | SCREW SLCSFM | | 4 | |
| 15 | 503 25 80-01 | REAR AXLE ASSY | | 1 | |
| 16 | 735 31 10-00 | CIRCLIP | | 2 | |
| 17 | 504 46 47-01 | KNOB | | 1 | |
| 18 | 503 24 90-02 | INDEX PLATE ASSY | | 1 | |
| 19 | 503 25 76-01 | SPRING | | 1 | |
| 20 | 505 43 87-02 | CHASSIS | | 1 | |
| 21 | 578 26 66-02 | GEAR BOX ASSY | | 1 | |
| 22 | 725 23 29-61 | SCREW EHHFT | | 4 | |
| 23 | 522 54 63-01 | BELT GUARD | | 1 | |
| 24 | 522 63 56-01 | SCREW ITXPANM | | 1 | |
| 25 | 504 46 70-01 | SCREW ITXPANM | | 1 | |
| 26 | 503 24 95-02 | ROD ASSY | | 1 | |
| 27 | 504 46 51-01 | HUB CAP | | 1 | |
| 28 | 504 45 67-01 | SCREW IHSCM | | 2 | |
| 29 | 504 45 99-01 | WASHER | | 2 | |
| 30 | 503 33 23-01 | SPRING | | 1 | |
| 31 | 504 46 09-01 | WASHER | | 1 | |
| 32 | 504 46 13-01 | DRIVER | | 1 | |
| 33 | 503 31 74-02 | WHEEL ASSY | | 1 | |
| 34 | 503 27 71-01 | BUSHING | | 1 | |
| 35 | 504 46 36-01 | BUSHING | | 2 | |
| 36 | 504 46 38-02 | BRACKET | | 2 | |
| 37 | 502 89 81-02 | CASING | | 2 | |
| 38 | 504 45 71-01 | SCREW ITXPANM | | 4 | |
| 39 | 503 26 92-01 | FRONT AXLE | | 1 | |
| 40 | 502 87 38-01 | DRIVE SHAFT | | 1 | |
| 41 | 504 45 98-01 | WASHER | | 1 | |
| 42 | 503 27 64-01 | BUSHING | | 1 | |
| 43 | 503 27 55-02 | WHEEL ASSY | | 1 | |
| 44 | 503 27 62-01 | BUSHING | | 1 | |
| 45 | 504 45 65-01 | SCREW ITXPANT | | 2 | |
| 46 | 503 24 30-01 | MULCH WALL | | 1 | |
| 47 | 502 88 40-01 | WARNING DECAL | | 1 | |
| 48 | 520 29 05-07 | LABEL | | 1 | |