

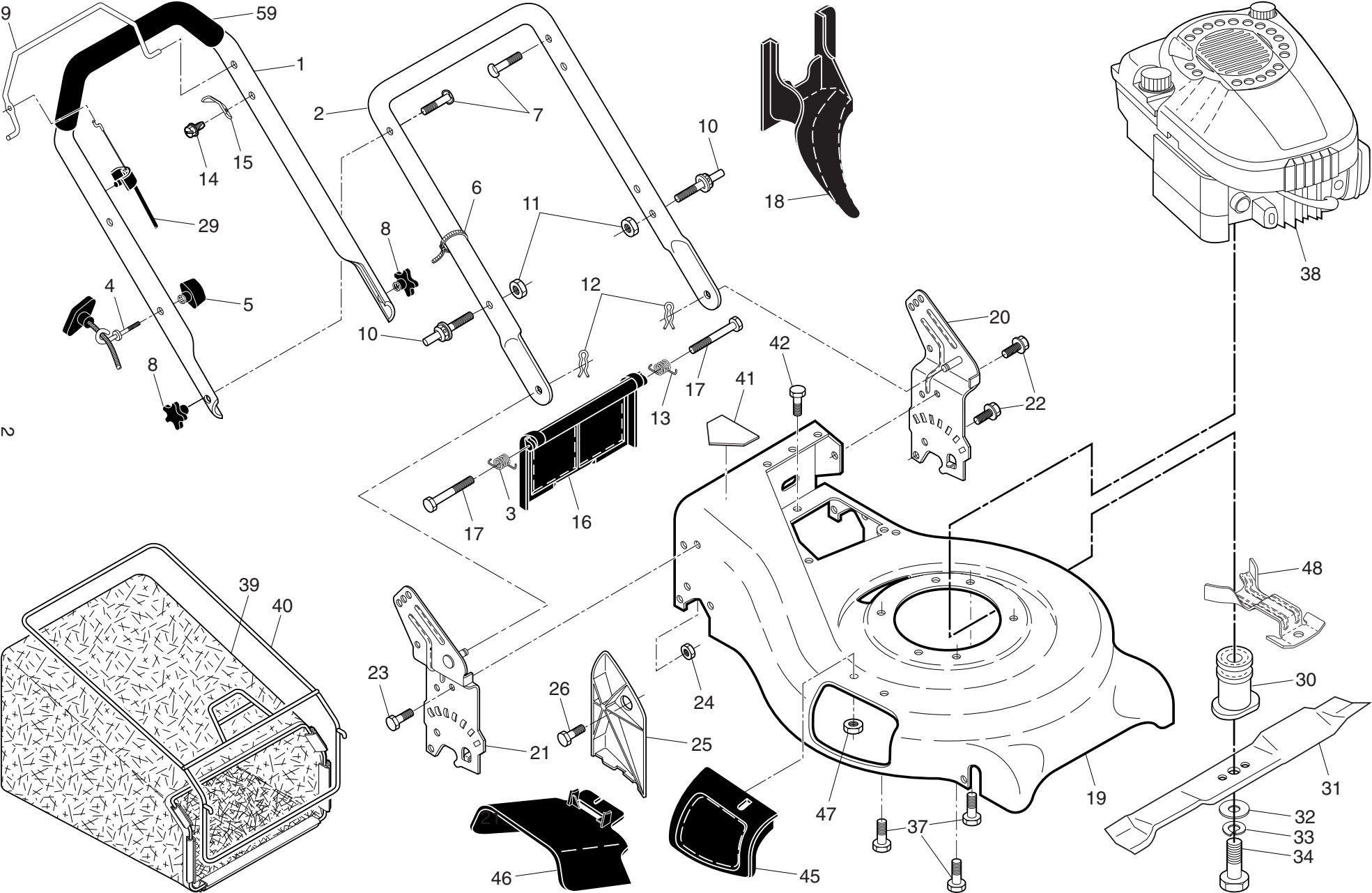
ILLUSTRATED PARTS LIST

MODEL NUMBER LC 153S

PRODUCT NUMBER 961 41 02-90

MFG. ID. NUMBER 96141029000

HUSQVARNA ROTARY LAWN MOWER - MODEL NUMBER LC 153S (96141029000) PRODUCT NO. 961 41 02-90



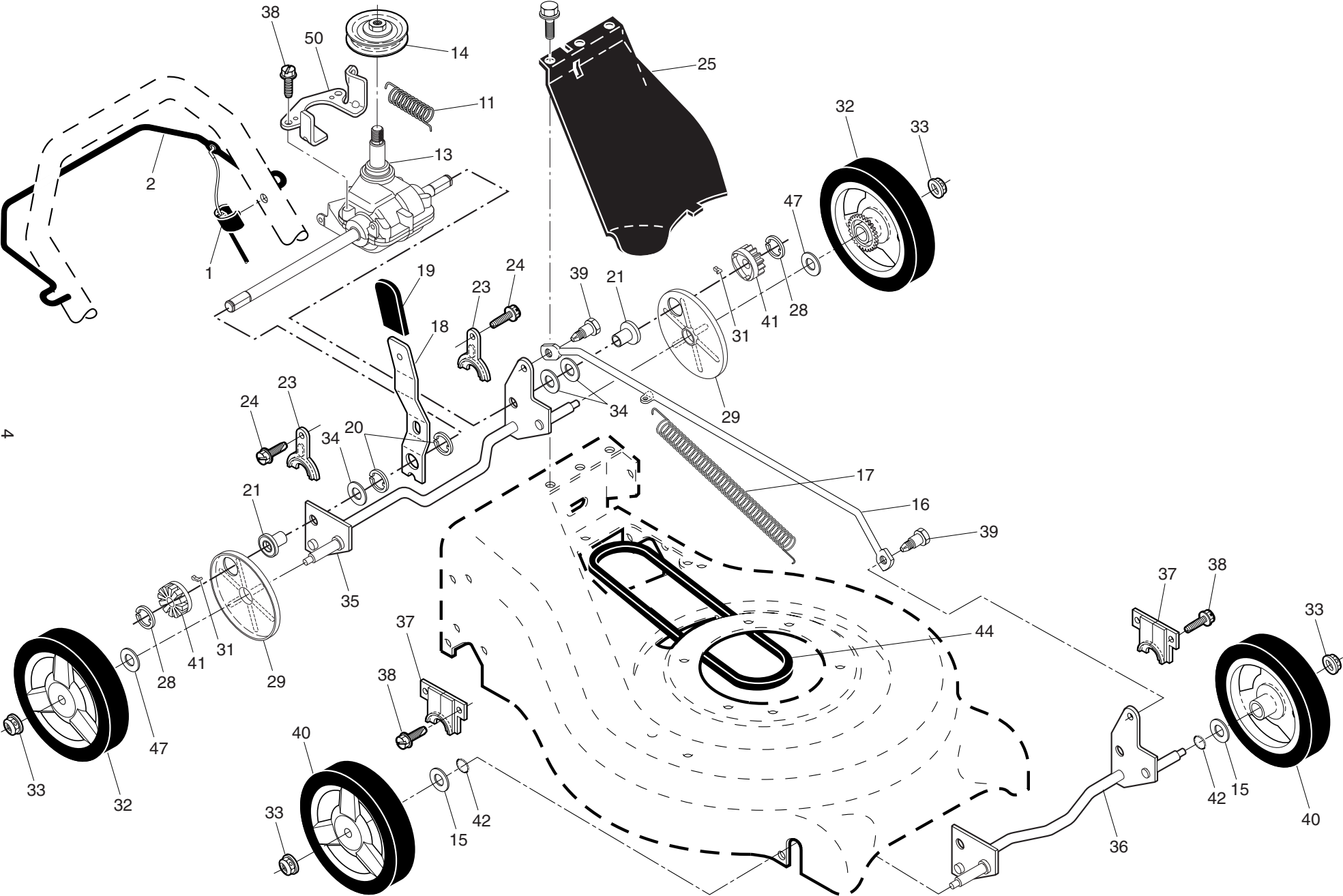
HUSQVARNA ROTARY LAWN MOWER - MODEL NUMBER LC 153S (96141029000) PRODUCT NO. 961 41 02-90

KEY NO.	PART NO.	DESCRIPTION	KEY NO.	PART NO.	DESCRIPTION
1	580 63 87-08	Upper Handle Assembly (Includes Foam Grip)	25	532 16 13-33	Baffle, Side
2	532 19 72-02	Handle, Lower	26	532 16 34-09	Screw 12 x 5/8
3	532 40 54-16	Spring, Rear Door, RH	29	532 44 03-86	Engine Zone Control Cable
4	581 90 21-01	Rope Guide	30	532 42 11-76	Blade Adapter / Pulley
5	581 91 26-01	T-Knob	31	532 19 93-77	Blade, 21"
6	532 06 64-26	Wire, Tie	32	532 85 10-74	Washer, Hardened
7	532 19 15-74	Bolt, Handle 5/16-18 x 1.75	33	532 85 02-63	Lockwasher, Helical Spring 3/8
8	532 18 23-98	Knob, Handle	34	532 85 10-84	Screw, Hex Head 3/8-24 x 1.38
9	532 42 68-12	Bar, Control, Operator Presence	37	532 15 04-06	Bolt, Engine
10	532 18 88-21	Bolt, Carriage	38	- - -	Engine, Briggs & Stratton, Model Number 126T02-1616-H1 (order parts from Briggs & Stratton)
11	532 75 11-53	Nut, Hex, Centerlock 5/16-18 UNC			
12	532 05 17-93	Cotter, Hairpin	39	581 00 29-04	Grassbag
13	532 40 54-15	Spring, Rear Door, LH	40	532 41 19-51	Frame, Grassbag
14	532 17 88-48	Screw	41	532 18 21-66	Danger Decal
15	532 43 00-34	Bracket, Upstop	42	817 06 04-10	Screw
16	584 39 59-01	Rear Door Assembly	45	532 19 05-10	Mulcher Door Assembly
17	532 18 41-93	Bolt, Rear Door	46	532 19 05-12	Deflector, Discharge
18	532 19 81-70	Plug, Mulcher	47	532 08 83-49	Nut, Hex
19	532 40 80-00	Kit, Housing	48	532 42 90-01	Belt Keeper
20	532 41 82-39	Handle Bracket Assembly, LH	59	532 18 63-62	Grip, Handle, Foam
21	532 41 82-51	Handle Bracket Assembly, RH	--	115 62 45-20	Operator's Manual, European
22	532 42 88-67	Screw, Hex Washer Head	--	115 62 45-10	Operator's Manual, Scandinavian
23	532 16 31-83	Bolt, Hex Head 5/16-18 x 5/8	--	115 62 45-40	Operator's Manual, East Bloc
24	873 80 05-00	Nut, Hex, with Lock Washer Insert 5/16-18	--	115 62 45-50	Operator's Manual, Baltic

ω

NOTE: All component dimensions given in U.S. inches. 1 inch = 25.4 mm. **IMPORTANT:** Use only Original Equipment Manufacturer (O.E.M.) replacement parts. Failure to do so could be hazardous, damage your lawn mower and void your warranty.

HUSQVARNA ROTARY LAWN MOWER - MODEL NUMBER LC 153S (96141029000) PRODUCT NO. 961 41 02-90



HUSQVARNA ROTARY LAWN MOWER - MODEL NUMBER LC 153S (96141029000) PRODUCT NO. 961 41 02-90

KEY NO.	PART NO.	DESCRIPTION	KEY NO.	PART NO.	DESCRIPTION
1	585 04 08-01	Drive Control Assembly (Includes Cable)	28	812 00 00-58	E-Ring 7/16
2	580 65 93-03	Bar, Drive Control	29	581 84 04-01	Cover, Dust, Wheel
11	532 40 65-58	Spring, Return	31	532 40 48-45	Seal, Friction
13	532 41 92-13	Gear Case Assembly, Complete	32	581 68 51-01	Wheel & Tire Assembly, Rear
14	532 40 57-03	Pulley, Drive	33	532 40 91-48	Nut, Hex, Flangelock 3/8-16
15	532 08 83-48	Washer, Flat	34	532 85 12-26	Washer
16	532 19 05-10	Rod, Connecting	35	532 41 09-22	Shaft Assembly, Rear
17	532 40 96-16	Spring, Extension	36	532 41 09-33	Shaft Assembly, Front
18	532 41 88-66	Spring Selector	37	532 16 14-63	Retainer, Front Shaft
19	532 19 00-69	Knob, Selector Spring	38	532 16 34-09	Screw #12 x 5/8
20	812 00 00-22	E-Ring	39	532 40 70-59	Bolt, Shoulder, Semi-Gimlet Point
21	532 40 48-38	Bearing Assembly	40	532 41 08-31	Wheel & Tire Assembly, Front 8 x 1-3/4
23	532 16 45-55	Retainer, Drive Assembly, Stamped	41	532 40 48-35	Pinion
24	817 06 04-10	Screw, Tapping, Hex Head 1/4-20 x 3/4	42	532 19 74-80	O-Ring
25	532 43 26-72	Drive Cover Assembly (Includes Mounting Screw and Pushnut)	44	532 40 65-80	V-Belt
			47	532 06 77-25	Washer 1/2 x 1-1/2 x .134
			50	532 41 31-04	Belt Keeper

5

NOTE: All component dimensions given in U.S. inches. 1 inch = 25.4 mm. **IMPORTANT:** Use only Original Equipment Manufacturer (O.E.M.) replacement parts. Failure to do so could be hazardous, damage your lawn mower and void your warranty.