

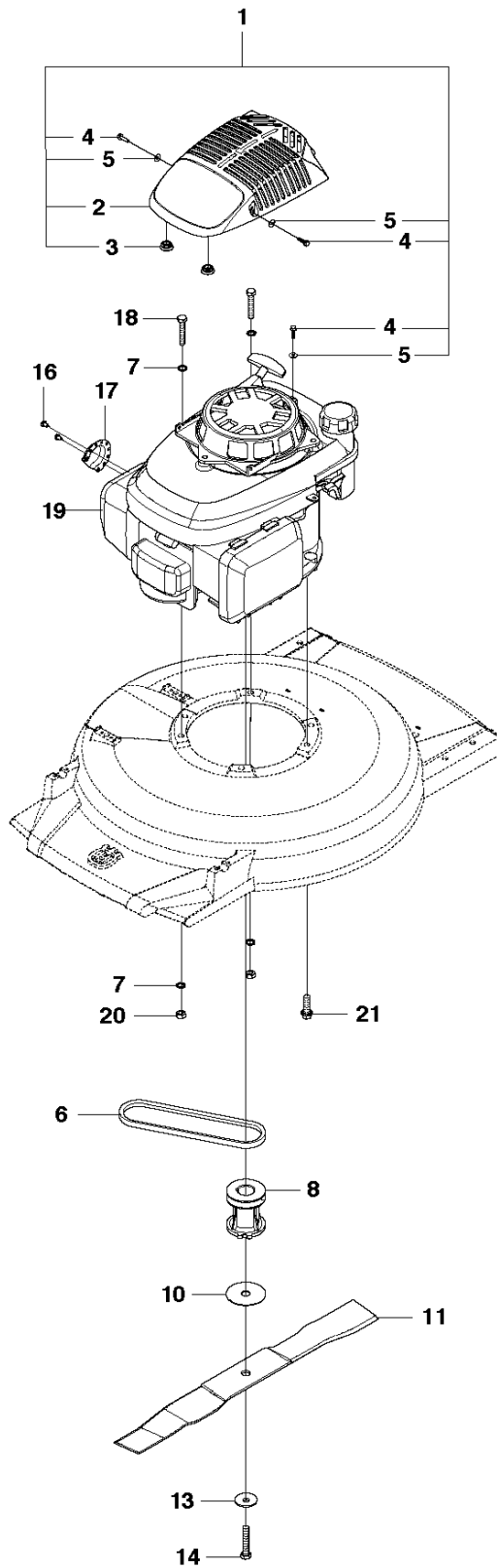


# SPARE PARTS LIST

LAWN MOWERS: CONSUMER  
WALK-BEHINDS

WB48 S, 966978002, 2013-02

**D** WB 48S  
ENGINE

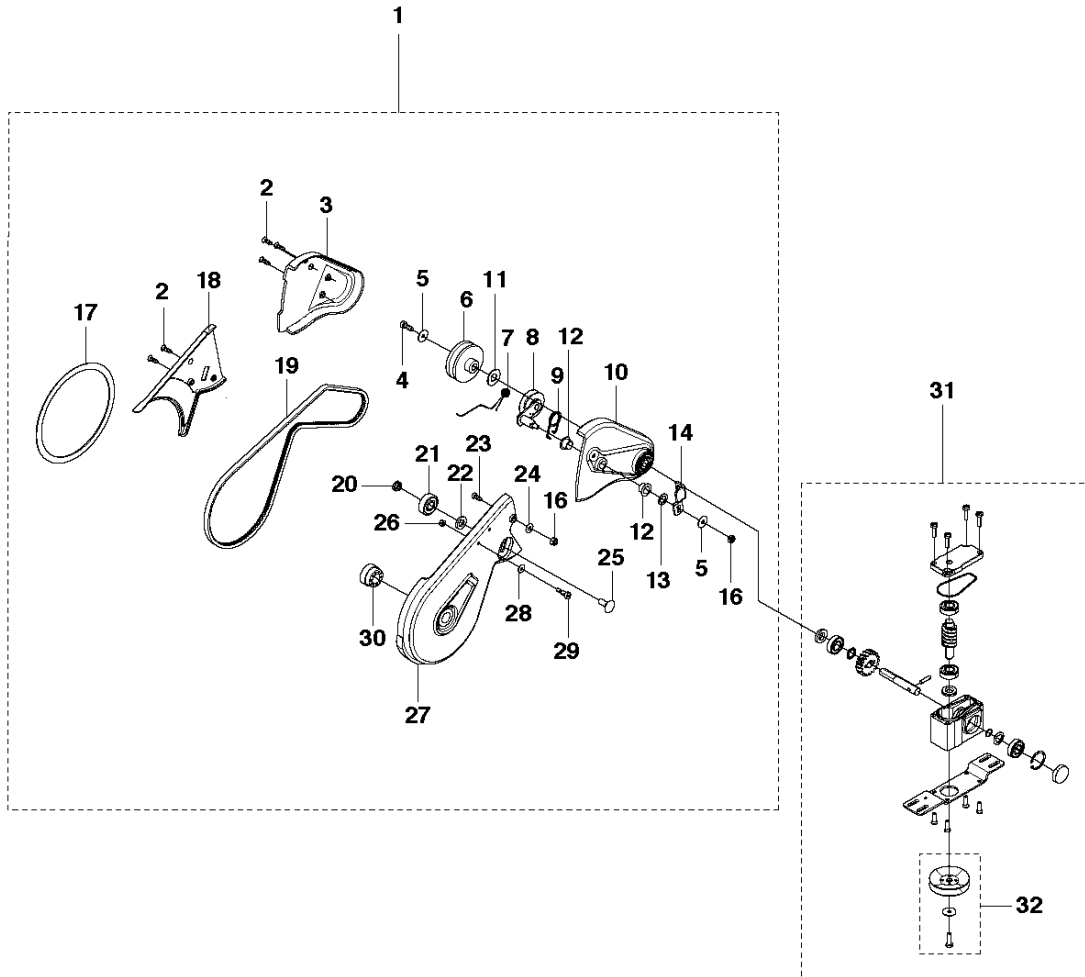


## ENGINE

WB48 S, 966978002, 2013-02

Ref	Part no.	Description	Remark	Qty	Kit
1	581 66 24-01	ENGINE COVER		1	
2	575 68 80-01	ENGINE COVER		1	1
3	538 24 26-49	RUBBER CAP		2	1
4	525 43 31-01	SCREW		3	1
5	531 20 71-70	WASHER		3	1
6	502 94 53-01	V-BELT	Kit: 5254800-01 (Belt with shell)	1	
7	735 21 64-01	LOCK WASHER		4	
8	502 87 22-01	BLADE SUPPORT		1	
10	503 25 94-01	WASHER		1	
11	502 88 13-01	MOWER BLADE		1	
13	503 33 25-01	SPRING		1	
14	504 45 64-02	SCREW EHHU		1	
15	577 67 03-02	DECAL		1	
16	502 88 32-01	SCREW EHHFT		2	
17	502 88 05-01	DEFLECTOR		1	
18	725 24 60-71	SCREW EHHM		2	
19	.	TBD	GCV135E S4-H4-SD	1	
20	731 23 18-01	HEXAGON NUT		2	
21	502 88 29-01	SCREW		1	

**B** GEAR  
Mulch

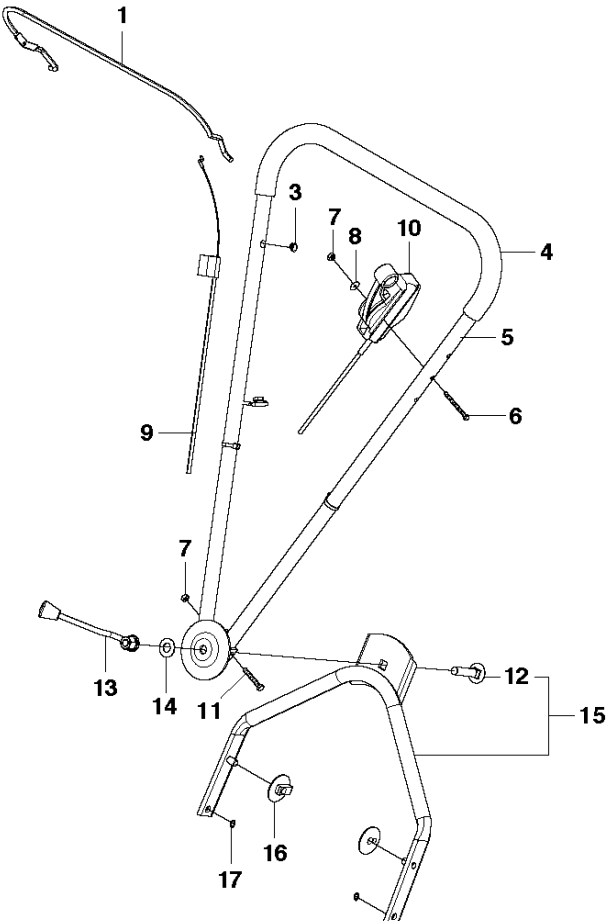


## GEAR BOX

WB48 S, 966978002, 2013-02

Ref	Part no.	Description	Remark	Qty	Kit
1	585 19 26-02	TRANSMISSION KIT		1	
2	578 97 60-01	SCREW ITPANTT		5	1
3	578 26 55-02	COVER		1	1
4	504 45 67-01	SCREW IHSCM		1	1
5	734 18 13-51	WASHER		2	1
6	578 77 11-01	PULLEY		1	1
7	502 88 03-01	SPRING		1	1
8	503 32 32-01	PULLEY ASSY		1	1
9	503 32 66-01	SPRING		1	1
10	578 34 28-02	HOUSING ASSY		1	1
11	504 45 73-01	WASHER		1	1
12	503 27 71-01	BUSHING		2	1
13	504 46 08-01	WASHER		1	1
14	578 89 91-01	LEVER		1	1
16	732 25 16-01	HEXAGON LOCKING NUT		2	1
17	578 26 56-01	SEALING RING		1	1
18	578 26 54-02	COVER		1	1
19	580 79 40-01	V-BELT	Kit: 5254799-01 (Belt with shell)	1	1
20	503 31 76-01	BARREL NUT		1	1
21	738 22 01-19	BALL BEARING	6201-2RS1	1	1
22	504 46 06-01	WASHER		1	1
23	725 63 69-51	SCREW IHCSFM		1	1
24	503 32 40-01	SPRING		1	1
25	727 64 51-51	SCREW RSQM		1	1
26	732 25 14-01	HEXAGON LOCKING NUT		1	1
27	578 26 52-02	HOUSING		1	1
28	504 45 60-01	WASHER, 5X13X1		1	1
29	504 46 19-01	SCREW IHSCM		1	1
30	503 32 44-01	BUSHING		1	1
31	503 32 81-04	WORM GEAR ASSY		1	
32	585 40 06-01	PULLEY KIT		1	31

**C** WB 48S  
HANDLE

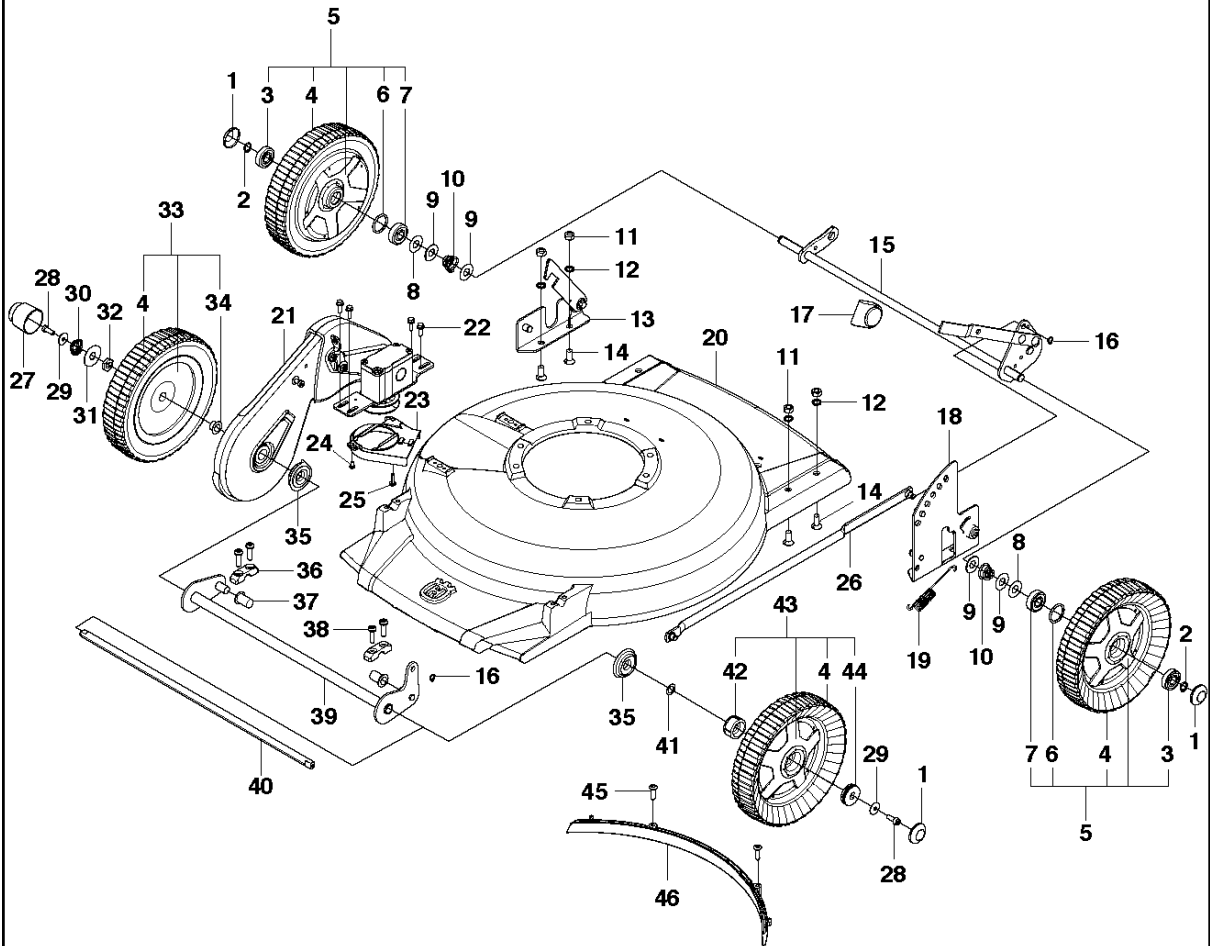


## HANDLE

WB48 S, 966978002, 2013-02

Ref	Part no.	Description	Remark	Qty	Kit
1	579 15 91-02	BAIL ARM ASSY		1	
3	503 32 09-01	BUSHING		1	
4	576 64 19-01	HANDLE GRIP		1	
5	502 90 74-04	HANDLE ASSY		1	
6	725 23 81-51	SCREW EHHM		1	
7	732 25 16-01	HEXAGON LOCKING NUT		2	
8	504 45 99-01	WASHER		1	
9	503 31 34-04	CABLE		1	
10	579 14 37-02	CONTROL		1	
11	725 23 78-71	SCREW EHHM		1	
12	727 65 43-51	SCREW RSQM		1	15
13	503 29 83-01	LEVER ASSY		1	
14	504 45 73-01	WASHER		1	
15	503 28 43-02	HANDLE ASSY		1	
16	504 46 45-02	ADJUSTING WHEEL		2	
17	735 31 12-00	CIRCLIP		2	

**A** WB 48S  
DECK





## MOWER DECK / CUTTING DECK

WB48 S, 966978002, 2013-02

Ref	Part no.	Description	Remark	Qty	Kit
1	503 27 51-01	HUB CAP		3	
2	504 45 83-01	CIRCLIP		2	
3	502 88 27-01	BALL BEARING	6201-2RS/B9	2	5
4	510 10 96-01	TYRE		4	5, 33, 43
5	503 27 54-02	WHEEL ASSY		2	
6	504 46 18-01	SPACER RING		2	5
7	503 24 29-01	BALL BEARING	6201-2RS	2	5
8	504 45 76-01	WASHER		2	
9	504 45 73-01	WASHER		4	
10	503 33 30-01	SPRING		2	
11	731 23 18-01	HEXAGON NUT		4	
12	735 21 64-01	LOCK WASHER		4	
13	503 26 58-02	HANDLE SUPPORT ASSY		1	
14	504 45 70-01	SCREW SLCSFM		4	
15	503 25 80-01	REAR AXLE ASSY		1	
16	735 31 10-00	CIRCLIP		2	
17	504 46 47-01	KNOB		1	
18	503 24 90-02	INDEX PLATE ASSY		1	
19	503 25 76-01	SPRING		1	
20	505 43 87-02	CHASSIS		1	
21	585 19 26-02	TRANSMISSION KIT		1	
22	725 23 29-61	SCREW EHHFT		4	
23	522 54 63-01	BELT GUARD		1	
24	522 63 56-01	SCREW ITXPANM		1	
25	504 46 70-01	SCREW ITXPANM		1	
26	503 24 95-02	ROD ASSY		1	
27	504 46 51-01	HUB CAP		1	
28	504 45 67-01	SCREW IHSCM		2	
29	504 45 99-01	WASHER		2	
30	503 33 23-01	SPRING		1	
31	504 46 09-01	WASHER		1	
32	504 46 13-01	DRIVER		1	
33	503 31 74-02	WHEEL ASSY		1	
34	503 27 71-01	BUSHING		1	33
35	504 46 36-01	BUSHING		2	
36	504 46 38-02	BRACKET		2	
37	502 89 81-02	CASING		2	
38	504 45 71-01	SCREW ITXPANM		4	
39	503 26 92-01	FRONT AXLE		1	
40	502 87 38-01	DRIVE SHAFT		1	
41	504 45 98-01	WASHER		1	
42	503 27 64-01	BUSHING		1	43
43	503 27 55-02	WHEEL ASSY		1	
44	503 27 62-01	BUSHING		1	43
45	504 45 65-01	SCREW ITXPANT		2	
46	503 24 30-01	MULCH WALL		1	
47	579 73 39-01	DECAL		1	
48	520 29 05-07	LABEL		1	