



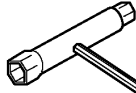
SPARE PARTS LIST

BRUSHCUTTERS/CLEARING SAWS

265 RX from 2014-12

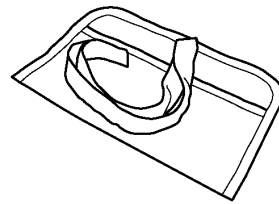
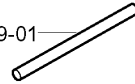
R Tillbehör
Accessories
Zubehöre
Accessoires
Accesorios

*compl 502 21 60-12

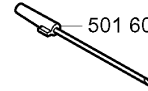


501 68 89-01*

*502 28 59-01

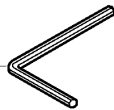


501 19 22-01*

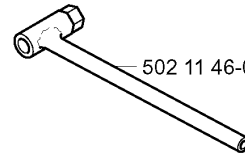
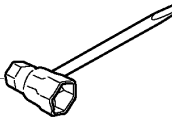


501 60 02-03*

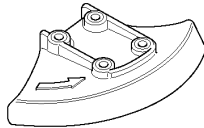
*503 55 86-05



*501 69 17-01

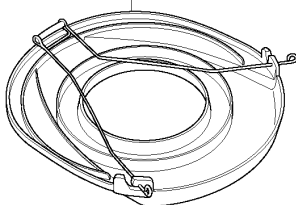


502 11 46-02*



502 03 94-03 (225 mm)
502 03 95-03 (255 mm)

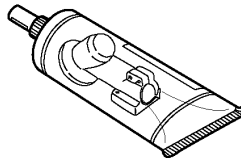
537 31 29-01 (200-275 mm)



537 30 66-01
Trio Balance

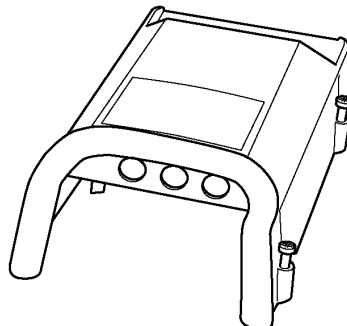


S Levereras endast som reservdel
Delivery as spare part only
Nur als Ersatzteil lieferbar
Livrable seulement comme pièce de rechange
Solo como repuesto



503 97 64-01

Vintersats
Winter kit
Wintersatz
Dispositif hivernal
Juego para uso invernal
compl 537 25 36-01

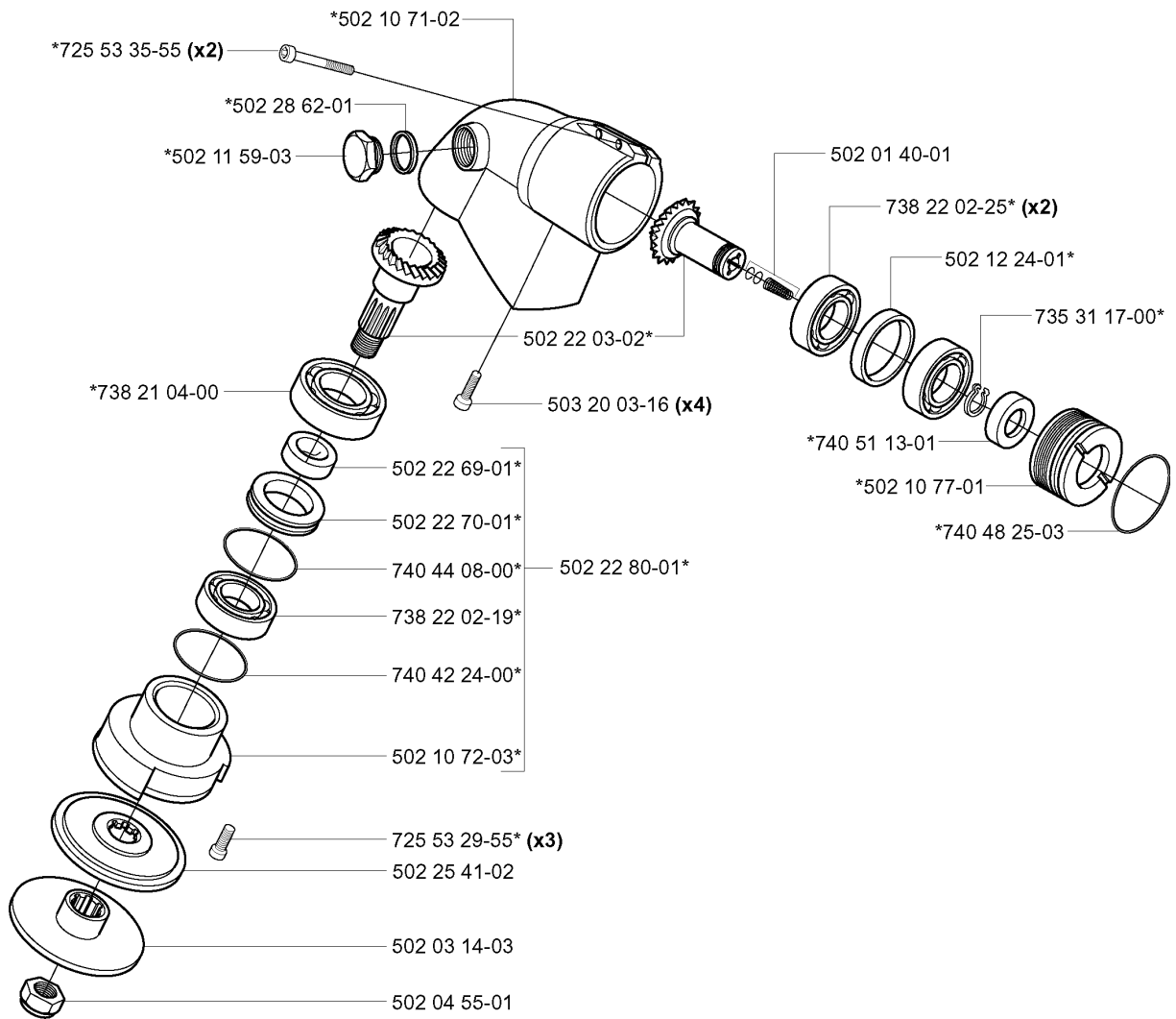


ACCESSORIES

265 RX from 2014-12

Part No	Description	Remark	QTY KIT
501 19 22-01	TOOL CASING		1
501 60 02-03	SCREWDRIVER		1
501 68 89-01	SLEEVE TOOL		1
501 69 17-01	COMBINATION WRENCH		1
502 03 94-03	SAW BLADE GUARD	225 MM	1
502 03 95-03	SAW BLADE GUARD	255 MM	1
502 11 46-02	SOCKET WRENCH		1
502 21 60-12	ACCESSORY BAG		1
502 28 59-01	STOP		1
503 55 86-05	SPANNER		1
503 97 64-01	GREASE		1
537 25 36-01	WINTER KIT		1
537 30 66-01	BAG	TRIO BALANCE	1
537 31 29-01	TRANSPORT GUARD	200-275 MM	1

A *compl 502 10 70-07

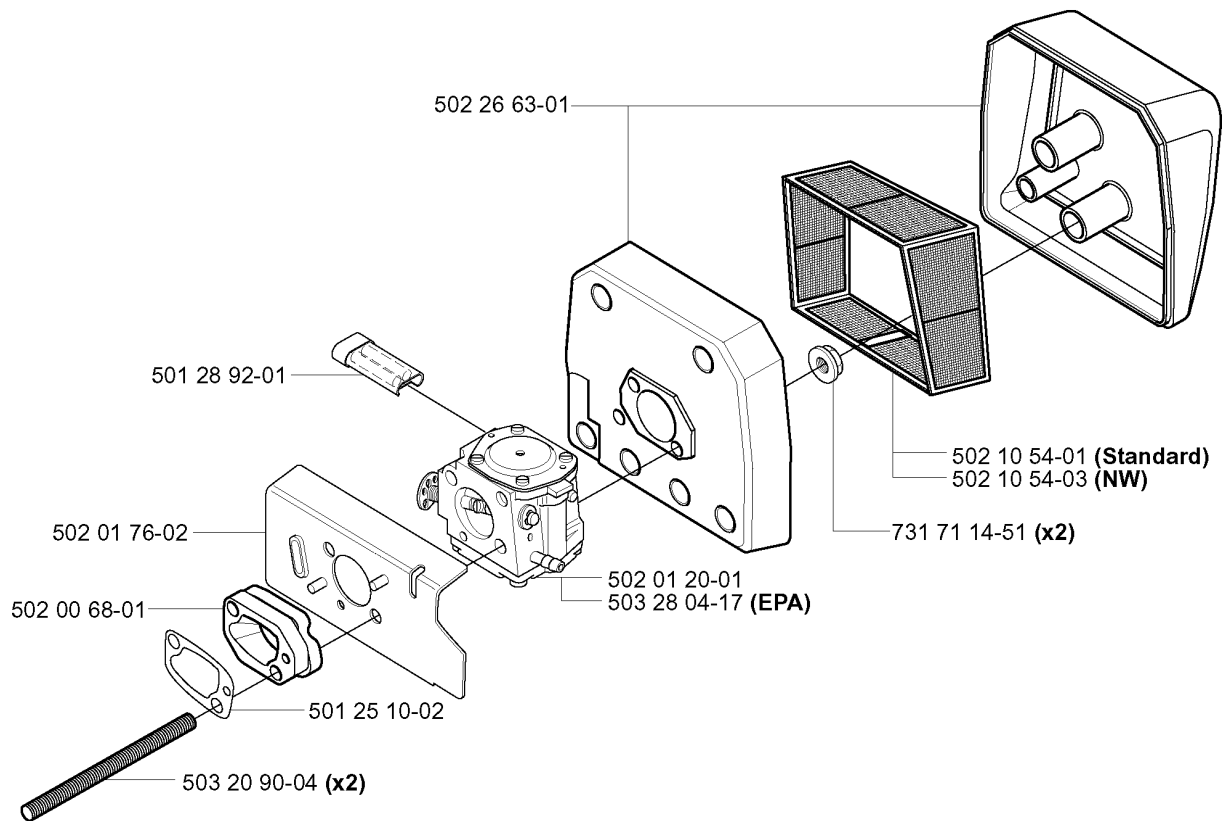


BEVEL GEAR

265 RX from 2014-12

Part No	Description	Remark	QTY KIT
502 01 40-01	KIT		1
502 03 14-03	SUPPORT FLANGE		1
502 04 55-01	LOCKING NUT		1
502 10 70-07	GEAR HOUSING ASSY		1
502 10 71-02	GEAR HOUSING		1
502 10 72-03	GEAR CASE COVER		1
502 10 77-01	STOP SLEEVE		1
502 11 59-03	PLUG		1
502 12 24-01	SPACER RING		1
502 22 03-02	GEAR WHEEL		1
502 22 69-01	SPACER RING		1
502 22 70-01	SEALING COLLAR		1
502 22 80-01	GEAR CASE COVER		1
502 25 41-02	DRIVER		1
502 28 62-01	WASHER		1
503 20 03-16	SCREW IHSCFM		4
725 53 29-55	SCREW IHSCM		3
725 53 35-55	SCREW IHSCM		2
735 31 17-00	CIRCLIP		1
738 21 04-00	BALL BEARING		1
738 22 02-19	BALL BEARING		1
738 22 02-25	BALL BEARING		2
740 42 24-00	O-RING		1
740 44 08-00	O-RING		1
740 48 25-03	O-RING		1
740 51 13-01	SEALING RING		1

G



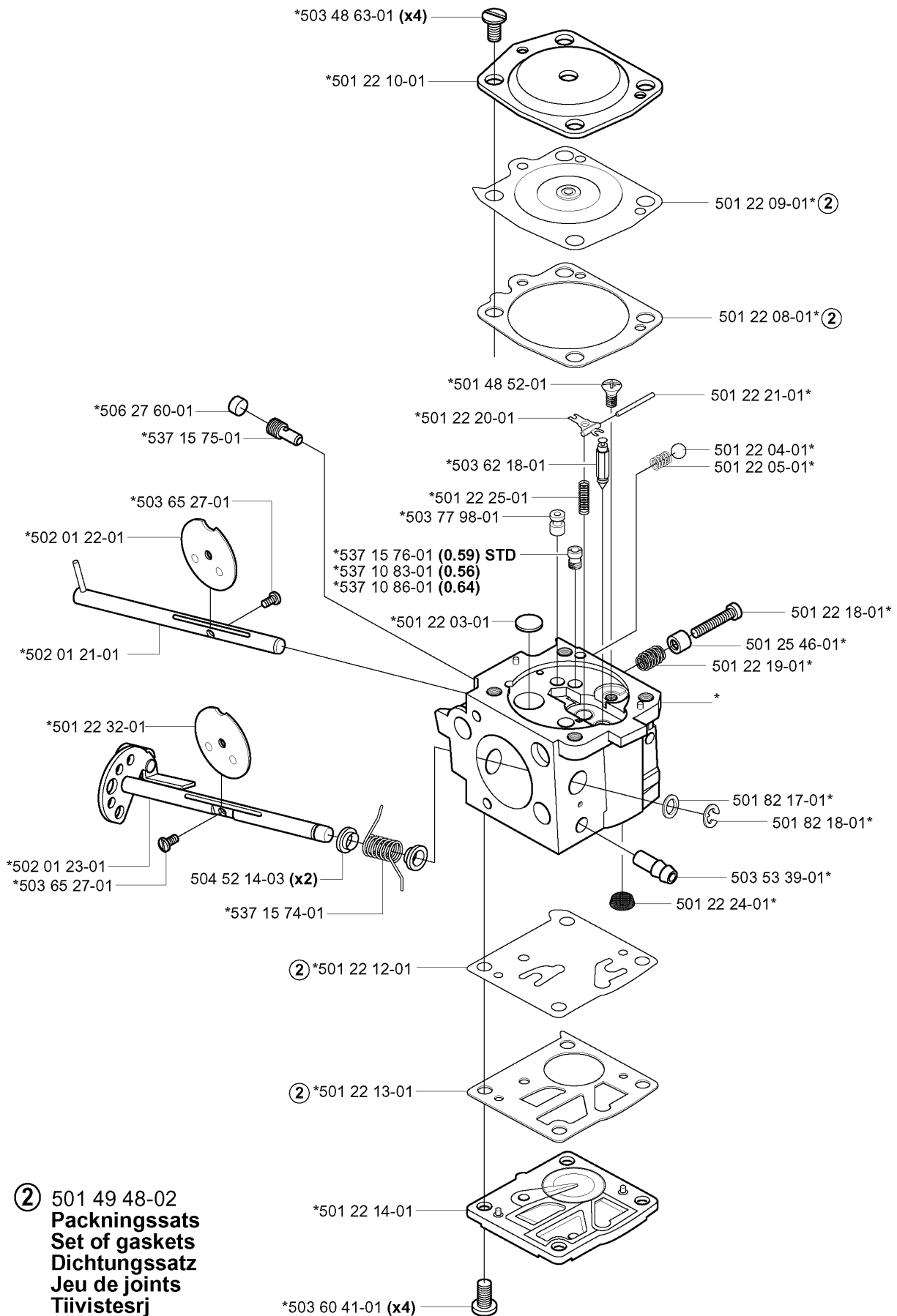
CARBURETOR & AIR FILTER

265 RX from 2014-12

Part No	Description	Remark	QTY KIT
501 25 10-02	GASKET		1
501 28 92-01	GUIDE BUSHING		1
502 00 68-01	MANIFOLD		1
502 01 20-01	CARBURETTOR		1
502 01 76-02	INTERMEDIATE WALL		1
502 10 54-01	AIR FILTER ASSY	STANDARD	1
502 10 54-03	AIR FILTER ASSY	NW	1
502 26 63-01	KIT		1
503 20 90-04	SCREW PIN		2
503 28 04-17	CARBURETTOR	EPA	1
731 71 14-51	HEXAGON NUT FLANGED		2

Q *compl 503 28 04-17 (EPA)

Tillotson HS 304 A



(2) 501 49 48-02
Packningssats
Set of gaskets
Dichtungssatz
Jeu de joints
Tiivistesrj

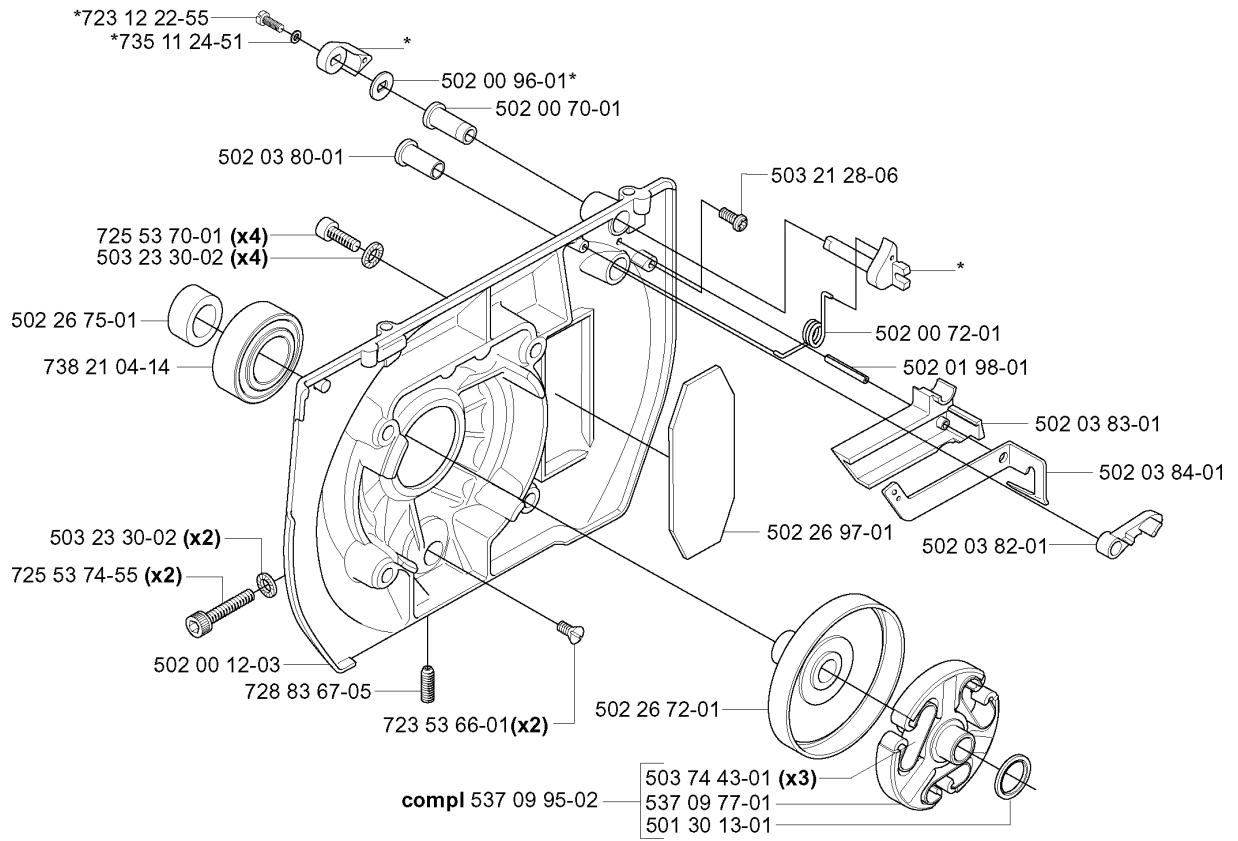
CARBURETOR DETAILS

265 RX from 2014-12

Part No	Description	Remark	QTY KIT
501 22 03-01	PLUG WELCH		1
501 22 04-01	CHOKE FRICTION BALL		1
501 22 05-01	SPRING		1
501 22 08-01	DIAPHRAGM GASKET	501 49 48-02 SET OF GASKETS	1
501 22 09-01	DIAPHRAGM	501 49 48-02 SET OF GASKETS	1
501 22 10-01	DIAPHRAGM COVER		1
501 22 12-01	FUEL PUMP DIAPHRAM	501 49 48-02 SET OF GASKETS	1
501 22 13-01	FUEL PUMP GASKET	501 49 48-02 SET OF GASKETS	1
501 22 14-01	FUEL PUMP COVER		1
501 22 18-01	IDLE SPEED SCREW		1
501 22 19-01	IDLE SPEED SCREW SP.		1
501 22 20-01	LEVER		1
501 22 21-01	PIN RETAINING SCREW		1
501 22 24-01	SCREEN		1
501 22 25-01	SPRING		1
501 22 32-01	THROTTLE SHUTTER		1
501 25 46-01	IDLE SPEED SCREW CUP		1
501 48 52-01	PIN RETAINING SCREW		1
501 82 17-01	THROTTLE SH.WASHER		1
501 82 18-01	THROTTLE SH."E"RING		1
502 01 21-01	CHOKE SHAFT		1
502 01 22-01	CHOKE SHUTTER		1
502 01 23-01	THROTTLE SH.&LEVER		1
503 28 04-17	CARBURETTOR	EPA	1
503 48 63-01	SCREW		4
503 53 39-01	TUBE CONNECTOR		1
503 60 41-01	SCREW		4
503 62 18-01	NEEDLE		1
503 65 27-01	SCREW SHUTTER		1
503 65 27-01	SCREW SHUTTER		1
503 77 98-01	CHECKVALVE ASSY		1
504 52 14-03	THRO.RETU.SPR.SLEEVE		2
506 27 60-01	PLUG		1
537 10 83-01	JET	0.56	1
537 10 86-01	JET	0.64	1
537 15 74-01	SPRING		1
537 15 75-01	IDLE MIXTURE JET		1
537 15 76-01	JET	0.59 STD	1

L *compl 502 00 97-02

CHOKE 502 27 15-01

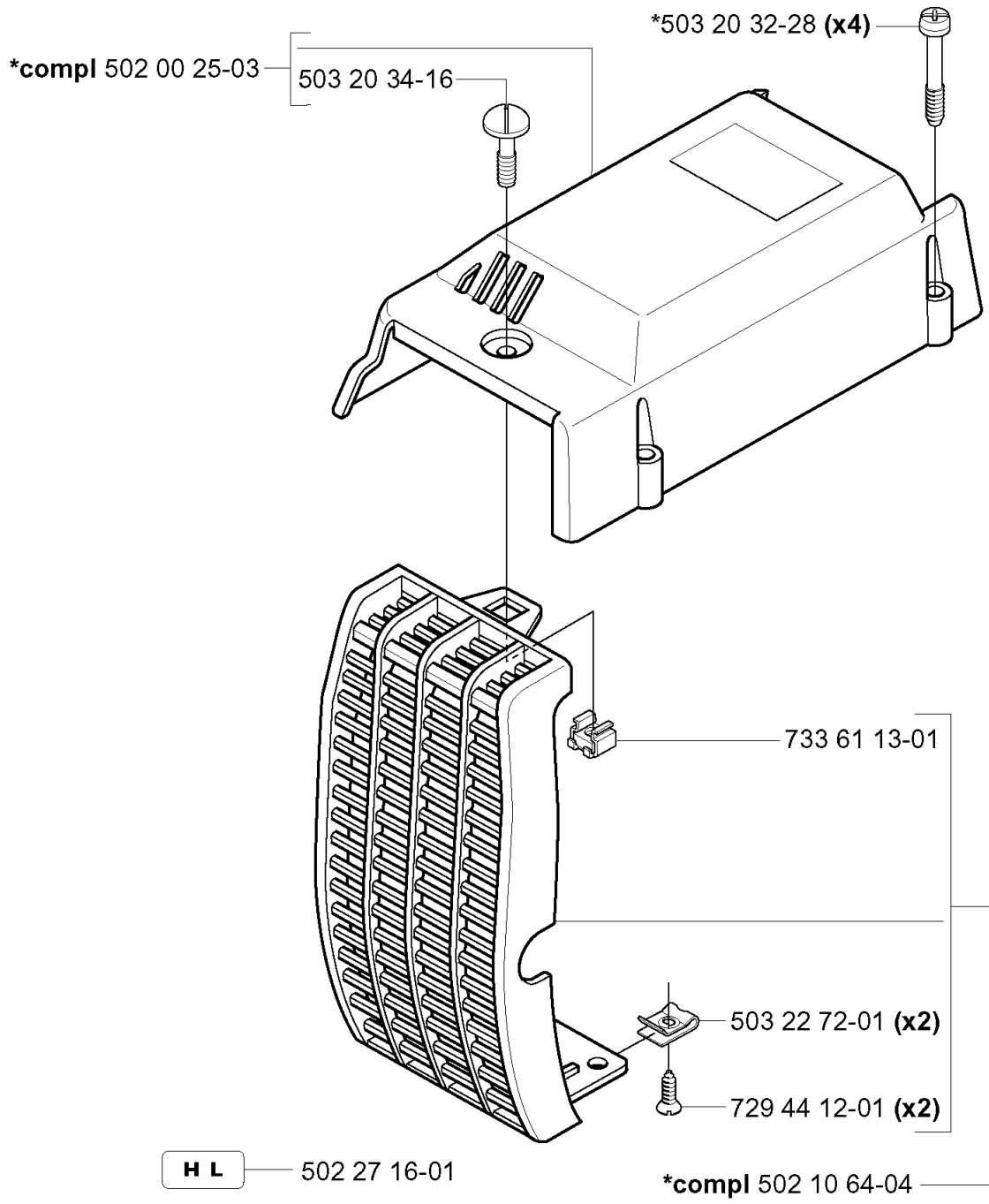


CLUTCH

265 RX from 2014-12

Part No	Description	Remark	QTY KIT
501 30 13-01	WASHER		1
502 00 12-03	CLUTCH COVER ASSY		1
502 00 70-01	BEARING BUSHING		1
502 00 72-01	SPRING		1
502 00 96-01	WASHER		1
502 00 97-02	STARTER THROTTLE LOCK		1
502 01 98-01	SPRING PIN		1
502 03 80-01	BUSHING		1
502 03 82-01	THROTTLE LEVER		1
502 03 83-01	SPRING RETAINER		1
502 03 84-01	SPRING		1
502 26 72-01	CLUTCH DRUM ASSY		1
502 26 75-01	SPACER RING		1
502 26 97-01	SPACER		1
502 27 15-01	DECAL		1
503 21 28-06	SCREW CCRPANT		1
503 23 30-02	WASHER		4
503 23 30-02	WASHER		2
503 74 43-01	CLUTCH SPRING		3
537 09 77-01	CLUTCH SHOE		1
537 09 95-02	CLUTCH ASSY		1
723 12 22-55	SCREW SLCHM		1
723 53 66-01	SCREW SLCSFM		2
725 53 70-01	SCREW IHSCM		4
725 53 74-55	SCREW IHSCM		2
728 83 67-05	SCREW IHSETM		1
735 11 24-51	SPRING WASHER		1
738 21 04-14	BALL BEARING		1

E

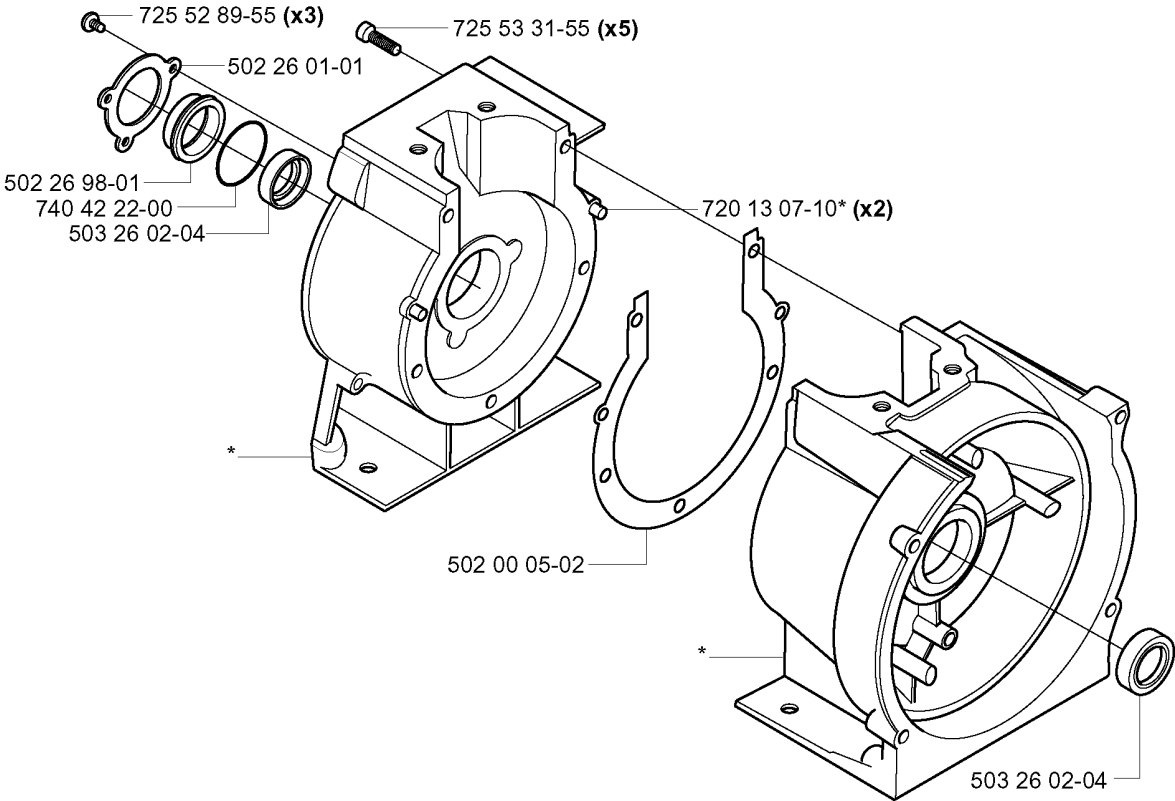


COVER

265 RX from 2014-12

Part No	Description	Remark	QTY KIT
502 00 25-03	CYLINDER COVER ASSY		1
502 10 64-04	HEAT PROTECTOR		1
502 27 16-01	DECAL		1
503 20 32-28	SCREW CRPANMO		4
503 20 34-16	SCREW CRPANMO		1
503 22 72-01	SPEED NUT		2
537 35 67-01	LABEL		1
729 44 12-01	SCREW SLCSRT		2
733 61 13-01	CAGE NUT		1

N *compl 502 00 20-01

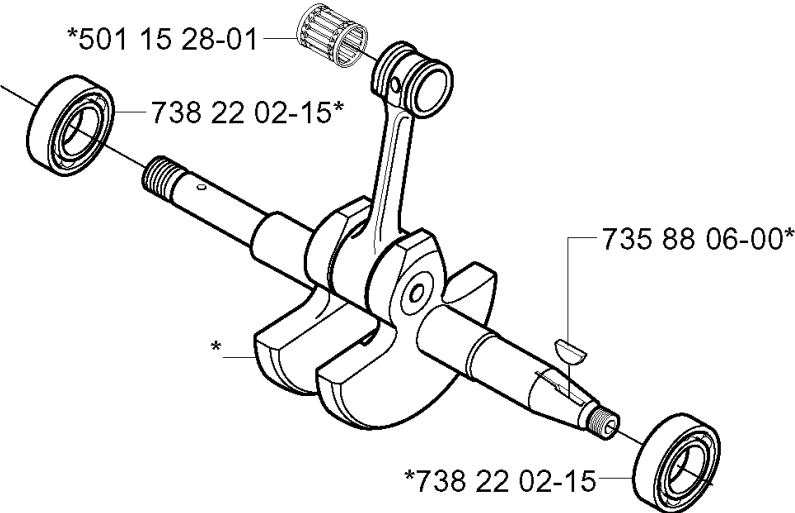


CRANKCASE

265 RX from 2014-12

Part No	Description	Remark	QTY KIT
502 00 05-02	CRANKCASE GASKET		1
502 00 20-01	CRANKCASE		1
502 26 01-01	BEARING CAGE		1
502 26 98-01	SEALING RING HOLDER		1
503 26 02-04	SEALING RING		1
503 26 02-04	SEALING RING		1
720 13 07-10	PARALLEL PIN		2
725 52 89-55	SCREW IHSCM		3
725 53 31-55	SCREW IHSCM		5
740 42 22-00	O-RING		1

P *compl 503 88 50-72

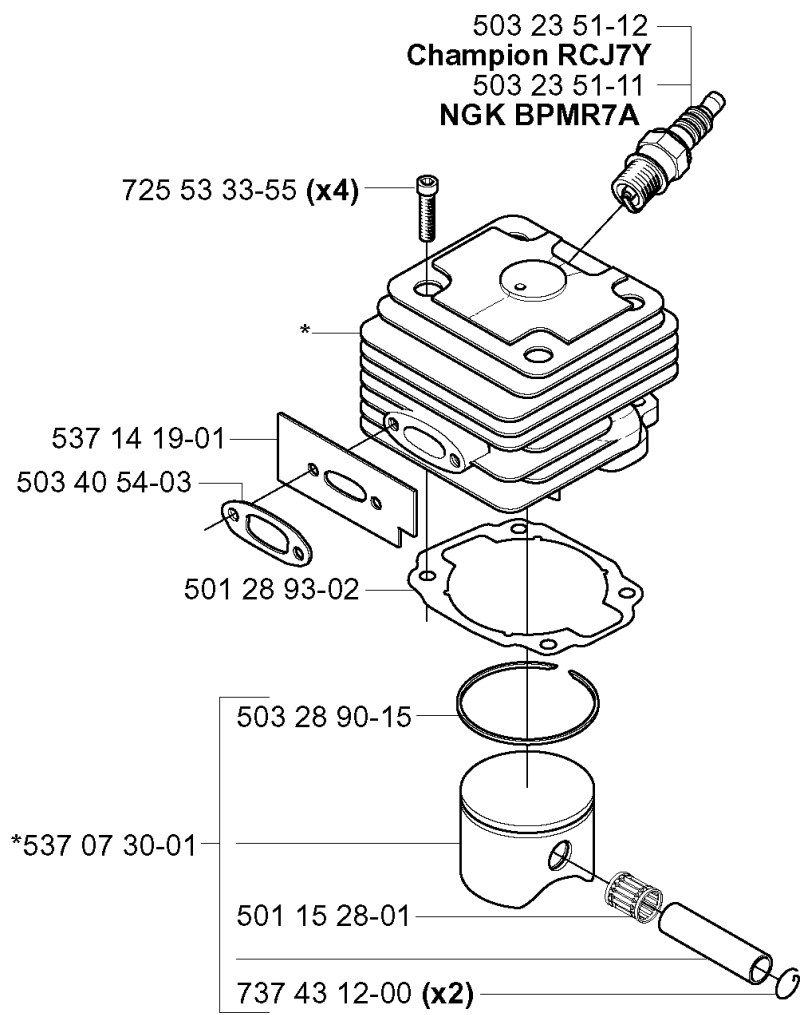


CRANKSHAFT

265 RX from 2014-12

Part No	Description	Remark	QTY KIT
501 15 28-01	NEEDLE BEARING		1
503 88 50-72	CRANKSHAFT		1
735 88 06-00	WOODRUFF KEY		1
738 22 02-15	BALL BEARING		1
738 22 02-15	BALL BEARING		1

M *compl 502 25 80-02

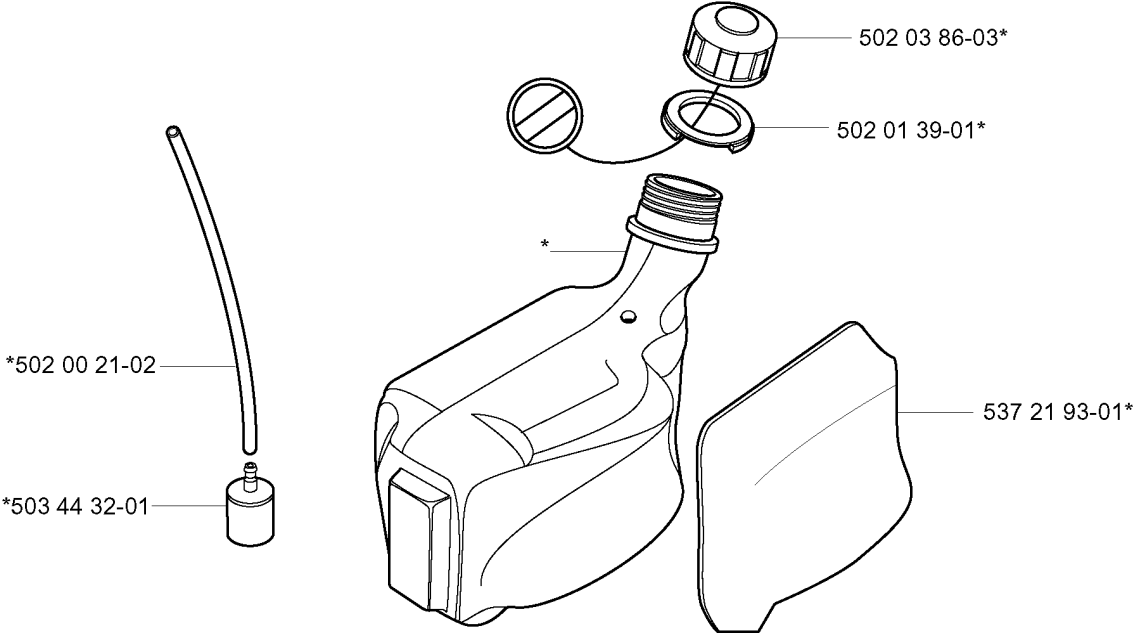


CYLINDER PISTON

265 RX from 2014-12

Part No	Description	Remark	QTY KIT
501 15 28-01	NEEDLE BEARING		1
501 28 93-02	GASKET		1
502 25 80-02	CYLINDER ASSY		1
503 23 51-11	SPARK PLUG	NGK BPMR7A	1
503 23 51-12	SPARK PLUG	CHAMPION RCJ7Y	1
503 28 90-15	PISTON RING		1
503 40 54-03	GASKET MUFFLER		1
537 07 30-01	PISTON ASSY		1
537 14 19-01	BAFFLE PLATE		1
725 53 33-55	SCREW IHSCM		4
737 43 12-00	SNAP RING		2

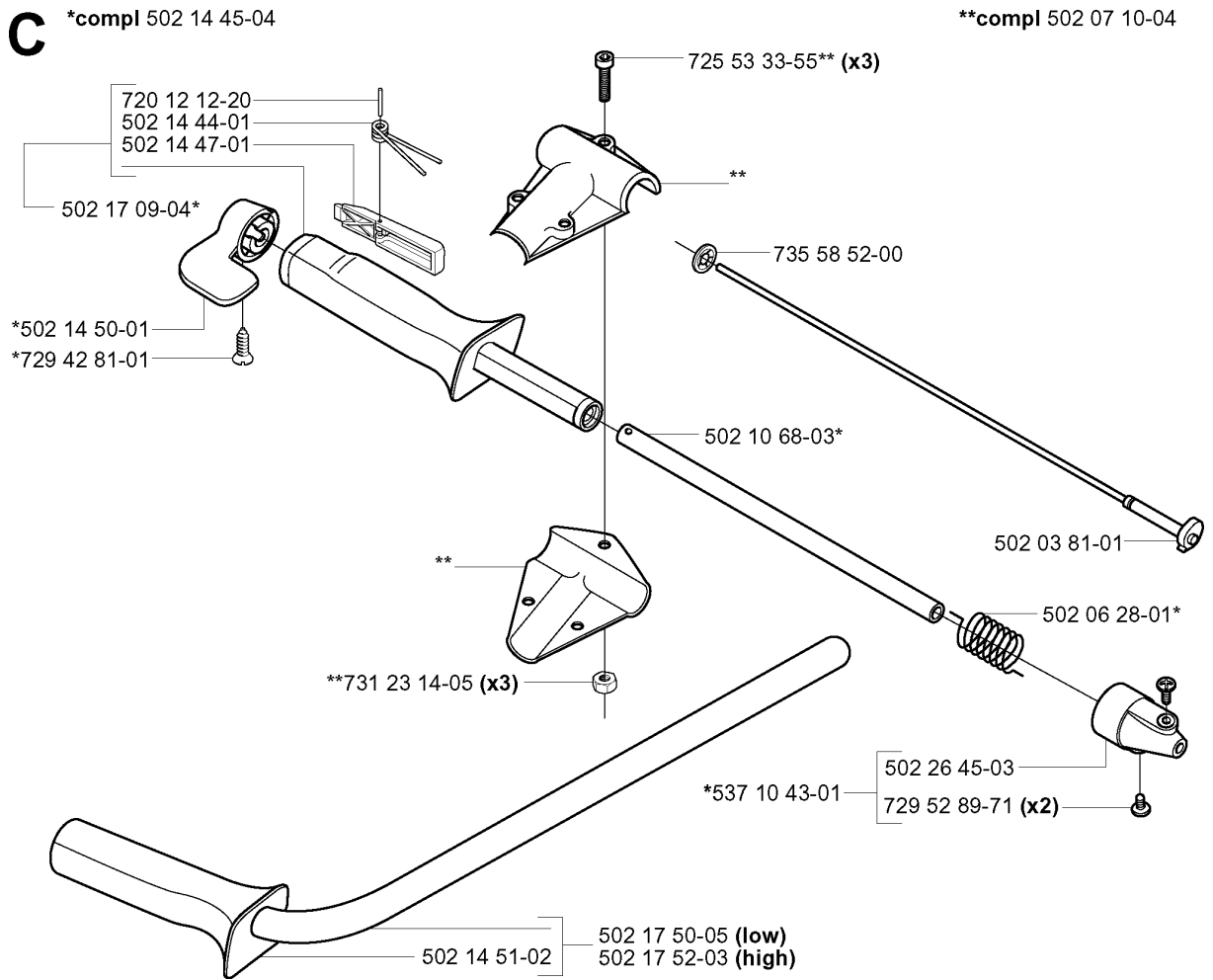
J *compl 502 00 16-05



FUEL TANK

265 RX from 2014-12

Part No	Description	Remark	QTY KIT
502 00 16-05	FUEL TANK ASSY		1
502 00 21-02	FUEL HOSE		1
502 01 39-01	GROMMET		1
502 03 86-03	TANK CAP ASSY		1
503 44 32-01	FILTER		1
537 21 93-01	HEAT PROTECTOR		1

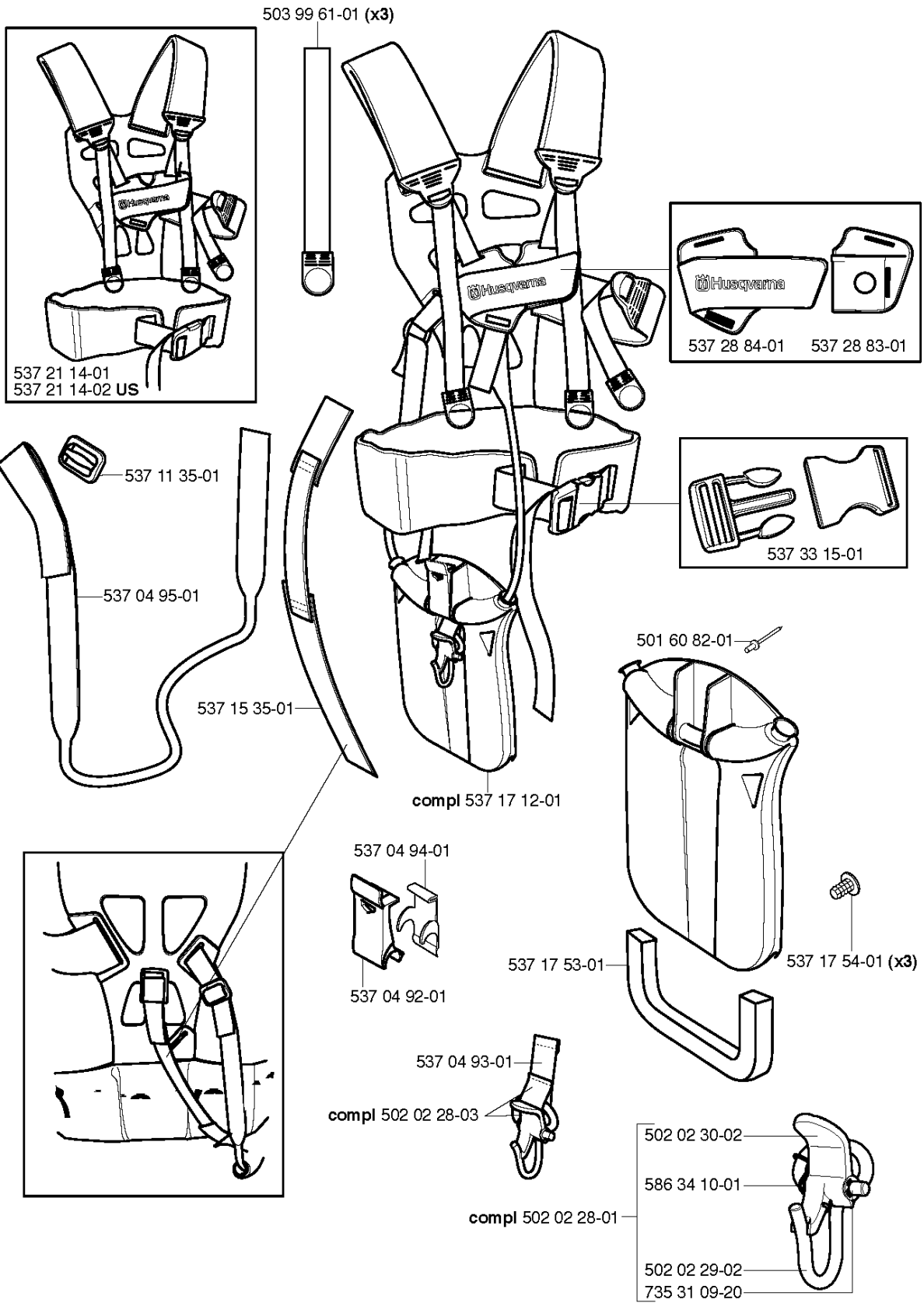


HANDLE & CONTROLS

265 RX from 2014-12

Part No	Description	Remark	QTY KIT
502 03 81-01	SHAFT FLEXIBLE		1
502 06 28-01	RECOIL SPRING		1
502 07 10-04	RETAINER		1
502 10 68-03	TUBULAR SHAFT		1
502 14 44-01	SPRING		1
502 14 45-04	HANDLEBAR RIGHT		1
502 14 47-01	THROTTLE LOCKOUT		1
502 14 50-01	THROTTLE TRIGGER		1
502 14 51-02	HANDLE		1
502 17 09-04	HANDLEBAR RIGHT		1
502 17 50-05	HANDLEBAR LEFT	LOW	1
502 17 52-03	HANDLEBAR	HIGH	1
502 26 45-03	SPRING GUIDE		1
537 10 43-01	SPRING GUIDE		1
720 12 12-20	PARALLEL PIN		1
725 53 33-55	SCREW IHSCM		3
729 42 81-01	SCREW SLCSRT		1
729 52 89-71	SCREW CRPANT		2
731 23 14-05	HEXAGON NUT		3
735 58 52-00	WASHER		1

U Trio Balance
compl 531 00 92-08
compl 531 00 92-09 US

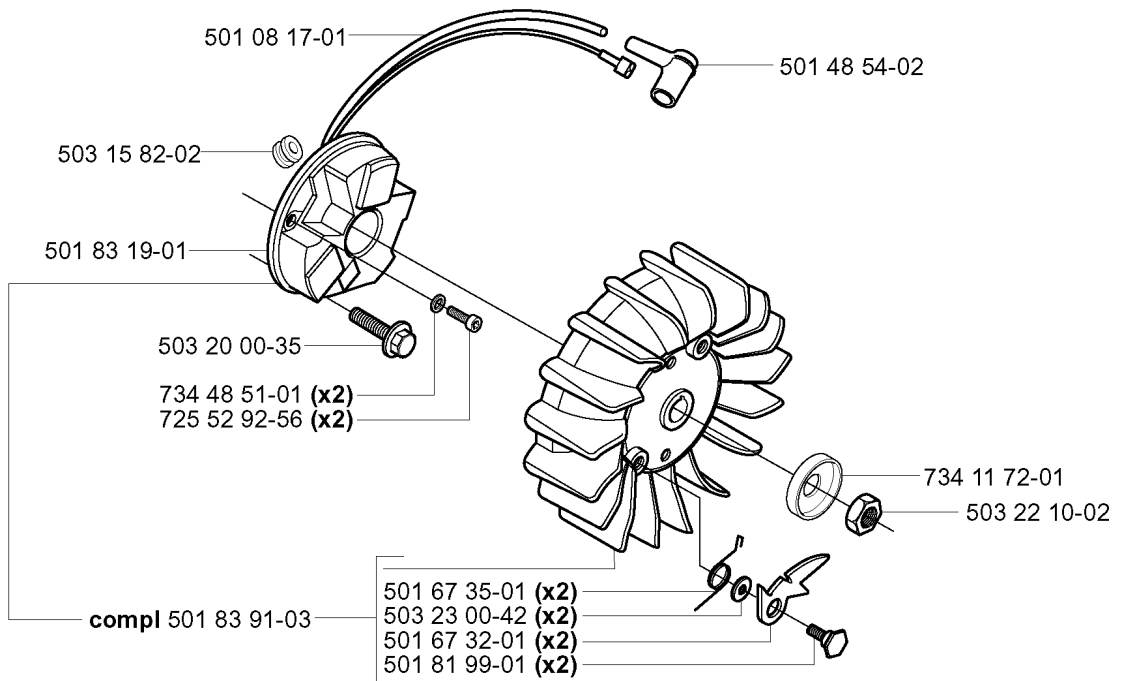


HARNESS

265 RX from 2014-12

Part No	Description	Remark	QTY KIT
501 60 82-01	RIVET		1
502 02 28-01	HOOK		1
502 02 28-03	WELT HOOK		1
502 02 29-02	HOOK		1
502 02 30-02	LOCK		1
503 99 61-01	BAND		3
531 00 92-08	HARNESS		1
531 00 92-09	HARNESS	US	1
537 04 92-01	HIP PAD		1
537 04 93-01	HIP PAD		1
537 04 94-01	HIP PAD		1
537 04 95-01	BAND		1
537 11 35-01	RETAINER		1
537 15 35-01	STRAP		1
537 17 12-01	HIP PAD		1
537 17 53-01	HIP PAD		1
537 17 54-01	HIP PAD		3
537 21 14-01	HARNESS		1
537 21 14-02	HARNESS	US	1
537 28 83-01	FRONT PIECE		1
537 28 84-01	FRONT PIECE		1
537 33 15-01	BUCKLE		1
586 34 10-01	SPRING		1
735 31 09-20	E-CLIP		1

K

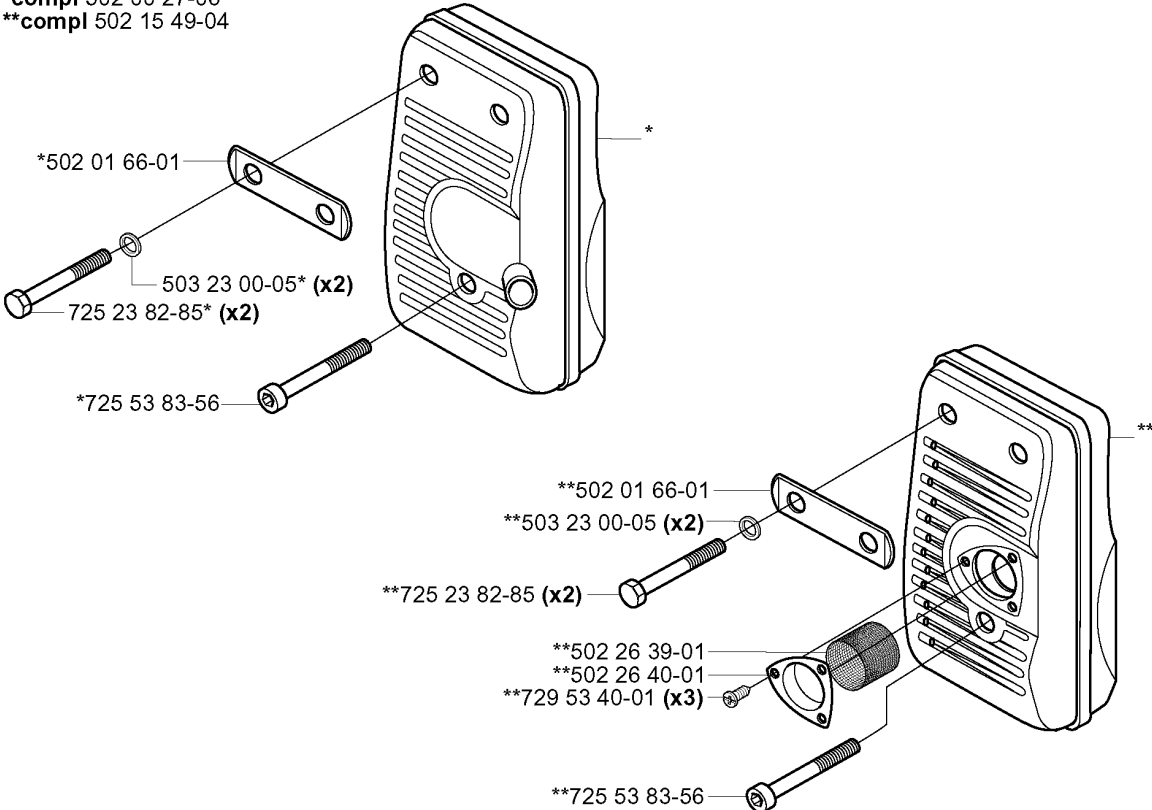


IGNITION SYSTEM

265 RX from 2014-12

Part No	Description	Remark	QTY KIT
501 08 17-01	IGNITION CABLE		1
501 48 54-02	SPARK PLUG CAP		1
501 67 32-01	PAWL		2
501 67 35-01	SPRING		2
501 81 99-01	SCREW		2
501 83 19-01	ANCHOR PLATE		1
501 83 91-03	FLYWHEEL MAGNET		1
503 15 82-02	CABLE GROMMET		1
503 20 00-35	SCREW EHHFM		1
503 22 10-02	HEXAGON NUT		1
503 23 00-42	WASHER		2
725 52 92-56	SCREW		2
734 11 72-01	WASHER		1
734 48 51-01	WASHER		2

F *compl 502 00 27-06
**compl 502 15 49-04

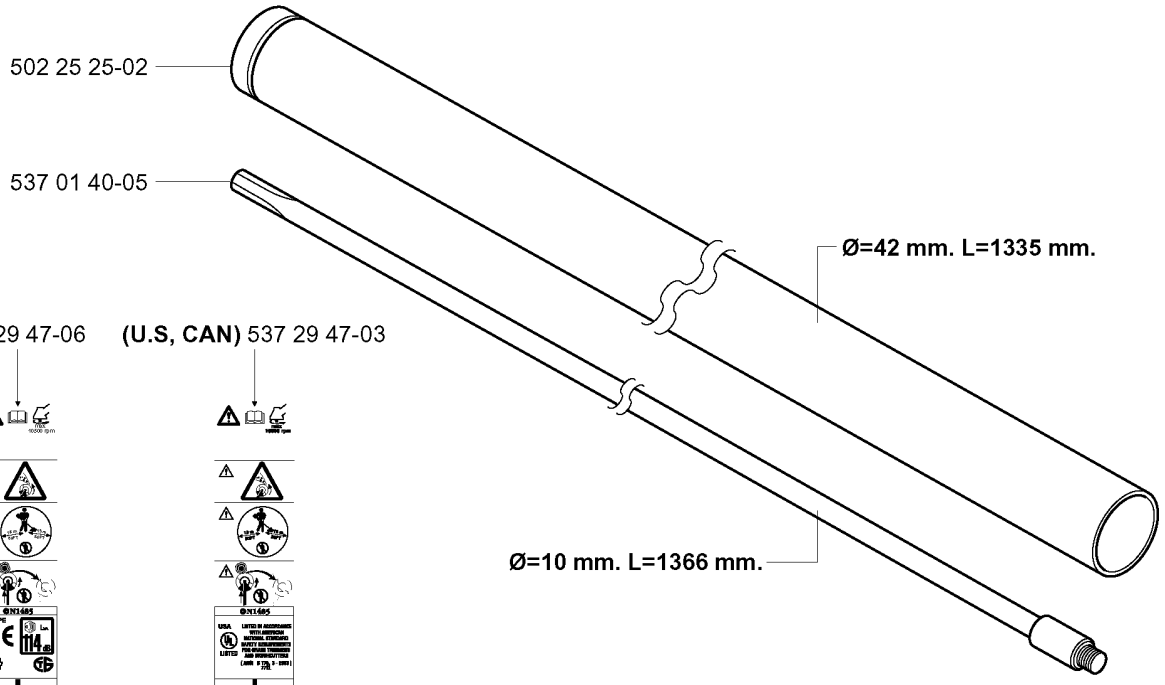


MUFFLER

265 RX from 2014-12

Part No	Description	Remark	QTY KIT
502 00 27-06	MUFFLER ASSY		1
502 01 66-01	LOCK PLATE		1
502 01 66-01	LOCK PLATE		1
502 15 49-04	MUFFLER		1
502 26 39-01	SPARK ARRESTER		1
502 26 40-01	HUB CAP		1
503 23 00-05	WASHER		2
503 23 00-05	WASHER		2
725 23 82-85	SCREW EHHM		2
725 23 82-85	SCREW EHHM		2
725 53 83-56	SCREW IHSCM		1
725 53 83-56	SCREW IHSCM		1
729 53 40-01	SCREW CRPANT		3

B



537 29 47-06

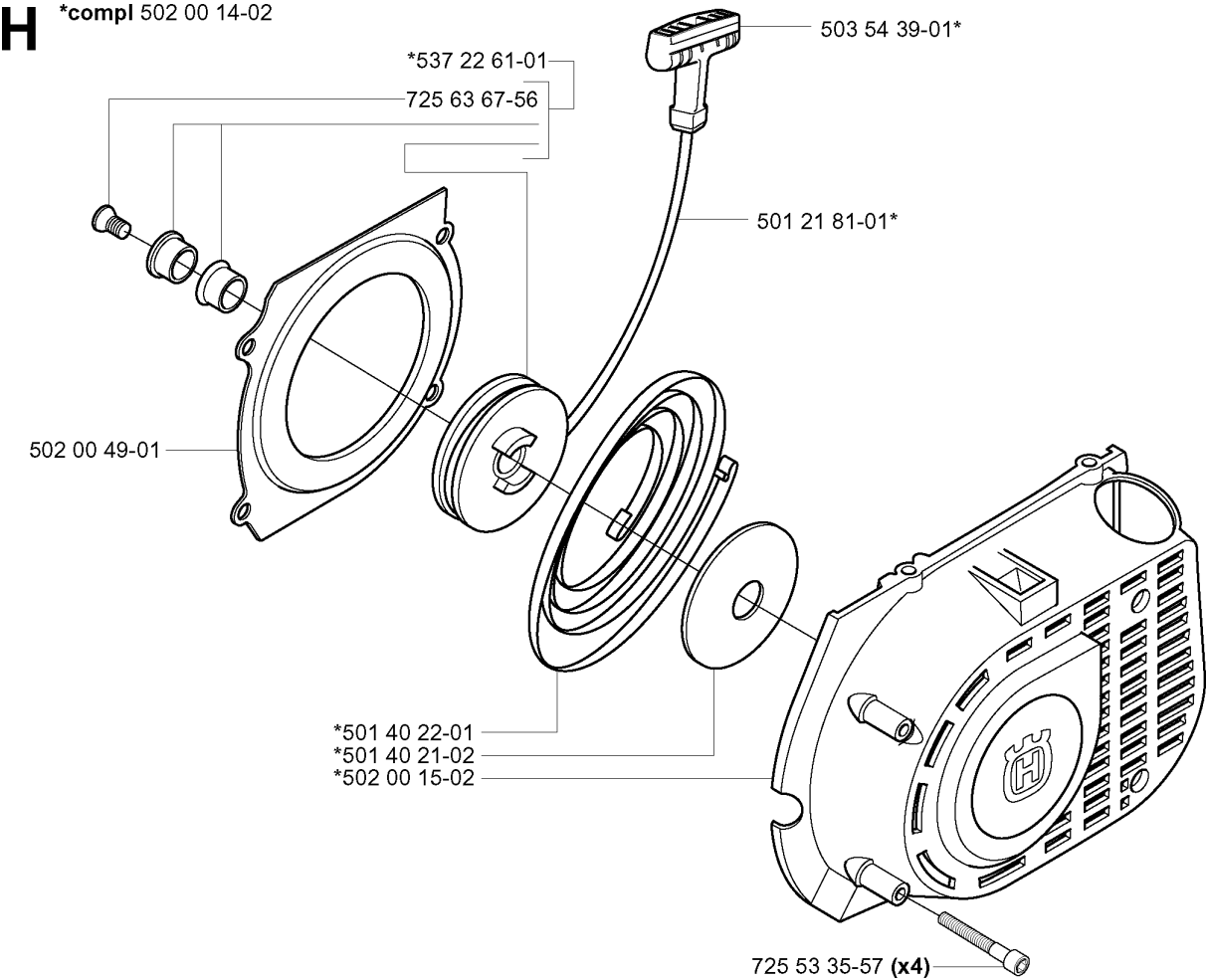
(U.S., CAN) 537 29 47-03



SHAFT

265 RX from 2014-12

Part No	Description	Remark	QTY KIT
502 25 25-02	TUBE ASSY		1
537 01 40-05	DRIVE SHAFT ASSY		1
537 29 47-03	LABEL	U.S, CAN	1
537 29 47-06	LABEL		1

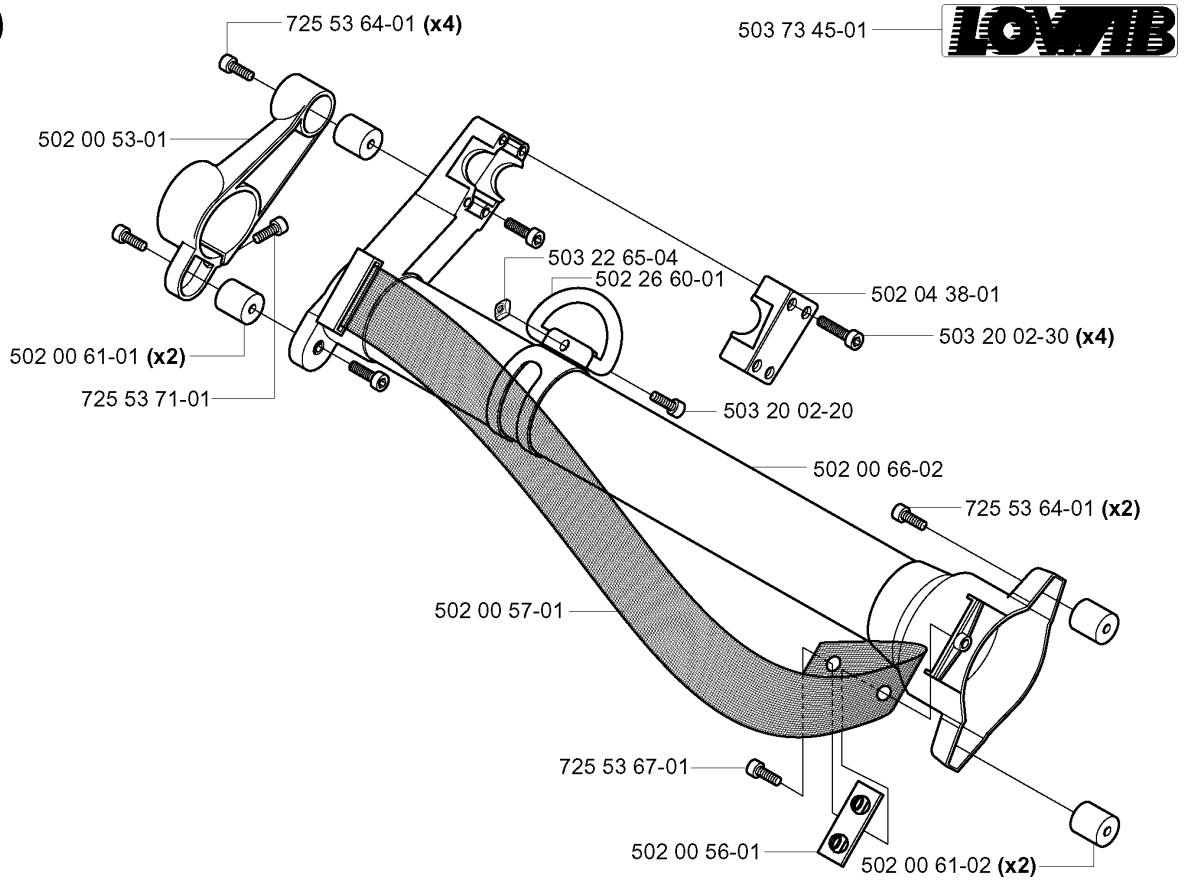


STARTER

265 RX from 2014-12

Part No	Description	Remark	QTY KIT
501 21 81-01	STARTER CORD ASSY		1
501 40 21-02	DÄMPSKIVA		1
501 40 22-01	RECOIL SPRING		1
502 00 14-02	STARTER ASSY		1
502 00 15-02	STARTER HOUSING		1
502 00 49-01	SPACING PLATE		1
503 54 39-01	STARTER HANDLE		1
537 22 61-01	BEARING KIT		1
725 53 35-57	SCREW IHSCM		4
725 63 67-56	SCREW IHCSFM		1

D



TOWER

265 RX from 2014-12

Part No	Description	Remark	QTY KIT
502 00 53-01	RETAINER		1
502 00 56-01	BELT TENSIONER		1
502 00 57-01	SADDLE GIRTH		1
502 00 61-01	RUBBER DAMPER		2
502 00 61-02	RUBBER DAMPER		2
502 00 66-02	SUSPENSION		1
502 04 38-01	HANDLEBAR BRACKET		1
502 26 60-01	SUSPENSION BAIL		1
503 20 02-20	SCREW IHSCFM		1
503 20 02-30	SCREW IHSCFM		4
503 22 65-04	SQUARE NUT		1
503 73 45-01	LABEL		1
725 53 64-01	SCREW IHSCM		4
725 53 64-01	SCREW IHSCM		2
725 53 67-01	SCREW		1
725 53 71-01	SCREW		1

Illustrated Parts List - IPL Update



Product Name(s)

265RX

Description of change

New spring with improved durability

	Serial number / Date	Remark
Introduced from	2014-08	

Page Title	Ref. no	New part no	Name	Excl. part no.	Remark
Harness	19	586 34 10-01	Spring	502 02 38-01	

Comments

Fully interchangeable