

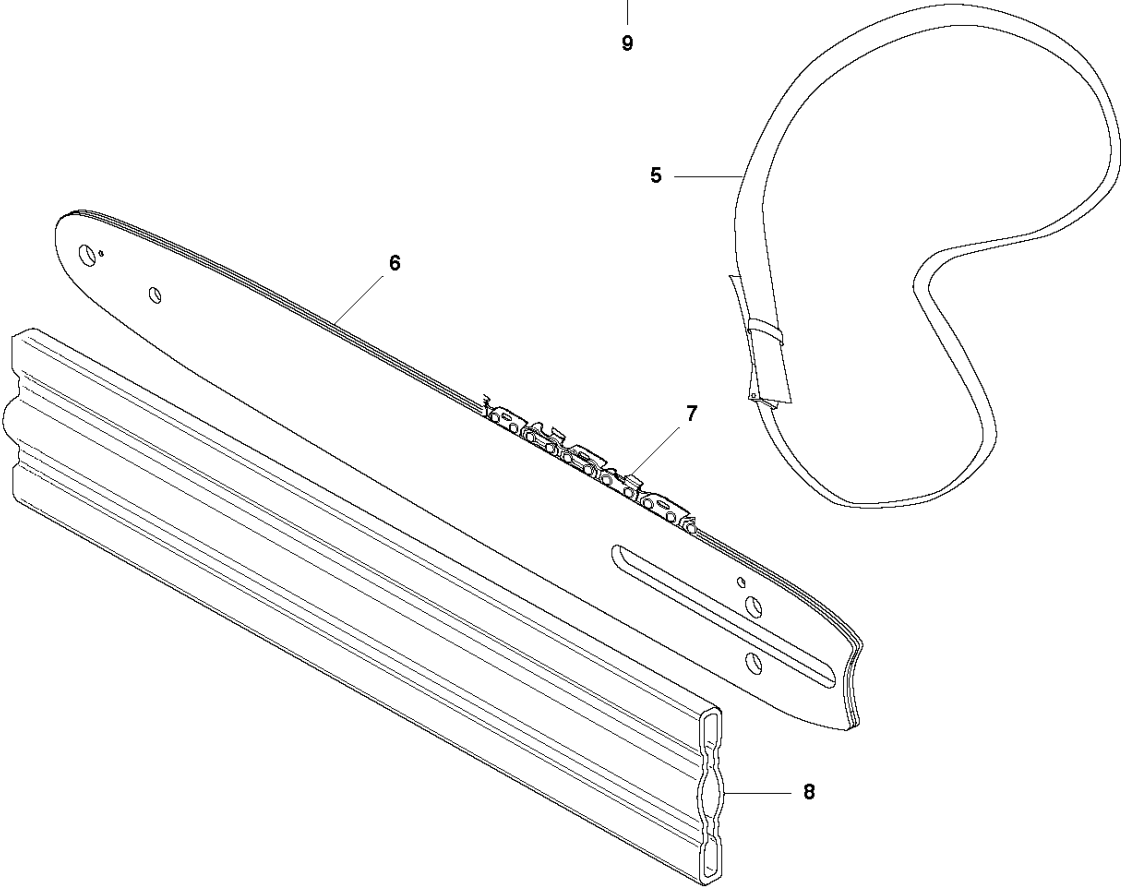
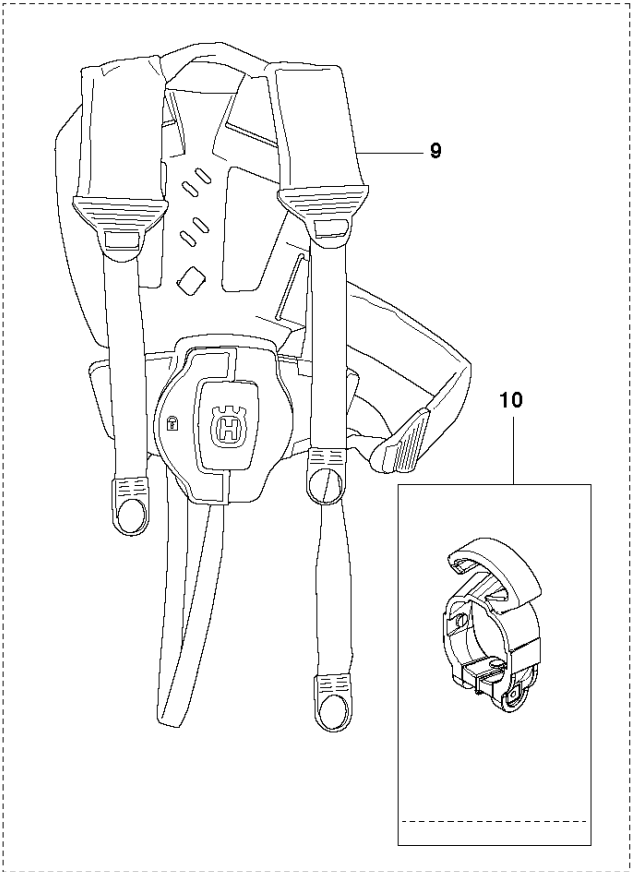
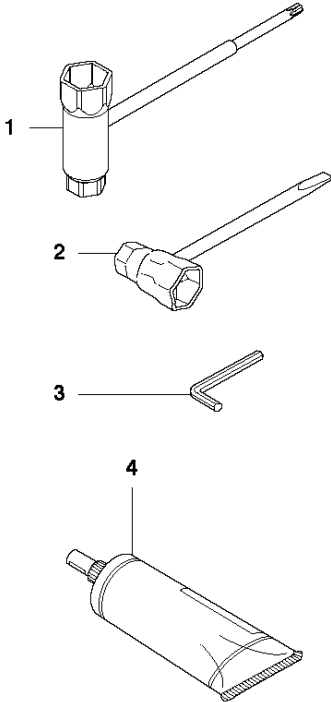


SPARE PARTS LIST

POLE PRUNER/POLE SAWS

525 P5S

N1 525P5S
ACCESSORIES

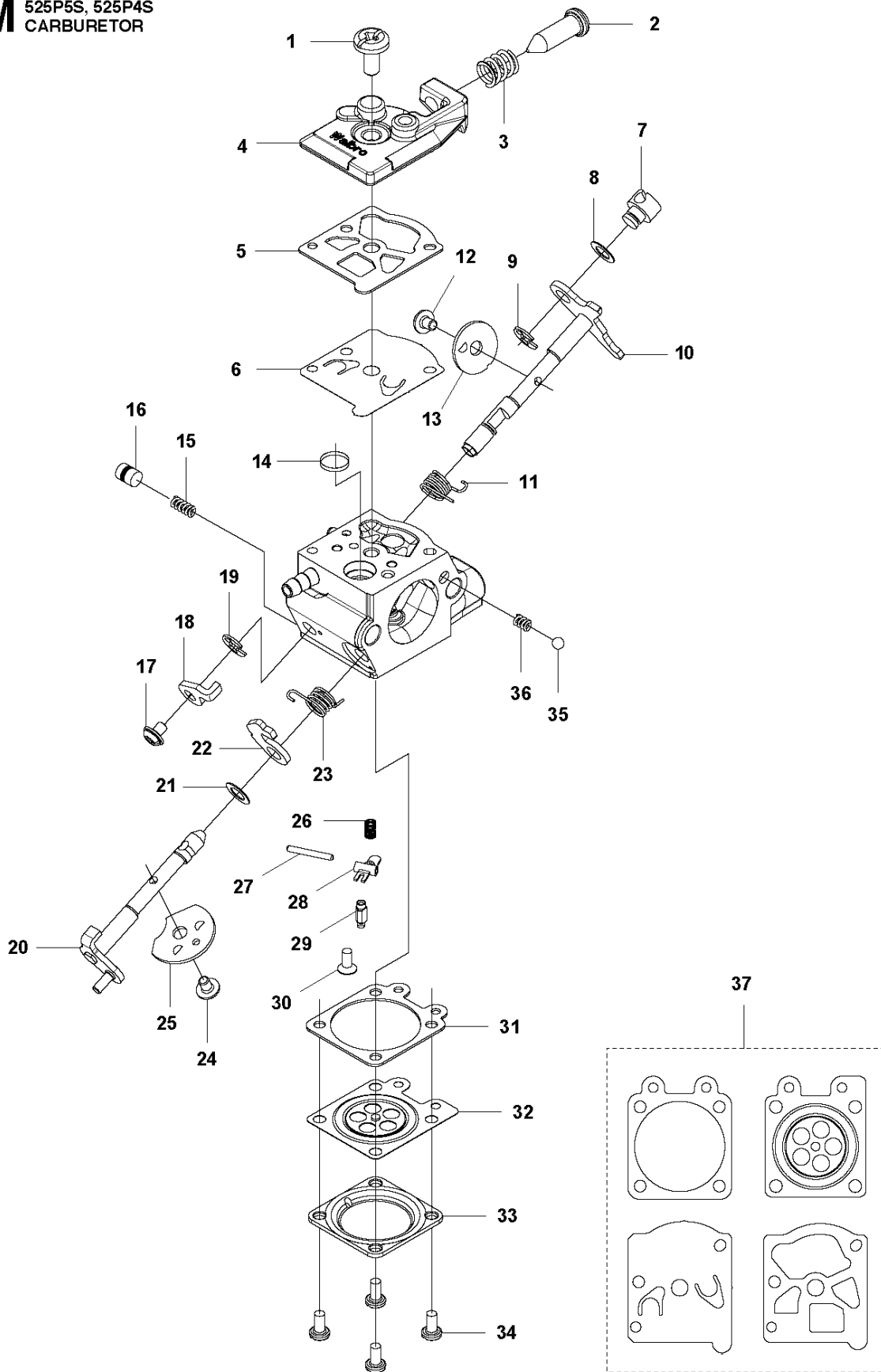


ACCESSORIES

525 P5S

| Ref | Part No | Description | Remark | QTY KIT |
|-----|--------------|--------------------|---|---------|
| 1 | 575 73 82-02 | COMBINATION WRENCH | | 1 |
| 2 | 501 69 17-01 | COMBINATION WRENCH | | 1 |
| 3 | 503 55 86-01 | SPANNER | | 1 |
| 4 | 579 06 49-01 | GREASE | 100 g | 1 |
| 5 | 537 21 62-03 | HARNESS | | 1 |
| 6 | 501 95 92-40 | BAR | "(10''")" | 1 |
| 6 | 501 95 92-45 | BAR | "(12''")" | 1 |
| 7 | 576 93 65-40 | SAW CHAIN | "(10''")" | 1 |
| 7 | 576 93 65-45 | SAW CHAIN | "(12''")" | 1 |
| 8 | 537 12 99-01 | BAR GUARD | | 1 |
| 9 | 578 44 99-01 | HARNESS | Balance flex | 1 |
| 10 | 579 83 41-01 | ACCESSORY BAG | To be used with Harness 578 44 99-01 | 1 |

M 525P5S, 525P4S
CARBURETOR

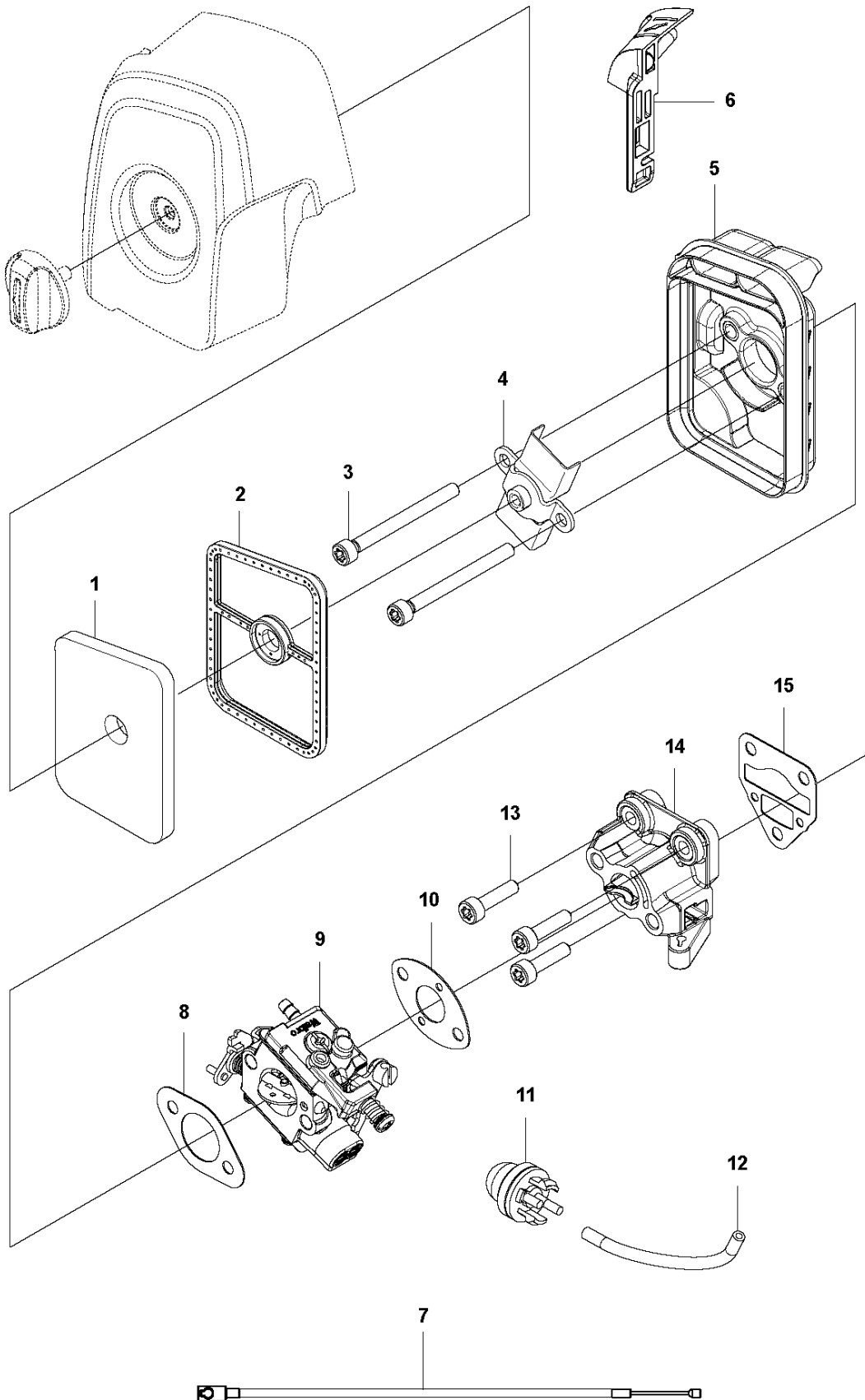


CARBURETOR

525 P5S

| Ref | Part No | Description | Remark | QTY KIT |
|-----|--------------|----------------|-------------------------------------|---------|
| 1 | 520 97 63-01 | SCREW | | 1 |
| 2 | 577 81 57-01 | SCREW | | 1 |
| 3 | 513 59 32-01 | SPRING | | 1 |
| 4 | 579 19 06-01 | COVER | | 1 |
| 5 | 520 95 48-01 | GASKET | | 1 |
| 6 | 502 21 36-01 | DIAPHRAGM PUMP | | 1 |
| 7 | 513 40 08-01 | SWIVEL | | 1 |
| 8 | 516 52 42-01 | WASHER | | 1 |
| 9 | 506 73 86-01 | RING | | 1 |
| 10 | 579 19 07-01 | SHAFT | | 1 |
| 11 | 577 81 55-01 | SPRING | | 1 |
| 12 | 520 75 98-01 | SCREW | | 1 |
| 13 | 520 97 86-01 | VALVE | | 1 |
| 14 | 520 95 70-01 | SCREEN | | 1 |
| 15 | 505 05 79-01 | SPRING | | 1 |
| 16 | 584 90 12-01 | PISTON ASSY | | 1 |
| 17 | 520 75 98-01 | SCREW | | 1 |
| 18 | 579 19 08-01 | LEVER | | 1 |
| 19 | 505 05 65-01 | RING | | 1 |
| 20 | 579 19 10-01 | SHAFT | | 1 |
| 21 | 516 52 42-01 | WASHER | | 1 |
| 22 | 584 90 13-01 | LEVER | | 1 |
| 23 | 579 19 11-01 | SPRING | | 1 |
| 24 | 520 75 98-01 | SCREW | | 1 |
| 25 | 581 15 49-01 | VALVE | | 1 |
| 26 | 578 89 54-01 | SPRING | | 1 |
| 27 | 520 97 74-01 | PIN | | 1 |
| 28 | 577 80 72-01 | LEVER | | 1 |
| 29 | 521 08 54-01 | VALVE.INLET | | 1 |
| 30 | 577 80 71-01 | SCREW | | 1 |
| 31 | 516 97 21-01 | GASKET | | 1 |
| 32 | 577 80 70-01 | DIAPHRAGM | | 1 |
| 33 | 514 18 92-01 | COVER | | 1 |
| 34 | 520 97 88-01 | SCREW ASSY | | 4 |
| 35 | 514 24 26-01 | BALL | | 1 |
| 36 | 514 24 33-01 | SPRING.CHOKE | | 1 |
| 37 | 580 68 48-01 | GASKET KIT | Coomopes by item 5, 6, 31 and 32 | 1 |

E 525P5S, 525P4S
CARBURETOR & AIR FILTER

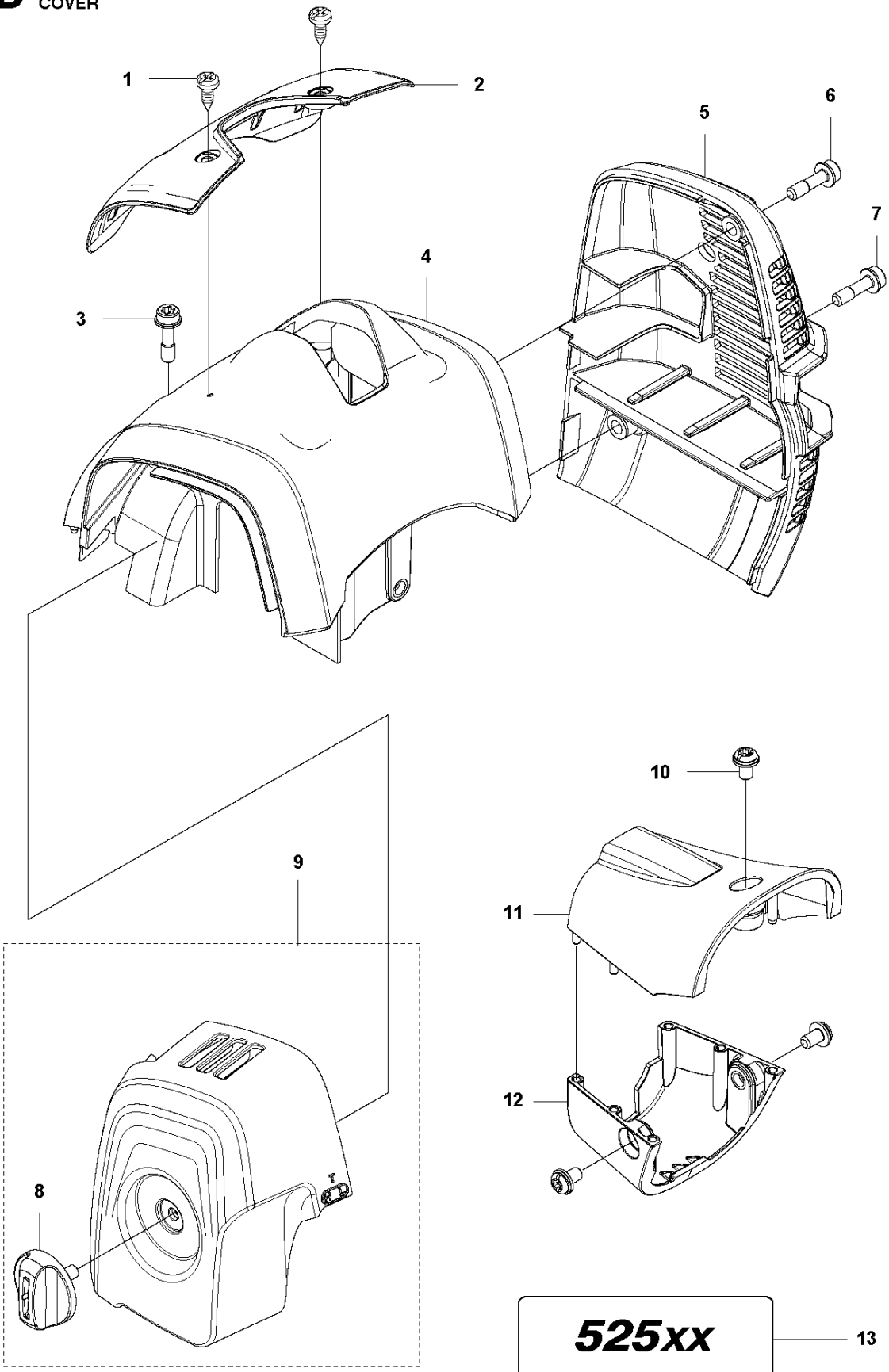


CARBURETOR & AIR FILTER

525 P5S

| Ref | Part No | Description | Remark | QTY KIT |
|-----|--------------|----------------|--------|---------|
| 1 | 581 04 74-01 | AIR FILTER | | 1 |
| 2 | 581 45 18-01 | AIR FILTER | | 1 |
| 3 | 580 46 72-01 | BOLT | | 2 |
| 4 | 580 43 79-01 | PLATE | | 1 |
| 5 | 581 04 70-01 | FILTER HOUSING | | 1 |
| 6 | 577 84 83-01 | CHOKE CONTROL | | 1 |
| 7 | 578 86 43-01 | THROTTLE CABLE | | 1 |
| 8 | 577 88 24-02 | GASKET | | 1 |
| 9 | 584 90 14-01 | CARBURETTOR | | 1 |
| 10 | 576 39 91-02 | GASKET | | 1 |
| 11 | 503 93 66-01 | PRIMER HOUSING | | 1 |
| 12 | 577 05 05-01 | PIPE | | 1 |
| 13 | 504 11 43-01 | SCREW | | 3 |
| 14 | 578 90 83-01 | INSULATOR | | 1 |
| 15 | 576 39 89-01 | GASKET | | 1 |

D 525P5S, 525P4S
COVER

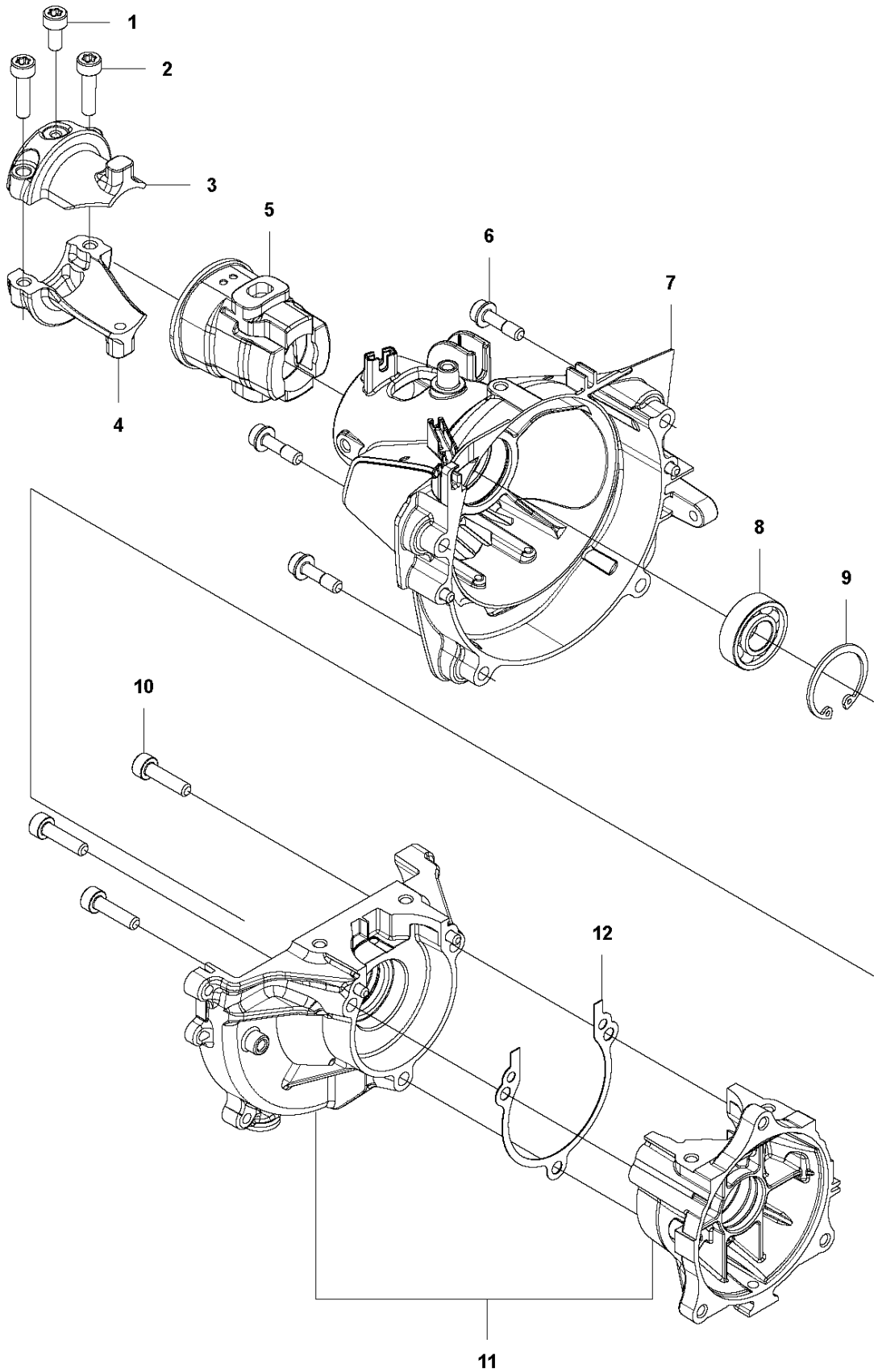


COVER

525 P5S

| Ref | Part No | Description | Remark | QTY | KIT |
|-----|--------------|-------------------|--------------------------|-----|-----|
| 1 | 503 21 35-12 | SCREW CCRPANT | | 2 | |
| 2 | 576 40 45-01 | ARM PROTECTION | | 1 | |
| 3 | 577 81 54-01 | BOLT | | 1 | |
| 4 | 588 26 18-01 | CYLINDER COVER | | 1 | |
| 5 | 576 40 47-01 | MUFFLER GUARD | | 1 | |
| 6 | 577 81 54-01 | BOLT | | 1 | |
| 7 | 577 81 54-01 | BOLT | | 1 | |
| 8 | 576 99 24-02 | KNOB | | 1 | 9 |
| 9 | 581 04 73-01 | FILTER COVER ASSY | | 1 | |
| 10 | 544 25 68-01 | SCREW | | 3 | |
| 11 | 577 84 82-01 | COVER | 524L, 525L, LS, LST, RJD | 1 | |
| 11 | 577 85 11-01 | COVER | RS | 1 | |
| 12 | 577 84 81-01 | COVER | 524L, 525L, LS, LST, RJD | 1 | |
| 12 | 577 85 10-01 | COVER | RS | 1 | |
| 13 | 579 44 58-06 | DECAL | 525L | 1 | |

G 525P5S, 525P4S
CRANKCASE

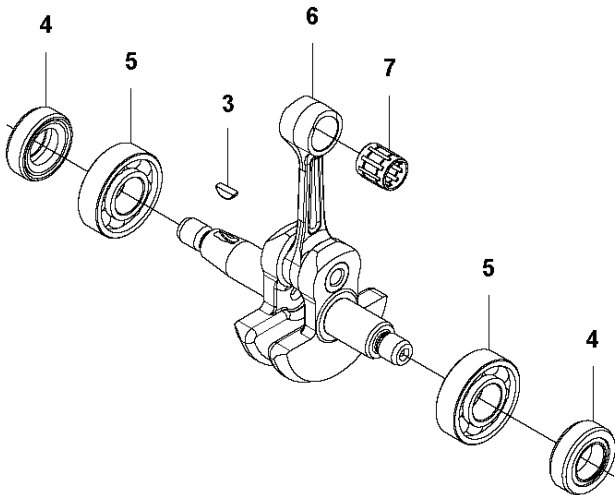
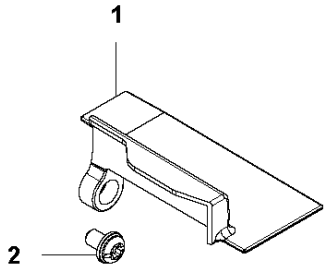


CRANKCASE

525 P5S

| Ref | Part No | Description | Remark | QTY KIT |
|-----|--------------|-------------|--------|---------|
| 1 | 529 26 81-01 | BOLT | | 1 |
| 2 | 577 94 20-01 | BOLT | | 2 |
| 3 | 576 42 07-02 | BRACKET | | 1 |
| 4 | 576 42 08-02 | BRACKET | | 1 |
| 5 | 576 42 05-01 | CUSHION | | 1 |
| 6 | 577 81 54-01 | BOLT | | 4 |
| 7 | 588 56 77-01 | HOUSING | | 1 |
| 8 | 525 95 32-01 | BEARING | | 1 |
| 9 | 506 60 99-01 | RING | | 1 |
| 10 | 504 11 43-01 | SCREW | | 3 |
| 11 | 581 30 86-02 | CRANKCASE | | 1 |
| 12 | 576 39 95-02 | GASKET | | 1 |

L 525P5S, 525P4S
CRANKSHAFT

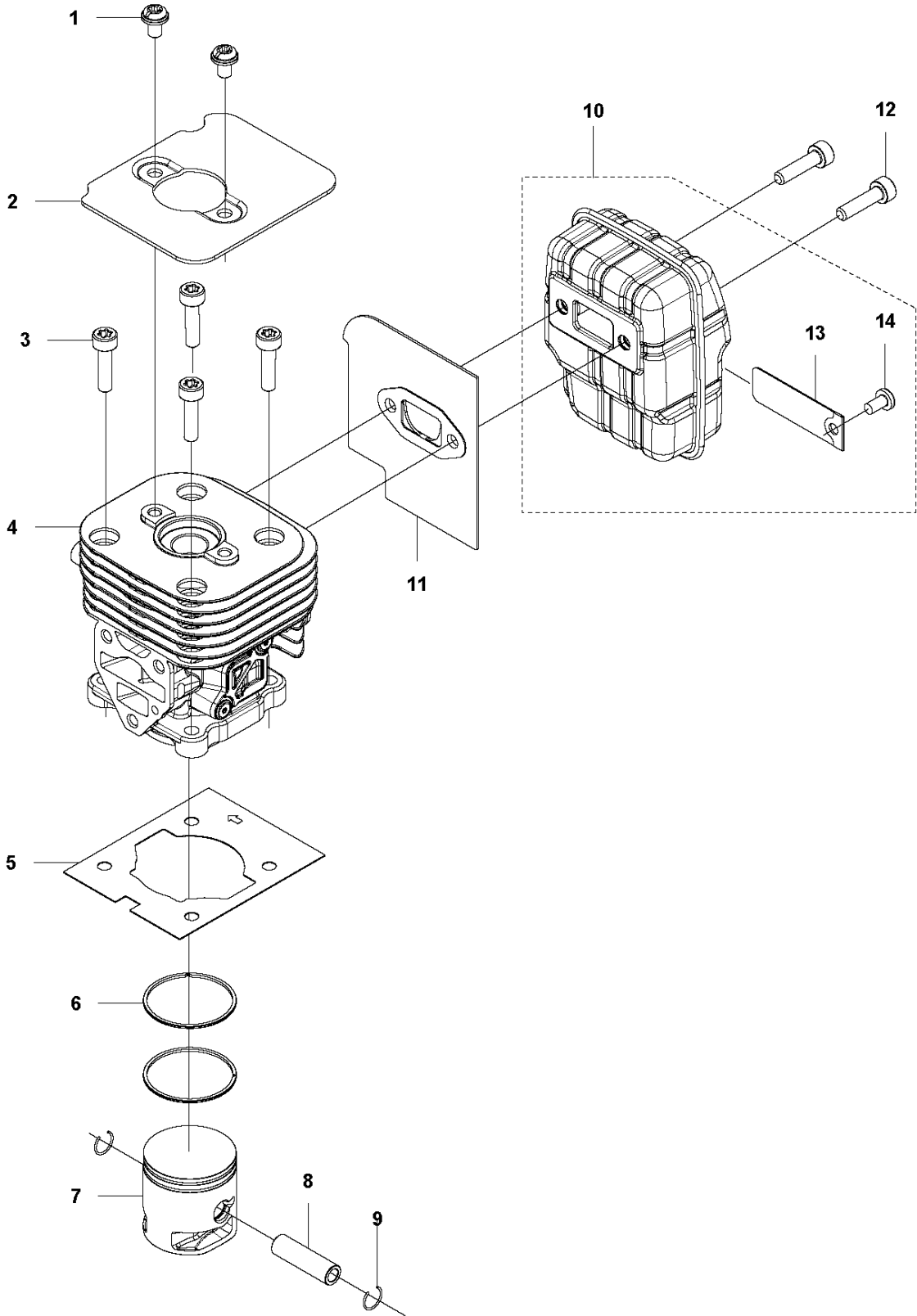


CRANKSHAFT

525 P5S

| Ref | Part No | Description | Remark | QTY KIT |
|-----|--------------|-------------|--------|---------|
| 1 | 576 40 46-01 | MUFFLER | | 1 |
| 2 | 544 25 68-01 | SCREW | | 1 |
| 3 | 506 68 94-01 | KEY | | 1 |
| 4 | 504 12 15-01 | SEALING | | 2 |
| 5 | 506 61 03-01 | BEARING | | 2 |
| 6 | 579 22 32-01 | CRANKSHAFT | | 1 |
| 7 | 576 40 27-01 | BEARING | | 1 |

K 525P5S, 525P4S
CYLINDER PISTON & MUFFLER

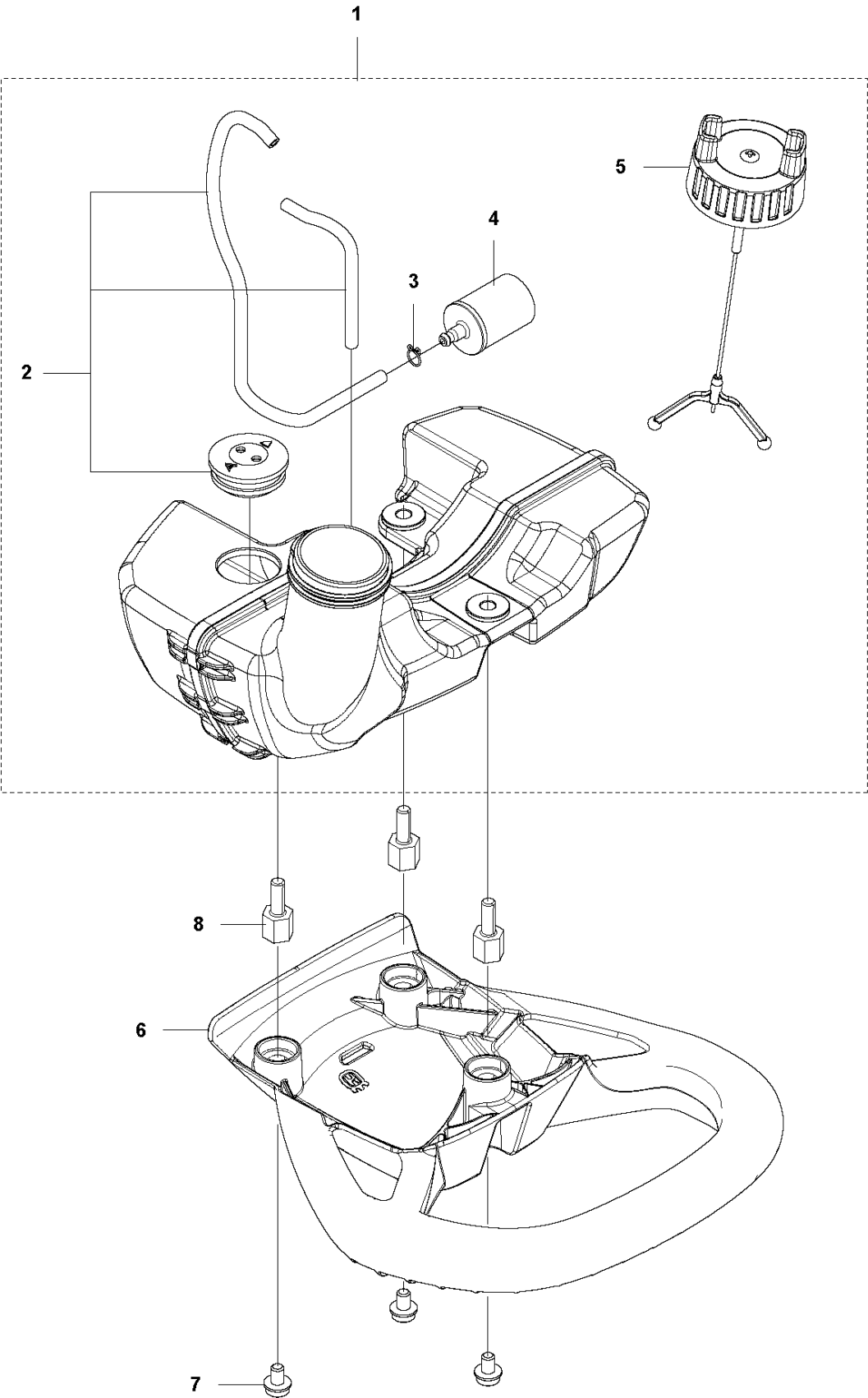


CYLINDER, PISTON & MUFFLER

525 P5S

| Ref | Part No | Description | Remark | QTY | KIT |
|-----|--------------|----------------|-------------------------|-----|-----|
| 1 | 544 25 68-01 | SCREW | | 2 | |
| 2 | 578 78 53-01 | PLATE | | 1 | |
| 3 | 504 11 43-01 | SCREW | | 4 | |
| 4 | 577 97 90-01 | CYLINDER | | 1 | |
| 5 | 576 39 87-02 | GASKET | | 1 | |
| 6 | 506 61 81-01 | RING | | 2 | |
| 7 | 577 91 74-01 | PISTON | | 1 | |
| 8 | 505 04 07-01 | PIN | | 1 | |
| 9 | 505 04 52-01 | RING | | 2 | |
| 10 | 585 24 86-01 | MUFFLER | | 1 | |
| 10 | 580 52 36-01 | MUFFLER ASSY | USA | 1 | |
| 10 | 585 03 29-01 | MUFFLER ASSY | Australia / New Zealand | 1 | |
| 11 | 578 40 81-01 | GASKET | | 1 | |
| 12 | 504 11 43-01 | SCREW | | 2 | |
| 13 | 580 51 44-01 | SPARK ARRESTER | | 1 | 10 |
| 14 | 729 57 74-05 | SCREW CRPANT | | 1 | 10 |

H 525P5S, 525P4S
FUEL TANK

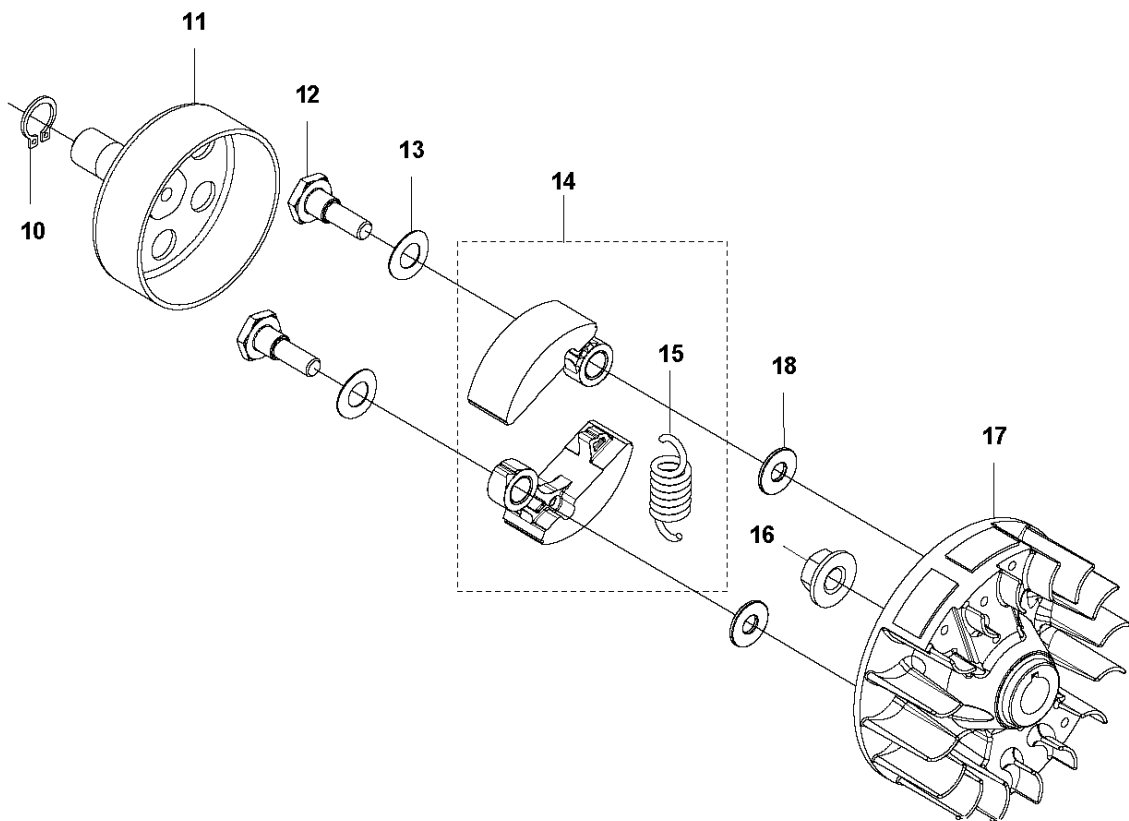
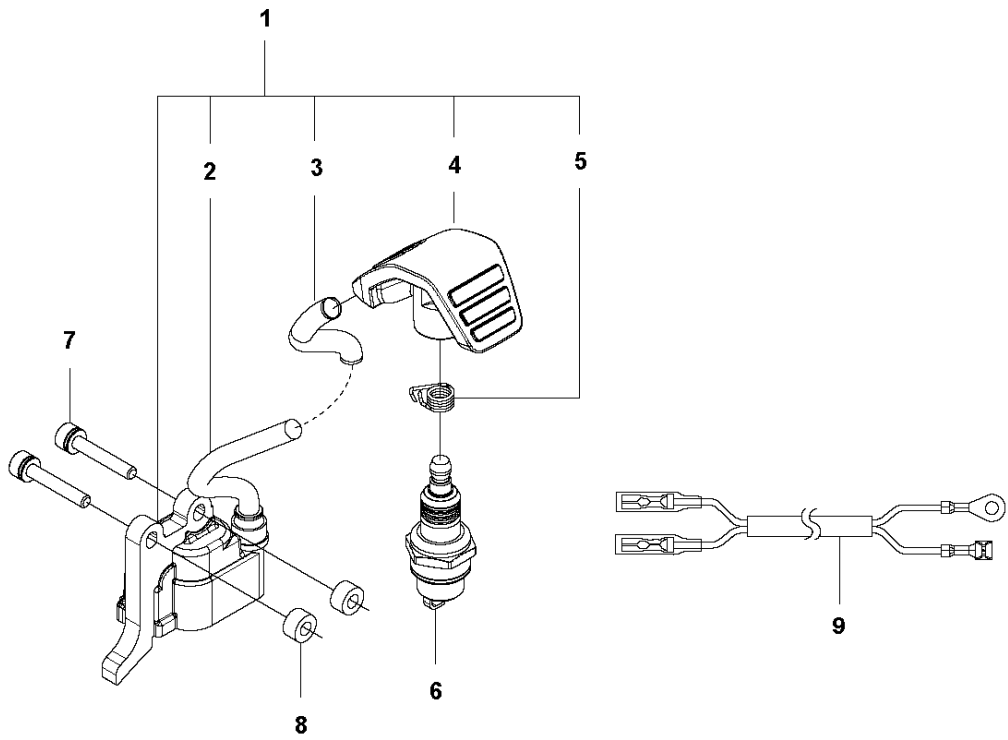


FUEL TANK

525 P5S

| Ref | Part No | Description | Remark | QTY | KIT |
|-----|--------------|---------------|-------------------------|-----|-----|
| 1 | 576 40 51-01 | FUEL TANK | | 1 | |
| 1 | 576 40 51-02 | FUEL TANK | Australia / New Zealand | 1 | |
| 2 | 579 21 03-02 | HOSE ASSY | | 1 | 1 |
| 2 | 577 50 99-03 | PIPE | Australia / New Zealand | 1 | |
| 3 | 506 70 70-01 | CLIP | | 1 | 1 |
| 4 | 503 44 32-01 | FILTER | | 1 | 1 |
| 5 | 579 64 57-03 | TANK CAP | | 1 | 1 |
| 6 | 587 36 59-01 | BUMPER | | 1 | |
| 7 | 525 75 51-08 | SCREW ITXSCFM | | 3 | |
| 8 | 587 61 56-01 | STUD SCREW | | 3 | |

J 525P5S, 525P4S
IGNITION SYSTEM & CLUTCH

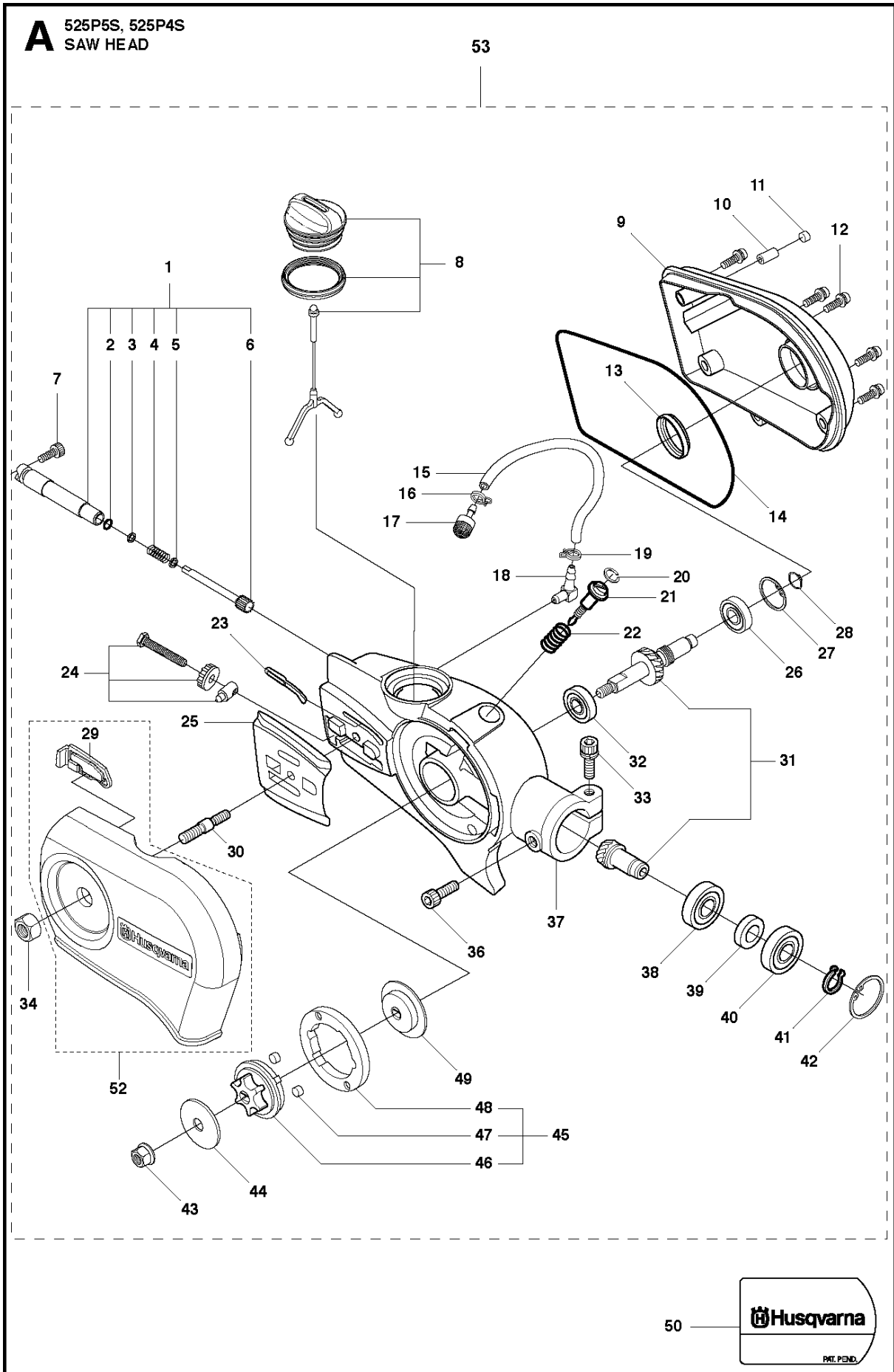


IGNITION SYSTEM & CLUTCH

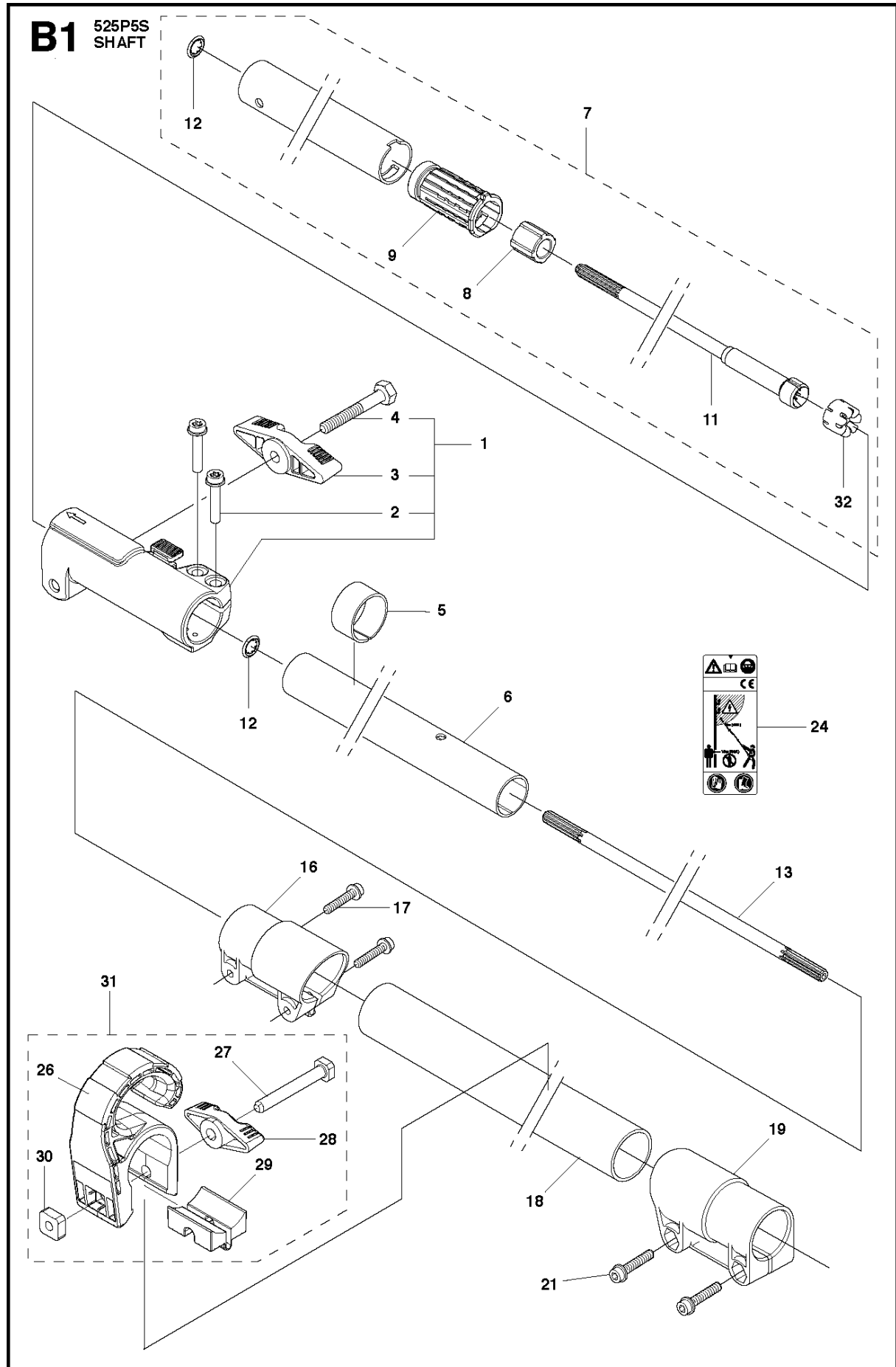
525 P5S

| Ref | Part No | Description | Remark | QTY KIT | |
|-----|--------------|---------------------|---------------|---------|----|
| 1 | 588 14 15-01 | IGNITION COIL | | 1 | |
| 2 | 584 82 66-01 | IGNITION CABLE | | 1 | 1 |
| 3 | 579 59 07-01 | TUBE | | 1 | 1 |
| 4 | 586 10 72-01 | SPARK PLUG CAP | | 1 | 1 |
| 5 | 580 63 48-01 | SPRING | | 1 | 1 |
| 6 | 584 96 81-01 | SPARK PLUG | BPMR-8Y : NGK | 1 | |
| 7 | 521 51 58-01 | BOLT | | 2 | |
| 8 | 521 76 97-01 | SPACER | | 2 | |
| 9 | 577 85 17-01 | SHORT CIRCUIT CABLE | | 1 | |
| 10 | 516 12 41-01 | RING | | 1 | |
| 11 | 581 14 20-01 | CLUTCH DRUM | | 1 | |
| 12 | 513 18 96-01 | SCREW | | 2 | |
| 13 | 521 75 82-01 | WASHER | | 2 | |
| 14 | 577 05 28-01 | CLUTCH ASSY | | 1 | |
| 15 | 576 40 07-01 | CLUTCH SPRING | | 1 | 14 |
| 16 | 504 11 80-01 | NUT | | 1 | |
| 17 | 578 96 78-01 | FLYWHEEL | | 1 | |
| 18 | 505 05 44-01 | WASHER | | 2 | |

A 525P5S, 525P4S
SAW HEAD



| Ref | Part No | Description | Remark | QTY | KIT |
|-----|--------------|--------------------|--------|-----|--------|
| 1 | 537 29 92-01 | OIL PUMP ASSY | | 1 | 53 |
| 2 | 740 42 03-00 | O-RING | | 1 | 53 |
| 3 | 503 23 00-16 | WASHER | | 1 | 53 |
| 4 | 503 18 49-01 | SPRING | | 1 | 53 |
| 5 | 503 23 00-16 | WASHER | | 1 | 53 |
| 6 | 503 80 83-02 | PUMP PISTON | | 1 | 53 |
| 7 | 725 53 27-55 | SCREW IHSCM | | 1 | 53 |
| 8 | 537 28 15-02 | TANK CAP ASSY | | 1 | 53 |
| 9 | 537 22 75-01 | HUB CAP | | 1 | 53 |
| 10 | 537 04 03-01 | VALVE | | 1 | 53 |
| 11 | 503 98 13-01 | PLUG | | 1 | 53 |
| 12 | 725 53 29-55 | SCREW IHSCM | | 5 | 53 |
| 13 | 537 33 01-01 | SEALING | | 1 | 53 |
| 14 | 537 29 10-01 | O-RING | | 1 | 53 |
| 15 | 537 29 11-01 | HOSE | | 1 | 53 |
| 16 | 537 37 15-01 | HOSE CLAMP | | 1 | 53 |
| 17 | 504 71 00-03 | OIL PLUMMET | | 1 | 53 |
| 18 | 504 34 00-04 | FITTING | | 1 | 53 |
| 19 | 537 37 15-01 | HOSE CLAMP | | 1 | 53 |
| 20 | 537 29 09-01 | CIRCLIP | | 1 | 53 |
| 21 | 537 05 68-01 | ADJUSTER | | 1 | 53 |
| 22 | 503 97 82-01 | SPRING | | 1 | 53 |
| 23 | 537 33 17-01 | OIL DUCT | | 1 | 53 |
| 24 | 537 22 82-01 | CHAIN TENSIONER | | 1 | 53 |
| 25 | 537 19 42-01 | CHAIN GUIDE PLATE | | 1 | 53 |
| 26 | 738 21 00-04 | BALL BEARING | | 1 | 53 |
| 27 | 735 31 27-10 | CIRCLIP | | 1 | 53 |
| 28 | 735 31 12-00 | CIRCLIP | | 1 | 53 |
| 29 | 575 55 37-01 | SEALING PLATE | | 1 | 52, 53 |
| 30 | 576 29 30-01 | BAR BOLT | M7-M8 | 1 | 53 |
| 31 | 537 29 90-01 | GEAR WHEEL KIT | | 1 | 53 |
| 32 | 738 21 99-04 | BALL BEARING | | 1 | 53 |
| 33 | 725 53 33-55 | SCREW IHSCM | | 1 | 53 |
| 34 | 731 23 18-01 | HEXAGON NUT | | 1 | 53 |
| 36 | 725 53 27-55 | SCREW IHSCM | | 1 | 53 |
| 37 | 537 22 74-01 | HOUSING | | 1 | 53 |
| 38 | 738 21 99-04 | BALL BEARING | | 1 | 53 |
| 39 | 537 24 77-01 | SPACER | | 1 | 53 |
| 40 | 738 21 99-04 | BALL BEARING | | 1 | 53 |
| 41 | 735 31 11-00 | CIRCLIP | | 1 | 53 |
| 42 | 735 31 25-10 | CIRCLIP | | 1 | 53 |
| 43 | 731 71 16-51 | HEXAGON NUT FLANGE | | 1 | 53 |
| 44 | 503 23 00-68 | WASHER | | 1 | 53 |
| 45 | 537 27 18-01 | FLYWHEEL | | 1 | 53 |
| 46 | 537 27 15-01 | HUB | | 1 | 53 |
| 47 | 537 27 17-01 | RUBBER BUSHING | | 2 | 53 |
| 48 | 537 27 14-01 | RING | | 1 | 53 |
| 49 | 537 27 16-01 | HUB CAP | | 1 | 53 |
| 50 | 537 23 00-01 | LABEL | | 1 | |
| 52 | 575 54 18-01 | CHAIN GUARD | | 1 | 53 |
| 53 | 537 24 71-01 | CUTTING HEAD ASSY | | 1 | |

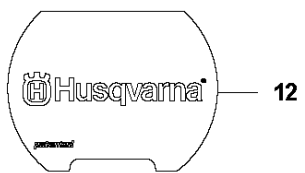
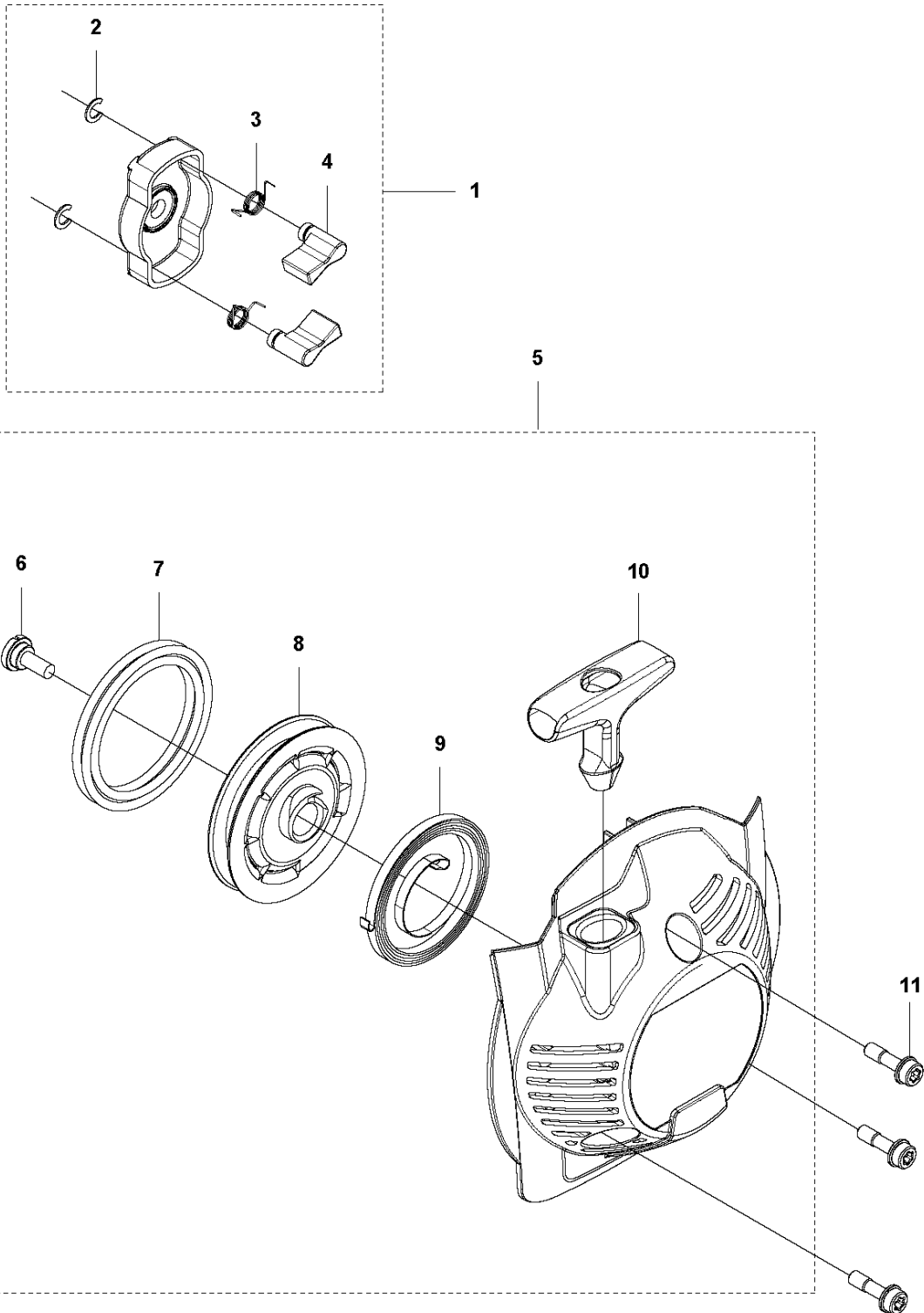


SHAFT

525 P5S

| Ref | Part No | Description | Remark | QTY KIT | |
|-----|--------------|----------------------|-------------------|---------|----|
| 1 | 576 28 26-01 | CLAMPING SLEEVE ASSY | | 1 | |
| 2 | 525 75 51-04 | SCREW ITXSCFM | | 2 | 1 |
| 3 | 576 28 24-01 | KNOB | | 1 | 1 |
| 4 | 725 23 76-51 | SCREW EHHM | | 1 | 1 |
| 5 | 537 24 51-01 | SPACER | | 1 | |
| 6 | 587 96 75-02 | TUBE ASSY | Ø=24 mm L=1650 mm | 1 | |
| 7 | 587 97 21-02 | TUBE ASSY | Ø=24 mm L=1100 mm | 1 | |
| 8 | 503 78 52-02 | SUPPORTING BEARING | | 1 | 7 |
| 9 | 587 41 46-01 | PLUG | | 1 | 7 |
| 11 | 587 41 17-02 | DRIVE SHAFT | Ø=7 mm L=1114 mm | 1 | 7 |
| 12 | 735 58 08-10 | LOCKWASHER | | 1 | 7 |
| 13 | 581 16 17-03 | DRIVE SHAFT | | | |
| 16 | 537 27 29-01 | COMPRESSION SLEEVE | | 1 | |
| 17 | 503 21 06-22 | SCREW IHST | | 2 | |
| 18 | 537 24 68-02 | PIPE | Ø=30 mm L=1230 mm | 1 | |
| 19 | 537 27 29-01 | COMPRESSION SLEEVE | | 1 | |
| 21 | 503 21 06-22 | SCREW IHST | | 2 | |
| 24 | 585 94 40-01 | DECAL | | 1 | |
| 26 | 504 70 21-01 | LOOP | | 1 | 31 |
| 27 | 725 23 79-51 | SCREW EHHM | | 1 | 31 |
| 28 | 502 20 38-01 | KNOB | | 1 | 31 |
| 29 | 504 69 87-01 | SPACING BLOCK | | 1 | 31 |
| 30 | 502 19 71-01 | SQUARE NUT | | 1 | 31 |
| 31 | 522 42 70-01 | ACCESSORY BAG | | 1 | |
| 32 | 583 93 83-01 | CLIP | | 1 | |

F 525P5S, 525P4S
STARTER

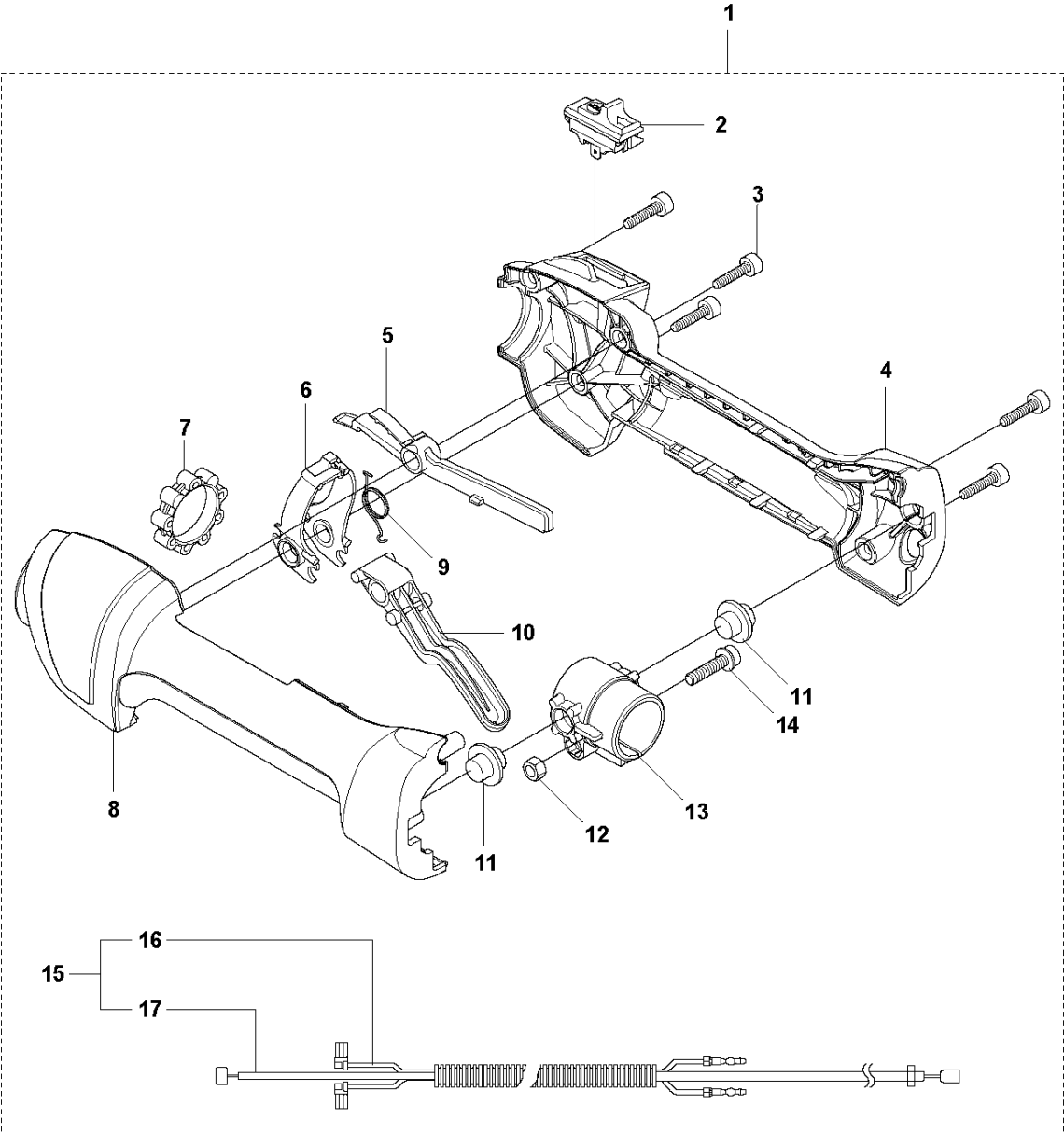


STARTER

525 P5S

| Ref | Part No | Description | Remark | QTY | KIT |
|-----|--------------|----------------|--------|-----|-----|
| 1 | 581 14 65-01 | STARTER PULLEY | | 1 | |
| 2 | 521 60 04-01 | E-RING | | 2 | 1 |
| 3 | 521 60 03-01 | SPRING | | 2 | 1 |
| 4 | 521 60 02-01 | RATCHET | | 2 | 1 |
| 5 | 578 99 25-01 | STARTER | | 1 | |
| 6 | 506 61 30-01 | SCREW | | 1 | 5 |
| 7 | 579 06 46-01 | ROPE | | 1 | 5 |
| 8 | 579 06 48-01 | STARTER PULLEY | | 1 | 5 |
| 9 | 504 11 50-01 | SPRING.SPIRAL | | 1 | 5 |
| 10 | 575 48 95-01 | STARTER HANDLE | | 1 | 5 |
| 11 | 577 81 54-01 | BOLT | | 3 | |
| 12 | 579 36 96-01 | DECAL | | 1 | |

C 525P5S, 525P4S
THROTTLE CONTROLS



THROTTLE CONTROLS

525 P5S

| Ref | Part No | Description | Remark | QTY | KIT |
|-----|--------------|---------------------|--------------------------|-----|-------|
| 1 | 578 27 95-01 | THROTTLE CONTROL | L, LS, LST, RJX | 1 | |
| 1 | 578 27 95-02 | THROTTLE CONTROL | LK, RJD, (LST Australia) | 1 | |
| 2 | 537 41 90-01 | SWITCH | | 1 | 1 |
| 3 | 575 96 05-01 | SCREW IH SCT | | 5 | 1 |
| 4 | 544 23 84-01 | HANDLE HALF | L, LS, LST, RJX | 1 | 1 |
| 4 | 544 10 02-02 | HANDLE HALF | LK, RJD, (LST Australia) | 1 | 1 |
| 5 | 503 87 80-01 | THROTTLE LOCKOUT | | 1 | 1 |
| 6 | 503 91 81-01 | THROTTLE LEVER | | 1 | 1 |
| 7 | 503 96 14-01 | ABSORBER | | 1 | 1 |
| 8 | 544 23 85-01 | HANDLE HALF | L, LS, LST, RJX | 1 | 1 |
| 8 | 544 10 03-02 | HANDLE HALF | LK, RJD, (LST Australia) | 1 | 1 |
| 9 | 544 10 08-01 | RECOIL SPRING | | 1 | 1 |
| 10 | 503 87 79-03 | THROTTLE TRIGGER | | 1 | 1 |
| 11 | 544 10 17-03 | DAMPER | L, LS, LST, RJX | 2 | 1 |
| 11 | 544 10 17-02 | DAMPER | LK, RJD, (LST Australia) | 2 | 1 |
| 12 | 731 23 14-01 | HEXAGON NUT | | 1 | 1 |
| 13 | 544 11 21-01 | RETAINER | | 1 | 1 |
| 14 | 506 68 90-01 | BOLT | | 1 | 1 |
| 15 | 578 27 96-01 | WIRING | | 1 | 1 |
| 16 | 502 53 16-01 | SHORT CIRCUIT CABLE | | 1 | 1, 15 |
| 17 | 578 86 78-01 | THROTTLE CABLE | | 1 | 1, 15 |

Illustrated Parts List - IPL Update



Product Name(s)

525P5S

Description of change

Correction – Air filter and Filter housing.

Comments

No design change.

Introduced from

| Serial number / Date | Remark |
|-----------------------------|---------------|
| 2016-11 | |

IPL updates

| Page title | Ref. no | New part no | Name | Excl. part no. | Remark |
|-------------------------|----------------|--------------------|----------------|-----------------------|--------------------------|
| Carburetor & Air filter | 1 | 581 04 74-01 | Air filter | | Corrected article number |
| Carburetor & Air filter | 2 | 581 45 18-01 | Air filter | | Corrected article number |
| Carburetor & Air filter | 5 | 581 04 70-01 | Filter Housing | | Corrected article number |