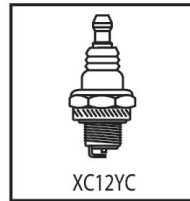
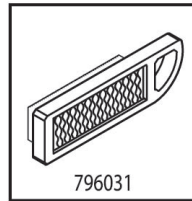


ILLUSTRATED PARTS LIST

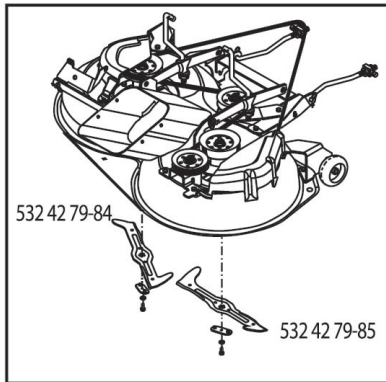
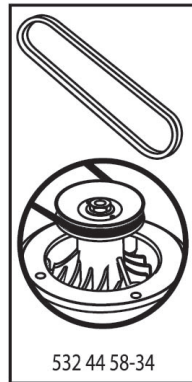
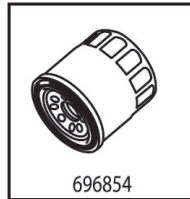
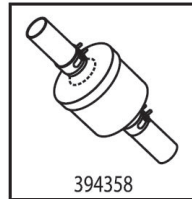
MODEL NO. 96051012601

CUSTOMER CATALOG NO. TC 238

PRODUCT NO. 960 51 01-26

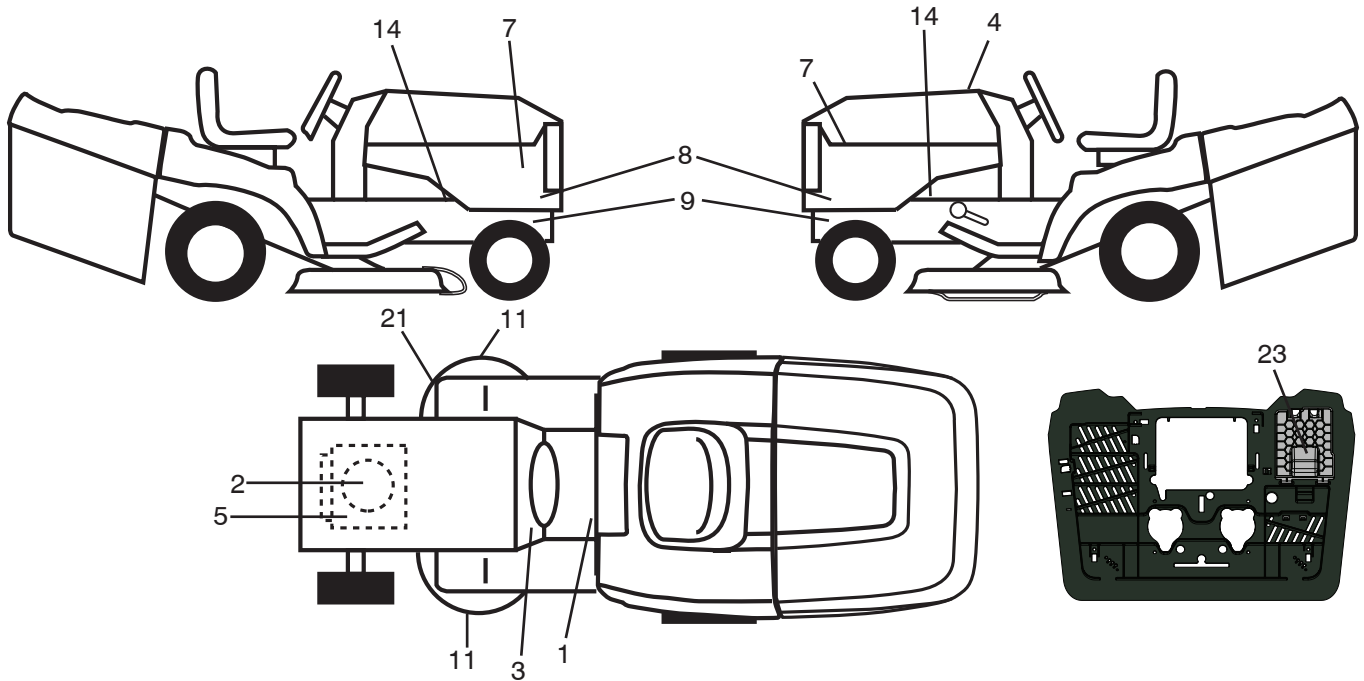


47



587456601

**TRACTOR - - MODEL NO. TC 238 (96051012601), PRODUCT NO. 960 51 01-26
DECALS 27**



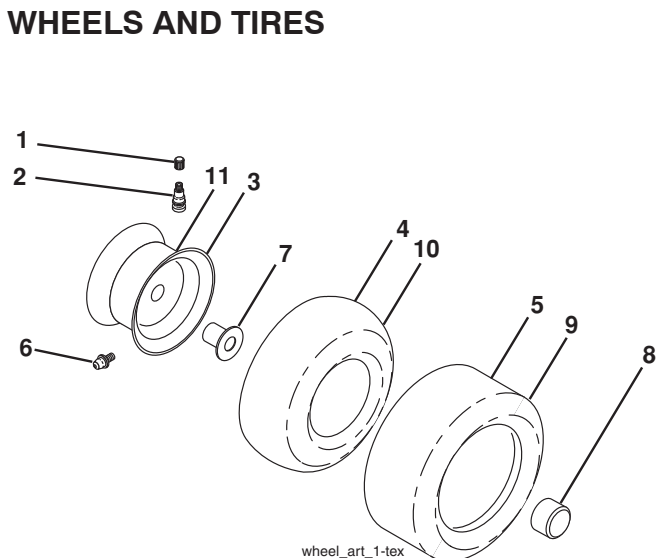
**KEY PART
NO. NO.**

KEY PART NO.	PART NO.	DESCRIPTION
1	581 57 83-01	Decal Warning Sym. CE
2	581 57 97-01	Decal Warning Eng. Sym.
3	586 06 62-01	Decal Snowflake
4	587 45 66-01	Decal Replacement
5	587 38 52-01	Decal Engine
7	581 62 73-01	Decal Hood
8	587 55 19-01	Decal Side Panel
9	581 57 98-01	Decal Warning Ser/Fire
11	581 57 91-01	Decal Mower Cut Finger Symbol
14	581 57 96-01	Decal Chassis Hot Muffler

**KEY PART
NO. NO.**

KEY PART NO.	PART NO.	DESCRIPTION
21	532 44 11-89	Decal Belt Schematic
23	532 44 46-19	Decal, Bypass
--	588 82 14-01	Decal Inst. Mulch Plug
--	532 44 27-44	Decal Battery Door Tex
--	532 44 14-09	Pad, Footrest Pad LH
--	532 44 14-10	Pad, Footrest Pad RH
--	115 77 17-40	Manual Operator's (Euro)
--	115 77 18-50	Manual Operator's (Scan)
--	115 77 19-20	Manual Operator's (E-Bloc)
--	115 77 20-30	Manual Operator's (Baltic)

WHEELS AND TIRES



**KEY PART
NO. NO.**

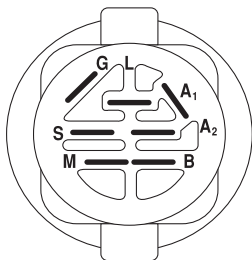
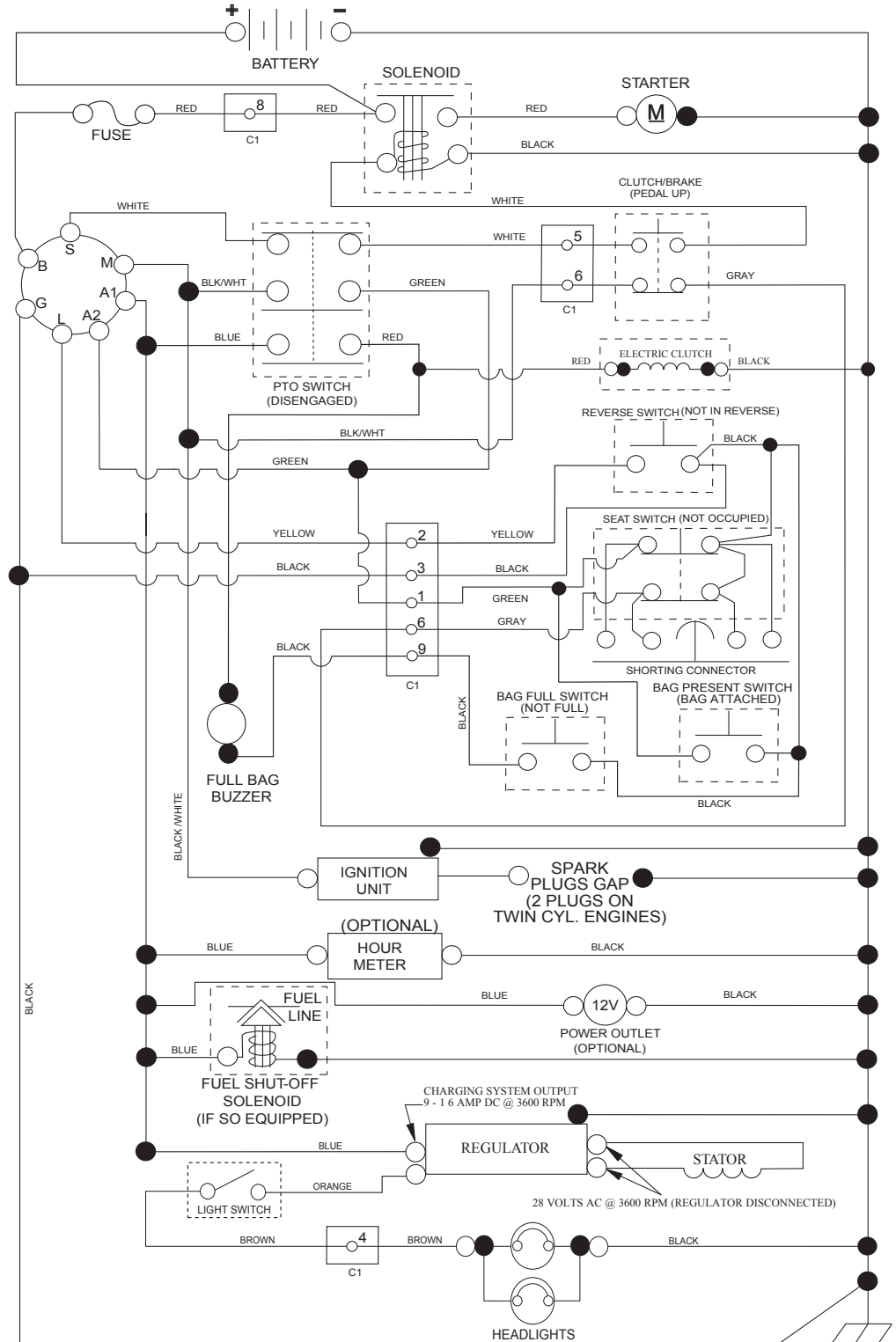
KEY PART NO.	PART NO.	DESCRIPTION
1	532 05 91-92	Cap Valve Tire
2	532 06 51-39	Stem Valve
3	532 13 83-36	Rim Front
4	532 05 99-04	Tube Front (Service Item Only)
5	532 10 62-22	Tire Front 15 x 6-6
6	532 12 49-57	Fitting Grease (Front Wheel Only)
7	532 12 49-59	Bearing Flange (Front Wheel Only)
8	532 17 50-39	Cap Axle Blk 1 50 x 1 00
9	532 42 05-31	Tire Rear 18 x 9.5-8
10	532 12 49-26	Tube Rear (Service Item Only)
11	532 13 83-37	Rim Asm 8" Rear
--	532 14 43-34	Sealant, Tire (10 oz. Tube)

NOTE: All component dimensions given in U.S. inches
1 inch = 25.4 mm

TRACTOR - - MODEL NO. TC 238 (96051012601), PRODUCT NO. 960 51 01-26

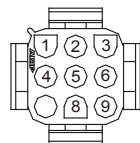
SCHEMATIC **38**

SCH19

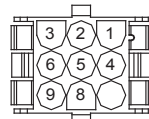


IGNITION SWITCH

POSITION	CIRCUIT "MAKE"
OFF	M+G+A1
RUN/OVERRIDE	B+A1
RUN	B+A1 L+A2
START	B + S + A1



CHASSIS HARNESS CONNECTOR (C1) (MATING SIDE)



DASH HARNESS CONNECTOR (C1) (MATING SIDE)

WIRING INSULATED CLIPS
NOTE: IF WIRING INSULATED CLIPS WERE REMOVED FOR SERVICING OF UNIT, THEY SHOULD BE RE-INSTALLED TO PROPERLY SECURE YOUR WIRING.

NON-REMOVABLE CONNECTIONS

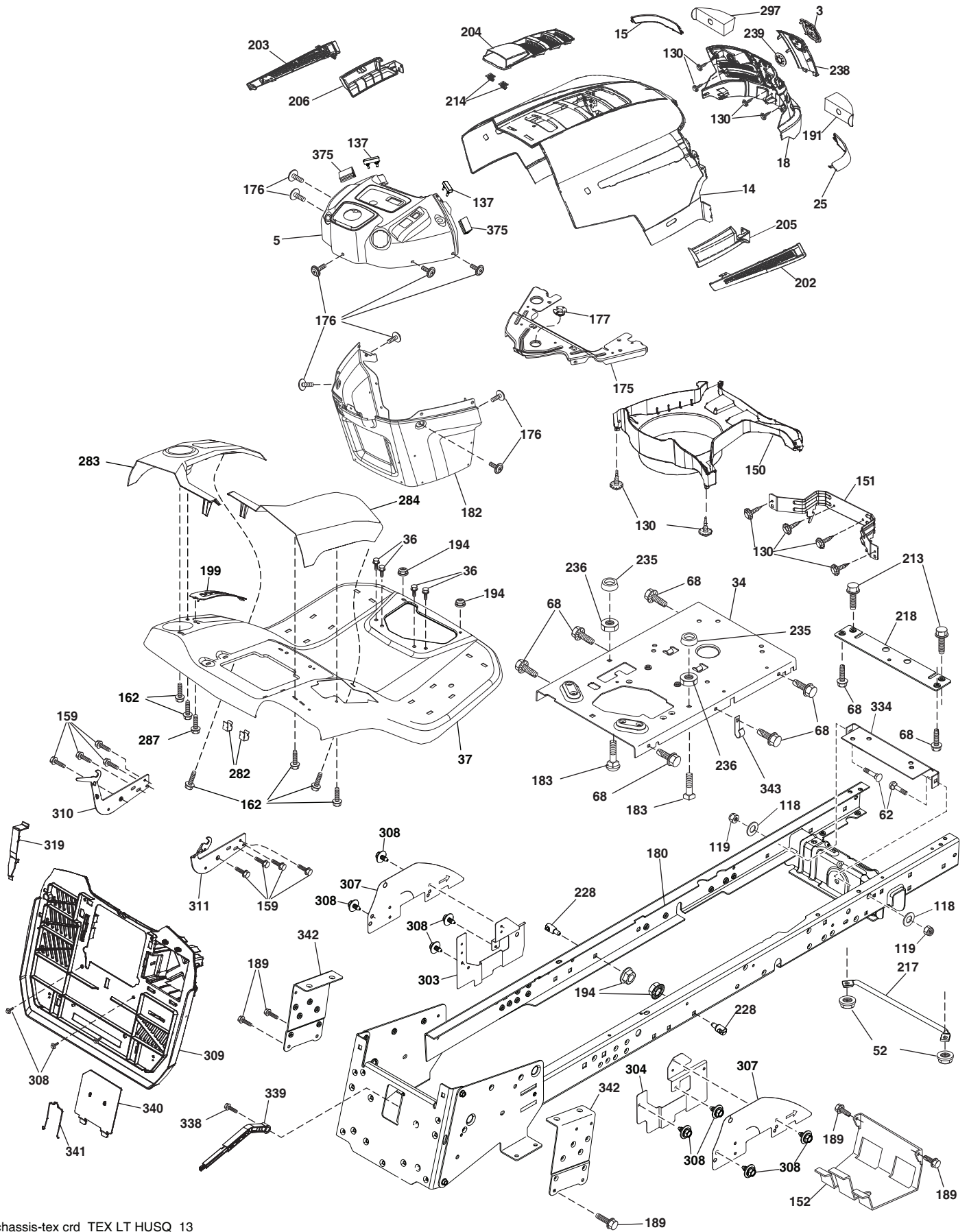
REMOVABLE CONNECTIONS

**TRACTOR - - MODEL NO. TC 238 (96051012601), PRODUCT NO. 960 51 01-26
ELECTRICAL 32**

KEY NO.	PART NO.	DESCRIPTION
1	532 43 71-57	Battery
2	532 44 09-23	Screw Hex Head Cap M6 x 1.12 mm
16	532 17 61-38	Switch Interlock Push-In
21	532 40 02-52	Harness Socket Light w/4152J
22	532 00 41-52	Bulb Light
25	581 48 98-01	Cable Starter
26	532 17 51-58	Fuse
27	873 51 04-00	Nut Keps Hex 1/4-20 unc
28	581 48 98-02	Cable, Ground
29	532 40 15-45	Switch, Seat
30	532 19 33-50	Switch, Ign.
33	532 41 19-35	Key/Chain
34	532 11 07-12	Switch Light/Reset
40	587 26 87-01	Harness Ign. Dash
43	532 19 25-07	Solenoid
46	586 16 18-01	Gauge Service Minder HRM
50	532 17 46-51	Switch PTO
55	817 06 05-12	Screw Thdrol. 5/16-18 x 3/4 TYTT
71	587 26 89-01	Harness Ignition Chassis
79	532 17 52-42	Socket Asm. Bulb Twistlock
83	532 43 67-74	Nut Square M6 x 1.8.5 x 11 mm
99	817 72 04-08	Screw Thd. Cut 1/4-20 x 1/2
102	532 44 12-62	Harness Pigtail Tex ROS Tufftorq
105	532 40 75-68	Switch Reverse TT GT
107	532 18 03-79	Switch Full Bagger Indicator
108	532 42 10-62	Switch Snapmount
142	583 85 78-01	Charge Port Pigtail
143	532 44 80-59	Charge Port

NOTE: All component dimensions given in U.S. inches
1 inch = 25.4 mm

TRACTOR - - MODEL NO. TC 238 (96051012601), PRODUCT NO. 960 51 01-26
CHASSIS AND ENCLOSURES **39**



**TRACTOR - - MODEL NO. TC 238 (96051012601), PRODUCT NO. 960 51 01-26
CHASSIS AND ENCLOSURES 39**

KEY NO.	PART NO.	DESCRIPTION	KEY NO.	PART NO.	DESCRIPTION
3	581 05 63-01	Logo	206	532 44 13-45	Skirt Side LH
5	585 52 98-07	Dash	213	874 76 05-12	Bolt Hex HD 5/16-18 unc 3/4
14	532 44 12-67	Hood	214	532 19 91-45	Clip Retainer
15	532 44 14-28	Lens LH	217	532 40 91-67	Rod Pivot Hood
18	532 44 13-68	Grille	218	532 19 63-95	X-Piece Hood Stop
25	532 44 14-27	Lens RH	228	532 19 51-61	Stud Fastener
34	580 91 09-01	Plate Engine	235	532 40 61-29	Spacer Fender
36	817 06 05-12	Screw 5/16-18 x 3/4	236	873 93 05 00	Nut Center Lock 5/16-18 unc
37	532 44 13-69	Fender	238	532 44 13-74	Trim
52	873 68 05-00	Nut Crownlock 5/16-18	239	532 40 48-83	Clip Tinnerman
62	872 11 06-08	Bolt RDHD SQNK 3/8-16 x 1	282	532 41 41-10	Clip Retainer
68	817 49 05-08	Screw Thdrol. 5/16-18 x 1/2	283	532 44 05-31	Console Deck Lift
118	819 13 13-16	Washer 13/32 x 13/16 x 16	284	532 44 05-30	Console Shift RH
119	873 68 06-00	Nut Crownlock 3/8-16 unc	287	817 60 04-06	Screw Hex Washhead. 1/4-20 x 3/8
130	532 41 63-58	Screw #10 x .750 BOS Thread	297	532 40 66-65	Insert Reflective LH
137	532 40 75-90	Bumper Dash	303	587 49 31-02	Shield Lower LH
150	532 40 66-62	Air Duct	304	587 49 33-02	Shield Lower RH
151	532 40 78-07	Bracket Pivot	307	587 49 45-01	Shield Upper
152	532 19 95-35	Shield Browning	308	532 17 18-77	Bolt 5/16-18 unc x 3/4
159	817 00 06-12	Screw 3/8-16 x 3/4	309	584 44 11-01	Backplate
162	532 14 24-32	Screw Hex Wsh. Hi-Lo 1/4 x 1/2 unc	310	532 44 66-36	Bracket Hangbar Bag LH
175	532 19 94-72	Crossmember	311	532 44 66-37	Bracket Hangbar Bag RH
176	532 40 07-76	Screw 10-24 x 5/8	319	532 17 46-62	Bracket Actuator Bagger
177	532 19 52-28	Bushing Steering	338	532 43 66-40	Bolt Shoulder
180	581 18 71-01	Chassis	334	532 44 25-37	Bracket Engine
182	532 40 71-76	Dash Lower	339	532 43 66-41	Lever Bagger Full
183	874 52 05-20	Bolt 5/16-18 x 1-1/4	340	532 44 09-31	Door Battery Tray
189	817 00 05-12	Screw 5/16-18 x 3/4	341	582 06 08-01	Latch Batter Tray
191	532 41 65-01	Insert Reflective RH	342	532 43 59-38	Support Fender
194	873 90 05-00	Nut Lock Hex Flange 5/16-18	343	532 44 07-49	Clip
199	532 41 87-39	Plate Deck Lift	375	586 90 82-01	Dash Clip-On Bumper
202	532 44 13-42	Vent Side Hood RH	--	532 40 09-44	Bumper
203	532 44 13-43	Vent Side Hood LH			
204	532 44 13-75	Vent Top Hood			
205	532 44 13-44	Skirt Side RH			

NOTE: All component dimensions given in U.S. inches
1 inch = 25.4 mm

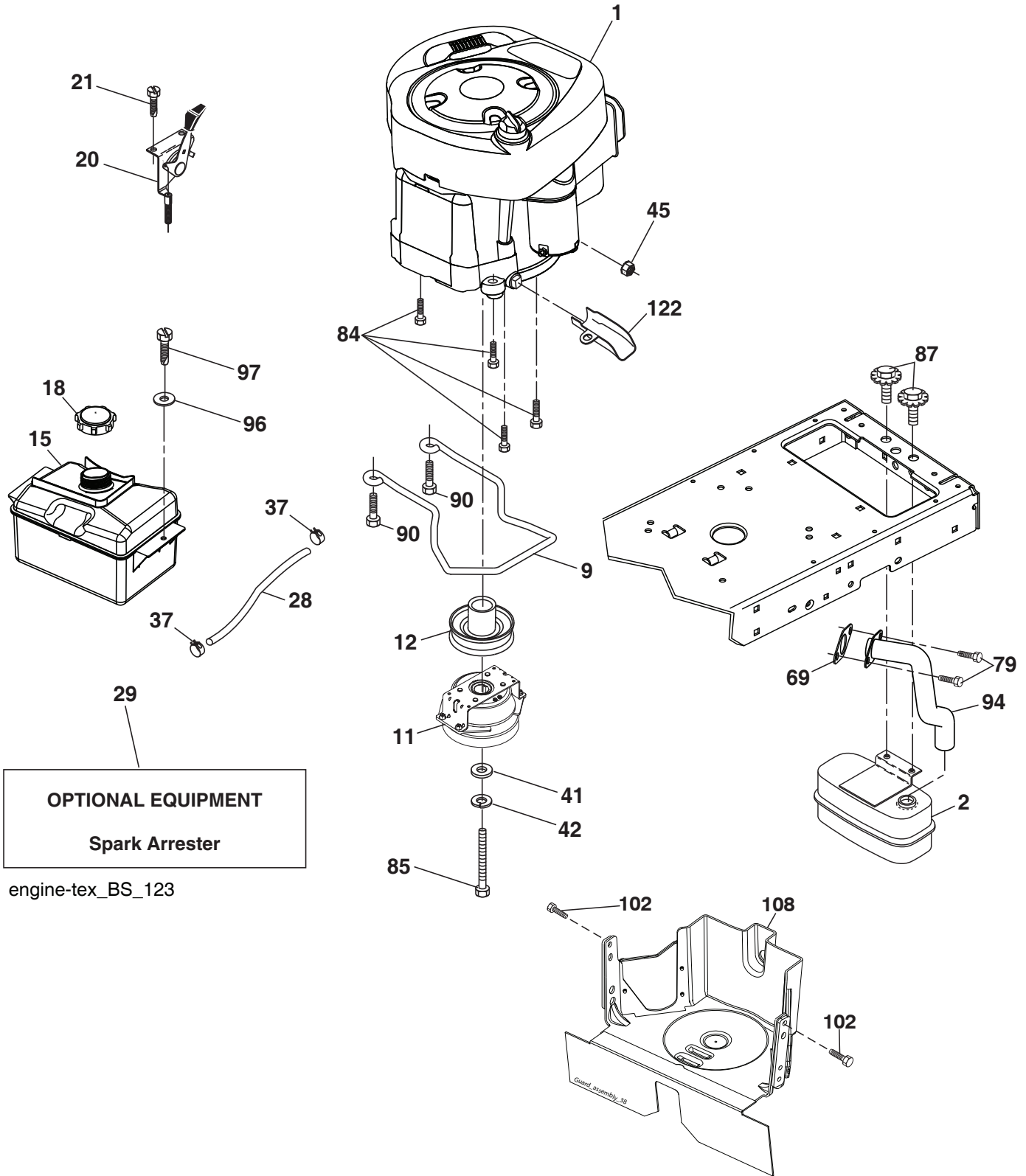
**TRACTOR - - MODEL NO. TC 238 (96051012601), PRODUCT NO. 960 51 01-26
DRIVE **40****

KEY NO.	PART NO.	DESCRIPTION	KEY NO.	PART NO.	DESCRIPTION
1	---	Transaxle, TUFFTORQ K46DF (446488)(Order parts from transxle manufacturer.)	196	817 00 06-16	Screw
2	532 12 35-83	Key Square	197	585 65 86-01	Link Clutch Anti-Rotation
6	532 12 40-28	Bushing	203	819 11 11-16	Washer 11/32 x 11/16 x 16 Ga.
15	819 13 16-16	Washer 13/32 x 1 x 16 Ga.	205	532 12 17-48	Washer 25/32 x 1-5/8 16 Ga.
17	532 43 62-27	Spring, Brake	210	532 40 09-80	Rocker Asm. Pedal
29	532 43 58-81	Rod, Brake	211	532 12 01-83	Bearing Nylon
30	819 13 13-16	Washer 13/32 x 13/16 x 16	214	532 42 12-63	Pedal Forward Pads
33	812 00 00-01	Ring E	215	586 60 65-01	Pad Pedal Reverse
35	532 40 10-31	Rod, Brake, Park	221	532 40 31-87	Retainer Spring
37	532 18 89-67	Washer Hardened	222	879 21 20-10	Washer 21/32 x 1-1/4
38	532 16 96-13	Nyliner Snap-In 5/8	226	532 40 15-64	Bracket Mount Torque
42	532 12 48-72	Cover, Foot Pedal	227	817 49 05-12	Screw
49	872 11 06-14	Bolt 3/8-16 unc	263	817 00 06-12	Screw Hexwsh Thdrs 3/8-16 x 3/4
50	532 19 43-27	Idler Flat	268	532 18 24-02	Gaurd Muffler
51	873 90 06-00	Lock Nut 3/8-16	275	819 13 16-14	Washer 13/32 x 1 x 14 Ga.
52	532 19 43-26	Idler V-Groove	279	532 44 42-83	Subasm Link and Stud
56	532 44 18-36	V-Belt, Drive	280	819 11 10-12	Washer 11/32 x 5/8 x 12 Ga.
61	532 43 77-88	Pulley Transaxle	309	532 16 55-81	Plate FSTNR Crossshift
64	532 19 78-65	Shaft Asm. Pedal Brake Control	311	532 16 98-45	Washer Nylon
73	874 49 05-56	Bolt Flanged	312	532 16 56-14	Hub Tapered Round CRD
90	532 44 36-05	Keeper Belt Clutching	313	874 78 04-16	Bolt Hex Fin 1/4-20 x 1
99	532 44 39-47	Rod Bypass TEX CRD	314	532 44 47-13	Retainer, Belt
103	873 35 05-00	Nut	315	817 58 05-20	Screw Thdrol 5/16-18 x 4.25
116	873 90 05-00	Nut Lock Hex Flange 5/16-18	335	532 19 95-34	Pulley V-Idler GRND DR
125	817 00 05-12	Screw 5/16-18 x 3/4	319	532 43 67-94	Spacer Transaxle Tex CRD
140	810 04 04-00	Washer Lock Hvy. Helical 1/4	320	532 18 76-90	Washer Spacer
143	817 49 05-08	Screw Thdrol 5/16-18 x 1/2 TYTT	339	532 43 68-67	Strap Torue K46 CRD Tex
159	876 02 04-12	Pin Cotter 1/8 x 3/4	351	532 43 69-98	Bracket 97 CRD Deck Sway
160	532 16 94-84	Retainer Clip	352	532 43 58-19	Bracket Idler
161	532 10 57-09	Spring, Return, Clutch	353	532 43 65-77	Bracket Idler RH
163	532 43 66-32	Rod Control Shift Pedal	355	532 43 56-69	Strap Torque K46 CRD
166	532 42 91-64	Nut Push .625	360	532 44 47-14	Nut
167	532 40 52-57	Latch Brake Parking	362	532 43 68-12	Idler Flat
175	532 42 93-59	Shaft Asm. Crossshift	364	532 44 30-32	Bracket Idler
183	532 13 70-57	Spacer Axle			
184	532 41 14-84	Handle Parking Brake			
185	872 00 06-22	Bolt 3/8-16 unc x 2-3/4			
186	532 19 43-21	Spacer Retainer			
188	582 21 70-01	Link Clutch Ground Drive, Long			
189	532 43 36-11	Bellcrank GRND DR CRD			
195	580 45 69-01	Bracket Brake Rod			

* Parts supplied by manufacturer

NOTE: All component dimensions given in U.S. inches
1 inch = 25.4 mm

TRACTOR - - MODEL NO. TC 238 (96051012601), PRODUCT NO. 960 51 01-26
ENGINE 24

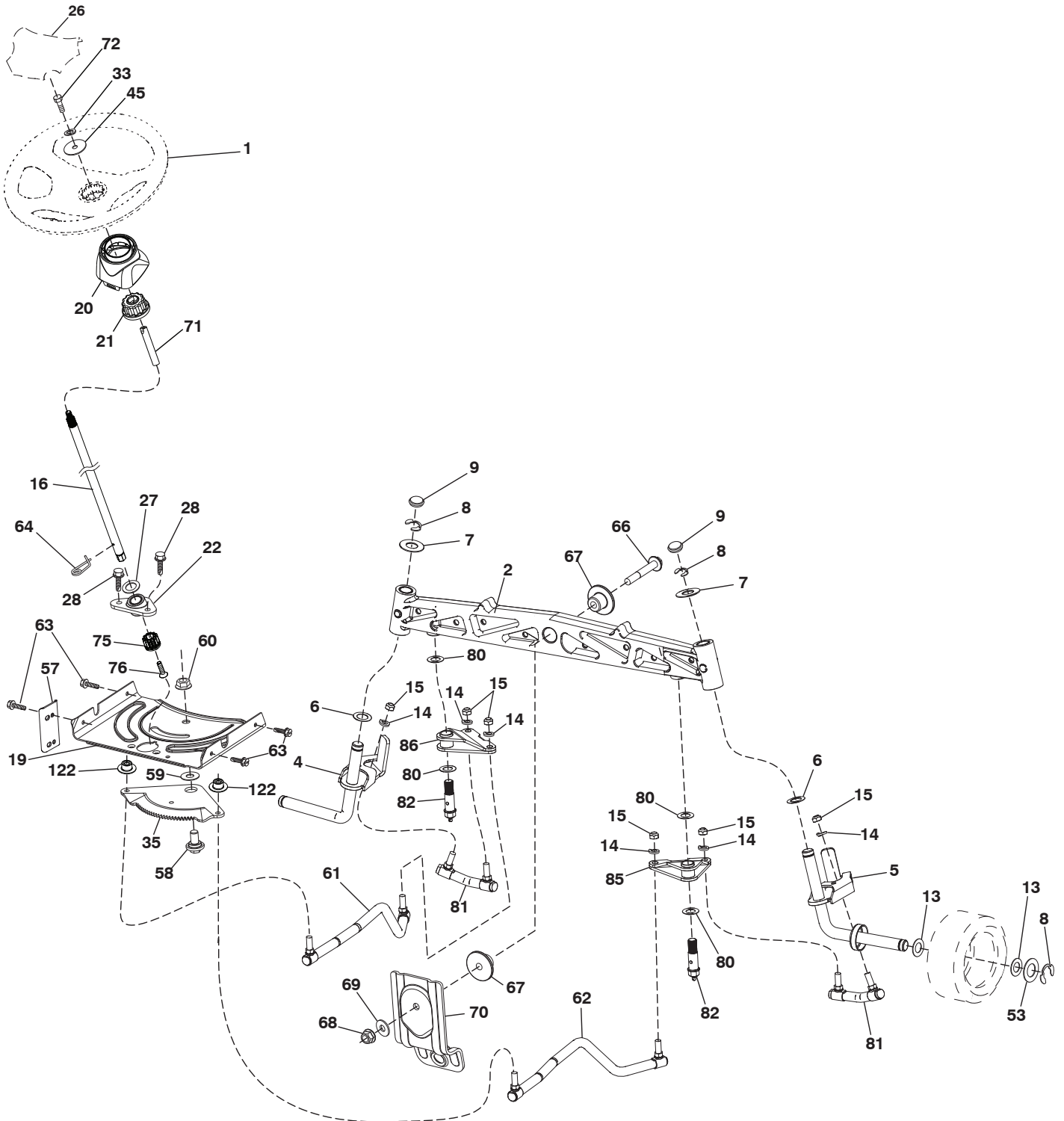


**TRACTOR - - MODEL NO. TC 238 (96051012601), PRODUCT NO. 960 51 01-26
ENGINE 24**

KEY NO.	PART NO.	DESCRIPTION
1	-----	Engine B&S Model No. 31S777-0003-B1 (587451501)(Order parts from engine manufacturer.)
2	532 18 86-55	Muffler
9	501 83 26-01	Keeper Belt Engine
11	587 24 16-01	Clutch Electric
12	532 40 50-97	Pulley Engine
15	581 28 99-01	Tank Fuel 1.5
18	532 43 02-20	Cap Fuel
20	587 24 26-01	Control Throttle
21	532 41 63-58	Screw #10 x 0.750 BOS Thread
28	532 13 70-40	Fuel Line
29	532 13 71-80	Spark Arrester Kit
37	532 12 34-87	Clamp Hose
41	532 12 61-97	Washer 1-1/2 OD x 15/32 ID x .250
42	810 04 07-00	Lock Washer Hvy. 7/16
45	873 51 04-00	Nut Keps Hex 1/4-20 unc
69	532 16 52-91	Gasket
79	532 19 23-34	Screw Socket HD 5/16-18 x .75
84	817 06 06-20	Screw 3/8-16 x 1-1/4
85	501 60 66-01	Bolt Hex 7/16-20 x 3.75 Gr. 5
87	532 17 18-77	Bolt 5/16-18 unc x 3/4 w/Sems
90	817 00 06-16	Screw 3/8-16 x 1
94	581 88 09-01	Exhaust Tube
96	819 09 14-16	Washer 9/32 x 7/8 x 16 Ga.
97	817 67 04-12	Screw 1/4-20 x 3/4
102	817 06 05-16	Screw 5/16-18 x 1
108	587 17 95-02	Cover Pulley Eng. w/SHLD
122	532 42 19-22	Extension Drain Oil

NOTE: All component dimensions given in U.S. inches
1 inch = 25.4 mm

TRACTOR - - MODEL NO. TC 238 (96051012601), PRODUCT NO. 960 51 01-26
STEERING ASSEMBLY **41**



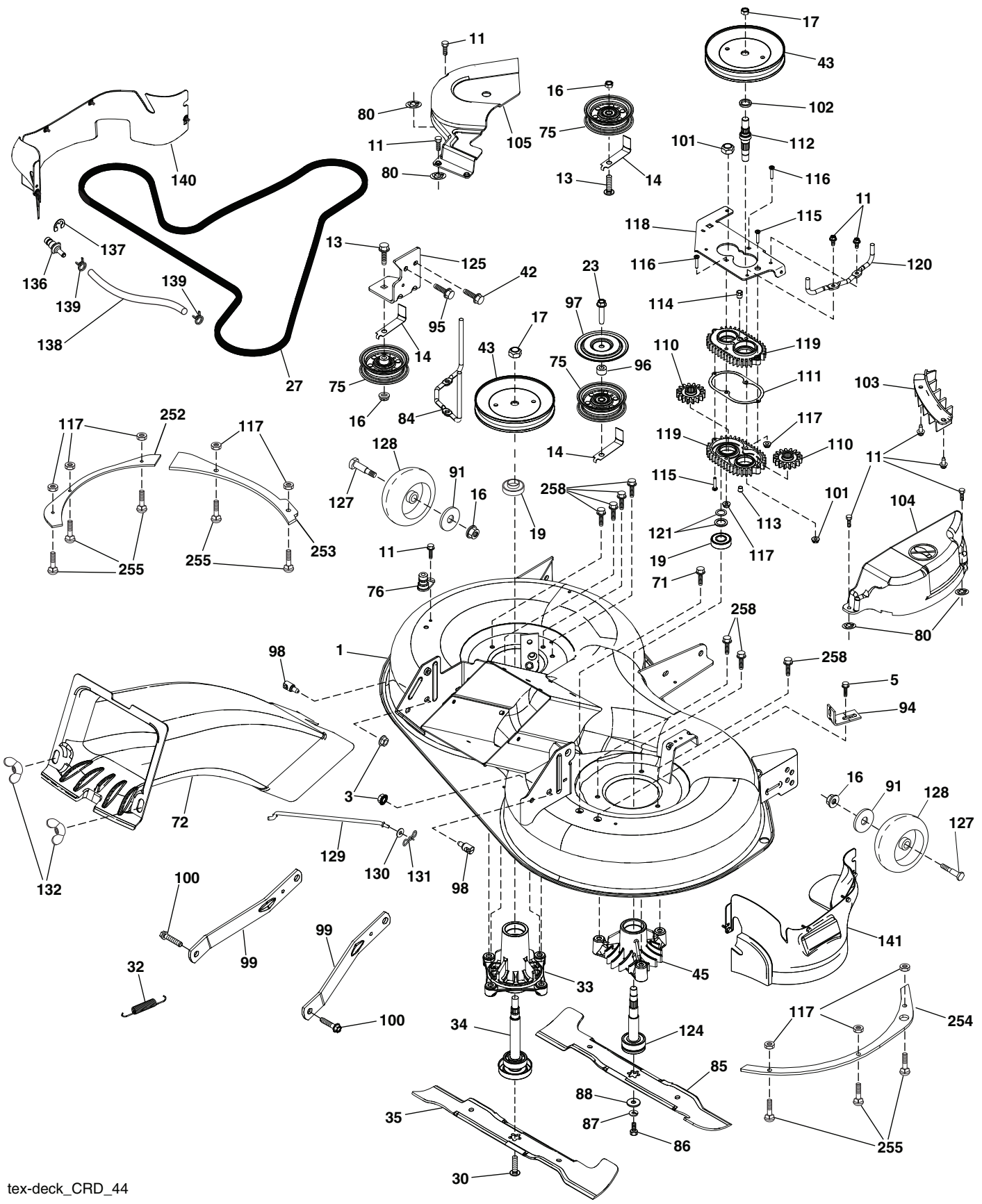
steering-tex_TTR_82

TRACTOR - - MODEL NO. TC 238 (96051012601), PRODUCT NO. 960 51 01-26
STEERING ASSEMBLY 41

KEY NO.	PART NO.	DESCRIPTION
1	532 43 97-40	Wheel, Steering Husq SR
2	532 43 68-70	Axle Asm., Front
4	532 43 68-73	Spindle Asm., LH
5	532 43 68-74	Spindle Asm., RH
6	532 12 49-31	Bearing, Race Thrust Hardened
7	532 12 17-48	Washer 25/32 x 1-5/8 x 16 Ga.
8	812 00 00-29	Ring, Clip #T5304-75
9	532 12 12-32	Cap, Spindle
13	532 12 17-49	Washer 25/32 x 1-1/4 x 16 Ga.
14	810 04 06-00	Washer, Lock Hvy. Hlcl. Spr. 3/8
15	873 54 06-00	Nut, Crown Lock 3/8-24 unf
16	585 86 92-02	Shaft Steering
19	532 19 47-29	Plate Steering
20	532 44 14-25	Boot, Steering
21	532 43 77-47	Adapter, Wheel Steering
22	585 02 99-01	Bearing
26	532 43 97-43	Insert, Wheel Steering Husq SR
27	819 21 16-16	Washer 21/32 x 1 x 16 Ga.
28	817 00 06-12	Screw 3/8-16 x 3/4
33	810 04 05-00	Washer Lock 5/16
35	532 44 07-70	Gear, Sector
45	819 11 38-12	Washer 11/32 x 3/8 x 12 Ga.
53	532 18 89-67	Washer Hardened .793 x 1.637 x .060
57	532 40 74-65	Bracket Upstop
58	532 19 47-47	Bolt Shoulder Sector Pivot CFM
59	532 19 47-48	Washer Thrust Sector Steering
60	873 97 10-00	Nut Flange Lock 5/8-11
61	581 92 62-02	Draglink, LH
62	581 92 63-02	Draglink, RH
63	817 00 05-12	Screw 5/16-18 x 3/4
64	532 19 98-49	Retainer Clip Spring Steering
66	871 02 07-48	Bolt Hex Fghd. 7/16-14 x 3 Serr.
67	532 19 47-37	Bushing PM Front Axle
68	873 90 07-00	Nut Lock Flange 7/16-14 Gr. 5
69	532 19 91-62	Washer 1.5 x .505 x .118
70	585 33 88-01	Bracket Deck Susp. Front
71	532 19 07-52	Shaft Extension Steering
72	532 42 89-82	Bolt Fin Hx 5/16-18 x 4 w/Patch
75	580 68 37-01	Pinion
76	580 68 36-01	Screw
80	532 00 13-70	Washer 5/8 x 1.10 x 1/32
81	532 43 68-87	Link Cross RH
82	532 44 21-47	Subasm. Pivot Bolt
85	532 44 18-73	Subasm. Pivot RH
86	532 44 18-72	Subasm. Pivot
122	532 44 49-62	Cap Gear
--	501 76 20-01	Kit ID Box (Includes Key#'s 1, 20, 21, 26, 33, 45, 71, & 72). This kit also includes bagger parts (532 43 66-41 Full Bagger Lever); refer to pages 6 & 7 in this IPL, (873 90 04-00 Nut Hex Flange 1/4-20 unc), (532 42 16-14 Spring Latch Bagger), (817 49 04-12 Screw 1/4-20 x 3/4); refer to pages 18 & 19 in this IPL.

NOTE: All component dimensions given in U.S. inches
1 inch = 25.4 mm

TRACTOR - - MODEL NO. TC 238 (96051012601), PRODUCT NO. 960 51 01-26
MOWER DECK 44



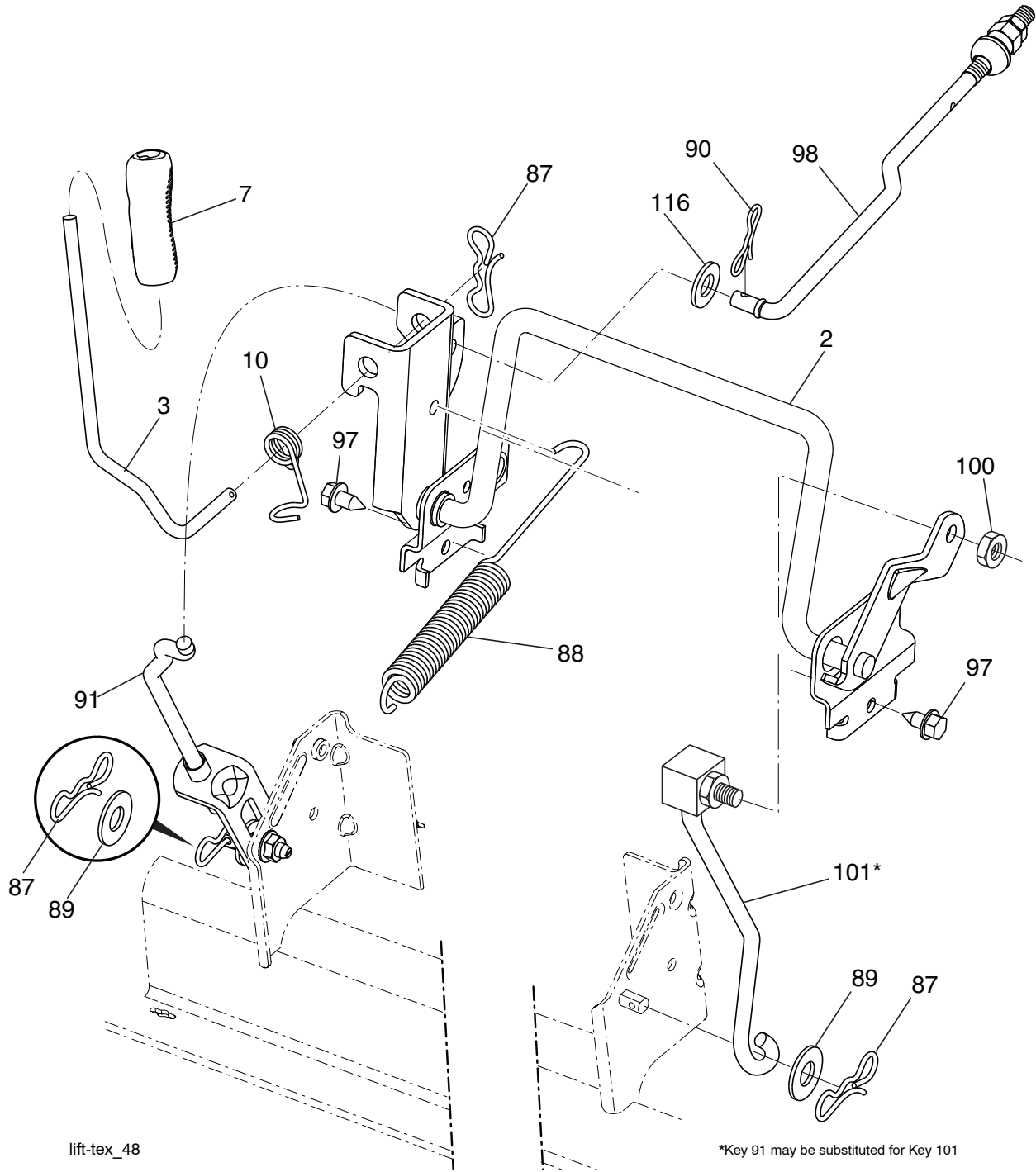
tex-deck_CRD_44

TRACTOR - - MODEL NO. TC 238 (96051012601), PRODUCT NO. 960 51 01-26
MOWER DECK 44

KEY NO.	PART NO.	DESCRIPTION	KEY NO.	PART NO.	DESCRIPTION
1	584 40 21-01	Deck Weldment	116	872 11 04-14	Bolt 1/4-20 x 1.75 Gr. 5
3	873 90 05-00	Nut Lock Hex Flange 5/16 - 18	117	873 90 04-00	Nut Hex Flange 1/4-20 unc
5	817 00 05-10	Bolt 5/16-18	118	532 43 69-89	Arm Clutching
11	532 13 77-29	Screw Thd Roll 1/4 - 20 X 5/8	119	532 43 81-66	Gearcase Subasm
13	872 11 06-12	Bolt Carr Sh 3/8 - 16 X 1 - 1/2 Gr. 5	120	532 43 69-91	Keeper Belt RH
14	532 15 60-85	Keeper Belt Idler	121	532 43 69-85	Washer
16	873 90 06-00	Nut Lock FIG 3/8 - 16 unc	124	532 43 69-86	Non Greasable Mandrel Shaft
17	532 40 02-34	Nut Flange Lock Top	125	532 43 69-94	Bracket Idler Chasses
19	585 32 39-01	Bearing Mandrel	127	532 19 34-06	Bolt Shoulder 3/8-16 x 3-5/8 Gr. 5
23	817 49 06-28	Screw Thdrol 3/8 - 16 X 1-3/4	128	532 17 48-73	Wheel Guage
27	532 44 58-34	V-Belt Drive	129	532 40 48-51	Rod Anti-Sway
30	584 30 93-01	Screw	130	819 13 13-12	Washer 13/32 x 13/16 x 12 Ga.
32	532 44 62-05	Spring Drive	131	532 19 42-08	Pin Cotter 5/16 Bow Tie Lock
33	532 18 72-81	Housing Mandrel 4pt Service	132	532 17 88-99	Knob Handle
34	587 25 65-01	Shaft Asm Mndrl	136	532 43 96-39	Washout Port Remote
35	532 42 79-84	Blade Mower LH	137	812 00 00-29	Ring Klip #T5304-75
42	817 00 05-12	Screw 5/16-18 x 3/4	138	532 44 07-43	Hose 3/8 Long12"
43	532 19 97-89	Pulley Mandrel	139	532 44 07-42	Hose 3/8 Clamp
45	532 13 71-52	Housing Mandrel	140	501 57 94-01	Guard Asm LH French
71	817 67 06-08	Screw Thdrol 3/8-16 x 1/2	141	501 57 93-01	Guard Asm RH French
72	582 03 56-01	Chute Upper	252	585 30 88-05	Plate 97 Left Bolt
75	532 13 14-94	Pulley Idler Flat	253	585 30 90-05	Plate 97 LH Bolt
76	532 43 96-40	Washout Port	254	585 30 87-05	Plate 97 RH Bolt
80	532 42 30-62	Palnut 1/4	255	539 10 98-00	Carriage Bolt
84	532 40 01-40	Keeper Belt Mandrel	258	584 95 39-01	Bolt Hex Wsh Hd 313-18 x 1.19
85	532 42 79-85	Blade Mower RH	--	587 25 33-01	Mandrel Assembly (Includes Housing (Key #33), Shaft Assembly (Key #34), And Bearing Only(Key #19) - Pulley/Nut/Washer And Blade Bolt/Washers Not Included)
86	532 18 17-13	Bolt 3/8-24 x 1.50 Gr. 8	--	586 25 80-01	Replacement Mower Complete
87	810 03 06-00	Washer Lock Hvy 3/8	--	532 44 81-32	Gear Case Kit – Use .75 oz. Shell 460 oil (Include Gear Output (key #110), Gasket Gearcase (key #111), Shaft Gearcase (key #112), Plug Oil (key #113),Vent Breather 1/8 NPT (key #114), Screw Torx (key #115), Gearcase Subasm (key #119))
88	532 14 02-96	Washer Hard Blade Mower Vented			
91	819 13 20-12	Washer 13/32 x 1-1/4 x 12 Ga.			
94	532 19 72-50	Bracket Clutch Cable			
95	817 00 06-12	Screw 3/8-16 x 3/4			
96	532 40 02-71	Spacer			
97	532 18 20-61	Shield Idler Mower			
98	532 19 51-61	Stud Fastener			
99	532 19 51-86	Arm Suspension Mower Rear			
100	532 19 65-39	Bolt Shoulder			
101	873 68 09-00	Nut Crownlock 9/16 - 18 unc			
102	532 40 25-11	Spacer Bearing Swing Plate			
103	532 43 69-92	Guard Front Vent			
104	532 43 89-68	Mandrel Cover RH			
105	532 43 87-44	Mandrel Cover LH			
110	587 93 48-01	Gear Output			
111	532 43 69-79	Gasket Gearcase			
112	532 44 38-52	Shaft Gearcase			
113	532 43 85-33	Plug Oil			
114	588 17 05-01	Valve Relief			
115	818 03 10-16	Screw Torx #10-24 x 1			

NOTE: All component dimensions given in U.S. inches
1 inch = 25.4 mm

TRACTOR - - MODEL NO. TC 238 (96051012601), PRODUCT NO. 960 51 01-26
MOWER LIFT 45

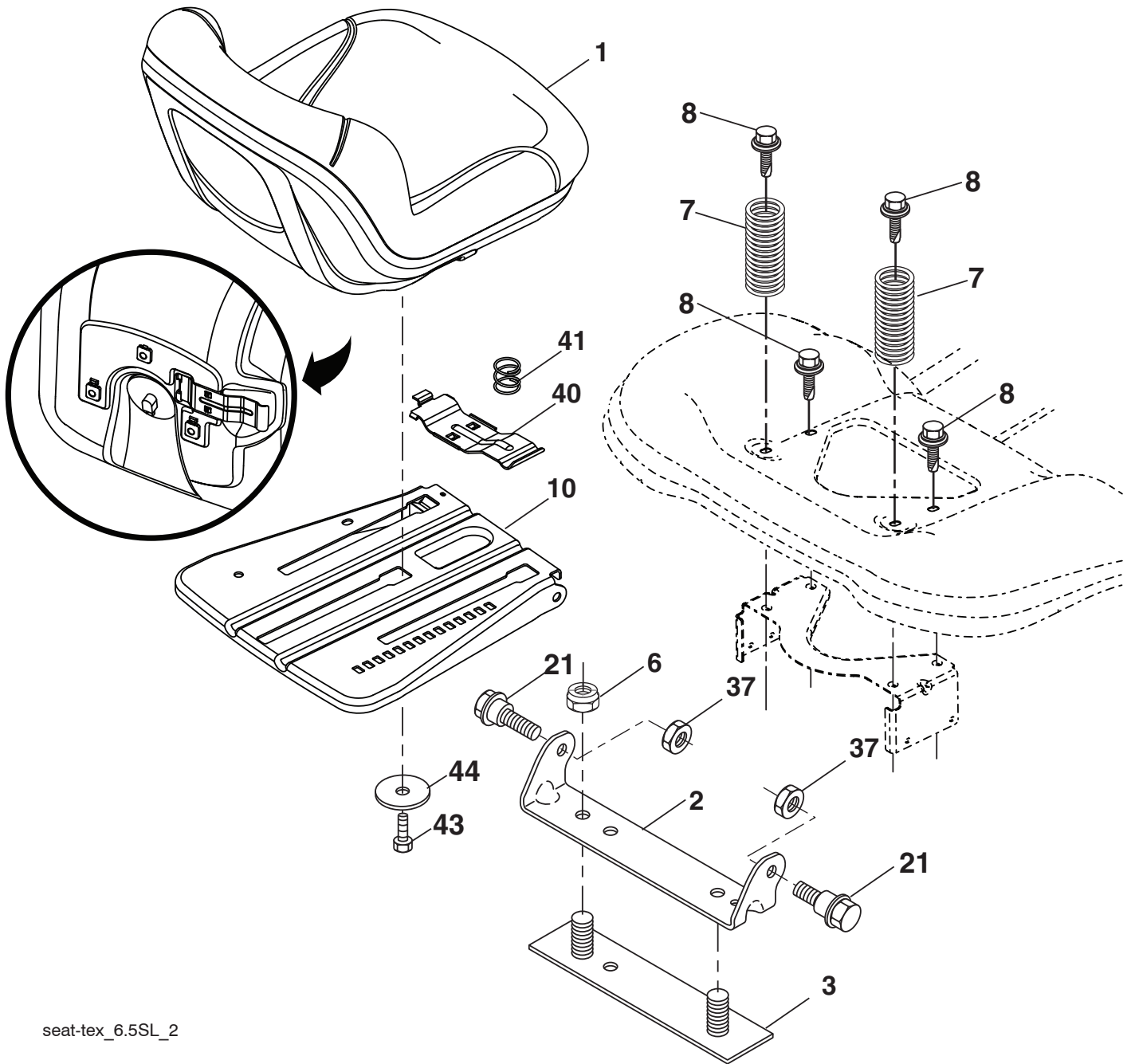


KEY NO.	PART NO.	DESCRIPTION
2	532 43 69-96	Deck Lift Weldment
3	532 19 52-31	Lever Asm., Lift RH
7	580 96 23-01	Grip, Lever
10	532 19 63-14	Spring Torsion
87	532 19 42-09	Pin Cotter 7/16 Bow Tie Lock
88	532 43 69-95	Spring Lift Assist
89	819 19 19-12	Washer Clear Zinc
90	532 19 42-08	Pin Cotter 5/16 Bow Tie Lock
91	532 19 51-81	Link Lift Susp. Mower Rear

KEY NO.	PART NO.	DESCRIPTION
97	817 49 06-08	Screw 3/8-16 x 1/2
98	532 19 52-70	Link Lift Susp. Front Mower
100	873 93 06-00	Nut Centerlock 3/8-16 unc
101	532 40 70-03	Link Asm. Lift Fixed
116	819 15 15-16	Washer 15/32 x 15/16 x 16 Ga.

NOTE: All component dimensions given in U.S. inches
 1 inch = 25.4 mm

**TRACTOR - - MODEL NO. TC 238 (96051012601), PRODUCT NO. 960 51 01-26
SEAT ASSEMBLY 42**



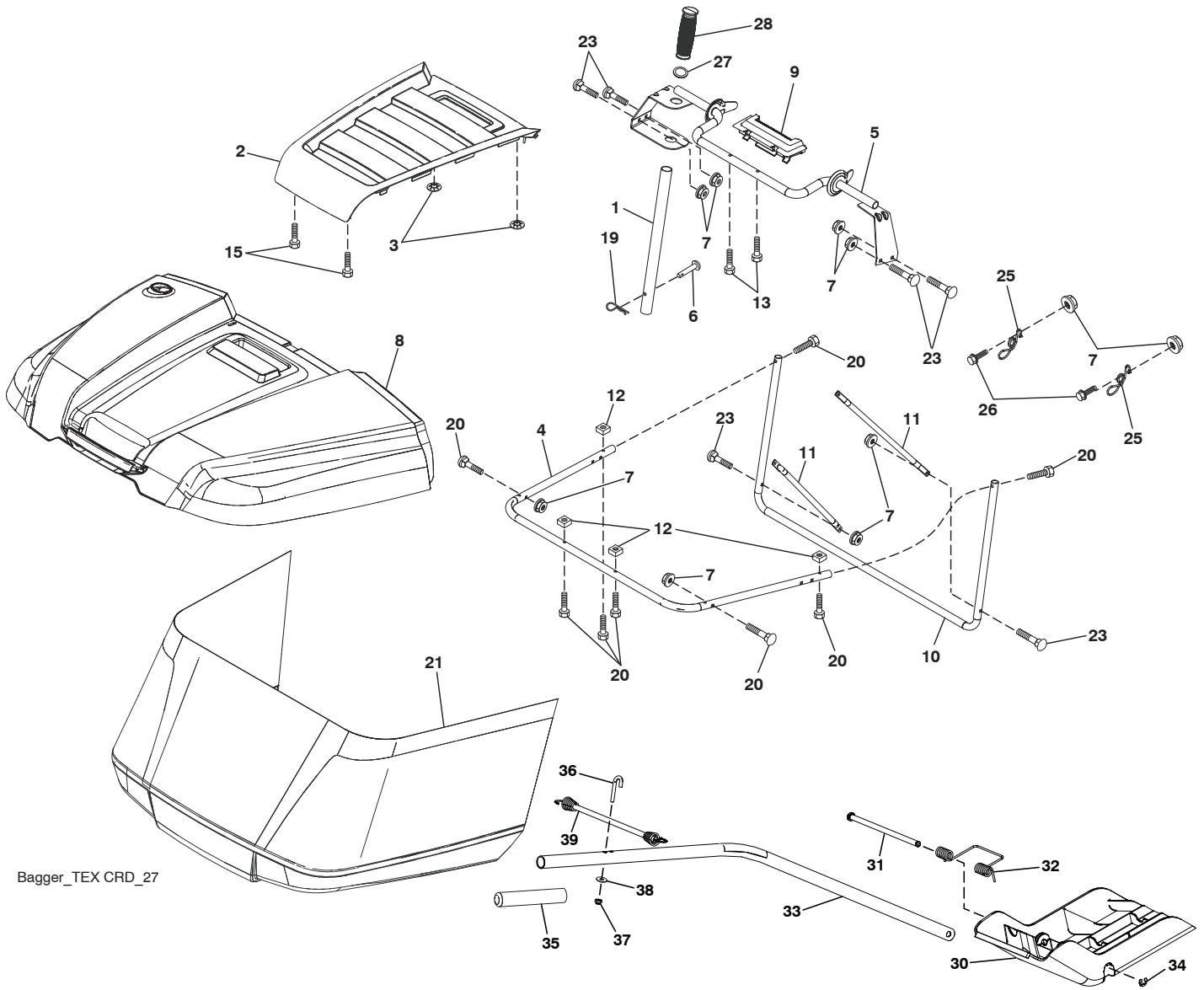
seat-tex_6.5SL_2

KEY NO.	PART NO.	DESCRIPTION
1	532 43 98-19	Seat
2	532 18 01-66	Bracket Pivot Fender
3	532 14 06-75	Strap, Asm. Fender
6	873 80 06-00	Nut, Lock w/Ins. 3/8-16 unc
7	532 12 41-81	Spring, Seat Cprsn.
8	532 17 18-77	Bolt 5/16-18 unc x 3/4 w/Sems.
10	532 19 69-77	Pan, Seat
21	532 17 18-52	Bolt, Shoulder 5/16-18
37	873 80 05-00	Nut, Lock 5/16-18 unc

KEY NO.	PART NO.	DESCRIPTION
40	532 19 76-61	Handle
41	532 19 82-00	Spring
43	874 76 06-12	Bolt 3/8-16 unc x 3/4
44	819 13 38-12	Washer 13/32 x 2-3/8 x 12 Ga.

NOTE: All component dimensions given in U.S. inches
1 inch = 25.4 mm

TRACTOR - - MODEL NO. TC 238 (96051012601), PRODUCT NO. 960 51 01-26
BAGGER 46



Bagger_TEX CRD_27

**TRACTOR - - MODEL NO. TC 238 (96051012601), PRODUCT NO. 960 51 01-26
BAGGER 46**

KEY NO.	PART NO.	DESCRIPTION
1	532 42 86-10	Tube Handle Bagger
2	532 44 13-58	Applique
3	532 41 38-08	Nut Push .156
4	579 78 54-01	Frame Asm Bagger Top
5	532 41 76-32	Frame Asm Top Bagger
6	532 12 68-75	Rivet Drilled
7	873 90 04-00	Nut Hex Flange 1/4-20 unc
8	532 44 12-61	Cover Bagger
9	532 41 76-29	Insert Handle Bagger
10	532 43 67-70	Frame Front
11	532 43 67-71	Tubing Brace Bagger
12	532 42 17-93	Nut Square 1/4
13	532 42 17-80	Screw 1/4 x 1.150
15	532 42 18-01	Screw #8 Dlat Head Drill Tip
19	532 19 42-08	Cotter Pin 5/16 Bow Tie
20	501 40 66-01	Screw Hex Cap 1/4-20 x 1.500
21	532 44 83-06	Bag Asm
23	872 04 04-10	Bolt Carr. 1/4-20
25	532 42 16-14	Spring Latch Bagger
26	817 49 04-12	Screw 1/4-20 x 3/4
27	532 42 12-62	Grommet Rubber
28	532 16 57-87	Grip Handle Black
30	532 43 74-52	Plug
31	532 43 58-61	Pin Hinge
32	532 43 74-54	Spring Double Torsion
33	532 43 84-51	Shaft Mulch Plug
34	532 43 79-88	E-Ring 5/16
35	532 43 91-39	Grip Mulch Plug
36	532 43 90-98	Bolt J
37	532 06 91-80	Nut Lock #10-24 unc
38	819 07 08-18	Washer 7/32 x 1/2
39	532 43 92-42	Bungee

NOTE: All component dimensions given in U.S. inches
1 inch = 25.4 mm

