



# SPARE PARTS LIST

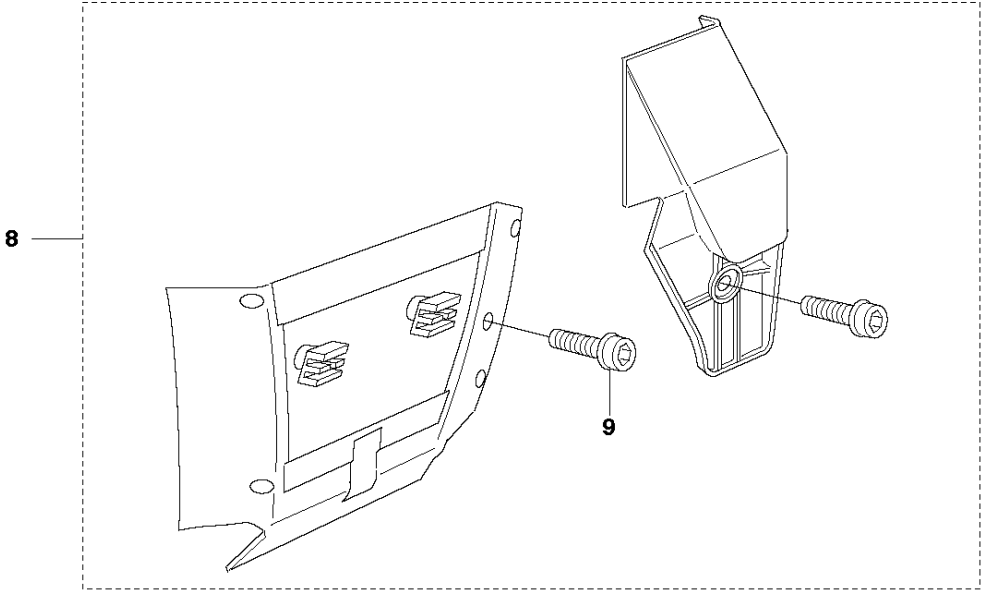
CHAIN SAWS

390XP from 2016-03 -

**P** 390XP  
ACCESSORIES



**WINTER KIT**



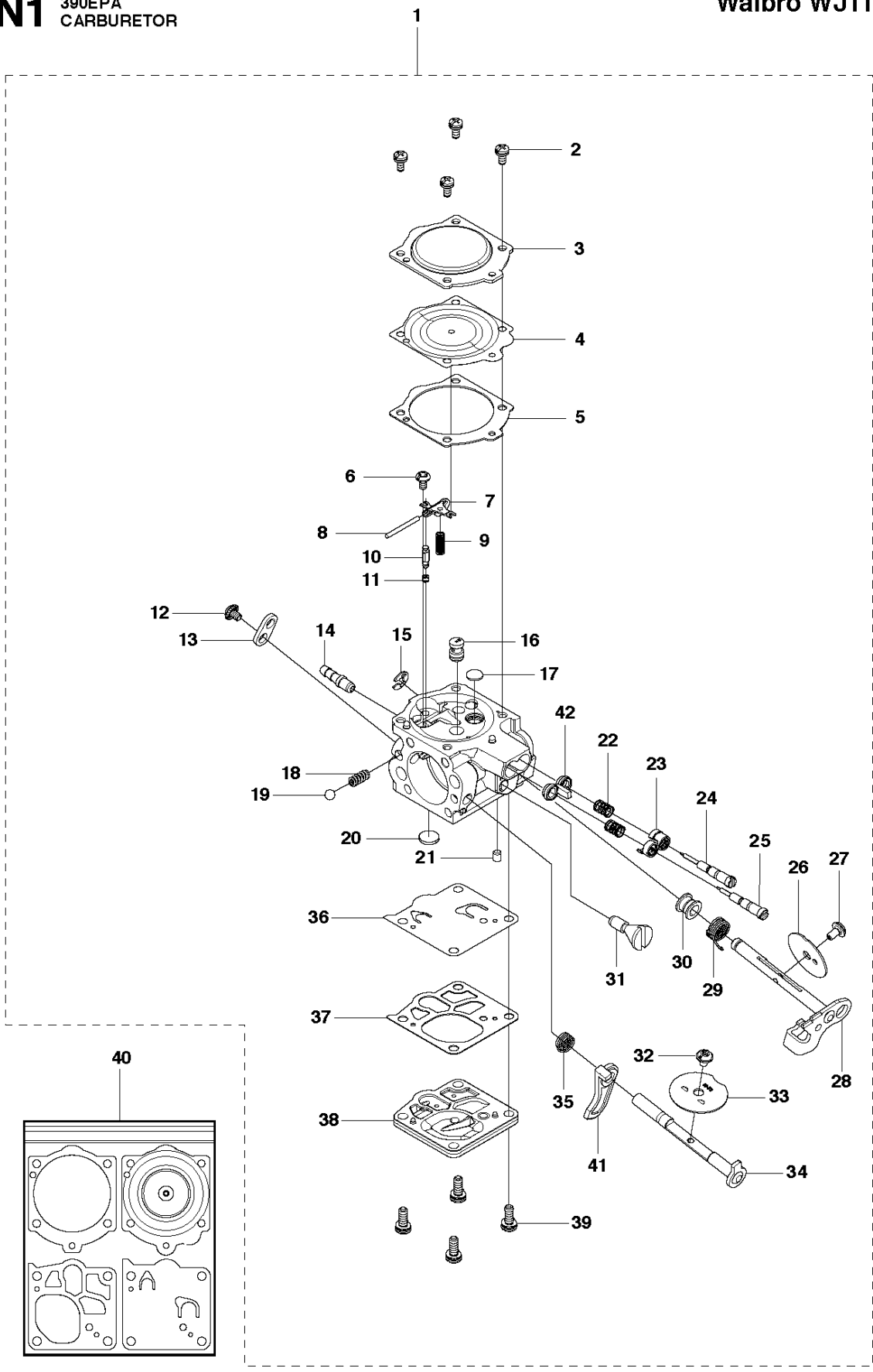
## ACCESSORIES

390XP from 2016-03 -

Ref	Part No	Description	Remark	QTY KIT	
1	501 75 47-01	TOOL KIT		1	
2	503 62 12-01	GREASE		1	
3	501 91 14-01	GREASE GUN		1	
4	503 13 96-01	COMBINATION WRENCH		1	1
5	503 55 86-02	SPANNER	NV5	1	1
6	503 55 86-01	SPANNER	NV4	1	1
7	575 88 07-01	WRENCH	TORX T27/T20	1	1
8	537 04 38-01	WINTER KIT	Winter kit	1	
9	503 21 70-16	SCREW CCRPANT		2	8

**N1** 390EPA  
CARBURETOR

**Walbro WJ116**



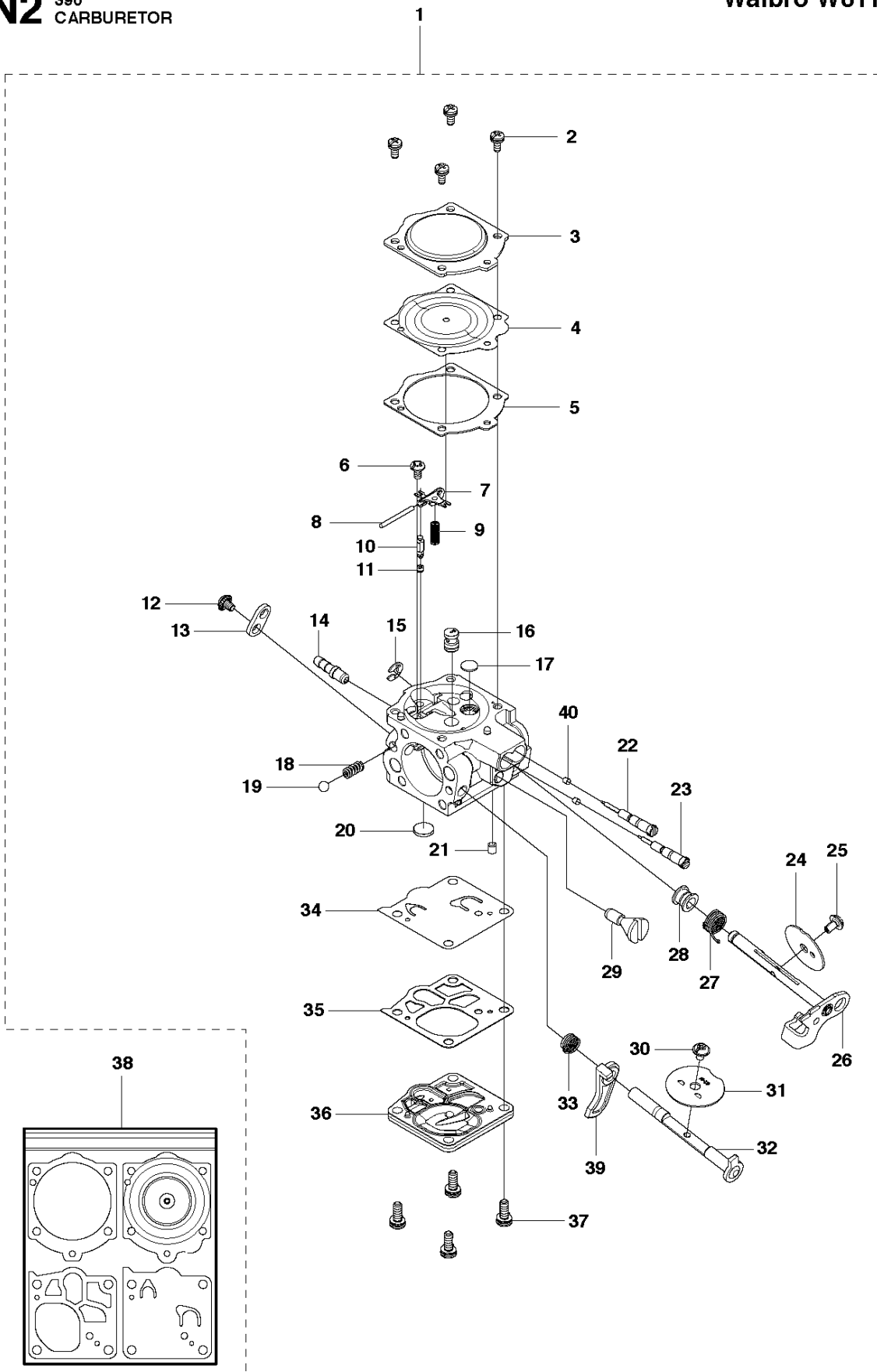
## CARBURETOR

390XP from 2016-03 -

Ref	Part No	Description	Remark	QTY	KIT
1	501 35 52-01	CARBURETTOR		1	
2	503 10 87-01	SCREW		4	1
3	505 31 67-02	COVER		1	1
4	505 31 67-15	DIAPH.ASS'Y-METERING		1	1, 40
5	501 46 75-01	GASKET		1	1, 40
6	505 31 67-17	SCREW		1	1
7	505 31 67-34	LEVER		1	1
8	505 31 67-31	PIN-METERING LEVER		1	1
9	504 79 12-01	SPRING		1	1
10	503 56 34-01	INLET		1	1
11	503 59 23-01	SEAT-IN VALVE PLATED		1	1
12	501 46 87-01	SCREW		1	1
13	504 79 07-01	LEVER		1	1
14	505 69 69-01	FITTING		1	1
15	505 31 67-36	RING		1	1
16	504 79 09-01	NOZZLE		1	1
17	504 79 08-01	PLUG		1	1
18	503 11 77-01	SPRING		1	1
19	503 11 71-01	BALL		1	1
20	501 66 61-01	SCREEN		1	1
21	503 80 05-01	PLUG		1	1
22	544 97 10-01	SPRING		2	1
23	544 97 08-01	LIMITER CAP		2	1
24	504 79 18-01	NEEDLE	Low speed	1	1
25	544 97 13-01	NEEDLE	High speed	1	1
26	503 80 00-01	VALVE		1	1
27	544 11 15-01	SCREW		1	1
28	504 79 04-01	SHAFT ASSY		1	1
29	576 13 82-01	SPRING		1	1
30	502 10 31-01	BUSHING		1	1
31	504 79 11-01	SCREW		1	1
32	537 00 34-01	SCREW		1	1
33	505 31 67-07	VALVE-CHOKE		1	1
34	504 79 05-01	SHAFT ASSY		1	1
35	504 79 15-01	SPRING		1	1
36	544 89 72-01	DIAPHRAGM PUMP		1	1, 40
37	503 11 72-01	GASKET		1	1, 40
38	504 79 03-01	COVER		1	1
39	503 11 75-01	SCREW		4	1
40	522 59 18-01	KIT	Set of gaskets	1	
41	537 40 92-01	LEVER		1	
42	544 97 14-01	RETAINER		1	

**N2** 390  
CARBURETOR

**Walbro WJ118**

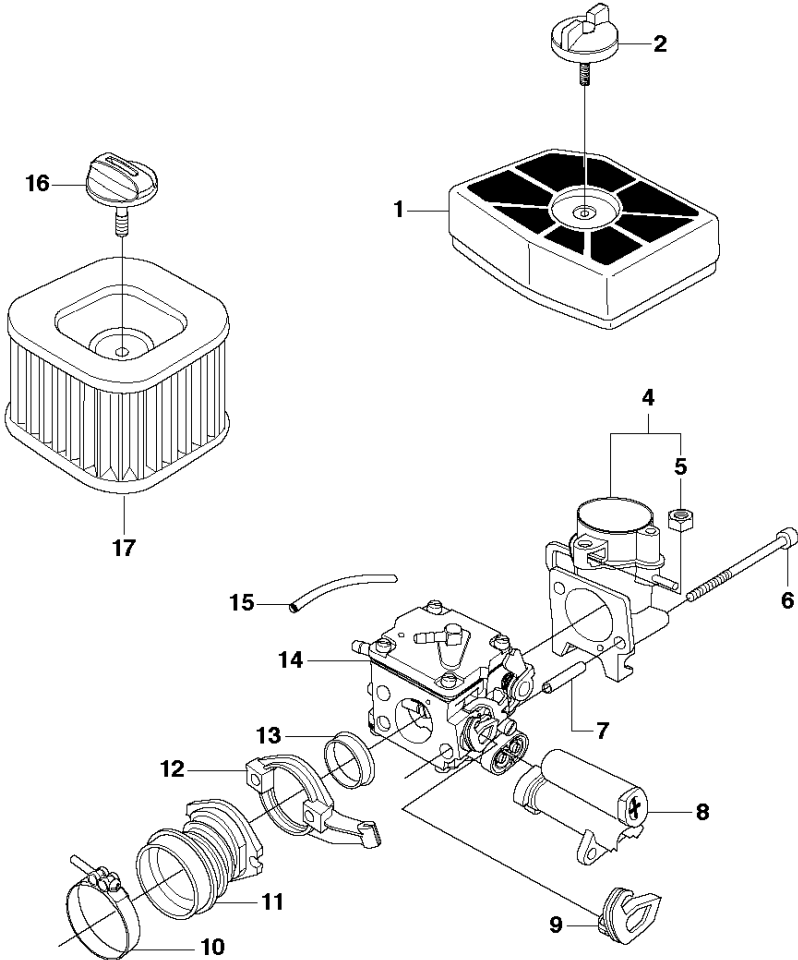


## CARBURETOR

390XP from 2016-03 -

Ref	Part No	Description	Remark	QTY	KIT
1	501 35 54-01	CARBURETTOR		1	
2	503 10 87-01	SCREW		4	1
3	505 31 67-02	COVER		1	1
4	505 31 67-15	DIAPH.ASS'Y-METERING		1	1, 38
5	501 46 75-01	GASKET		1	1, 38
6	505 31 67-17	SCREW		1	1
7	505 31 67-34	LEVER		1	1
8	505 31 67-31	PIN-METERING LEVER		1	1
9	504 79 12-01	SPRING		1	1
10	503 56 34-01	INLET		1	1
11	503 59 23-01	SEAT-IN VALVE PLATED		1	1
12	501 46 87-01	SCREW		1	1
13	504 79 07-01	LEVER		1	1
14	505 69 69-01	FITTING		1	1
15	505 31 67-36	RING		1	1
16	504 79 09-01	NOZZLE		1	1
17	504 79 08-01	PLUG		1	1
18	503 11 77-01	SPRING		1	1
19	503 11 71-01	BALL		1	1
20	501 66 61-01	SCREEN		1	1
21	503 80 05-01	PLUG		1	1
22	505 50 91-01	NEEDLE	Low speed	1	1
23	505 50 92-01	NEEDLE	High speed	1	1
24	503 80 00-01	VALVE		1	1
25	544 11 15-01	SCREW		1	1
26	504 79 04-01	SHAFT ASSY		1	1
27	576 13 82-01	SPRING		1	1
28	502 10 31-01	BUSHING		1	1
29	504 79 11-01	SCREW		1	1
30	537 00 34-01	SCREW		1	1
31	505 31 67-07	VALVE-CHOKE		1	1
32	504 79 05-01	SHAFT ASSY		1	1
33	504 79 15-01	SPRING		1	1
34	544 89 72-01	DIAPHRAGM PUMP		1	1, 38
35	503 11 72-01	GASKET		1	1, 38
36	504 79 03-01	COVER		1	1
37	503 11 75-01	SCREW		4	1
38	522 59 18-01	KIT	Set of gaskets	1	
39	537 40 92-01	LEVER		1	1
40	544 89 81-01	BUSHING		1	1

**G** 390XP  
CARBURETOR & AIRFILTER



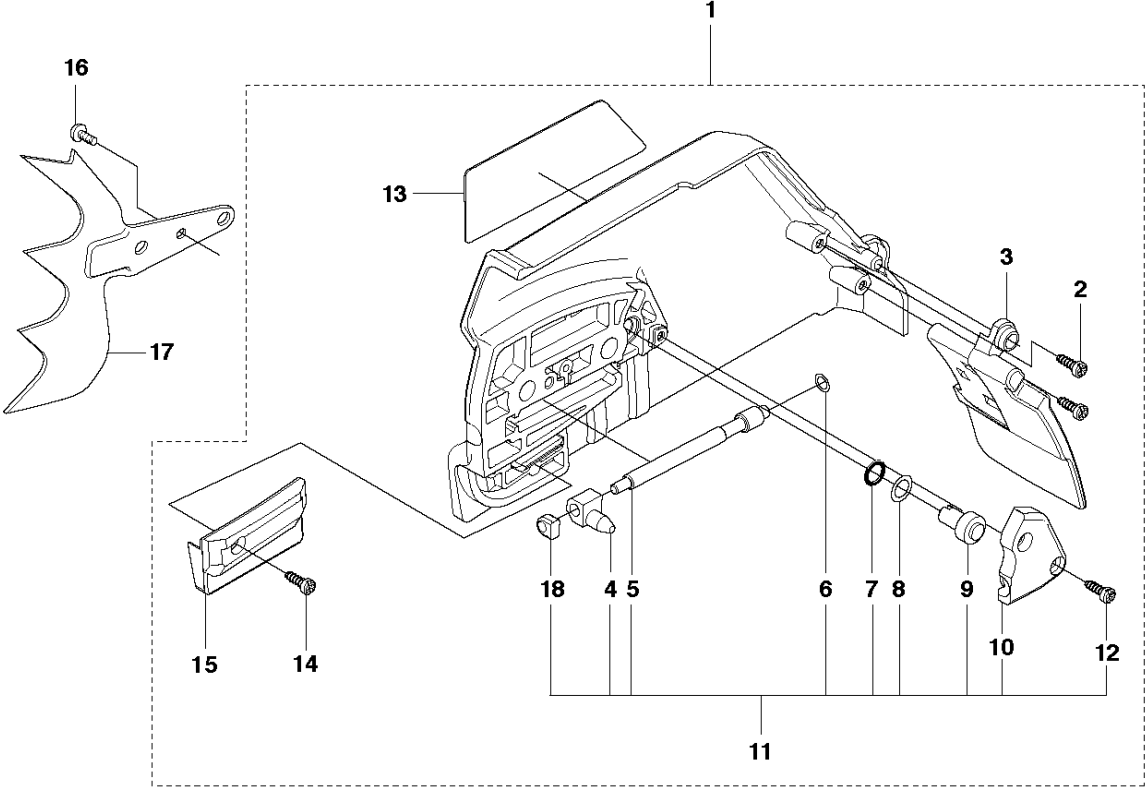


## CARBURETOR &amp; AIR FILTER

390XP from 2016-03 -

Ref	Part No	Description	Remark	QTY KIT
1	537 01 47-01	AIR FILTER ASSY	80μ	1
1	537 01 47-02	AIR FILTER ASSY	44μ	1
1	537 01 47-03	AIR FILTER ASSY	Felt	1
2	537 21 32-01	KNOB		1
4	537 00 91-01	FILTER HOLDER		1
5	731 23 14-01	HEXAGON NUT		1 4
6	725 53 09-55	SCREW IHSCM		2
7	503 70 11-01	TUBE		2
8	544 97 51-01	GUIDE BUSHING		1
9	503 68 41-01	LEVER		1
10	588 77 55-01	HOSE CLAMP		1
11	537 11 14-01	INLET PIPE		1
11	537 11 14-02	INLET PIPE	For cold conditions	1
12	537 00 37-01	FLANGE		1
13	503 96 22-01	SUPPORT SLEEVE		1
14	501 35 54-01	CARBURETTOR	WJ118	1
14	501 35 52-01	CARBURETTOR	WJ116 (EPA)	1
15	503 40 06-04	IMPULSE HOSE		1
16	537 21 32-05	KNOB		1
17	537 00 93-01	AIR FILTER	Felt	1

**A2** 390, 390EPA  
CHAIN BRAKE

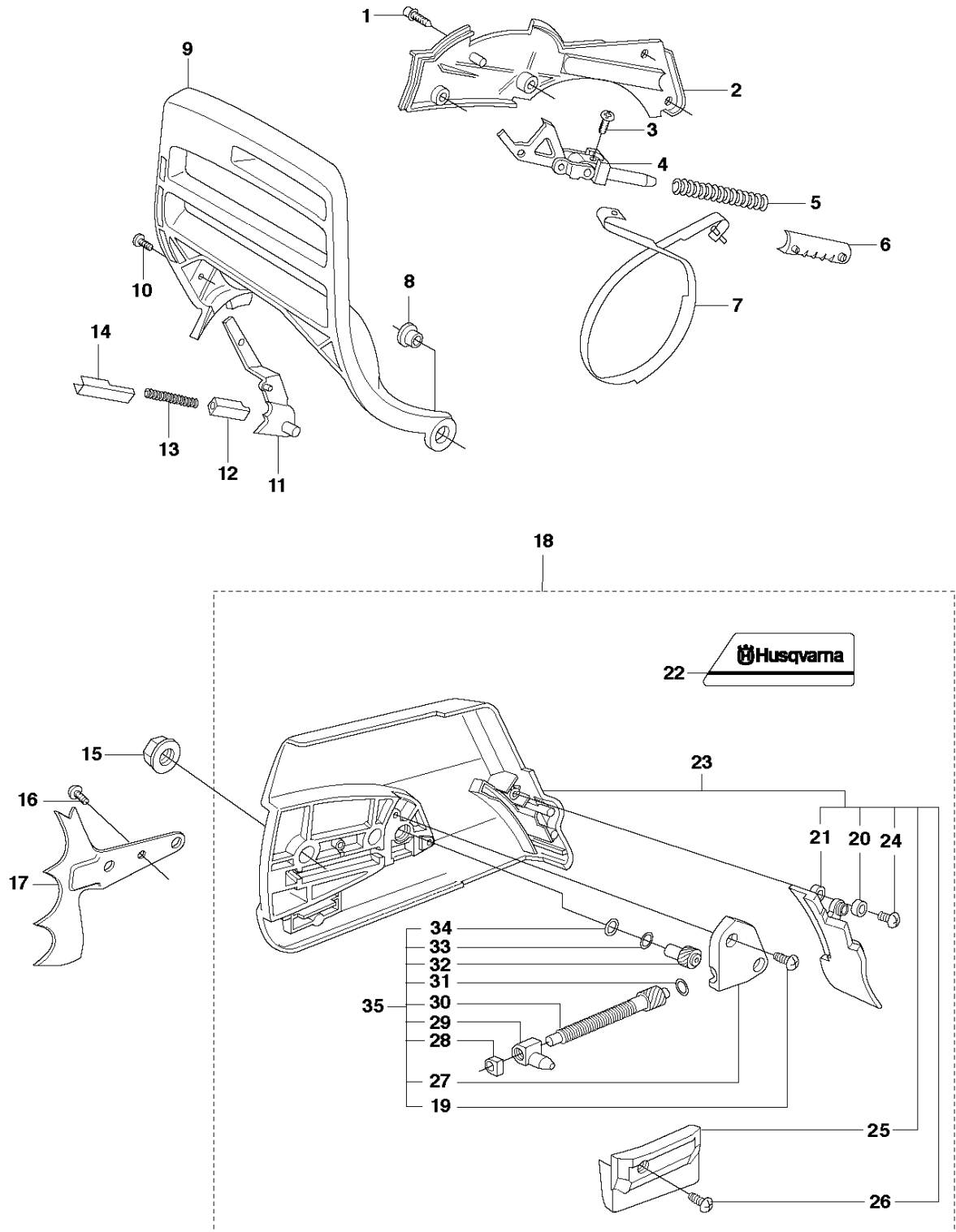


## CHAIN BRAKE

390XP from 2016-03 -

Ref	Part No	Description	Remark	QTY	KIT
1	537 33 10-01	CLUTCH COVER ASSY	WA	1	
2	503 21 28-10	SCREW CCRPANT		2	1
3	537 17 41-01	CHIP GUARD		1	1
4	503 99 83-01	PAWL		1	1, 11
5	537 07 95-02	WORM SCREW		1	1, 11
6	503 23 00-66	WASHER		1	1, 11
7	740 48 07-02	O-RING		1	1, 11
8	503 23 00-63	WASHER		1	1, 11
9	537 07 94-02	WORM WHEEL		1	1, 11
10	537 01 68-01	COVER		1	1, 11
11	537 04 41-02	CHAIN TENSIONER		1	1
12	503 21 28-10	SCREW CCRPANT		2	1, 11
13	537 03 38-03	LABEL		1	1
14	503 21 28-10	SCREW CCRPANT		1	1
15	537 04 34-01	CHAIN GUIDE		1	1
16	503 21 28-10	SCREW CCRPANT		1	
17	503 92 27-01	SPIKE	WA	1	
18	537 01 74-01	BEARING SLEEVE		1	1, 11

**A1** 390, 390EPA  
CHAIN BRAKE & CLUTCH COVER

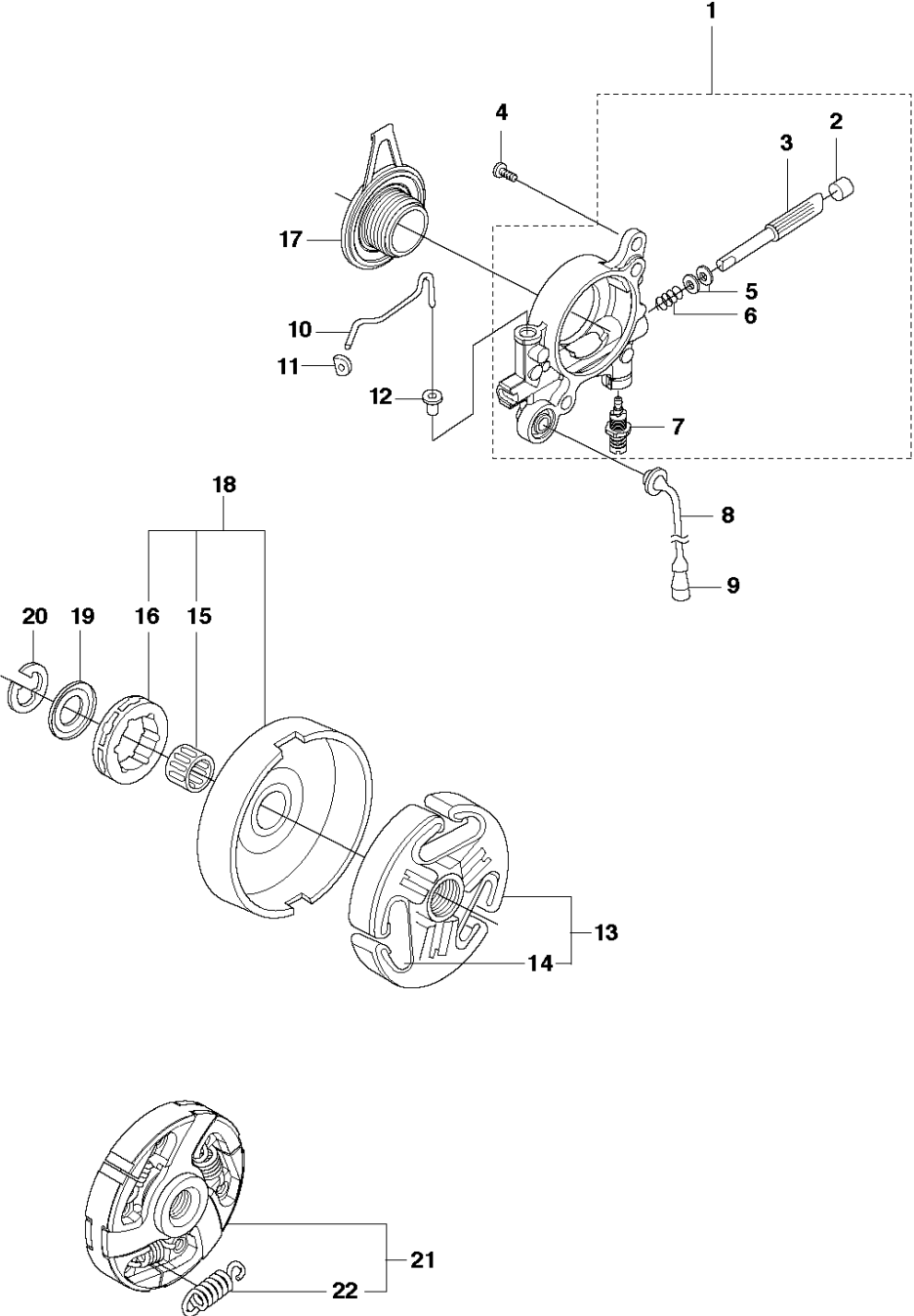


## CHAIN BRAKE &amp; CLUTCH COVER

390XP from 2016-03 -

Ref	Part No	Description	Remark	QTY	KIT
1	503 20 02-12	SCREW IHSCFM		4	
2	503 75 11-03	HUB CAP		1	
3	503 21 28-10	SCREW CCRPANT		1	
4	501 87 53-04	KNEE JOINT		1	
5	503 70 99-02	BRAKE SPRING		1	
6	503 79 27-01	SUPPORT		1	
7	503 75 22-02	BRAKE BAND ASSY		1	
8	503 77 52-01	BUSHING		1	
9	537 01 69-01	HAND GUARD		1	
10	503 20 26-02	SCREW IHSCM		1	
11	537 00 87-02	BRAKE LEVER		1	
12	503 83 81-02	LOCK		1	
13	503 43 65-01	POSITION SPRING		1	
14	537 01 67-01	WEAR PROTECTION		1	
15	503 22 00-01	HEXAGON NUT		2	
16	503 21 28-10	SCREW CCRPANT		1	
17	503 71 97-01	SPIKE		1	
18	537 03 35-02	CLUTCH COVER ASSY		1	
19	503 21 28-10	SCREW CCRPANT		2	18, 23, 35
20	503 89 70-01	SLEEVE		1	18, 23
21	503 76 29-02	CHIP GUARD		1	18, 23
22	537 03 38-03	LABEL		1	18
23	537 03 35-72	CLUTCH COVER ASSY		1	18
24	503 21 28-10	SCREW CCRPANT		1	18, 23
25	537 04 34-01	CHAIN GUIDE		1	18, 23
26	503 21 28-10	SCREW CCRPANT		1	18, 23
27	537 01 68-01	COVER		1	18, 35
28	537 01 74-01	BEARING SLEEVE		1	18, 35
29	503 99 83-01	PAWL		1	18, 35
30	537 07 95-02	WORM SCREW		1	18, 35
31	503 23 00-66	WASHER		1	18, 35
32	537 07 94-02	WORM WHEEL		1	18, 35
33	503 23 00-63	WASHER		1	18, 35
34	740 48 07-02	O-RING		1	18, 35
35	537 04 41-02	CHAIN TENSIONER		1	18

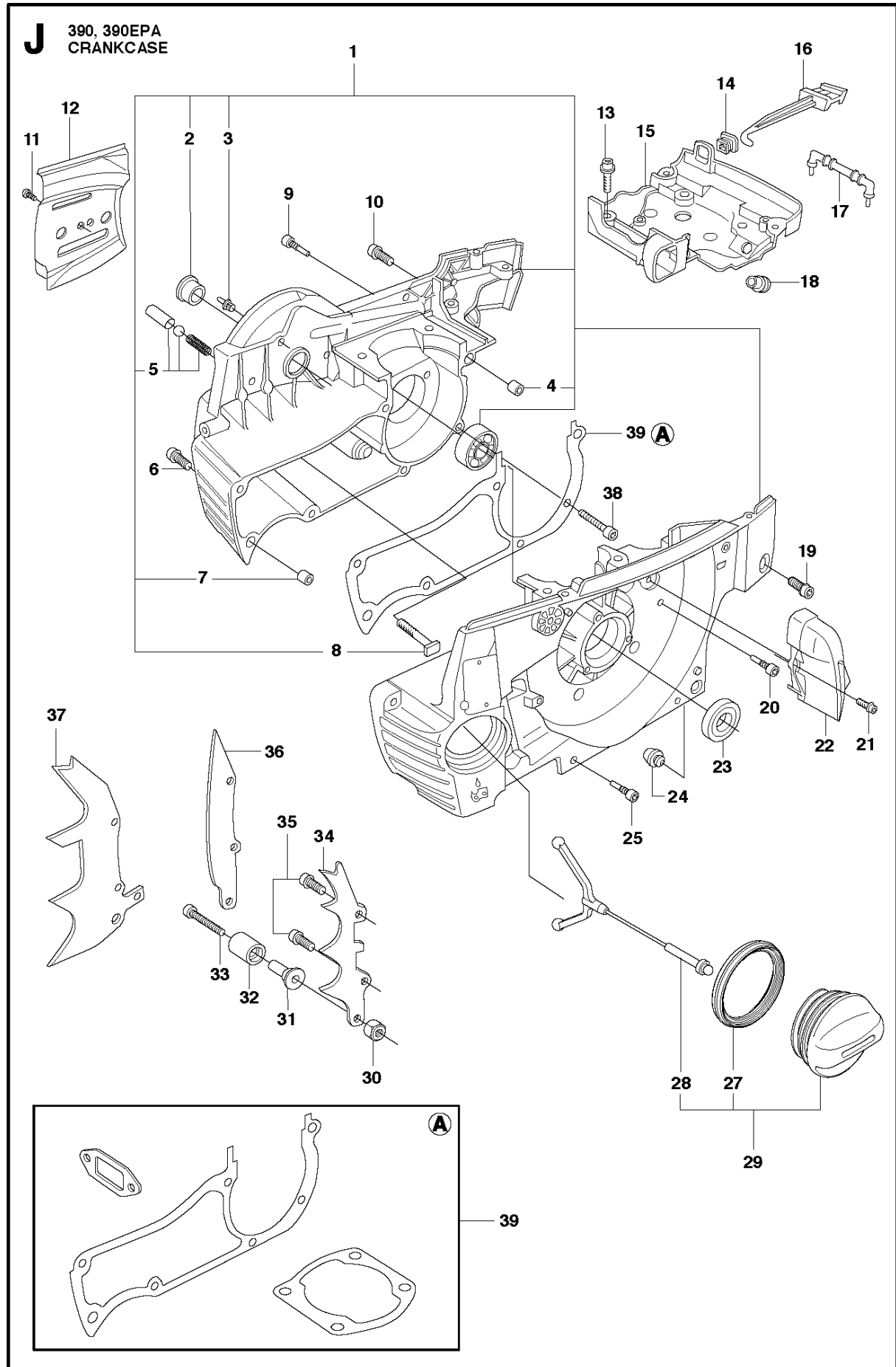
**B** 390, 390EPA  
CLUTCH & OIL PUMP



## CLUTCH &amp; OIL PUMP

390XP from 2016-03 -

Ref	Part No	Description	Remark	QTY	KIT
1	503 52 13-05	OIL PUMP ASSY		1	
2	503 62 49-01	SEALING PLUG		1	1
3	537 10 64-01	PUMP PISTON		1	1
4	725 53 29-56	SCREW IHSCM		2	
5	503 23 00-04	WASHER		2	1
6	501 61 58-01	SPRING		1	1
7	537 39 60-01	INSERT		1	1
8	503 42 67-01	OIL HOSE		1	
9	501 54 41-02	OIL SCREEN		1	
10	503 77 43-01	OIL PIPE		1	
11	503 64 47-01	INLET PIPE		1	
12	504 30 00-26	SEALING		1	
13	503 97 50-01	CLUTCH ASSY		1	
14	503 97 51-01	CLUTCH SPRING		3	13
15	503 43 20-01	NEEDLE HOLDER		1	18
16	501 59 80-02	RIM	"3/8"x7T"	1	18
16	505 30 36-61	RIM	"3/8"x8T"	1	18
16	501 59 79-02	RIM	.404x7	1	18
17	537 20 78-06	PUMP PINION		1	
18	537 13 79-71	CLUTCH DRUM	"3/8"x7T"	1	
18	537 13 79-72	CLUTCH DRUM	"3/8"x8T"	1	
18	537 13 79-02	CLUTCH DRUM	.404x7	1	
19	503 75 24-01	WASHER		1	
20	503 27 21-01	E-CLIP		1	
21	537 25 75-01	CLUTCH ASSY		1	
22	503 14 51-01	CLUTCH SPRING		3	21



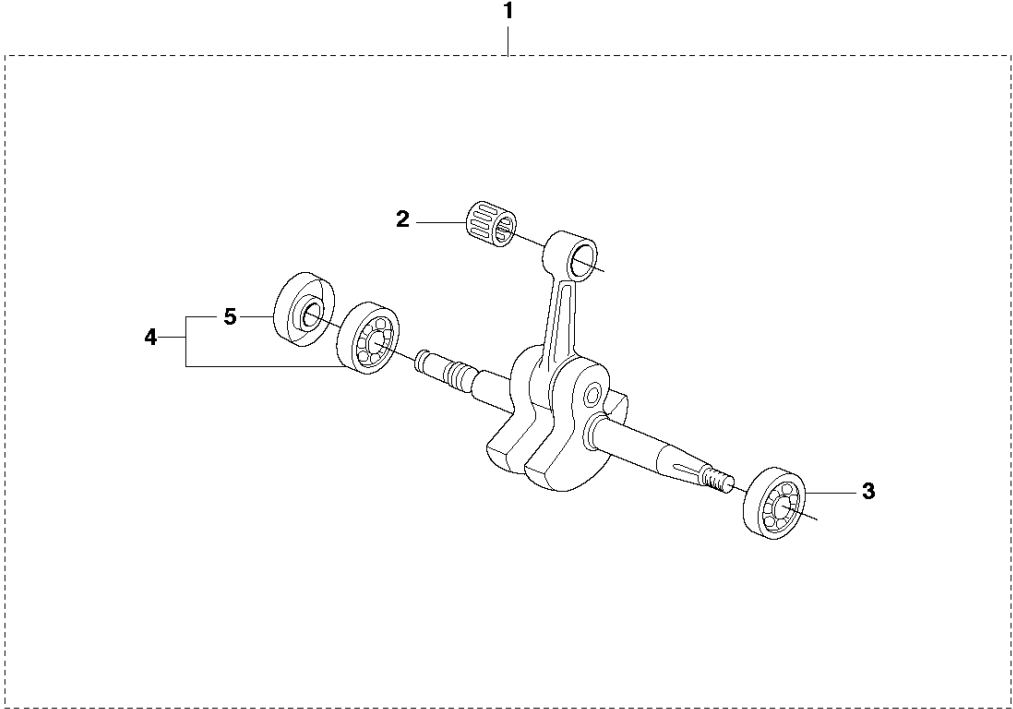


## CRANKCASE

390XP from 2016-03 -

Ref	Part No	Description	Remark	QTY	KIT
1	503 99 11-05	CRANKCASE ASSY		1	
2	503 96 70-01	BUSHING		1	1
3	503 75 18-01	PIN KNEE-JOINT		1	1
4	501 27 08-01	GUIDE BUSHING		1	1
5	537 04 03-01	VALVE		1	1
6	503 21 88-74	SCREW IH SCT		1	
7	501 27 08-01	GUIDE BUSHING		1	1
8	537 05 13-01	BAR BOLT		2	1
9	503 74 93-01	SCREW		1	
10	503 21 88-74	SCREW IH SCT		1	
11	503 21 28-10	SCREW CCRPANT		1	
12	537 04 66-01	KIT		1	
13	503 20 02-12	SCREW IHSCFM		4	
14	503 73 44-01	GROMMET		1	
15	537 00 14-02	CARBURETTOR		1	
16	537 00 12-01	CHOKE CONTROL		1	
17	579 46 89-01	SUPPORT		1	
18	537 09 54-01	GROMMET		1	
19	503 21 88-74	SCREW IH SCT		1	
20	503 74 93-01	SCREW		1	
21	503 20 02-12	SCREW IHSCFM		1	
22	537 00 79-01	NOZZLE ASSY		1	
23	503 26 02-05	SEALING RING		1	
24	503 84 61-01	BUFFER		2	
25	503 74 93-01	SCREW		1	
27	537 21 50-01	SEALING		1	29
28	503 57 89-01	HOLDER		1	29
29	537 21 52-02	TANK CAP ASSY		1	
30	503 22 24-01	LOCK NUT		1	
31	537 08 92-01	CHAIN CATCHER		1	
32	537 02 44-01	WEAR PROTECTION		1	
33	503 20 02-30	SCREW IHSCFM		1	
34	537 01 71-01	SPIKE		1	
35	503 21 26-16	SCREW IHPANM		2	
36	537 04 29-01	BUMPER		1	
37	537 01 72-01	SPIKE	WA	1	
38	503 20 16-35	SCREW IHSCFM		6	
39	537 03 39-01	GASKET KIT	A = Set of gaskets	1	

**E** 390, 390EPA  
CRANKSHAFT

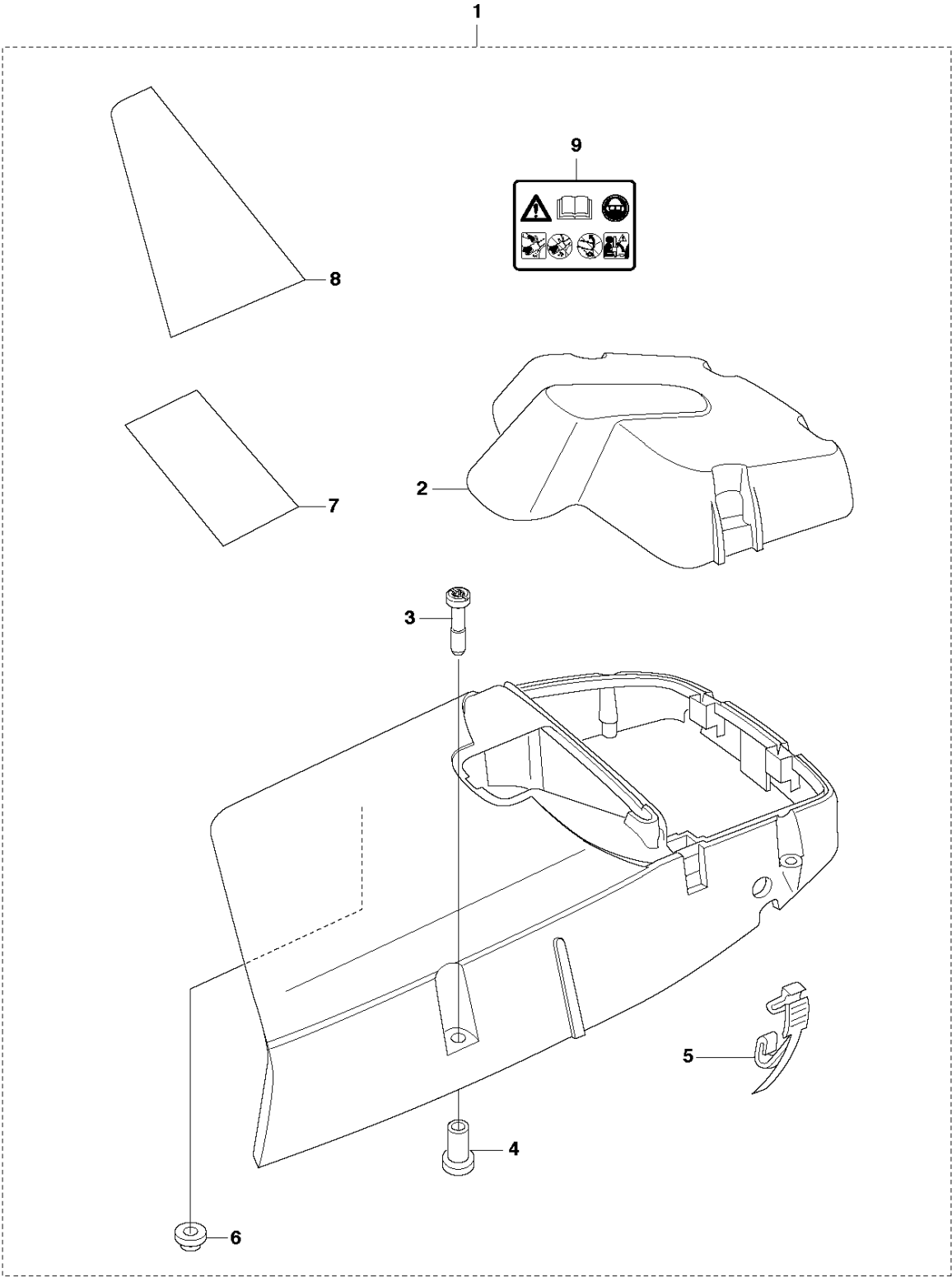


## CRANKSHAFT

390XP from 2016-03 -

Ref	Part No	Description	Remark	QTY KIT	
1	503 99 34-04	CRANKSHAFT		1	
2	503 25 61-01	NEEDLE BEARING		1	1
3	738 22 03-25	BALL BEARING		1	1
4	503 25 13-02	BALL BEARING		1	1
5	584 22 65-01	SEALING RING		1	1, 4

**C** 390XP  
CYLINDER COVER



CYLINDER COVER

390XP from 2016-03 -

Ref	Part No	Description	Remark	QTY KIT	
1	537 00 07-01	CYLINDER COVER ASSY	Std	1	
1	537 00 07-02	CYLINDER COVER ASSY	Hd	1	1
2	537 00 09-01	FILTER COVER	Std	1	
2	537 00 10-01	FILTER COVER	Hd	1	1
3	588 48 73-01	SCREW CITXPANMO		3	1
4	537 13 72-01	SLEEVE		3	1
5	503 74 01-02	SNAP		4	1
6	537 01 65-01	SUPPORT		1	1
7	537 07 23-01	HEAT PROTECTOR		1	1
8	537 06 96-01	HEAT PROTECTOR		1	1
9	503 98 74-01	LABEL		1	1



## CYLINDER PISTON

390XP from 2016-03 -

Ref	Part No	Description	Remark	QTY	KIT
1	544 00 65-02	CYLINDER ASSY		1	
2	503 28 90-53	PISTON RING		2	12
3	737 44 13-00	CIRCLIP		2	12
4	503 25 61-01	NEEDLE BEARING		1	1
5	537 00 57-01	GASKET		1	11
6	503 77 59-01	GASKET		1	11
7	537 08 62-01	HEAT DEFLECTOR		1	
8	503 71 53-01	DECOMPRESSION VALVE		1	
9	725 53 33-55	SCREW IHSCM		4	
10	503 23 51-11	SPARK PLUG	BPMR7A	1	
11	537 03 39-01	GASKET KIT	A = Set of gaskets	1	
12	537 42 02-02	PISTON ASSY		1	1



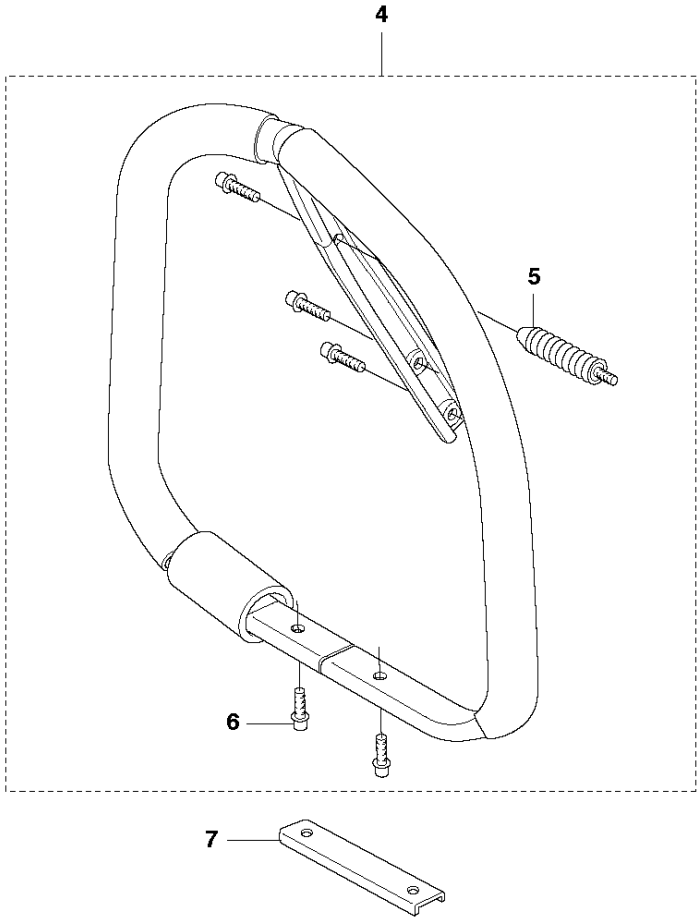
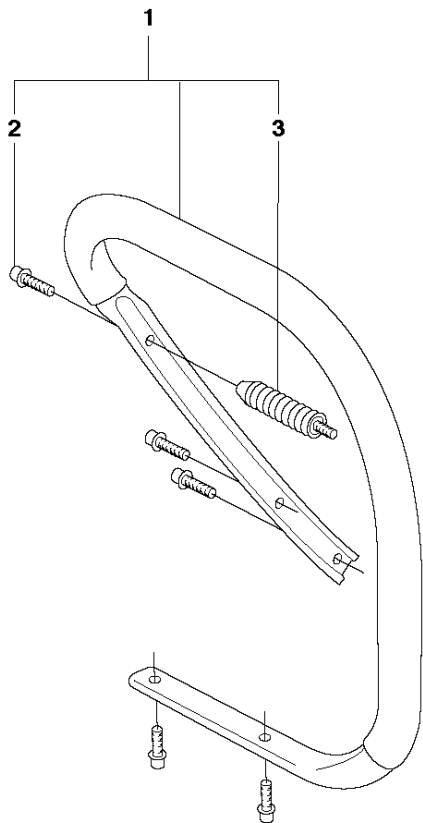


## FUEL TANK &amp; HANDLE

390XP from 2016-03 -

Ref	Part No	Description	Remark	QTY	KIT
1	537 00 03-71	FUEL TANK		1	
2	720 12 72-20	PARALLEL PIN		1	1
3	503 82 98-01	TRIGGER		1	1
4	503 73 64-01	SPRING		1	1
5	720 12 40-20	PARALLEL PIN		1	1
6	503 71 76-01	THROTTLE WIRE ASSY		1	1
7	581 75 61-06	FUEL HOSE		1	1
8	537 09 22-01	TANK VENT ASSY		1	1
9	537 09 93-01	CONNECTION BEND		1	1
10	503 21 88-74	SCREW IHSCT		1	1
11	537 00 88-01	COVER		1	1
12	537 03 34-01	HANDLE INSERT		1	
13	537 01 79-01	INSULATOR		2	
13	537 01 79-02	INSULATOR	Hard	2	
14	537 03 34-01	HANDLE INSERT		1	
16	537 21 50-01	SEALING		1	18
17	503 57 89-01	HOLDER		1	18
18	537 21 52-02	TANK CAP ASSY		1	
19	537 01 75-01	INSULATOR		1	
19	537 01 75-02	INSULATOR	Hard	1	
20	503 44 32-01	FILTER		1	
21	581 75 62-02	FUEL HOSE		1	
22	503 55 66-01	THROTTLE LOCKOUT		1	1
23	501 49 27-03	BLIND COVER		1	1

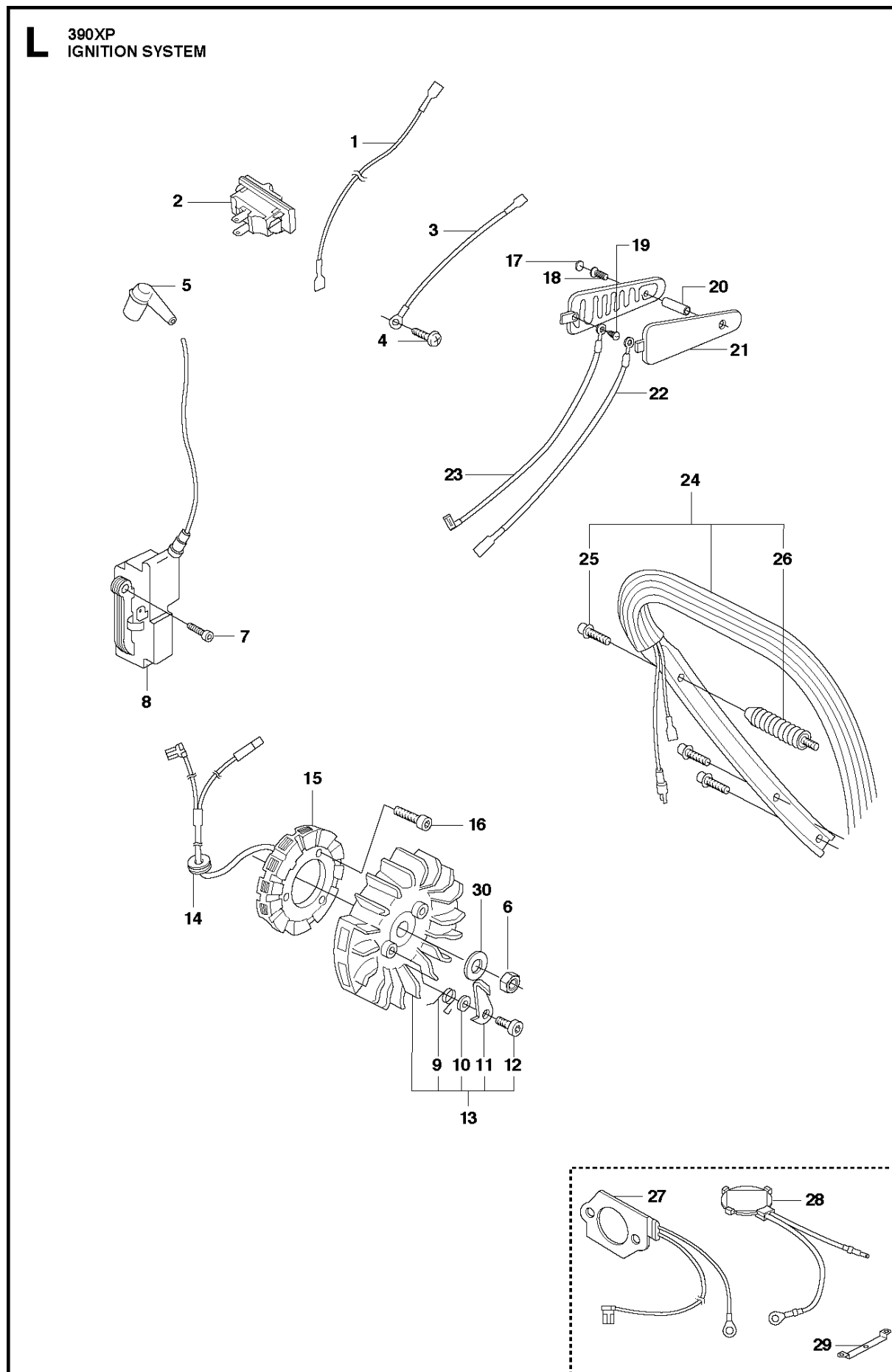
**K** 390XP  
HANDLE



## HANDLE

390XP from 2016-03 -

Ref	Part No	Description	Remark	QTY KIT	
1	503 98 66-71	FRONT HANDLE ASSY		1	
	503 98 66-02	FRONT HANDLE ASSY	(G)	1	
2	503 21 88-74	SCREW IHSCT		5	1
3	503 52 87-02	LATERAL SUPPORT ASSY		1	1
4	503 98 67-71	FRONT HANDLE ASSY	WA	1	
4	503 98 67-72	FRONT HANDLE ASSY	WA (G)	1	
5	503 52 87-02	LATERAL SUPPORT ASSY	WA	1	4
5	503 68 45-03	ANTIVIBRATION ELEMENT	WA (G)	1	
6	503 21 88-74	SCREW IHSCT	WA	5	4
7	537 03 73-01	REINFORCING PLATE	WA	1	

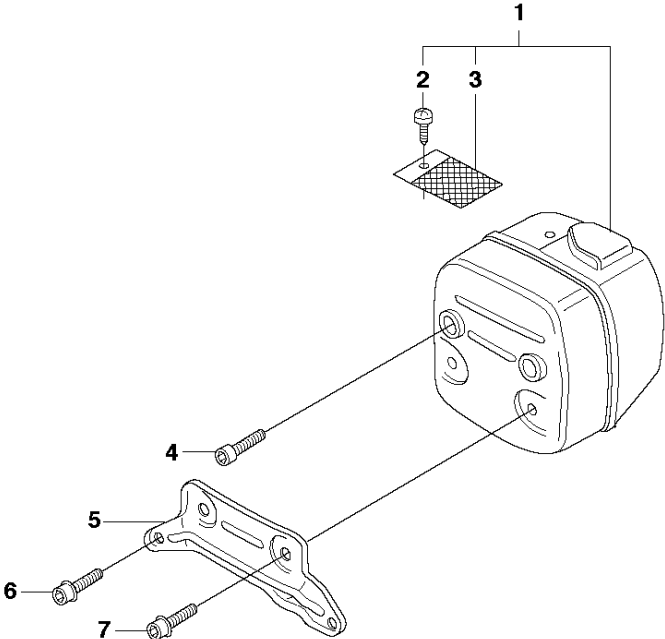


## IGNITION SYSTEM

390XP from 2016-03 -

Ref	Part No	Description	Remark	QTY	KIT
1	503 62 61-02	CABLE		1	
2	503 71 82-01	SWITCH		1	
2	503 71 82-02	SWITCH	G	1	
3	503 89 76-01	CABLE		1	
4	503 21 28-10	SCREW CCRPANT		1	
5	501 48 54-02	SPARK PLUG CAP		1	
6	503 22 10-11	HEXAGON NUT		1	
7	586 28 93-01	SCREW IHSCM		2	
8	510 11 49-01	IGNITION MODULE	Speed limited	1	
9	501 67 35-01	SPRING		2	13
10	503 23 00-42	WASHER		2	13
11	537 01 55-01	STARTER PAWL		2	13
12	501 81 99-01	SCREW		2	13
13	537 05 16-05	FLYWHEEL ASSY		1	
13	537 05 16-06	FLYWHEEL ASSY	G	1	
14	501 27 13-02	CABLE GROMMET	G	1	
15	537 07 18-02	STATOR ASSY	G	1	
16	725 52 91-56	SCREW IHSCM	G	3	
17	501 79 51-02	COVER WASHER	G	2	
18	724 32 24-05	SCREW CRCSFM	G	2	
19	503 21 29-06	SCREW CCRPANT	G	2	
20	537 05 26-01	SPACER	G	1	
21	501 62 93-08	HANDLE INSERT	G	2	
22	537 04 06-01	CABLE	G	1	
23	537 04 05-01	CABLE	G	1	
24	503 98 66-72	FRONT HANDLE ASSY	G	1	
25	503 21 88-74	SCREW IHSCM		5	24
26	503 68 45-03	ANTIVIBRATION ELEMENT		1	24
27	537 06 53-02	FOIL ELEMENT		1	
28	537 18 98-01	THERMOSTAT ASSY		1	
29	537 06 32-01	RETAINER		1	
30	503 08 52-01	WASHER		1	

**F** 390, 390EPA  
MUFFLER

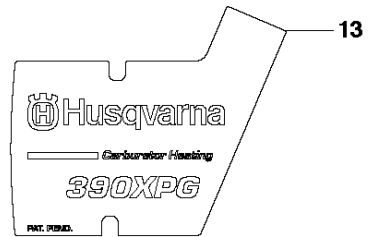
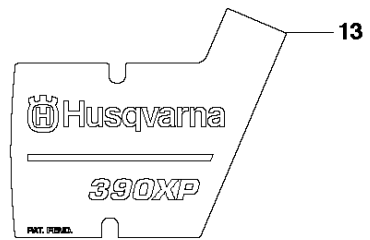
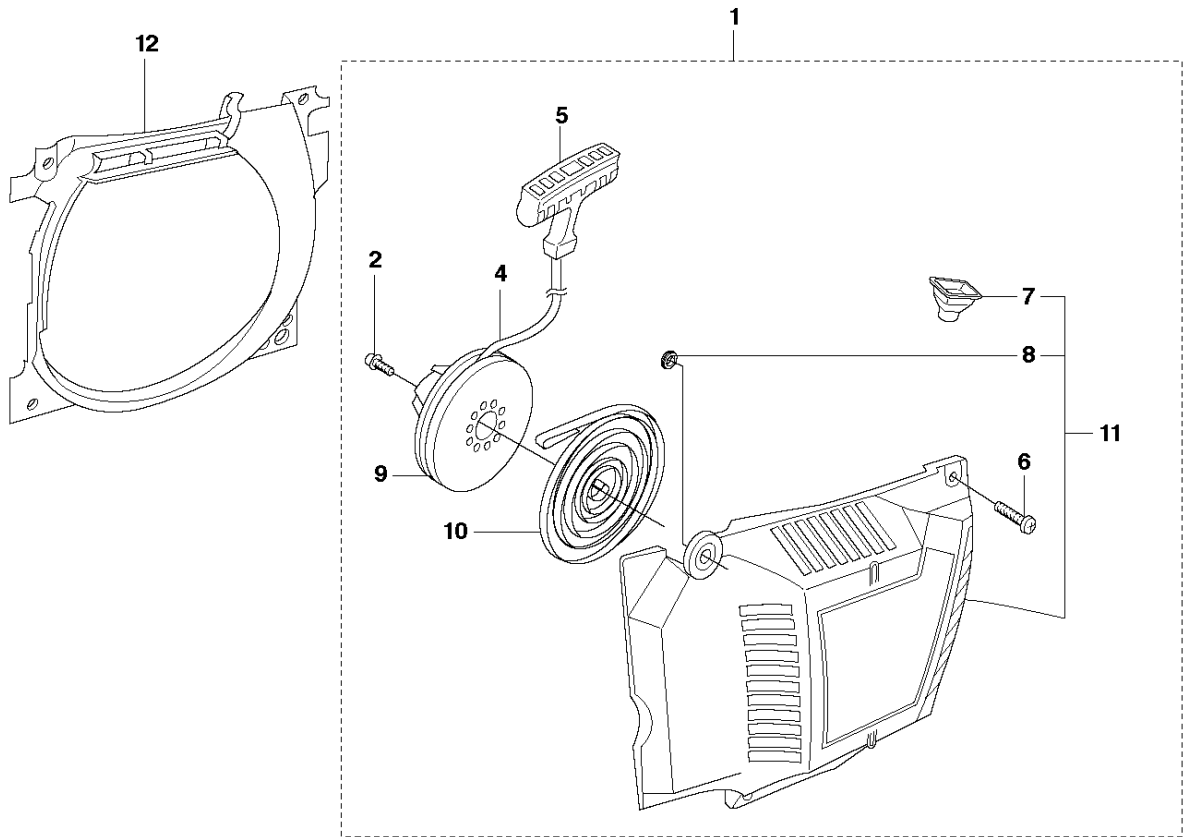


## MUFFLER

390XP from 2016-03 -

Ref	Part No	Description	Remark	QTY	KIT
1	585 44 83-01	MUFFLER ASSY	DF	1	
1	585 44 82-01	MUFFLER ASSY	Jungle	1	
2	724 12 87-59	SCREW CRPANM		1	1
3	503 76 64-02	SPARK ARRESTER SCREEN		1	1
4	725 53 70-55	SCREW IHSCM		2	
5	579 02 59-01	SUPPORT		1	
6	503 20 02-16	SCREW IHSCFM		2	
7	503 20 07-12	SCREW IHSCFM		2	

**M** 390, 390EPA  
STARTER





## STARTER

390XP from 2016-03 -

Ref	Part No	Description	Remark	QTY	KIT
1	537 00 38-71	STARTER ASSY		1	
2	503 21 52-16	SCREW IHSCFT		1	1
4	503 43 29-02	STARTER CORD		1	1
5	503 54 39-01	STARTER HANDLE		1	1
6	544 08 03-01	SCREW		4	1,11
7	501 63 06-01	SLEEVE		1	1,11
8	537 08 67-01	BUSHING		1	1,11
9	503 85 96-01	STARTER PULLEY		1	1
10	503 78 72-01	RECOIL SPRING		1	1
11	537 00 39-71	STARTER HOUSING		1	1
12	537 00 13-01	AIR CONDUCTOR		1	
13	537 32 70-03	LABEL		1	
13	537 32 70-04	LABEL	G	1	

# Illustrated Parts List - IPL Update



Product Name(s)

**390 XP**

Description of change

1. New screw with torx grip to cylinder cover provides better condition for tightening. Torx wrench added in tool kit.
2. Torx wrench added in tool kit. Tool kit included in box. Grease and Grease gun removed from tool kit.
3. Torx wrench T27/T20 available as spare part.
4. New sealing ring.

Comments

Fully interchangeable

Introduced from

Serial number / Date	Remark
20154900001 -	Screw 588 48 73-01
20161300001 -	Tool kit 501 75 47-01
20153600001 -	Sealing ring 584 22 65-01

IPL updates

Page Title	Ref no	New part no	Name	Excl. part no.	Remark
Cylinder cover	3	588 48 73-01	Screw	503 20 44-26	
Accessories	1	501 75 47-01	Tool kit	503 55 85-02	
	7	575 88 07-01	Wrench T27/T20	501 68 89-01	
Crank shaft	5	584 22 65-01	Sealing ring	503 26 22-01	

## 1. Screw



588 48 73-01



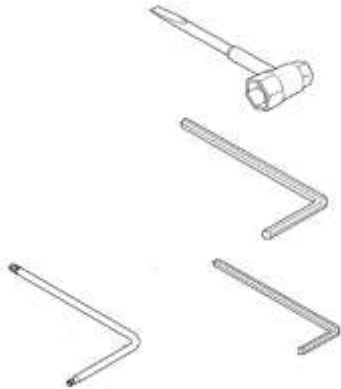
503 20 44-26



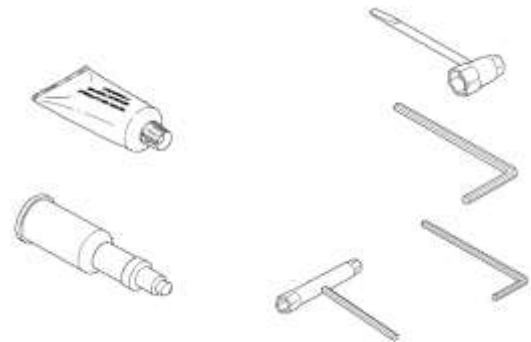
Husqvarna  
Group

## Illustrated Parts List - IPL Update

### 2. Tool kit



501 75 47-01



503 55 85-02

### 3. Wrench Torx T27/T20



575 88 07-01