

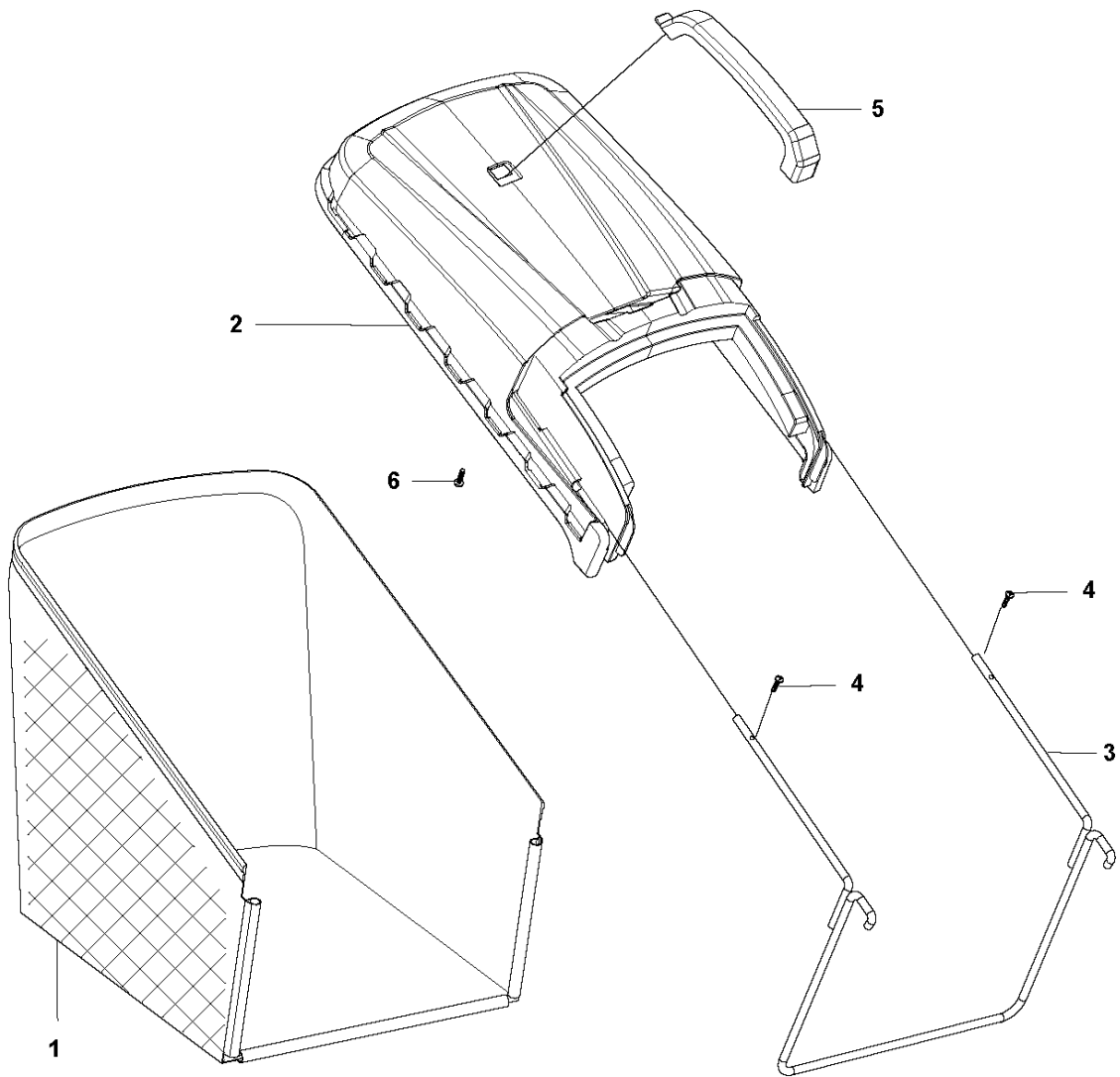


SPARE PARTS LIST

LAWN MOWERS: CONSUMER
WALK-BEHINDS

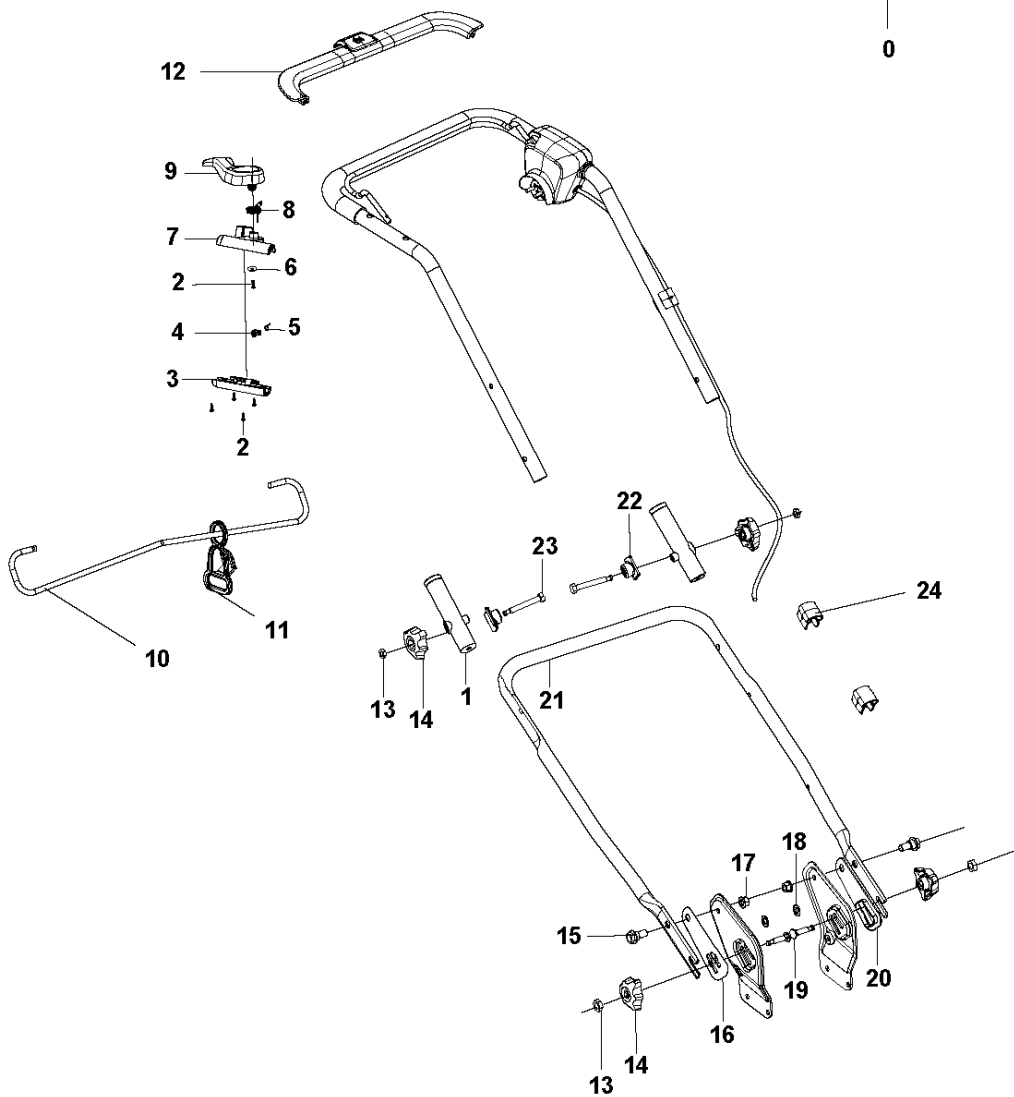
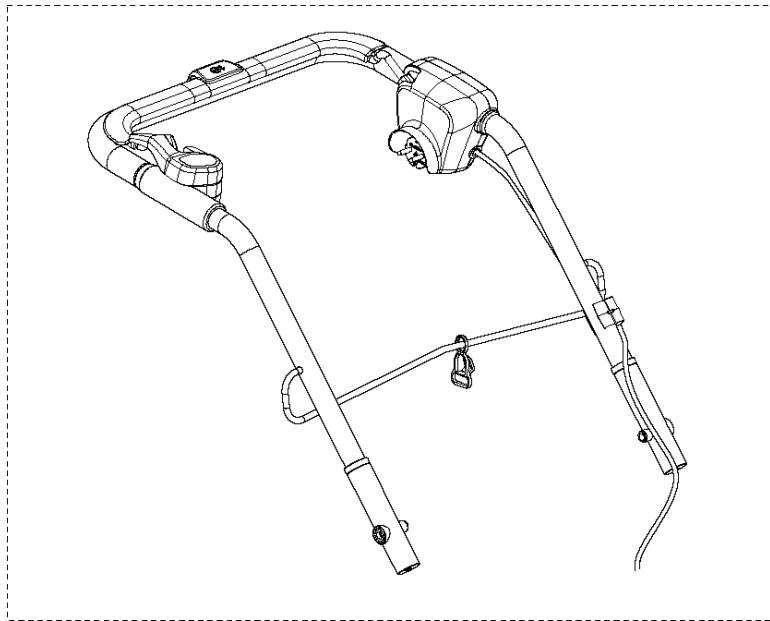
LC141C, 967099301, 2016-10

D LC141C
BAGGER



Ref	Part No	Description	Remark	QTY KIT
1	587 58 63-01	GRASSBAG		1
2	587 58 60-01	COVER		1
3	587 91 18-01	BRACKET		1
4	587 91 21-01	SCREW		2
5	587 58 61-01	HANDLE		1
6	587 91 23-01	SCREW		1

B LC141C
HANDLE

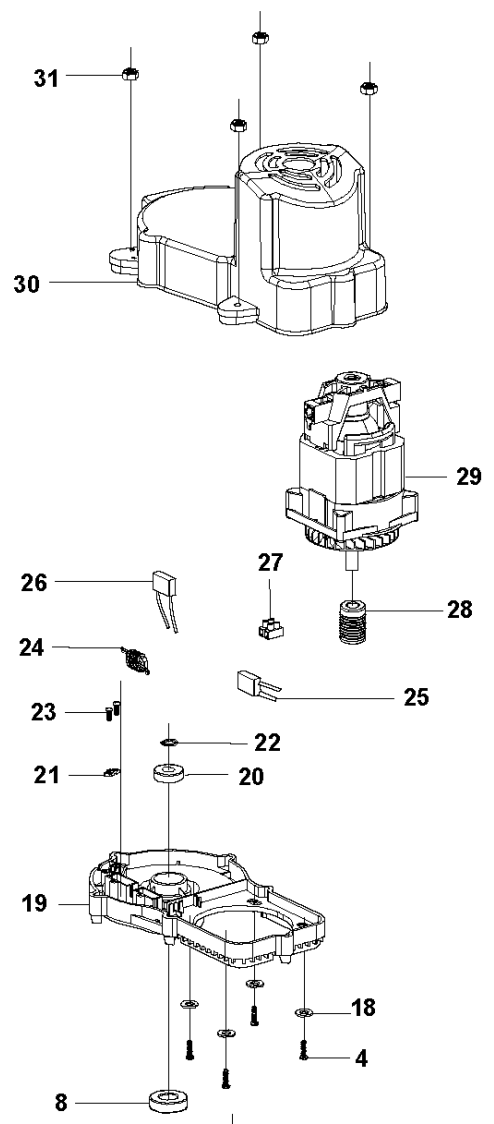
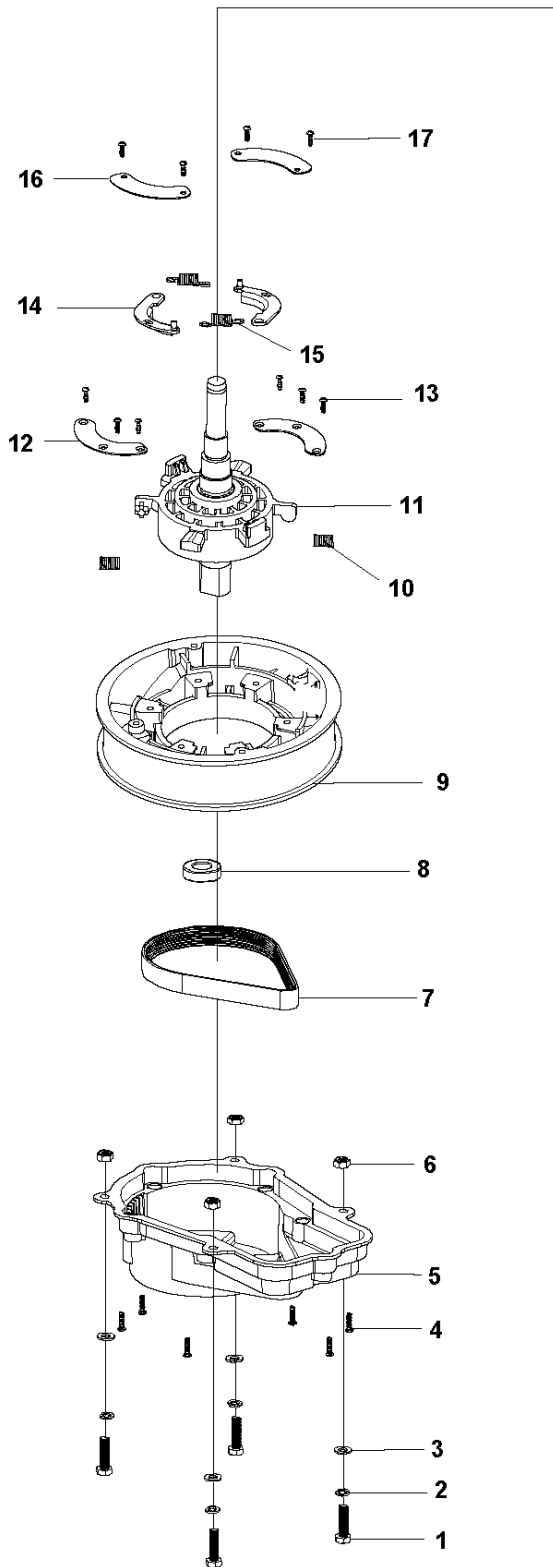


HANDLE

LC141C, 967099301, 2016-10

Ref	Part No	Description	Remark	QTY	KIT
0	590 29 73-01	HANDLE KIT		1	
1	582 89 67-01	COVER		2	0
2	579 68 67-01	SCREW		5	0
3	582 89 58-01	COVER		1	0
4	582 89 68-01	RELAY		1	0
5	589 79 25-01	SPRING		1	0
6	579 68 65-01	WASHER		1	0
7	582 89 57-01	COVER		1	0
8	579 68 88-01	TORSION SPRING		1	0
9	501 49 04-01	COVER		1	0
10	589 78 03-01	BAIL		1	0
11	582 89 63-01	CABLE GUIDE		1	0
12	582 89 56-01	GRIP		1	0
13	587 91 33-01	HEXAGON NUT		4	
14	587 58 58-01	KNOB		4	
15	502 42 99-01	BOLT		2	
16	501 05 56-01	PLATE		1	
17	587 91 35-01	LOCKING BOLT		2	
18	502 25 87-01	SPACER RING		2	
19	502 25 99-01	BOLT		2	
20	501 05 55-01	PLATE		1	
21	589 77 95-01	HANDLE		1	
22	589 79 95-01	FIXING PLATE		2	
23	589 78 00-01	BOLT		2	
24	501 05 57-01	HOLDER		2	

C LC141C
MOTOR

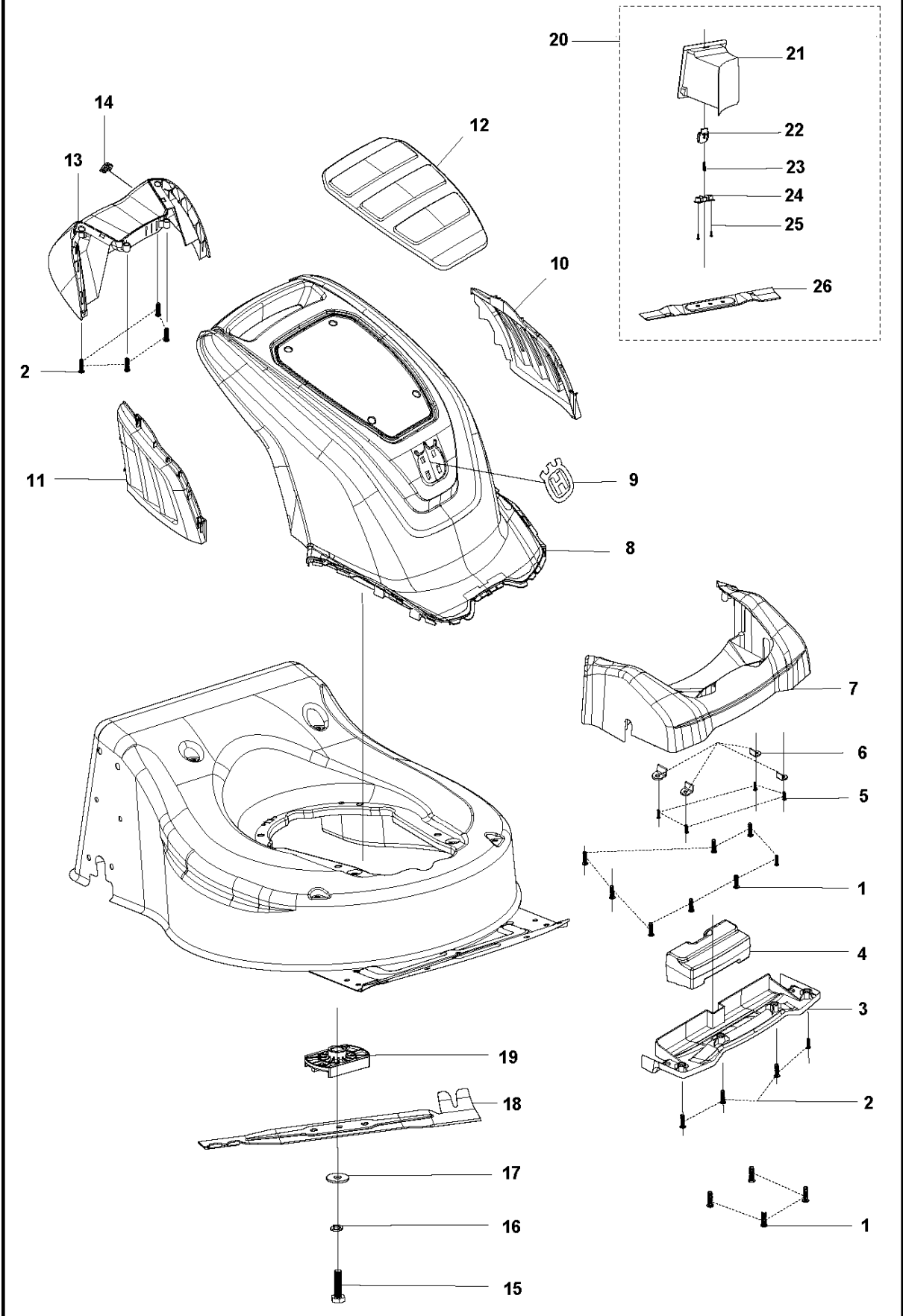


MOTOR

LC141C, 967099301, 2016-10

Ref	Part No	Description	Remark	QTY KIT
1	579 68 41-01	BOLT		4
2	579 68 42-01	SPRING WASHER		4
3	579 68 60-01	WASHER		4
4	589 79 42-01	SCREW		10
5	589 79 43-01	CANISTER		1
6	587 91 33-01	HEXAGON NUT		4
7	589 79 96-01	BELT		1
8	589 79 46-01	BEARING		2
9	589 79 47-01	BELT COVER		1
10	589 79 48-01	DRAW SPRING		2
11	589 79 49-01	SHAFT		1
12	589 79 50-01	WASHER		2
13	579 68 55-01	SCREW		6
14	589 79 78-01	FIXING PLATE		2
15	589 79 79-01	SPRING		2
16	589 79 80-01	WASHER		2
17	579 68 55-01	SCREW		4
18	589 79 82-01	LOCKWASHER		4
19	589 79 83-01	FIXING PLATE		1
20	589 79 84-01	BEARING		1
21	579 68 57-01	PLATE		1
22	589 79 85-01	CIRCLIP		1
23	579 68 55-01	SCREW		2
24	589 79 87-01	INDUCTOR		1
25	589 79 90-01	CONTROL		1
26	589 79 88-01	CAPACITOR		1
27	589 79 91-01	CONNECTING BOX		1
28	589 79 92-01	PULLEY		1
29	589 79 93-01	MOTOR		1
30	589 79 94-01	COVER		1
31	579 68 58-01	NUT		4

A2 LC141C MOWER DECK / CUTTING DECK

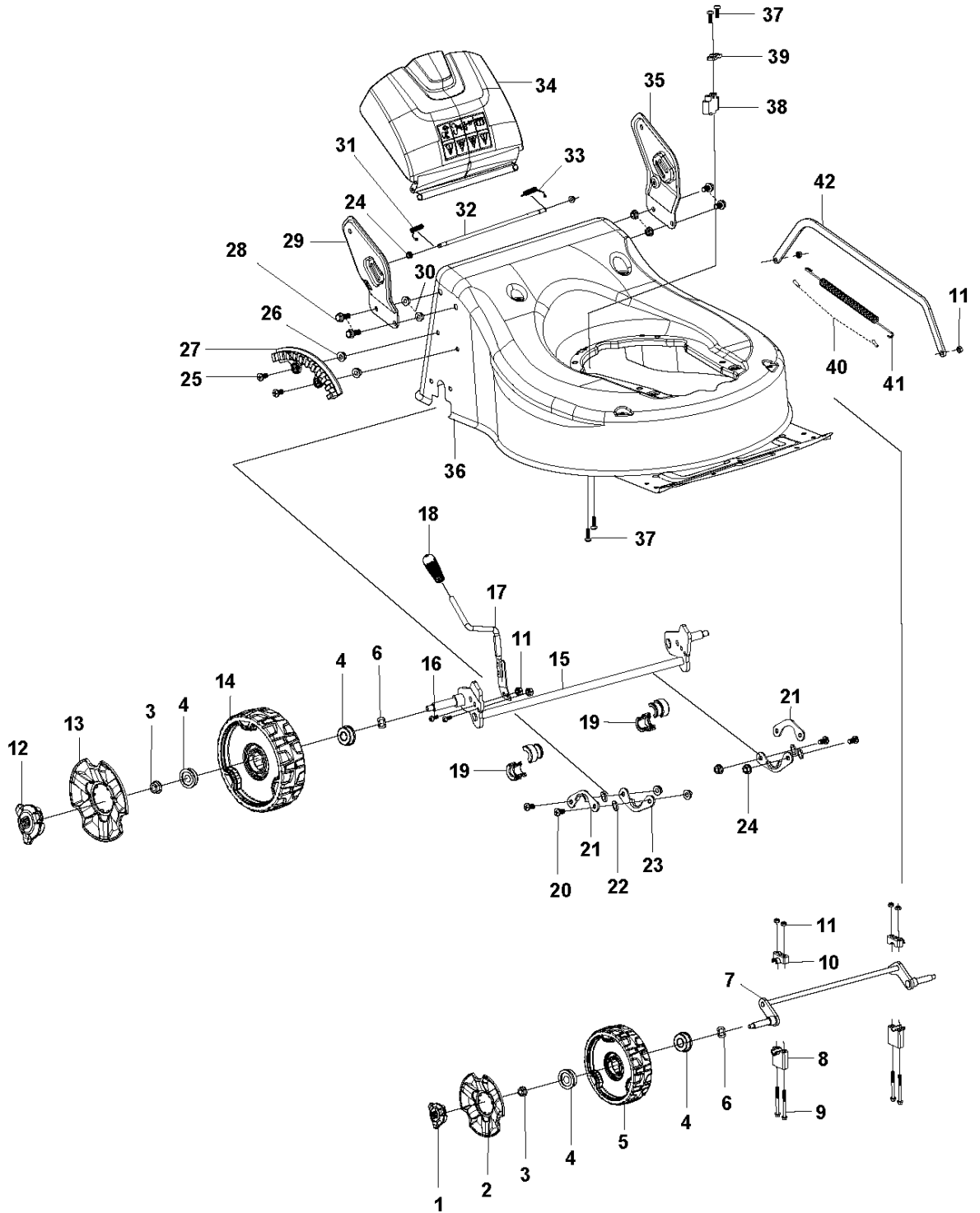


MOWER DECK / CUTTING DECK

LC141C, 967099301, 2016-10

Ref	Part No	Description	Remark	QTY	KIT
1	579 68 75-01	SCREW		12	
2	579 68 67-01	SCREW		8	
3	501 48 95-01	COVER		1	
4	579 84 39-01	WEIGHT		1	
5	579 68 55-01	SCREW		4	
6	579 68 76-01	WASHER		4	
7	501 48 89-01	COVER		1	
8	582 89 59-01	ENGINE COVER		1	
9	501 48 91-01	DECAL		1	
10	582 89 61-01	COVER		1	
11	582 89 61-02	COVER		1	
12	582 89 60-01	COVER		1	
13	501 48 88-01	COVER		1	
14	579 68 71-01	WIRE		1	
15	579 68 41-01	BOLT		1	
16	579 68 42-01	SPRING WASHER		1	
17	579 68 43-01	WASHER		1	
18	501 17 16-01	MOWER BLADE		1	
19	579 68 45-01	BLADE SUPPORT		1	
20	579 68 94-01	MULCHING KIT		1	
21	579 85 70-01	PLUG		1	20
22	579 68 93-01	BUTTON		1	20
23	579 68 92-01	SPRING		1	20
24	579 68 91-01	PLATE		1	20
25	579 68 67-01	SCREW		2	20
26	579 85 69-01	BLADE		1	20

A1 LC141C MOWER DECK / CUTTING DECK



MOWER DECK / CUTTING DECK

LC141C, 967099301, 2016-10

Ref	Part No	Description	Remark	QTY KIT
1	587 58 50-01	WHEEL COVER		2
2	501 49 15-01	COVER		2
3	587 91 35-01	LOCKING BOLT		4
4	587 91 29-01	BEARING		8
5	501 49 16-01	WHEEL ASSY		2
6	587 91 46-01	WASHER		4
7	579 68 48-01	FRONT AXLE ASSY		1
8	579 68 47-01	SUPPORT		2
9	579 68 46-01	BOLT		4
10	579 68 49-01	SUPPORT		2
11	587 91 31-01	LOCKING BOLT		8
12	587 58 51-01	WHEEL COVER		2
13	587 58 53-01	WHEEL COVER		2
14	587 91 80-01	WHEEL		2
15	579 68 50-01	REAR AXLE ASSY		1
16	587 91 27-01	WASHER		2
17	502 50 27-01	HANDLE ASSY		1
18	587 58 57-01	KNOB		1
19	587 91 79-01	COVER		4
20	587 91 26-01	SCREW		4
21	587 99 24-01	FIXING PLATE		2
22	587 99 25-01	O-RING		4
23	587 91 09-01	FIXING PLATE		2
24	587 91 34-01	LOCK NUT		6
25	579 68 51-01	BOLT		2
26	579 68 52-01	NUT		2
27	587 90 99-01	SEGMENT		1
28	587 91 39-01	BOLT		4
29	501 05 44-01	BRACKET		1
30	579 68 79-01	NUT		4
31	587 91 51-01	SPRING		1
32	502 23 10-01	ROD		1
33	587 91 50-01	BRACKET		1
34	589 79 41-01	FLAP		1
35	589 77 94-01	BRACKET		1
36	579 68 54-01	DECK		1
37	579 68 55-01	SCREW		4
38	579 68 56-01	BRACKET		1
39	579 68 57-01	PLATE		1
40	587 91 58-01	TUBING		1
41	587 91 49-01	SPRING		1
42	579 68 53-01	CONNECTING ROD		1