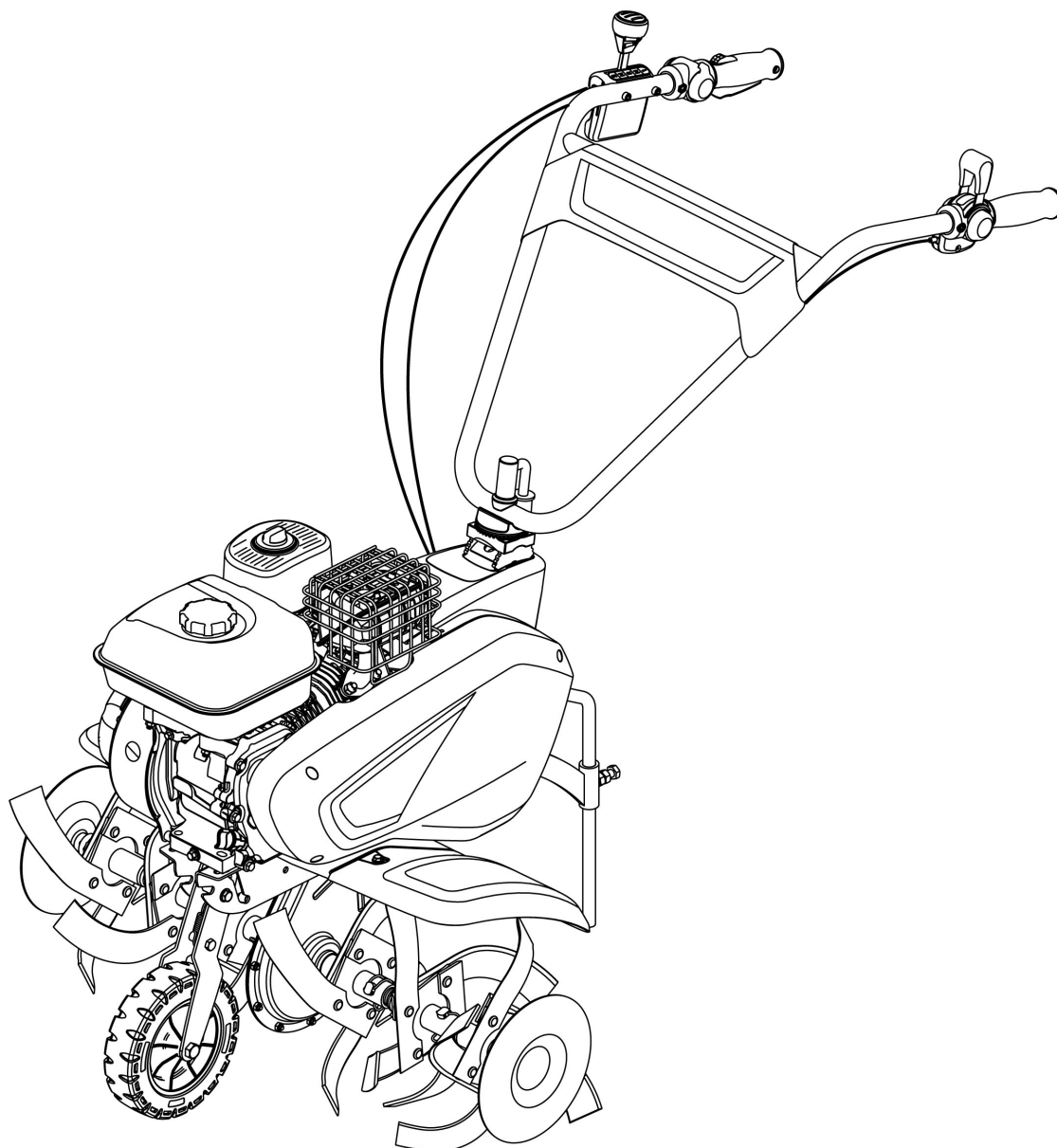
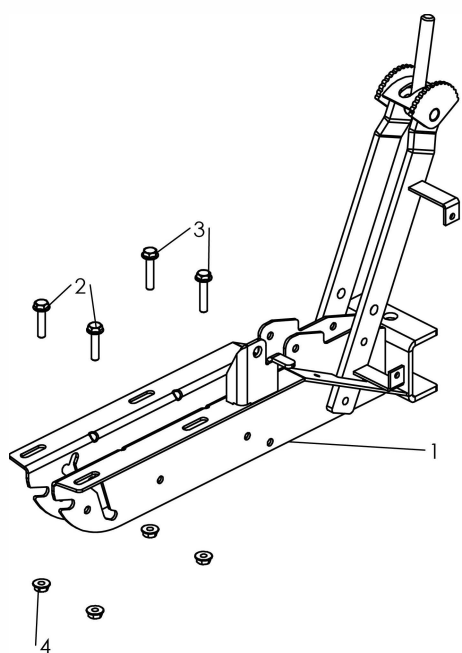


TF 435P

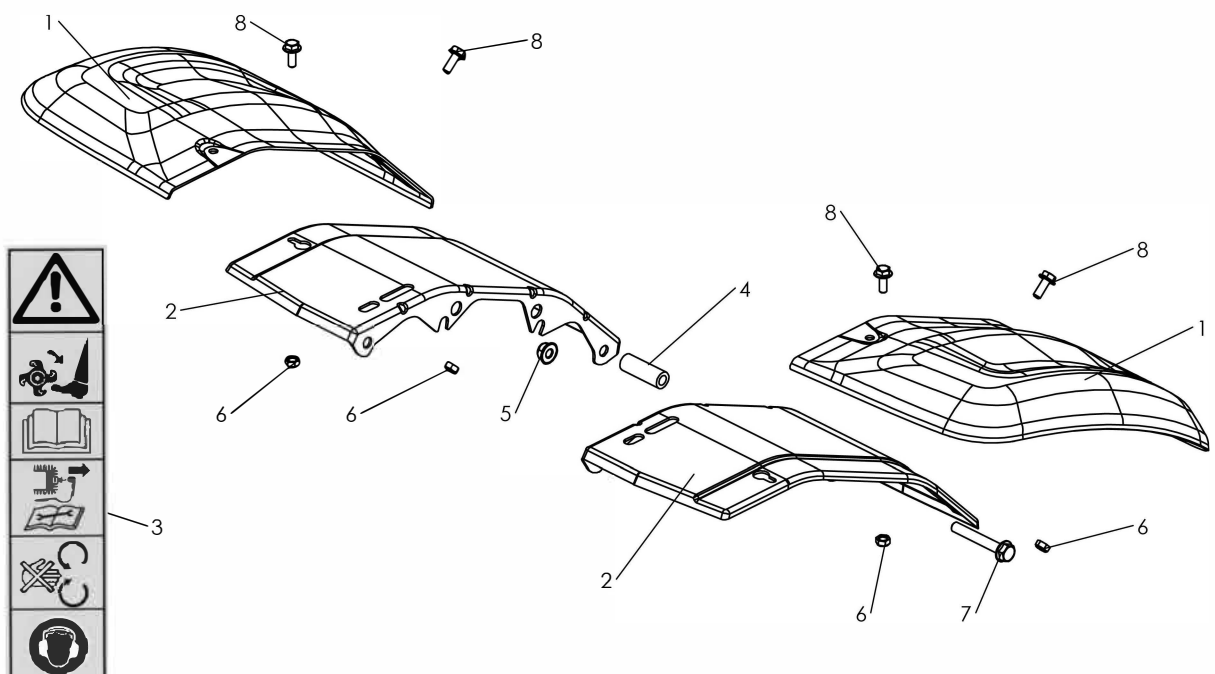
Spare parts

Pièces détachées

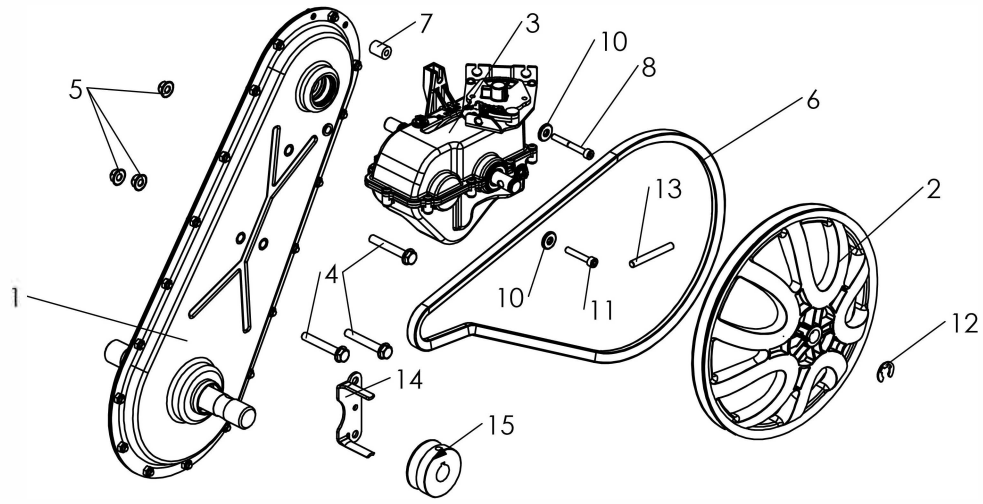




KEY NO.	PART NO.	REF.	DESCRIPTION	DESIGNATION	QTY QTE
1	580 32 21-01	3002210607	FRAME GREY 627	CHASSIS GRIS 627	1
2	544 20 73-01	0300010834	SCREW H 8X35 Z NOTCHED SHOULDER	VIS H 8X35 Z EMB CR	2
3	519 65 34-13	0300010817	SCREW H M8X40 Z NOTCHED SHOULDER	VIS H 8X40 Z EMB CR	2
4	519 65 34-30	0300260801	NUT H M8 Z NOTCHED SHOULDER	ECROU HM 8 Z EMB CR	4

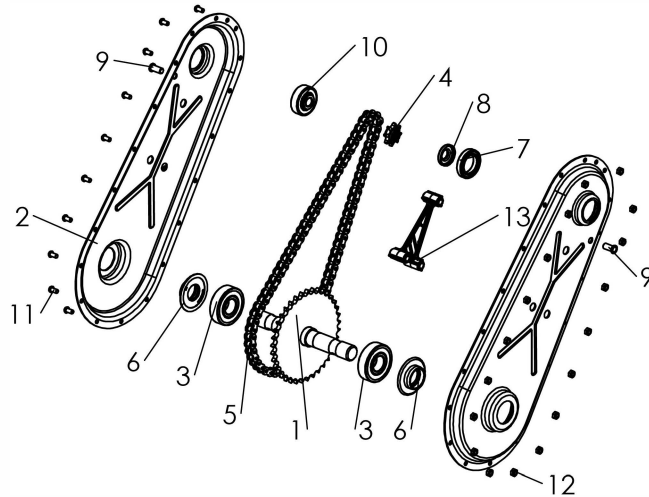


KEY NO.	PART NO.	REF.	DESCRIPTION	DESIGNATION	QTY QTE
1	590 17 10-01	3002335601	ADDITIONAL TINE GUARD ORANGE	TOLE ADDITIONNELLE ORANGE	2
2	590 17 11-01	3002000632	TINE GUARD GREY 627	TOLE PROTECTION GRIS 627	2
3	587 99 55-01	0503000094	STICKER SECURITY	ETIQ. "SECURITE"	1
4	590 17 12-01	0302020225	SPACER 8.2X14X41Z	ENTR. 14X8.2X41 Z	1
5	586 72 10-01	0300210805	SCREW BDR HM8 SMOOTH BASE	ECROU BDR HM8 EMB LISSE	1
6	732 26 16-01	0300210602	BLOCKING NUT M 6	ECROU FREIN M 6	4
7	575 36 16-01	0300010837	SCREW H 8X55 Z NOTCHED SHOULDER	VIS H 8X55 Z EMB CR FILETAGE PARTIEL	1
8	519 65 34-35	0300010609	SCREW HM 6X16 NOTCHED SHOULDER	VIS H 6X16 EMB CR	4



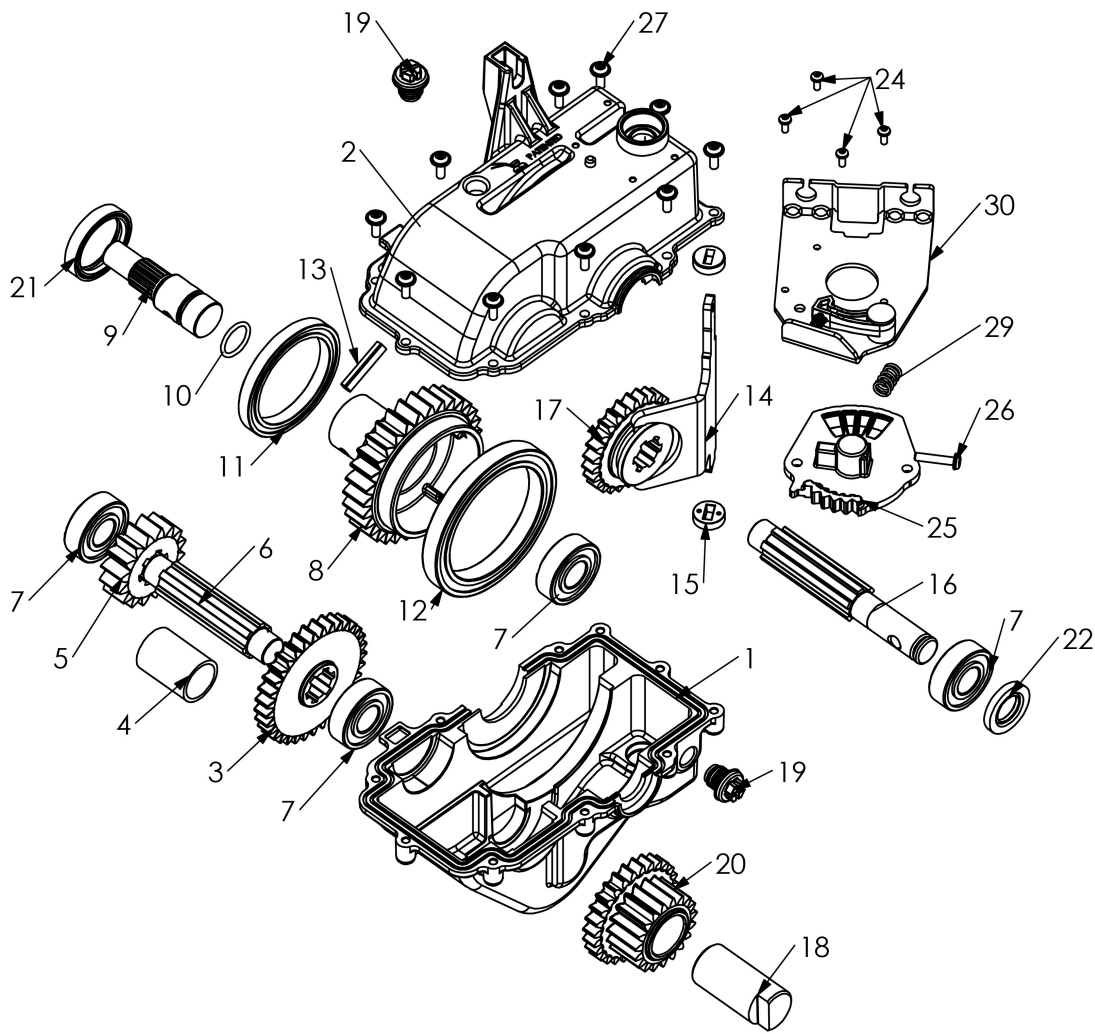
KEY NO.	PART NO.	REF.	DESCRIPTION	DESIGNATION	QTY QTE
1	580 32 10-01	3001000050	BOLTED TRANSMISSION 8/37	CARTER 8/37 BOULONNE	1
2	580 31 90-01	0340010105	TRANSMISSION PULLEY Ø260	POULIE Ø260	1
3	580 32 12-01	3001000057	GEAR BOX 2 FRONT SPEED 1 REVERSE SPEED	BOITE DE VITESSE BV2+1R DOIGT D'INDEXAGE	1
4	575 36 16-01	0300010837	SCREW H 8x55 Z DIN 6921 NOTCHED SHOULDER	VIS H 8x55 Z EMB CR FILETAGE PARTIEL	3
5	586 72 10-01	0300210805	SCREW BDR HM8 SMOOTH BASE	ECROU BDR HM8 EMB LISSE	3
6	580 31 64-01	0306030057	BELT	COURROIE	1
7	580 31 48-01	0302020112	SPACER 14X6X18.4 Z	ENTRETOISE 14X6X18.4 Z	1
8	519 65 30-10	0300020605	SCREW CHC 6 X 50 Z	VIS CHC 6 X 50 Z	1
9	732 26 16-01	0300210602	BLOCKING NUT M 6 Z	ECROU FREIN M 6 Z	1
10	531 00 83-90	0300410602	SPECIAL WASHER 6,3X19X2,5 Z	RONDELLE SPECIALE 6,3X19X2,5 Z	2
11	519 65 30-26	0300020604	SCREW CHC M6X35 Z	VIS CHC 6X35 Z	1
12	580 31 42-01	0301070026	RADIAL RETAINING RING Ø12	ANNEAU ELASTIQUE RADIAL Ø12	1
13	519 65 30-67	0302010021	PULLEY PIN SHAFT	AXE FIXATION POULIE	1
14	580 31 56-01	0304000303	DRIVE BELT ENGINE PULLEY Ø55	GUIDE COURROIE Ø55	1
15	544 24 39-01	0306060005	ENGINE PULLEY Ø55 BORE 19,06	POULIE MOTEUR Ø55 ALES 19,06	1

A

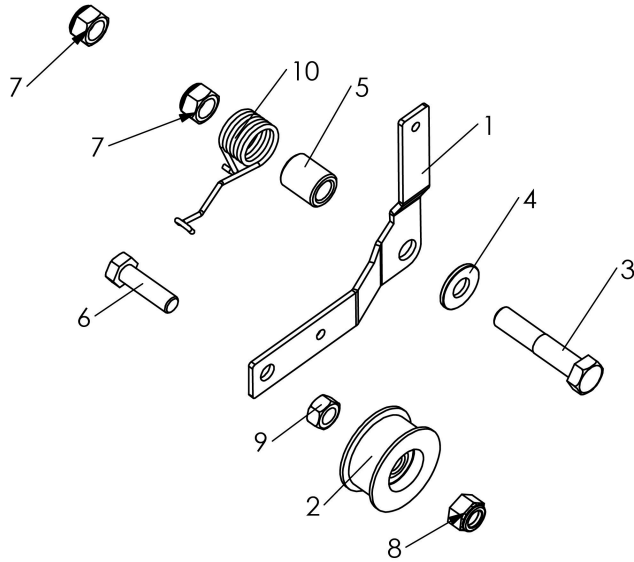


KEY NO.	PART NO.	REF.	DESCRIPTION	DESIGNATION	QTY QTE
1	580 31 70-01	0306050045	BLADE SHAFT 37 TEETH 12.7	ARBRE DE TRAVAIL 37DTS 12.7	1
2	580 32 17-01	3002210308	TRANSMISSION HOUSING 8/37 BLACK RAL 9005	JOUE DE CARTER 8/37 NOIR RAL 9005	2
3	519 65 30-53	0306010020	BALL BEARING 6305 2RS	ROULEMENT 6305 2RS	2
4	519 65 30-57	0306050016	PIGNON 8 TOOTH 12.7	PIGNON 8 DTS 12.7 SIMPLE	1
5	580 31 63-01	0306020026	CHAIN (78 LINKS RSF) 08B 12.7	CHAINE ISO 08B-1 PAS 12.7 78 MAILLONS RSF	1
6	531 00 85-76	0341000059	TRANSMISSION SEAL	JOINT CARTER	2
7	580 31 59-01	0306010037	BALL BEARING 6906 2RS	ROULEMENT 6906 2RS	1
8	580 31 53-01	0303000026	TRANSMISSION SPACER	ENTRETOISE 34.5X16X9	1
9	580 31 39-01	0300600604	INSERT M6	INSERT M6	2
10	531 00 85-46	0306010016	SPECIAL BALL BEARING 6204 2RS	ROULEMENT 6204 2RS EPAULE	1
11	580 31 37-01	0300110604	SCREW TORX M6X12	VIS TORX M6X12 T	18
12	732 26 16-01	0300210602	BLOCKING NUT M 6 Z	ECROU FREIN M 6 Z	18
13	580 31 54-01	0303000029	TRANSMISSION SPACER	ENTRETOISE 3 PTS CARTER	1

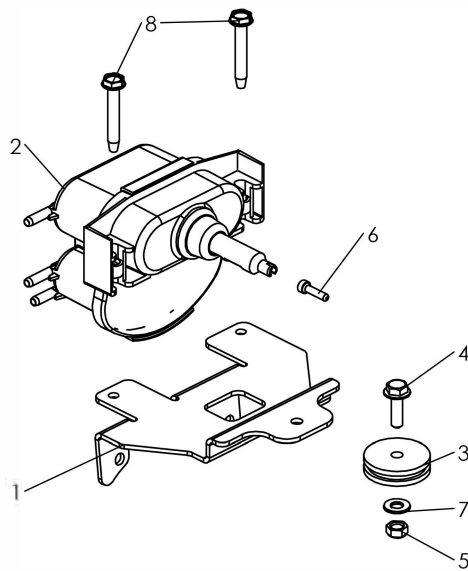
2



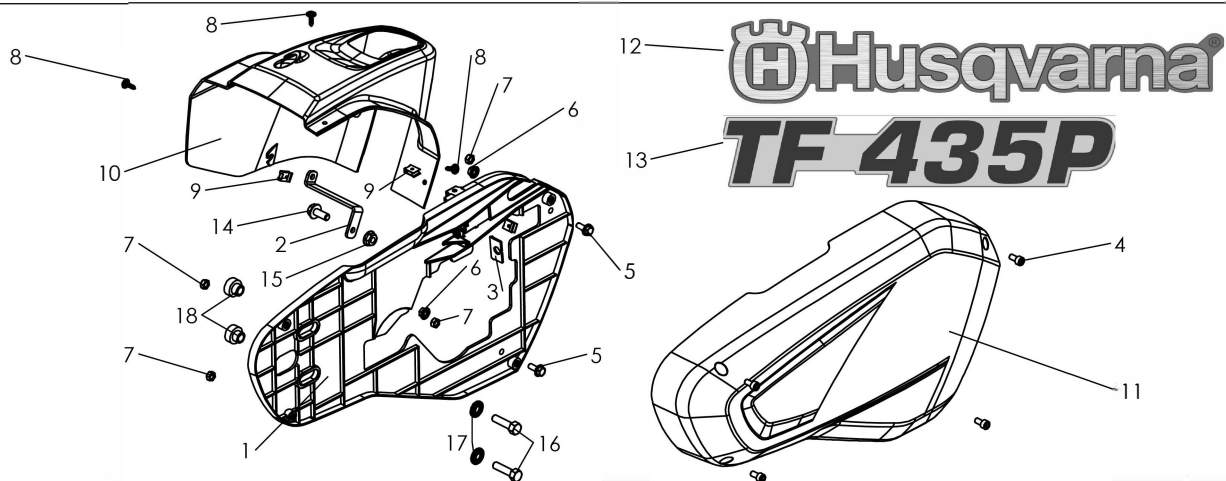
KEY NO.	PART NO.	REF.	DESCRIPTION	DESIGNATION	QTY QTE
1	580 31 84-01	0340000008	BOTTOM CARTER F0603	COQUE INFERIEUR F0603	1
2	580 31 83-01	0340000007	UPPER CARTER F0603	COQUE SUPERIEUR F0603	1
3	580 31 67-01	0306050042	1ST GEAR 33 th M2	PIGNON 1er 33 dts M2	1
4	580 31 49-01	0302020113	SPACER 20x24x33	ENTRETOISE 20x24x33	1
5	580 31 66-01	0306050041	INTERMEDIATE GEAR 16 th M2.5	PIGNON INTER 16 dts M2.5	1
6	580 31 46-01	0302010111	SECONDARY SHAFT F0603	ARBRE SECONDAIRE F0603	1
7	580 31 60-01	0306010038	Ball bearing 6202	Roulement 6202	4
8	580 31 65-01	0306050040	OUTPUT GEAR 31 th M2.5	PIGNON SORTIE BOITE 31 dts M2.5	1
9	580 31 44-01	0302010109	OUTPUT SHAFT F0603	ARBRE DE SORTIE F0603	1
10	580 31 98-01	0343010004	O'RING SEAL Ø16x2	JOINT TORIQUE Ø16x2	1
11	580 31 62-01	0306010040	BALL BEARING 6810	ROULEMENT 6810	1
12	580 31 61-01	0306010039	BALL BEARING 6813	ROULEMENT 6813	1
13	580 31 40-01	0301020018	Cotter-pin 6x28	Goupille HBK 6x28 DIN 8748 ST	1
14	580 31 55-01	3002000001	SELECTION FORK F0603 WITH TREATMENT	FOURCHETTE F0603 TRAITEE	1
15	580 31 86-01	0340000010	FORK GUIDE F0603	ENTRETOISE GUIDE FOURCHETTE F0603	2
16	580 31 45-01	0302010110	INPUT SHAFT F0603	ARBRE D'ENTREE F0603	1
17	580 31 69-01	0306050044	SELECTION GEAR 26th M2	PIGNON BALADEUR 26 dts M2	1
18	580 31 43-01	0302010108	THIRD SHAFT F0603	ARBRE TERTIAIRE MAR/1ER F0603	1
19	580 31 97-01	0341000093	CAP M12x1.5	BOUCHON M12X1.5	2
20	580 31 68-01	0306050043	REVERSE GEAR 19-27 th M2	PIGNON MAR 19 et 27 dts M2	1
21	580 32 00-01	0343020002	Sealing washer 30X40X7	Bague d'étanchéité 30x40x7 IEL AI DL	1
22	580 32 01-01	0343020003	SEALING WASHER 15x28x4	BAGUE D'ETANCHEITE 15x28x4 IEL AI DL	1
24	522 99 55-01	0300090303	Screw WN5251 K30x8z	Vis altracs WN5251 K30x8z	4
25	580 31 85-01	0340000009	SPEED SELECTOR LEVER	LEVIER SELECTION DE VITESSE F0603	1
26	531 00 94-49	0300090403	Screw WN 1452 K40x20 Torx	VIS TORX WN 1452 K40x20	1
27	580 31 36-01	0300090405	Screw Altracs WN5151 40x12z	Vis Altracs WN5151 40x12z Ejot: 6317036809	10
29	580 31 58-01	0305020015	Locking spring	RESSORT CP 9x15 12/10 GALVA	1
30	580 32 13-01	3001000058	SPEED SELECTION CABLE PLAT	TOLE SELECTEUR VIT. SERTI	1



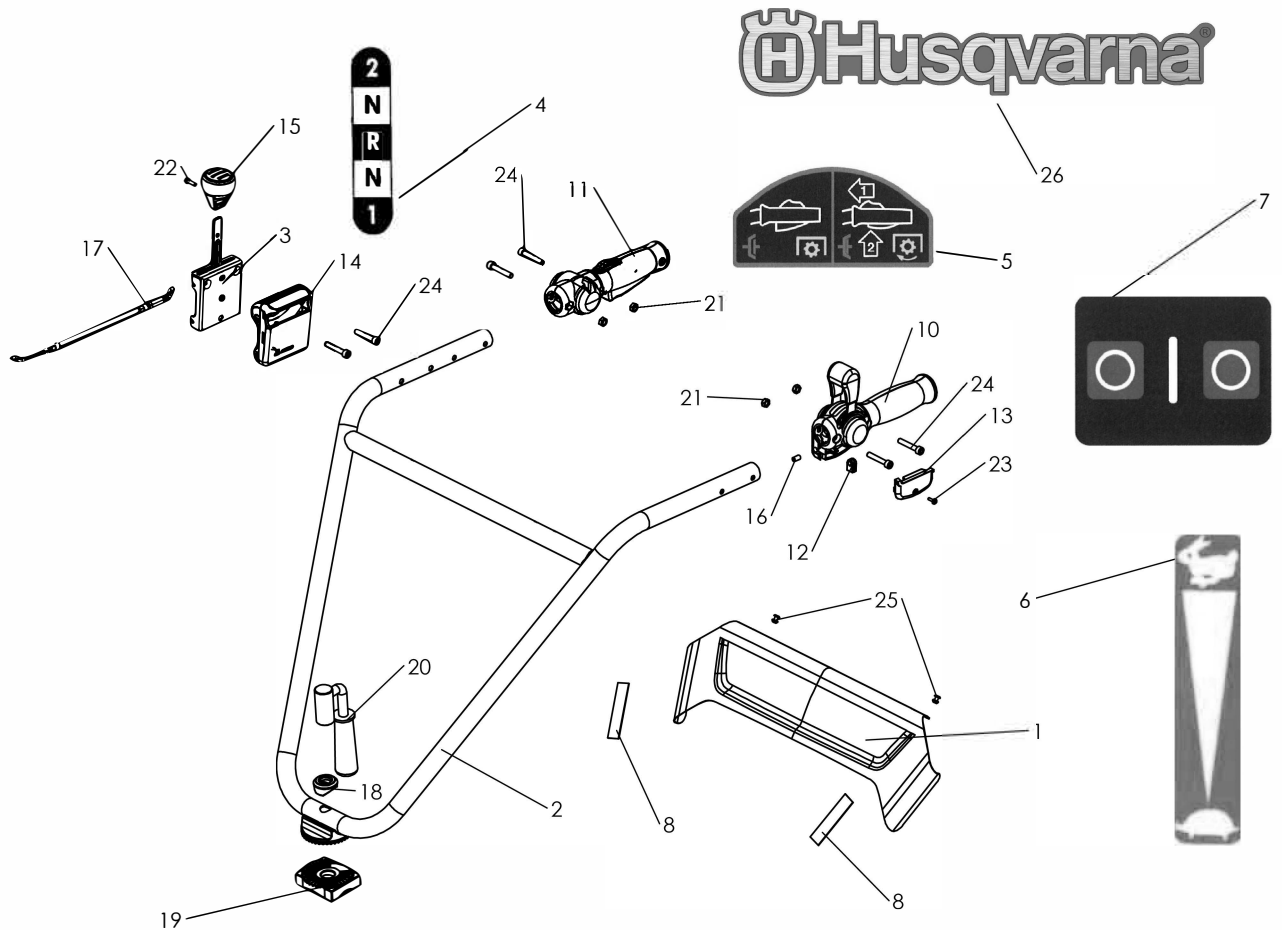
KEY NO.	PART NO.	REF.	DESCRIPTION	DESIGNATION	QTY QTE
1	580 32 15-01	3002210201	PLATE FOR CLUTCH LEVER	LEVIER EMBR	1
2	519 65 34-57	0341000003	CLUTCH RUNNER ROUL 6200 ZZ	GALET 2 EPAULEMENTS ROUL 6200 ZZ	1
3	575 36 18-01	0300011205	Screw H M12 x 60 z	VIS H 12 X 60/30 N	1
4	519 65 34-53	0300401201	PLATE WASHER M 12X27X2.5 Z	RONDELLE PLATE M 12X27X2.5 Z	1
5	575 36 05-01	0302020020	Clutch lever spacer	ENTRETOISE 12x20 LG 24	1
6	519 65 34-55	0300011003	SCREW HM 10X35Z FST	VIS H 10 X 35 FST Z	1
7	752 25 50-51	0300211201	BLOCKING NUT M 12 Z	ECROU FREIN M 12 Z	2
8	519 65 34-58	0300211001	BLOCKING NUT M 10 Z	ECROU FREIN M 10 Z	1
9	519 65 34-56	0300201002	NUT HM 10Z	ECROU H.U. M 10 Z	1
10	519 65 30-90	0305020005	SPRING	RESSORT LEVIER EMBR	1



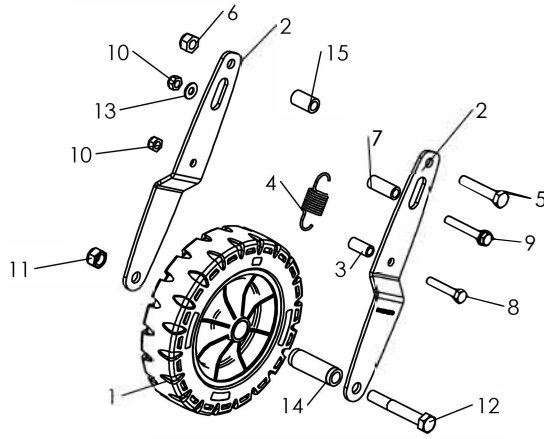
KEY NO.	PART NO.	REF.	DESCRIPTION	DESIGNATION	QTY QTE
1	580 32 26-01	3003220003	SUPPORT PNEUMATIC CYLINDER	TOLE SUPPORT VERIN PNEUMATIQUE	1
2	531 00 82 49	0340010048	DOUBLE TANK CYLINDER ACTUATOR	VERIN ACTIONNEUR (2 CUVES)	1
3	519 65 30 52	0341000005	CLUTCH CABLE RUNNER	GALET CABLE EMBRAYAGE	1
4	576 14 54-01	0300010610	SCREW HM 6x20 NOTCHED SHOULDER	VIS H 6x20 Z EMB CR	1
5	732 26 16-01	0300210602	BLOCKING NUT M 6 Z	ECROU FREIN M 6 Z	1
6	580 31 76-01	0308020063	CLUTCH CABLE	CABLE EMBRAYAGE	1
7	519 65 34-49	0300400602	PLATE WASHER M 6X14X1.2 Z	RONDELLE PLATE M 6X14X1.2 Z	1
8	544 20 70-01	0300090601	SELF-TAPPING SCREW HM6X40 Z	VIS AUTOTAR TH A EMB CR 6X40 Z	2



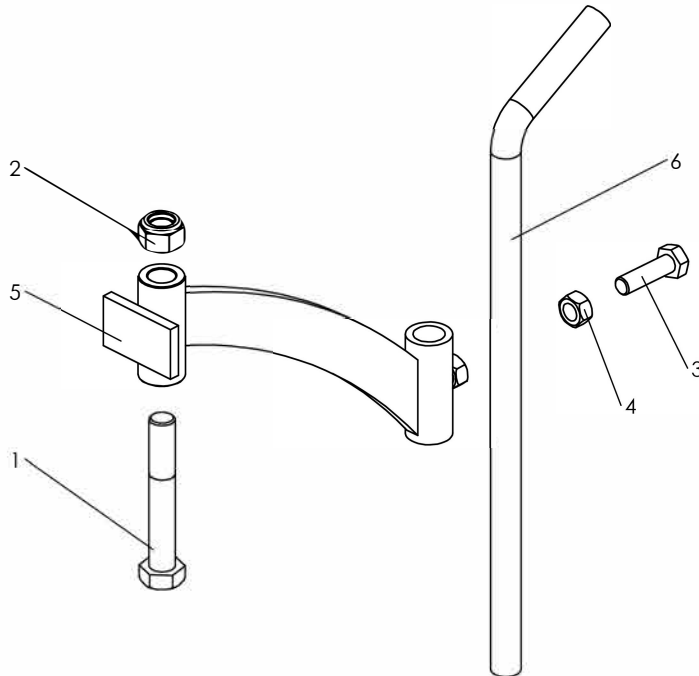
KEY NO.	PART NO.	REF.	DESCRIPTION	DESIGNATION	QTY/ QTE
1	590 36 16-01	0340010210	INSIDE PROTECTOR	CACHE INTERIEUR	1
2	590 36 17-01	0304000521	RIGHT COVER SUPPORT	PATTE SUPPORT CAPOT DROIT	1
3	580 32 24-01	3003210010	SNAP IN STOP	BUTEE SNAP IN	1
4	580 31 35-01	0300020608	SCREW CHC M6X12 Z	VIS CHC 6X12 Z	4
5	519 65 34-35	0300010609	SCREW HM 6X16 Z NOTCHED SHOULDER	VIS H 6X16 Z EMB CR	2
6	519 65 34-32	0300260601	NUT H M6 Z NOTCHED SHOULDER	ECROU HM 6 ZEMB CR	2
7	732 26 16-01	0300210602	BLOCKING NUT M 6 Z	ECROU FREIN M 6 Z	4
8	519 65 34-26	0300080405	SCREW POZI 4.2X16 Z	VIS TOLE TETE POELIER Ø11 POZI CR 4.2X16 Z	3
9	519 65 34-25	0301050001	CLIPS 4.2	CLIPS PRESTOLE Z/VIS 4.2 EP 4	3
10	590 36 18-01	0340010212	RIGHT COVER ORANGE	CAPOT DROIT ORANGE	1
11	590 17 17-01	0340010211	BELT COVER ORANGE	CAPOT COURROIE ORANGE	1
12	590 17 18-01	0503060031	STICKER HUSQVARNA	ETIQUETTE HUSQVARNA	1
13	590 49 81-01	0503060038	STICKER TF435P	ETIQUETTE TF435P	1
14	519 65 34-33	0300010816	SCREW H M8X20 Z NOTCHED SHOULDER	VIS H 8X20 Z EMB CR	1
15	519 65 34-30	0300260801	NUT H M8 Z NOTCHED SHOULDER	ECROU HM 8 Z EMB CR	1
16	531 00 85-86	0300060502	SCREW 5/16 TH 24 UNF LG 32	VIS 5/16 TH 24 UNF LG 32 Z	2
17	544 31 49-01	0300430801	CONTACT WASHER 8	RONDELLE CONTACT M8	2
18	580 31 47-01	0302020111	SPACER SHOULDER 13X9X16.5 Z	ENTRET EPAUL 13X9X16.5 Z	2



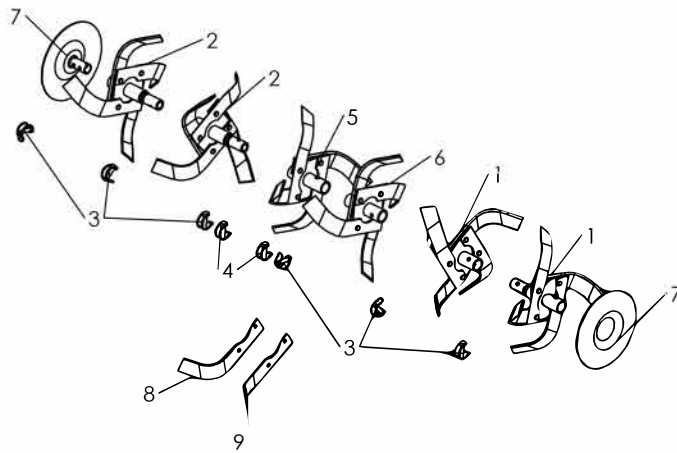
KEY NO.	PART NO.	REF.	DESCRIPTION	DESIGNATION	QTY QTE
1	590 21 61-01	3002335602	HANDLE PANEL ORANGE	TABEAU DE BORD GUIDON ORANGE	1
2	590 49 82-01	3002000635	HANDLEBAR GREY 627	GUIDON GRIS 627	1
3	580 32 11-01	3001000055	GEAR LEVER CONTROL	COMMANDE VITESSE	1
4	580 32 03-01	0503010315	SPEED LABEL 2+N+R+N+1	STICKER VITESSE 2+N+R+N+1	1
5	580 32 02-01	0503000081	DOUBLE ACTION CLUTCH LEVER STICKER	ETIQ. EMBR PNEUM DOUBLE ACTION	1
6	531 00 82-51	0503000043	STICKER THROTTLE CONTROL	ETIQ. GAZ	1
7	519 65 31-03	0503000015	STICKER SWITCH ON/OFF	ETIQ "MARCHE/ARRET"	1
8	590 21 63-01	0402000023	FACES DOUBLE TAPED	MOUSSE ADHESIVE 2 FACES	2
9	519 00 01-13	0341000036	HAND SIDE GRIP Ø25	POIGNEE PLASTI Ø25	1
10	590 49 83-01	0340010216	ORANGE THROTTLE PNEUMATIC CONTROL	POIGNEE CMDE GAZ GAUCHE ORANGE	1
11	590 49 84-01	0340010215	ORANGE CLUTCH PNEUMATIC CONTROL	POIGN CMDE PNEU DROITE + FAISC ORANGE	1
12	531 00 82 46	0340010047	THROTTLE LEVER SLEEVE STOP	ARRET GAINE CABLE GAZ	1
13	531 00 82 47	0340010046	THROTTLE LEVER ACCESS PANEL	TRAPPE ACCES CABLE GAZ	1
14	580 31 88-01	0340000012	GEAR CONTROL COVER	COQUE LEVIER DE VITESSE	1
15	580 31 87-01	0340000011	SPEED SELECTOR LEVER	POMMEAU LEVIER DE VIT M0701	1
16	519 00 41-68	0308040017	THROTTLE CABLE	CABLE GAZ	1
17	590 36 21-01	0308010013	GEAR CABLE	CABLE VIT DOUBLE	1
18	580 31 52-01	0303000024	TIGHTENING LEVER SPACER	ENTRETOISE POIGNEE SERRAGE	1
19	519 65 34-15	0303000007	FILLER PIECE	PIECE INTERMEDIAIRE	1
20	531 00 82-37	0300801401	HANDLEBAR TIGHTENING LEVER GREY	POIGNEE SERRAGE GRIS	1
21	732 26 16-01	0300210602	BLOCKING NUT M 6	ECROU FREIN M 6	4
22	580 31 38-01	0300120404	SCREW PT WN 1412 KB 40X14	VIS PT WN 1412 KB 40X14 Z CRUCI	1
23	531 00 82-52	0300090302	SCREW PT K 35X12 WM 1452	VIS PT K 35X12 WN 1452	1
24	519 65 30-26	0300020604	SCREW CHC M6X35 Z	VIS CHC 6X35 Z	6
25	590 21 62-01	0300500402	RIVET 4X10	RIVET AVEUGLE TETE TP 4X10	2
26	590 17 1 8-01	0503060031	STICKER HUSQVARNA	ETIQUETTE HUSQVARNA	1



KEY NO.	PART NO.	REF.	DESCRIPTION	DESIGNATION	QTY QTE
1	580 31 82-01	0309000033	WHEEL Ø200 bore 20	ROUE Ø200 ALS 20	1
2	580 32 16-01	3002210305	WHEEL SUPPORT BLACK RAL 9005	PLATINE ROUE DE TRANSPORT NOIR RAL 9005	2
3	577 52 03-01	0302020103	SPACER 12X8X26 Z	ENTRETOISE 12X8X26 Z	1
4	580 31 57-01	0305010015	DRAW SPRING 43XØ20X22/10 GALVA	RESSORT TR 43XØ20X22/10 GALVA	1
5	519 65 30-46	0300011007	SCREW H M 10X55 Z	VIS H M 10X55 Z	1
6	519 65 34-58	0300211001	BLOCKING NUT M 10 Z	ECROU FREIN M 10 Z	1
7	575 36 10-01	0302020015	SPACER 14X9X35 Z	ENTRETOISE 14X9X35 Z	1
8	580 31 34-01	0300010802	SCREW H M8X45 Z	VIS H 8X45 Z	1
9	575 36 16-01	0300010837	SCREW H 8X55 Z NOTCHED SHOULDER	VIS H 8X55 Z EMB CR FILETAGE PARTIEL	1
10	544 20 79-01	0300210802	BLOCKING NUT HM 8 Z	ECROU FREIN M 8 Z	2
11	752 25 50-51	0300211201	BLOCKING NUT M 12 Z	ECROU FREIN M 12 Z	1
12	519 65 31-31	0300011206	SCREW H M 12X80 Z	VIS H M 12X80 Z	1
13	544 20 81-01	0300400802	PLATE WASHER M 8X18X1.5 Z	RONDELLE PLATE M 8X18X1.5 Z	1
14	575 36 08-01	0302020081	PLASTIC SPACER 20X12.5X61.5	ENTRETOISE 20X12.5X61.5	1
15	580 31 50-01	0302020116	SPACER 16X10X26 Z	ENTRETOISE 16X10X26 Z	1



KEY NO.	PART NO.	REF.	DESCRIPTION	DESIGNATION	QTY QTE
1	544 30 93-01	3502010320	SPUR BLACK	BEQUILLE Ø16 NOIR	1
2	580 32 14-01	3002000322	BLACK ADJUSTABLE SPUR SUPPORT	CORPS EPERON REGL CINTRE NOIR	1
3	531 00 85-78	0300211402	Blocking nut M 14 Z	ECROU FREIN M14 Z	1
4	519 65 34-56	0300201002	NUT HM 10 Z	ECROU H.U. M 10 Z	1
5	531 00 82-20	0300011401	SCREW H M14X90 Z	VIS H 14X90 Z	1
6	544 20 77-01	0300011015	SCREW HM 10X30 Z FST	VIS HM10X30 Z FST	1



KEY NO.	PART NO.	REF.	DESCRIPTION	DESIGNATION	Quantité
1	531 00 85-22	0320010008	LEFT ADDITIONAL TINE Ø25 HELICOID BLADE (40X4)	FRAISE ADDIT HEL 40X4 GAUCHE	2
2	531 00 85-23	0320010007	RIGHT ADDITIONAL TINE Ø25 HELICOID BLADE (40X4)	FRAISE ADDIT HEL 40X4 DROIT	2
3	577 45 35-01	0301010013	CLIP PIN Ø 8X36	GOUPILLE CLIPS 8X36	6
4	577 45 36-01	0301010014	CLIP PIN Ø10X36	GOUPILLE CLIPS 10X36	2
5	531 00 85 21	0320010006	RIGHT TINE REMOVABLE Ø25 HELICOID BLADE (40X4)	FRAISE DEPART DEM HEL 40X4 DROIT	1
6	531 00 85 20	0320010005	LEFT TINE REMOVABLE Ø25 HELICOID BLADE (40X4)	FRAISE DEPART DEM HEL 40X4 GAUCHE	1
7	590 17 33-01	0320010003	DISK Ø25 GREY 627	DISQUE Ø25 GRIS 627	2
8	531 00 85-48	0001000029	RIGHT SPIRALE BLADE	COUTEAU HEL 40x4 DROIT	1
9	531 00 85-47	0001000030	LEFT SPIRALE BLADE	COUTEAU HEL 40x4 GAUCHE	1