

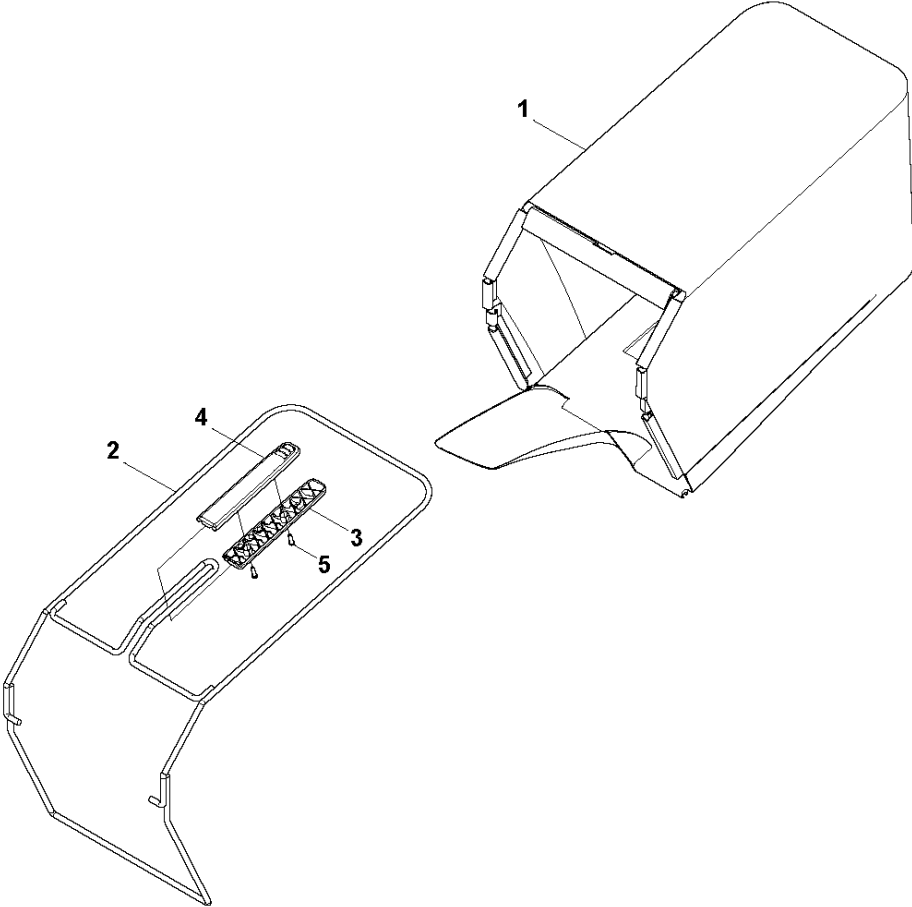


SPARE PARTS LIST

LAWN MOWERS: CONSUMER
WALK-BEHINDS

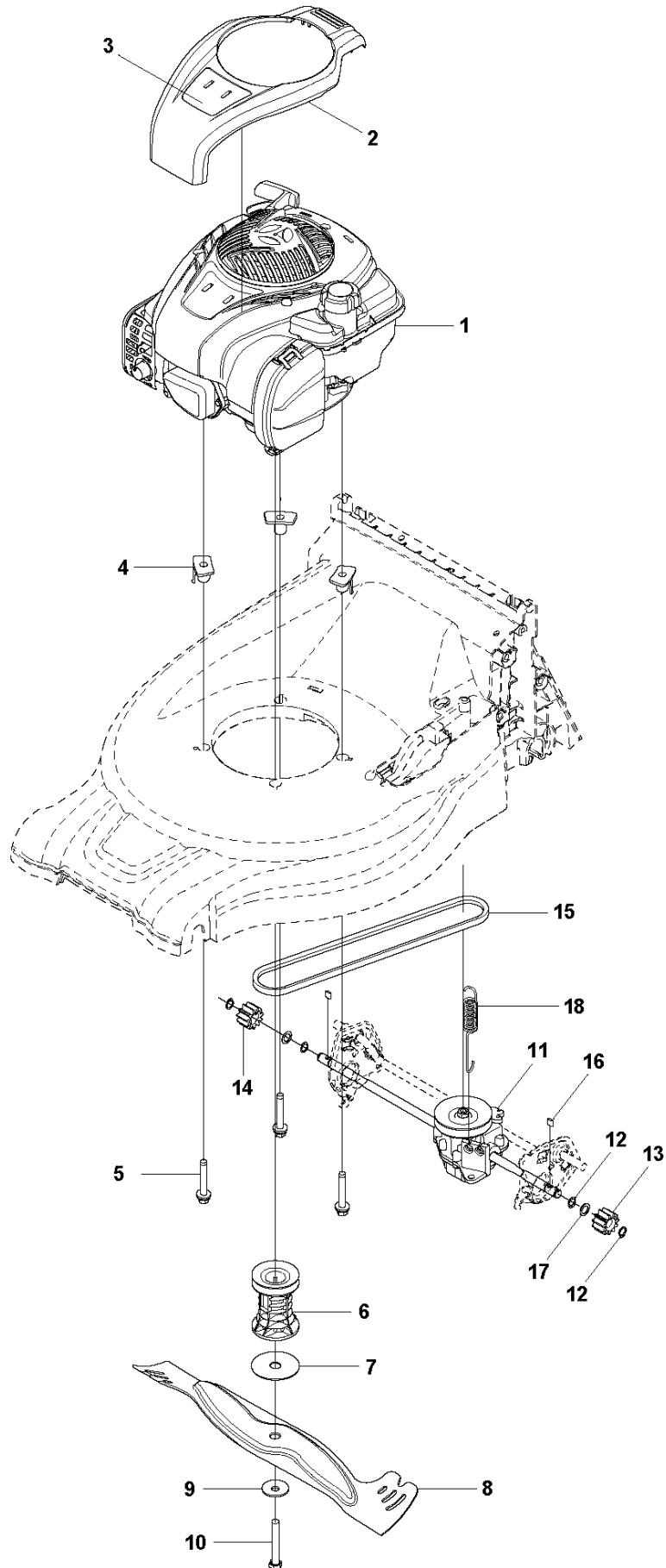
LC247 S, 967345301, 2016-11

D LC247 LC247S LC247SP
COLLECT PARTS



Ref	Part No	Description	Remark	QTY KIT
1	587 29 23-01	GRASSBAG		1
2	587 18 20-01	FRAME		1
3	588 18 85-02	HANDLE		1
4	588 18 84-02	HANDLE		1
5	502 43 53-01	SCREW ITPANT		1

C LC247S
Engine

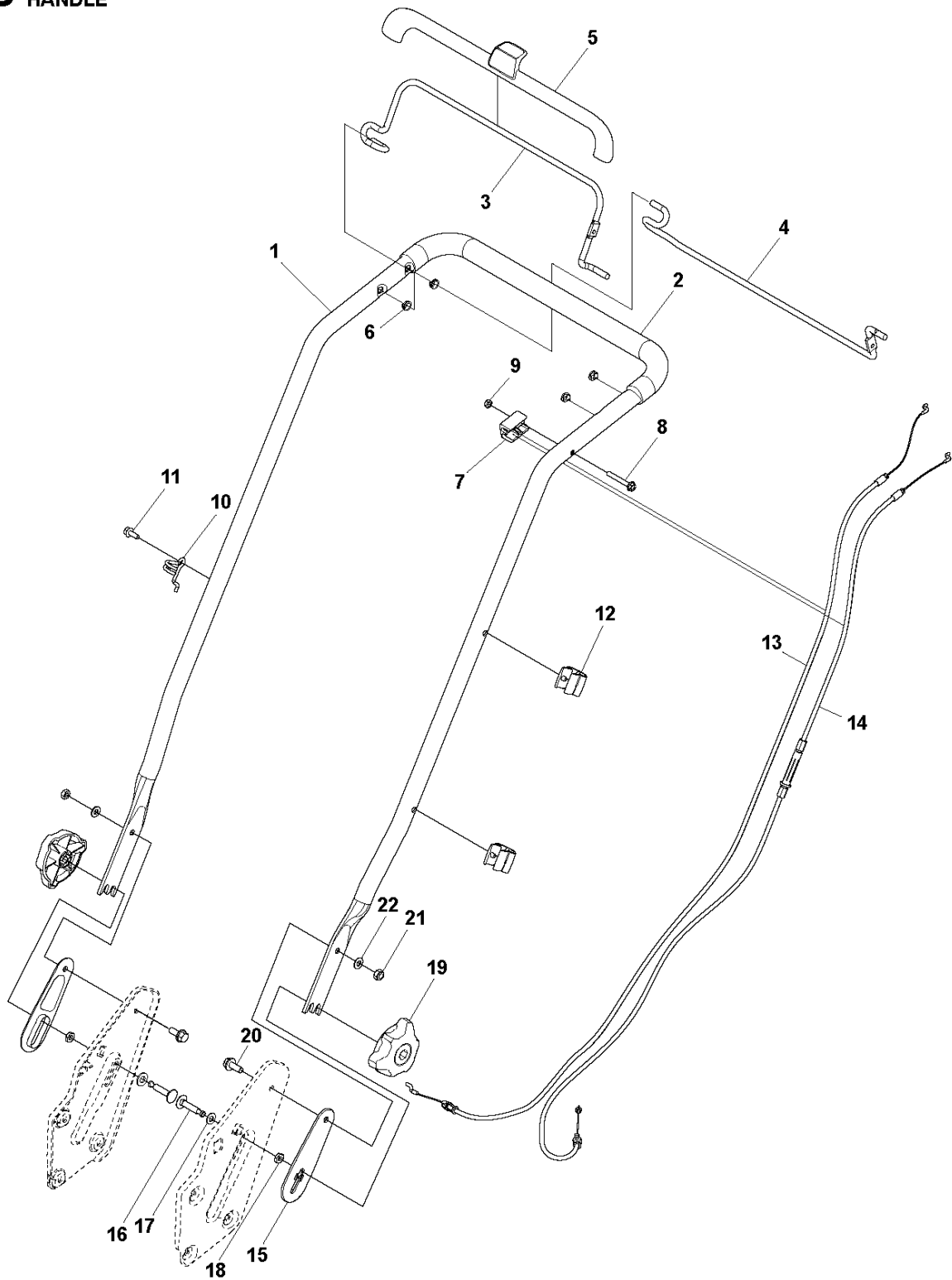


ENGINE

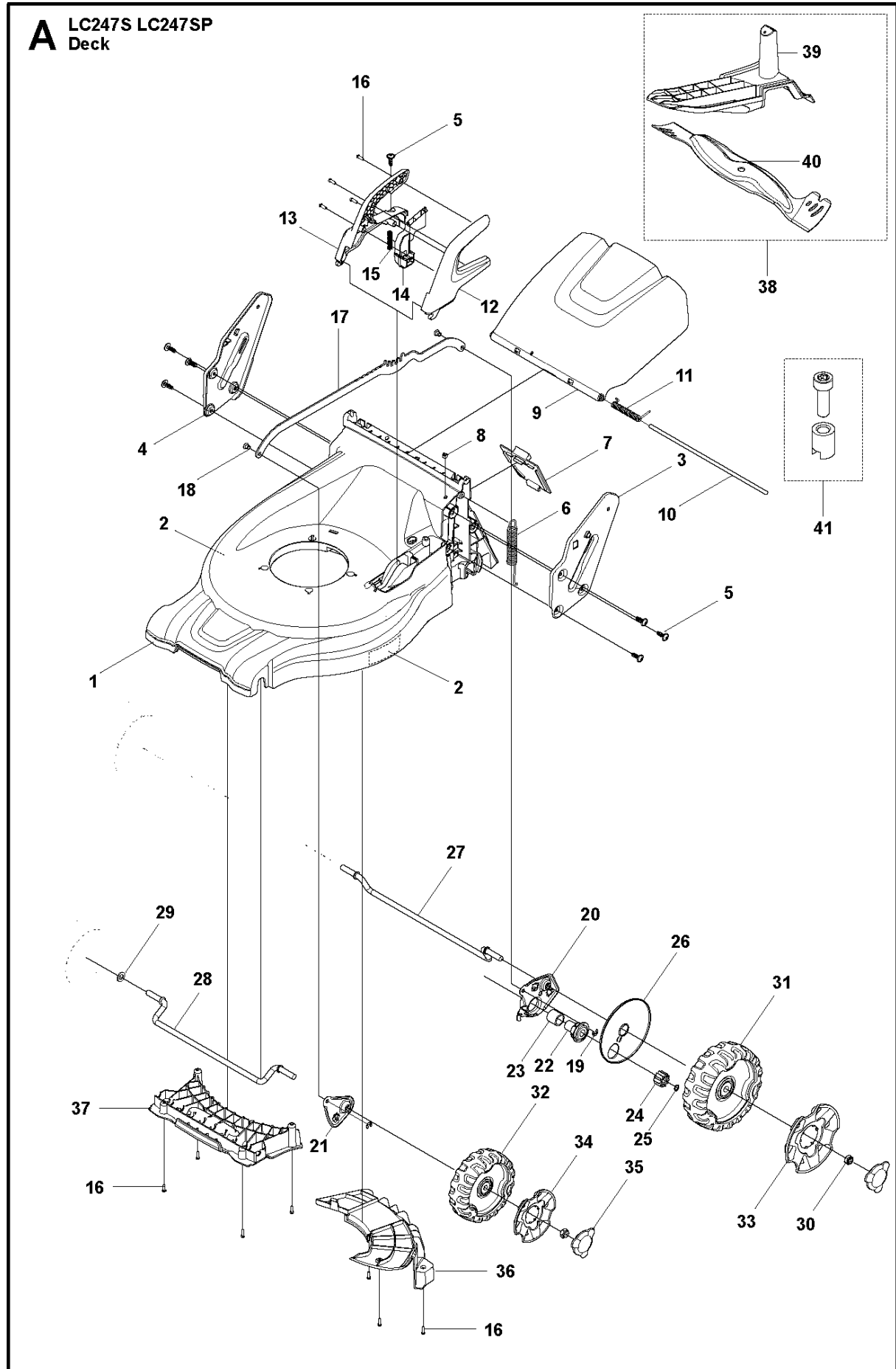
LC247 S, 967345301, 2016-11

Ref	Part No	Description	Remark	QTY KIT
1	588 63 88-01	ENGINE		1
2	588 87 87-01	SHROUD		1
3	588 88 85-02	DECAL		1
4	578 29 51-01	SLEEVE		3
5	578 29 48-01	SCREW EHHFT		3
6	588 64 57-01	BLADE SUPPORT		1
7	503 25 94-01	WASHER		1
8	588 27 55-10	MOWER BLADE		1
9	503 33 25-01	SPRING		1
10	504 45 64-03	SCREW EHHI		1
11	582 37 03-01	TRANSMISSION		1
12	735 31 14-01	CIRCLIP		4
13	501 86 97-01	PINION		1
14	501 86 97-02	PINION		1
15	589324604	TBD		1
16	582 04 11-01	PIN		2
17	504 46 08-01	WASHER		2
18	582 36 20-01	SPRING		1

B LC247S LC247SP
HANDLE



Ref	Part No	Description	Remark	QTY KIT
1	582 81 81-02	HANDLE		1
2	501 11 01-01	TUBE		1
3	587 10 17-02	BAIL		1
4	587 10 18-02	BAIL		1
5	587 10 25-02	GRIP		1
6	503 32 09-01	BUSHING		4
7	531 20 80-43	BRACKET		1
8	535 47 52-45	SCREW EHHFM		1
9	732 25 16-01	HEXAGON LOCKING NUT		1
10	587 10 27-01	EYELET		1
11	725 23 68-61	SCREW EHHFT		1
12	579 13 46-01	CABLE HOLDER		2
13	582 10 53-01	WIRE		1
14	582 10 52-01	WIRE		1
15	587 78 04-01	WASHER		2
16	588 15 73-02	BOLT		2
17	588 15 74-01	WASHER		2
18	731 43 18-01	HEXAGON THIN NUT		2
19	587 23 72-01	KNOB		2
20	506 57 01-04	SCREW EHHFM		2
21	732 21 18-01	LOCK NUT		2
22	734 18 20-51	WASHER		2



MOWER DECK / CUTTING DECK

LC247 S, 967345301, 2016-11

Ref	Part No	Description	Remark	QTY	KIT
1	587 15 10-03	CHASSIS		1	
2	584 80 53-01	LABEL		2	
3	587 21 21-02	HANDLE SUPPORT		1	
4	587 21 23-02	HANDLE SUPPORT		1	
5	578 17 58-02	SCREW ITXPANT		7	
6	587 67 44-01	SPRING		1	
7	587 09 54-02	COVER		1	
8	579 31 74-01	STRAP		1	
9	587 10 14-03	HATCH		1	
10	586 98 46-01	AXLE		1	
11	587 10 15-01	SPRING		1	
12	587 20 37-01	COVER HALF		1	
13	587 20 38-01	COVER HALF		1	
14	587 69 74-01	BUTTON		1	
15	589 59 76-01	SPRING		1	
16	502 43 53-01	SCREW ITXPANT		11	
17	587 16 08-01	ROD		1	
18	587 68 70-01	SHAFT		2	
19	735 31 12-20	E-CLIP		2	
20	587 07 25-01	LINK ARM		2	
21	587 07 24-01	LINK ARM		1	
22	501 86 10-01	BUSHING		2	
23	579 68 28-02	TUBE		2	
24	544 34 23-01	PINION		2	
25	735 31 14-01	CIRCLIP		2	
26	587 20 40-02	DUST COVER		2	
27	587 07 26-01	WHEEL AXLE		1	
28	587 07 26-02	WHEEL AXLE		1	
29	577 09 28-01	WASHER		1	
30	587 99 09-01	NUT		4	
31	582 30 57-01	WHEEL ASSY		2	
32	587 63 15-01	WHEEL ASSY		2	
33	584 15 93-01	HUB CAP		2	
34	587 63 27-01	HUB CAP		2	
35	584 15 94-01	NUT CAP		4	
36	587 19 99-02	BELT COVER		1	
37	588 20 27-01	SKID PLATE		1	
38	589 21 48-01	MULCH KIT		1	
39	587 70 27-01	MULCH PLUG		1	38
40	588 27 57-01	MOWER BLADE		1	38
41	589 01 87-01	THREAD INSERT		1	