

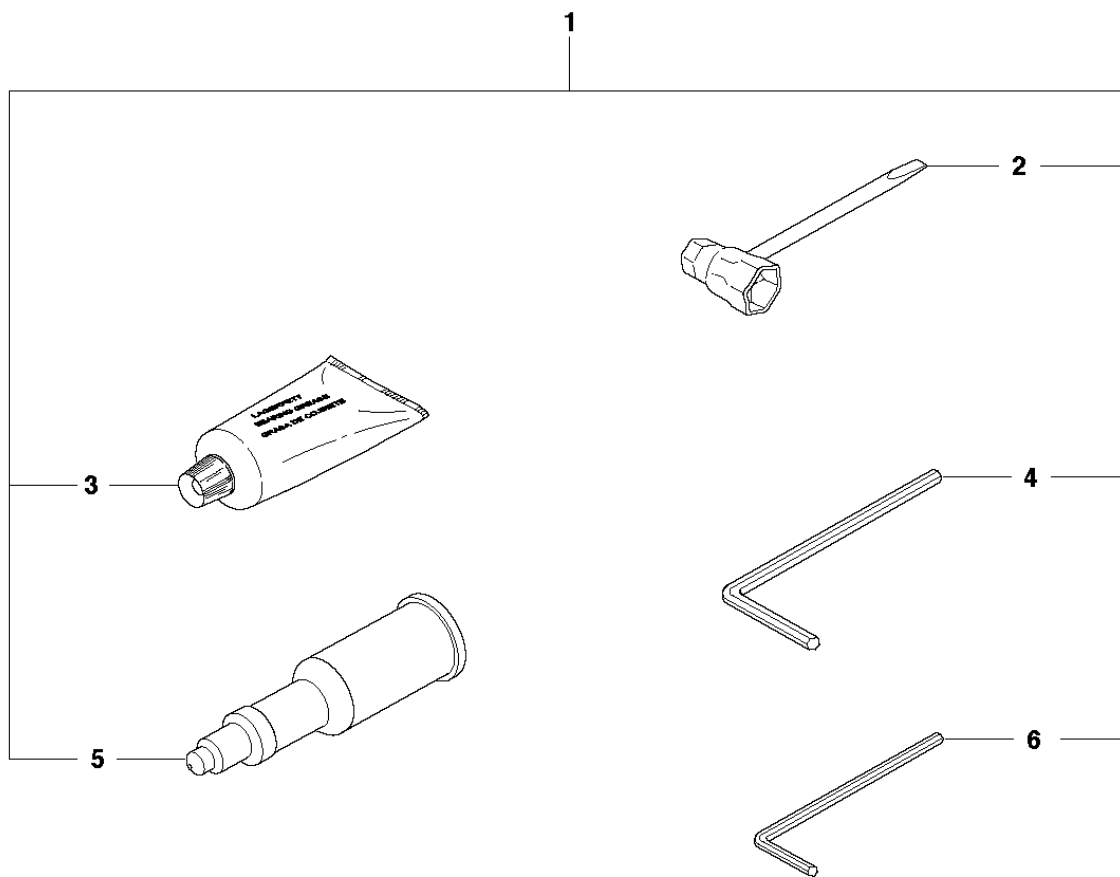


# SPARE PARTS LIST

## CHAIN SAWS

576 XP, 576 XP EPA, from 2017-06

**S** 576XP  
ACCESSORIES

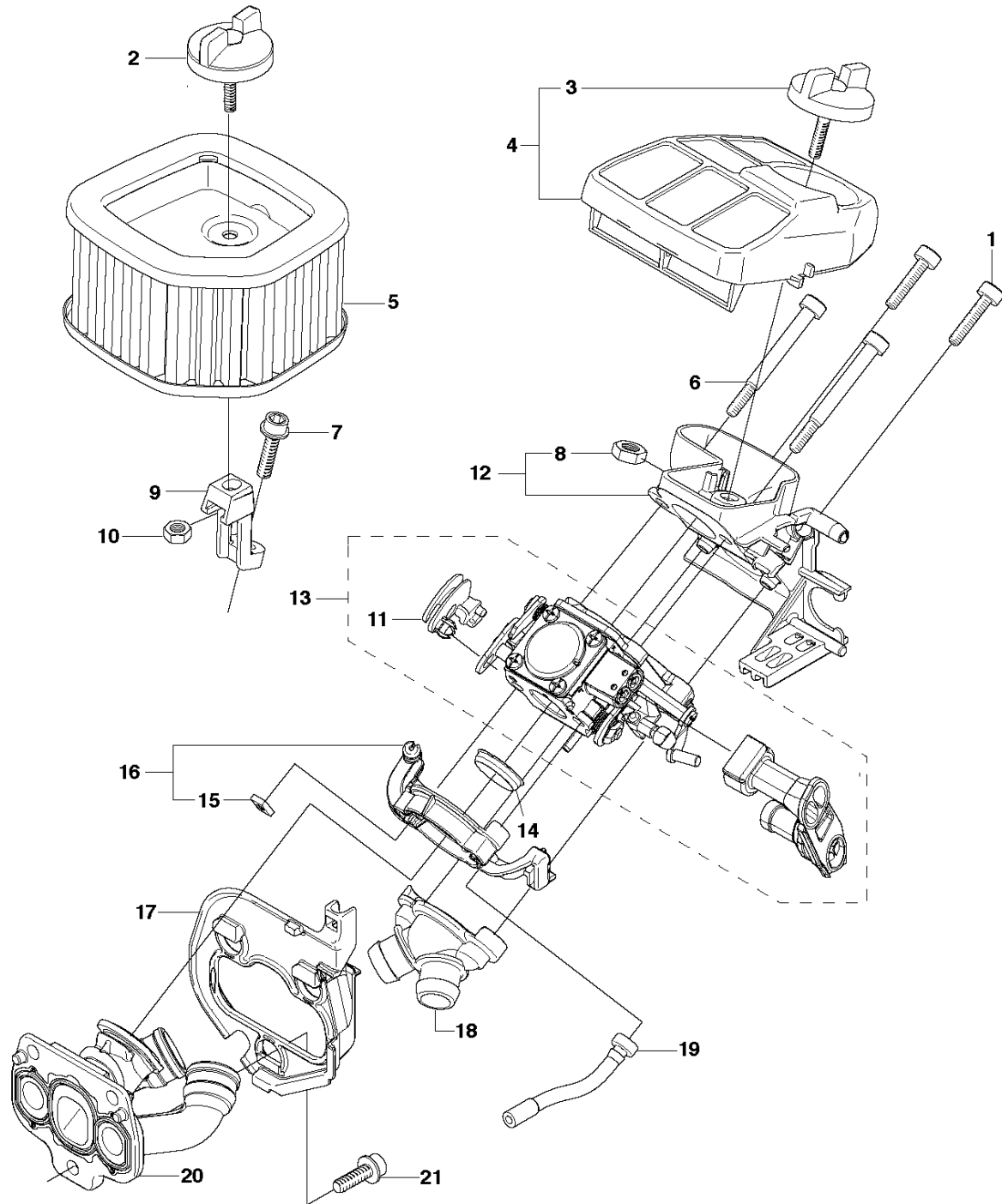


## ACCESSORIES

576 XP, 576 XP EPA, from 2017-06

Ref	Part No	Description	Remark	QTY	KIT
1	503 55 85-01	TOOL		1	
2	501 69 17-01	COMBINATION WRENCH		1	1
3	503 62 12-01	GREASE		1	1
4	503 55 86-02	SPANNER		1	1
5	501 91 14-01	GREASE GUN		1	1
6	503 55 86-01	SPANNER		1	1

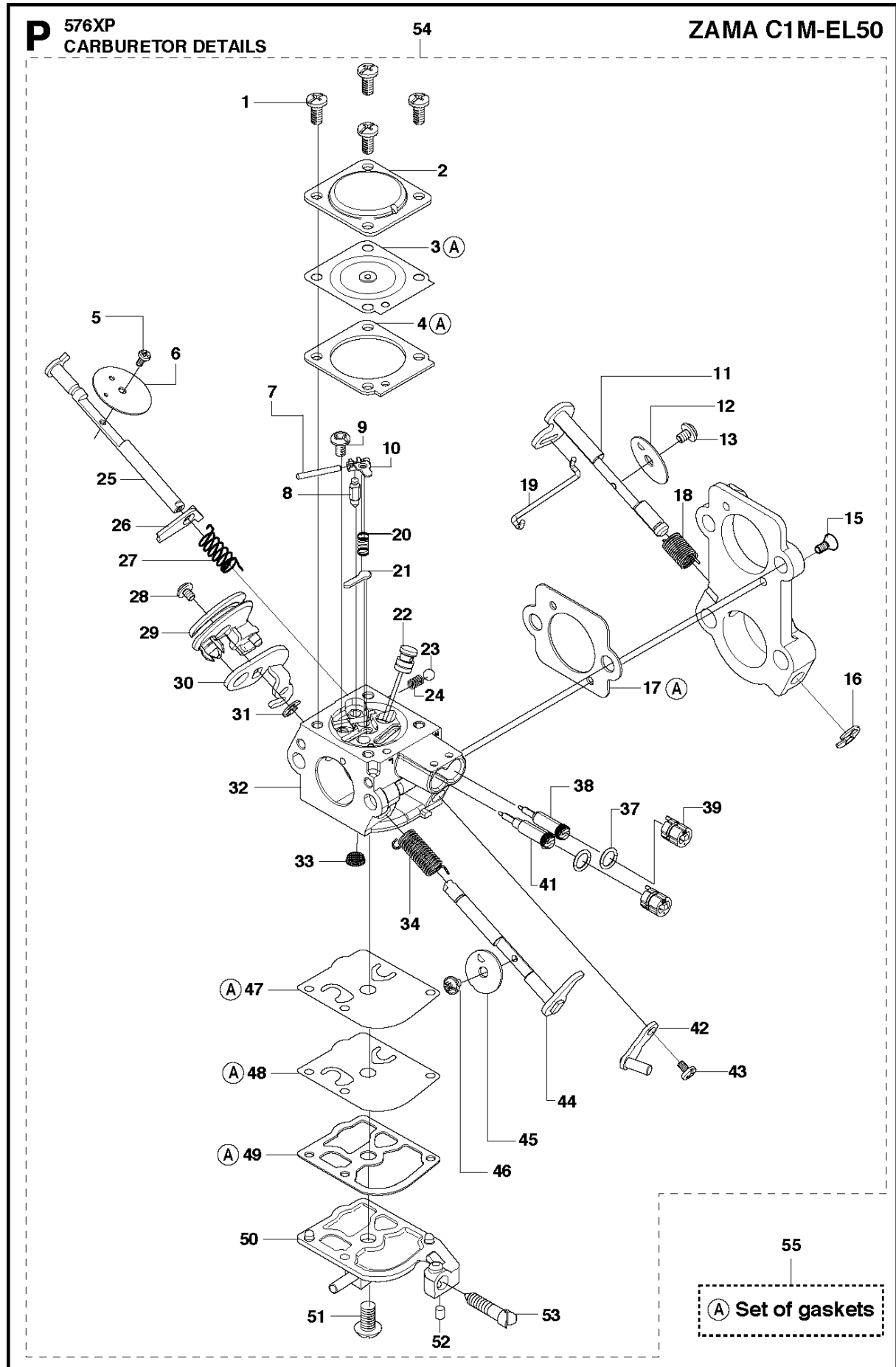
**F** 576XP  
CARBURETOR & AIRFILTER



## CARBURETOR &amp; AIR FILTER

576 XP, 576 XP EPA, from 2017-06

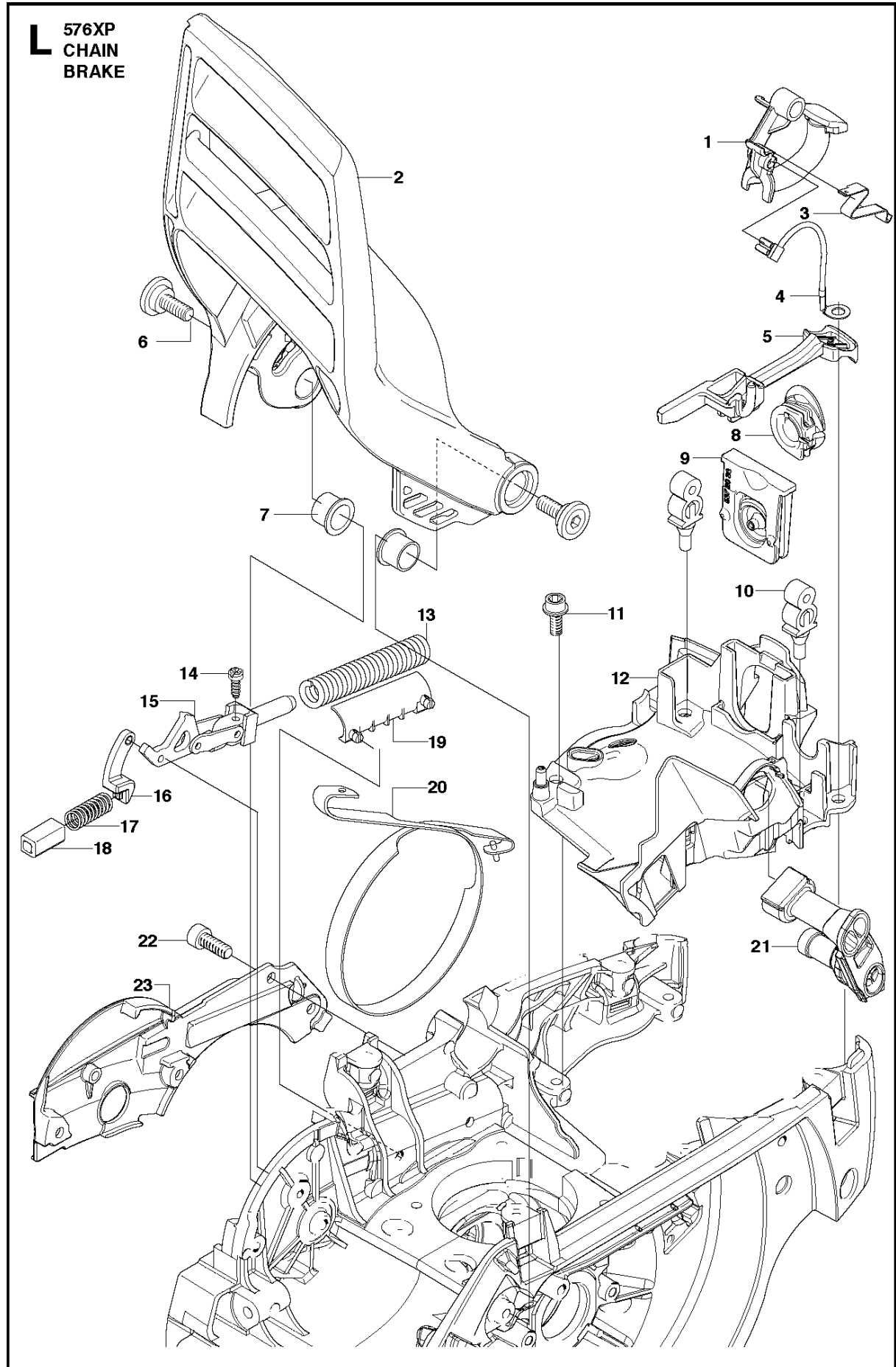
Ref	Part No	Description	Remark	QTY	KIT
1	503 20 25-20	SCREW IHSCM		2	
2	537 21 32-01	KNOB		1	
3	537 21 32-09	KNOB		1	4
4	576 48 63-04	AIR FILTER	80 My	1	
4	576 48 63-05	AIR FILTER	44 My	1	
4	576 48 63-06	AIR FILTER	Felt	1	
5	537 20 75-01	AIR FILTER	Felt	1	
5	537 20 75-02	AIR FILTER	80 My	1	
5	537 20 75-03	AIR FILTER	44 My	1	
6	503 20 39-01	SCREW IHSCM		2	
7	503 21 26-16	SCREW IHPANM		1	
8	731 23 14-01	HEXAGON NUT		1	12
9	537 21 04-01	ADAPTER		1	
10	731 23 14-01	HEXAGON NUT		1	9
11	537 21 37-01	LEVER		1	13
12	537 20 50-01	FILTER HOLDER		1	
13	580 73 58-01	CARBURETTOR		1	
14	537 20 46-01	SUPPORT SLEEVE		1	
15	503 22 65-03	SQUARE NUT		2	16
16	537 20 45-01	FLANGE		2	
17	537 20 47-01	INSULATION WALL		1	
18	537 20 49-01	FLANGE		1	
19	537 20 37-01	IMPULSE HOSE		1	
20	537 20 43-01	INLET PIPE		1	
20	585 48 43-01	INLET PIPE	Cold resistant Spare part only	1	
21	503 20 02-16	SCREW IHSCFM		3	



## CARBURETOR DETAILS

576 XP, 576 XP EPA, from 2017-06

Ref	Part No	Description	Remark	QTY	KIT
1	503 48 05-01	SCREW		4	54
2	537 38 37-01	COVER		1	54
3	537 38 35-01	DIAPHRAGM		1	54, 55
4	537 38 36-01	GASKET		1	54, 55
5	503 48 18-01	SCREW		1	54
6	537 26 68-01	VALVE		1	54
7	503 48 00-01	PIN RETAINING SCREW		1	54
8	503 47 97-01	VALVE		1	54
9	503 48 01-01	SCREW		1	54
10	503 66 59-01	LEVER		1	54
11	544 23 78-01	SHAFT		1	54
12	537 17 70-01	VALVE		1	54
13	503 48 18-01	SCREW		1	54
15	537 38 51-01	SCREW		2	54
16	537 38 50-01	CLIP		1	54
17	537 38 53-01	GASKET		1	54, 55
18	537 38 55-01	SPRING		1	54
19	544 23 79-01	ROD		1	54
20	537 38 34-01	SPRING		1	54
21	503 53 56-01	PLUG WELCH		1	54
22	544 23 77-01	NOZZLE ASSY		1	54
23	537 01 25-01	BALL		1	54
24	537 01 26-01	SPRING		1	54
25	537 38 42-01	SHAFT ASSY		1	54
26	544 23 80-01	LEVER		1	54
27	537 38 44-01	SPRING		1	54
28	503 47 90-01	SCREW		1	54
29	537 21 37-01	LEVER		1	54
30	537 38 41-01	LEVER		1	54
31	504 02 67-01	CIRCLIP		1	54
32	579 46 25-01	CARBURETTOR		1	54
33	503 53 57-01	STRAINER		1	54
34	537 38 29-01	SPRING		1	54
37	503 97 40-01	WASHER		2	54
38	537 38 75-01	SCREW		1	54
39	537 41 70-01	LIMITER CAP		2	54
41	579 72 20-01	SCREW		1	54
42	537 38 45-01	LEVER		1	54
43	503 47 90-01	SCREW		1	54
44	577 37 05-01	THROTTLE SHAFT ASSY		1	54
45	537 38 30-01	VALVE		1	54
46	503 48 18-01	SCREW		1	54
47	537 38 31-01	DIAPHRAGM PUMP		1	54, 55
48	537 40 33-01	DIAPHRAGM		1	54, 55
49	537 02 01-01	GASKET		1	54, 55
50	502 07 89-01	COVER		1	54
51	503 47 96-01	SCREW		1	54
52	503 48 11-01	PIECE		1	54
53	537 38 33-01	SCREW		1	54
54	579 46 25-01	CARBURETTOR	ZAMA C1M-EL50	1	
55	537 38 56-01	GASKET KIT	A = Set of gaskets	1	



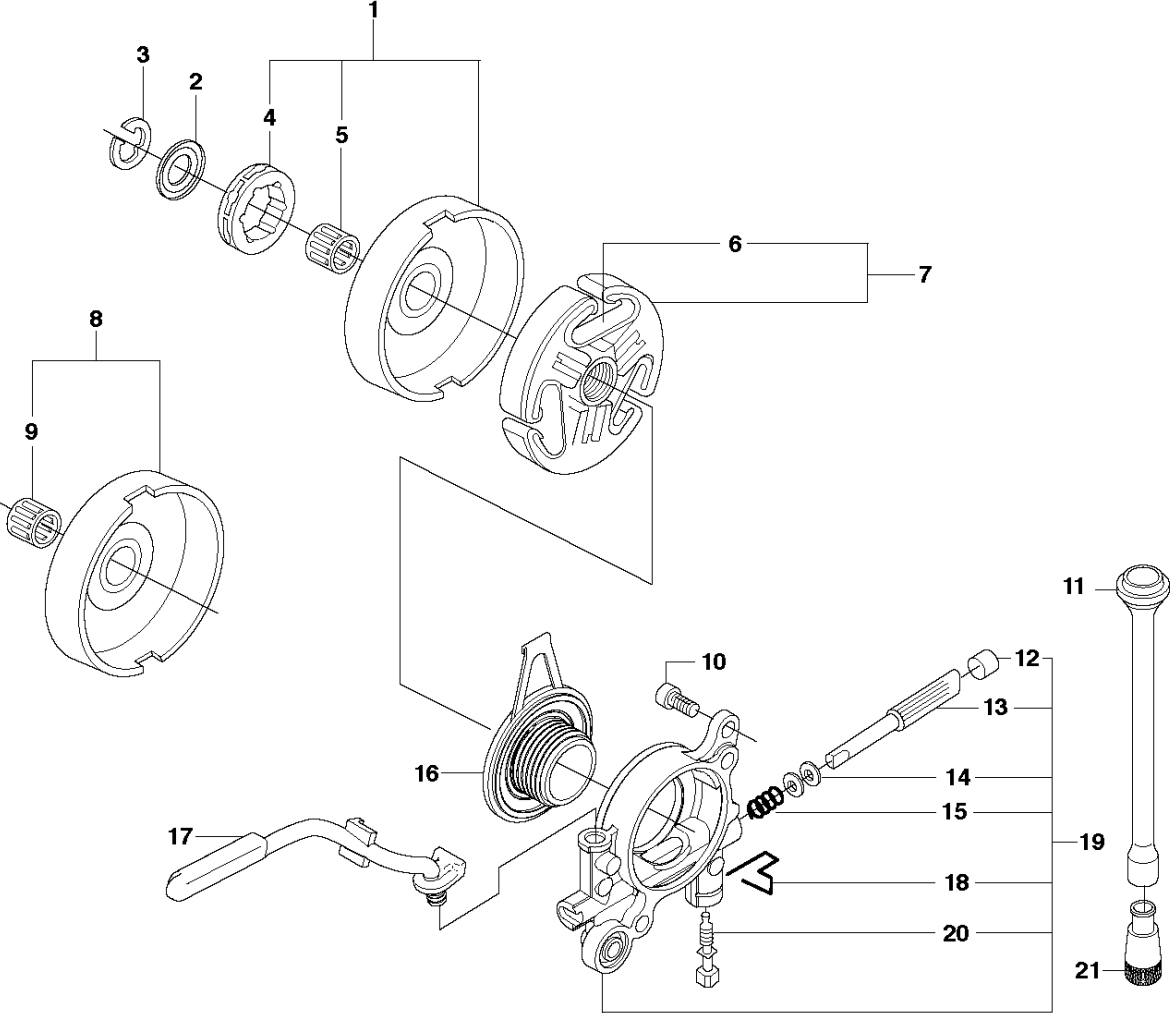


## CHAIN BRAKE

576 XP, 576 XP EPA, from 2017-06

Ref	Part No	Description	Remark	QTY KIT
1	537 20 51-01	STOP SWITCH		1
2	537 20 27-01	HAND GUARD ASSY		1
3	503 86 97-02	SHORT CIRCUIT SPRING		1
4	537 20 87-01	GROUND CABLE		1
5	537 20 52-01	CHOKE CONTROL		1
6	537 20 90-01	SCREW		2
7	537 20 28-01	BUSHING		2
8	537 20 53-01	SEALING		1
9	537 20 38-01	GROMMET		1
10	503 86 93-01	CARBURETTOR		2
11	503 20 02-12	SCREW IHSCFM		4
12	537 20 35-01	CARBURETTOR		1
13	503 70 99-02	BRAKE SPRING		1
14	503 21 28-10	SCREW CCRPANT		1
15	501 87 53-04	KNEE JOINT		1
16	537 20 31-01	LOCK		1
17	503 43 65-01	POSITION SPRING		1
18	537 21 07-01	SPRING GUIDE		1
19	503 79 27-02	SUPPORT		1
20	503 75 22-02	BRAKE BAND ASSY		1
21	579 23 32-01	SLEEVE	s/n from 20123300020	1
22	503 21 70-72	SCREW CCRPANT		4
23	537 20 32-01	HUB CAP		1
21	537 20 36-01	GUIDE BUSHING	s/n up to 20123300019	1

**B** 576XP  
CLUTCH & OIL PUMP

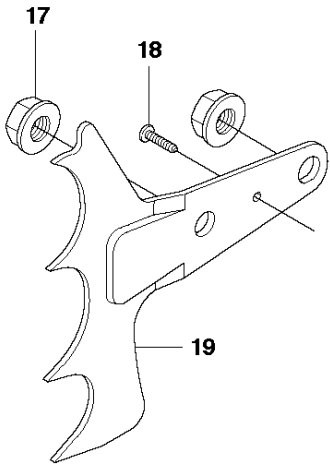
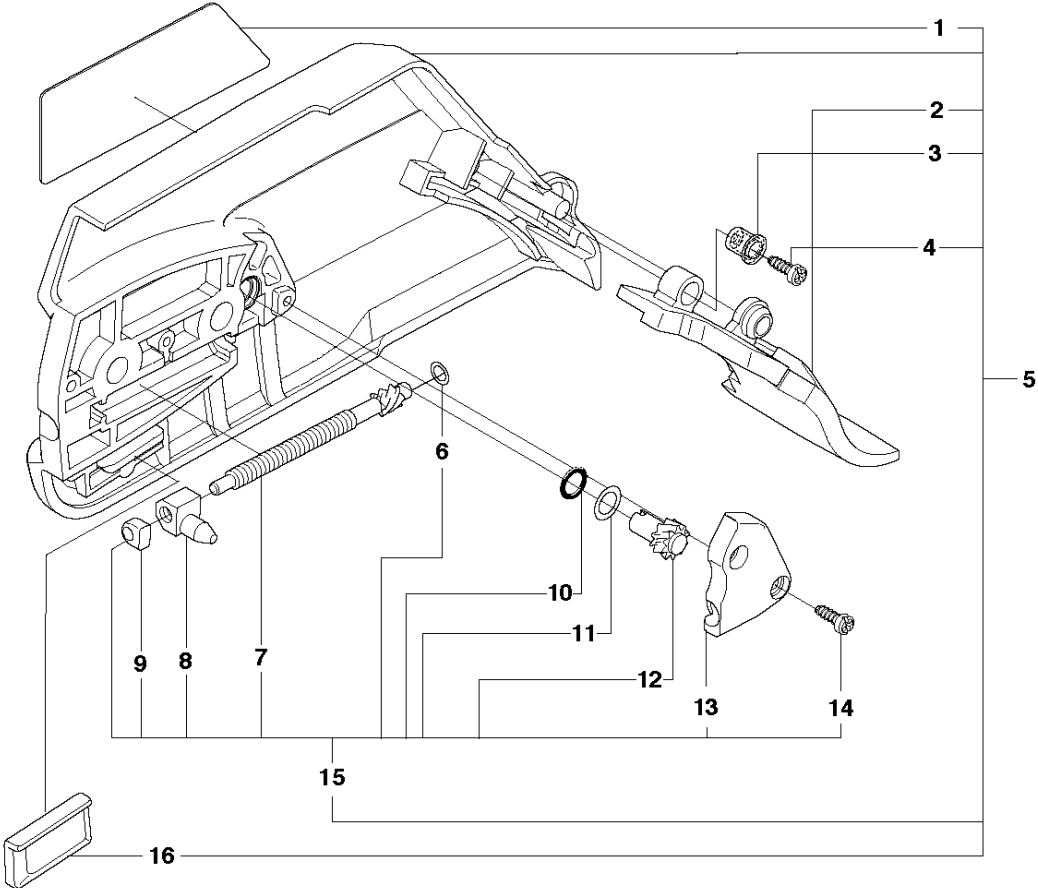


## CLUTCH &amp; OIL PUMP

576 XP, 576 XP EPA, from 2017-06

Ref	Part No	Description	Remark	QTY KIT	
1	504 54 72-02	CLUTCH DRUM ASSY	3/8 x 7T	1	
1	504 54 72-03	CLUTCH DRUM ASSY	3/8 x 8T	1	
2	503 75 24-01	WASHER		1	
3	503 27 21-01	E-CLIP		1	
4	501 59 80-02	RIM	3/8 x 7T	1	1
4	505 30 36-61	RIM	3/8 x 8T	1	1
5	503 43 20-01	NEEDLE HOLDER		1	1
6	537 36 06-01	CLUTCH SPRING		3	7
7	586 79 84-02	CLUTCH ASSY		1	
8	503 86 17-03	CLUTCH DRUM ASSY		1	
9	503 43 20-01	NEEDLE HOLDER		1	8
10	503 20 53-01	SCREW IHSCM		2	
11	501 89 53-01	OIL HOSE		1	
12	503 62 49-01	SEALING PLUG		1	19
13	503 52 15-01	PUMP PISTON		1	19
14	503 23 00-04	WASHER		2	19
15	501 61 58-01	SPRING		1	19
16	537 20 78-04	PUMP PINION		1	
17	537 20 91-01	OIL PRESSURE HOSE		1	
18	503 81 30-01	SPRING		1	19
19	503 52 13-03	OIL PUMP ASSY		1	
20	503 81 13-01	PIN SCREW		1	19
21	501 54 41-02	OIL SCREEN		1	

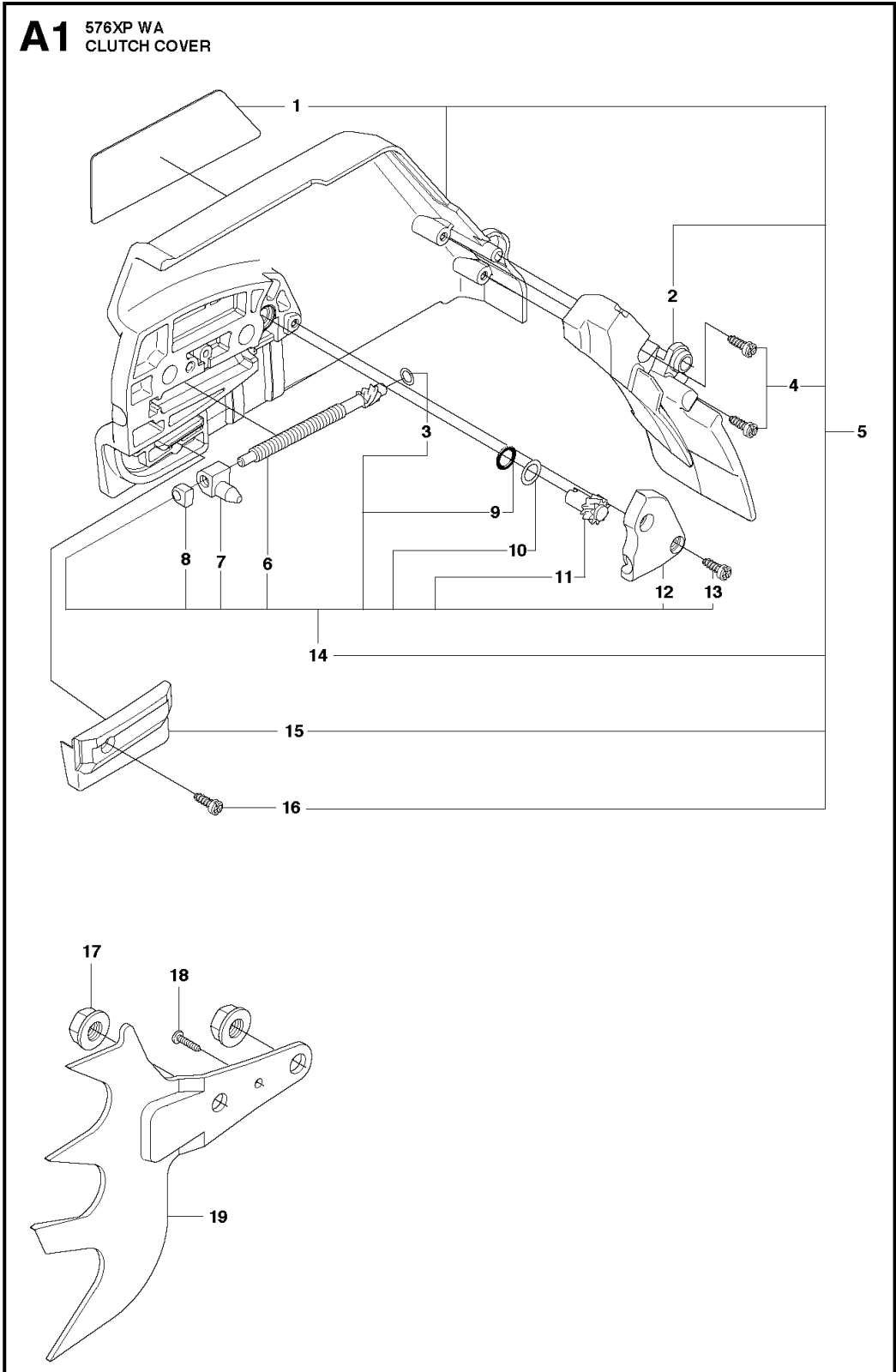
**A2** 576XP  
CLUTCH COVER



## CLUTCH COVER

576 XP, 576 XP EPA, from 2017-06

Ref	Part No	Description	Remark	QTY	KIT
1	537 03 38-03	LABEL		1	5
2	503 76 29-02	CHIP GUARD		1	5
3	503 89 70-01	SLEEVE		1	5
4	503 21 28-10	SCREW CCRPANT		1	5
5	537 03 35-04	CLUTCH COVER ASSY		1	
6	503 23 00-66	WASHER		1	15
7	537 07 95-02	WORM SCREW		1	15
8	503 99 83-01	PAWL		1	15
9	537 01 74-01	BEARING SLEEVE		1	15
10	740 48 07-02	O-RING		1	15
11	503 23 00-63	WASHER		1	15
12	537 07 94-02	WORM WHEEL		1	15
13	537 01 68-01	COVER		1	15
14	503 21 28-10	SCREW CCRPANT		2	15
15	537 04 41-02	CHAIN TENSIONER		1	5
16	501 51 72-01	CHAIN GUIDE		1	5
17	503 22 00-01	HEXAGON NUT		2	
18	503 21 28-10	SCREW CCRPANT		1	
19	503 71 97-01	SPIKE		1	

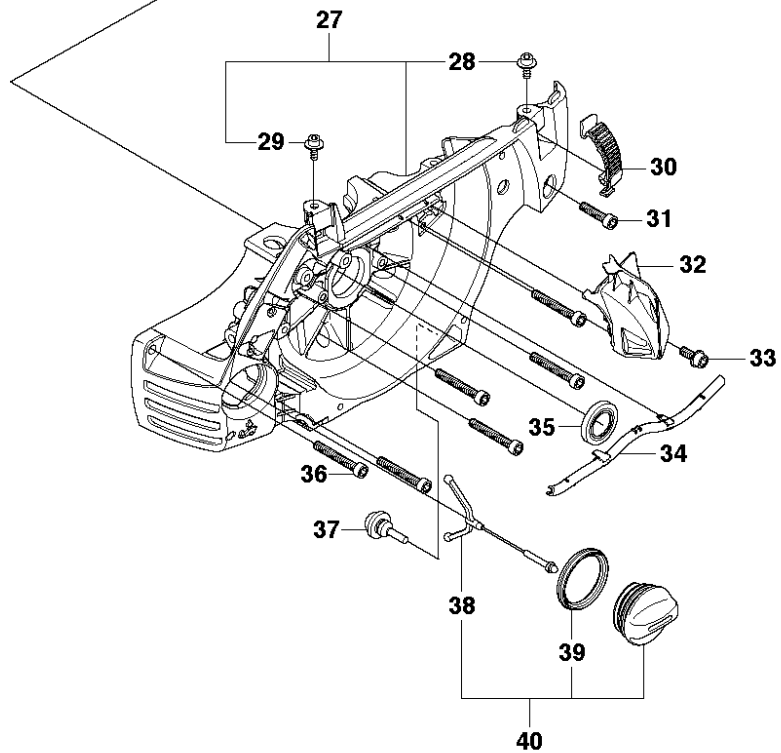
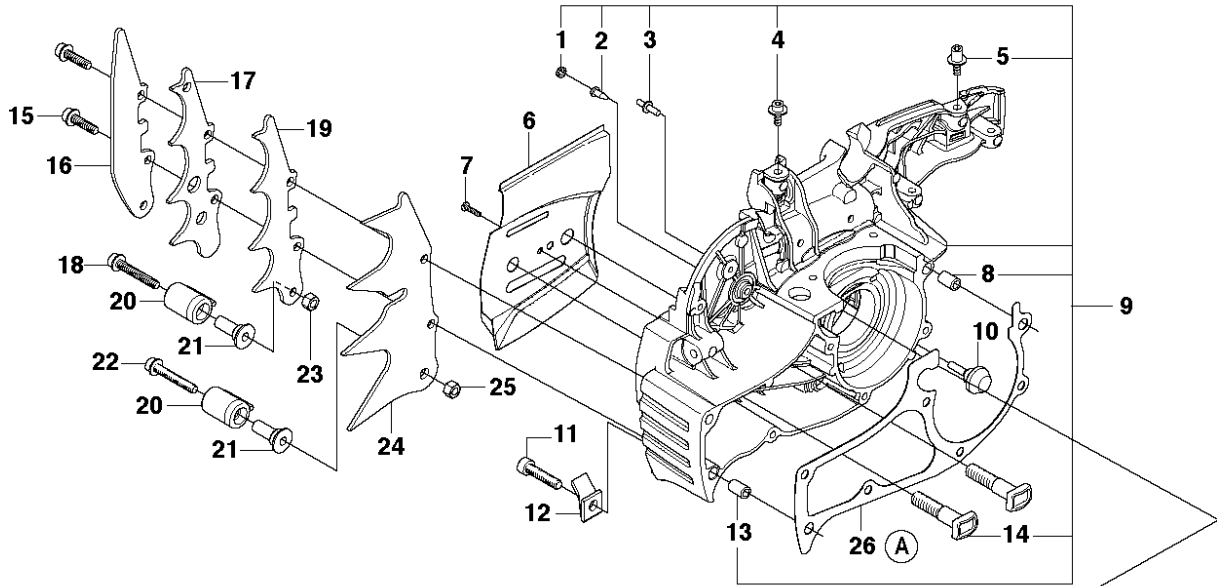


## CLUTCH COVER

576 XP, 576 XP EPA, from 2017-06

Ref	Part No	Description	Remark	QTY	KIT
1	537 03 38-03	LABEL		1	5
2	537 17 41-01	CHIP GUARD		1	5
3	503 23 00-66	WASHER		1	14
4	503 21 28-10	SCREW CCRPANT		1	5
5	537 33 10-05	CLUTCH COVER ASSY	576XPW	1	5
6	537 07 95-02	WORM SCREW		1	14
7	503 99 83-01	PAWL		1	14
8	537 01 74-01	BEARING SLEEVE		1	14
9	740 48 07-02	O-RING		1	14
10	503 23 00-63	WASHER		1	14
11	537 07 94-02	WORM WHEEL		1	14
12	537 01 68-01	COVER		1	14
13	503 21 28-10	SCREW CCRPANT		2	14
14	537 04 41-02	CHAIN TENSIONER		1	5
15	537 04 34-01	CHAIN GUIDE		1	5
16	503 21 28-10	SCREW CCRPANT		1	5
17	503 22 00-01	HEXAGON NUT		2	5
18	503 21 28-10	SCREW CCRPANT		1	
19	503 92 27-01	SPIKE		1	

**M** 576XP  
CRANKCASE



26  
Ⓐ 537 21 26-02  
Set of gaskets

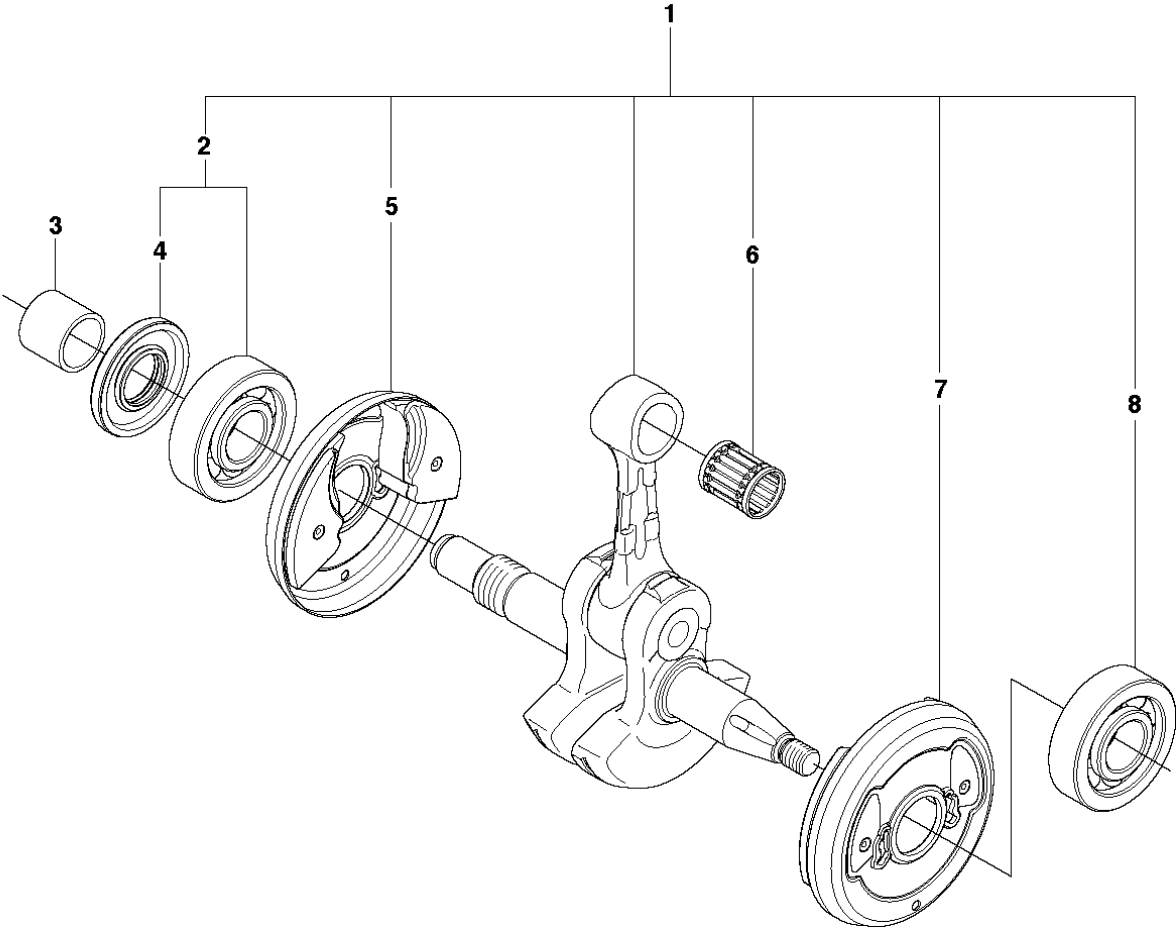


## CRANKCASE

576 XP, 576 XP EPA, from 2017-06

Ref	Part No	Description	Remark	QTY	KIT
1	537 40 35-01	FILTER		1	9
2	530 02 61-19	CHECK VALVE		1	9
3	537 20 30-01	PIN KNEE-JOINT		1	9
4	505 11 15-01	SCREW IHSCM		1	9
5	505 11 15-01	SCREW IHSCM		1	9
6	537 01 37-02	CHAIN GUIDE PLATE		1	
7	503 21 28-10	SCREW CCRPANT		1	
8	501 27 08-01	GUIDE BUSHING		1	9
9	544 89 66-02	CRANKCASE ASSY		1	
10	503 84 61-01	BUFFER		1	
11	503 20 73-20	SCREW IHSCM		1	
12	537 37 79-01	CHAIN CATCHER		1	
13	501 27 08-01	GUIDE BUSHING		1	9
14	537 05 13-01	BAR BOLT		2	9
15	503 21 26-16	SCREW IH PANM		2	
16	537 04 29-01	BUMPER		1	
17	503 64 79-02	SPIKE		1	
18	503 20 07-80	SCREW IHSCFM		1	
19	537 01 71-01	SPIKE		1	
20	537 02 44-01	WEAR PROTECTION		1	
21	537 08 92-01	CHAIN CATCHER		1	
22	503 20 07-80	SCREW IHSCFM		1	
23	503 22 24-01	LOCK NUT		1	
24	537 01 72-01	SPIKE		1	
25	503 22 24-01	LOCK NUT		1	
26	537 21 26-02	GASKET KIT	A = Set of gaskets	1	
27	544 89 66-02	CRANKCASE ASSY		1	
28	505 11 15-01	SCREW IHSCM		1	27
29	505 11 15-01	SCREW IHSCM		1	27
30	503 89 47-03	SNAP	Grey	4	
31	503 20 73-20	SCREW IHSCM		1	
32	537 20 92-01	AIR NOZZLE		1	
33	503 20 02-12	SCREW IHSCFM		1	
33	503 20 07-12	SCREW IHSCFM		1	
34	537 20 39-01	CABLE HOLDER		1	
35	505 48 68-01	RADIAL SEAL		1	
36	503 20 08-70	SCREW IHSCM		6	
37	503 84 61-01	BUFFER		1	
38	503 57 89-03	HOLDER		1	40
39	589 24 11-01	GASKET		1	40
40	537 21 52-07	TANK CAP ASSY		1	

**N** 576XP  
CRANKSHAFT

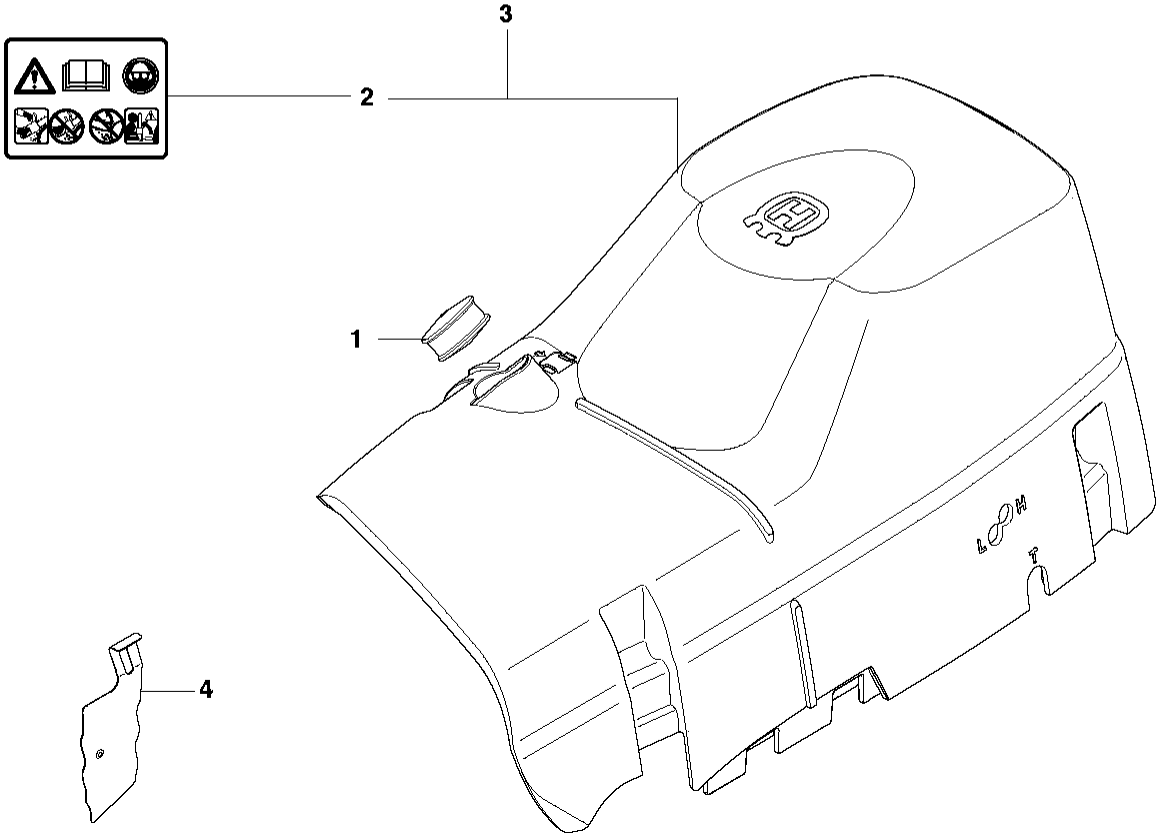


## CRANKSHAFT

576 XP, 576 XP EPA, from 2017-06

Ref	Part No	Description	Remark	QTY	KIT
1	505 12 19-02	CRANKSHAFT ASSY			
2	525 43 42-01	BALL BEARING		1	1
3	537 20 58-01	SLEEVE		1	
4	505 41 61-01	RADIAL SEAL		1	1, 2
5	537 20 33-01	CUP		1	1
6	503 25 56-01	NEEDLE BEARING		1	1
7	537 20 33-01	CUP		1	1
8	525 43 43-01	BALL BEARING		1	1

**E2** 576XP  
CYLINDER COVER

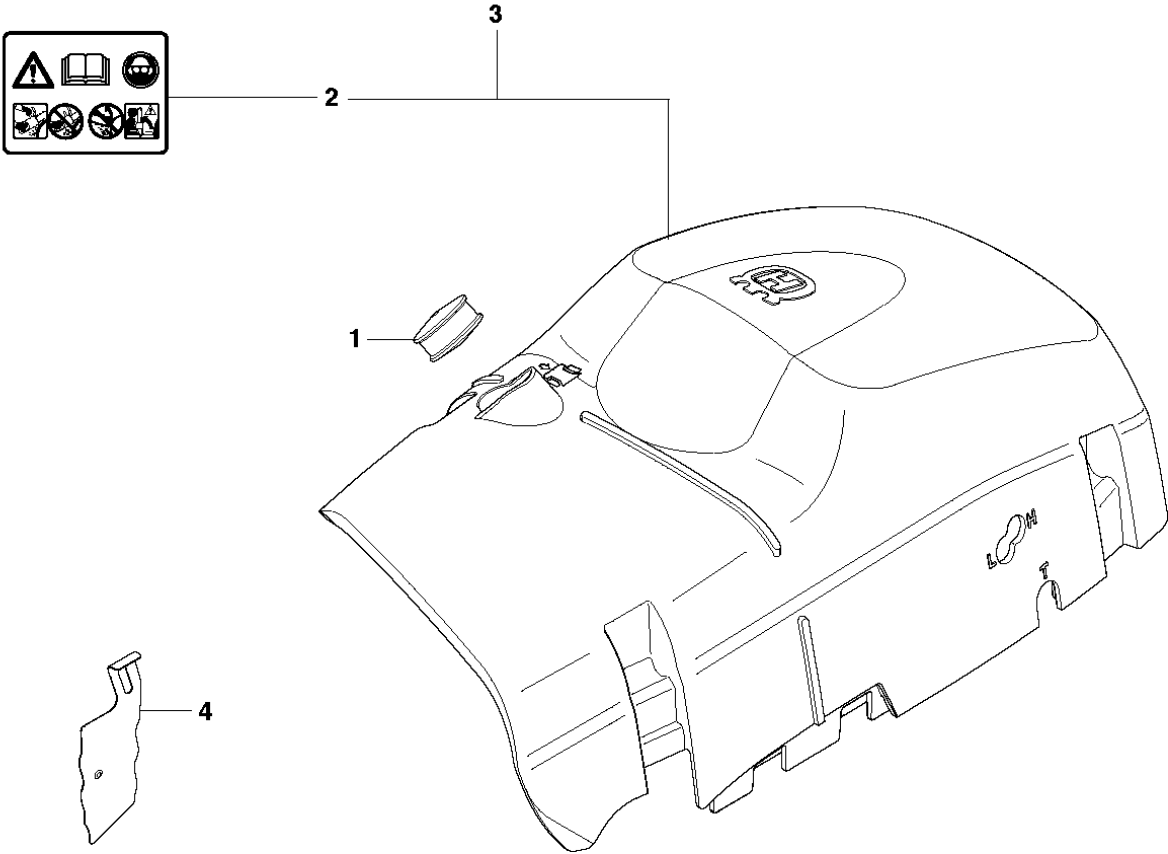


## CYLINDER COVER

576 XP, 576 XP EPA, from 2017-06

Ref	Part No	Description	Remark	QTY	KIT
1	537 20 71-01	PLUG		1	
2	503 98 74-01	LABEL		1	3
3	537 21 25-02	CYLINDER COVER		1	
4	537 21 05-01	WINTER COVER		1	

**E1** 576XP  
CYLINDER COVER

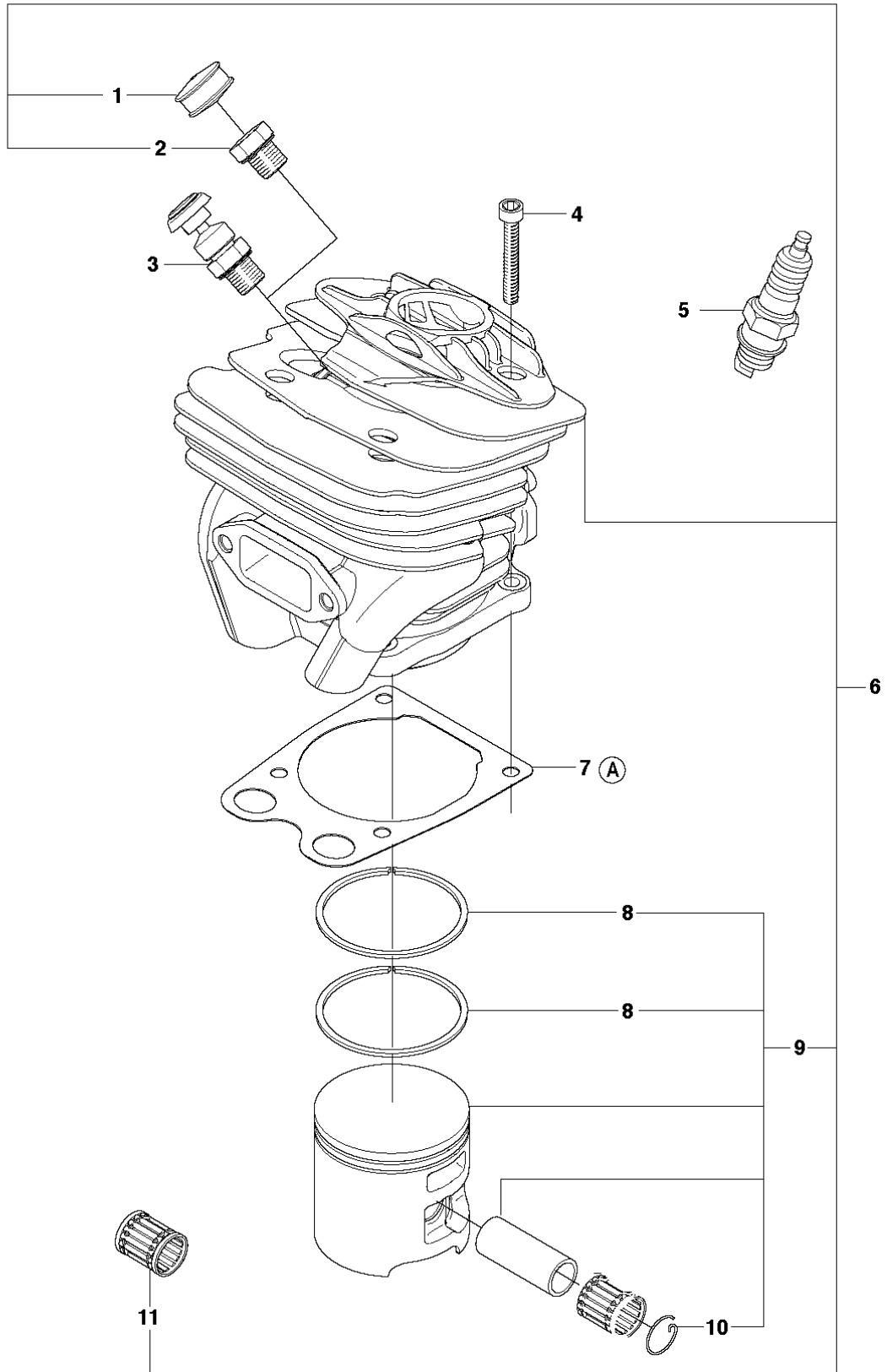


CYLINDER COVER

576 XP, 576 XP EPA, from 2017-06

Ref	Part No	Description	Remark	QTY	KIT
1	537 20 71-01	PLUG		1	
2	503 98 74-01	LABEL		1	3
3	537 21 25-01	CYLINDER COVER		1	
4	537 21 05-01	WINTER COVER		1	

**H** 576XP  
CYLINDER PISTON



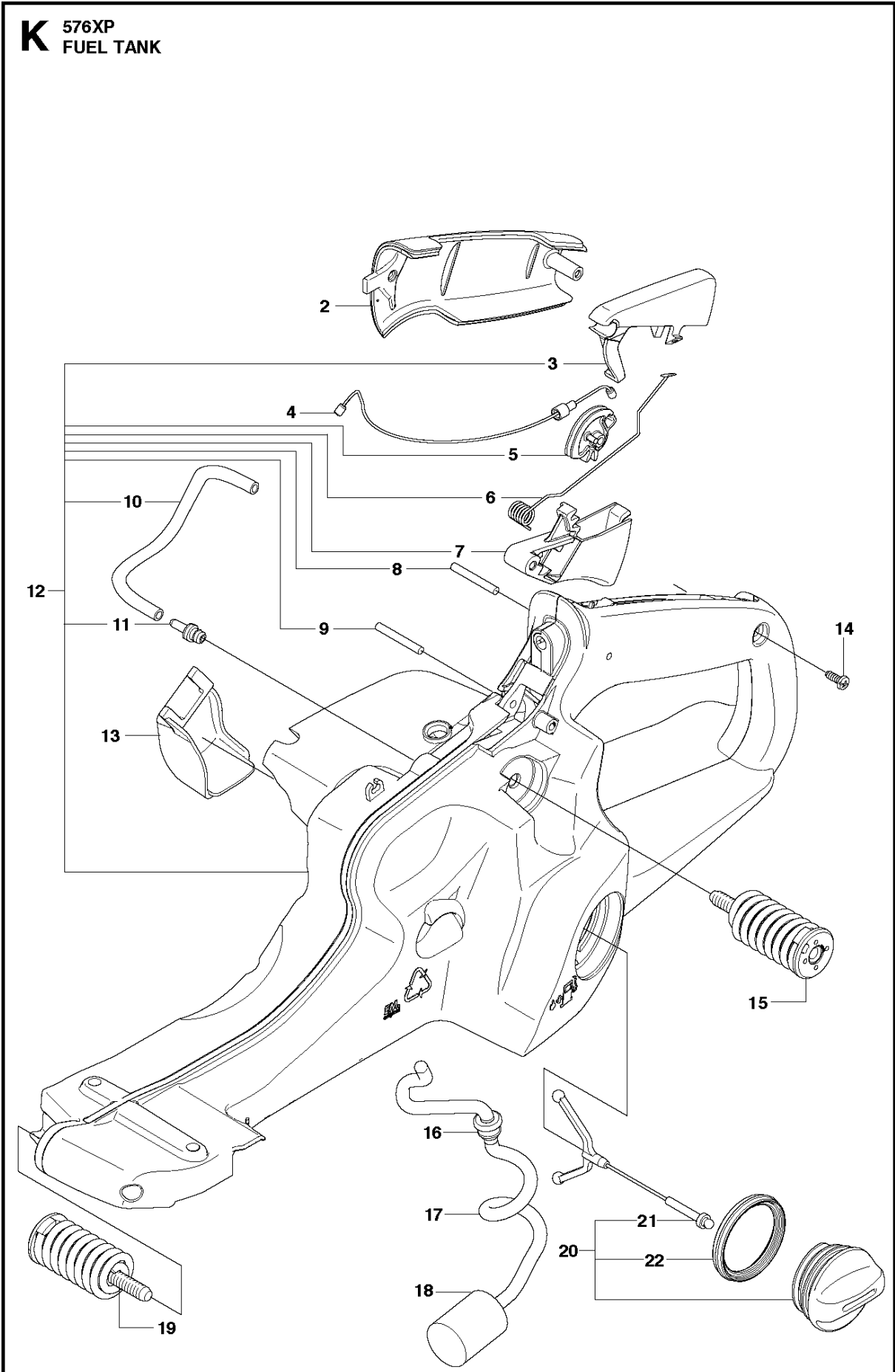
26  
Ⓐ 537 21 26-02  
Set of gaskets



## CYLINDER PISTON

576 XP, 576 XP EPA, from 2017-06

Ref	Part No	Description	Remark	QTY	KIT
1	537 20 71-01	PLUG		1	6
2	503 55 22-01	PLUG		1	6
3	584 28 87-01	DECOMPRESSION VALVE		1	
4	725 53 33-55	SCREW IHSCM		4	
5	503 23 51-11	SPARK PLUG		1	
6	575 25 74-06	CYLINDER ASSY		1	
7	544 98 15-01	GASKET		1	26
8	522 99 01-01	PISTON RING		2	6, 9
9	575 25 73-04	PISTON ASSY		1	6
10	737 43 12-00	SNAP RING		2	6, 9
11	577 57 24-01	NEEDLE BEARING		1	6
26	537 21 26-02	GASKET KIT	A = Set of gaskets	1	

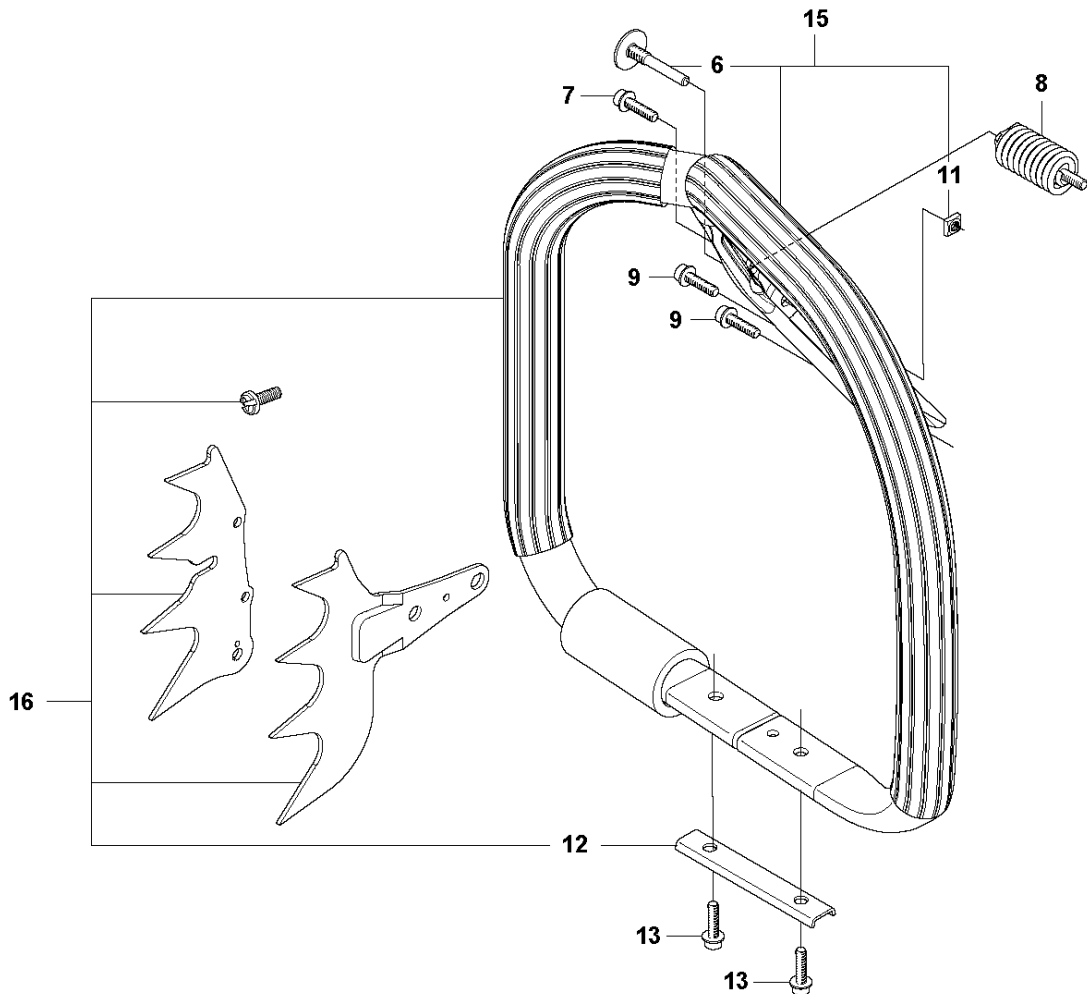
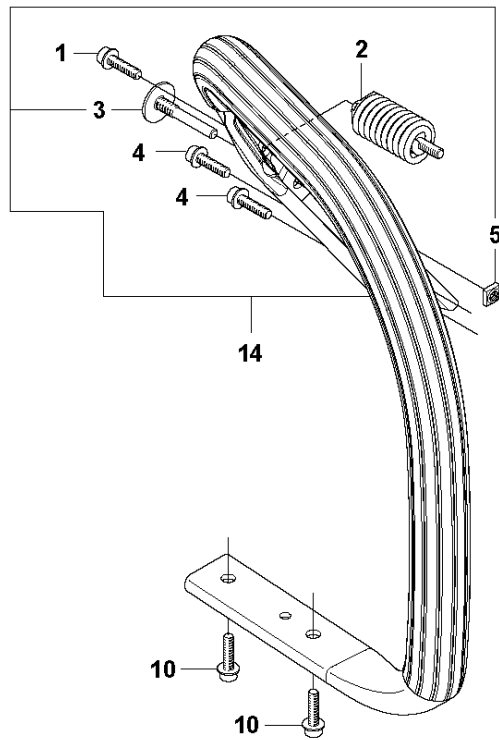


## FUEL TANK

576 XP, 576 XP EPA, from 2017-06

Ref	Part No	Description	Remark	QTY	KIT
2	537 20 56-01	COVER	Grey	1	
3	537 20 84-01	THROTTLE LOCKOUT		1	12
4	537 21 11-01	THROTTLE WIRE		1	
5	537 20 85-01	CABLE LEVER		1	12
6	537 20 98-01	SPRING		1	12
7	537 20 83-01	THROTTLE TRIGGER		1	12
8	720 12 40-20	PARALLEL PIN		1	12
9	720 12 40-20	PARALLEL PIN		1	12
10	581 75 61-06	FUEL HOSE		1	12
11	537 35 95-01	TANK VENT ASSY		1	12
12	537 21 35-04	FUEL TANK		1	
13	537 20 57-01	COVER		1	
14	503 21 28-10	SCREW CCRPANT		1	
15	537 21 03-01	ANTIVIBRATION ELEMENT	Std	1	
15	537 21 03-02	ANTIVIBRATION ELEMENT	Hard	1	
16	503 73 58-01	BUSHING		1	
17	581 75 62-02	FUEL HOSE		1	
18	503 44 32-01	FUEL FILTER		1	
19	537 21 03-03	ANTIVIBRATION ELEMENT	Std	1	
19	537 21 03-04	ANTIVIBRATION ELEMENT	Hard	1	
20	537 21 52-07	TANK CAP ASSY		1	
21	503 57 89-03	HOLDER		1	20
22	589 24 11-01	GASKET		1	20

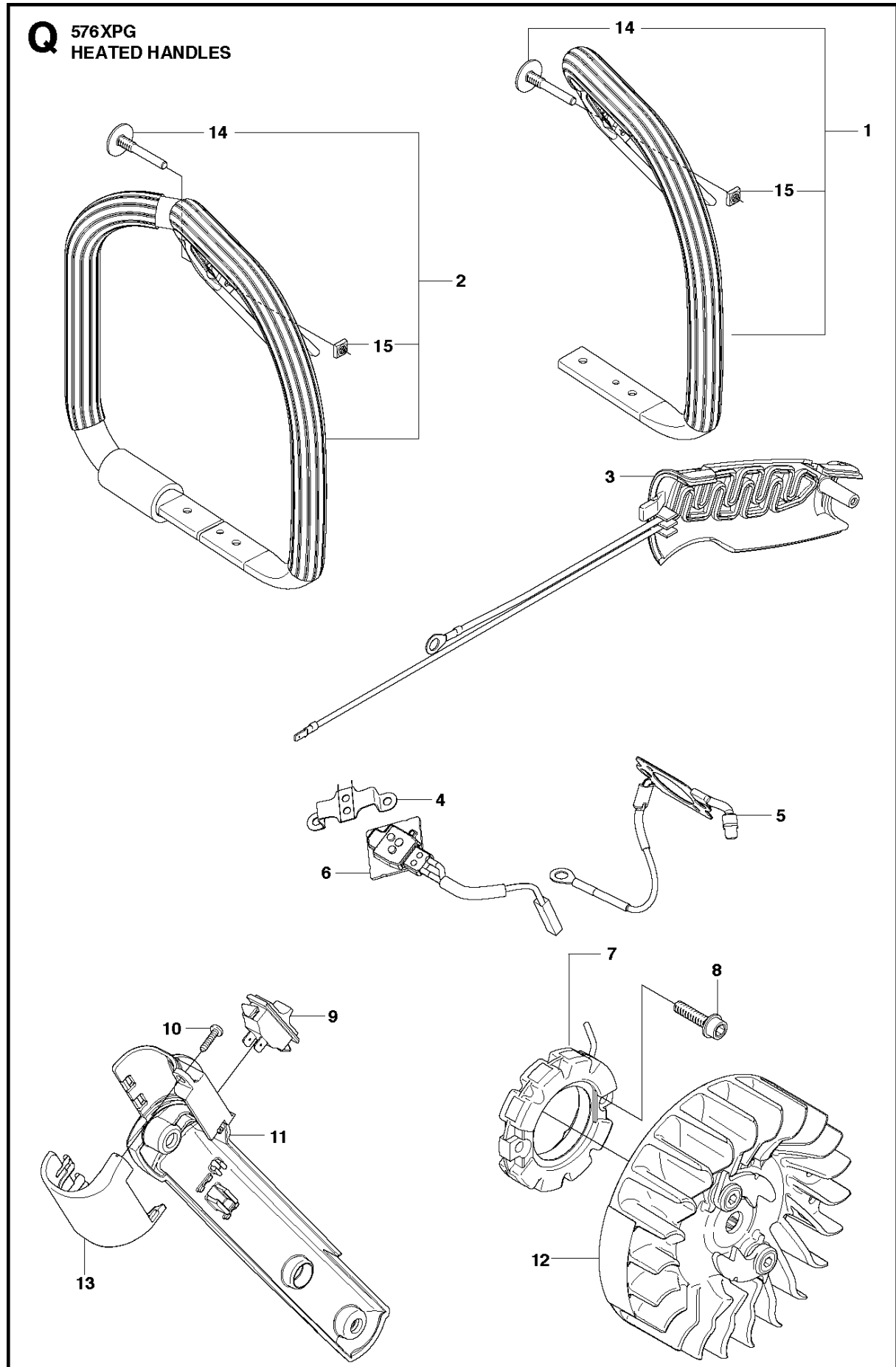
**J** 576XP  
HANDLE



## HANDLE

576 XP, 576 XP EPA, from 2017-06

Ref	Part No	Description	Remark	QTY	KIT
1	503 21 88-74	SCREW IHST		1	
2	503 63 75-02	ANTIVIBRATION ELEMENT		1	
3	503 20 47-01	SCREW IHPANM		1	14
4	503 21 88-74	SCREW IHST		2	
5	503 22 66-01	SQUARE NUT		1	14
6	503 20 47-01	SCREW IHPANM		1	15
7	503 21 88-74	SCREW IHST		1	
8	503 63 75-02	ANTIVIBRATION ELEMENT		1	
9	503 21 88-74	SCREW IHST		2	
10	503 21 88-74	SCREW IHST		2	
11	503 22 66-01	SQUARE NUT		1	15
12	537 03 73-01	REINFORCING PLATE		1	
13	503 21 88-74	SCREW IHST		2	
14	537 20 59-03	FRONT HANDLE ASSY	compl. 576XP Ø 27mm	1	
15	537 20 89-01	HANDLE	compl. 576 WA	1	
16	588 84 62-01	HANDLE		1	

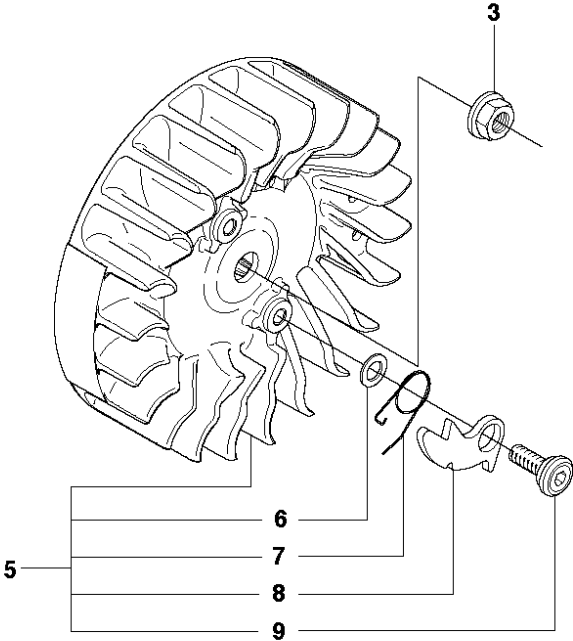
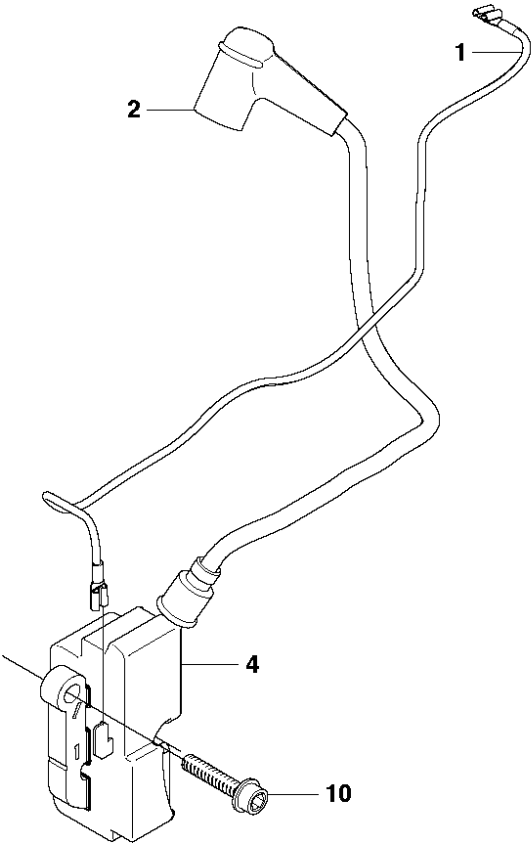


## HANDLES HEATED

576 XP, 576 XP EPA, from 2017-06

Ref	Part No	Description	Remark	QTY	KIT
1	537 20 59-02	FRONT HANDLE ASSY	G	1	
2	537 20 89-02	HANDLE	WAG	1	
3	537 21 31-01	COVER		1	
4	537 21 08-01	RETAINER		1	
5	537 21 28-01	FOIL ELEMENT		1	
6	537 21 29-01	THERMOSTAT ASSY		1	
7	537 21 34-01	GENERATOR STATOR		1	
8	503 20 26-16	SCREW IHSCM		2	
9	537 13 14-02	SWITCH		1	
10	503 21 28-10	SCREW CCRPANT		1	
11	537 21 09-01	COVER		1	
12	537 20 96-02	FLYWHEEL ASSY		1	
13	537 21 10-01	HUB CAP		1	
14	503 20 47-01	SCREW IHPANM		1	1, 2
15	503 22 66-01	SQUARE NUT		1	1,2

**D** 576XP  
IGNITION SYSTEM



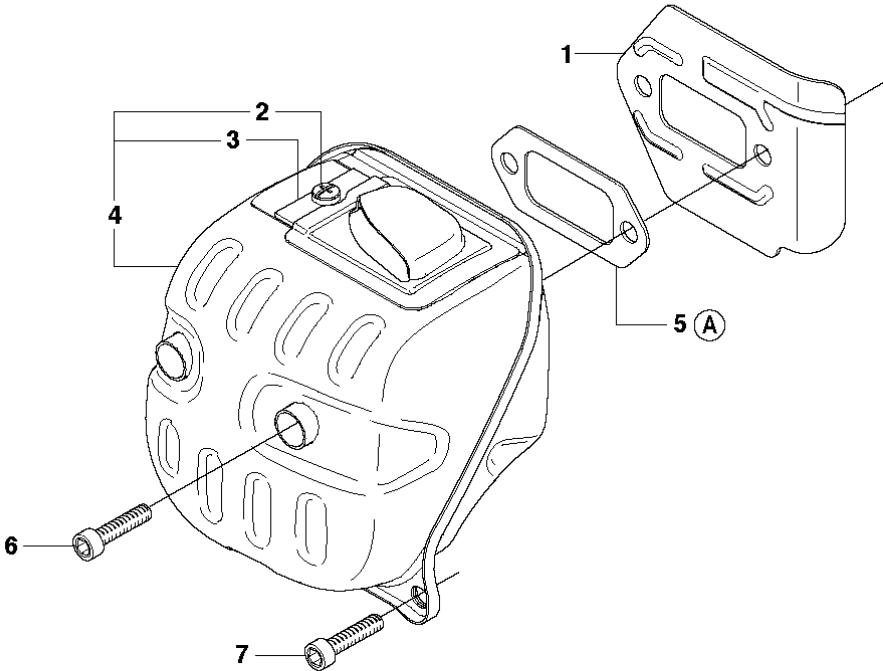


## IGNITION SYSTEM

576 XP, 576 XP EPA, from 2017-06

Ref	Part No	Description	Remark	QTY KIT	
1	537 20 86-01	SHORT CIRCUIT CABLE		1	
2	506 08 25-01	SPARK PLUG CAP		1	
3	503 22 04-01	NUT		1	
4	522 79 54-02	IGNITION MODULE	COT	1	
5	537 20 96-01	FLYWHEEL ASSY		1	
6	503 23 00-42	WASHER		2	5
7	501 67 35-01	SPRING		2	5
8	501 67 32-01	PAWL		2	5
9	501 81 99-01	SCREW		2	5
10	503 20 02-20	SCREW IHSCFM		2	

**G** 576XP  
MUFFLER



26

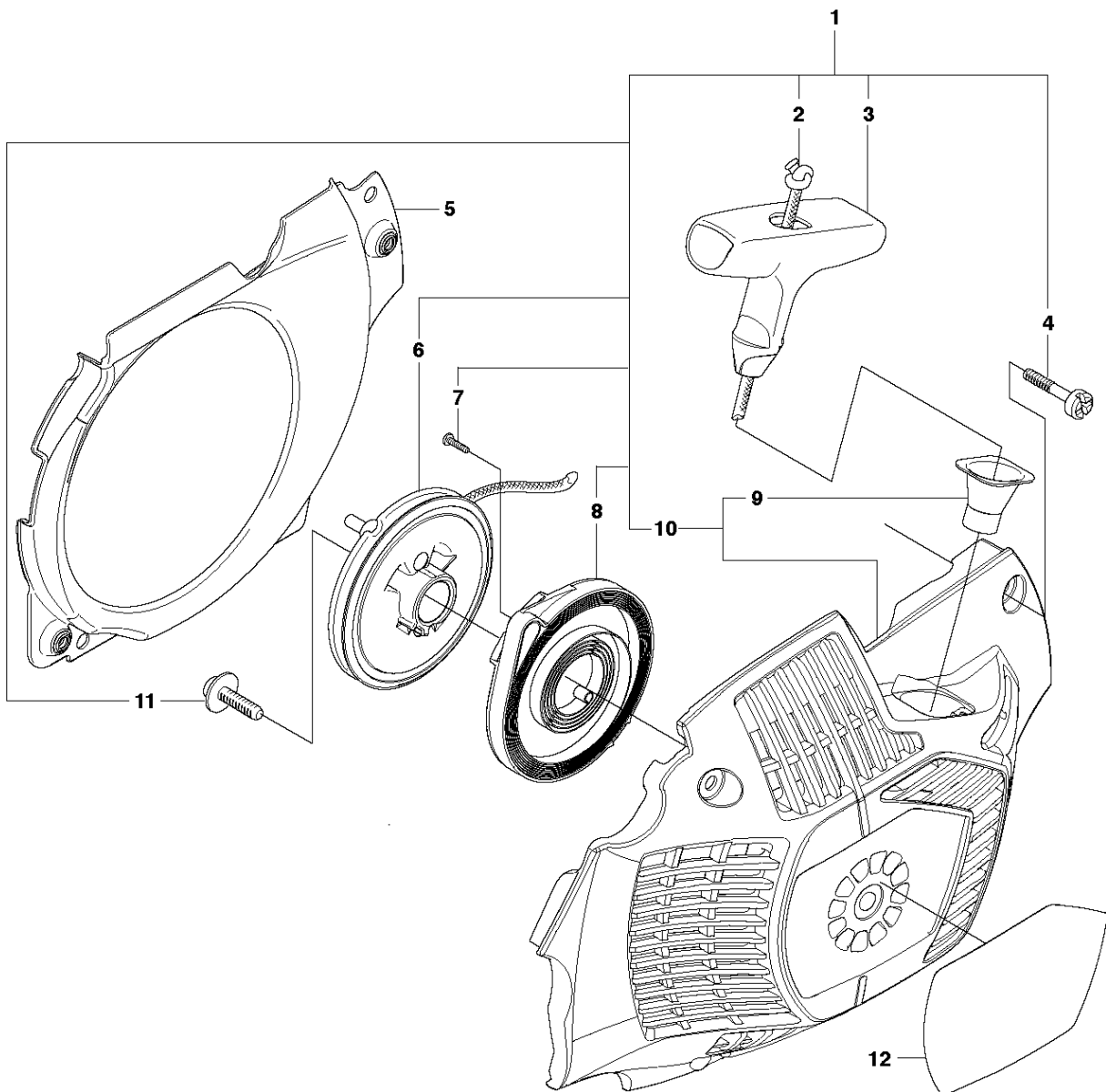
Ⓐ 537 21 26-02  
Set of gaskets

## MUFFLER

576 XP, 576 XP EPA, from 2017-06

Ref	Part No	Description	Remark	QTY	KIT
1	537 21 06-01	HEAT DEFLECTOR		1	
2	724 12 87-59	SCREW CRPANM		1	4
3	503 76 64-02	SPARK ARRESTER SCREEN		1	4
4	544 03 02-01	MUFFLER ASSY	FF CE	1	
4	544 03 02-02	MUFFLER ASSY	DF US	1	
5	537 20 82-01	GASKET		1	26
6	725 53 70-55	SCREW IHSCM		2	
7	503 20 73-20	SCREW IHSCM		2	
26	537 21 26-02	GASKET KIT	A = Set of gaskets	1	

**C** 576XP  
STARTER

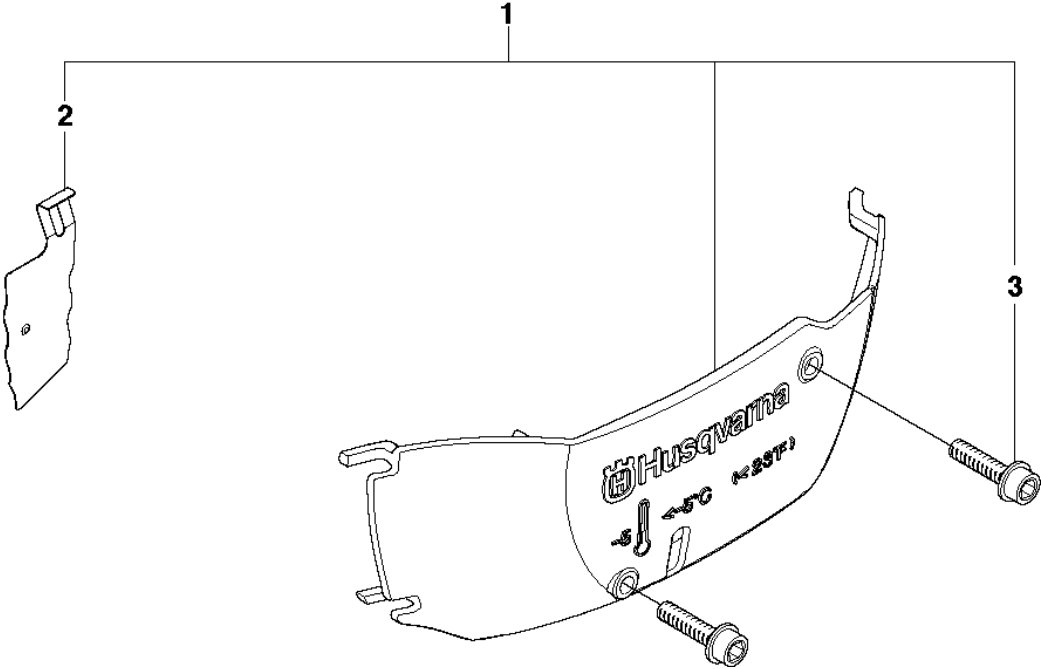


## STARTER

576 XP, 576 XP EPA, from 2017-06

Ref	Part No	Description	Remark	QTY	KIT
1	504 04 55-02	STARTER ASSY		1	
2	505 30 51-25	STARTER CORD		1	1
3	537 23 25-01	STARTER HANDLE		1	1
4	544 08 03-01	SCREW		4	1
5	537 20 26-01	AIR CONDUCTOR		1	1
6	537 20 24-01	STARTER PULLEY ASSY		1	1
7	503 21 28-13	SCREW CCRPANT		2	1
8	505 06 53-01	SPRING CASSETTE ASSY		1	1
9	537 28 32-01	REINFORCEMENT SLEEVE		1	1, 10
10	504 04 54-01	STARTER HOUSING		1	1
11	503 20 52-16	SCREW IHST		1	1
12	504 09 41-01	LABEL	576XP	1	
12	504 09 41-02	LABEL	576XPG	1	

**R** 576XP  
WINTER KIT



## WINTER KIT

576 XP, 576 XP EPA, from 2017-06

Ref	Part No	Description	Remark	QTY	KIT
1	504 04 57-01	WINTER KIT		1	
2	537 21 05-01	WINTER COVER		1	1
3	503 21 70-16	SCREW CCRPANT		2	1

# Illustrated Parts List - IPL Update



Product Name(s)

**H576 XP H576 XP EPA**

Description of change

1. Brake spring, New length 90mm
2. Clutch Assy, Clutch hub gives better durability on main bearing and big end bearing.
3. New Handle Kit, wrap available.

Comments

Fully interchangeable

Introduced from

Serial number / Date	Remark
20150804	Brake Spring 503 70 99-02
20151029	Clutch Assy 586 79 84-02
20160908	Tank cap assy 537 21 52-07

IPL updates

Page Title	Ref. no	New part no	Name	Excl. part no.	Remark
Chain Brake	17	503 70 99-02	Brake Spring	503 70 99-01	
Clutch & Oil Pump	7	586 79 84-02	Clutch Assy	503 74 44-05	
Crankcase	38	503 57 89-03	Holder	503 57 89-01	Remain as spare part.
Crankcase	39	589 24 11-01	Gasket	537 21 50-01	
Crankcase	40	537 21 52-07	Tank Cap Assy	537 21 52-02	
Fuel Tank	20	537 21 52-07	Tank Cap Assy	537 21 52-02	
Fuel Tank	21	503 57 89-03	Holder	503 57 89-01	
Fuel Tank	22	589 24 11-01	Gasket	537 21 50-01	
Handle	16	588 84 62-01	Handle Wrap		

## Handle kit, wrap

### Kit content:

- 537 20 89-01 Handle
- 537 01 72-01 Inner West Coast Spike
- 503 92 27-01 Outer West Coast Spike
- 503 21 28-10 Outer Spike Screw
- 537 03 73-01 Support Plate
- 588 84 69-01 Assembly Instruction

588 84 62-01