

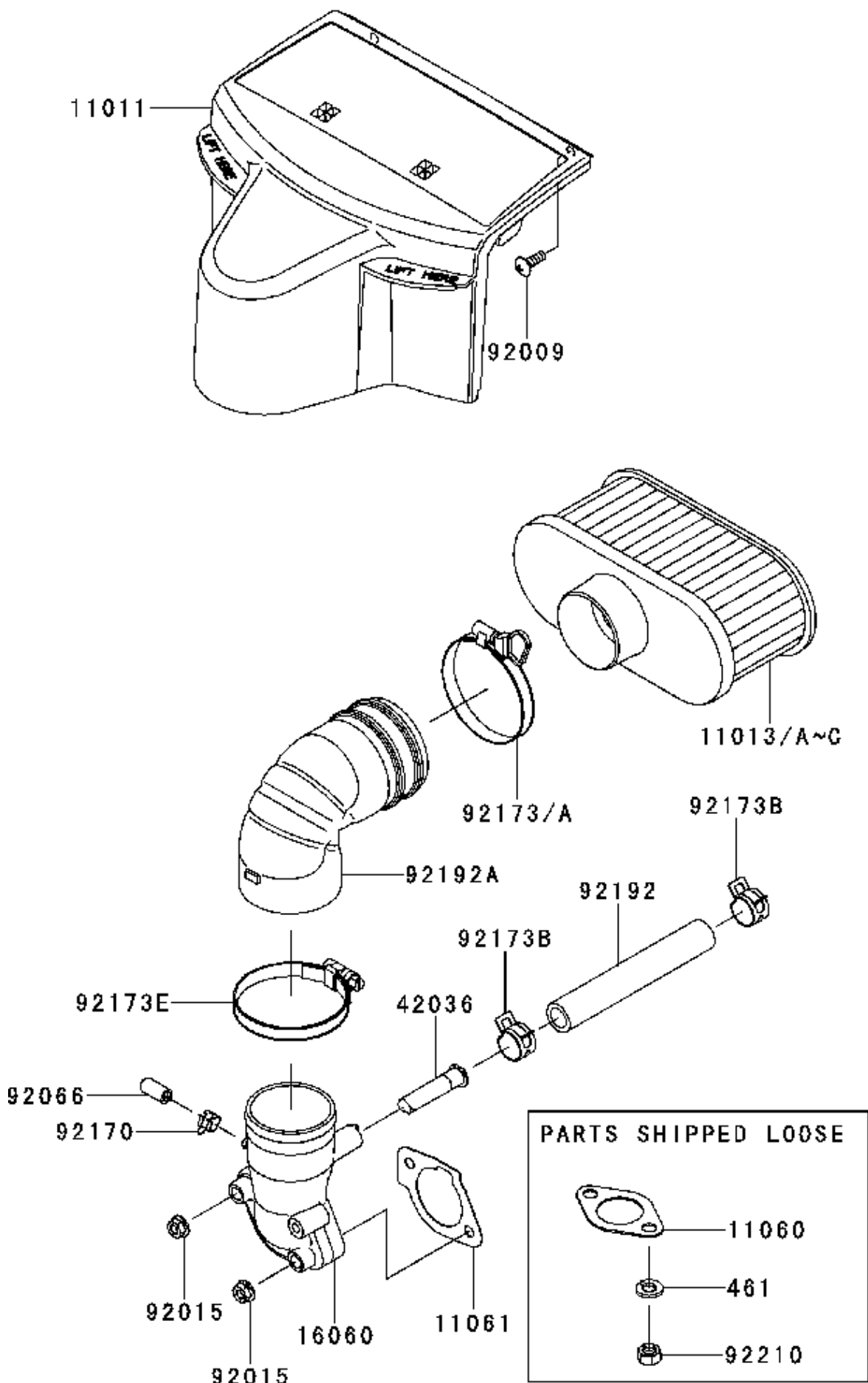


SPARE PARTS LIST

ENGINES & TRANSMISSIONS

KAWASAKI ENGINES, FR691V-DS15,
2017-09

E0190-B404B

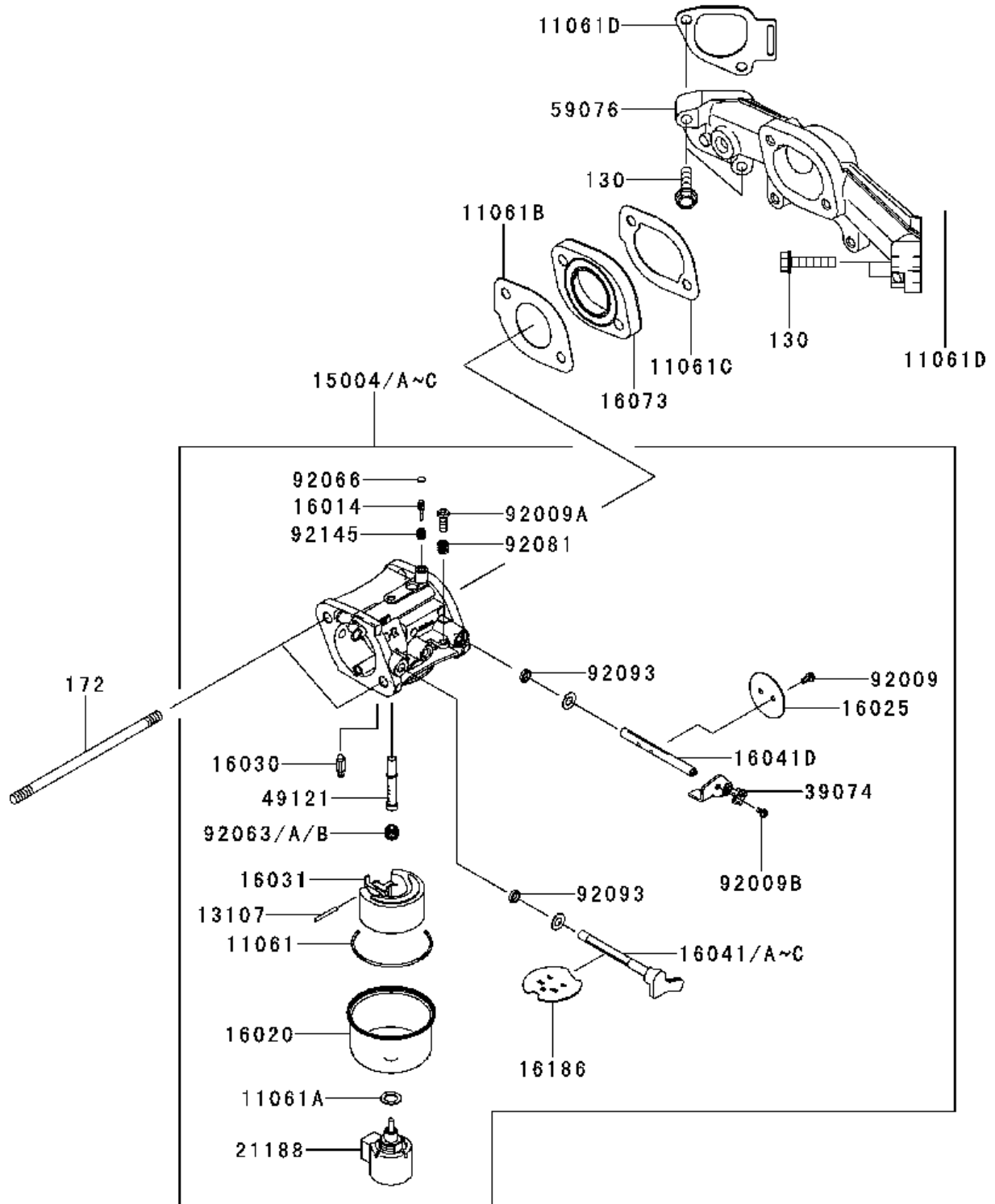


AIR FILTER & MUFFLER

KAWASAKI ENGINES, FR691V-DS15, 2017-09

Ref	Part No	Description	Remark	QTY KIT
11011	591 45 74-37	CASE	CASE-AIR FILTER	1
11013	585 45 50-02	AIR FILTER	ELEMENT-AIR FILTER	1
Not shown	586 62 95-01	AIR FILTER	ELEMENT-PRE FILTER	1
11060	110 60 70-16	GASKET	GASKET	2
11061	586 63 05-01	GASKET	GASKET,CARBURETOR/ PIPE	1
16060	586 63 07-01	PIPE	PIPE-INTAKE	1
42036	592 73 97-28	SLEEVE	SLEEVE,BREATHER	1
461	577 58 17-01	WASHER	WASHER-SPRING,8MM	4
92009	586 52 54-01	SCREW	SCREW	2
92015	577 58 08-01	NUT	NUT,FLANGED,6MM	2
92066	586 51 88-01	PLUG	PLUG	1
92170	586 51 89-01	CLAMP	CLAMP	1
92173	586 63 08-01	CLAMP	CLAMP	1
92173B	577 58 10-01	CLAMP	CLAMP	2
92173E	580 46 66-01	CLAMP	CLAMP	1
92192	586 51 90-01	TUBE	TUBE,12.6X18.6X118	1
92192A	586 63 10-01	TUBE	TUBE	1
92210	577 58 14-01	NUT	NUT,M8	4

E0180-A945D

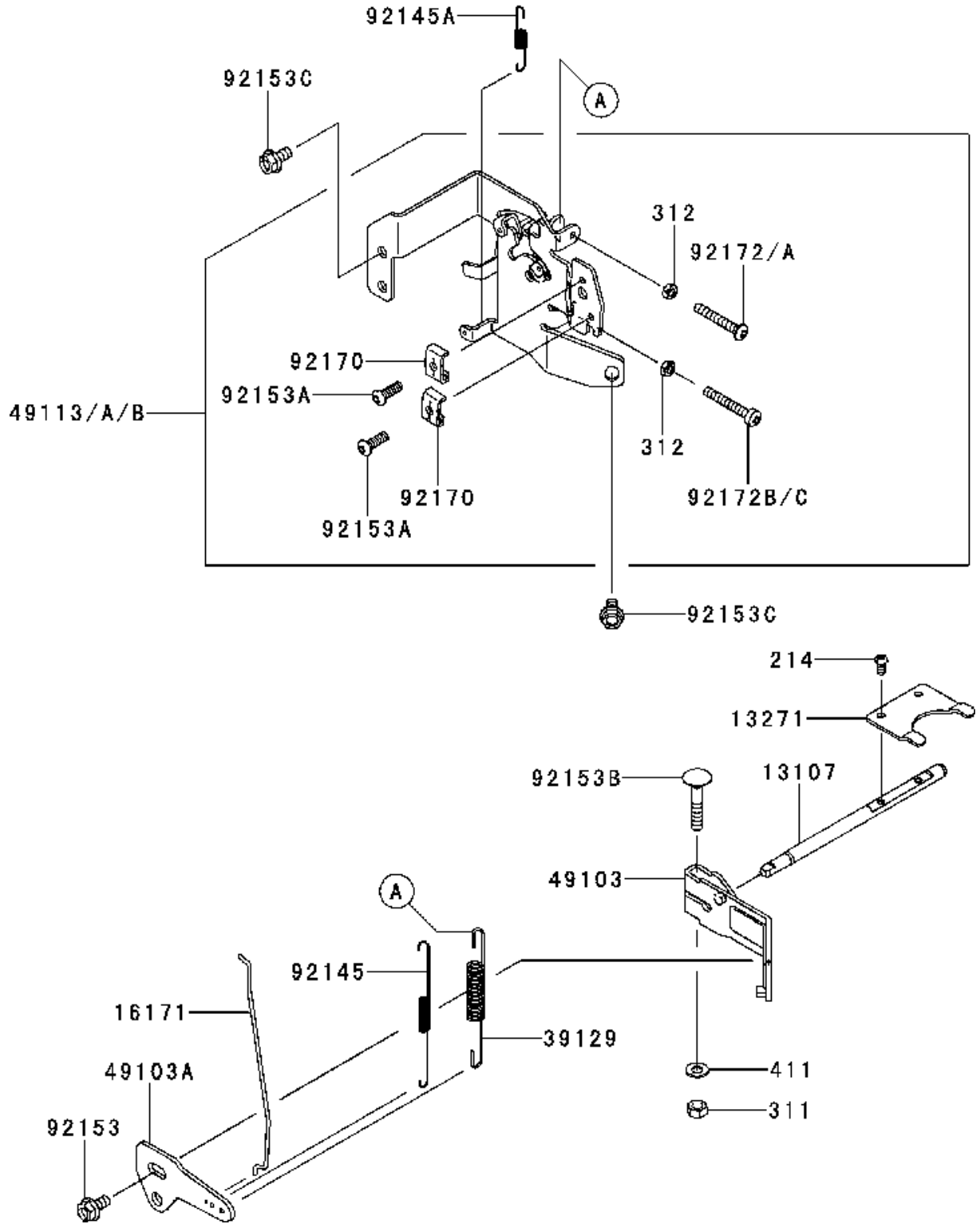


CARBURETOR

KAWASAKI ENGINES, FR691V-DS15, 2017-09

Ref	Part No	Description	Remark	QTY KIT
11061	110 61 70-09	GASKET	GASKET,CHAMBER	1
11061A	110 61 70-10	GASKET	GASKET	1
11061B	586 62 36-01	GASKET	GASKET,INSULATOR	1
11061C	586 62 37-01	GASKET	GASKET,INSULATOR/MANI	1
11061D	586 51 91-01	GASKET	GASKET,MANIFOLD	2
13107	131 07 70-18	PEN	SHAFT	1
15004	591 45 74-34	CARBURETTOR	CARBURETOR-ASSY	1
16014	586 74 57-01	SCREW	SCREW-PILOT AIR	1
16020	160 20 70-03	CHAMBER-FLOAT	CHAMBER-FLOAT	1
16025	586 74 59-01	VALVE	VALVE-THROTTLE	1
16030	160 30 70-03	VALVE-NEEDLE	VALVE-FLOAT	1
16031	160 31 70-02	FLOAT	FLOAT	1
16041	586 74 61-01	SHAFT	SHAFT-CARBURETOR	1
16041D	591 45 75-91	SHAFT	SHAFT-CARBURETOR,THRO	1
16073	586 62 88-01	INSULATOR	INSULATOR	1
16186	586 62 89-01	VALVE	VALVE-ASSY-CHOKE	1
21188	211 88 70-02	SOLENOID	SOLENOID	1
39074	591 45 75-19	LEVER	LEVER-ASSY-THROTTLE	1
49121	586 62 91-01	NOZZLE	NOZZLE-MAIN	1
59076	591 45 75-27	MANIFOLD	MANIFOLD-INTAKE	1
92009	920 09 20-83	SCREW	SCREW	2
92009A	586 62 94-01	SCREW	SCREW	1
92009B	591 45 75-78	SCREW	SCREW	1
92063	586 62 96-01	JET	JET-MAIN,#122	
92063A	586 62 97-01	JET	JET-MAIN,#124	1
92063B	591 45 75-08	JET	JET-MAIN,#120	
92066	586 62 99-01	PLUG	PLUG	1
92081	920 81 22-34	SPRING	SPRING	1
92093	586 63 00-01	SEAL	SEAL	2
Not shown	591 45 74-73	GASKET KIT	CARB GASKET KIT	1
130	577 56 26-01	BOLT	BOLT-FLANGED,6X30	4
172	586 52 02-01	BOLT	BOLT-STUD	2
92145	586 63 02-01	SPRING	SPRING	1

E0170-A748F

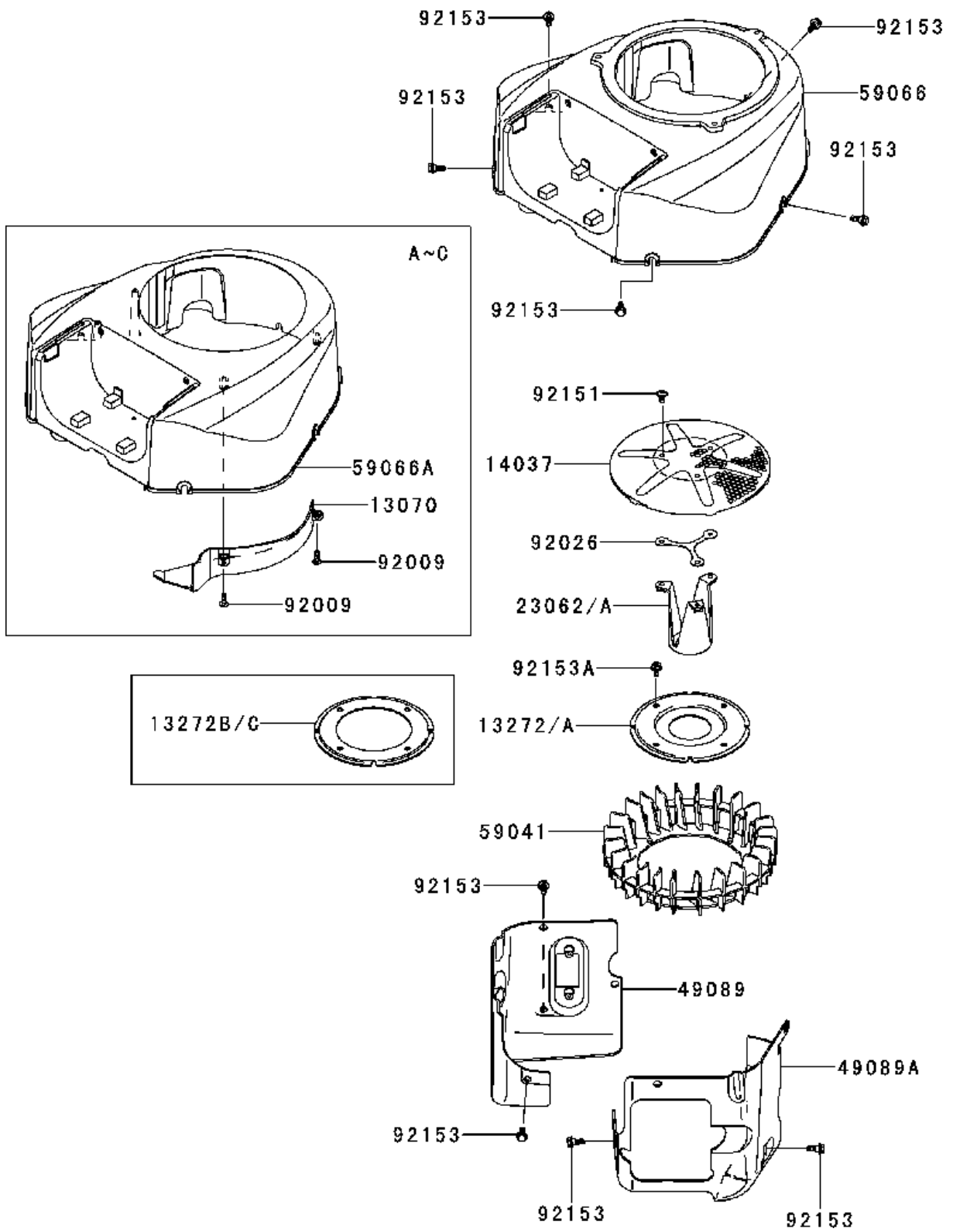


CONTROLS

KAWASAKI ENGINES, FR691V-DS15, 2017-09

Ref	Part No	Description	Remark	QTY KIT
13107	577 74 12-01	SHAFT	SHAFT	1
13271	577 57 12-01	PLATE	PLATE	1
16171	586 62 33-01	LINK	LINK	1
214	577 57 61-01	SCREW	SCREW-PAN+-	2
311	577 57 62-01	NUT	NUT-HEX,6MM	1
312	577 57 63-01	NUT	NUT-HEX	2
39129	586 52 23-01	SPRING	SPRING-GOVERNOR	1
411	577 57 64-01	WASHER	WASHER- PLAIN,6.5X13X1	1
49103	586 52 24-01	ARM	ARM-GOVERNOR	1
49103A	592 73 97-37	ARM	ARM-GOVERNOR	1
49113	592 73 97-40	PANEL	PANEL-COMP-CONTROL	1
92145	586 52 27-01	SPRING	SPRING	1
92145A	586 52 28-01	SPRING	SPRING	1
92153	577 68 25-01	BOLT	BOLT,FLANGED,6X12	1
92153A	921 53 70-01	BOLT	BOLT,SOCKET,5X16	2
92153B	577 68 26-01	BOLT	BOLT,6X35	1
92153C	577 58 20-01	BOLT	BOLT,6X12	2
92170	921 70 70-01	CLAMP	CLAMP	2
92172	591 45 75-80	SCREW	SCREW,5X35	1
92172B	586 59 34-01	SCREW	SCREW	1

E0150-B134A

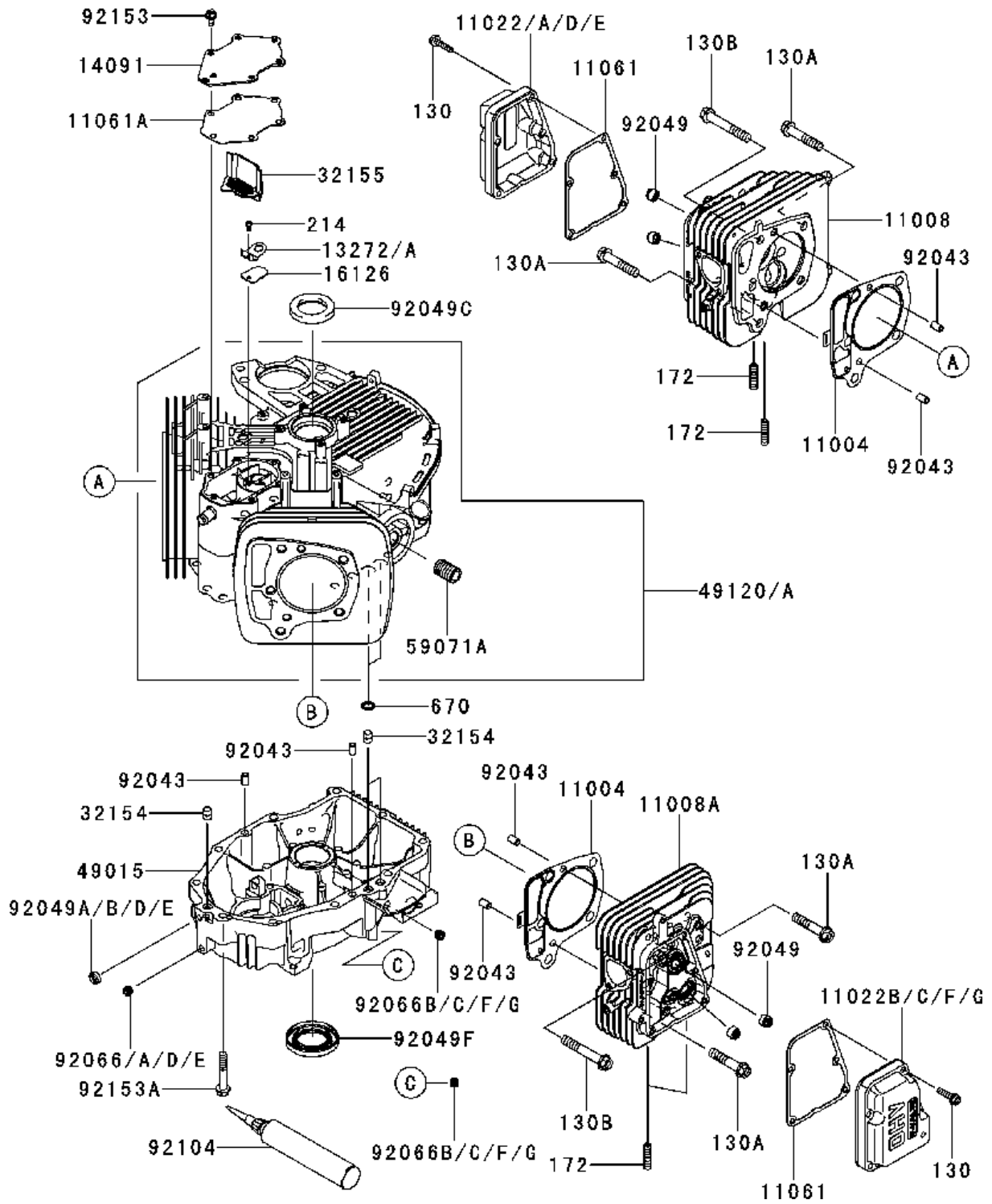


COOLING SYSTEM

KAWASAKI ENGINES, FR691V-DS15, 2017-09

Ref	Part No	Description	Remark	QTY KIT
13272	591 45 75-52	PLATE	PLATE	1
14037	586 59 35-01	SCREEN	SCREEN	1
23062A	586 62 23-01	BRACKET	BRACKET-COMP	1
49089	586 62 24-01	SHROUD	SHROUD-ENGINE	1
49089A	586 62 25-01	SHROUD	SHROUD-ENGINE	1
59041	586 52 34-01	FAN	FAN	1
59066	586 62 27-01	HOUSING	HOUSING-FAN	1
92026	586 62 28-01	SPACER	SPACER	1
92151	577 68 36-01	BOLT	BOLT,6X12	3
92153	921 53 70-07	BOLT	BOLT,RECOIL STARTER	9
92153A	577 58 20-01	BOLT	BOLT,6X12	4

E0110-A767Y



CYLINDER & CRANKCASE

KAWASAKI ENGINES, FR691V-DS15, 2017-09

Ref	Part No	Description	Remark	QTY KIT
11004	586 54 91-01	GASKET	GASKET-HEAD	2
11008	586 54 92-02	CYLINDER	HEAD-COMP-CYLINDER,#1	1
11008A	591 45 74-92	HEAD	HEAD-COMP-CYLINDER,#2	1
11022	592 73 97-04	CASE	CASE-ROCKER,#1CYL	1
11022B	592 73 97-05	CASE	CASE-ROCKER,#2CYL	1
11061	586 52 36-01	GASKET	GASKET,CASE-ROCKER	2
11061A	586 52 39-01	GASKET	GASKET,BREATHER	1
13272	586 59 38-01	PLATE	PLATE	1
14091	586 52 41-01	COVER	COVER,BREATHER	1
16126	577 69 28-01	VALVE	VALVE,BREATHER	1
32154	591 45 75-38	PIN	PIN	3
32155	592 73 97-27	PIPE	PIPE,BREATHER	1
49015	591 45 74-54	COVER	COVER-CRANKCASE	1
49120	591 45 74-57	CRANKCASE	CRANKCASE-COMP	1
59071A	591 45 75-10	JOINT	JOINT	1
92043	586 52 44-01	PEN	PIN,DOWEL,6.2X8X14	6
92049	920 49 70-01	SEAL-OIL	SEAL-OIL	4
92049C	920 49 70-10	SEAL-OIL	SEAL-OIL,SD 35X48X8 R	1
92049D	586 44 16-01	SEAL	SEAL-OIL,SO 8X14X5 HS	1
92049F	586 52 45-01	SEAL	SEAL-OIL,38X62X8MTCLV	1
92066	591 45 75-53	PLUG	PLUG	1
92066B	586 62 16-01	PLUG	PLUG	2
130	586 52 40-01	BOLT	BOLT-FLANGED	10
130A	577 69 24-01	BOLT	BOLT-FLANGED,10X50	4
130B	577 56 28-01	BOLT	BOLT-FLANGED	6
172	577 56 29-01	BOLT	BOLT-STUD	4
214	577 57 61-01	SCREW	SCREW-PAN+-	1
670	577 69 33-01	O-RING	O RING	2
92104	586 59 40-01	GASKET	GASKET-LIQUID,TB1217H	
92153	577 58 20-01	BOLT	BOLT,6X12	6
92153A	586 52 47-01	BOLT	BOLT,8X50	10

F0290-B858A

56033



56071



56080

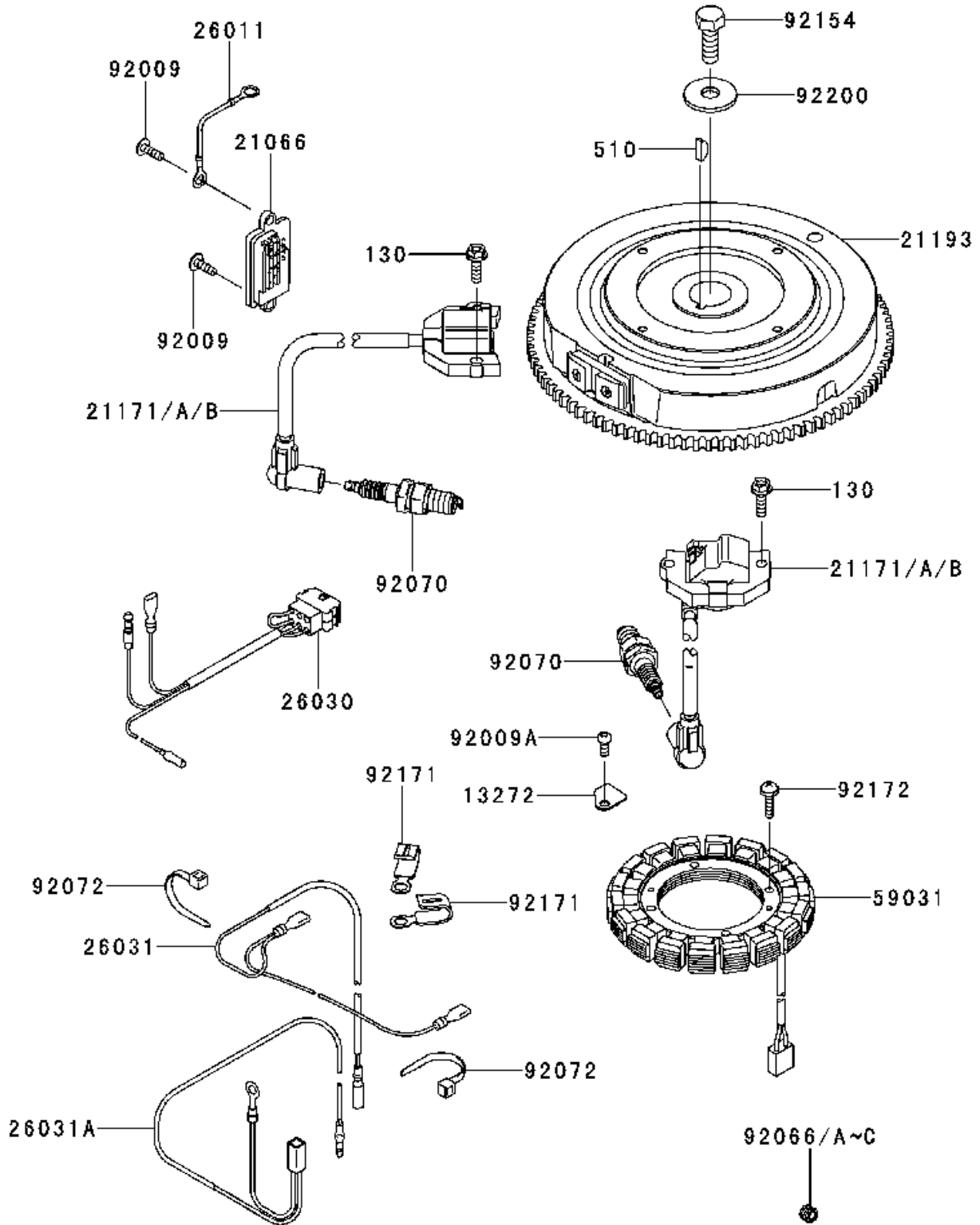


DECALS

KAWASAKI ENGINES, FR691V-DS15, 2017-09

Ref	Part No	Description	Remark	QTY KIT
56033	577 58 45-01	LABEL	LABEL-MANUAL	1
56071	586 59 43-01	LABEL	LABEL-WARNING	1
56080	591 45 75-16	LABEL	LABEL-BRAND	1

E0160-B518H

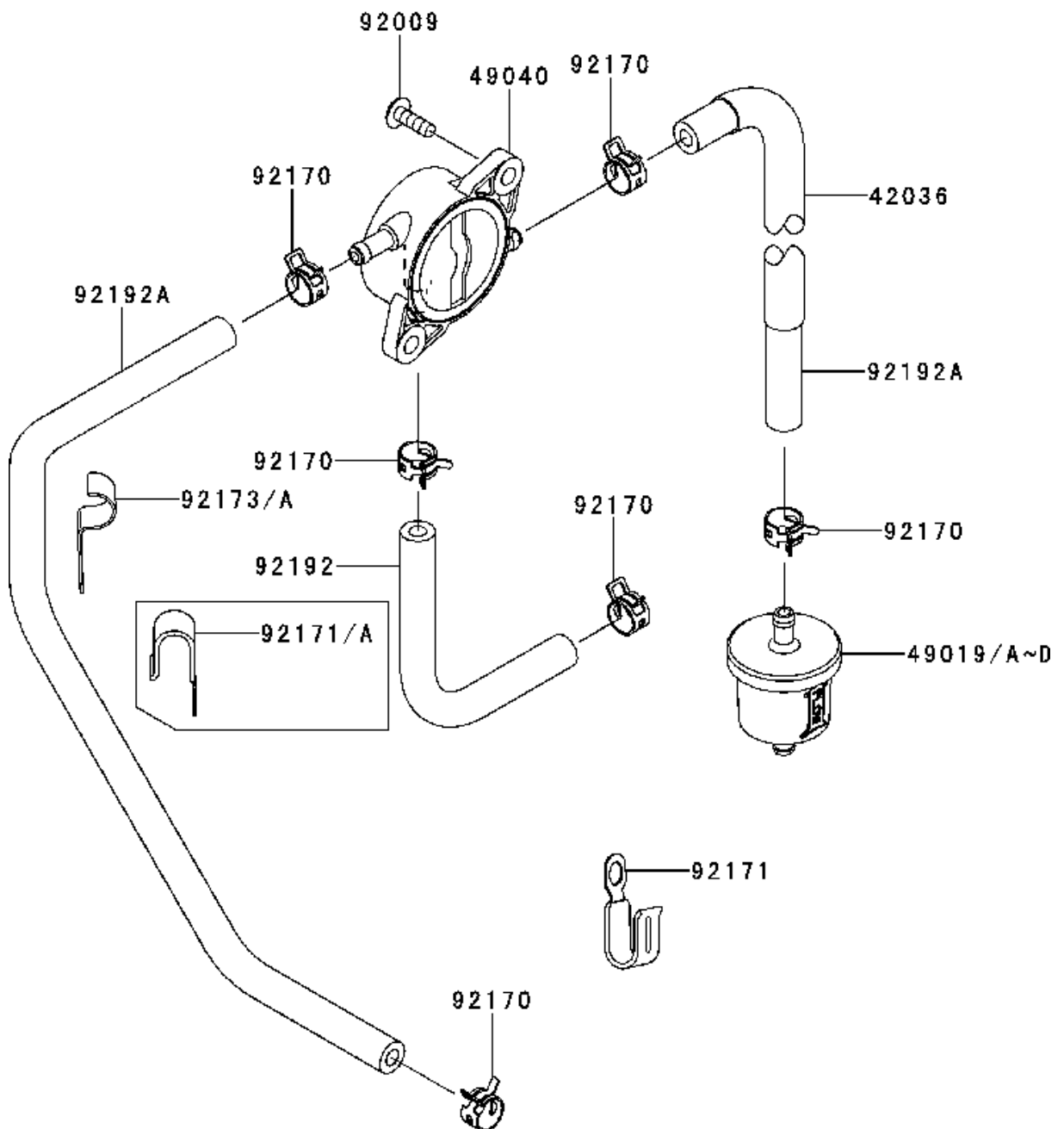


ELECTRICAL

KAWASAKI ENGINES, FR691V-DS15, 2017-09

Ref	Part No	Description	Remark	QTY KIT
130	577 58 28-01	BOLT	BOLT-FLANGED,6X20	4
13272	586 52 48-01	PLATE	PLATE	1
21066	586 59 41-01	REGULATOR	REGULATOR-VOLTAGE	1
21171	592 73 97-52	STARTER	KIT,STARTER-ELECTRIC	2
21193	586 62 31-01	FLYWHEEL	FLYWHEEL-ASSY	1
26011	586 62 32-01	WIRE	WIRE-LEAD,L=95	1
26030	591 45 74-87	HARNESS	HARNESS	1
26031	586 52 52-01	HARNESS	HARNESS	1
26031A	586 52 53-01	HARNESS	HARNESS	1
510	502 81 16-01	WOODRUFF KEY	WOODRUFF KEY	1
59031	577 57 02-01	COIL	COIL-CHARGING 15AMP	1
92009	586 52 54-01	SCREW	SCREW	2
92009A	920 09 23-08	SCREW	SCREW	1
92066	586 62 16-01	PLUG	PLUG	1
92070	578 18 15-01	SPARK PLUG	PLUG- SPARK,BPR4ES(NGK)	2
92072	577 57 04-01	BAND	BAND	2
92154	577 57 05-01	BOLT	BOLT,12X30	1
92171	586 52 59-01	CLAMP	CLAMP	2
92172	577 57 06-01	SCREW	SCREW,5X20	4
92200	922 00 70-02	WASHER	WASHER	1

E0200-A852A

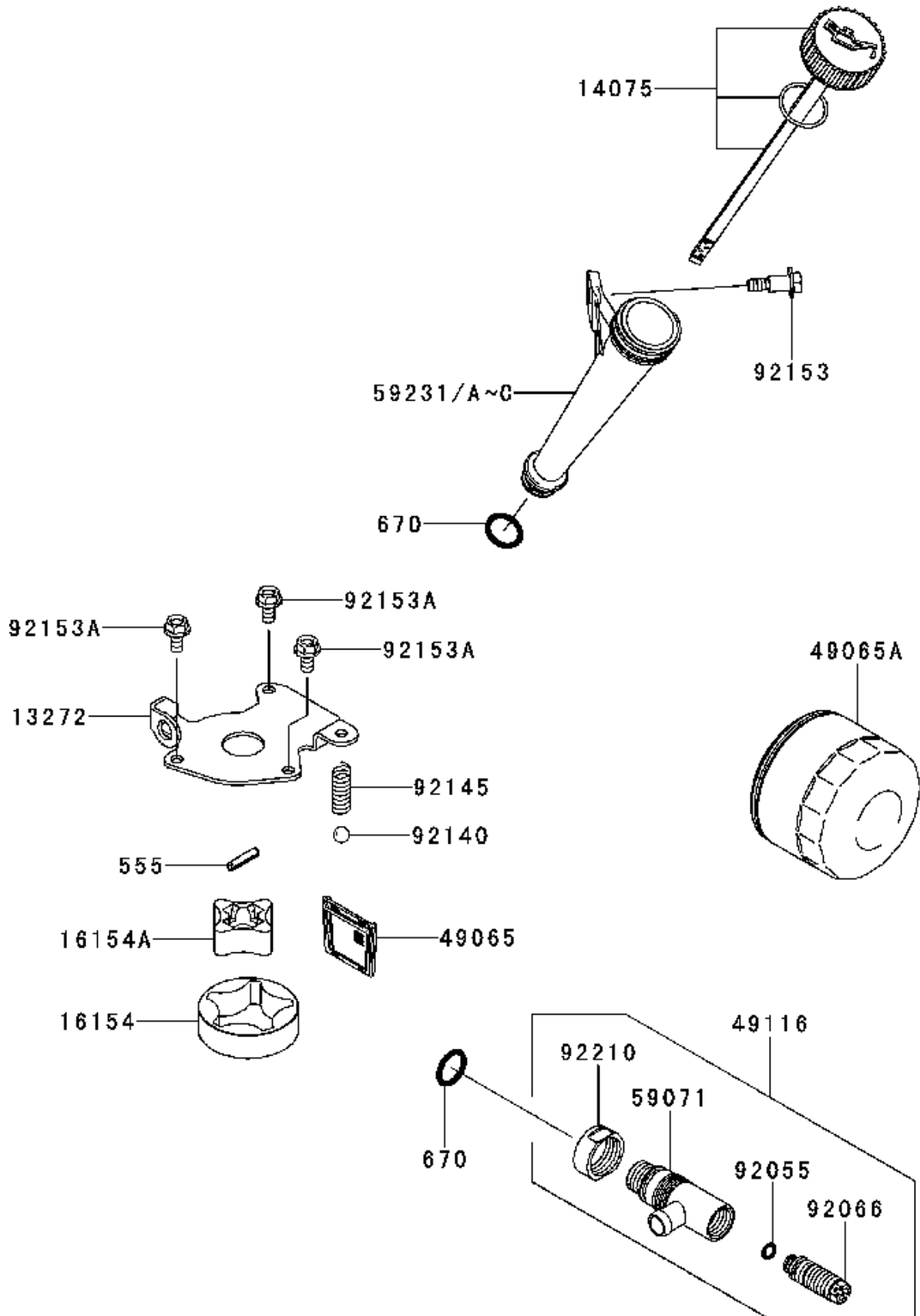


FUEL VALVE

KAWASAKI ENGINES, FR691V-DS15, 2017-09

Ref	Part No	Description	Remark	QTY KIT
42036	586 52 56-01	SLEEVE	SLEEVE	1
49019	582 54 12-01	FUEL FILTER	FILTER-FUEL	1
49040	586 52 57-01	PUMP	PUMP-FUEL	1
92009	586 52 54-01	SCREW	SCREW	2
92170	577 58 21-01	CLAMP	CLAMP	6
92171	586 52 59-01	CLAMP	CLAMP	1
92173	586 63 11-01	CLAMP	CLAMP	1
92192	586 52 60-01	TUBE	TUBE,6.4X12.7X150	1
92192A	591 45 76-22	TUBE	TUBE,6.35X12.7X390	2

E0140-A516F

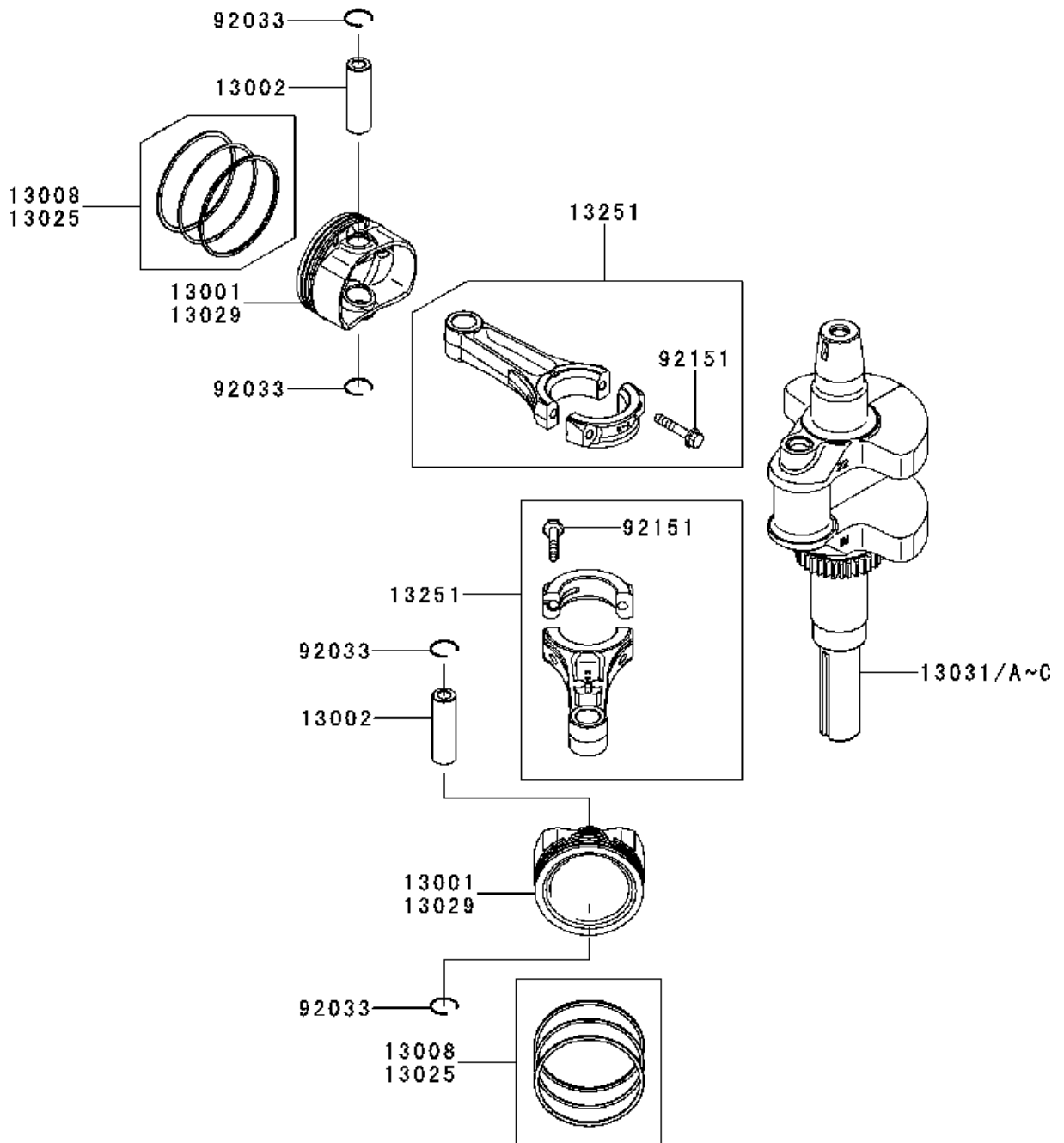


LUBRICATION

KAWASAKI ENGINES, FR691V-DS15, 2017-09

Ref	Part No	Description	Remark	QTY KIT
13272	586 52 63-01	PLATE	PLATE,ROTOR	1
14075	591 45 74-29	CAP	CAP-ASSY	1
16154	586 52 65-01	ROTOR	ROTOR-PUMP,OUTER	1
16154A	586 52 66-01	ROTOR	ROTOR-PUMP,INNER	1
49065	585 43 20-01	OIL SCREEN	FILTER-OIL	1
49065A	578 15 92-01	OIL FILTER	FILTER-OIL	1
49116	539 10 95-87	OIL DRAIN EXTENSION	VALVE-ASSY	1
555	586 59 45-01	PEN	PIN-SPRING,4X20	1
59071	590 71 70-08	JOINT	JOINT	1
59231	586 55 07-01	TUBE	FILLER	1
670	502 82 90-01	O-RING	O RING	2
92055	920 55 70-02	O-RING	RING-O	1
92066	920 66 70-07	PLUG	PLUG	1
92140	921 40 70-03	BALL	BALL	1
92145	921 45 70-02	SPRING	SPRING	1
92153	921 53 70-08	BOLT	BOLT	1
92153A	577 58 20-01	BOLT	BOLT,6X12	3
92210	922 10 70-12	NUT	NUT	1

E0120-A456B

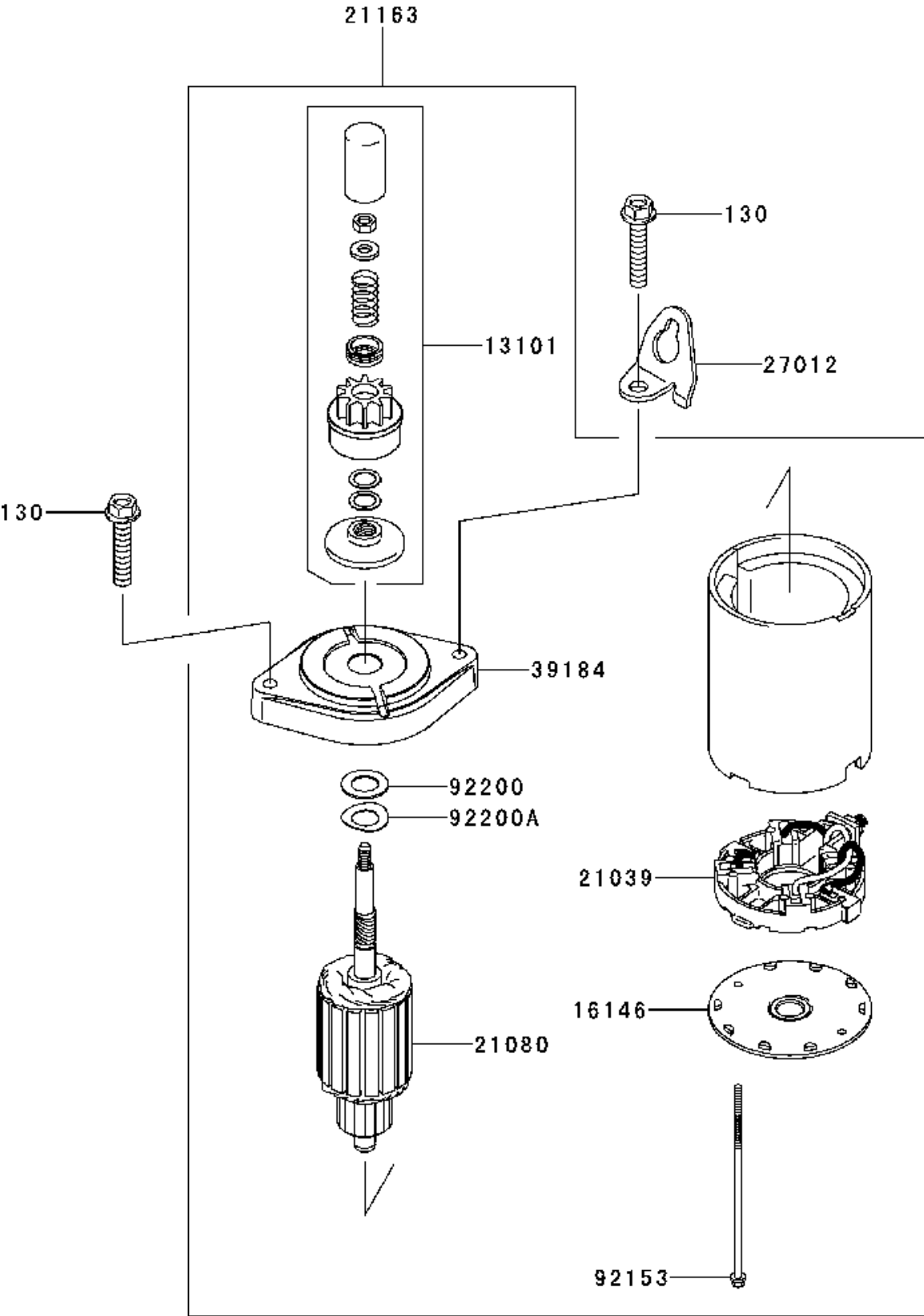


PISTON & CRANKSHAFT

KAWASAKI ENGINES, FR691V-DS15, 2017-09

Ref	Part No	Description	Remark	QTY KIT
13001	586 52 71-01	PISTON	PISTON-ENGINE	2
13002	586 52 72-01	PEN	PIN-PISTON	2
13008	586 52 73-01	RING	RING-SET-PISTON	2
13025	586 52 74-01	RING	RING-SET-PISTON L,0.5	
13029	586 52 75-01	PISTON	PISTON-ENGINE L,0.5	
13031	591 45 74-60	CRANKSHAFT	CRANKSHAFT-COMP	1
13251	591 45 75-72	ROD	ROD-ASSY-CONNECTING	2
92033	586 52 77-02	RING	RING-SNAP	4
92151	586 52 78-01	BOLT	BOLT,6X35	4

E0210-A623A

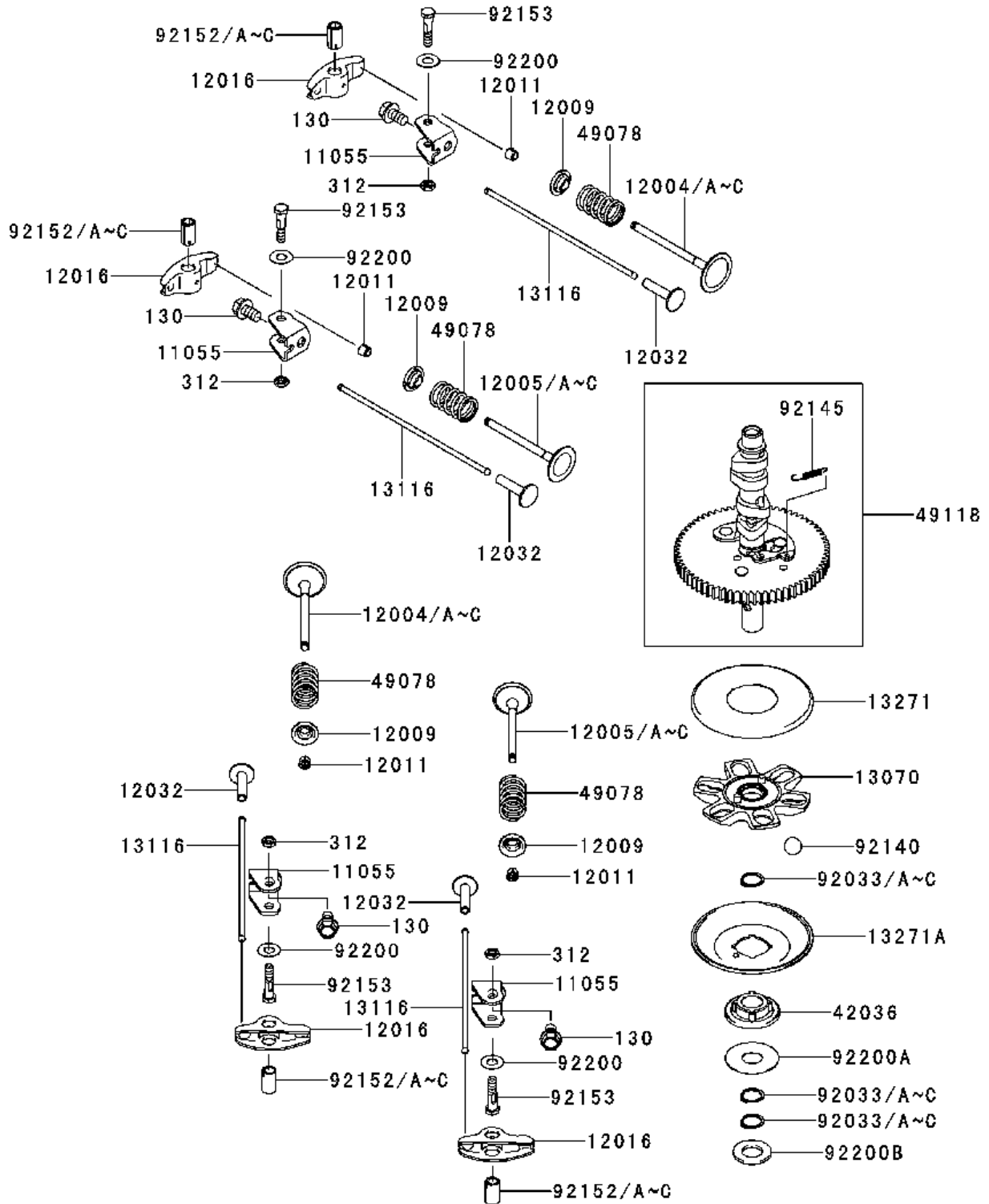


STARTER

KAWASAKI ENGINES, FR691V-DS15, 2017-09

Ref	Part No	Description	Remark	QTY KIT
130	586 60 30-01	BOLT	BOLT-FLANGED,8X40	2
13101	586 63 12-01	GEAR	GEAR-ASSY	1
16146	586 63 13-01	COVER	COVER-ASSY	1
21039	210 39 70-02	BRUSH	BRUSH	1
21080	586 63 14-01	ARMATURE	ARMATURE	1
21163	588 07 33-01	STARTER	STARTER-ELECTRIC	1
27012	577 56 12-01	HOOK	HOOK	1
39184	591 45 74-24	BRACKET	BRACKET-ASSY	1
92153	586 63 16-01	BOLT	BOLT	2
92200	586 63 17-01	WASHER	WASHER	1
92200A	586 63 18-01	WASHER	WASHER	1

E0130-A176T



VALVE & CAMSHAFT

KAWASAKI ENGINES, FR691V-DS15, 2017-09

Ref	Part No	Description	Remark	QTY KIT
11055	577 69 72-01	BRACKET	BRACKET	4
12004	591 45 76-29	VALVE	VALVE-INTAKE	2
12005	591 45 76-28	VALVE	VALVE-EXHAUST	2
12009	120 09 70-01	RETAINER	RETAINER-VALVE SPRING	4
12011	120 11 20-56	COLLET	COLLET	8
12016	591 45 74-05	ARM	ARM-ROCKER	4
12032	120 32 70-01	TAPPET	TAPPET	4
13070	586 52 83-01	GUIDE	GUIDE,GOVERNOR	1
130	577 69 77-01	BOLT	BOLT-FLANGED	4
13116	591 45 75-76	ROD	ROD-PUSH	4
13271	132 71 70-07	PLATE	PLATE	1
13271A	132 71 70-21	PLATE	PLATE	1
312	577 69 81-01	NUT	NUT-HEX	4
42036	586 52 85-01	SLEEVE	SLEEVE	1
49078	490 78 70-02	SPRING	SPRING-ENGINE VALVE	4
49118	586 52 86-01	CAMSHAFT	CAMSHAFT-COMP	1
92033	586 62 17-01	RING	RING-SNAP	3
92140	577 56 68-01	BALL	BALL	6
92145	591 45 76-11	SPRING	SPRING	1
92152	586 55 13-01	COLLAR	COLLAR	4
92153	577 69 87-01	BOLT	BOLT,6X29.5	4
92200	577 69 88-01	WASHER	WASHER,8.1X18X0.5	4
92200A	586 55 15-01	WASHER	WASHER,16X42X0.91	1
92200B	586 52 87-01	WASHER	WASHER,16.3X30X2.28	1