

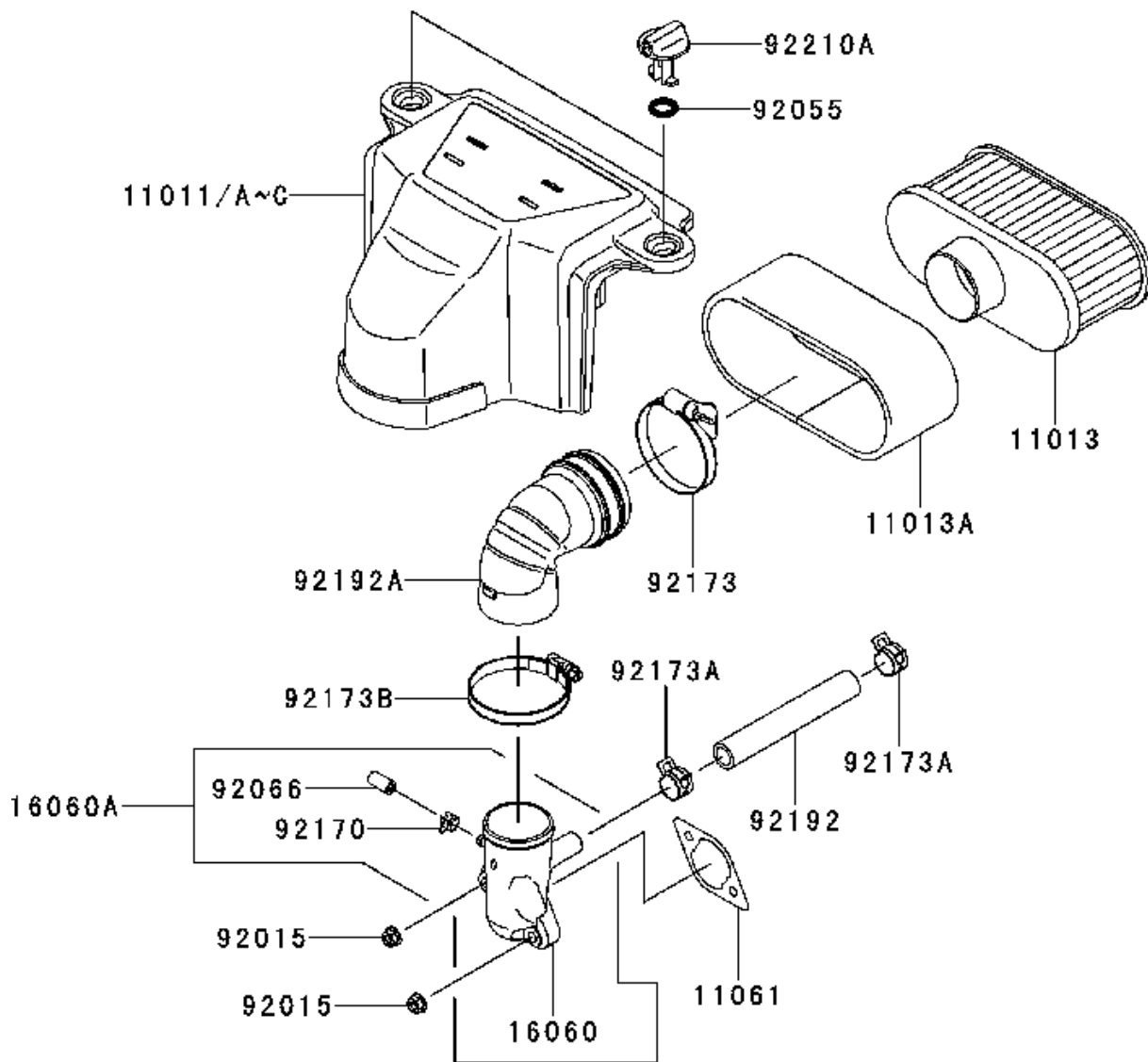


SPARE PARTS LIST

ENGINES & TRANSMISSIONS

KAWASAKI ENGINES, FS481V-BS55,
2017-09

E0190-B586A



PARTS SHIPPED LOOSE

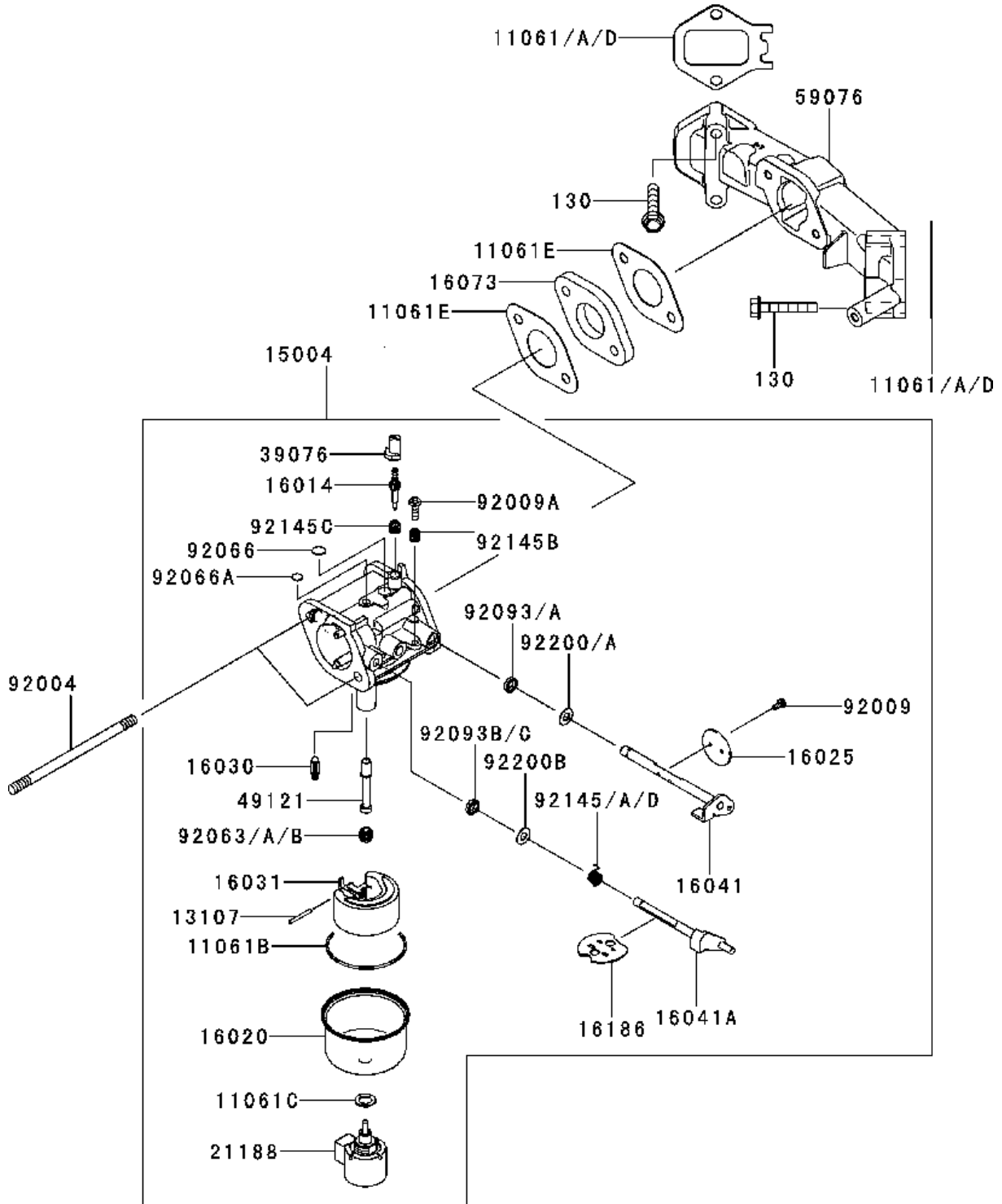
11060
461
92210

AIR FILTER & MUFFLER

KAWASAKI ENGINES, FS481V-BS55, 2017-09

| Ref | Part No | Description | Remark | QTY KIT |
|--------|--------------|-------------|--------------------|---------|
| 11011C | 591 45 74-36 | CASE | CASE-AIR FILTER | 1 |
| 11013 | 585 45 50-02 | AIR FILTER | ELEMENT-AIR FILTER | 1 |
| 11013A | 586 62 95-01 | AIR FILTER | ELEMENT-PRE FILTER | 1 |
| 11060 | 110 60 70-16 | GASKET | GASKET | 2 |
| 11061 | 591 45 74-79 | GASKET | GASKET,AIR CLEANER | 1 |
| 16060 | 591 45 75-43 | PIPE | PIPE-INTAKE | 1 |
| 16060A | 591 45 75-44 | PIPE | PIPE-INTAKE | 1 |
| 461 | 577 58 17-01 | WASHER | WASHER-SPRING,8MM | 4 |
| 92015 | 577 58 08-01 | NUT | NUT,FLANGED,6MM | 2 |
| 92055 | 591 45 75-59 | RING | RING-O | 2 |
| 92066 | 586 51 88-01 | PLUG | PLUG | 1 |
| 92170 | 586 51 89-01 | CLAMP | CLAMP | 1 |
| 92173 | 586 63 08-01 | CLAMP | CLAMP | 1 |
| 92173A | 577 58 10-01 | CLAMP | CLAMP | 2 |
| 92173B | 591 45 74-44 | CLAMP | CLAMP | 1 |
| 92192 | 586 51 90-01 | TUBE | TUBE,12.6X18.6X118 | 1 |
| 92192A | 591 45 76-23 | TUBE | TUBE,A/C | 1 |
| 92210 | 577 58 14-01 | NUT | NUT,M8 | 4 |
| 92210A | 591 45 75-33 | NUT | NUT | 2 |

E0180-B074A

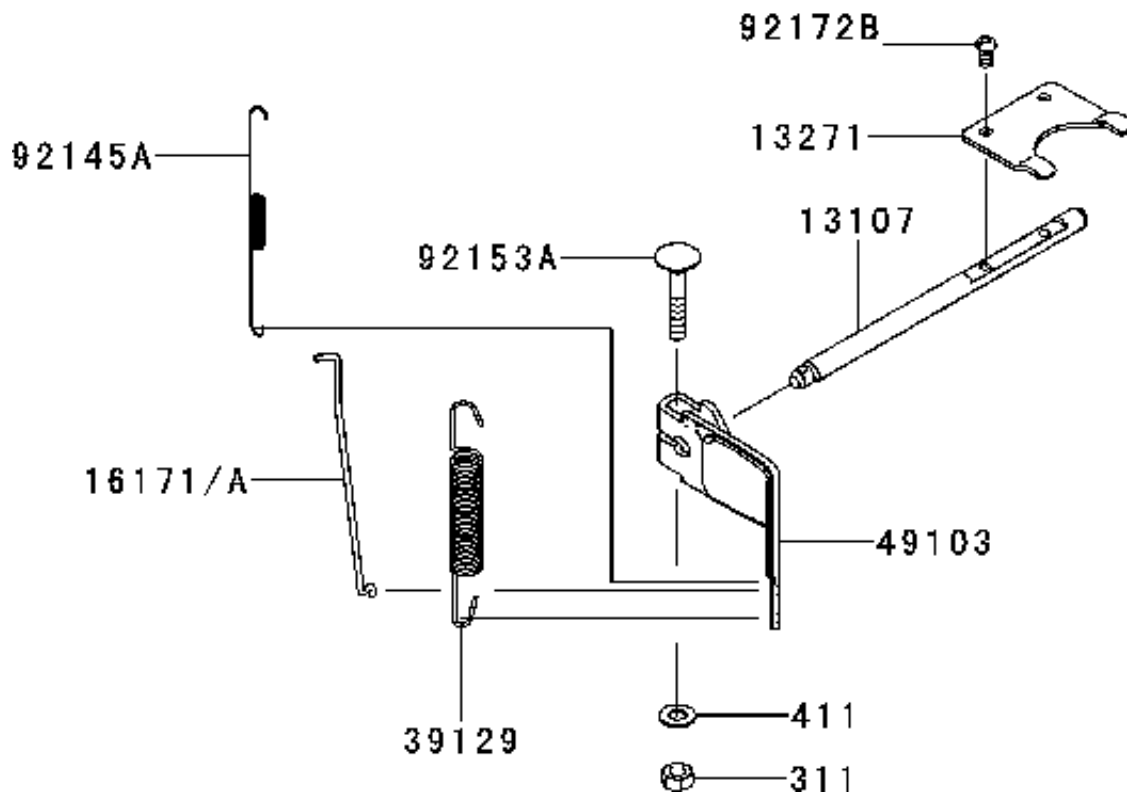
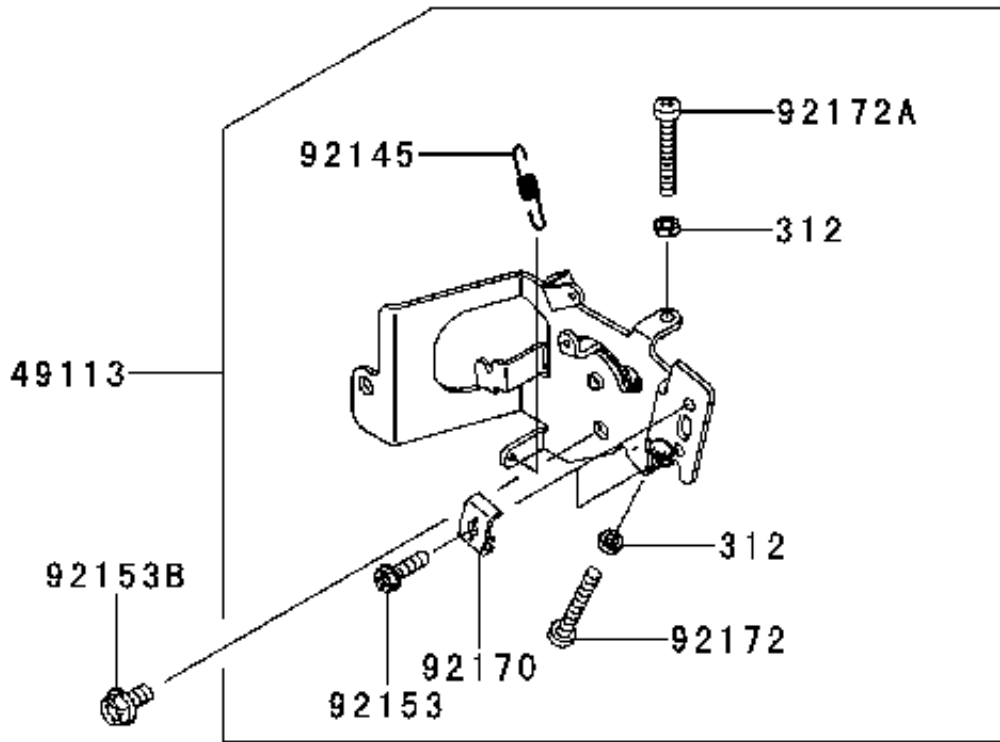


CARBURETOR

KAWASAKI ENGINES, FS481V-BS55, 2017-09

| Ref | Part No | Description | Remark | QTY KIT |
|-----------|--------------|----------------|-----------------------|---------|
| 11061 | 591 45 74-82 | GASKET | GASKET,MANIFOLD | 2 |
| 11061B | 110 61 70-09 | GASKET | GASKET,CHAMBER | 1 |
| 11061C | 110 61 70-10 | GASKET | GASKET | 1 |
| 11061E | 591 45 74-81 | GASKET | GASKET,INSULATOR | 2 |
| 130 | 577 57 94-01 | BOLT | BOLT-FLANGED | 4 |
| 13107 | 131 07 70-18 | PEN | SHAFT | 1 |
| 15004 | 591 45 74-30 | CARBURETTOR | CARBURETOR-ASSY | 1 |
| 16014 | 591 45 75-81 | SCREW | SCREW-PILOT AIR | 1 |
| 16020 | 160 20 70-03 | CHAMBER-FLOAT | CHAMBER-FLOAT | 1 |
| 16025 | 160 25 70-06 | THROTTLE VALVE | VALVE-THROTTLE | 1 |
| 16030 | 160 30 70-03 | VALVE-NEEDLE | VALVE-FLOAT | 1 |
| 16031 | 160 31 70-02 | FLOAT | FLOAT | 1 |
| 16041 | 160 41 70-18 | THROTTLE SHAFT | SHAFT-CARBURETOR,THRO | 1 |
| 16041A | 591 45 75-88 | SHAFT | SHAFT-CARBURETOR | 1 |
| 16073 | 160 73 70-07 | INSULATOR | INSULATOR | 1 |
| 16186 | 591 45 76-26 | VALVE | VALVE-ASSY-CHOKE | 1 |
| 21188 | 211 88 70-02 | SOLENOID | SOLENOID | 1 |
| 39076 | 591 45 75-20 | SOCKET | LIMITER | 1 |
| 49121 | 591 45 75-31 | NOZZLE | NOZZLE-MAIN | 1 |
| 59076 | 591 45 75-28 | MANIFOLD | MANIFOLD-INTAKE | 1 |
| 92004 | 591 45 76-17 | STUD | STUD | 2 |
| 92009 | 920 09 20-83 | SCREW | SCREW | 2 |
| 92009A | 586 62 94-01 | SCREW | SCREW | 1 |
| 92063 | 591 45 75-05 | JET | JET-MAIN,#100 | |
| 92063A | 591 45 75-04 | JET | JET-MAIN,#098 | |
| 92063B | 591 45 75-06 | JET | JET-MAIN,#102 | 1 |
| 92066 | 591 45 75-55 | PLUG | PLUG | 1 |
| 92066A | 591 45 75-56 | PLUG | PLUG | 1 |
| 92093 | 586 63 00-01 | SEAL | SEAL | 1 |
| 92093B | 591 45 75-82 | SEAL | SEAL | 1 |
| 92145 | 591 45 76-08 | SPRING | SPRING | 1 |
| 92145B | 591 45 76-09 | SPRING | SPRING | 1 |
| 92145C | 921 45 70-15 | SPRING | SPRING | 1 |
| 92200 | 586 63 03-01 | WASHER | WASHER | 1 |
| 92200B | 591 45 76-34 | WASHER | WASHER,9.8X5.5X1.0 | 1 |
| Not shown | 591 45 74-74 | GASKET KIT | CARB GASKET KIT | 1 |

E0170--A826A

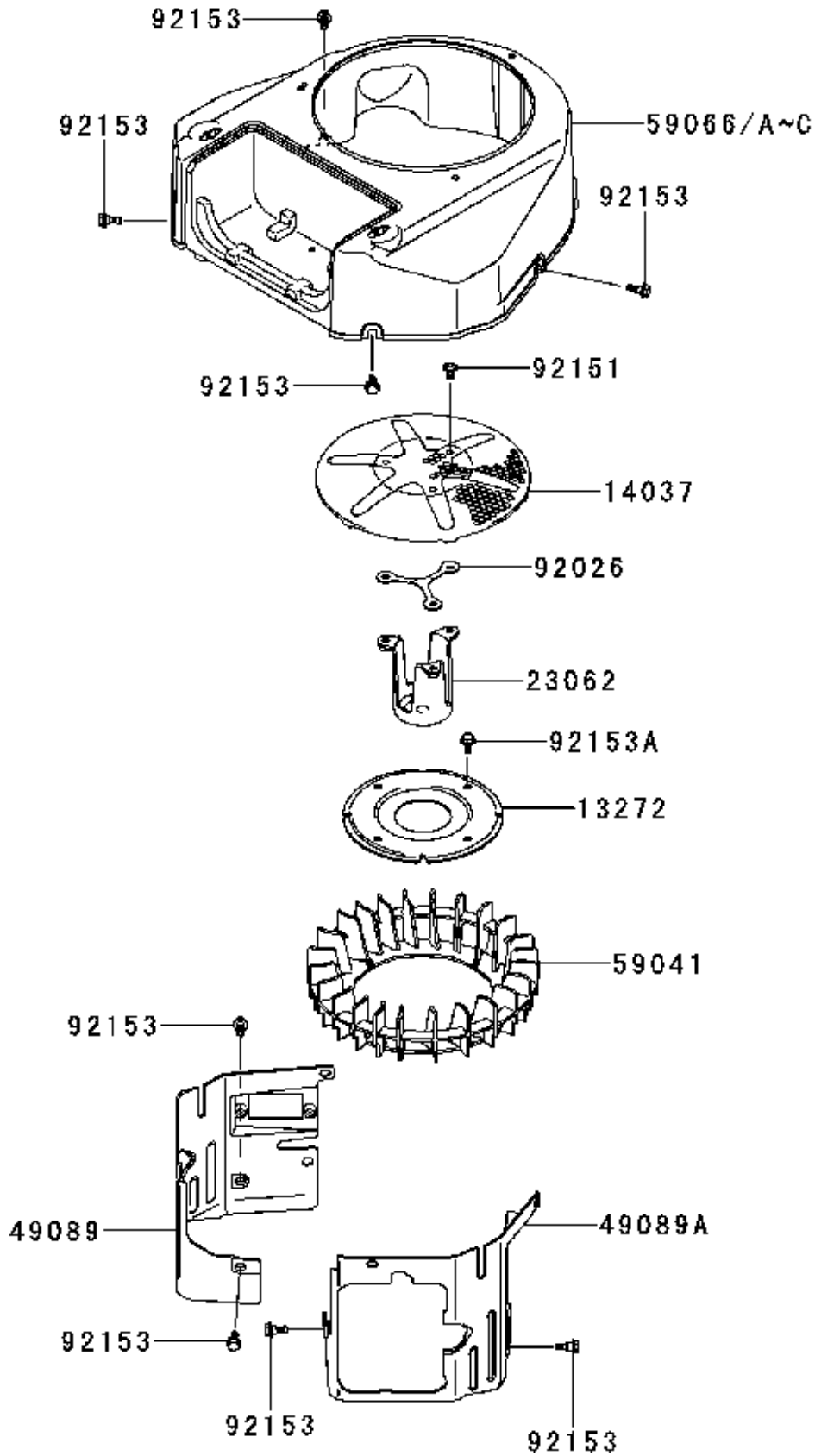


CONTROLS

KAWASAKI ENGINES, FS481V-BS55, 2017-09

| Ref | Part No | Description | Remark | QTY KIT |
|--------|--------------|-------------|---------------------------|---------|
| 13107 | 591 45 75-85 | SHAFT | SHAFT | 1 |
| 13271 | 577 57 12-01 | PLATE | PLATE | 1 |
| 16171 | 591 45 75-23 | LINK | LINK | 1 |
| 311 | 591 45 75-35 | NUT | NUT-HEX | 1 |
| 312 | 577 57 63-01 | NUT | NUT-HEX | 2 |
| 39129 | 591 45 76-15 | SPRING | SPRING-GOVERNOR | 1 |
| 411 | 577 57 64-01 | WASHER | WASHER- PLAIN,6.5X13X1 | 1 |
| 49103 | 591 45 74-04 | ARM | ARM-GOVERNOR | 1 |
| 49113 | 592 73 97-38 | PANEL | PANEL-COMP-CONTROL | 1 |
| 92145 | 592 73 97-46 | SPRING | SPRING | 1 |
| 92145A | 586 52 27-01 | SPRING | SPRING | 1 |
| 92153 | 921 53 70-01 | BOLT | BOLT,SOCKET,5X16 | 2 |
| 92153A | 577 68 26-01 | BOLT | BOLT,6X35 | 1 |
| 92153B | 577 58 20-01 | BOLT | BOLT,6X12 | 1 |
| 92170 | 921 70 70-01 | CLAMP | CLAMP | 2 |
| 92172 | 591 45 75-80 | SCREW | SCREW,5X35 | 1 |
| 92172A | 586 59 34-01 | SCREW | SCREW | 1 |
| 92172B | 591 45 75-79 | SCREW | SCREW,4X8 | 2 |

E0150-B256A

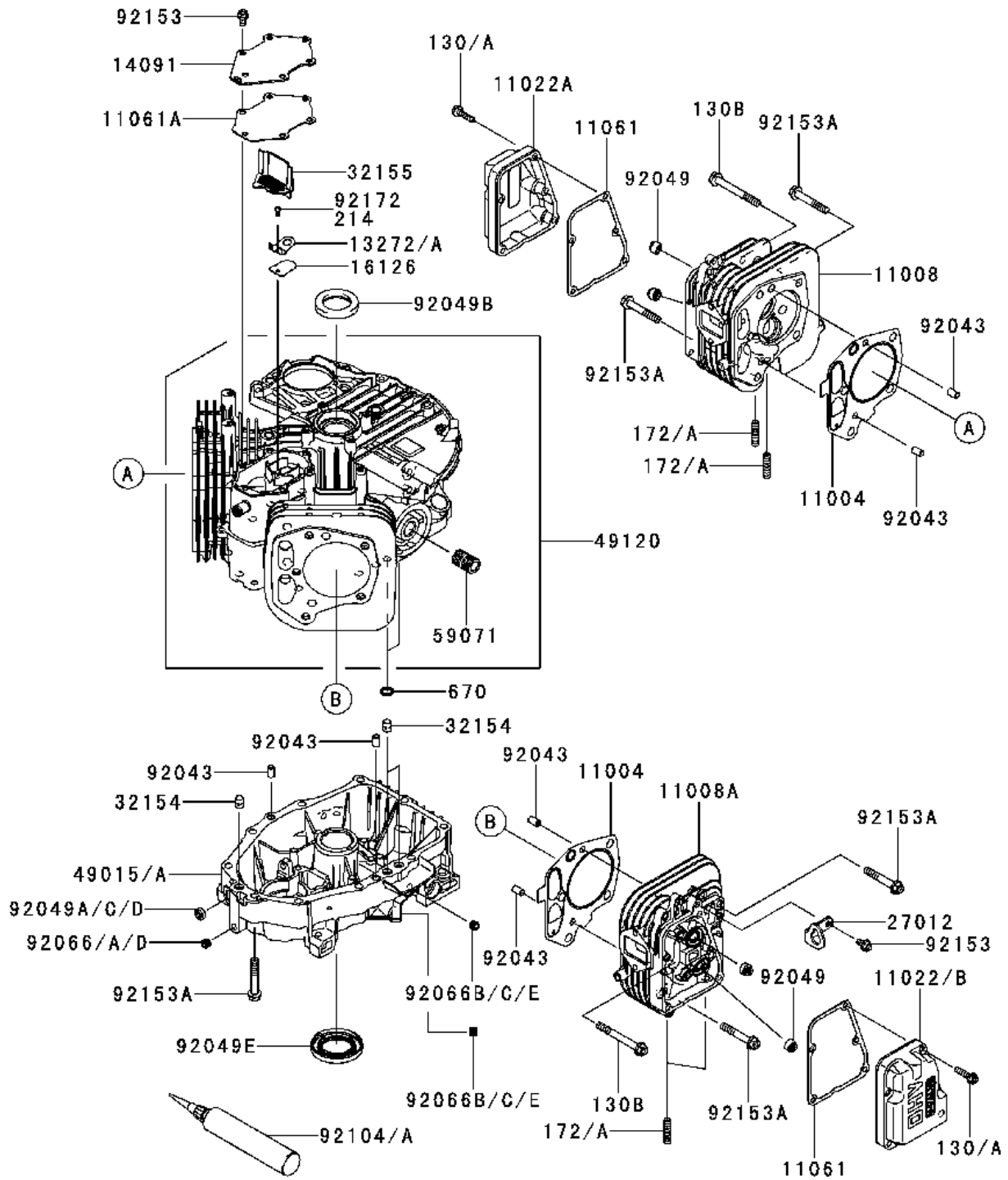


COOLING SYSTEM

KAWASAKI ENGINES, FS481V-BS55, 2017-09

| Ref | Part No | Description | Remark | QTY KIT |
|--------|--------------|-------------|---------------------|---------|
| 13272 | 591 45 75-52 | PLATE | PLATE | 1 |
| 14037 | 586 59 35-01 | SCREEN | SCREEN | 1 |
| 23062 | 586 52 30-01 | BRACKET | BRACKET-COMP | 1 |
| 49089 | 591 45 75-99 | SHROUD | SHROUD-ENGINE | 1 |
| 49089A | 591 45 76-01 | SHROUD | SHROUD-ENGINE | 1 |
| 59041 | 591 45 74-63 | FAN | FAN | 1 |
| 59066C | 591 45 74-99 | HOUSING | HOUSING-FAN | 1 |
| 92026 | 586 62 28-01 | SPACER | SPACER | 1 |
| 92151 | 577 68 36-01 | BOLT | BOLT,6X12 | 3 |
| 92153 | 921 53 70-07 | BOLT | BOLT,RECOIL STARTER | 8 |
| 92153A | 577 58 20-01 | BOLT | BOLT,6X12 | 4 |

E0110-A918A



CYLINDER & CRANKCASE

KAWASAKI ENGINES, FS481V-BS55, 2017-09

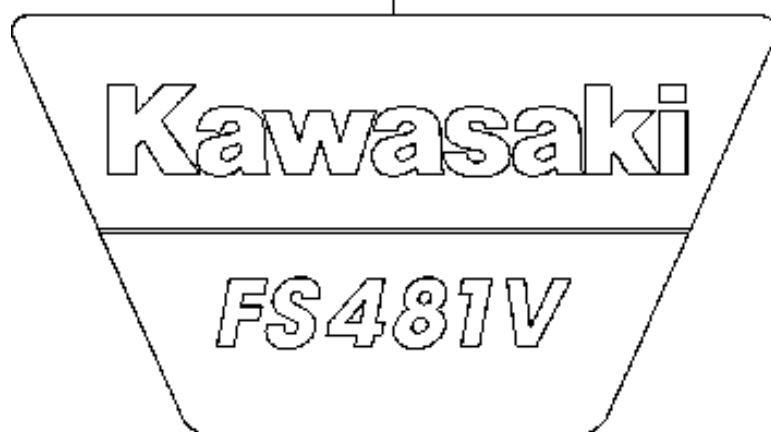
| Ref | Part No | Description | Remark | QTY KIT |
|-----------|--------------|------------------|-----------------------|---------|
| 11004 | 591 45 74-83 | GASKET | GASKET-HEAD | 2 |
| 11008 | 591 45 74-90 | HEAD | HEAD-COMP-CYLINDER,#1 | 1 |
| 11008A | 591 45 74-93 | HEAD | HEAD-COMP-CYLINDER,#2 | 1 |
| 11022 | 592 73 97-05 | CASE | CASE-ROCKER,#2CYL | 1 |
| 11022A | 592 73 97-04 | CASE | CASE-ROCKER,#1CYL | 1 |
| 11061 | 586 52 36-01 | GASKET | GASKET,CASE-ROCKER | 2 |
| 11061A | 586 52 39-01 | GASKET | GASKET,BREATHER | 1 |
| 130A | 591 45 74-17 | BOLT | BOLT-FLANGED,6X25 | 10 |
| 130B | 591 45 74-21 | BOLT | BOLT-FLANGED,8X70 | 6 |
| 13272 | 586 59 38-01 | PLATE | PLATE | 1 |
| 14091 | 586 52 41-01 | COVER | COVER,BREATHER | 1 |
| 16126 | 577 69 28-01 | VALVE | VALVE,BREATHER | 1 |
| 172A | 591 45 74-22 | BOLT | BOLT-STUD,8X22 | 4 |
| 27012 | 591 45 74-94 | HOOK | HOOK,LIFT | 1 |
| 32154 | 591 45 75-38 | PIN | PIN | 3 |
| 32155 | 592 73 97-27 | PIPE | PIPE,BREATHER | 1 |
| 49015 | 592 73 97-29 | COVER | COVER-CRANKCASE | 1 |
| 49120 | 592 73 97-41 | CRANKCASE | CRANKCASE-COMP | 1 |
| 59071 | 591 45 75-10 | JOINT | JOINT | 1 |
| 670 | 577 69 33-01 | O-RING | O RING | 2 |
| 92043 | 586 52 44-01 | PEN | PIN,DOWEL,6.2X8X14 | 6 |
| 92049 | 920 49 70-01 | SEAL-OIL | SEAL-OIL | 4 |
| 92049B | 920 49 70-10 | SEAL-OIL | SEAL-OIL,SD 35X48X8 R | 1 |
| 92049C | 586 44 16-01 | SEAL | SEAL-OIL,SO 8X14X5 HS | 1 |
| 92049E | 586 52 45-01 | SEAL | SEAL-OIL,38X62X8MTCLV | 1 |
| 92066 | 591 45 75-53 | PLUG | PLUG | 1 |
| 92066B | 586 62 16-01 | PLUG | PLUG | 2 |
| 92104 | 586 59 40-01 | GASKET | GASKET-LIQUID,TB1217H | |
| 92153 | 577 58 20-01 | BOLT | BOLT,6X12 | 7 |
| 92153A | 586 52 47-01 | BOLT | BOLT,8X50 | 14 |
| 92172 | 591 45 75-79 | SCREW | SCREW,4X8 | 1 |
| Not shown | 591 45 75-95 | SHORT BLOCK ASSY | ENGINE,SHORT BLOCK | 1 |

F0290-B854B

56071/A



56080

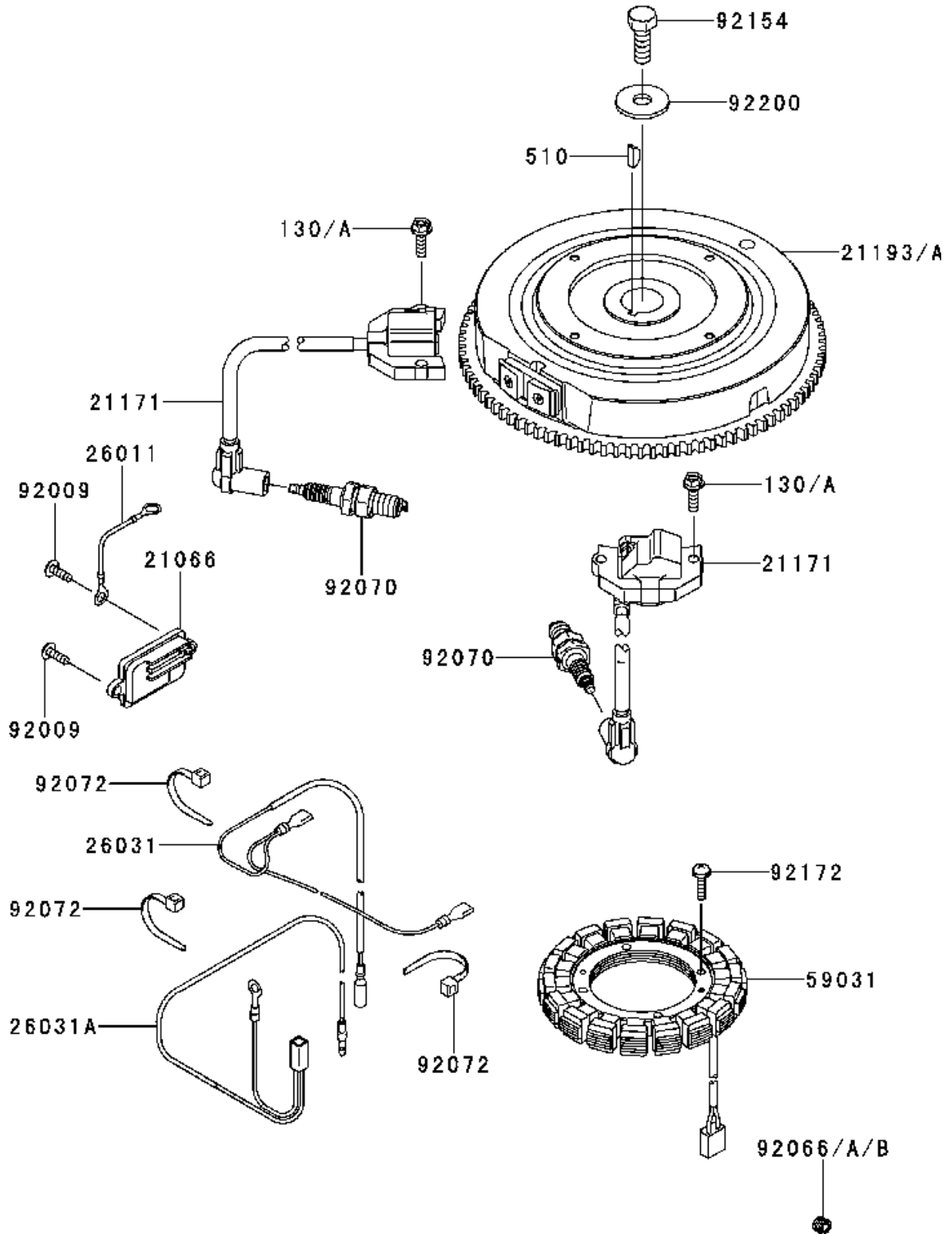


DECALS

KAWASAKI ENGINES, FS481V-BS55, 2017-09

| Ref | Part No | Description | Remark | QTY KIT |
|-------|--------------|-------------|---------------|---------|
| 56071 | 591 45 75-18 | LABEL | LABEL-WARNING | 1 |
| 56080 | 591 45 75-13 | LABEL | LABEL-BRAND | 1 |

E0160-B795A

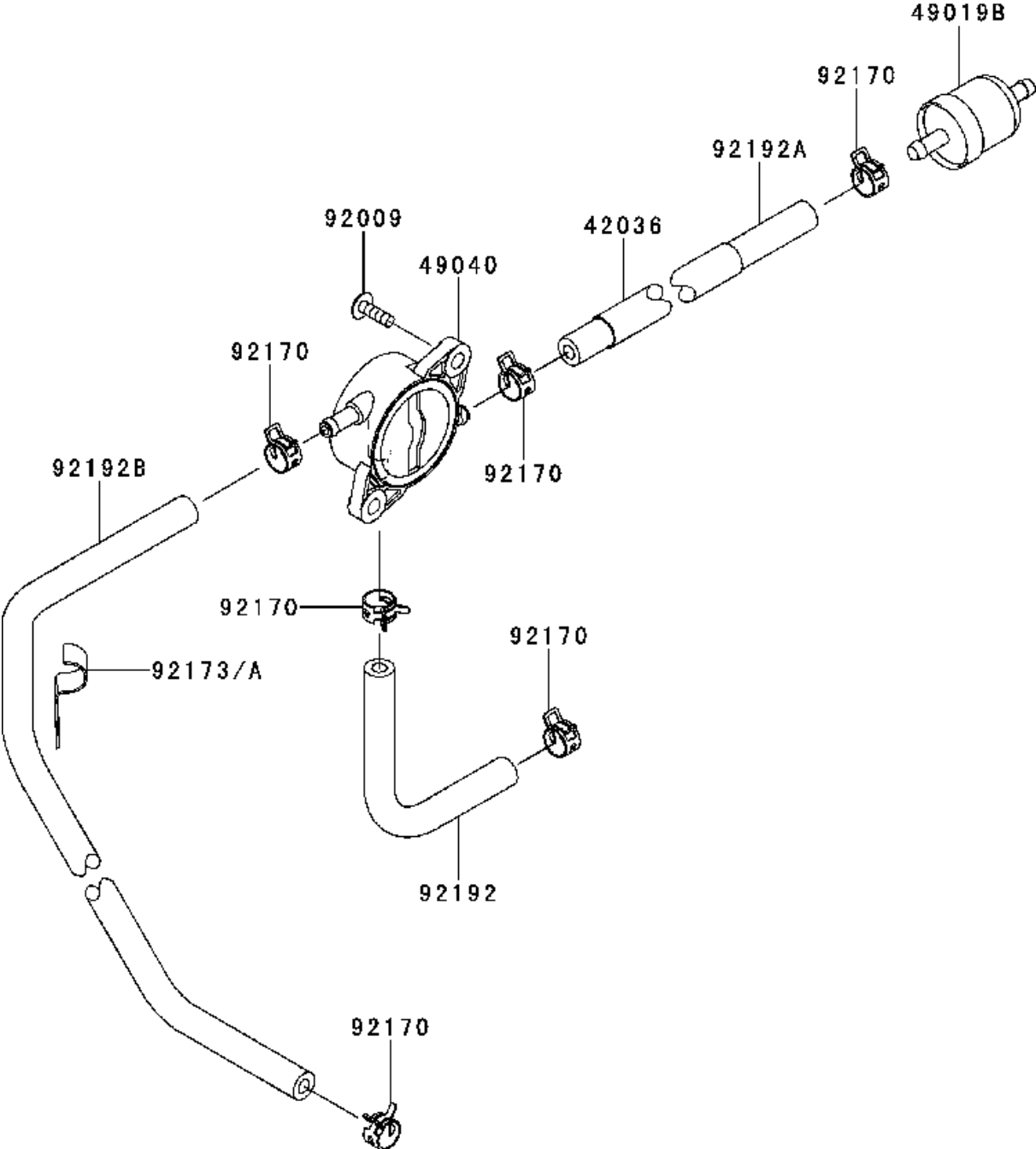


ELECTRICAL

KAWASAKI ENGINES, FS481V-BS55, 2017-09

| Ref | Part No | Description | Remark | QTY KIT |
|--------|--------------|--------------|----------------------------|---------|
| 130A | 591 45 74-16 | BOLT | BOLT-FLANGED,6X20 | 4 |
| 21066 | 586 59 41-01 | REGULATOR | REGULATOR-VOLTAGE | 1 |
| 21171 | 592 73 97-52 | STARTER | KIT,STARTER-ELECTRIC | 2 |
| 21193 | 591 45 74-67 | FLYWHEEL | FLYWHEEL-ASSY | 1 |
| 26011 | 586 62 32-01 | WIRE | WIRE-LEAD,L=95 | 1 |
| 26031 | 586 52 52-01 | HARNESS | HARNESS | 1 |
| 26031A | 591 45 74-88 | HARNESS | HARNESS | 1 |
| 510 | 502 81 16-01 | WOODRUFF KEY | WOODRUFF KEY | 1 |
| 59031 | 577 57 02-01 | COIL | COIL-CHARGING 15AMP | 1 |
| 92009 | 586 52 54-01 | SCREW | SCREW | 2 |
| 92066 | 586 62 16-01 | PLUG | PLUG | 1 |
| 92070 | 578 18 15-01 | SPARK PLUG | PLUG- SPARK,BPR4ES(NGK) | 2 |
| 92072 | 577 57 04-01 | BAND | BAND | 3 |
| 92154 | 577 57 05-01 | BOLT | BOLT,12X30 | 1 |
| 92172 | 577 57 06-01 | SCREW | SCREW,5X20 | 4 |
| 92200 | 922 00 70-02 | WASHER | WASHER | 1 |

E0200-A863B

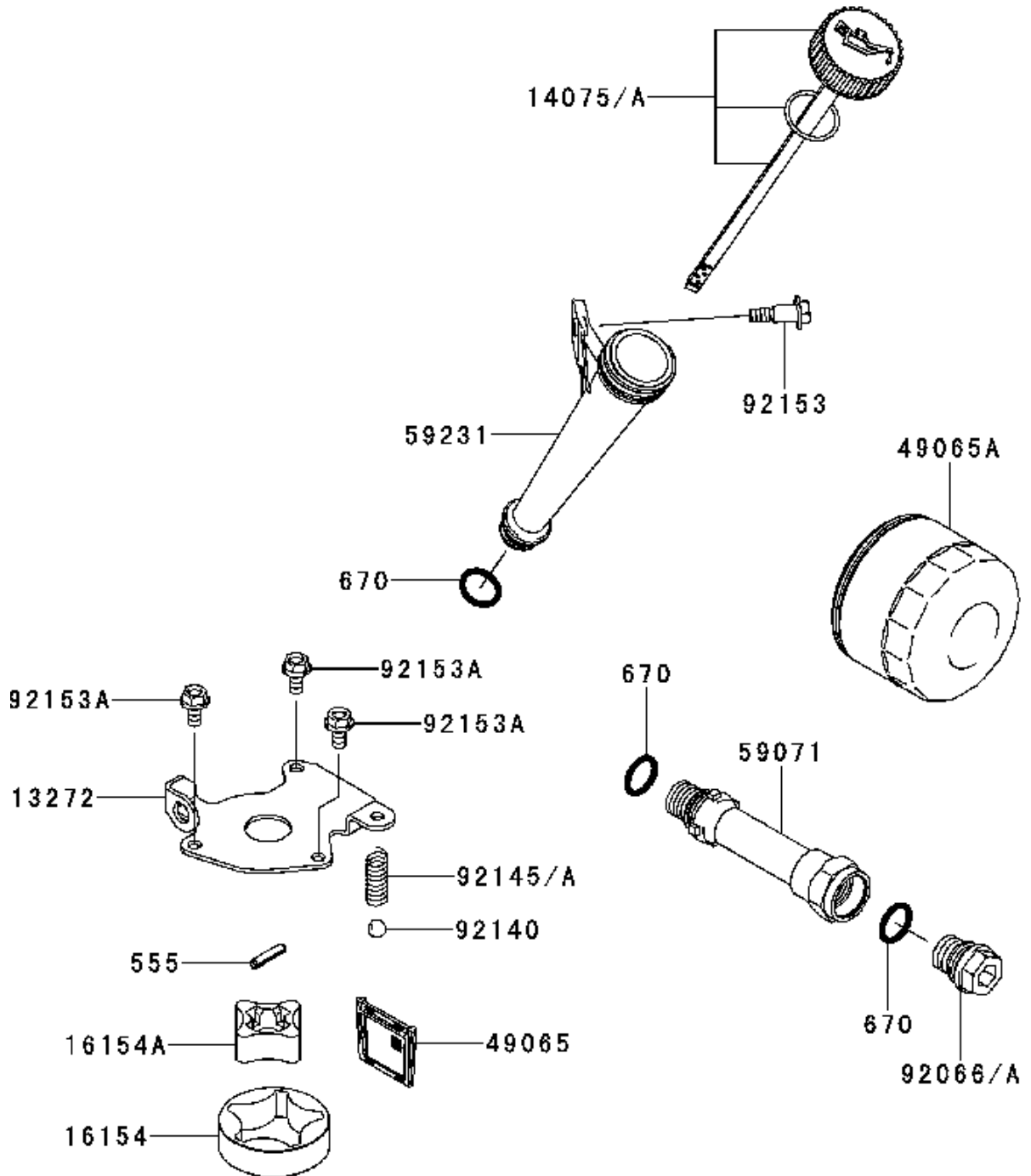


FUEL VALVE

KAWASAKI ENGINES, FS481V-BS55, 2017-09

| Ref | Part No | Description | Remark | QTY KIT |
|--------|--------------|-------------|--------------------|---------|
| 42036 | 586 52 56-01 | SLEEVE | SLEEVE | 1 |
| 49019B | 582 54 12-01 | FUEL FILTER | FILTER-FUEL | 1 |
| 49040 | 586 52 57-01 | PUMP | PUMP-FUEL | 1 |
| 92009 | 586 52 54-01 | SCREW | SCREW | 2 |
| 92170 | 577 58 21-01 | CLAMP | CLAMP | 6 |
| 92173 | 586 63 11-01 | CLAMP | CLAMP | 1 |
| 92192 | 586 52 60-01 | TUBE | TUBE,6.4X12.7X150 | 1 |
| 92192A | 591 45 76-20 | TUBE | TUBE,6.35X12.7X185 | 1 |
| 92192B | 592 73 97-49 | TUBE | TUBE,6.35X12.7X375 | 1 |

E0140-A580A

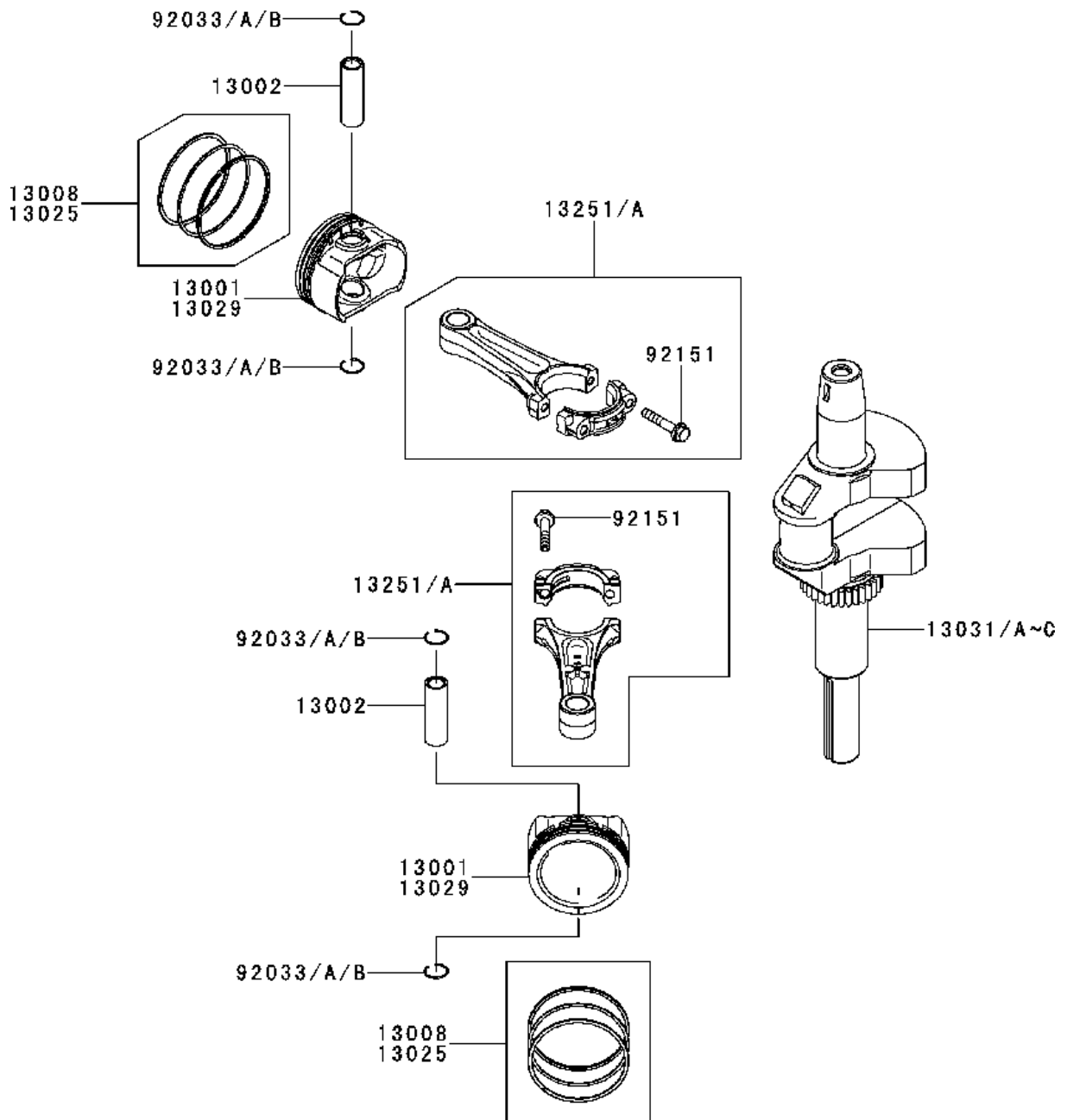


LUBRICATION

KAWASAKI ENGINES, FS481V-BS55, 2017-09

| Ref | Part No | Description | Remark | QTY KIT |
|--------|--------------|-------------|------------------|---------|
| 13272 | 586 52 63-01 | PLATE | PLATE,ROTOR | 1 |
| 14075 | 591 45 74-29 | CAP | CAP-ASSY | 1 |
| 16154 | 586 52 65-01 | ROTOR | ROTOR-PUMP,OUTER | 1 |
| 16154A | 586 52 66-01 | ROTOR | ROTOR-PUMP,INNER | 1 |
| 49065 | 585 43 20-01 | OIL SCREEN | FILTER-OIL | 1 |
| 49065A | 578 15 92-01 | OIL FILTER | FILTER-OIL | 1 |
| 555 | 586 59 45-01 | PEN | PIN-SPRING,4X20 | 1 |
| 59071 | 575 92 77-01 | JOINT | JOINT | 1 |
| 59231 | 586 55 07-01 | TUBE | FILLER | 1 |
| 670 | 502 82 90-01 | O-RING | O RING | 3 |
| 92066 | 591 45 75-54 | PLUG | PLUG | 1 |
| 92140 | 921 40 70-03 | BALL | BALL | 1 |
| 92145 | 591 45 76-12 | SPRING | SPRING | 1 |
| 92153 | 921 53 70-08 | BOLT | BOLT | 1 |
| 92153A | 577 58 20-01 | BOLT | BOLT,6X12 | 3 |

E0120-A532A

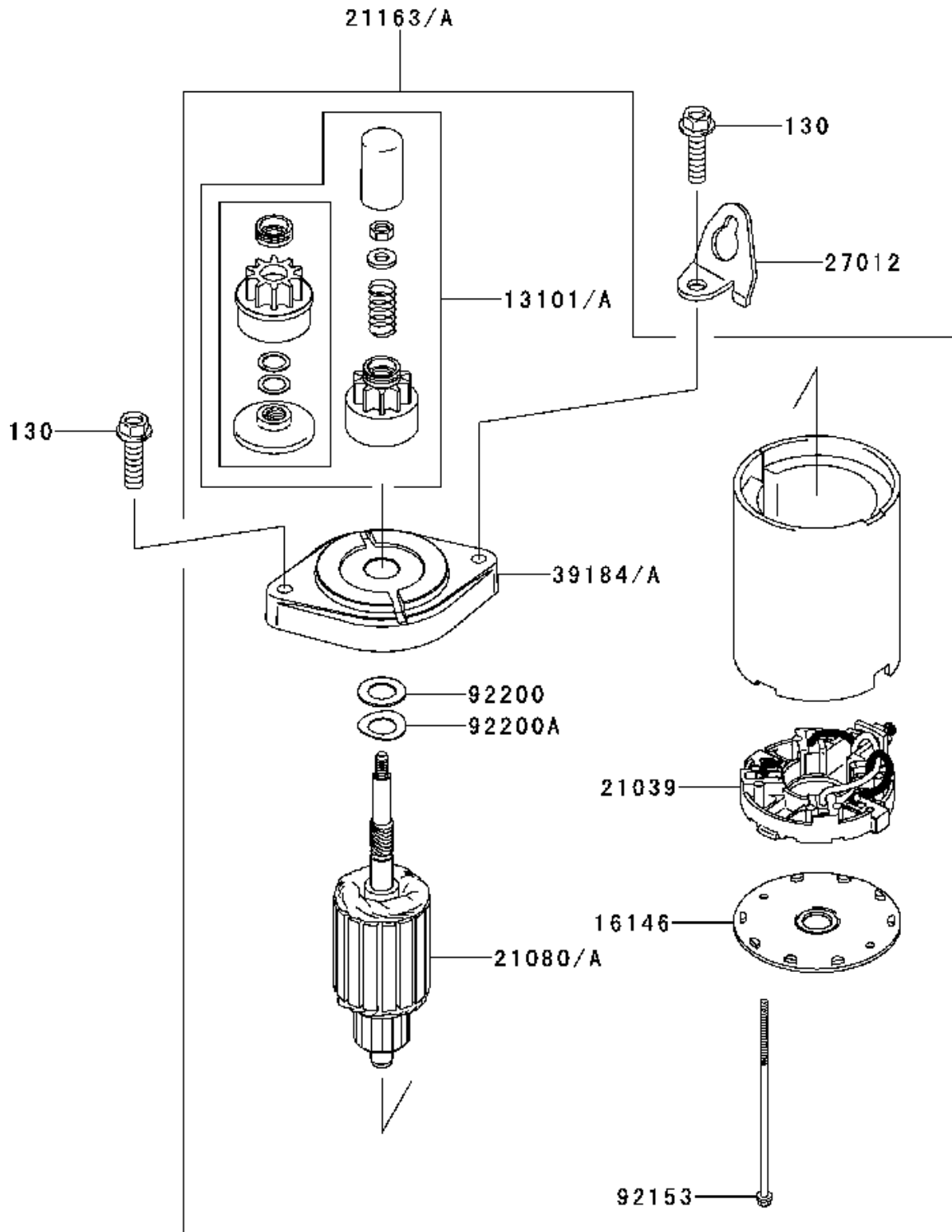


PISTON & CRANKSHAFT

KAWASAKI ENGINES, FS481V-BS55, 2017-09

| Ref | Part No | Description | Remark | QTY KIT |
|--------|--------------|-------------|-----------------------|---------|
| 13001 | 591 45 75-46 | PISTON | PISTON-ENGINE | 2 |
| 13002 | 130 02 70-01 | PIN-PISTON | PIN-PISTON | 2 |
| 13008 | 591 45 75-61 | RING | RING-SET-PISTON | 2 |
| 13025 | 591 45 75-63 | RING | RING-SET-PISTON L,0.5 | |
| 13029 | 591 45 75-48 | PISTON | PISTON-ENGINE L,0.50 | |
| 13031B | 591 45 74-59 | CRANKSHAFT | CRANKSHAFT-COMP | 1 |
| 13251 | 591 45 75-71 | ROD | ROD-ASSY-CONNECTING | 2 |
| 92033 | 591 45 75-66 | RING | RING-SNAP | 4 |
| 92151 | 586 52 78-01 | BOLT | BOLT,6X35 | 4 |

E0210-A714A

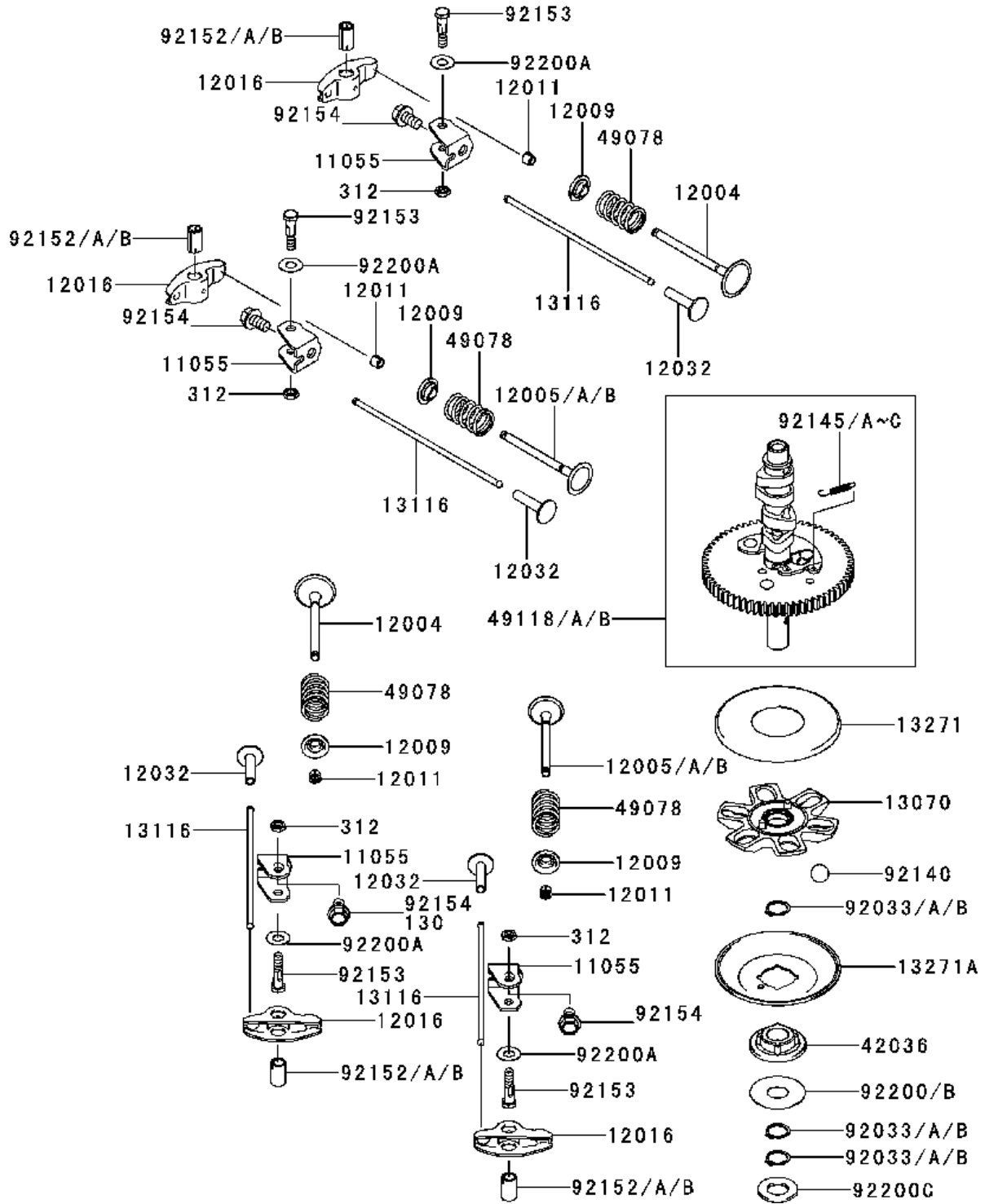


STARTER

KAWASAKI ENGINES, FS481V-BS55, 2017-09

| Ref | Part No | Description | Remark | QTY KIT |
|--------|--------------|-------------|-------------------|---------|
| 130 | 591 45 74-20 | BOLT | BOLT-FLANGED,8X30 | 2 |
| 13101 | 591 45 74-84 | GEAR | GEAR-ASSY | 1 |
| 13101A | 586 63 12-01 | GEAR | GEAR-ASSY | 1 |
| 16146 | 586 63 13-01 | COVER | COVER-ASSY | 1 |
| 21039 | 210 39 70-02 | BRUSH | BRUSH | 1 |
| 21080 | 586 63 14-01 | ARMATURE | ARMATURE | 1 |
| 21080A | 591 45 74-03 | ARMATURE | ARMATURE | 1 |
| 21163 | 588 07 33-01 | STARTER | STARTER-ELECTRIC | 1 |
| 21163A | 588 07 33-01 | STARTER | STARTER-ELECTRIC | 1 |
| 27012 | 577 56 12-01 | HOOK | HOOK | 1 |
| 39184 | 591 45 74-23 | BRACKET | BRACKET-ASSY | 1 |
| 39184A | 591 45 74-24 | BRACKET | BRACKET-ASSY | 1 |
| 92153 | 586 63 16-01 | BOLT | BOLT | 2 |
| 92200 | 586 63 17-01 | WASHER | WASHER | 1 |
| 92200A | 586 63 18-01 | WASHER | WASHER | 1 |

E0130-A182W



VALVE & CAMSHAFT

KAWASAKI ENGINES, FS481V-BS55, 2017-09

| Ref | Part No | Description | Remark | QTY KIT |
|--------|--------------|-------------|--------------------------|---------|
| 11055 | 577 69 72-01 | BRACKET | BRACKET | 4 |
| 12004 | 592 73 97-09 | VALVE | VALVE-INTAKE | 2 |
| 12005 | 592 73 97-11 | VALVE | VALVE-EXHAUST | 2 |
| 12009 | 120 09 70-01 | RETAINER | RETAINER-VALVE SPRING | 4 |
| 12011 | 120 11 20-56 | COLLET | COLLET | 8 |
| 12016 | 591 45 74-05 | ARM | ARM-ROCKER | 4 |
| 12032 | 120 32 70-01 | TAPPET | TAPPET | 4 |
| 13070 | 586 52 83-01 | GUIDE | GUIDE,GOVERNOR | 1 |
| 13116 | 591 45 75-77 | ROD | ROD-PUSH | 4 |
| 13271 | 132 71 70-07 | PLATE | PLATE | 1 |
| 13271A | 132 71 70-21 | PLATE | PLATE | 1 |
| 312 | 577 69 81-01 | NUT | NUT-HEX | 4 |
| 42036 | 586 52 85-01 | SLEEVE | SLEEVE | 1 |
| 49078 | 490 78 70-02 | SPRING | SPRING-ENGINE VALVE | 4 |
| 49118 | 591 45 74-25 | CAMSHAFT | CAMSHAFT-COMP | 1 |
| 92033 | 586 62 17-01 | RING | RING-SNAP | 3 |
| 92140 | 577 56 68-01 | BALL | BALL | 6 |
| 92145 | 591 45 76-11 | SPRING | SPRING | 1 |
| 92152 | 586 55 13-01 | COLLAR | COLLAR | 4 |
| 92153 | 577 69 87-01 | BOLT | BOLT,6X29.5 | 4 |
| 92154 | 591 45 74-13 | BOLT | BOLT | 4 |
| 92200 | 586 55 15-01 | WASHER | WASHER,16X42X0.91 | 1 |
| 92200A | 577 69 88-01 | WASHER | WASHER,8.1X18X0.5 | 4 |
| 92200C | 586 52 87-01 | WASHER | WASHER,16.3X30X2.28 | 1 |