

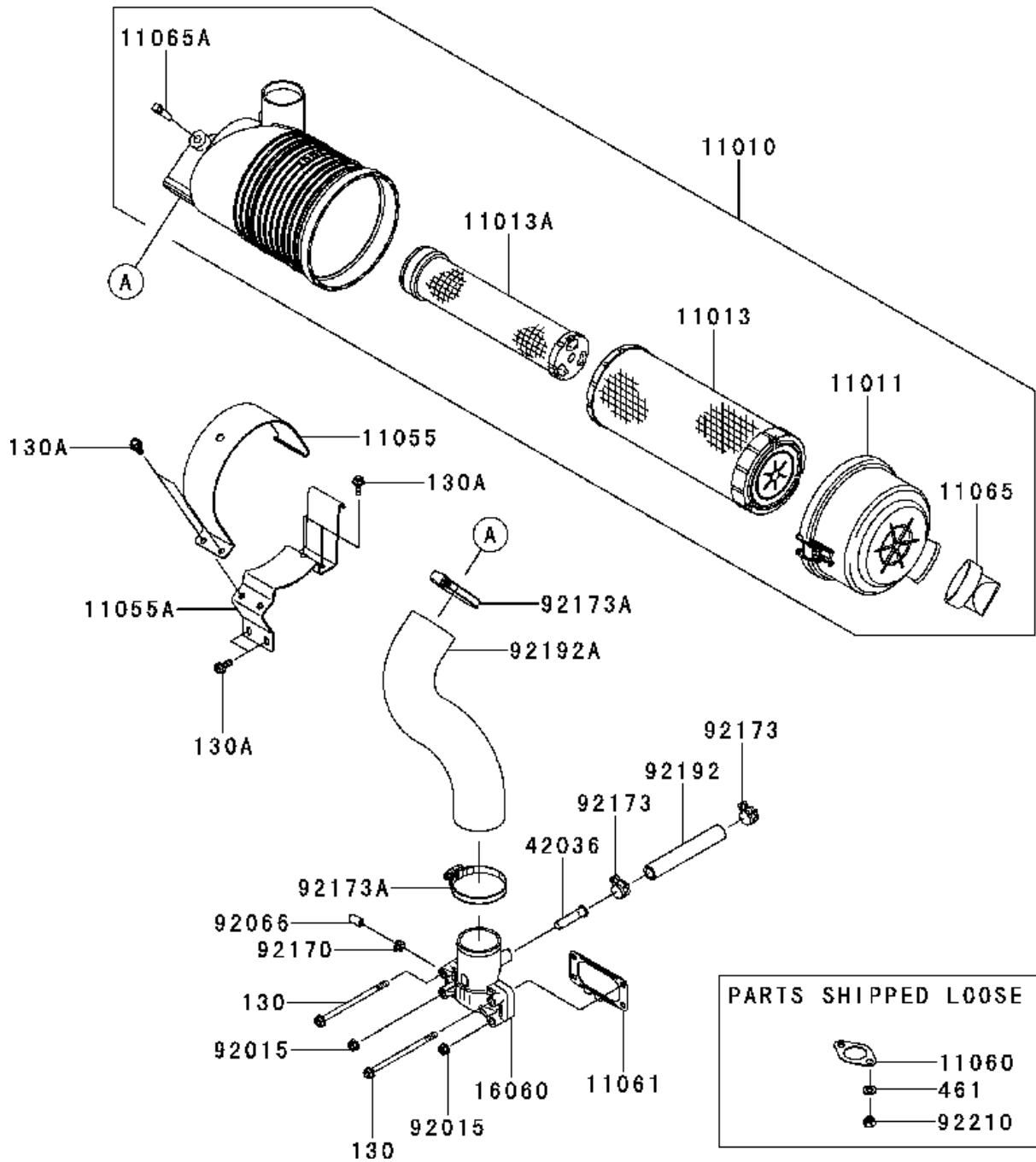


SPARE PARTS LIST

ENGINES & TRANSMISSIONS

KAWASAKI ENGINES, FX691V-AS50,
2017-09

E0190-B336A

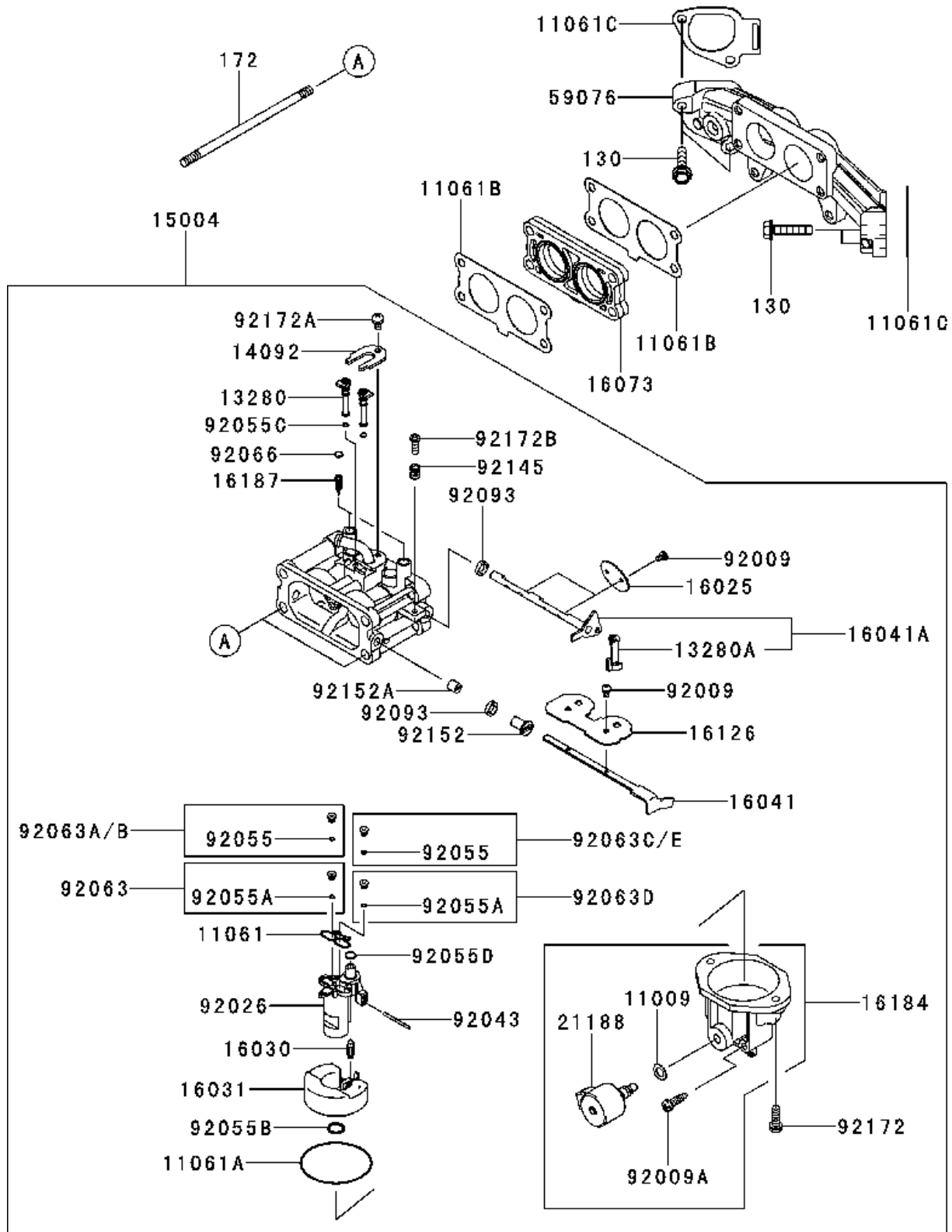


AIR FILTER & MUFFLER

KAWASAKI ENGINES, FX691V-AS50, 2017-09

Ref	Part No	Description	Remark	QTY KIT
11010	577 76 26-01	AIR CLEANER	FILTER-ASSY-AIR	1
11011	579 75 43-01	COVER	CASE-AIR FILTER	1
11013	585 40 80-01	AIR FILTER	ELEMENT-AIR FILTER	1
11013A	585 40 80-02	AIR FILTER	ELEMENT-AIR FILTER	1
11055	586 59 26-01	BRACKET	BRACKET	1
11055A	586 51 79-01	BRACKET	BRACKET	1
11060	110 60 70-16	GASKET	GASKET	2
11061	110 61 70-43	GASKET	GASKET	1
11065	586 51 80-01	CAP	CAP	1
11065A	586 51 81-01	CAP	CAP	1
16060	586 51 87-01	PIPE	PIPE-INTAKE	1
42036	592 73 97-28	SLEEVE	SLEEVE,BREATHER	1
92015	577 58 08-01	NUT	NUT,FLANGED,6MM	2
92066	586 51 88-01	PLUG	PLUG	1
92170	586 51 89-01	CLAMP	CLAMP	1
92173	577 58 10-01	CLAMP	CLAMP	2
92173A	580 46 66-01	CLAMP	CLAMP	2
92192	586 51 90-01	TUBE	TUBE,12.6X18.6X118	1
92192A	586 55 00-01	TUBE	TUBE	1
92210	577 58 14-01	NUT	NUT,M8	4
130	586 51 82-01	BOLT	BOLT-FLANGED,6X110	2
130A	586 51 84-01	BOLT	BOLT-FLANGED,6X16	6
461	577 58 17-01	WASHER	WASHER-SPRING,8MM	4

E0180-A855C

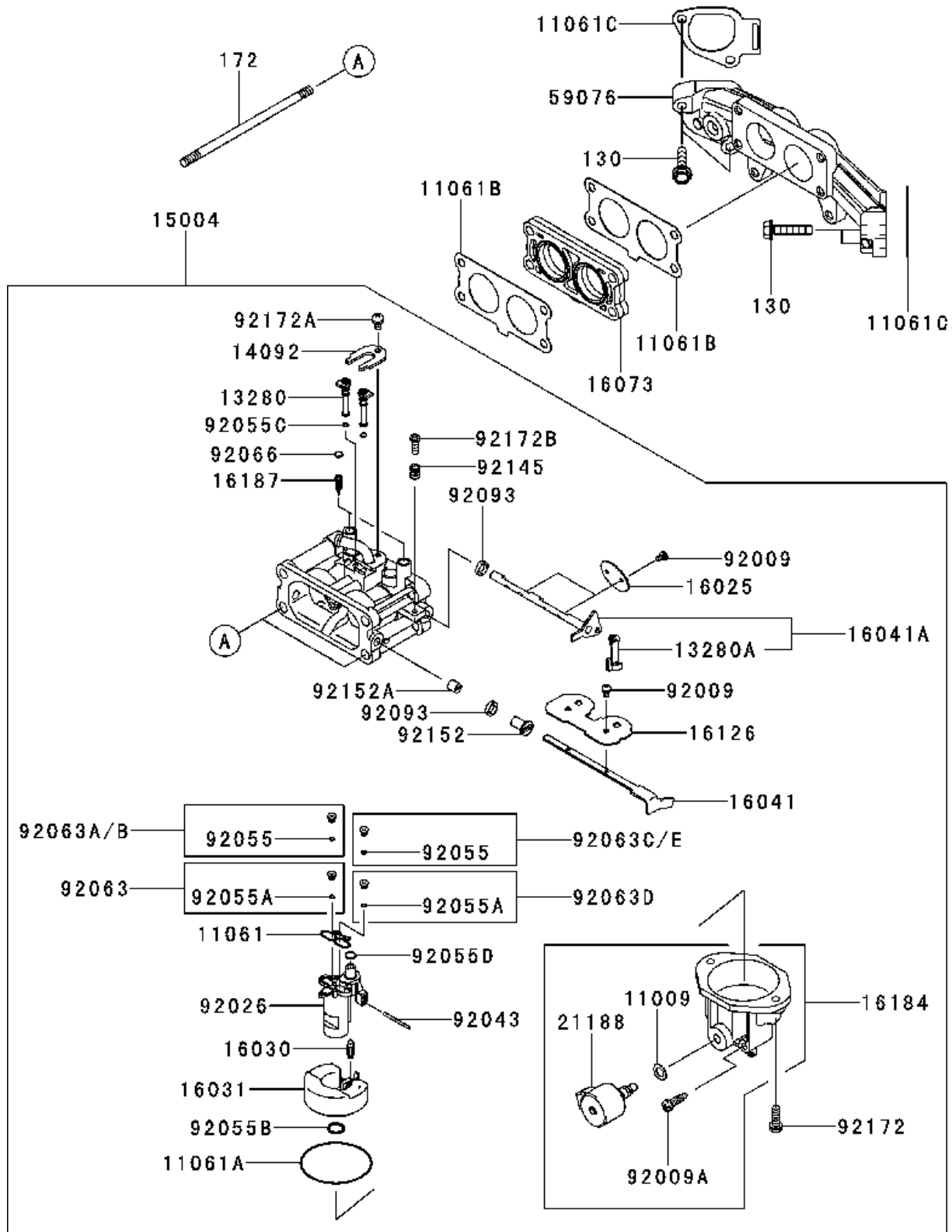


CARBURETOR

KAWASAKI ENGINES, FX691V-AS50, 2017-09

Ref	Part No	Description	Remark	QTY KIT
11009	110 09 20-56	GASKET	GASKET	1
11061	110 61 70-37	GASKET	GASKET	1
11061A	110 61 70-38	GASKET	GASKET	1
11061B	578 18 07-01	GASKET	GASKET,INSULATOR	2
11061C	586 51 91-01	GASKET	GASKET,MANIFOLD	2
13280	586 51 92-01	HOLDER	HOLDER	2
13280A	586 51 93-01	HOLDER	HOLDER	1
14092	586 51 94-01	COVER	COVER	1
15004	591 45 74-32	CARBURETTOR	CARBURETOR-ASSY	1
16025	577 68 01-01	VALVE	VALVE-THROTTLE	2
16030	160 30 70-04	VALVE-FLOAT	VALVE-FLOAT	1
16031	586 51 96-01	FLOAT	FLOAT	1
16041	586 51 97-01	SHAFT	SHAFT-CARBURETOR,CHOK	1
16041A	586 51 99-01	SHAFT	SHAFT-CARBURETOR,THRO	1
16073	586 52 00-01	INSULATOR	INSULATOR	1
16126	586 52 01-01	VALVE	VALVE	1
16184	577 57 76-01	FLOAT	CHAMBER-ASSY-FLOAT	1
16187	577 57 77-01	NEEDLE	NEEDLE-JET	2
21188	211 88 70-03	SOLENOID	SOLENOID	1
59076	591 45 75-26	MANIFOLD	MANIFOLD-INTAKE	1
92009	592 90 57-01	SCREW	SCREW	6
92009A	586 52 05-01	SCREW	SCREW,DRAIN	1
92026	920 26 70-11	SPACER	SPACER	1
92043	586 52 06-01	PEN	PIN	1
92055	586 52 07-01	O-RING	RING-O	
92055A	586 52 07-01	O-RING	RING-O	2
92055B	920 55 70-16	O-RING	RING-O	1
92055C	586 52 08-01	O-RING	RING-O	2
92055D	577 57 83-01	RING	RING-O	1
92063	586 52 09-01	JET	JET-MAIN,#108	1
92063A	592 90 51-01	JET	JET-MAIN,#105	
92063B	592 90 50-01	JET	JET-MAIN,#102	
92063C	586 52 12-01	JET	JET-MAIN,#106	
92063D	577 68 11-01	JET	JET-MAIN,#112	1
92063E	586 52 13-01	JET	JET-MAIN,#109	
92066	920 66 70-09	PLUG	PLUG,EXPANSION	2
92093	920 93 70-02	SEAL(D=6.9)	SEAL,D=6.9	2
92145	577 57 91-01	SPRING	SPRING	1
92152	586 52 14-01	COLLAR	COLLAR	1
92152A	586 52 15-01	COLLAR	COLLAR	1

E0180-A855C

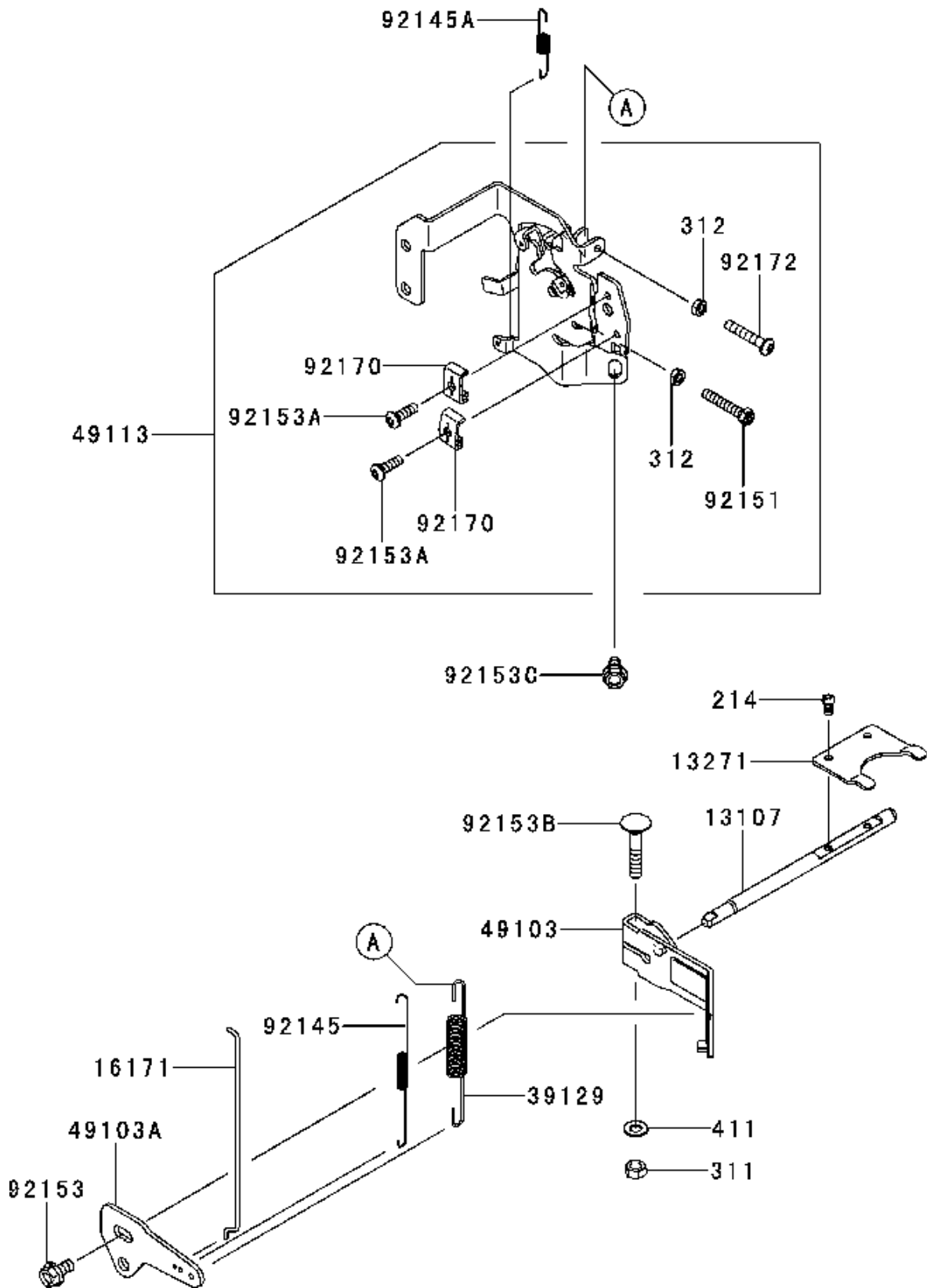


CARBURETOR

KAWASAKI ENGINES, FX691V-AS50, 2017-09

Ref	Part No	Description	Remark	QTY KIT
92172	921 72 70-05	SCREW	SCREW	2
92172A	577 57 92-01	SCREW	SCREW	1
92172B	586 52 16-01	SCREW	SCREW,THROTTLE ADJUST	1
130	577 56 26-01	BOLT	BOLT-FLANGED,6X30	4
172	586 52 02-01	BOLT	BOLT-STUD	2
Not shown	591 45 74-72	GASKET KIT	CARB GASKET KIT	1

E0170-A737A

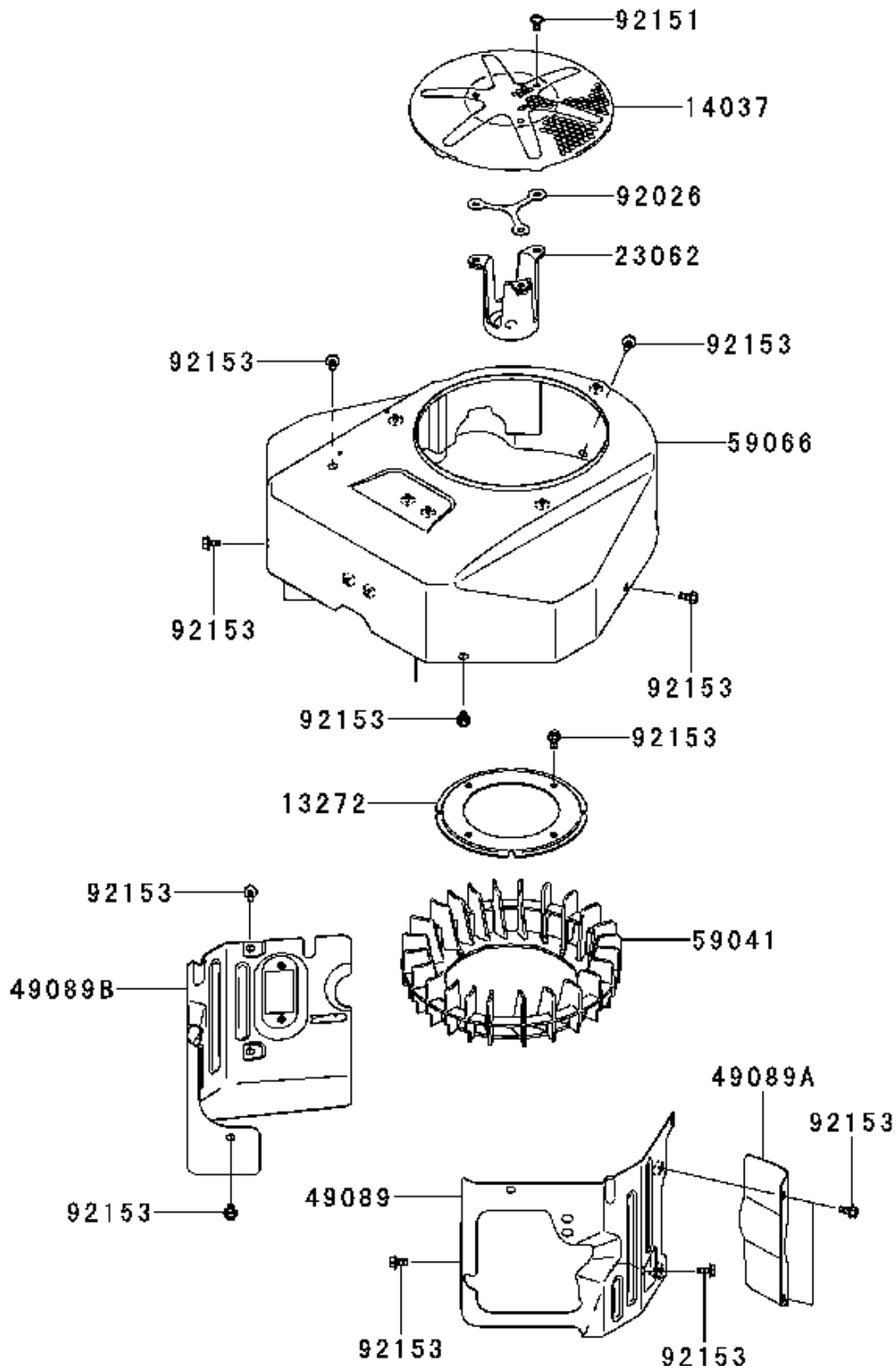


CONTROLS

KAWASAKI ENGINES, FX691V-AS50, 2017-09

Ref	Part No	Description	Remark	QTY KIT
13107	577 74 12-01	SHAFT	SHAFT	1
13271	577 57 12-01	PLATE	PLATE	1
16171	592 73 97-26	LINK	LINK	1
39129	586 52 23-01	SPRING	SPRING-GOVERNOR	1
49103	586 52 24-01	ARM	ARM-GOVERNOR	1
49103A	592 73 97-37	ARM	ARM-GOVERNOR	1
49113	586 52 26-01	PANEL	PANEL-COMP-CONTROL	1
92145	586 52 27-01	SPRING	SPRING	1
92145A	586 52 28-01	SPRING	SPRING	1
92151	592 90 44-01	BOLT	BOLT,5x30	1
92153	577 68 25-01	BOLT	BOLT,FLANGED,6X12	1
92153A	921 53 70-01	BOLT	BOLT,SOCKET,5X16	2
92153B	577 68 26-01	BOLT	BOLT,6X35	1
92153C	577 58 20-01	BOLT	BOLT,6X12	1
92170	921 70 70-01	CLAMP	CLAMP	2
92172	592 90 58-01	SCREW	SCREW,5X30	1
214	577 57 61-01	SCREW	SCREW-PAN+-	2
311	577 57 62-01	NUT	NUT-HEX,6MM	1
312	577 57 63-01	NUT	NUT-HEX	2
411	577 57 64-01	WASHER	WASHER- PLAIN,6.5X13X1	1

E0150-B070A

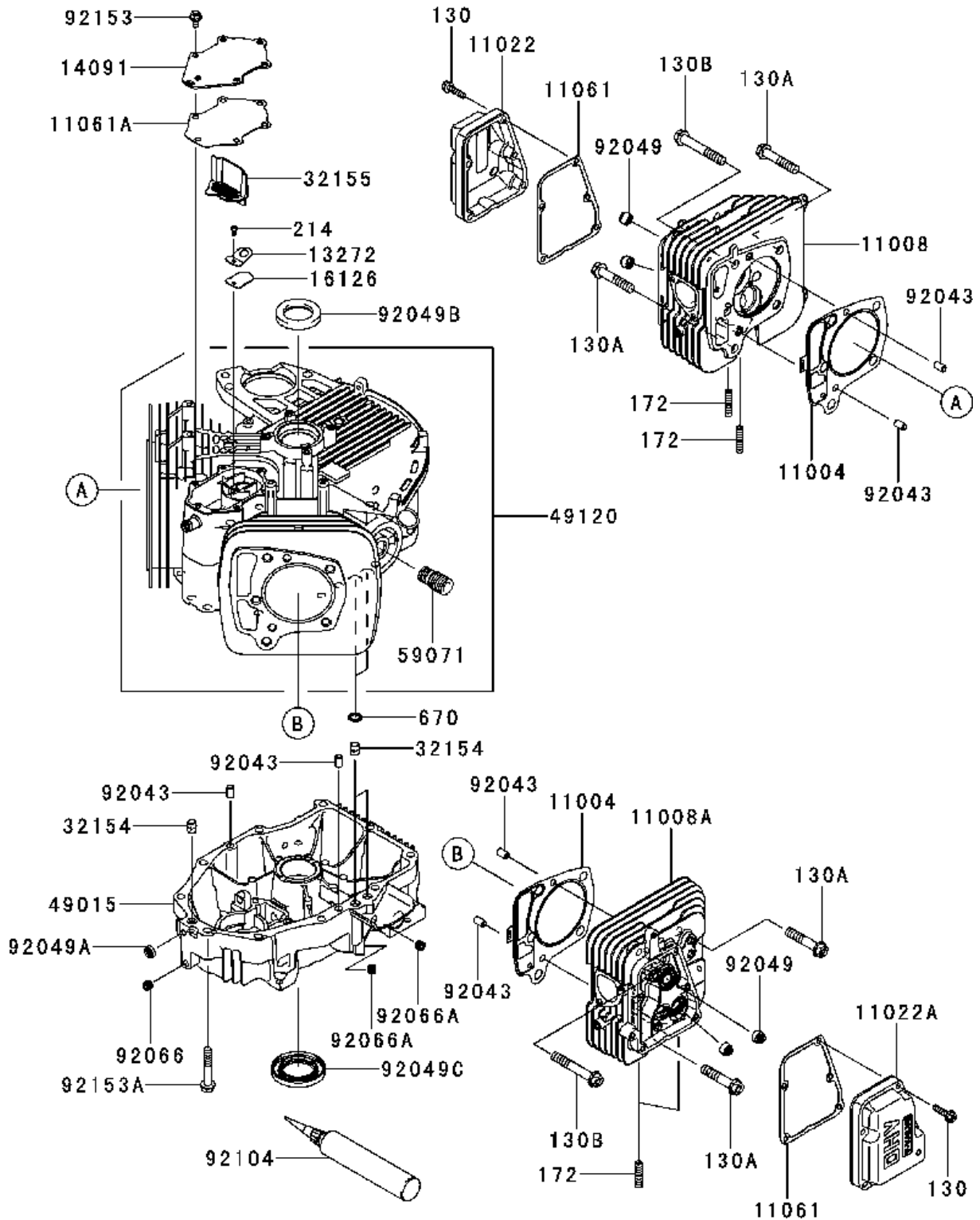


COOLING SYSTEM

KAWASAKI ENGINES, FX691V-AS50, 2017-09

Ref	Part No	Description	Remark	QTY KIT
13272	592 73 97-20	PLATE	PLATE	1
14037	586 59 35-01	SCREEN	SCREEN	1
23062	586 52 30-01	BRACKET	BRACKET-COMP	1
49089	592 73 97-33	SHROUD	SHROUD-ENGINE	1
49089A	592 73 97-35	SHROUD	SHROUD-ENGINE	1
49089B	592 90 60-01	SHROUD	SHROUD-ENGINE	1
59041	586 52 34-01	FAN	FAN	1
59066	592 90 48-01	FAN HOUSING	HOUSING-FAN	1
92026	586 62 28-01	SPACER	SPACER	1
92151	577 68 36-01	BOLT	BOLT,6X12	3
92153	577 58 20-01	BOLT	BOLT,6X12	15

E0110-A652A



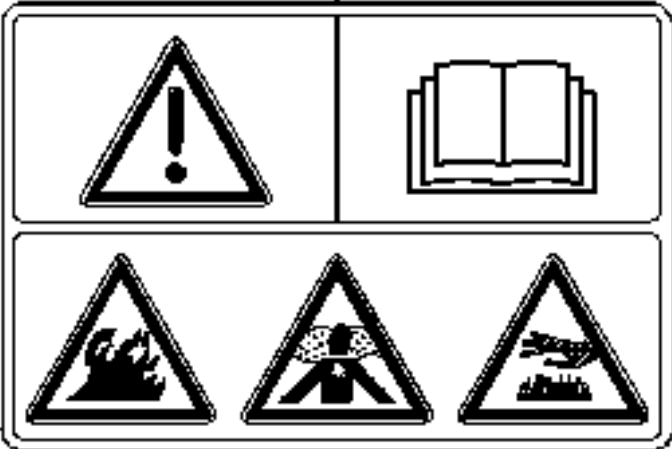
CYLINDER & CRANKCASE

KAWASAKI ENGINES, FX691V-AS50, 2017-09

Ref	Part No	Description	Remark	QTY KIT
11004	586 54 91-01	GASKET	GASKET-HEAD	2
11008	586 54 92-02	CYLINDER	HEAD-COMP-CYLINDER,#1	1
11008A	591 45 74-92	HEAD	HEAD-COMP-CYLINDER,#2	1
11022	592 90 46-01	CASE	CASE-ROCKER,#1	1
11022A	592 90 47-01	CASE	CASE-ROCKER,#2	1
11061	586 52 36-01	GASKET	GASKET,CASE-ROCKER	2
11061A	586 52 39-01	GASKET	GASKET,BREATHER	1
13272	586 59 38-01	PLATE	PLATE	1
14091	586 52 41-01	COVER	COVER,BREATHER	1
16126	577 69 28-01	VALVE	VALVE,BREATHER	1
32154	591 45 75-38	PIN	PIN	3
32155	592 73 97-27	PIPE	PIPE,BREATHER	1
49015	591 45 74-54	COVER	COVER-CRANKCASE	1
49120	591 45 74-57	CRANKCASE	CRANKCASE-COMP	1
59071	590 71 20-79	JOINT	JOINT	1
92043	586 52 44-01	PEN	PIN,DOWEL,6.2X8X14	6
92049	920 49 70-01	SEAL-OIL	SEAL-OIL	4
92049A	920 49 70-05	SEAL-OIL	SEAL-OIL	1
92049B	920 49 70-10	SEAL-OIL	SEAL-OIL,SD 35X48X8 R	1
92049C	586 52 45-01	SEAL	SEAL-OIL,38X62X8MTCLV	1
92066	591 45 75-53	PLUG	PLUG	1
92066A	586 62 16-01	PLUG	PLUG	2
92104	586 59 40-01	GASKET	GASKET-LIQUID,TB1217H	
92153	577 58 20-01	BOLT	BOLT,6X12	6
92153A	586 52 47-01	BOLT	BOLT,8X50	10
130	586 52 40-01	BOLT	BOLT-FLANGED	10
130A	577 69 24-01	BOLT	BOLT-FLANGED,10X50	4
130B	577 56 28-01	BOLT	BOLT-FLANGED	6
172	577 56 29-01	BOLT	BOLT-STUD	4
214	577 57 61-01	SCREW	SCREW-PAN+-	1
670	577 69 33-01	O-RING	O RING	2
Not shown	591 45 75-96	SHORT BLOCK ASSY	ENGINE,SHORT BLOCK	1

F0290-B050A

56070

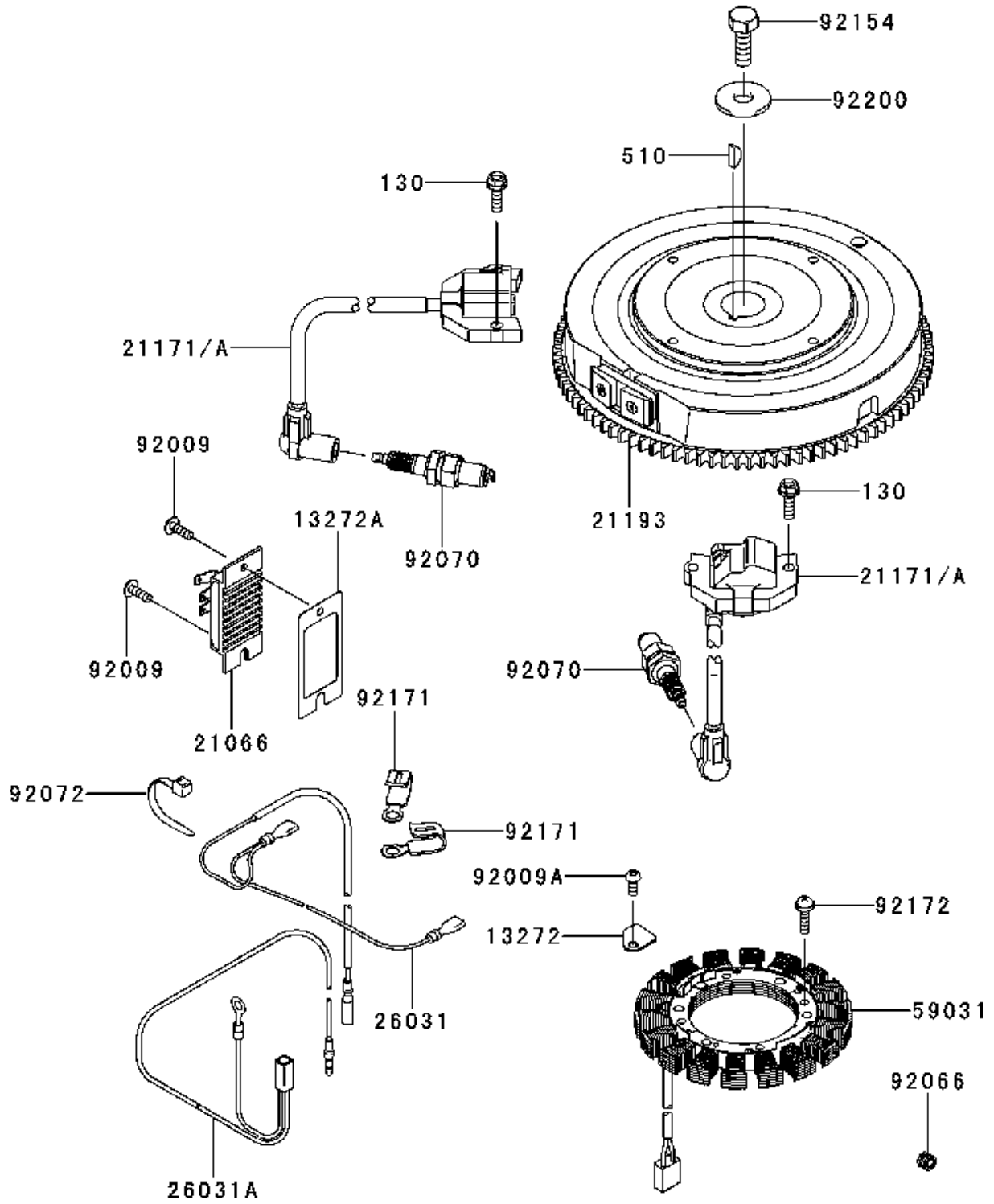


DECALS

KAWASAKI ENGINES, FX691V-AS50, 2017-09

Ref	Part No	Description	Remark	QTY KIT
56070	592 90 55-01	LABEL	LABEL-WARNING	1

E0160-B544A

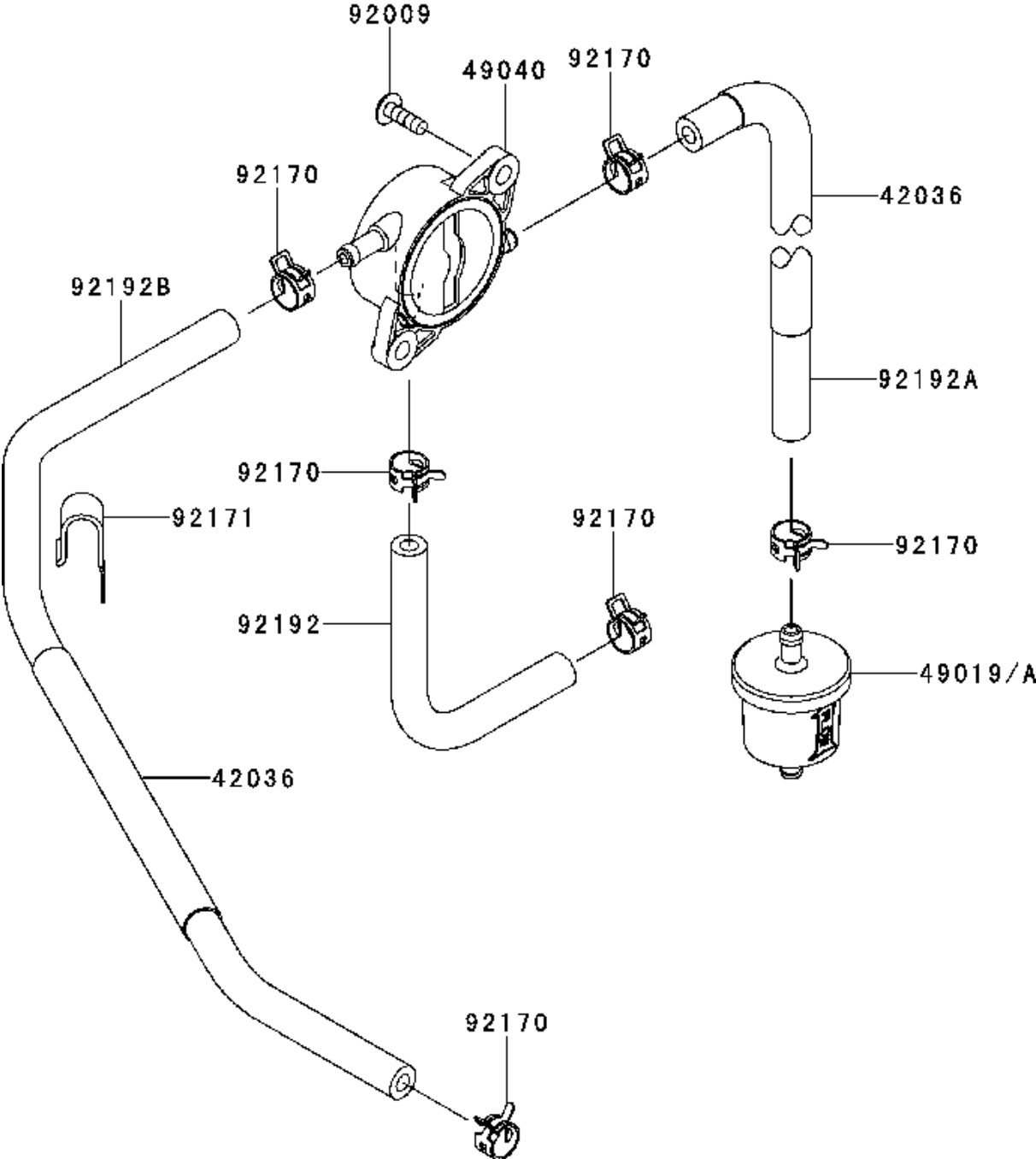


ELECTRICAL

KAWASAKI ENGINES, FX691V-AS50, 2017-09

Ref	Part No	Description	Remark	QTY KIT
13272	586 52 48-01	PLATE	PLATE	1
13272A	586 52 49-01	PLATE	PLATE,REGULATOR	1
21066	210 66 70-11	REGULATOR-VOLTAGE	REGULATOR-VOLTAGE	1
21171	592 73 97-52	STARTER	KIT,STARTER-ELECTRIC	2
21171A	586 52 50-02	COIL	COIL-ASSY-IGNITION	
21193	591 45 74-68	FLYWHEEL	FLYWHEEL-ASSY	1
26031	586 52 52-01	HARNESS	HARNESS	1
26031A	586 52 53-01	HARNESS	HARNESS	1
59031	586 55 04-01	COIL	COIL-CHARGING	1
92009	586 52 54-01	SCREW	SCREW	2
92009A	920 09 23-08	SCREW	SCREW	1
92066	586 62 16-01	PLUG	PLUG	1
92070	578 18 15-01	SPARK PLUG	PLUG- SPARK,BPR4ES(NGK)	2
92072	577 57 04-01	BAND	BAND	1
92154	577 57 05-01	BOLT	BOLT,12X30	1
92171	586 52 59-01	CLAMP	CLAMP	2
92172	577 57 06-01	SCREW	SCREW,5X20	4
92200	922 00 70-02	WASHER	WASHER	1
130	577 58 28-01	BOLT	BOLT-FLANGED,6X20	4
510	502 81 16-01	WOODRUFF KEY	WOODRUFF KEY	1

E0200-A694H

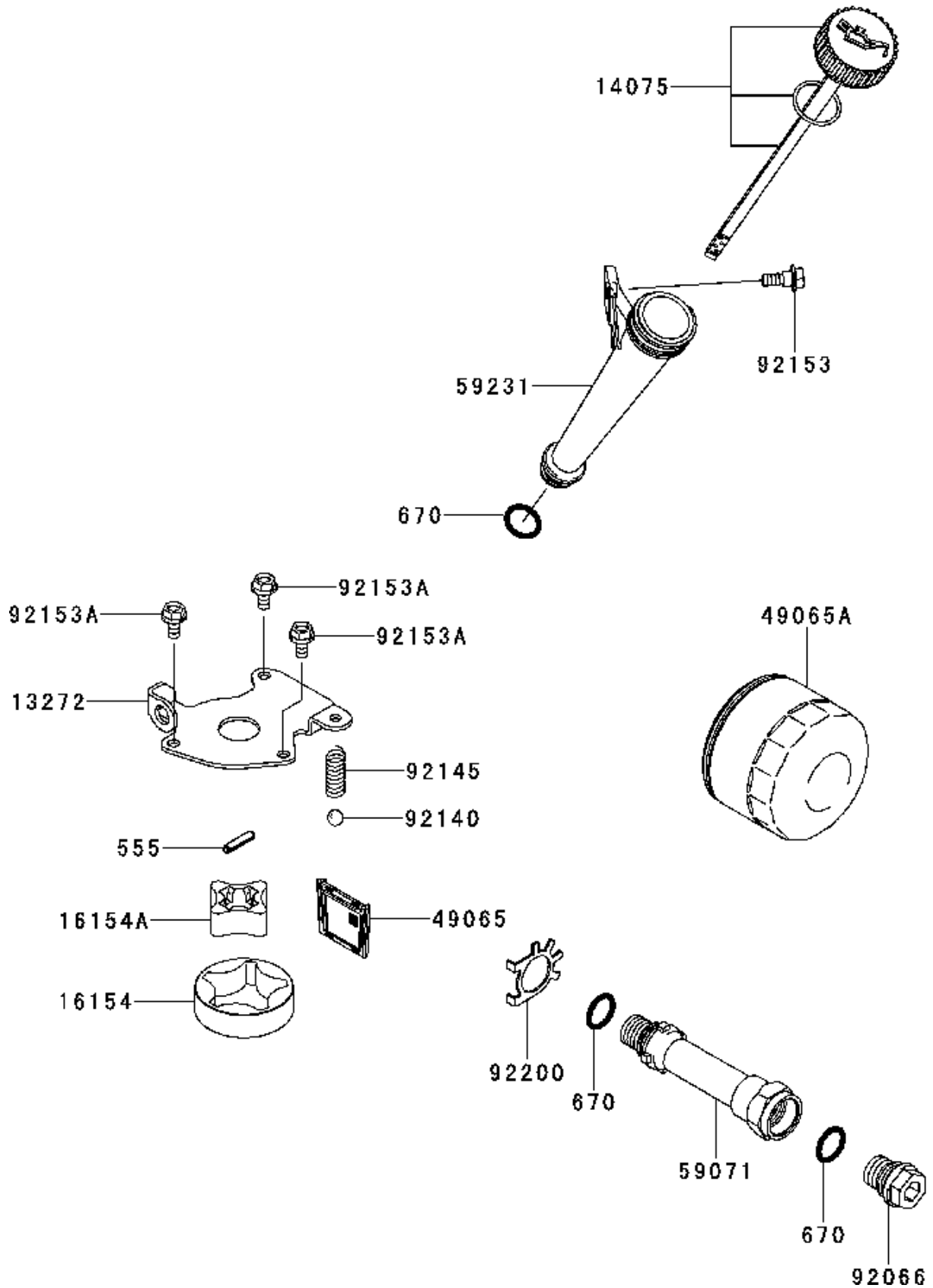


FUEL VALVE

KAWASAKI ENGINES, FX691V-AS50, 2017-09

Ref	Part No	Description	Remark	QTY KIT
42036	586 52 56-01	SLEEVE	SLEEVE	2
49019	582 54 12-01	FUEL FILTER	FILTER-FUEL	1
49040	586 52 57-01	PUMP	PUMP-FUEL	1
92009	586 52 54-01	SCREW	SCREW	2
92170	577 58 21-01	CLAMP	CLAMP	6
92171	586 52 59-01	CLAMP	CLAMP	1
92192	586 52 60-01	TUBE	TUBE,6.4X12.7X150	1
92192A	591 45 76-20	TUBE	TUBE,6.35X12.7X185	1
92192B	591 45 76-22	TUBE	TUBE,6.35X12.7X390	1

E0140-A533A

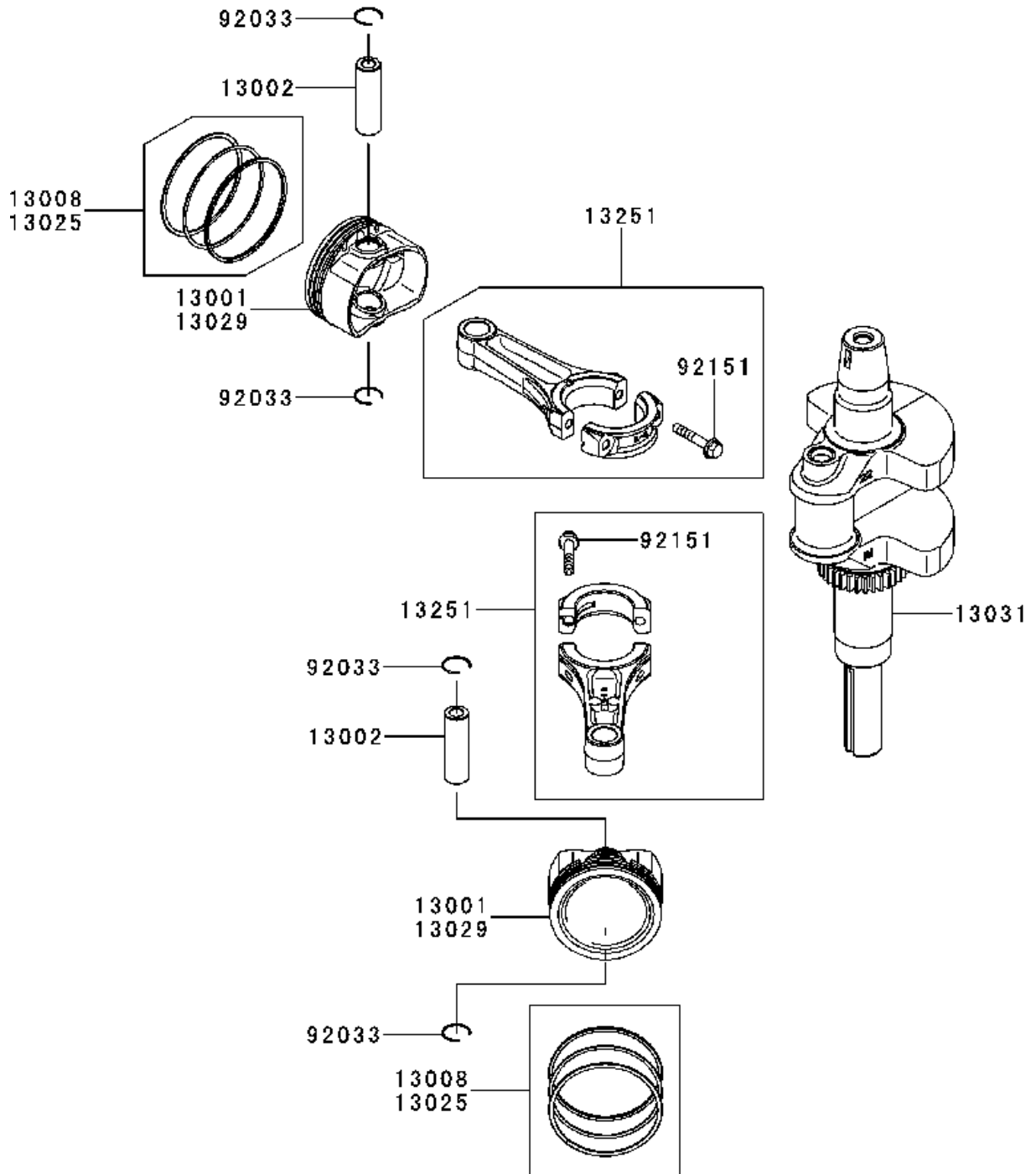


LUBRICATION

KAWASAKI ENGINES, FX691V-AS50, 2017-09

Ref	Part No	Description	Remark	QTY KIT
13272	586 52 63-01	PLATE	PLATE,ROTOR	1
14075	591 45 74-29	CAP	CAP-ASSY	1
16154	586 52 65-01	ROTOR	ROTOR-PUMP,OUTER	1
16154A	586 52 66-01	ROTOR	ROTOR-PUMP,INNER	1
49065	585 43 20-01	OIL SCREEN	FILTER-OIL	1
49065A	578 15 92-01	OIL FILTER	FILTER-OIL	1
59071	575 92 77-01	JOINT	JOINT	1
59231	586 55 07-01	TUBE	FILLER	1
92066	591 45 75-54	PLUG	PLUG	1
92140	921 40 70-03	BALL	BALL	1
92145	921 45 70-02	SPRING	SPRING	1
92153	921 53 70-07	BOLT	BOLT,RECOIL STARTER	1
92153A	577 58 20-01	BOLT	BOLT,6X12	3
92200	591 45 76-31	WASHER	WASHER	1
555	586 59 45-01	PEN	PIN-SPRING,4X20	1
670	502 82 90-01	O-RING	O RING	3

E0120-A398A

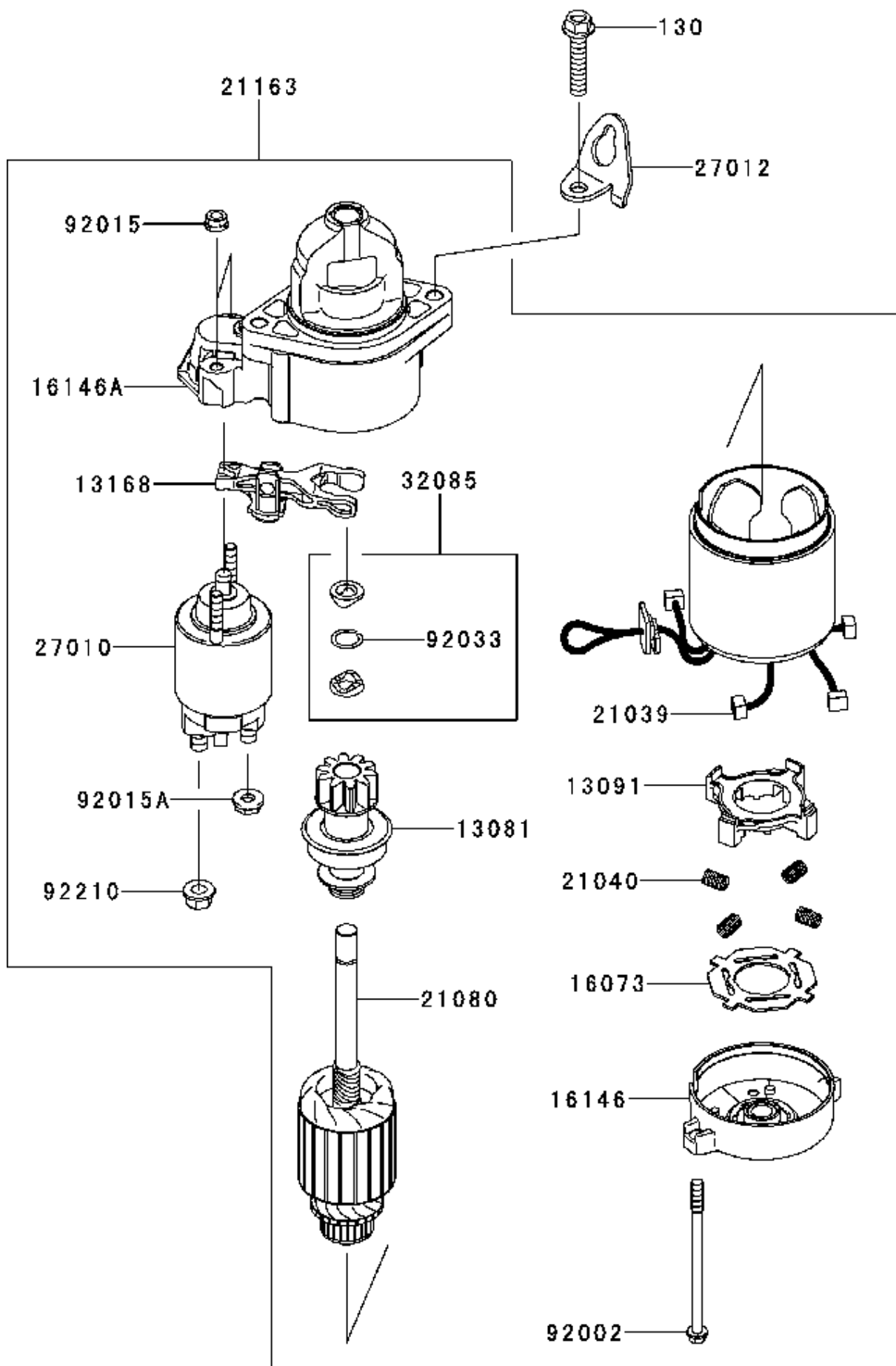


PISTON & CRANKSHAFT

KAWASAKI ENGINES, FX691V-AS50, 2017-09

Ref	Part No	Description	Remark	QTY KIT
13001	586 52 71-01	PISTON	PISTON-ENGINE	2
13002	586 52 72-01	PEN	PIN-PISTON	2
13008	586 52 73-01	RING	RING-SET-PISTON	2
13025	586 52 74-01	RING	RING-SET-PISTON L,0.5	
13029	586 52 75-01	PISTON	PISTON-ENGINE L,0.5	
13031	591 45 74-60	CRANKSHAFT	CRANKSHAFT-COMP	1
13251	591 45 75-72	ROD	ROD-ASSY-CONNECTING	2
92033	586 52 77-02	RING	RING-SNAP	4
92151	586 52 78-01	BOLT	BOLT,6X35	4

E0210-A473A

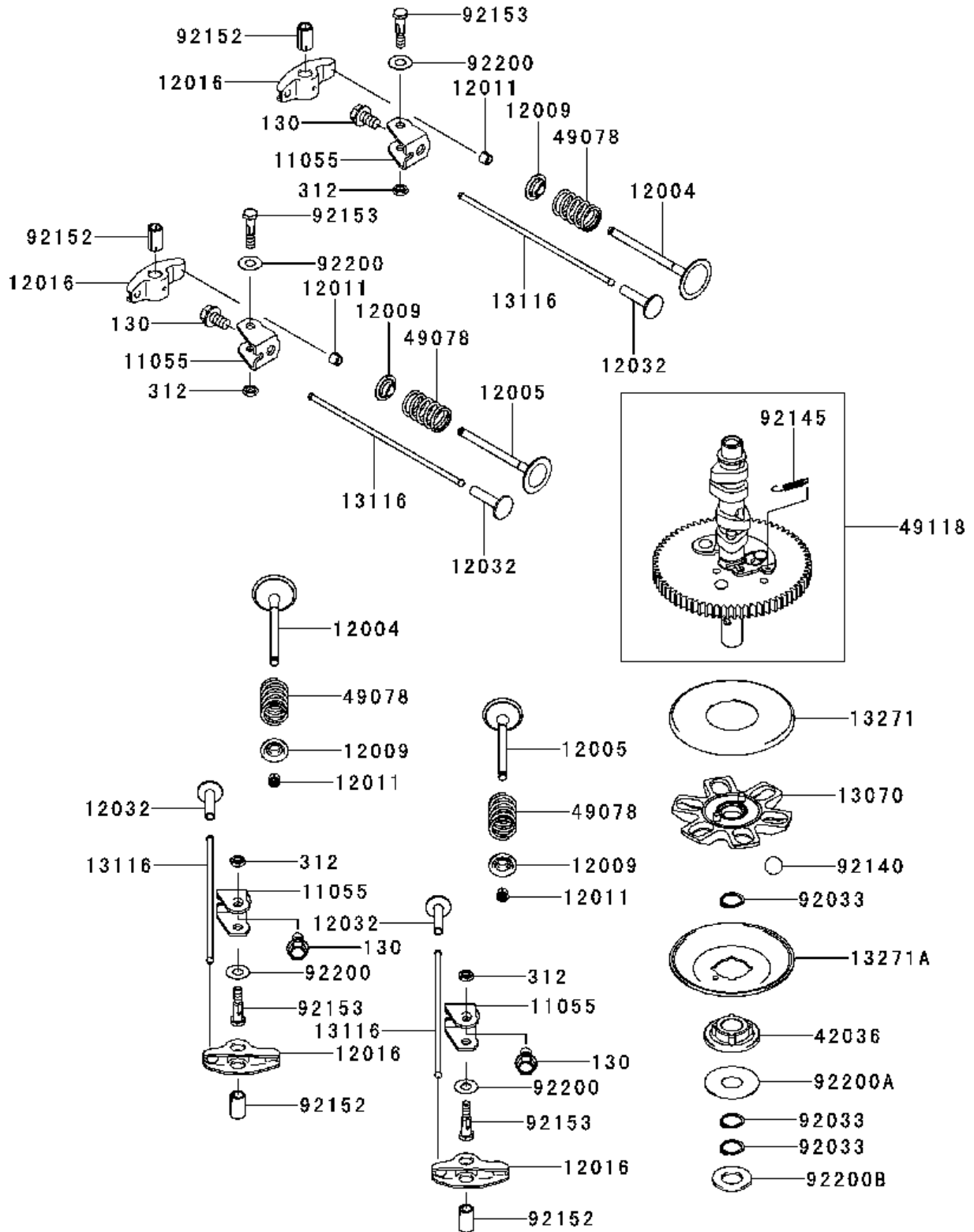


STARTER

KAWASAKI ENGINES, FX691V-AS50, 2017-09

Ref	Part No	Description	Remark	QTY KIT
13081	577 58 29-01	CLUTCH	CLUTCH-ASSY	1
13091	130 91 20-68	HOLDER	HOLDER-BRUSH	1
13168	577 58 30-01	LEVER	LEVER	1
16073	577 58 31-01	INSULATOR	INSULATOR	1
16146	577 58 32-01	COVER	COVER ASSY	1
16146A	586 52 79-01	COVER	COVER-ASSY	1
21039	210 39 20-59	BRUSH	BRUSH	4
21040	210 40 20-52	SPRING	SPRING-BRUSH	4
21080	577 58 35-01	SHAFT	ARMATURE	1
21163	592 73 97-51	STARTER	KIT,STARTER-ELECTRIC	1
27010	577 58 37-01	SWITCH	SWITCH	1
27012	577 56 12-01	HOOK	HOOK	1
32085	577 58 38-01	STOPPER	STOPPER	1
92002	577 58 39-01	BOLT	BOLT	2
92015	577 58 40-01	NUT	NUT	2
92015A	577 58 41-01	NUT	NUT	1
92033	577 20 93-01	RING	RING-SNAP	1
92210	577 58 42-01	NUT	NUT	1
130	586 60 30-01	BOLT	BOLT-FLANGED,8X40	2

E0130-A176A



VALVE & CAMSHAFT

KAWASAKI ENGINES, FX691V-AS50, 2017-09

Ref	Part No	Description	Remark	QTY KIT
11055	577 69 72-01	BRACKET	BRACKET	4
12004	591 45 76-29	VALVE	VALVE-INTAKE	2
12005	591 45 76-28	VALVE	VALVE-EXHAUST	2
12009	120 09 70-01	RETAINER	RETAINER-VALVE SPRING	4
12011	120 11 20-56	COLLET	COLLET	8
12016	591 45 74-05	ARM	ARM-ROCKER	4
12032	120 32 70-01	TAPPET	TAPPET	4
13070	586 52 83-01	GUIDE	GUIDE,GOVERNOR	1
13116	591 45 75-76	ROD	ROD-PUSH	4
13271	132 71 70-07	PLATE	PLATE	1
13271A	132 71 70-21	PLATE	PLATE	1
42036	586 52 85-01	SLEEVE	SLEEVE	1
49078	490 78 70-02	SPRING	SPRING-ENGINE VALVE	4
49118	586 52 86-01	CAMSHAFT	CAMSHAFT-COMP	1
92033	586 62 17-01	RING	RING-SNAP	3
92140	577 56 68-01	BALL	BALL	6
92145	591 45 76-11	SPRING	SPRING	1
92152	586 55 13-01	COLLAR	COLLAR	4
92153	577 69 87-01	BOLT	BOLT,6X29.5	4
92200	577 69 88-01	WASHER	WASHER,8.1X18X0.5	4
92200A	586 55 15-01	WASHER	WASHER,16X42X0.91	1
92200B	586 52 87-01	WASHER	WASHER,16.3X30X2.28	1
130	577 69 77-01	BOLT	BOLT-FLANGED	4
312	577 69 81-01	NUT	NUT-HEX	4