

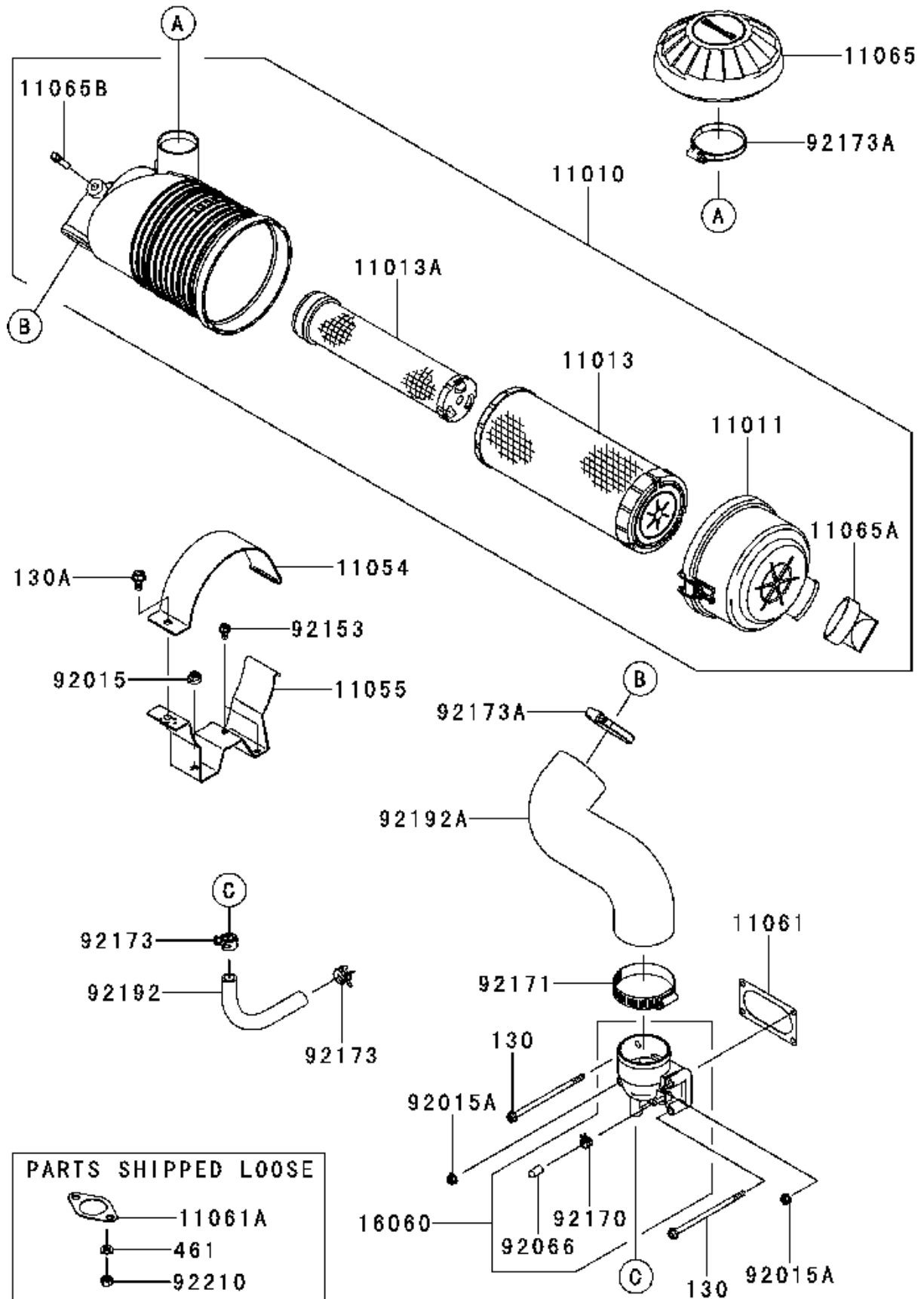


SPARE PARTS LIST

ENGINES & TRANSMISSIONS

KAWASAKI ENGINES, FX921V-ES06,
2017-09

E0190-B615A

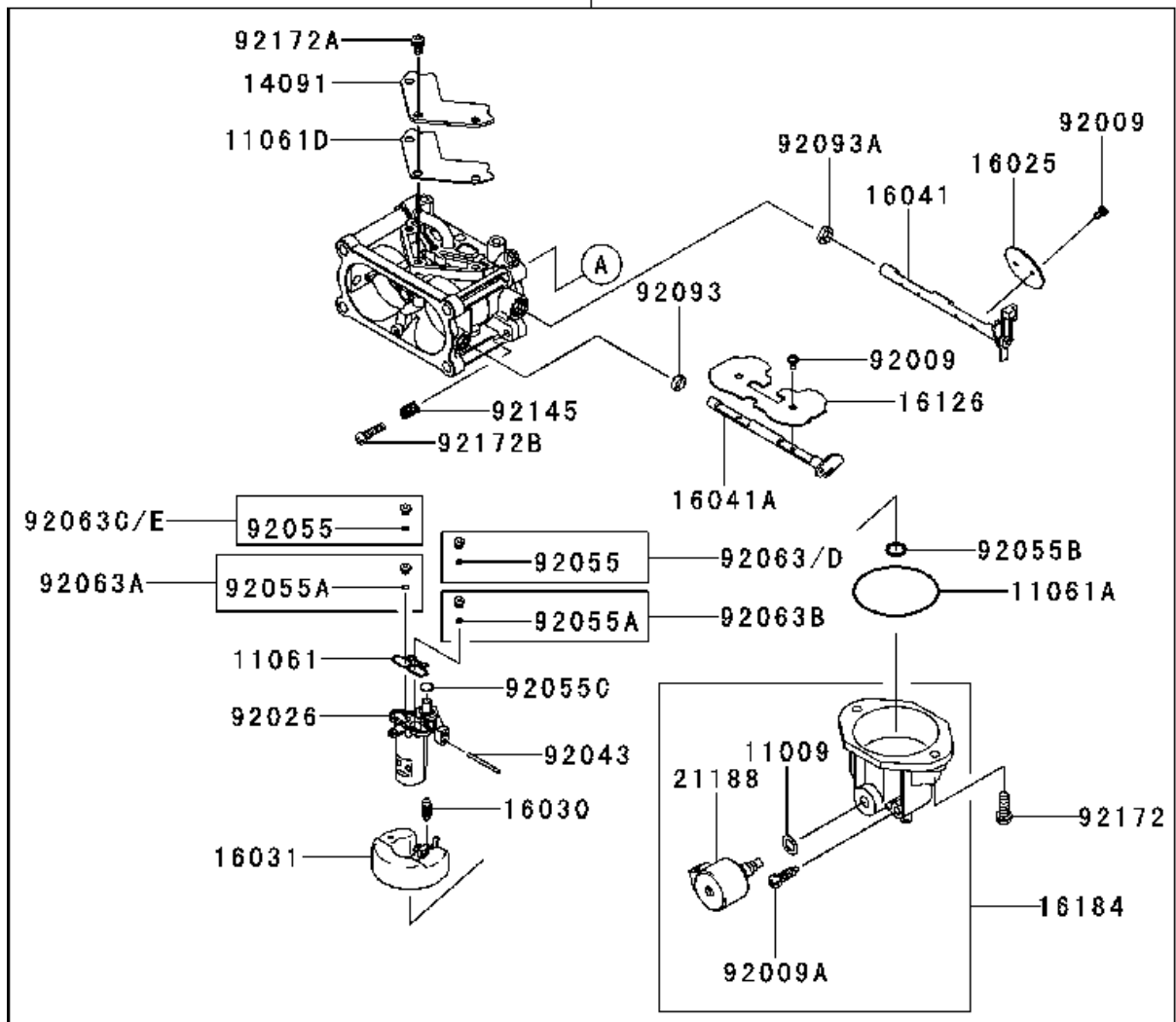
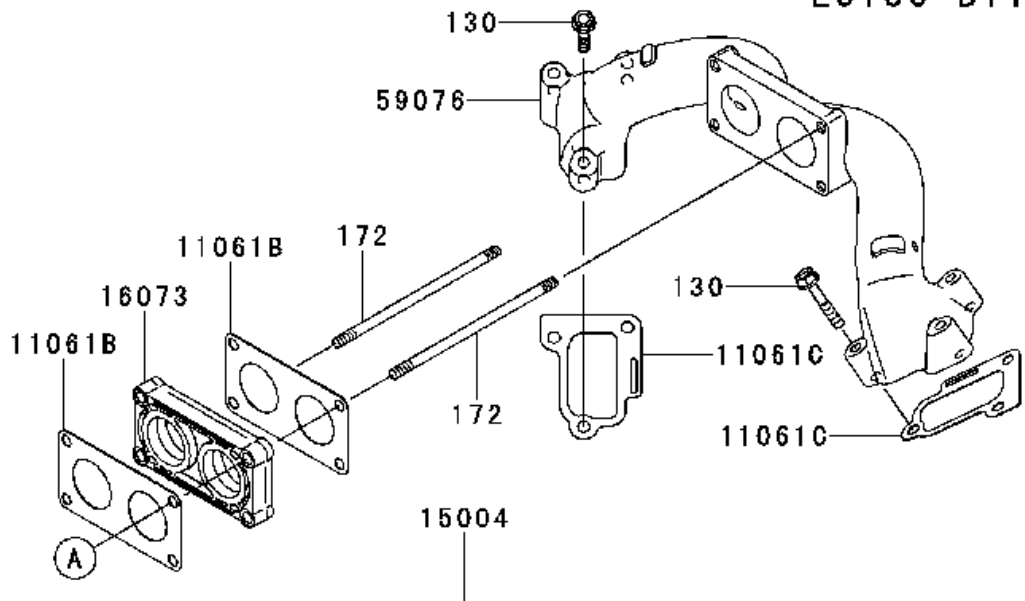


AIR FILTER & MUFFLER

KAWASAKI ENGINES, FX921V-ES06, 2017-09

Ref	Part No	Description	Remark	QTY KIT
11010	577 76 26-01	AIR CLEANER	FILTER-ASSY-AIR	1
11011	579 75 43-01	COVER	CASE-AIR FILTER	1
11013	585 40 80-01	AIR FILTER	ELEMENT-AIR FILTER	1
11013A	585 40 80-02	AIR FILTER	ELEMENT-AIR FILTER	1
11054	577 57 99-01	BRACKET	BRACKET	1
11055	577 58 00-01	BRACKET	BRACKET	1
11061	577 58 01-01	GASKET	GASKET,PIPE-INTAKE	1
11061A	577 58 02-01	GASKET	GASKET,MUFFLER	2
11065	577 41 56-01	HUB CAP	CAP	1
11065A	586 51 80-01	CAP	CAP	1
11065B	586 51 81-01	CAP	CAP	1
130	577 58 15-01	BOLT	BOLT-FLANGED,6X120	2
130A	591 45 74-19	BOLT	BOLT-FLANGED	1
16060	591 45 75-42	PIPE	PIPE-INTAKE	1
461	577 58 17-01	WASHER	WASHER-SPRING,8MM	4
92015	577 58 07-01	NUT	NUT-8MM	1
92015A	577 58 08-01	NUT	NUT,FLANGED,6MM	2
92066	586 51 88-01	PLUG	PLUG	1
92153	577 58 20-01	BOLT	BOLT,6X12	2
92170	586 51 89-01	CLAMP	CLAMP	1
92171	577 58 09-01	CLAMP	CLAMP,AIR-FILTER	1
92173	577 58 10-01	CLAMP	CLAMP	2
92173A	580 46 66-01	CLAMP	CLAMP	2
92192	577 67 94-01	TUBE	TUBE	1
92192A	591 45 76-25	TUBE	TUBE,AIR-FILTER	1
92210	577 58 14-01	NUT	NUT,M8	4

E0180-B118A

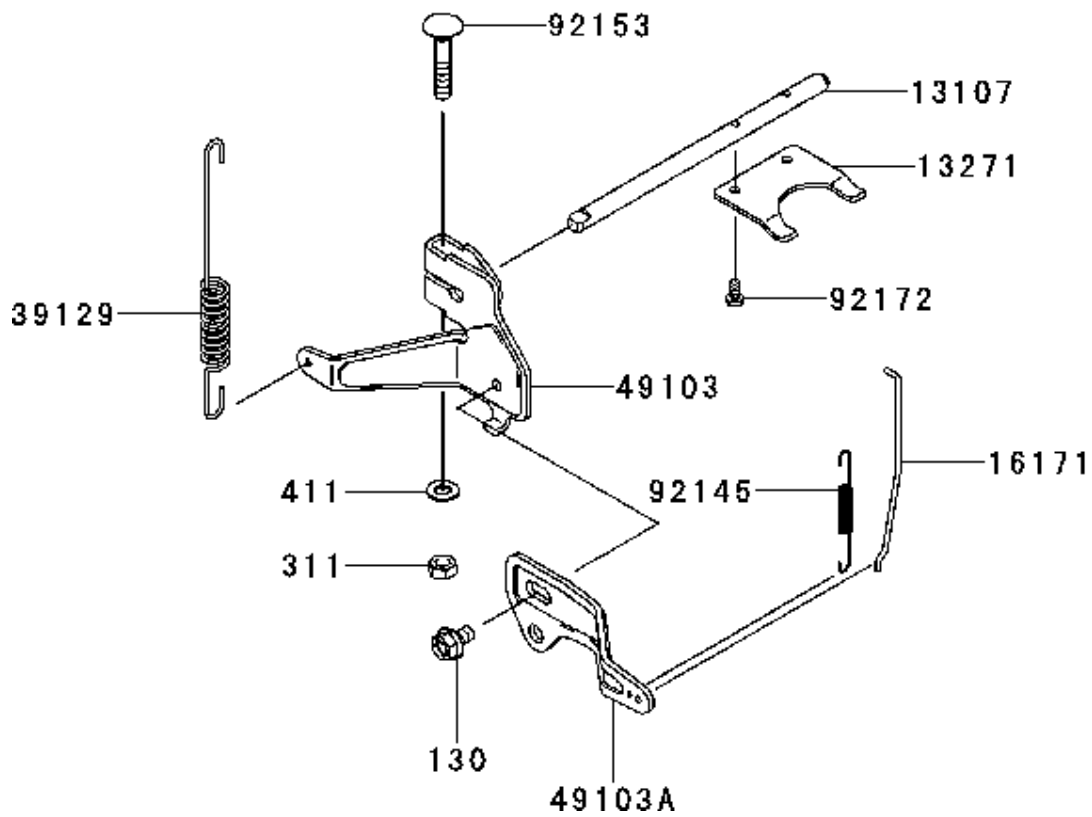
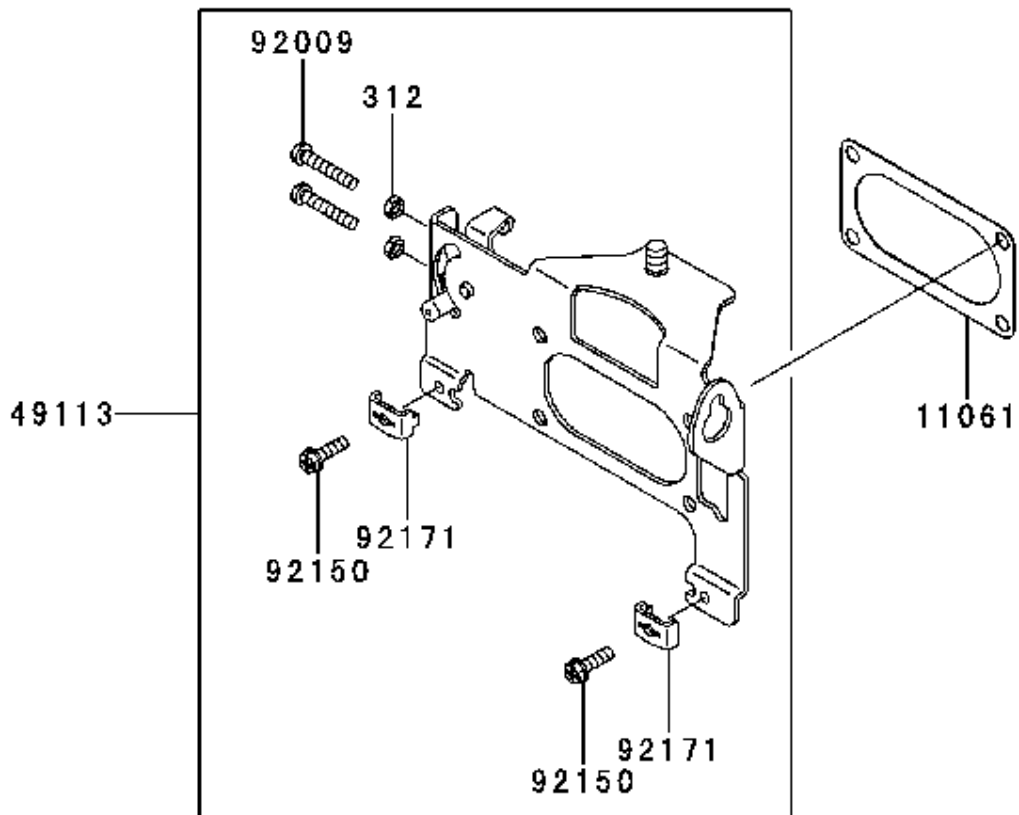


CARBURETOR

KAWASAKI ENGINES, FX921V-ES06, 2017-09

Ref	Part No	Description	Remark	QTY KIT
11009	110 09 20-56	GASKET	GASKET	1
11061	110 61 70-37	GASKET	GASKET	1
11061A	110 61 70-38	GASKET	GASKET	1
11061B	577 57 65-01	GASKET	GASKET,INSULATOR	2
11061C	577 57 66-01	GASKET	GASKET,MANIFOLD	2
11061D	577 57 67-01	GASKET	GASKET	1
130	577 57 94-01	BOLT	BOLT-FLANGED	6
14091	577 57 68-01	COVER	COVER	1
15004	591 45 74-33	CARBURETTOR	CARBURETOR-ASSY	1
16025	577 57 70-01	VALVE	VALVE-THROTTLE	2
16030	160 30 70-04	VALVE-FLOAT	VALVE-FLOAT	1
16031	160 31 70-03	FLOAT	FLOAT	1
16041	591 45 75-89	SHAFT	SHAFT-CARBURETOR,THRO	1
16041A	577 57 71-01	SHAFT	SHAFT-CARBURETOR,CHOC	1
16073	577 57 73-01	INSULATOR	INSULATOR	1
16126	577 57 74-01	VALVE	VALVE,CHOCK	1
16184	577 57 76-01	FLOAT	CHAMBER-ASSY-FLOAT	1
172	577 57 78-01	STUD	STUD,6X120	2
21188	211 88 70-03	SOLENOID	SOLENOID	1
59076	585 64 56-01	MANIFOLD	MANIFOLD-INTAKE	1
92009	577 57 79-01	SCREW	SCREW	6
92009A	586 52 05-01	SCREW	SCREW,DRAIN	1
92026	577 57 81-01	SPACER	SPACER	1
92043	586 52 06-01	PEN	PIN	1
92055	586 52 07-01	O-RING	RING-O	
92055A	586 52 07-01	O-RING	RING-O	2
92055B	920 55 70-16	O-RING	RING-O	1
92055C	577 57 83-01	RING	RING-O	1
92063	577 57 84-01	JET	JET-MAIN,#134	1
92063A	577 57 84-01	JET	JET-MAIN,#134	1
92063B	577 57 85-01	JET	JET-MAIN,#140	1
92063C	577 57 87-01	JET	JET-MAIN,#131	1
92063D	577 57 88-01	JET	JET-MAIN,#137	1
92063E	577 57 89-01	JET	JET-MAIN,#128	1
92093	577 57 90-01	SEAL	SEAL,D=5.9	1
92093A	920 93 70-02	SEAL(D=6.9)	SEAL,D=6.9	1
92145	577 57 91-01	SPRING	SPRING	1
92172	921 72 70-05	SCREW	SCREW	2
92172A	577 57 92-01	SCREW	SCREW	3
92172B	586 52 16-01	SCREW	SCREW,THROTTLE ADJUST	1
Not shown	591 45 74-70	GASKET KIT	CARB GASKET KIT	1

E0170-A830D

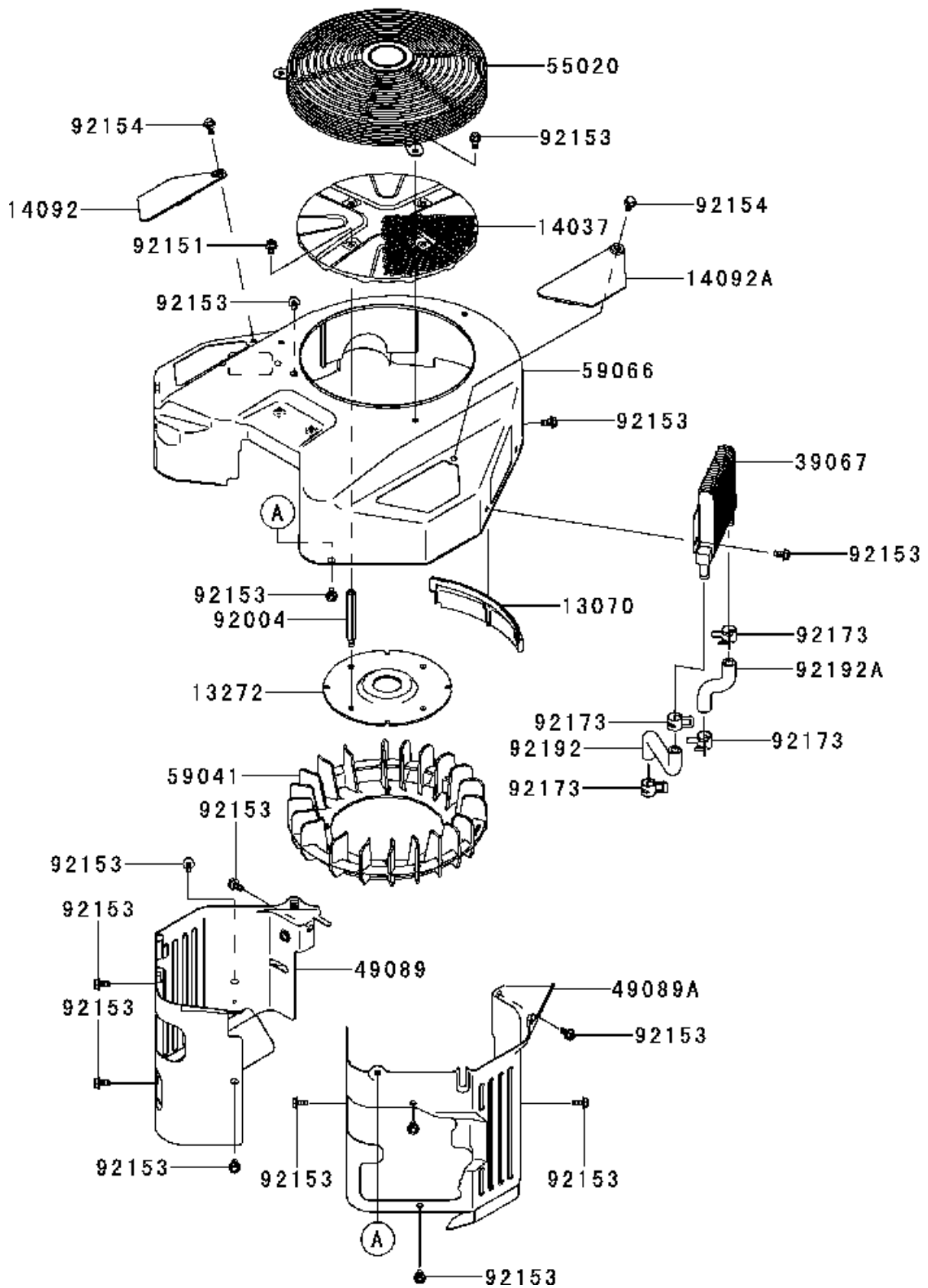


CONTROLS

KAWASAKI ENGINES, FX921V-ES06, 2017-09

Ref	Part No	Description	Remark	QTY KIT
11061	577 58 01-01	GASKET	GASKET,PIPE-INTAKE	1
130	577 57 60-01	BOLT	BOLT-FLANGED,6X10	1
13107	577 57 11-01	SHAFT	SHAFT	1
13271	577 57 12-01	PLATE	PLATE	1
16171	591 45 75-24	LINK	LINK	1
311	577 57 62-01	NUT	NUT-HEX,6MM	1
312	577 57 63-01	NUT	NUT-HEX	2
39129	577 57 14-01	SPRING	SPRING-GOVERNOR	1
411	577 57 64-01	WASHER	WASHER- PLAIN,6.5X13X1	1
49103	577 57 15-01	ARM	ARM-GOVERNOR	1
49103A	577 57 16-01	ARM	ARM-GOVERNOR	1
49113	591 45 75-37	PANEL	PANEL-COMP-CONTROL	1
92009	577 57 18-01	SCREW	SCREW,5X30	2
92145	577 57 20-01	SPRING	SPRING	1
92150	921 50 21-82	BOLT	BOLT	2
92153	577 68 26-01	BOLT	BOLT,6X35	1
92171	577 57 21-01	CLAMP	CLAMP	2
92172	591 45 75-79	SCREW	SCREW,4X8	2

E0150-B278C

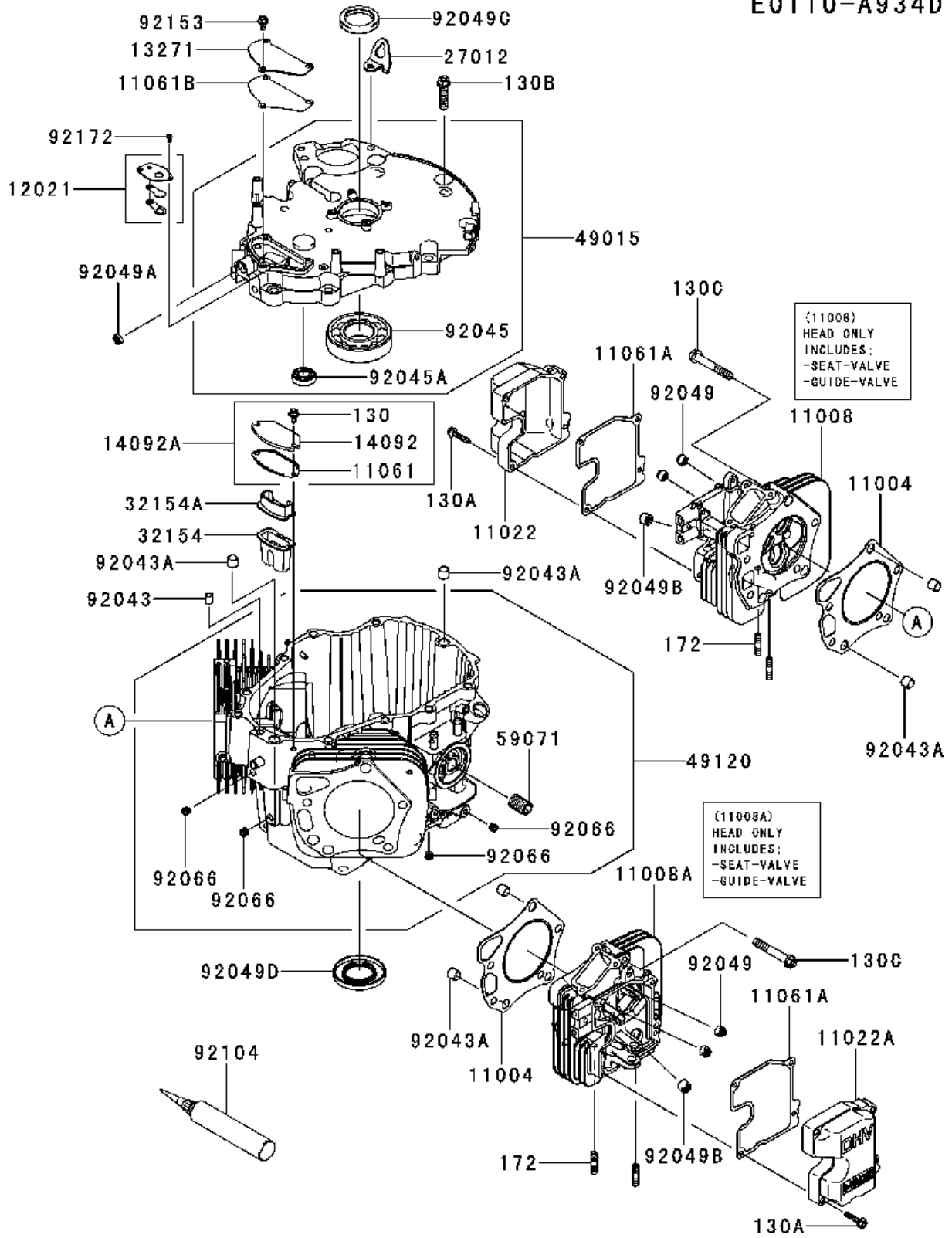


COOLING SYSTEM

KAWASAKI ENGINES, FX921V-ES06, 2017-09

Ref	Part No	Description	Remark	QTY KIT
13070	577 56 76-01	GUIDE	GUIDE	1
13272	591 45 75-50	PLATE	PLATE,FAN	1
14037	577 56 78-01	SCREEN	SCREEN	1
14092	591 45 74-48	COVER	COVER	1
14092A	591 45 74-49	COVER	COVER	1
39067	591 45 74-47	COOLER	COOLER-OIL	1
49089	591 45 76-04	SHROUD	SHROUD-ENGINE,#1	1
49089A	577 56 81-01	SHROUD	SHROUD-ENGINE	1
55020	577 56 82-01	GUARD	GUARD	1
59041	577 56 84-01	FAN	FAN	1
59066	591 45 75-03	HOUSING	HOUSING-FAN,GRAY	1
92004	577 56 87-01	STUD	STUD,SCREEN	4
92151	577 68 36-01	BOLT	BOLT,6X12	4
92153	577 58 20-01	BOLT	BOLT,6X12	18
92154	591 45 74-10	BOLT	BOLT	2
92173	591 45 74-43	CLAMP	CLAMP	4
92192	577 56 90-01	TUBE	TUBE	1
92192A	577 56 91-01	TUBE	TUBE	1

E0110-A934D



CYLINDER & CRANKCASE

KAWASAKI ENGINES, FX921V-ES06, 2017-09

Ref	Part No	Description	Remark	QTY KIT
11004	577 56 02-01	GASKET	GASKET-HEAD	2
11008	591 45 74-89	HEAD	HEAD-COMP-CYLINDER,#1	1
11008A	591 45 74-91	HEAD	HEAD-COMP-CYLINDER,#2	1
11022	592 73 97-06	CASE	CASE-ROCKER,#1	1
11022A	592 73 97-07	CASE	CASE-ROCKER,#2	1
11061	591 45 74-80	GASKET	GASKET	1
11061A	577 56 07-01	GASKET	GASKET,CASE-ROCKER	2
11061B	577 56 08-01	GASKET	GASKET,BREATHER-COVER	1
12021	577 56 09-01	VALVE	VALVE-ASSY-REED,BREAT	1
130	586 51 84-01	BOLT	BOLT-FLANGED,6X16	2
130A	577 56 26-01	BOLT	BOLT-FLANGED,6X30	8
130B	577 56 27-01	BOLT	BOLT-FLANGED	11
130C	577 56 28-01	BOLT	BOLT-FLANGED	10
13271	577 56 10-01	PLATE	PLATE,BREATHER-COVER	1
14092	591 45 74-50	COVER	COVER	1
14092A	592 73 97-53	BREATHER	KIT,BREATHER	1
172	591 45 74-22	BOLT	BOLT-STUD,8X22	4
27012	577 56 12-01	HOOK	HOOK	1
32154	577 56 13-01	PIPE	PIPE,BREATHER	1
32154A	577 56 14-01	PIPE	PIPE,BREATHER	1
49015	577 56 16-01	COVER	COVER-CRANKCASE	1
49120	591 45 74-56	CRANKCASE	CRANKCASE-COMP	1
59071	591 45 75-10	JOINT	JOINT	1
92043	591 45 75-38	PIN	PIN	1
92043A	577 56 18-01	PEN	PIN,11X14X12.3	6
92045	591 45 74-08	BEARING	BEARING-BALL,6308	1
92045A	577 56 19-01	BEARING	BEARING-BALL,A 15X32X	1
92049	920 49 70-01	SEAL-OIL	SEAL-OIL	4
92049A	586 44 16-01	SEAL	SEAL-OIL,SO 8X14X5 HS	1
92049B	577 56 20-01	SEAL	SEAL-OIL	2
92049C	577 56 21-01	SEAL	SEAL-OIL,SD 40X54X9 R	1
92049D	577 56 22-01	SEAL	SEAL-OIL,SD 40X72X8 L	1
92066	586 62 16-01	PLUG	PLUG	4
92104	586 59 40-01	GASKET	GASKET-LIQUID,TB1217H	
92153	577 58 20-01	BOLT	BOLT,6X12	3
92172	591 45 75-79	SCREW	SCREW,4X8	2
Not shown	591 45 75-92	SHORT BLOCK ASSY	ENGINE,SHORT BLOCK	1

F0290-C081A

56014



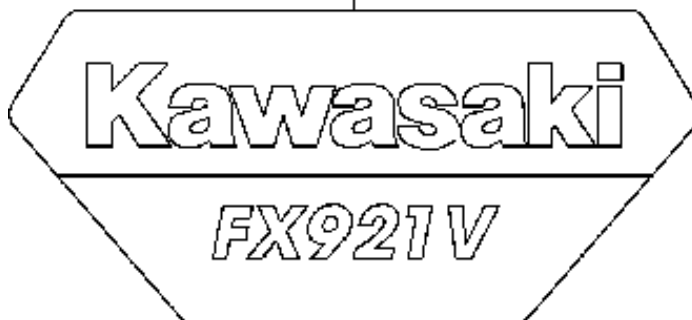
56033



56071



56080

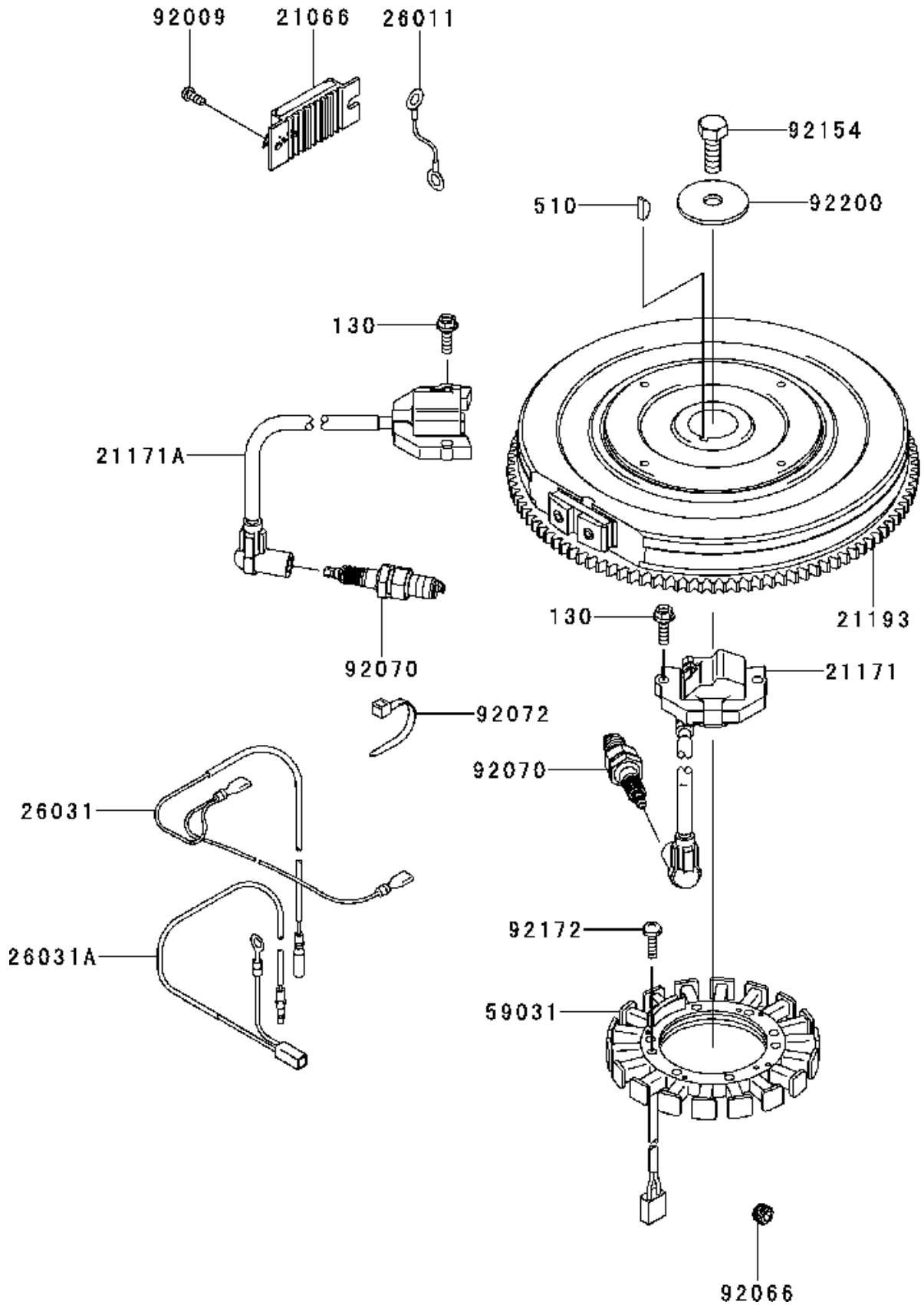


DECALS

KAWASAKI ENGINES, FX921V-ES06, 2017-09

Ref	Part No	Description	Remark	QTY KIT
56014	591 45 74-62	DECAL	EMBLEM	1
56033	577 58 45-01	LABEL	LABEL-MANUAL	1
56071	586 59 43-01	LABEL	LABEL-WARNING	1
56080	591 45 75-14	LABEL	LABEL-BRAND	2

E0160-B807B

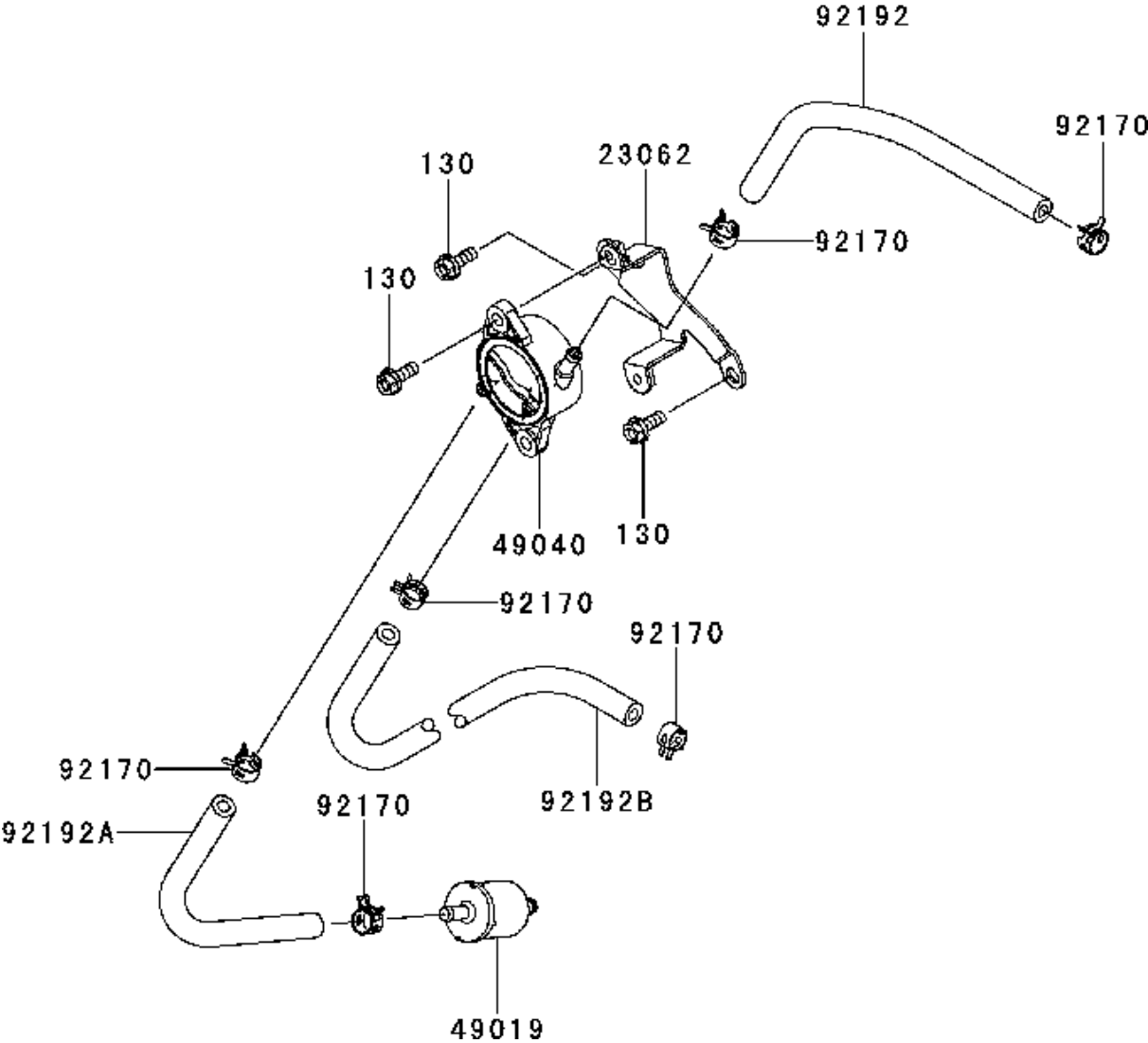


ELECTRICAL

KAWASAKI ENGINES, FX921V-ES06, 2017-09

Ref	Part No	Description	Remark	QTY KIT
130	577 58 28-01	BOLT	BOLT-FLANGED,6X20	4
21066	591 45 75-58	REGULATOR	REGULATOR-VOLTAGE	1
21171	591 45 74-46	COIL	COIL-ASSY-IGNITION	1
21171A	586 52 50-02	COIL	COIL-ASSY-IGNITION	1
21193	591 45 74-66	FLYWHEEL	FLYWHEEL-ASSY	1
26011	591 45 76-35	WIRE	WIRE-LEAD	1
26031	577 57 00-01	HARNESS	HARNESS	1
26031A	577 57 01-01	HARNESS	HARNESS	1
510	502 81 16-01	WOODRUFF KEY	WOODRUFF KEY	1
59031	577 57 02-01	COIL	COIL-CHARGING 15AMP	1
92009	920 09 23-08	SCREW	SCREW	2
92066	586 62 16-01	PLUG	PLUG	1
92070	592 73 97-55	SPARK PLUG	PLUG- SPARK,BPR5ES(NGK)	2
92072	577 57 04-01	BAND	BAND	3
92154	577 57 05-01	BOLT	BOLT,12X30	1
92172	577 57 06-01	SCREW	SCREW,5X20	4
92200	577 57 07-01	WASHER	WASHER,12.2X46X3	1

E0200-A896E

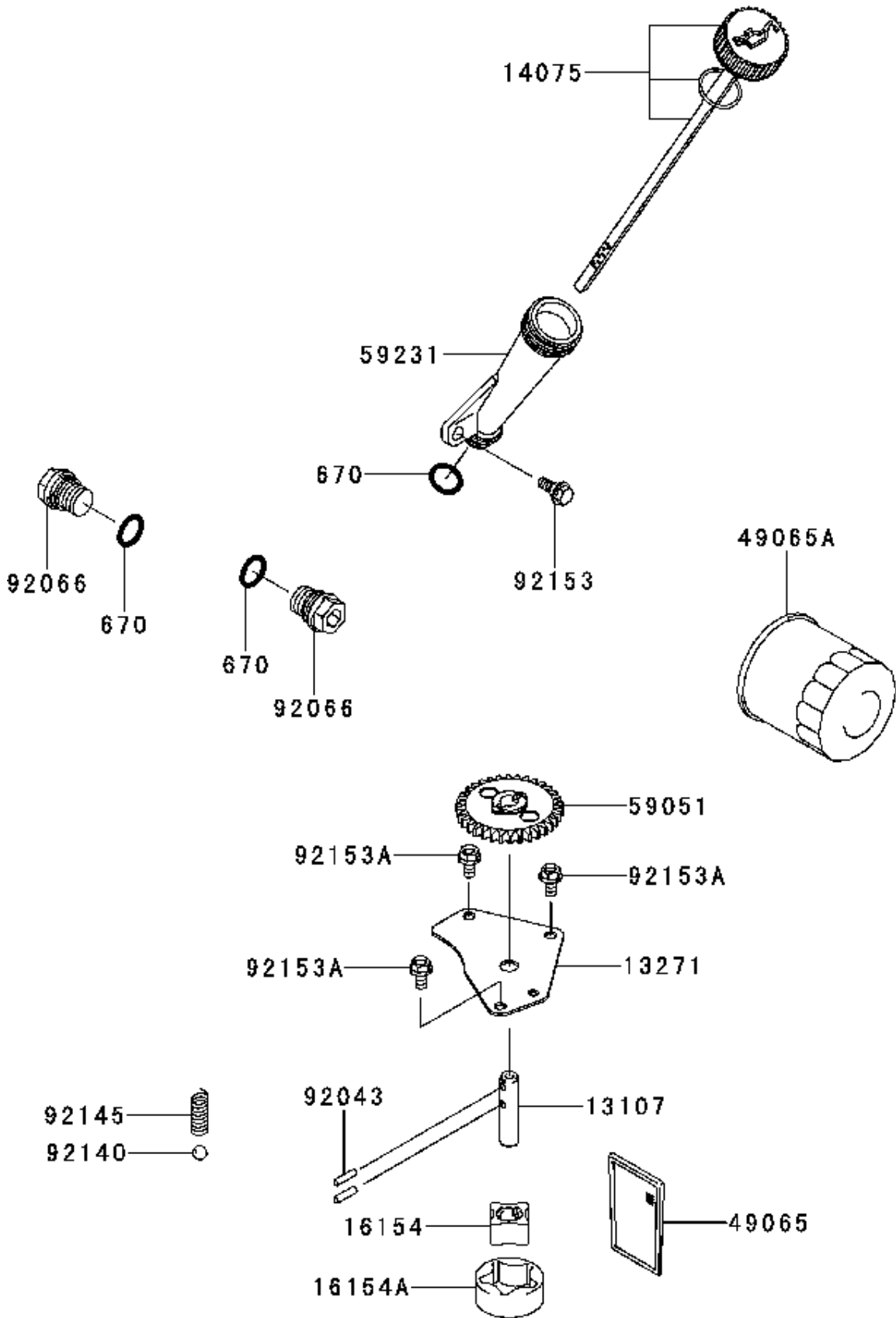


FUEL VALVE

KAWASAKI ENGINES, FX921V-ES06, 2017-09

Ref	Part No	Description	Remark	QTY KIT
130	591 45 74-15	BOLT	BOLT-FLANGED,6X16	4
23062	577 58 18-01	BRACKET	BRACKET-COMP	1
49019	582 54 12-01	FUEL FILTER	FILTER-FUEL	1
49040	577 58 19-01	PUMP	PUMP-FUEL	1
92170	921 70 20-88	CLAMP	CLAMP	6
92192	591 45 76-21	TUBE	TUBE,6.35X12.7X230	1
92192A	591 45 76-20	TUBE	TUBE,6.35X12.7X185	1
92192B	577 58 23-01	TUBE	TUBE,6.4X12.7X318	1

E0140-A472A

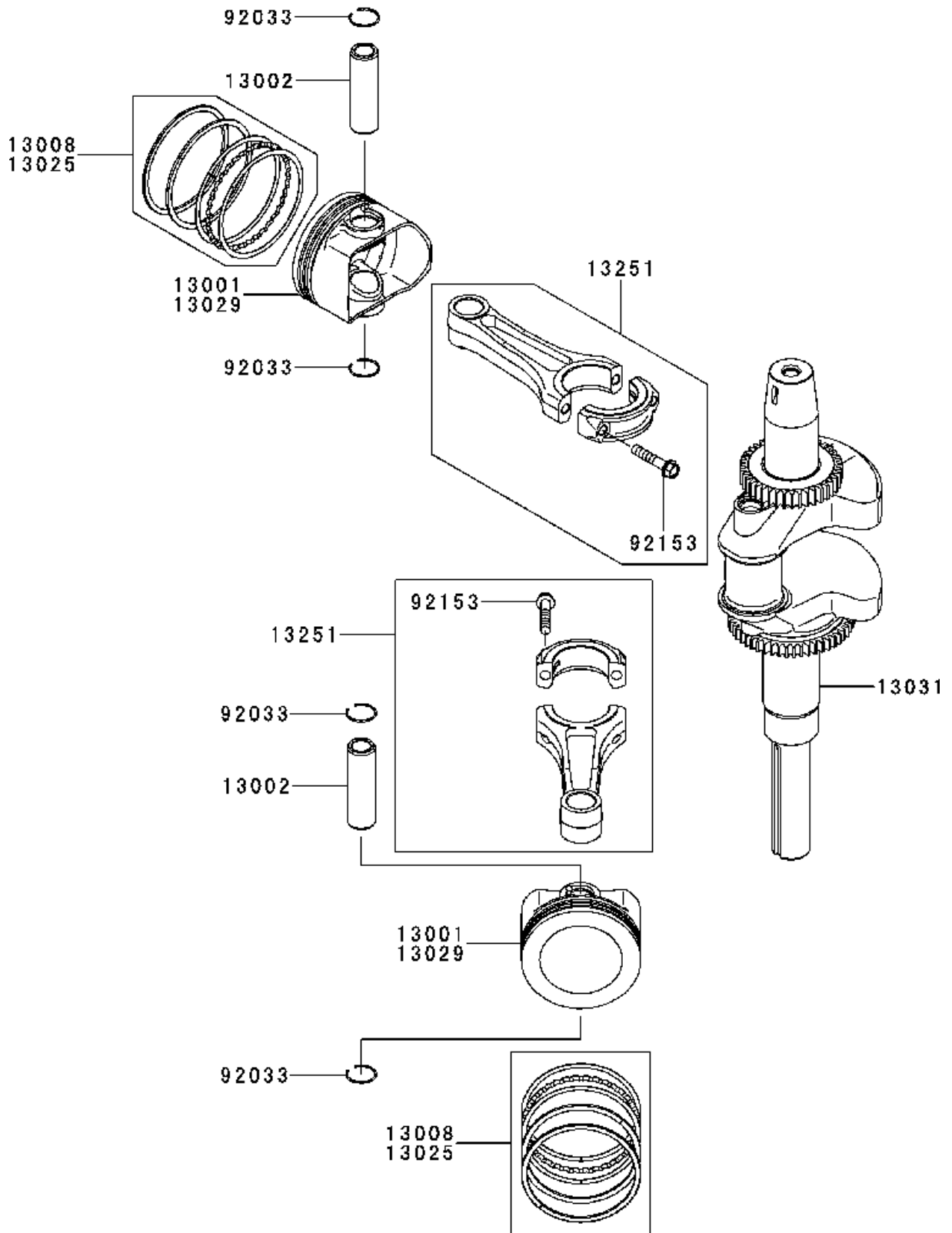


LUBRICATION

KAWASAKI ENGINES, FX921V-ES06, 2017-09

Ref	Part No	Description	Remark	QTY KIT
13107	592 73 97-19	SHAFT	SHAFT,OIL PUMP	1
13271	577 56 70-01	PLATE	PLATE,ROTOR-PUMP	1
14075	591 45 74-28	CAP	CAP-ASSY	1
16154	161 54 70-07	ROTOR PUMP-IN	ROTOR-PUMP,IN	1
16154A	161 54 70-08	ROTOR PUMP-OUT	ROTOR-PUMP,OUT	1
49065	490 65 70-04	FILTER OIL	FILTER-OIL	1
49065A	576 81 05-01	AIR FILTER	FILTER-OIL	1
59051	577 56 72-01	GEAR	GEAR-SPUR,OIL-PUMP	1
59231	577 56 73-01	FILLER	FILLER	1
670	502 82 90-01	O-RING	O RING	3
92043	920 43 70-03	PEN	PIN	2
92066	591 45 75-54	PLUG	PLUG	2
92140	921 40 70-03	BALL	BALL	1
92145	577 56 74-01	SPRING	SPRING	1
92153	921 53 70-07	BOLT	BOLT,RECOIL STARTER	1
92153A	577 58 20-01	BOLT	BOLT,6X12	3

E0120-A504A

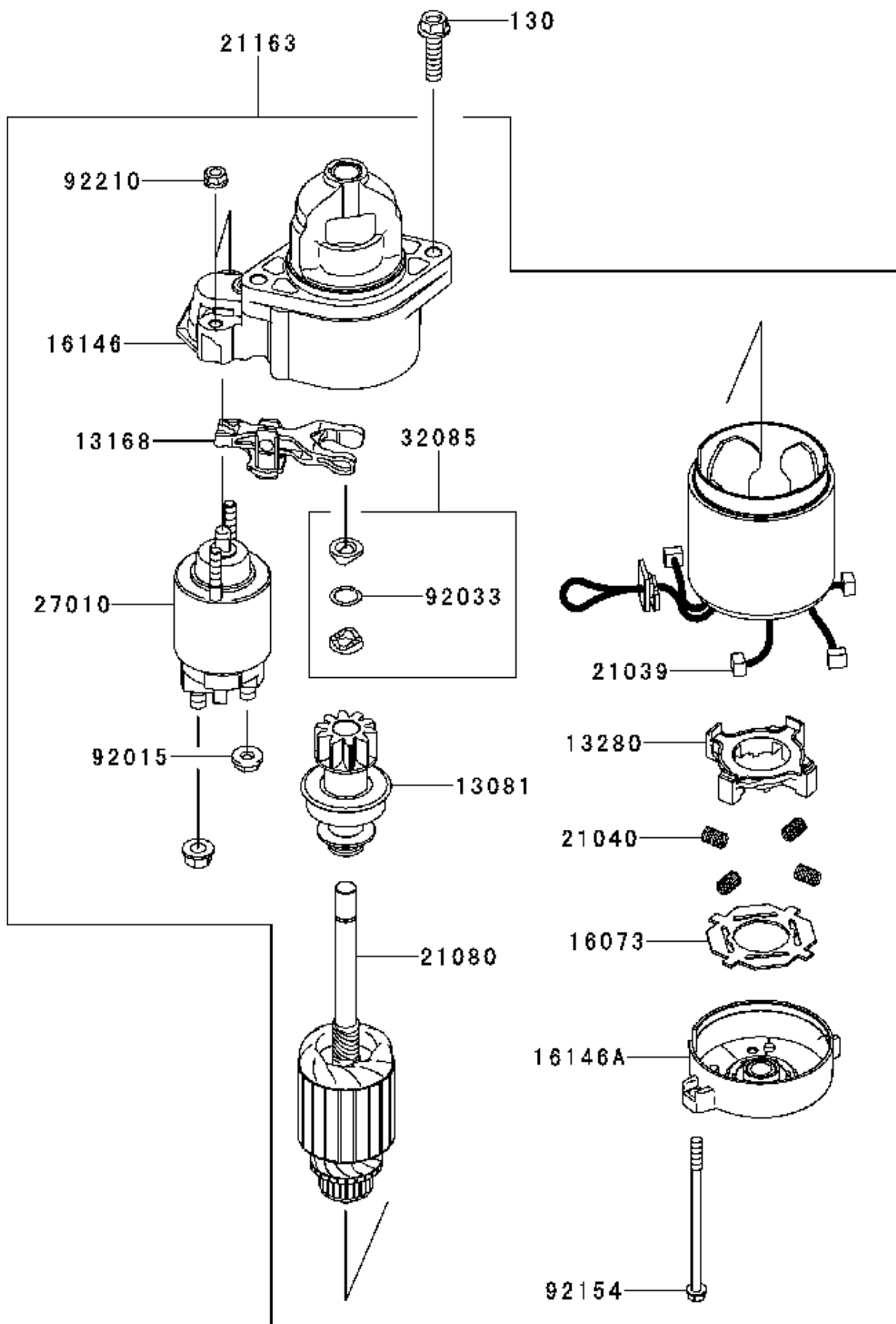


PISTON & CRANKSHAFT

KAWASAKI ENGINES, FX921V-ES06, 2017-09

Ref	Part No	Description	Remark	QTY KIT
13001	591 45 75-47	PISTON	PISTON-ENGINE	2
13002	577 56 33-01	PEN	PIN-PISTON	2
13008	591 45 75-62	RING	RING-SET-PISTON	2
13025	591 45 75-64	RING	RING-SET-PISTON L0.5	
13029	591 45 75-49	PISTON	PISTON-ENGINE L0.5	
13031	592 73 97-18	CRANKSHAFT	CRANKSHAFT-COMP	1
13251	591 45 75-70	ROD	ROD-ASSY-CONNECTING	2
92033	591 45 75-67	RING	RING-SNAP	4
92153	577 56 41-01	BOLT	BOLT	4

E0210-A732C

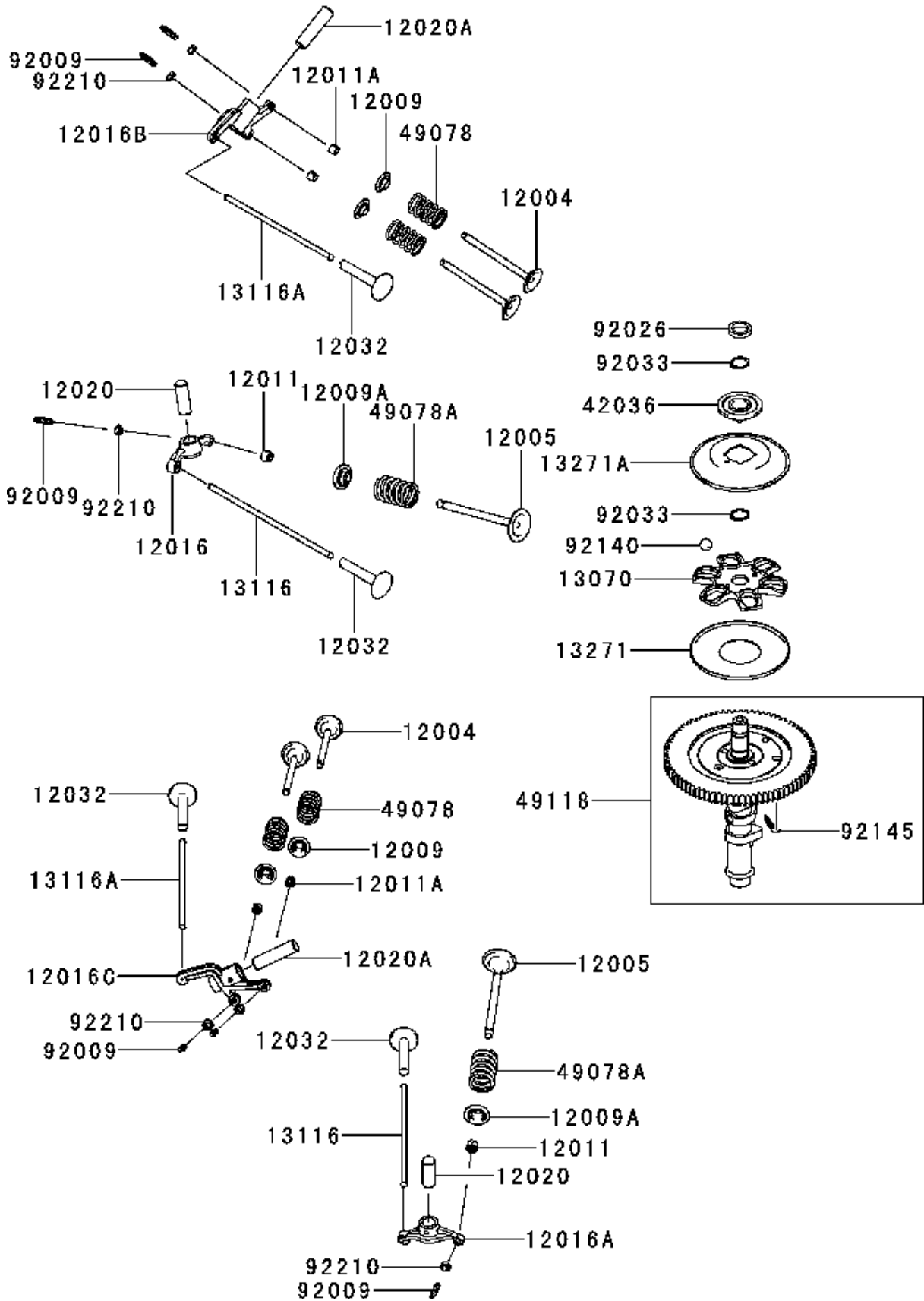


STARTER

KAWASAKI ENGINES, FX921V-ES06, 2017-09

Ref	Part No	Description	Remark	QTY KIT
13081	577 58 29-01	CLUTCH	CLUTCH-ASSY	1
130	591 45 74-20	BOLT	BOLT-FLANGED,8X30	2
13168	577 58 30-01	LEVER	LEVER	1
13280	130 91 20-68	HOLDER	HOLDER-BRUSH	1
16073	577 58 31-01	INSULATOR	INSULATOR	1
16146	577 58 33-01	COVER	COVER-ASSY	1
16146A	577 58 32-01	COVER	COVER ASSY	1
21039	210 39 20-59	BRUSH	BRUSH	4
21040	210 40 20-52	SPRING	SPRING-BRUSH	4
21080	577 58 35-01	SHAFT	ARMATURE	1
21163	592 73 97-52	STARTER	KIT,STARTER-ELECTRIC	1
27010	577 58 37-01	SWITCH	SWITCH	1
32085	577 58 38-01	STOPPER	STOPPER	1
92015	577 58 41-01	NUT	NUT	1
92033	577 20 93-01	RING	RING-SNAP	1
92154	577 58 39-01	BOLT	BOLT	2
92210	577 58 40-01	NUT	NUT	2

E0130-A233G



VALVE & CAMSHAFT

KAWASAKI ENGINES, FX921V-ES06, 2017-09

Ref	Part No	Description	Remark	QTY KIT
12004	577 56 42-01	VALVE	VALVE-INTAKE	4
12005	591 45 76-27	VALVE	VALVE-EXHAUST	2
12009	120 09 70-01	RETAINER	RETAINER-VALVE SPRING	4
12009A	577 56 46-01	VALVE	RETAINER-VALVE SPRING	2
12011	577 56 49-01	COLLET	COLLET	4
12011A	120 11 20-56	COLLET	COLLET	8
12016	591 45 74-06	ARM	ARM-ROCKER,#1,EX	1
12016A	591 45 74-07	ARM	ARM-ROCKER,#2,EX	1
12016B	577 56 50-01	ARM	ARM-ROCKER,#1,IN	1
12016C	577 56 51-01	ARM	ARM-ROCKER,#2,IN	1
12020	592 73 97-15	SHAFT	SHAFT-ROCKER,EX	2
12020A	592 73 97-14	SHAFT	SHAFT-ROCKER,IN	2
12032	577 56 57-01	TAPPET	TAPPET	4
13070	130 70 70-04	GUIDE	GUIDE	1
13116	591 45 75-74	ROD	ROD-PUSH	2
13116A	591 45 75-75	ROD	ROD-PUSH	2
13271	132 71 70-07	PLATE	PLATE	1
13271A	132 71 70-21	PLATE	PLATE	1
42036	577 56 61-01	SLEEVE	SLEEVE	1
49078	577 56 62-01	SPRING	SPRING-ENGINE VALVE,I	4
49078A	577 56 63-01	SPRING	SPRING-ENGINE VALVE,E	2
49118	591 45 74-26	CAMSHAFT	CAMSHAFT-COMP	1
92009	577 56 65-01	SCREW	SCREW,VALVE ADJUST	6
92026	591 45 76-06	SPACER	SPACER	1
92033	586 62 17-01	RING	RING-SNAP	2
92140	577 56 68-01	BALL	BALL	6
92145	591 45 76-11	SPRING	SPRING	1
92210	591 45 75-34	NUT	NUT,VALVE ADJUST LOCK	6