

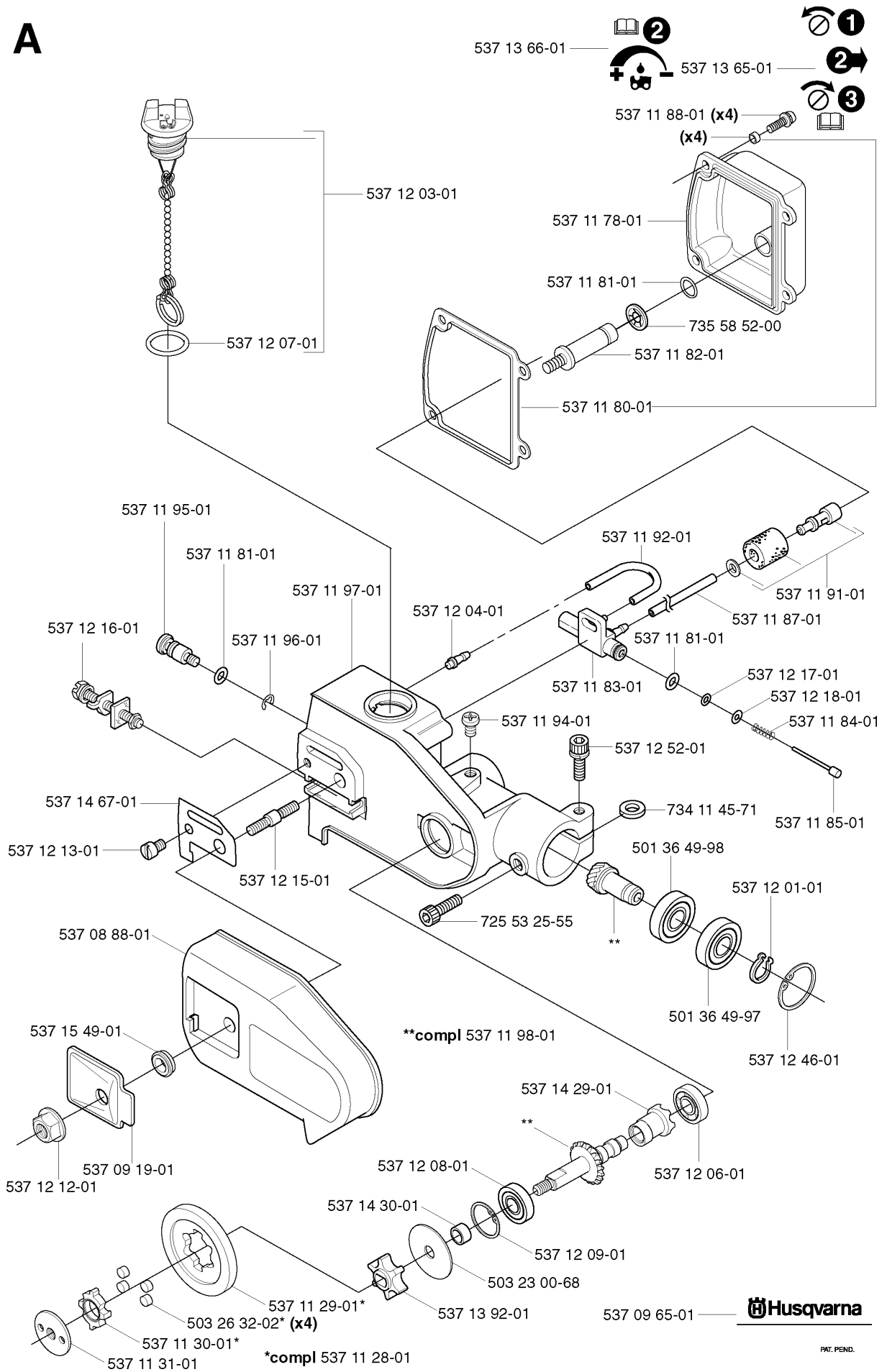


SPARE PARTS LIST

POLE PRUNER/POLE SAWS

326P 4 SAW ATTACHMENT, 2002-05

A

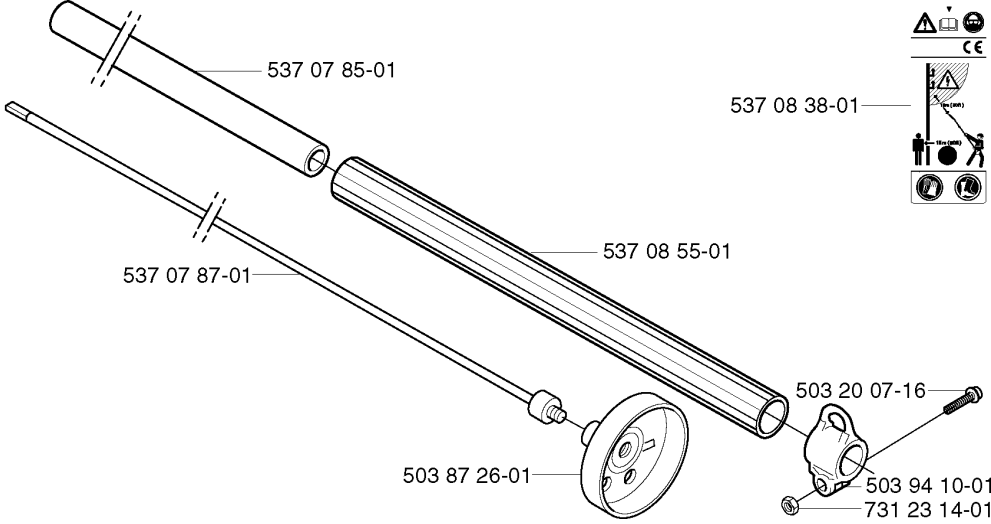


DRILL

326P 4 SAW ATTACHMENT, 2002-05

Part No	Description	Remark	QTY KIT
501 36 49-97	BEARING		1
501 36 49-98	BEARING		1
503 23 00-68	WASHER		1
503 26 32-02	O-RING		4
537 08 88-01	COVER		1
537 09 19-01	SPRING		1
537 09 65-01	LABEL		1
537 11 28-01	DAMPING PIECE		1
537 11 29-01	DAMPING PIECE		1
537 11 30-01	DAMPING PIECE		1
537 11 31-01	DAMPING PIECE		1
537 11 78-01	HUB CAP		1
537 11 80-01	GASKET KIT		1
537 11 81-01	O-RING		1
537 11 81-01	O-RING		1
537 11 81-01	O-RING		1
537 11 82-01	SCREW		1
537 11 83-01	OIL PUMP ASSY		1
537 11 84-01	SPRING		1
537 11 85-01	PUMP PISTON		1
537 11 87-01	FUEL HOSE		1
537 11 88-01	SCREW		4
537 11 91-01	FILTER		1
537 11 92-01	FUEL HOSE		1
537 11 94-01	SCREW		1
537 11 95-01	ADJUSTER		1
537 11 96-01	STOP		1
537 11 97-01	HOUSING		1
537 11 98-01	PISTON		1
537 12 01-01	STOP		1
537 12 03-01	TANK CAP ASSY		1
537 12 04-01	BANJO		1
537 12 06-01	BALL BEARING		1
537 12 07-01	O-RING		1
537 12 08-01	BALL BEARING		1
537 12 09-01	STOP		1
537 12 12-01	NUT		1
537 12 13-01	PEN		1
537 12 15-01	SCREW		1
537 12 16-01	CHAIN TENSIONER		1
537 12 17-01	O-RING		1
537 12 18-01	WASHER		1
537 12 46-01	CIRCLIP		1
537 12 52-01	SCREW		1
537 13 65-01	LABEL		1
537 13 66-01	LABEL		1
537 13 92-01	RIM SPROCKET		1
537 14 29-01	ECCENTRIC		1
537 14 30-01	SPACER		1
537 14 67-01	CHAIN GUIDE PLATE		1
537 15 49-01	BUSHING		1
725 53 25-55	SCREW IHSCM		1
734 11 45-71	WASHER		1
735 58 52-00	WASHER		1

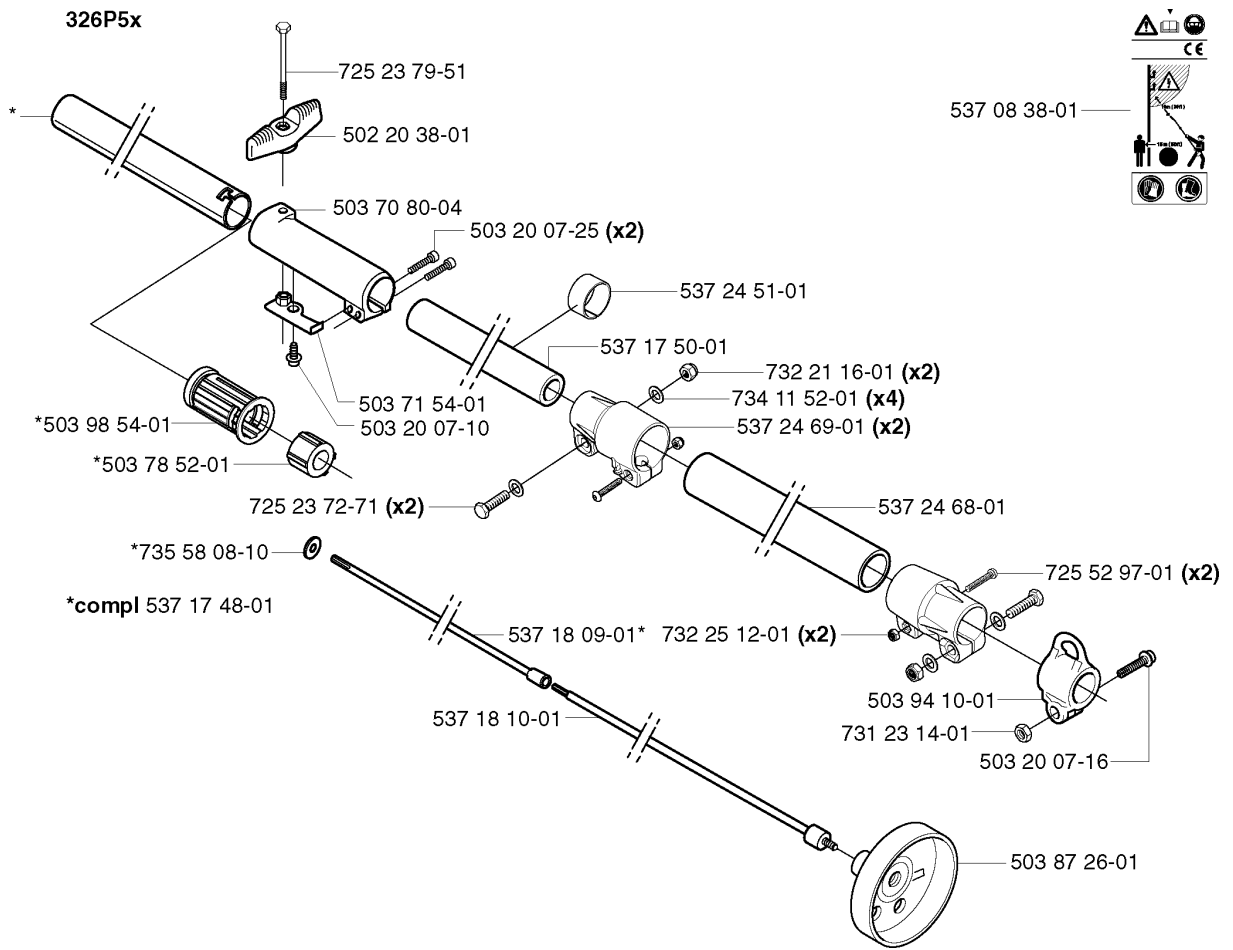
B 326P4, 326P4x



SHAFT

326P 4 SAW ATTACHMENT, 2002-05

Part No	Description	Remark	QTY KIT
503 20 07-16	SCREW IHSCFM		1
503 87 26-01	CLUTCH DRUM ASSY		1
503 94 10-01	HOOK		1
537 07 85-01	TUBE		1
537 07 87-01	DRIVE SHAFT		1
537 08 38-01	LABEL		1
537 08 55-01	HANDLE		1
731 23 14-01	HEXAGON NUT		1

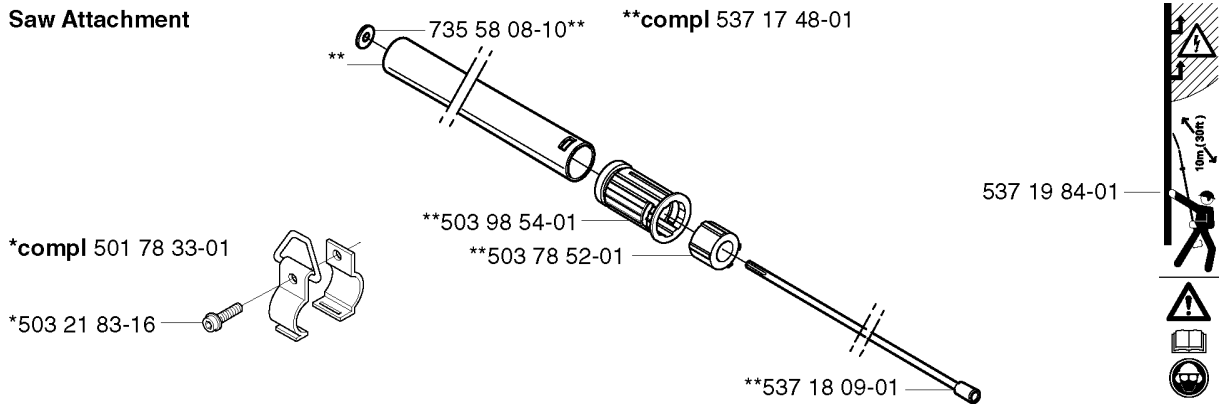


SHAFT

326P 4 SAW ATTACHMENT, 2002-05

Part No	Description	Remark	QTY KIT
502 20 38-01	KNOB		1
503 20 07-10	SCREW IHSCFM		1
503 20 07-16	SCREW IHSCFM		1
503 20 07-25	SCREW IHSCFM		2
503 70 80-04	COMPRESSION SLEEVE		1
503 71 54-01	LOCKING PLATE		1
503 78 52-01	SUPPORTING BEARING		1
503 87 26-01	CLUTCH DRUM ASSY		1
503 94 10-01	HOOK		1
503 98 54-01	BEARING CAGE		1
537 08 38-01	LABEL		1
537 17 48-01	TUBE		1
537 17 50-01	TUBE		1
537 18 09-01	DRIVE SHAFT		1
537 18 10-01	DRIVE SHAFT		1
537 24 51-01	SPACER		1
537 24 68-01	PIPE		1
537 24 69-01	SLEEVE		2
725 23 72-71	SCREW EHHM		2
725 23 79-51	SCREW EHHM		1
725 52 97-01	SCREW IHSCM		2
731 23 14-01	HEXAGON NUT		1
732 21 16-01	LOCK NUT		2
732 25 12-01	HEXAGON LOCKING NUT		2
734 11 52-01	WASHER		4
735 58 08-10	LOCKWASHER		1

Saw Attachment

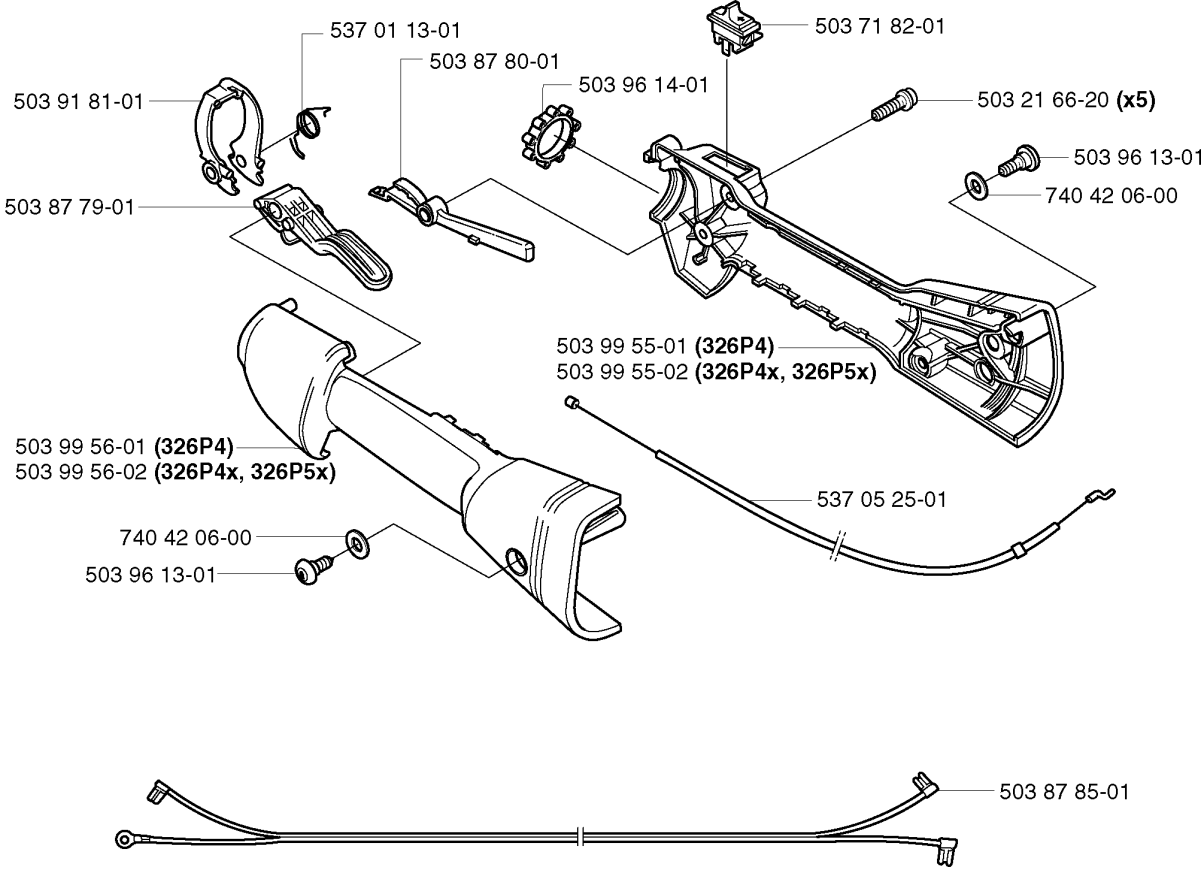


SHAFT

326P 4 SAW ATTACHMENT, 2002-05

Part No	Description	Remark	QTY KIT
501 78 33-01	SUSPENSION BAIL		1
503 21 83-16	SCREW		1
503 78 52-01	SUPPORTING BEARING		1
503 98 54-01	BEARING CAGE		1
537 17 48-01	TUBE		1
537 18 09-01	DRIVE SHAFT		1
537 19 84-01	LABEL		1
735 58 08-10	LOCKWASHER		1

C

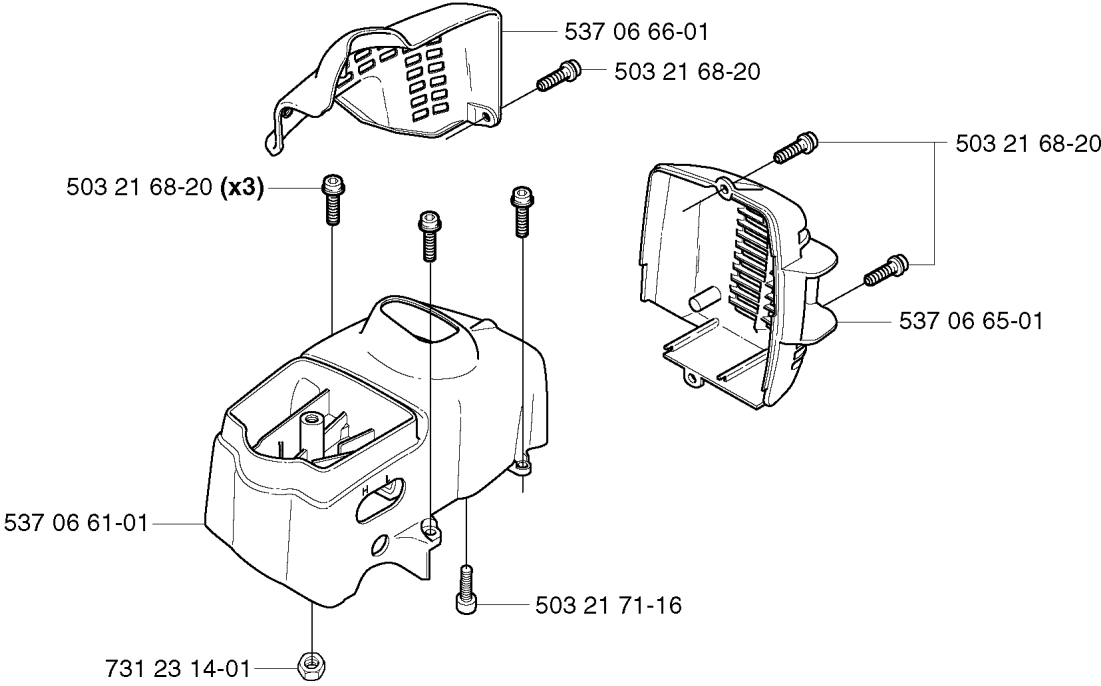


HANDLE & CONTROLS

326P 4 SAW ATTACHMENT, 2002-05

Part No	Description	Remark	QTY KIT
503 21 66-20	SCREW IHSCT		5
503 71 82-01	SWITCH		1
503 87 79-01	THROTTLE TRIGGER		1
503 87 80-01	THROTTLE LOCKOUT		1
503 87 85-01	SHORT CIRCUIT CABLE		1
503 91 81-01	THROTTLE LEVER		1
503 96 13-01	SCREW		1
503 96 13-01	SCREW		1
503 96 14-01	ABSORBER		1
503 99 55-01	HANDLE HALF	326P4	1
503 99 55-02	HANDLE HALF	326P4X, 326P5X	1
503 99 56-01	HANDLE HALF	326P4	1
503 99 56-02	HANDLE HALF	326P4X, 326P5X	1
537 01 13-01	RECOIL SPRING		1
537 05 25-01	THROTTLE WIRE ASSY		1
740 42 06-00	O-RING		1
740 42 06-00	O-RING		1

D

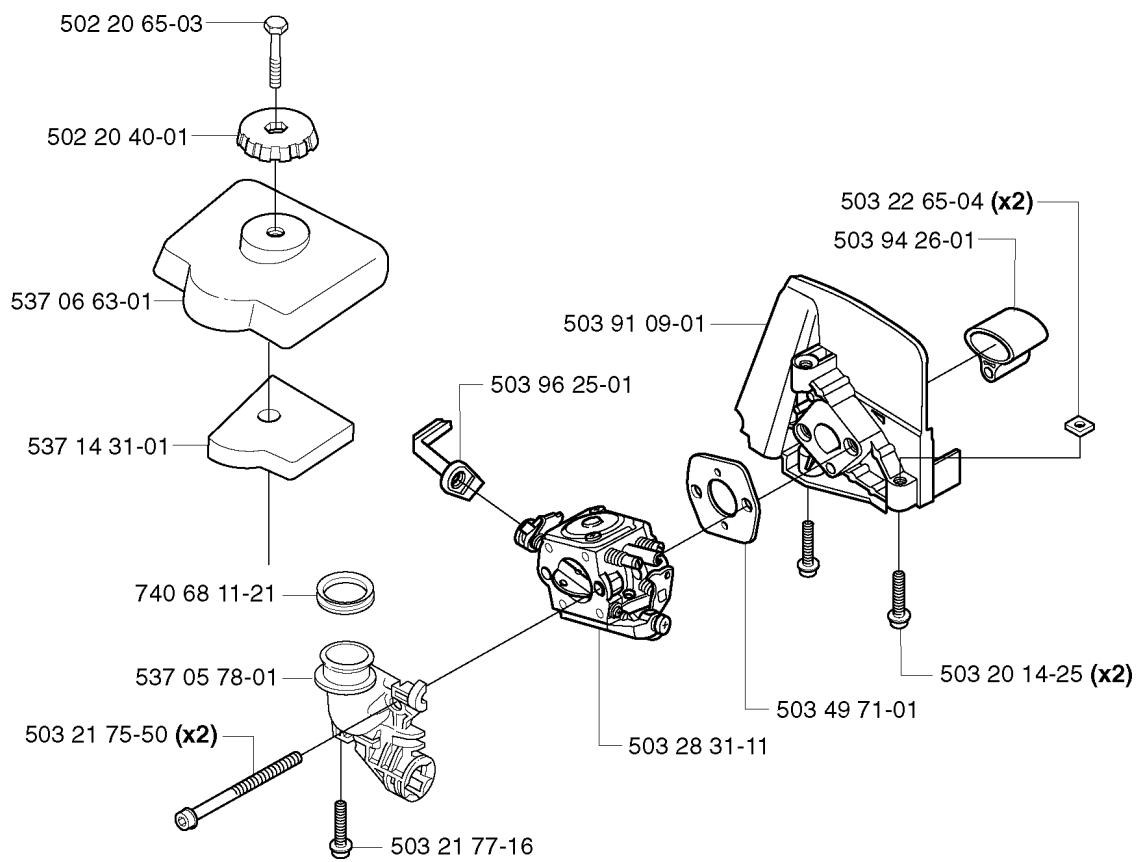


CYLINDER COVER

326P 4 SAW ATTACHMENT, 2002-05

Part No	Description	Remark	QTY KIT
503 21 68-20	SCREW IHSCFT		3
503 21 68-20	SCREW IHSCFT		1
503 21 68-20	SCREW IHSCFT		1
503 21 71-16	SCREW IHSCFT		1
537 06 61-01	CYLINDER COVER		1
537 06 65-01	HEAT PROTECTOR		1
537 06 66-01	ARM PROTECTION		1
731 23 14-01	HEXAGON NUT		1

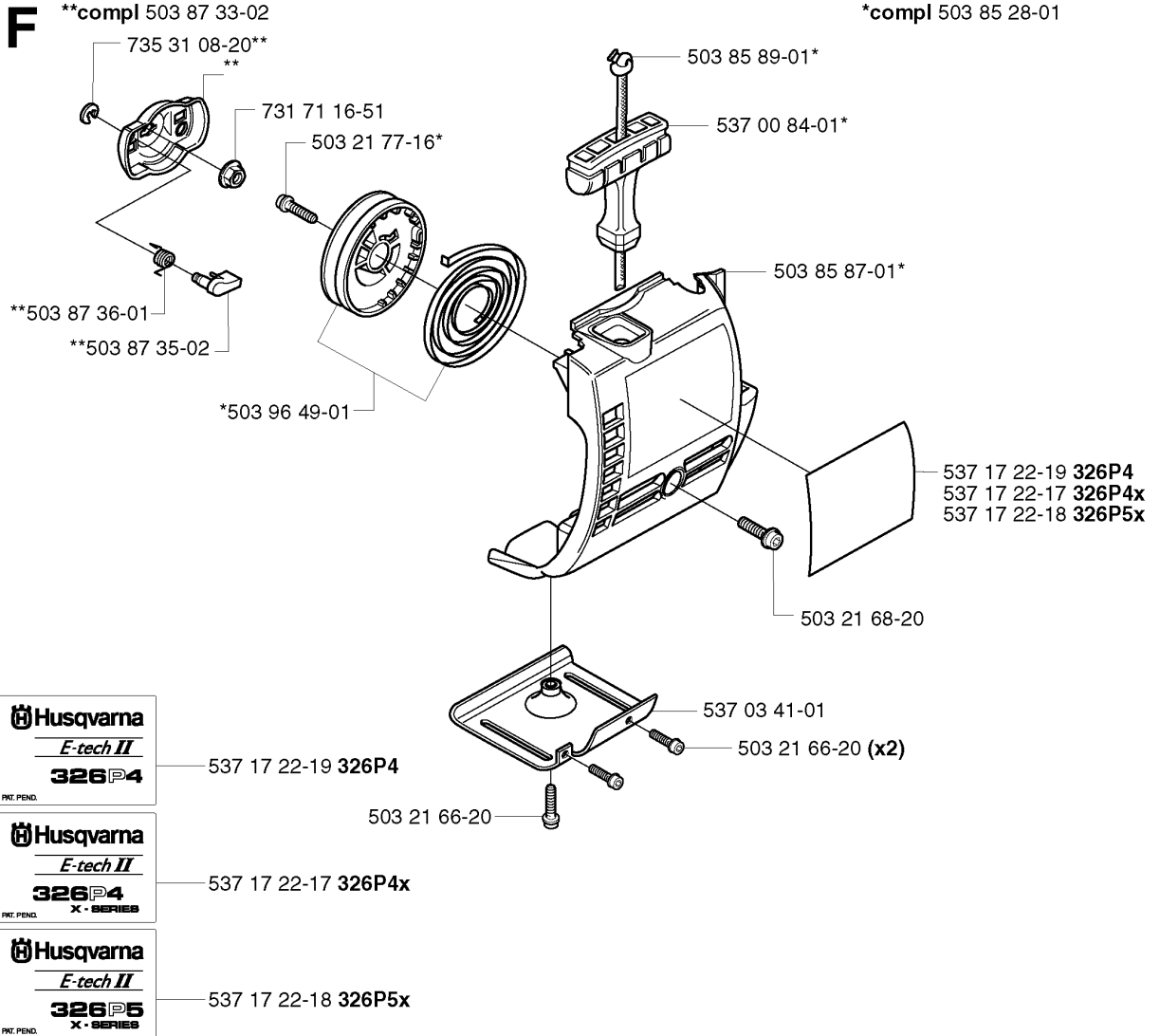
E



CARBURETOR & AIR FILTER

326P 4 SAW ATTACHMENT, 2002-05

Part No	Description	Remark	QTY KIT
502 20 40-01	KNOB		1
502 20 65-03	SCREW EHHM		1
503 20 14-25	SCREW IHSCFMO		2
503 21 75-50	SCREW IHSCFT		2
503 21 77-16	SCREW IHSCFT		1
503 22 65-04	SQUARE NUT		2
503 28 31-11	CARBURETTOR		1
503 49 71-01	GASKET		1
503 91 09-01	INSULATION WALL		1
503 94 26-01	INLET PIPE		1
503 96 25-01	CHOKE CONTROL		1
537 05 78-01	BRACKET		1
537 06 63-01	FILTER COVER		1
537 14 31-01	AIR FILTER ASSY		1
740 68 11-21	V-RING		1

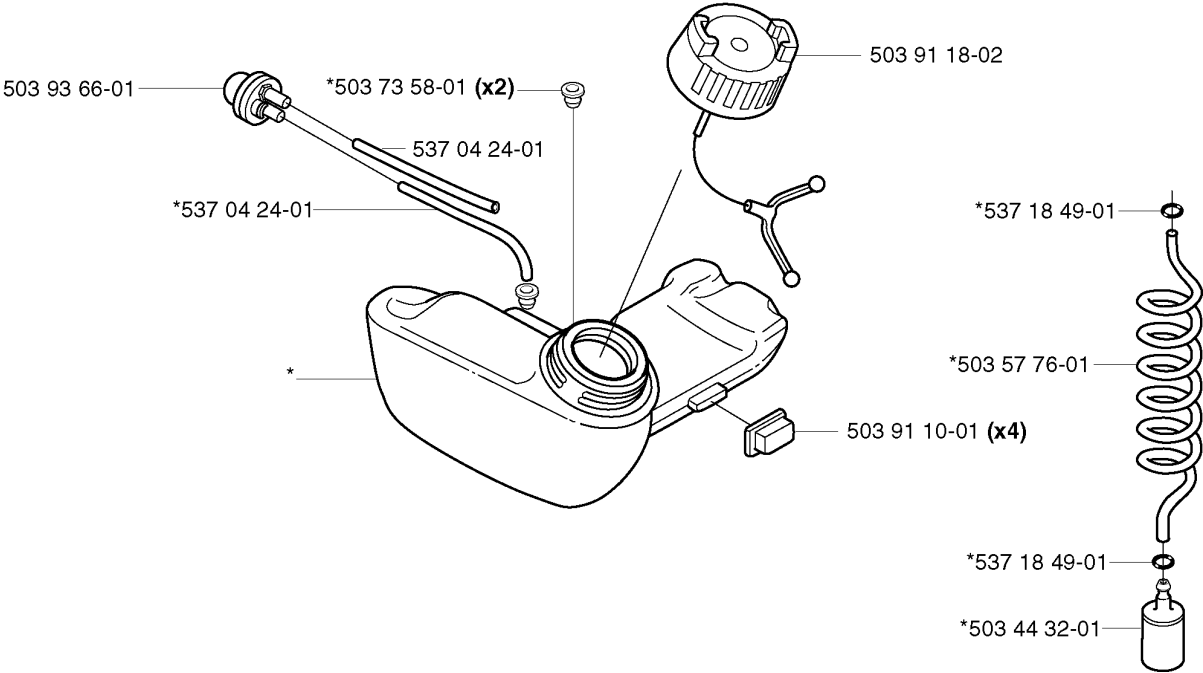


STARTER

326P 4 SAW ATTACHMENT, 2002-05

Part No	Description	Remark	QTY KIT
503 21 66-20	SCREW IHSC T		2
503 21 66-20	SCREW IHSC T		1
503 21 68-20	SCREW IHSC FT		1
503 21 77-16	SCREW IHSC T		1
503 85 28-01	STARTER ASSY		1
503 85 87-01	STARTER HOUSING		1
503 85 89-01	STARTER ROPE		1
503 87 33-02	BRIDGE		1
503 87 35-02	STARTER PAWL		1
503 87 36-01	SPRING		1
503 96 49-01	STARTER PULLEY		1
537 00 84-01	STARTER HANDLE		1
537 03 41-01	PROTECTIVE PLATE		1
537 17 22-17	LABEL	326P4X	1
537 17 22-17	LABEL	326P4X	1
537 17 22-18	LABEL	326P5X	1
537 17 22-18	LABEL	326P5X	1
537 17 22-19	LABEL	326P4	1
537 17 22-19	LABEL	326P4	1
731 71 16-51	HEXAGON NUT FLANGE		1
735 31 08-20	E-CLIP		1

G *compl 537 06 86-02

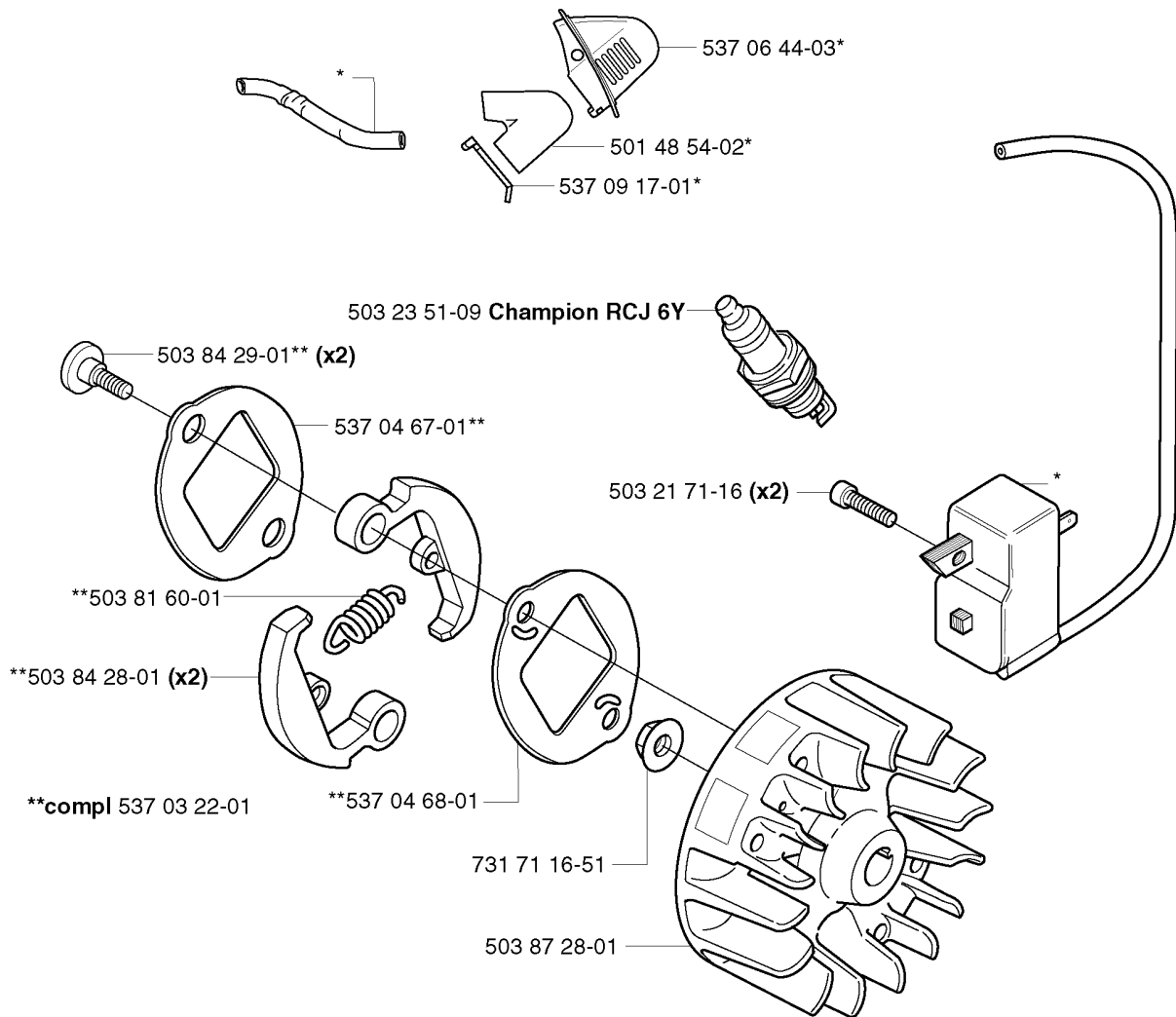


FUEL TANK

326P 4 SAW ATTACHMENT, 2002-05

Part No	Description	Remark	QTY KIT
503 44 32-01	FUEL FILTER		1
503 57 76-01	FUEL HOSE		1
503 73 58-01	BUSHING		2
503 91 10-01	SUSPENSION		4
503 91 18-02	TANK CAP		1
503 93 66-01	PURGE		1
537 04 24-01	FUEL HOSE		1
537 04 24-01	FUEL HOSE		1
537 06 86-02	FUEL TANK		1
537 18 49-01	O-RING		1
537 18 49-01	O-RING		1

H * compl 537 04 23-01



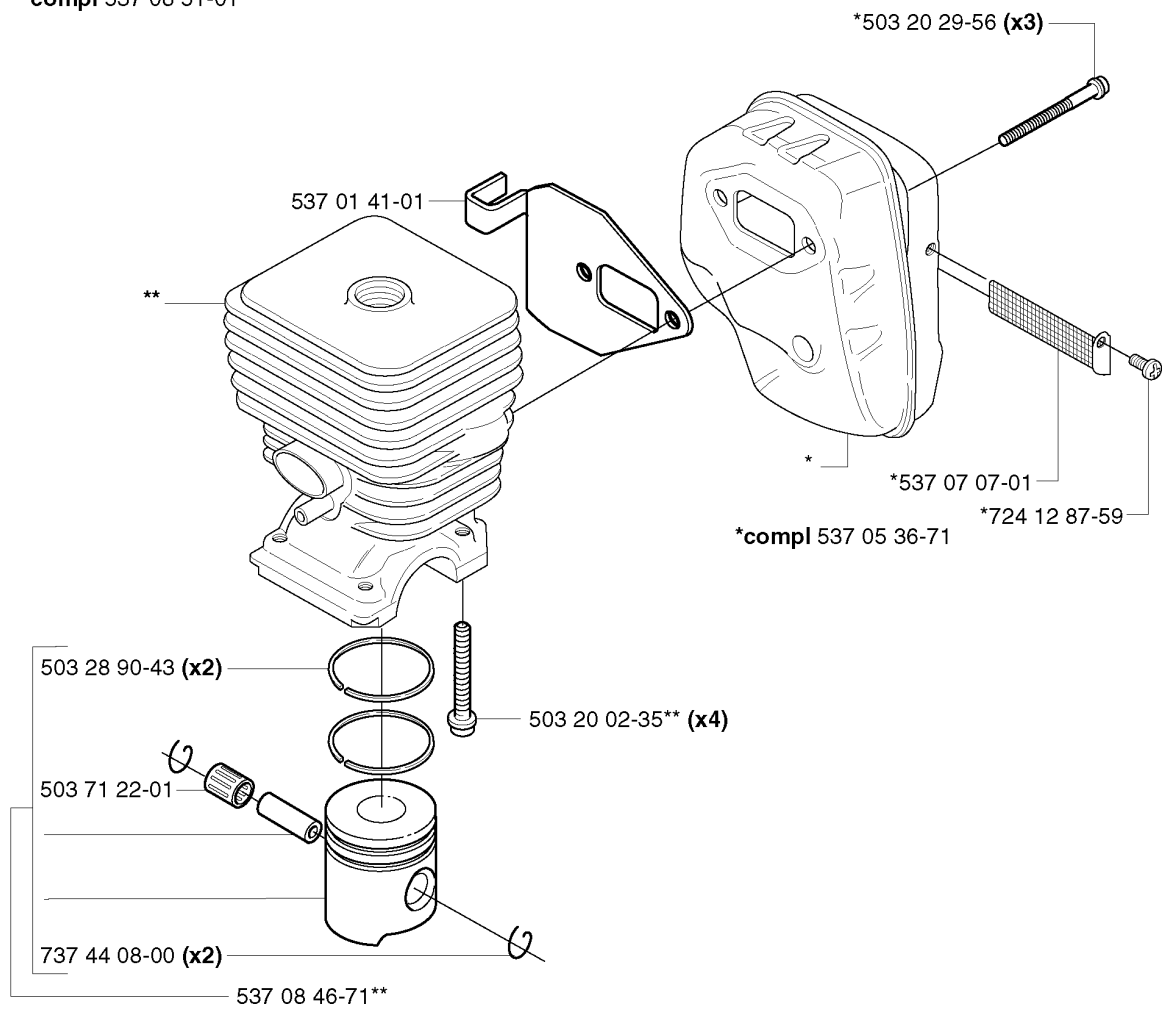
IGNITION SYSTEM

326P 4 SAW ATTACHMENT, 2002-05

Part No	Description	Remark	QTY KIT
501 48 54-02	SPARK PLUG CAP		1
503 21 71-16	SCREW IHSCT		2
503 23 51-09	SPARK PLUG	CHAMPION RCJ 6Y	1
503 81 60-01	CLUTCH SPRING		1
503 84 28-01	CLUTCH SHOE		2
503 84 29-01	SCREW		2
503 87 28-01	FLYWHEEL		1
537 03 22-01	CLUTCH ASSY		1
537 04 23-01	IGNITION MODULE		1
537 04 67-01	WASHER		1
537 04 68-01	WASHER		1
537 06 44-03	COVER		1
537 09 17-01	SECURING PLATE		1
731 71 16-51	HEXAGON NUT FLANGE		1

J

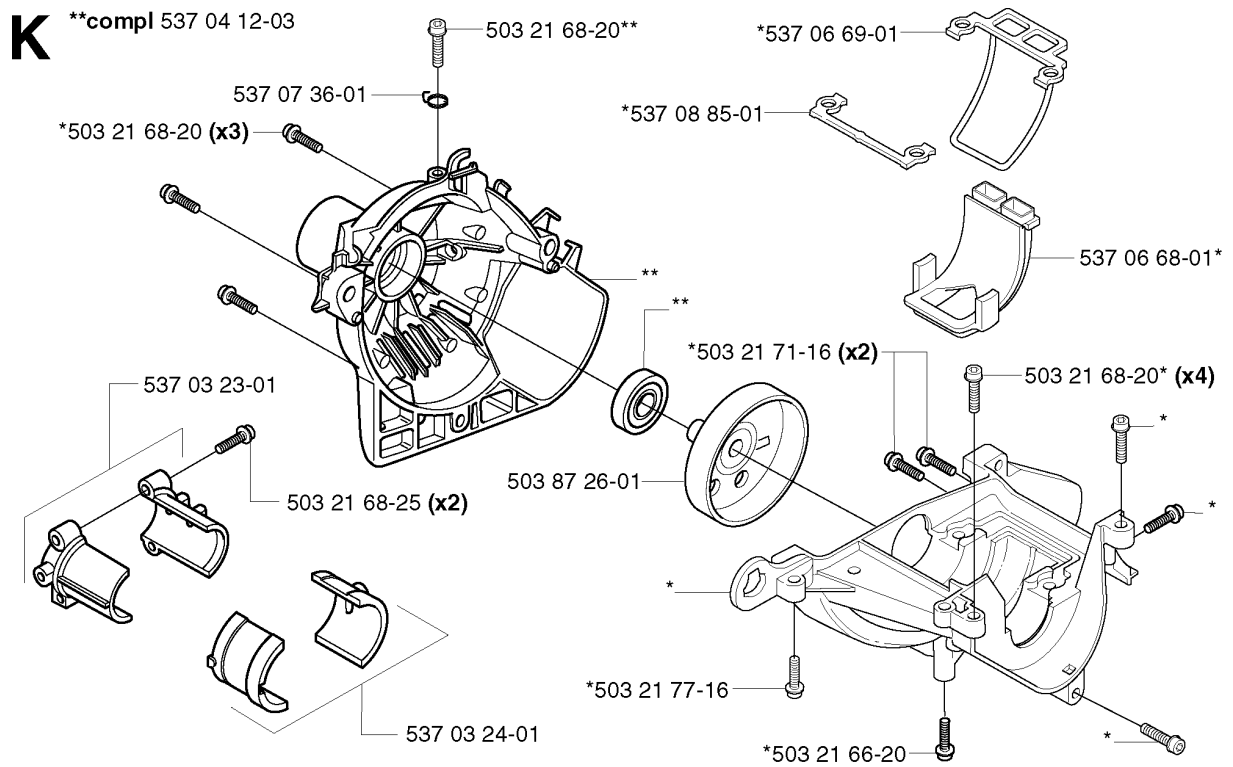
****compl 537 08 51-01**



CYLINDER PISTON

326P 4 SAW ATTACHMENT, 2002-05

Part No	Description	Remark	QTY KIT
503 20 02-35	SCREW IHSCFM		4
503 20 29-56	SCREW IHSCFM		3
503 28 90-43	PISTON RING		2
503 71 22-01	BEARING		1
537 01 41-01	GASKET		1
537 05 36-71	MUFFLER CAT		1
537 07 07-01	SPARK ARRESTER SCREEN		1
537 08 46-71	PISTON		1
537 08 51-01	PISTON		1
724 12 87-59	SCREW CRPANM		1
737 44 08-00	CIRCLIP		2



*compl 537 08 52-01

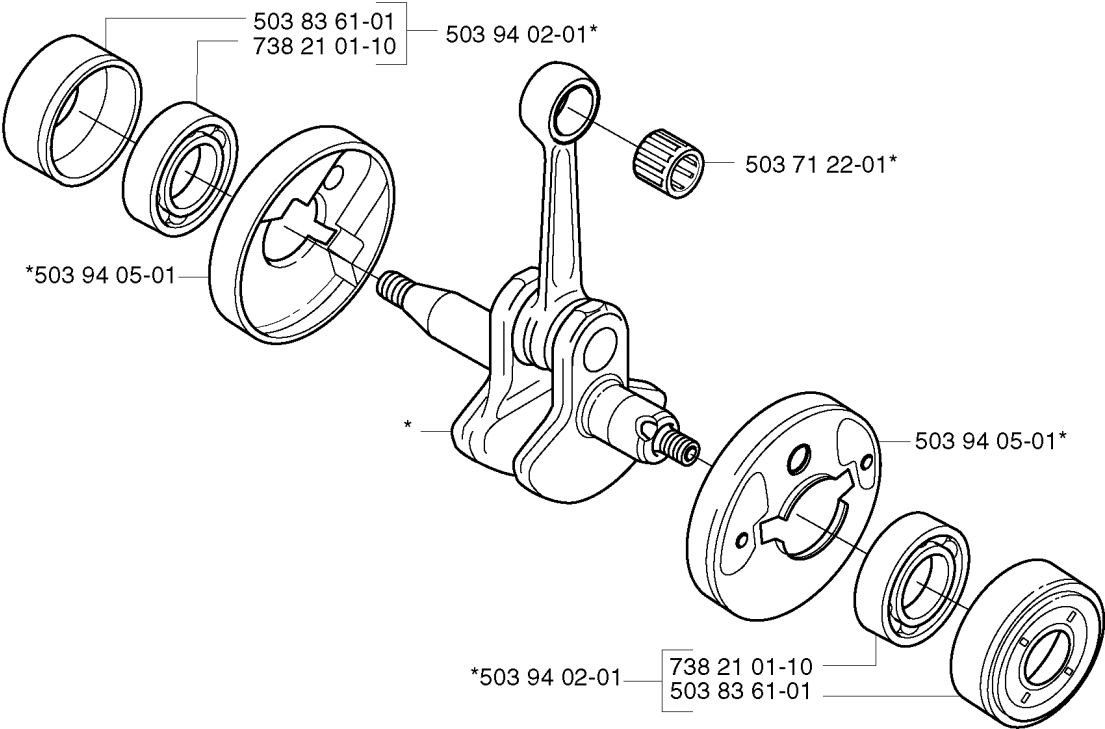
CRANKCASE

326P 4 SAW ATTACHMENT, 2002-05

Part No	Description	Remark	QTY KIT
503 21 66-20	SCREW IHSC T		1
503 21 68-20	SCREW IHSC FT		1
503 21 68-20	SCREW IHSC FT		4
503 21 68-20	SCREW IHSC FT		3
503 21 68-25	SCREW IHSC FT		2
503 21 71-16	SCREW IHSC T		2
503 21 77-16	SCREW IHSC T		1
503 87 26-01	CLUTCH DRUM ASSY		1
537 03 23-01	CLAMPING SLEEVE ASSY		1
537 03 24-01	INSULATOR		1
537 04 12-03	CLUTCH COVER		1
537 06 68-01	INSERT CRANKCASE		1
537 06 69-01	GASKET CRANKCASE		1
537 07 36-01	SPRING		1
537 08 52-01	CRANKCASE		1
537 08 85-01	GASKET		1



*compl 503 85 24-74



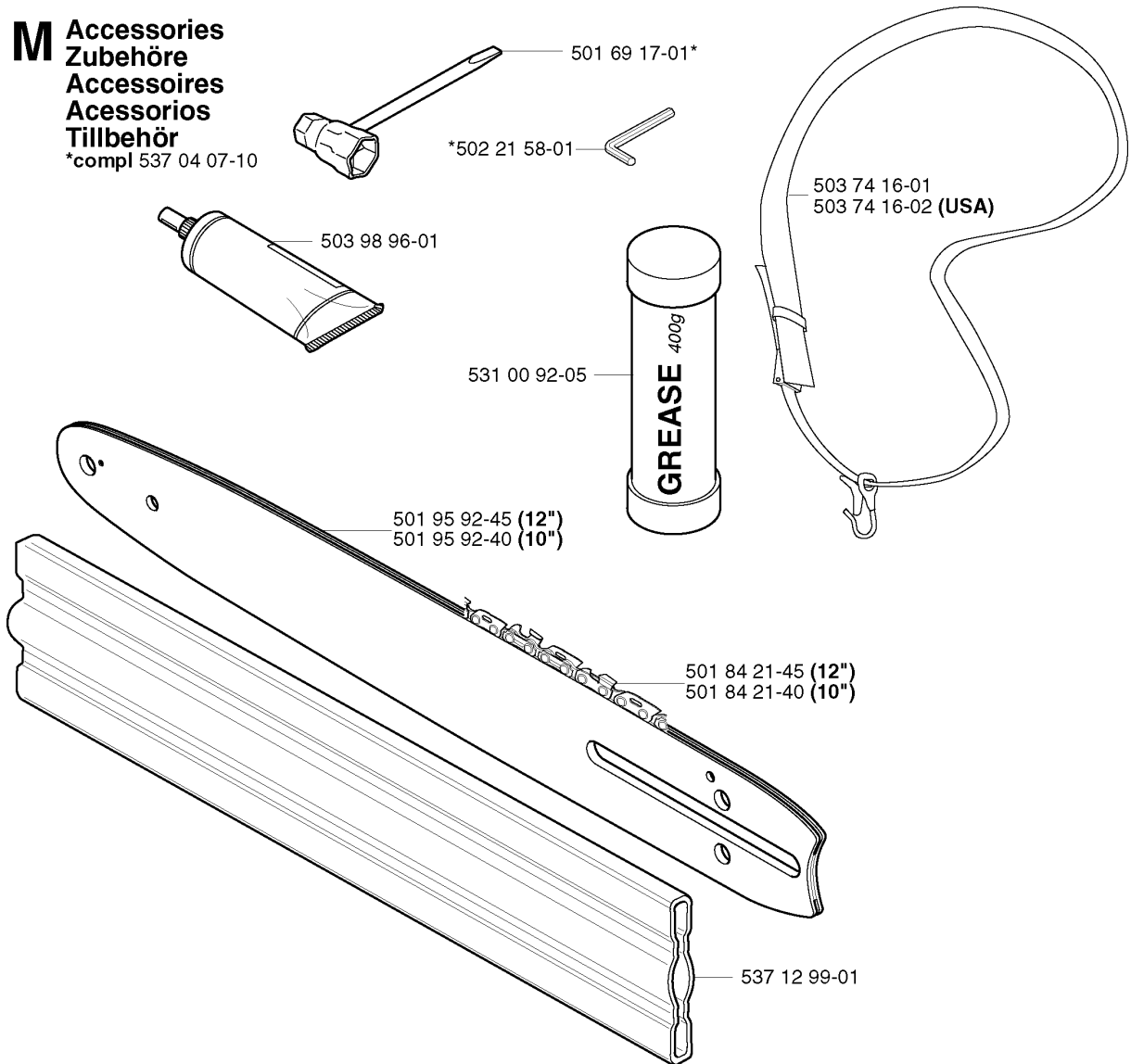
CRANKSHAFT

326P 4 SAW ATTACHMENT, 2002-05

Part No	Description	Remark	QTY KIT
503 71 22-01	BEARING		1
503 83 61-01	BEARING CAGE		1
503 83 61-01	BEARING CAGE		1
503 85 24-74	CRANKSHAFT ASSY		1
503 94 02-01	BEARING CAGE		1
503 94 02-01	BEARING CAGE		1
503 94 05-01	CUP		1
503 94 05-01	CUP		1
738 21 01-10	BALL BEARING		1
738 21 01-10	BALL BEARING		1

M Accessories
Zubehöre
Accessoires
Acessorios
Tillbehör

*compl 537 04 07-10



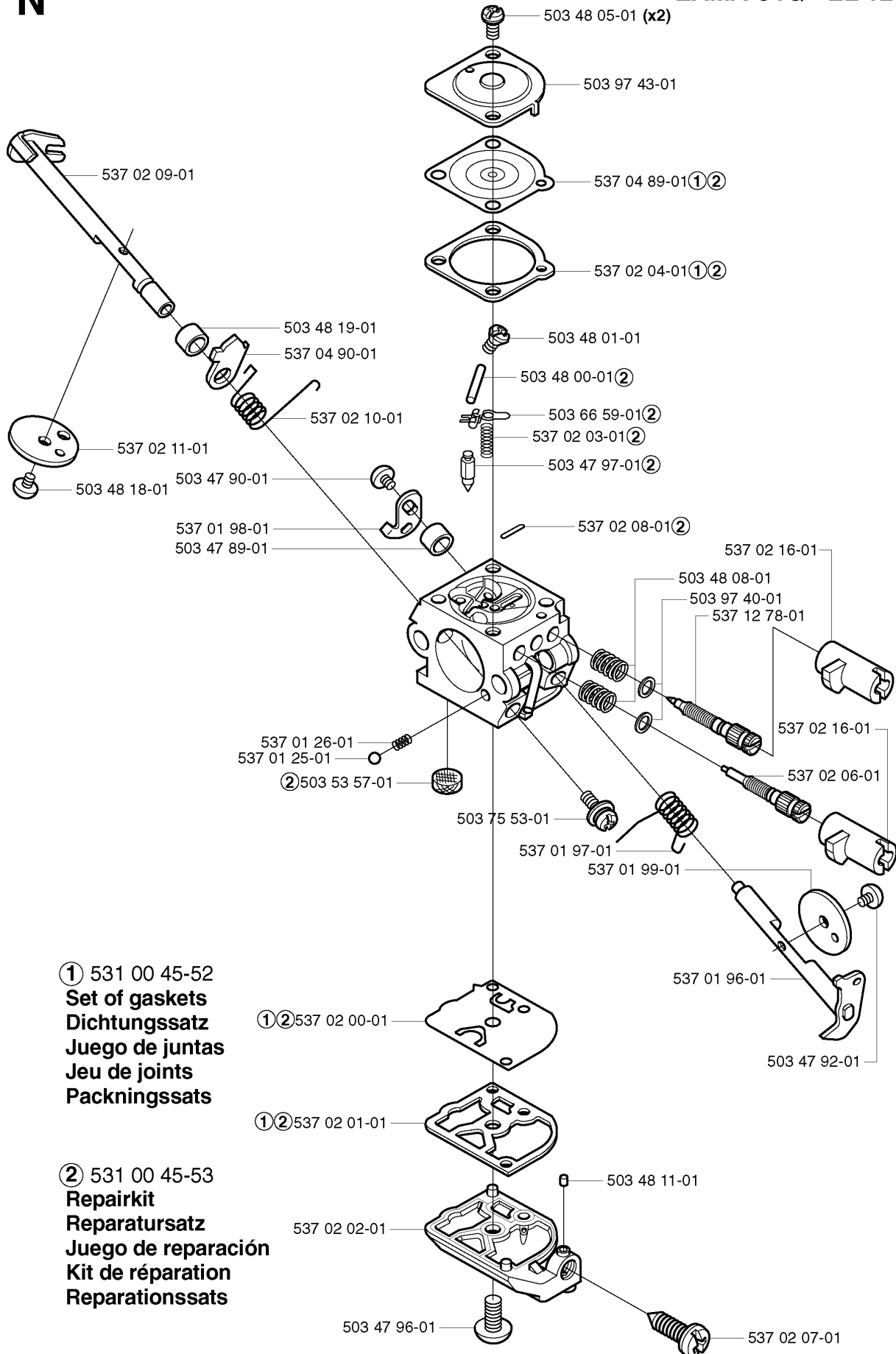
ACCESSORIES

326P 4 SAW ATTACHMENT, 2002-05

Part No	Description	Remark	QTY KIT
501 69 17-01	COMBINATION WRENCH		1
501 84 21-40	SAW CHAIN	10	1
501 84 21-45	SAW CHAIN	12	1
501 95 92-40	BAR	10	1
501 95 92-45	BAR	12	1
502 21 58-01	WRENCH		1
503 74 16-01	HARNESS ASSY		1
503 74 16-02	HARNESS ASSY	USA	1
503 98 96-01	GREASE		1
531 00 92-05	GREASE		1
537 04 07-10	ACCESSORY BAG		1
537 12 99-01	BAR GUARD		1

N compl 503 28 31-11

ZAMA C1Q - EL 12



① 531 00 45-52
Set of gaskets
Dichtungssatz
Juego de juntas
Jeu de joints
Packningssats

② 531 00 45-53
Repairkit
Reparaturatz
Juego de reparación
Kit de réparation
Reparationssats

CARBURETOR DETAILS

326P 4 SAW ATTACHMENT, 2002-05

Part No	Description	Remark	QTY KIT
503 28 31-11	CARBURETTOR		1
503 47 89-01	COLLAR		1
503 47 90-01	SCREW		1
503 47 92-01	SCREW		1
503 47 96-01	SCREW		1
503 47 97-01	VALVE	531 00 45-53 REPAIRKIT	1
503 48 00-01	PIN RETAINING SCREW	531 00 45-53 REPAIRKIT	1
503 48 01-01	SCREW		1
503 48 05-01	SCREW		2
503 48 08-01	SPRING		1
503 48 11-01	PIECE		1
503 48 18-01	SCREW		1
503 48 19-01	COLLAR		1
503 53 57-01	STRAINER	531 00 45-53 REPAIRKIT	1
503 66 59-01	LEVER	531 00 45-53 REPAIRKIT	1
503 75 53-01	SCREW		1
503 97 40-01	WASHER		1
503 97 43-01	COVER		1
537 01 25-01	BALL		1
537 01 26-01	SPRING		1
537 01 96-01	SHAFT ASSY		1
537 01 97-01	SPRING		1
537 01 98-01	LEVER		1
537 01 99-01	VALVE		1
537 02 00-01	DIAPHRAGM PUMP	531 00 45-52 SET OF GASKETS 531 00 45-53 REPAIRKIT	1
537 02 01-01	GASKET	531 00 45-52 SET OF GASKETS 531 00 45-53 REPAIRKIT	1
537 02 02-01	COVER		1
537 02 03-01	SPRING	531 00 45-53 REPAIRKIT	1
537 02 04-01	GASKET	531 00 45-52 SET OF GASKETS 531 00 45-53 REPAIRKIT	1
537 02 06-01	SCREW		1
537 02 07-01	SCREW		1
537 02 08-01	PLUG	531 00 45-53 REPAIRKIT	1
537 02 09-01	SHAFT ASSY		1
537 02 10-01	SPRING		1
537 02 11-01	VALVE		1
537 02 16-01	LIMITER CAP		1
537 02 16-01	LIMITER CAP		1
537 04 89-01	DIAPHRAGM	531 00 45-52 SET OF GASKETS 531 00 45-53 REPAIRKIT	1
537 04 90-01	LEVER		1
537 12 78-01	SCREW		1