

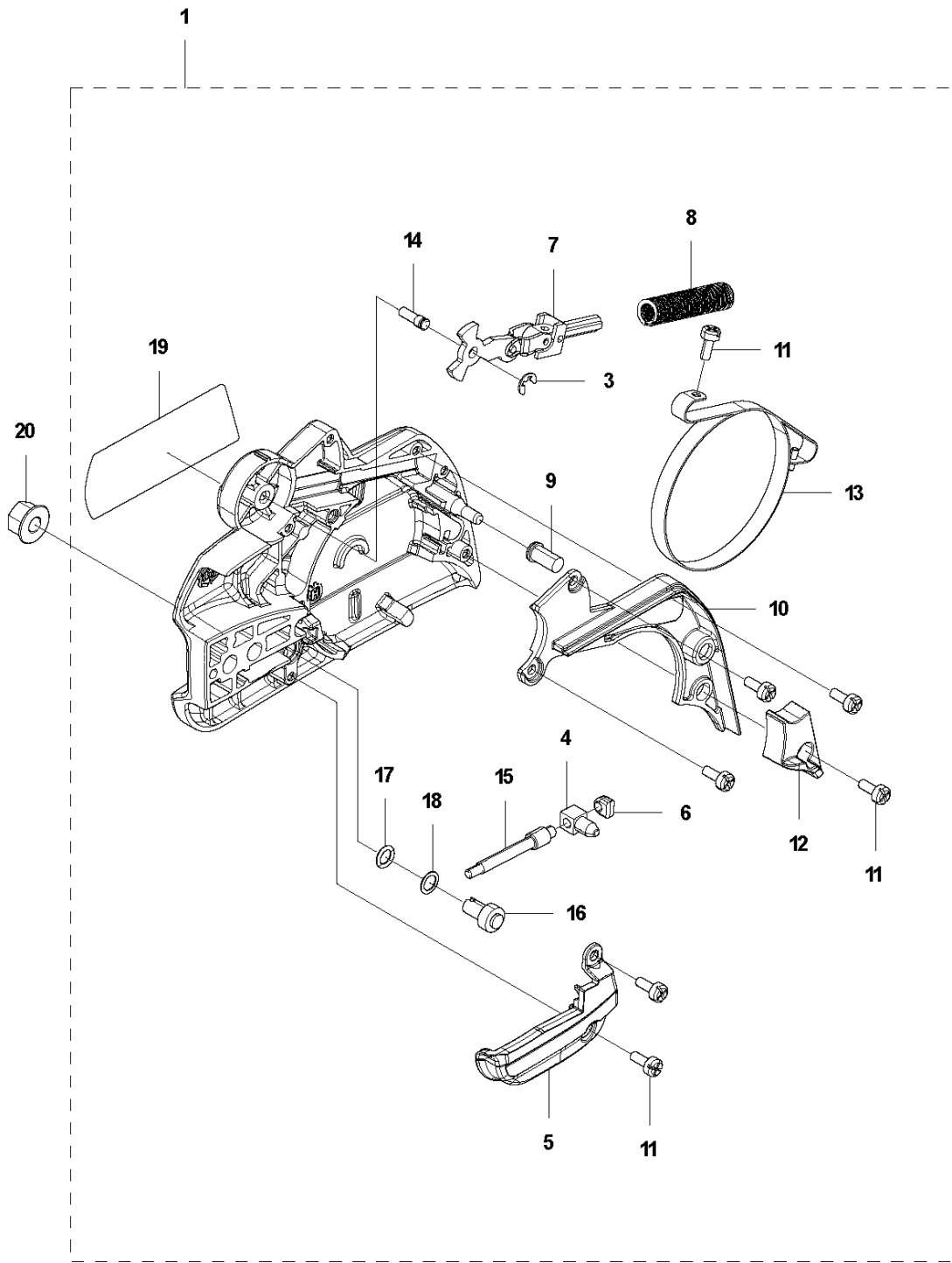


# SPARE PARTS LIST

CHAIN SAWS

455 Rancher II

**A** 455 Rancher II  
CHAIN BRAKE

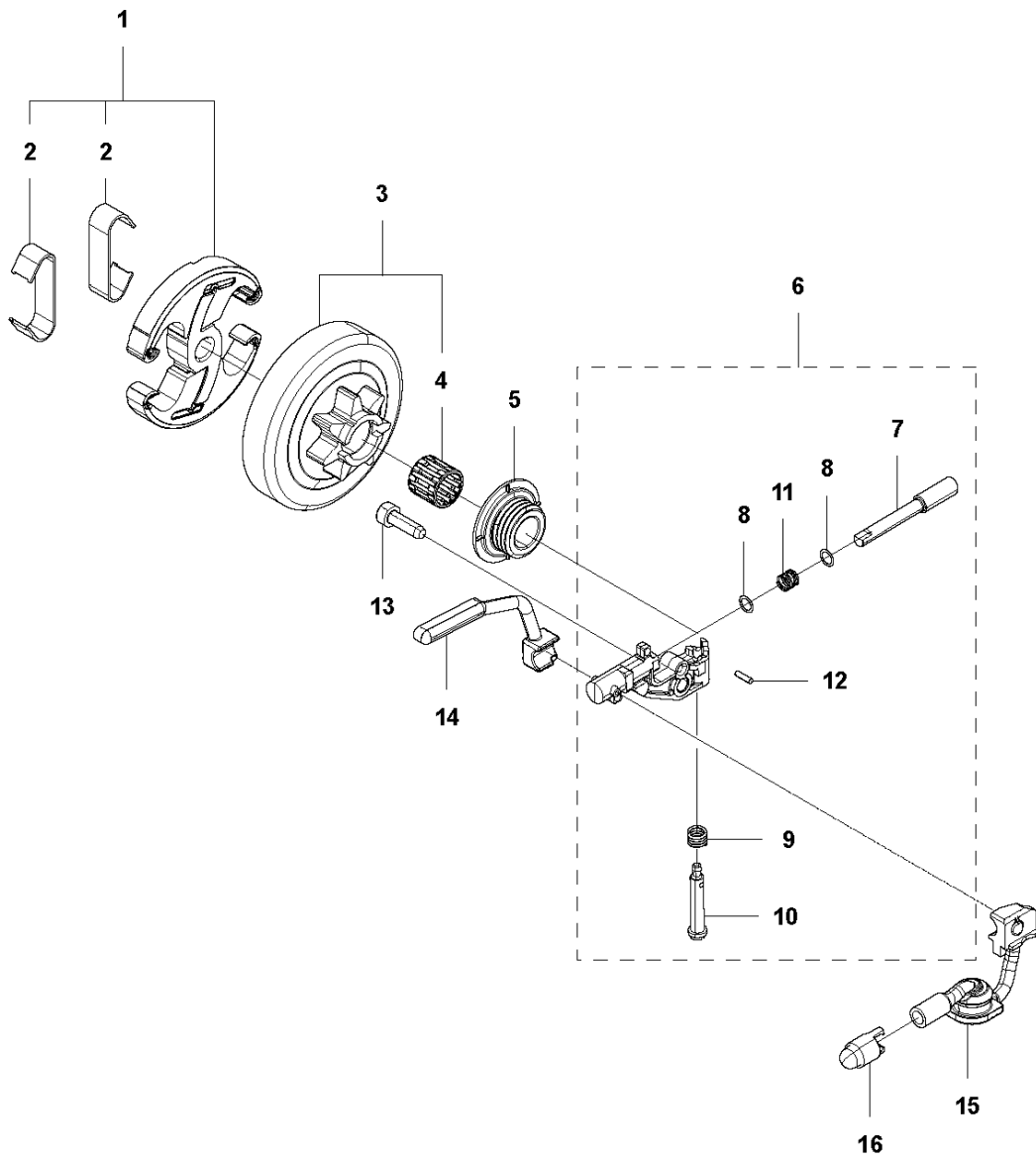


## CHAIN BRAKE

455 Rancher II

Ref	Part No	Description	Remark	QTY	KIT
1	544 09 79-01	CLUTCH COVER ASSY		1	
3	735 31 08-20	E-CLIP		1	1
4	537 28 66-01	PAWL		1	1
5	540 06 33-01	CHAIN GUIDE		1	1
6	537 01 74-01	BEARING SLEEVE		1	1
7	503 89 08-02	KNEE JOINT ASSY		1	1
8	503 46 59-01	BRAKE SPRING		1	1
9	503 85 52-01	GUIDE BUSHING		1	1
10	544 08 29-01	COVER LID		1	1
11	503 21 70-10	SCREW CCRPANT		7	1
12	544 08 30-01	WEAR PROTECTION		1	1
13	537 04 30-01	BRAKE BAND ASSY		1	1
14	503 89 29-01	PIN KNEE-JOINT		1	1
15	537 39 70-01	WORM SCREW		1	1
16	537 07 94-02	WORM WHEEL		1	1
17	740 48 07-02	O-RING		1	1
18	503 23 00-63	WASHER		1	1
19	544 37 68-01	LABEL		1	1
20	503 22 00-01	HEXAGON NUT		1	

**B** 455 Rancher II  
CLUTCH & OIL PUMP

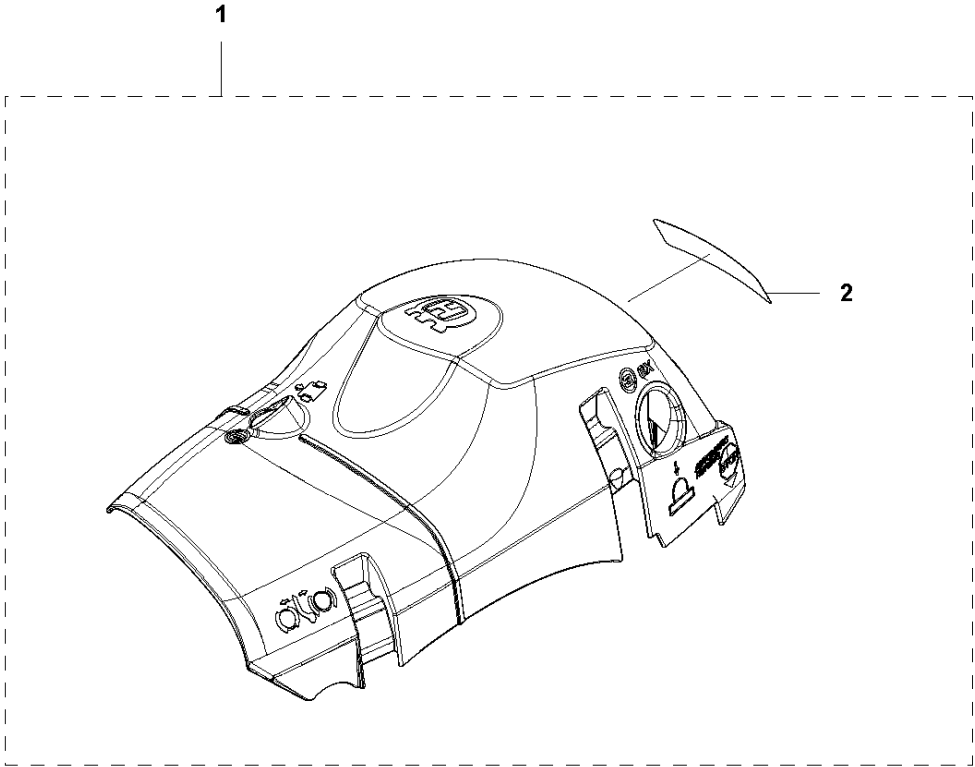


## CLUTCH &amp; OIL PUMP

455 Rancher II

Ref	Part No	Description	Remark	QTY	KIT
1	537 11 05-03	CLUTCH ASSY		1	
2	537 35 91-01	CLUTCH SPRING		2	1
3	537 29 17-02	CLUTCH DRUM ASSY	"0,325"" x 7 spur"	1	
3	537 29 16-04	CLUTCH DRUM ASSY	" 3/8"" x 7 spur"	1	
4	503 25 52-01	NEEDLE BEARING		1	3
5	537 25 26-01	PUMP PINION		1	
6	544 18 01-04	OIL PUMP ASSY		1	
7	537 06 93-02	PUMP PISTON		1	6
8	503 23 00-60	WASHER		2	6
9	503 89 16-01	SPRING		1	6
10	537 02 71-01	ADJUSTER		1	6
11	503 89 15-01	SPRING		1	6
12	721 11 64-30	GROOVED PIN		1	6
13	503 21 74-16	SCREW IH SCT	IH SCT	1	
14	537 26 15-01	OIL PRESSURE HOSE		1	
16	510 04 43-01	OIL SCREEN		1	
15	576 99 85-01	OIL HOSE		1	

**C** 455 Rancher II  
CYLINDER COVER

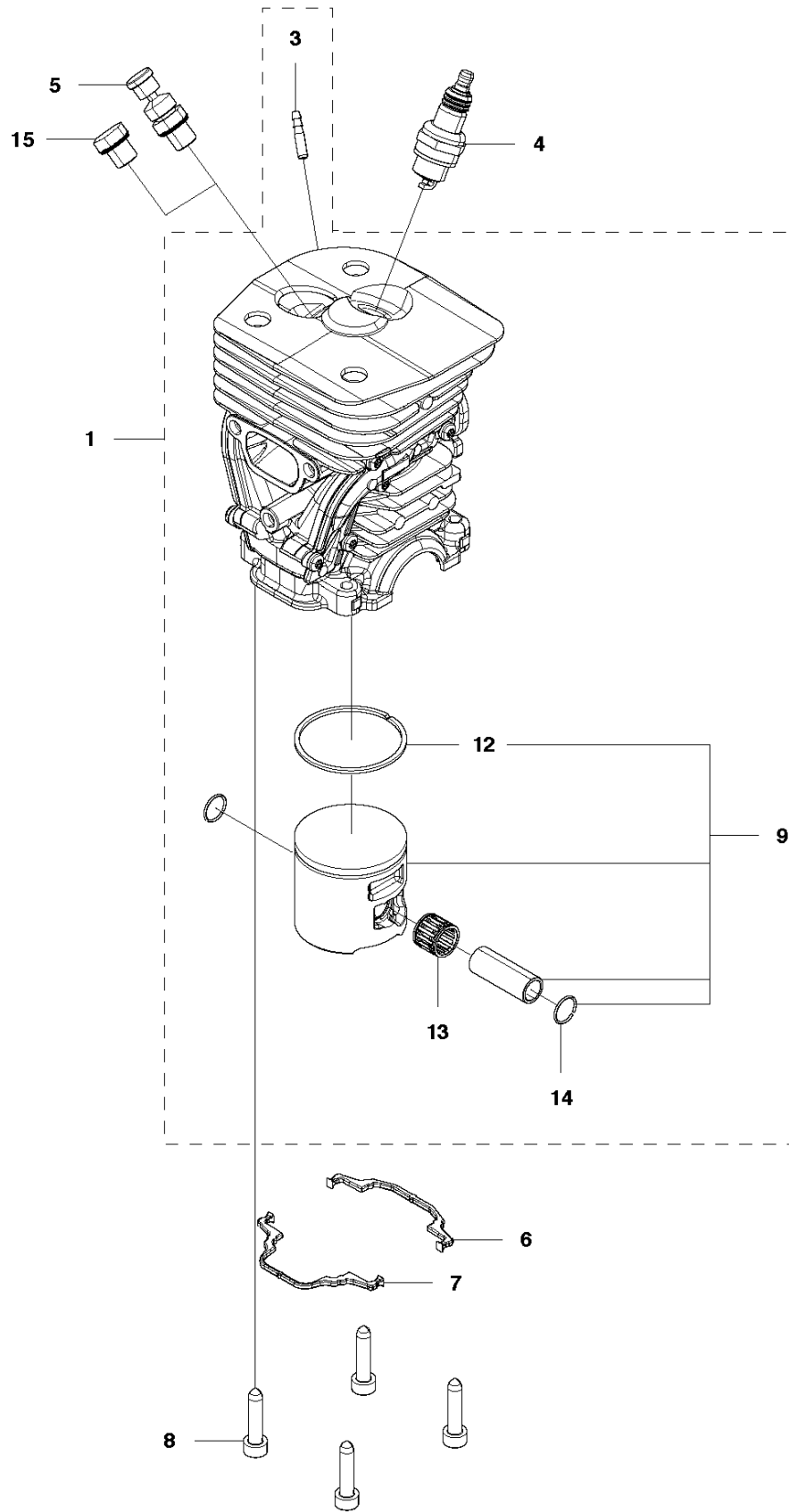


CYLINDER COVER

455 Rancher II

Ref	Part No	Description	Remark	QTY	KIT
1	577 77 59-01	CYLINDER COVER		1	
2	522 70 92-01	LABEL		1	1

**D** 455 Rancher II  
CYLINDER PISTON



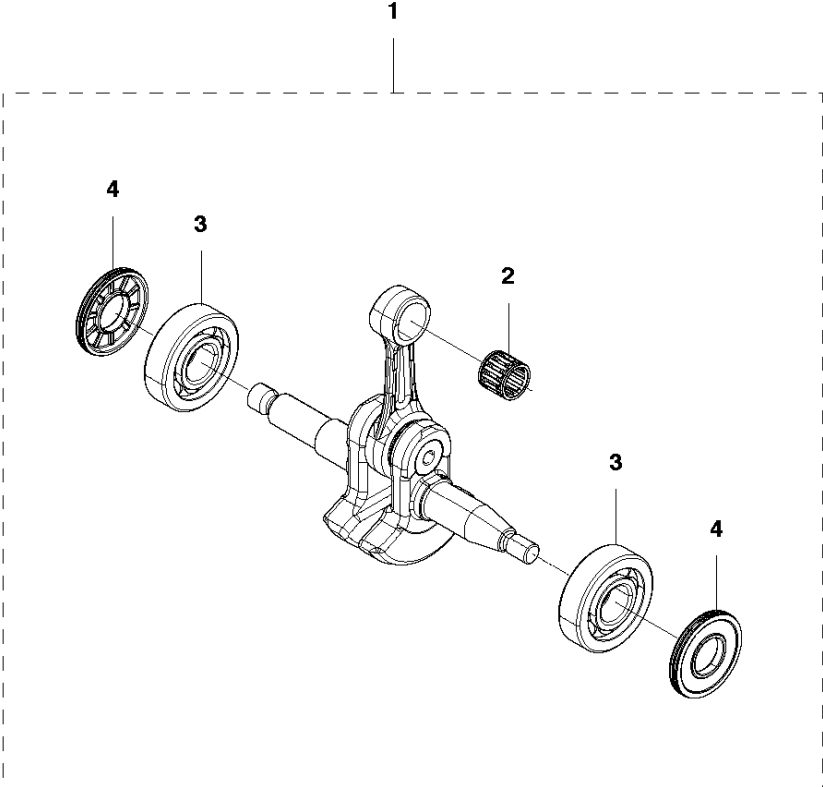


## CYLINDER PISTON

455 Rancher II

Ref	Part No	Description	Remark	QTY KIT
1	537 32 04-03	CYLINDER ASSY		1
3	503 42 43-01	IMPULSE NIPPLE		1
4	503 23 51-11	SPARK PLUG		1
5	585 23 63-01	DECOMPRESSION VALVE		1
6	537 24 58-01	GASKET		1
7	537 24 57-01	GASKET		1
8	503 20 05-27	SCREW IHSCM	IHSCM	4
9	574 64 40-02	PISTON ASSY		1
12	544 09 84-01	PISTON RING		1
13	574 34 24-01	NEEDLE BEARING		1
14	737 44 12-00	SNAP RING		2
15	503 55 22-01	PLUG		1

**E** 455 Rancher II  
CRANKSHAFT

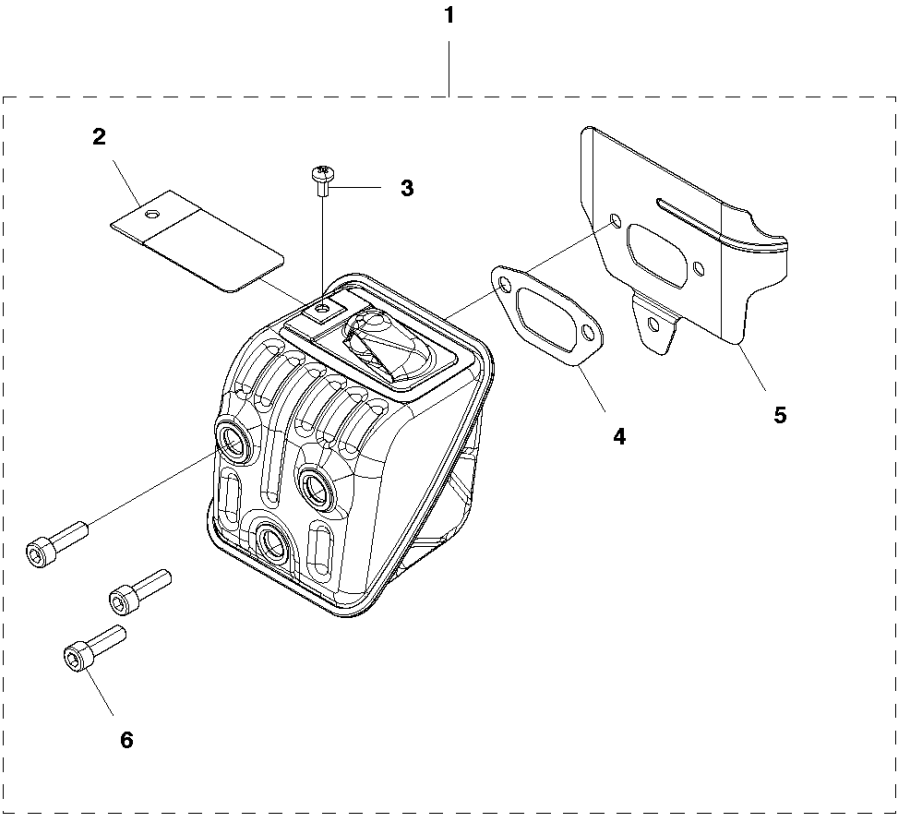


CRANKSHAFT

455 Rancher II

Ref	Part No	Description	Remark	QTY	KIT
1	537 31 40-03	CRANKSHAFT ASSY		1	
2	574 34 24-01	NEEDLE BEARING		1	1
3	503 25 16-02	BALL BEARING		2	1
4	503 26 19-01	SEALING		2	1

**F** 455 Rancher II  
MUFFLER

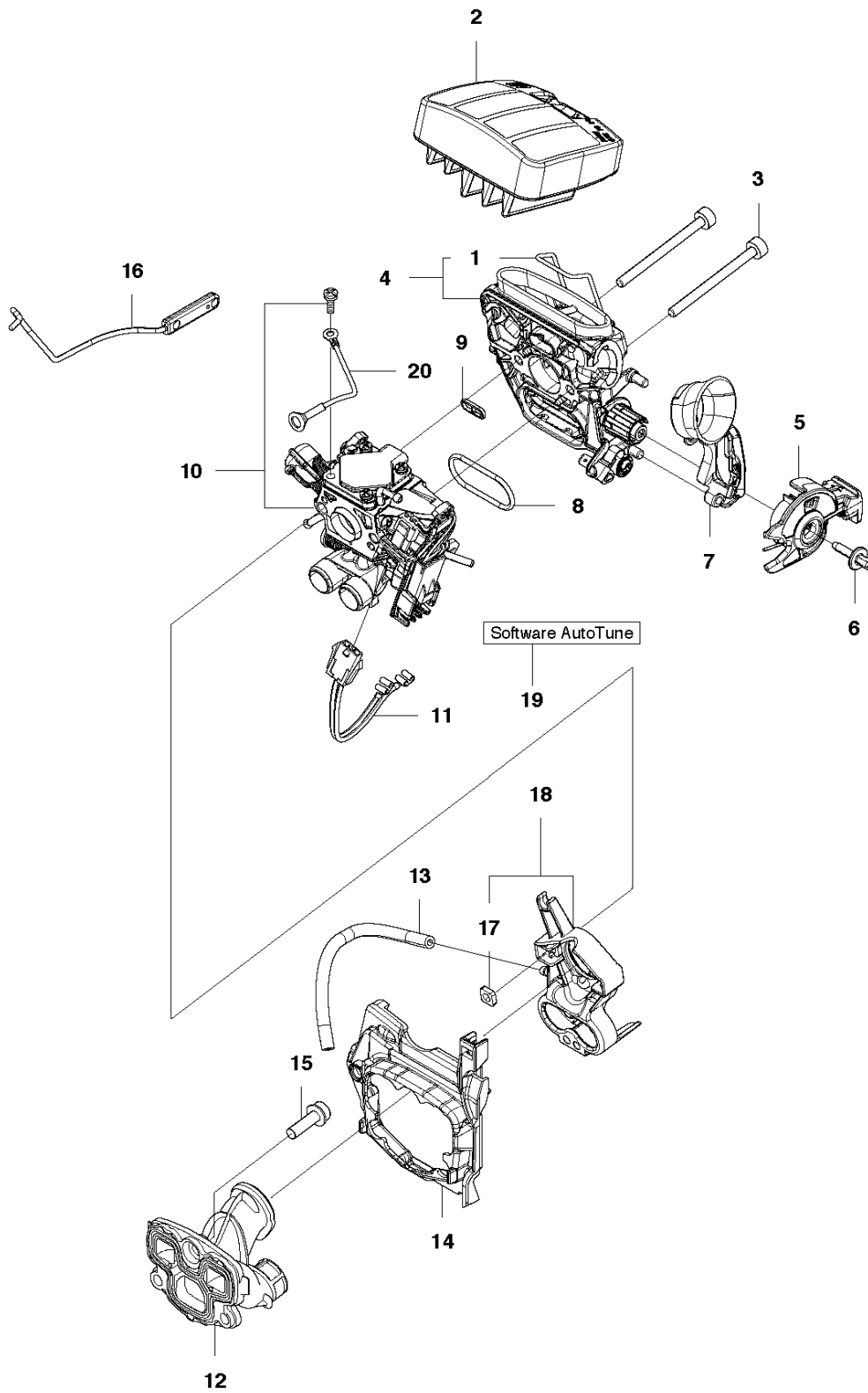


## MUFFLER

455 Rancher II

Ref	Part No	Description	Remark	QTY	KIT
1	575 74 30-02	MUFFLER KIT		1	
2	544 11 68-02	SPARK ARRESTER SCREEN		1	1
3	724 12 87-59	SCREW CRPANM	CRPANM	1	1
4	537 28 77-01	GASKET		1	1
5	577 22 33-01	HEAT DEFLECTOR		1	1
6	725 53 70-55	SCREW IHSCM	IHSCM	3	1

**G** 455 Rancher II  
CARBURETOR & AIR FILTER

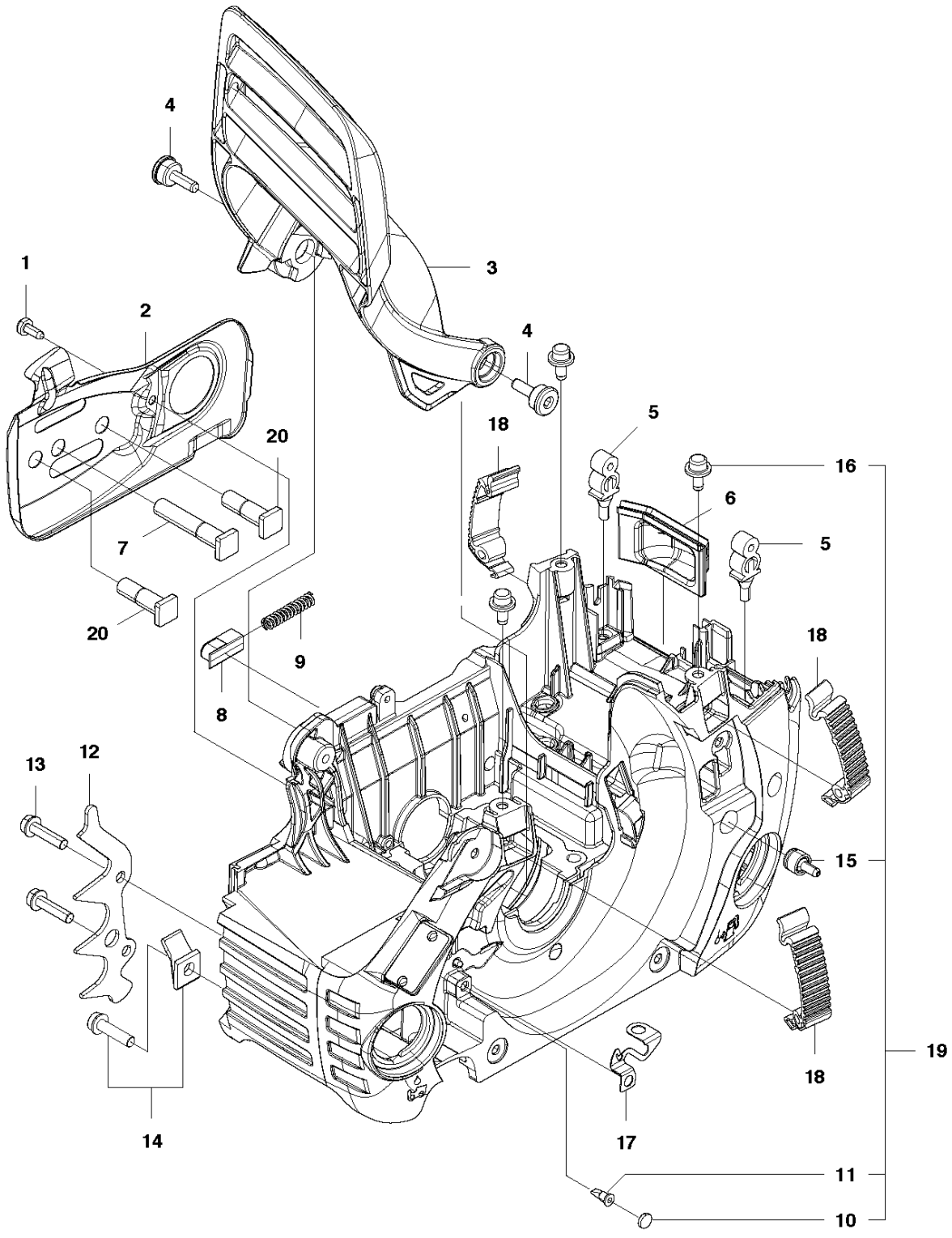


## CARBURETOR &amp; AIR FILTER

455 Rancher II

Ref	Part No	Description	Remark	QTY	KIT
1	522 90 73-01	SHACKLE		1	4
2	575 78 94-02	AIR FILTER ASSY	44μ	1	
2	575 78 94-01	AIR FILTER ASSY	80μ	1	
2	575 78 94-03	AIR FILTER ASSY	FELT	1	
3	503 20 25-50	SCREW IHSCM	IHSCM	2	
4	575 88 04-01	FILTER HOLDER ASSY		1	
5	510 01 72-02	CHOKE CONTROL ASSY		1	4
6	505 15 62-01	SCREW		1	4
7	525 58 81-01	SEALING		1	4
8	525 61 90-01	SEALING		1	
9	525 61 92-01	SEALING		1	
10	580 30 63-01	CARBURETTOR		1	
11	577 53 64-01	WIRING ASSY		1	
12	575 56 73-01	PIPE ASSY		1	
13	503 40 06-01	IMPULSE HOSE		1	
14	537 37 14-01	INSULATION WALL		1	
15	503 20 02-16	SCREW IHSCFM	IHSCFM	3	
16	576 14 87-01	THROTTLE ROD		1	
17	503 22 65-03	SQUARE NUT	M4	2	18
18	575 38 25-01	FLANGE		1	
19	0	TBD	Download from your local supportsite		
20	581 08 99-01	WIRING ASSY		1	

**H** 455 Rancher II  
CRANKCASE



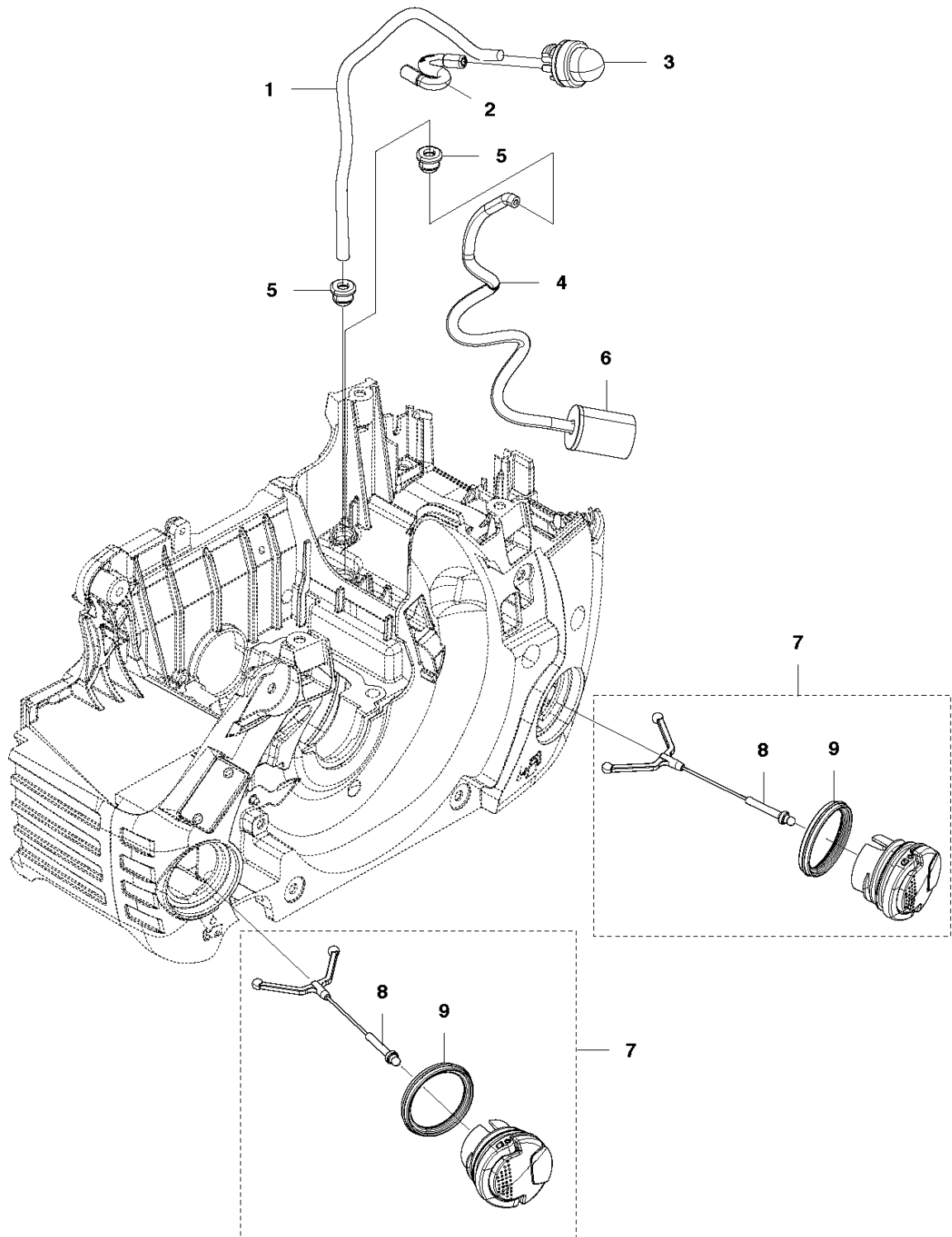


## CRANKCASE

455 Rancher II

Ref	Part No	Description	Remark	QTY	KIT
1	503 21 70-10	SCREW CCRPANT	CCRPANT	1	
2	537 27 13-02	CHAIN GUIDE PLATE		1	
3	574 60 29-01	HAND GUARD		1	
4	537 29 65-01	SCREW		2	
5	503 86 93-01	SUPPORT		2	
6	575 55 41-01	BELLOWS		1	
7	537 33 46-02	BAR BOLT		2	
8	503 89 24-01	LOCK		1	
9	503 43 65-01	POSITION SPRING		1	
10	537 40 35-01	FILTER		1	19
11	530 02 61-19	CHECK VALVE		1	19
12	578 06 88-01	SPIKE		1	
13	503 21 68-72	SCREW IHSCFT	IHSCFT	2	
14	503 91 06-71	KIT		1	
15	501 15 29-01	TANK VENT ASSY		1	19
16	544 33 16-01	GUIDE PIN		3	19
17	575 39 30-01	GROUND PLATE		1	
18	503 89 47-01	SNAP		3	
19	577 59 54-03	CRANKCASE		1	
20	537 22 78-01	BAR BOLT		1	

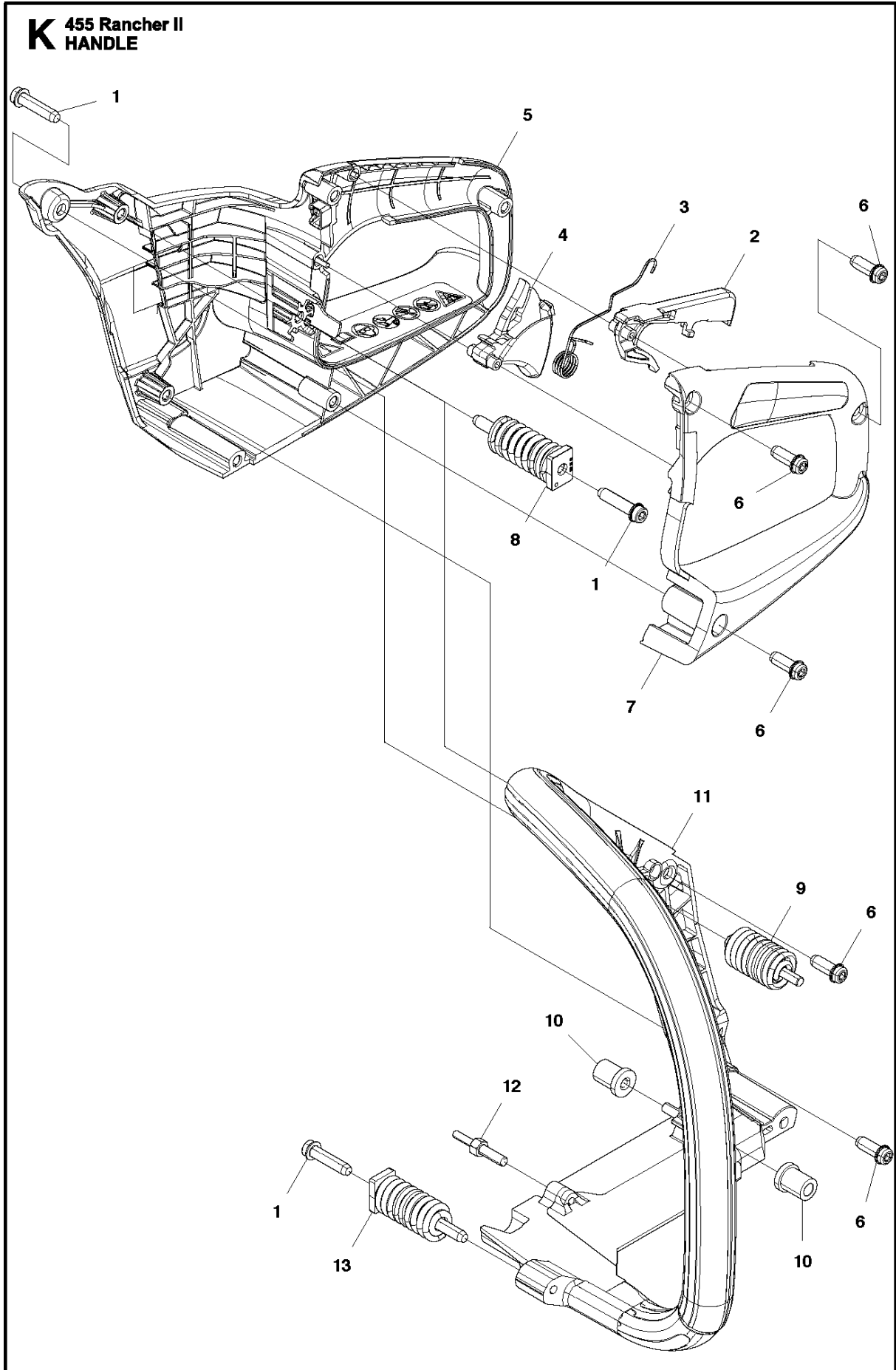
**J** 455 Rancher II  
FUEL TANK



## FUEL TANK

455 Rancher II

Ref	Part No	Description	Remark	QTY	KIT
1	537 04 24-05	FUEL HOSE		1	
2	523 05 68-01	FUEL HOSE		1	
3	503 93 66-01	PURGE		1	
4	581 75 62-02	FUEL HOSE		1	
5	503 73 58-01	BUSHING		2	
6	503 44 32-01	FUEL FILTER		1	
7	522 62 00-03	TANK CAP ASSY		2	
8	503 57 89-01	HOLDER		1	7
9	589 24 11-01	GASKET		1	7

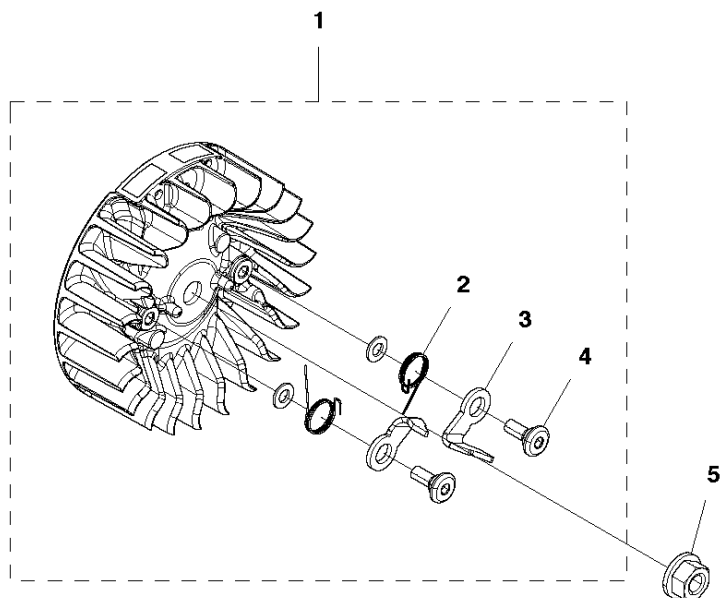
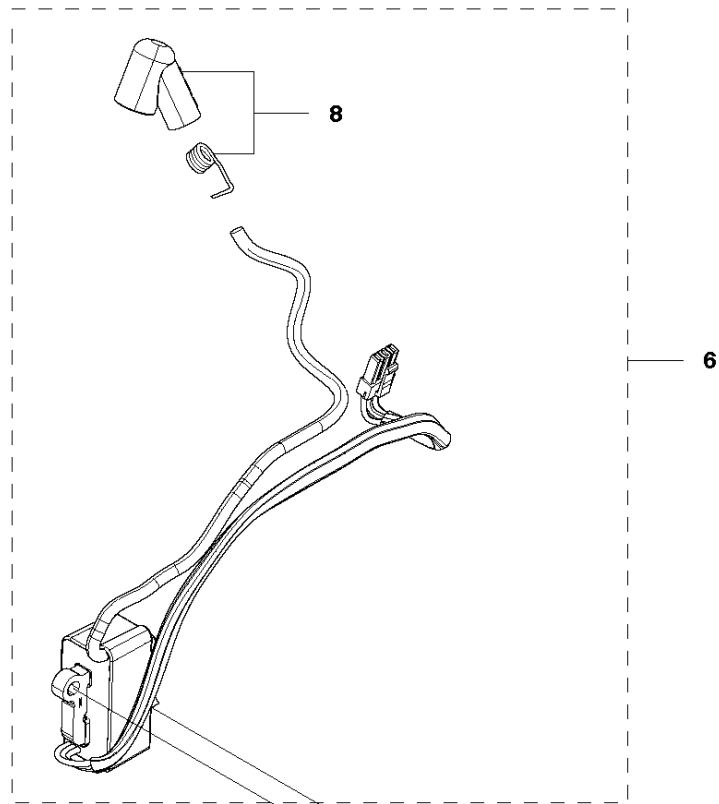


## HANDLE

455 Rancher II

Ref	Part No	Description	Remark	QTY KIT
1	503 21 88-76	SCREW IHSCFT	IHSCFT	3
2	502 44 02-01	THROTTLE LOCKOUT		1
3	503 99 86-01	RECOIL SPRING		1
4	537 26 05-03	THROTTLE TRIGGER		1
5	580 94 59-01	REAR HANDLE		1
6	503 21 02-70	SCREW IHSCFT	IHSCFT	5
7	537 23 07-04	HUB CAP		1
8	537 30 46-01	ANTIVIBRATION ELEMENT		1
9	503 85 41-01	ANTIVIBRATION ELEMENT		1
10	503 86 92-01	LATERAL SUPPORT		2
11	537 23 05-02	FRONT HANDLE		1
12	537 24 29-01	SCREW		1
13	503 92 31-01	ANTIVIBRATION ELEMENT		1

**L** 455 Rancher II  
IGNITION SYSTEM

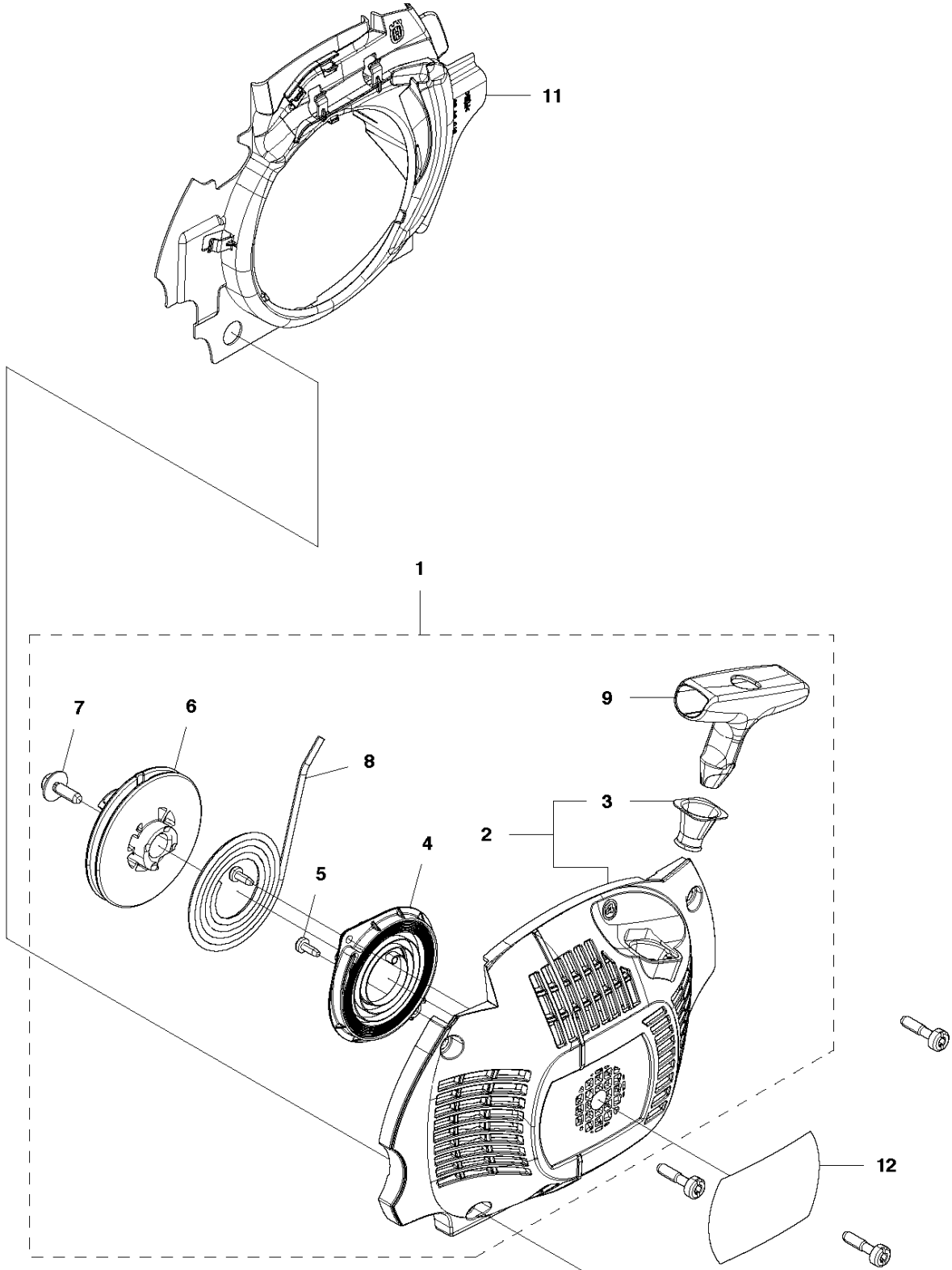


IGNITION SYSTEM

455 Rancher II

Ref	Part No	Description	Remark	QTY	KIT
1	580 38 92-01	FLYWHEEL ASSY		1	
2	529 27 11-01	SPRING		2	1
3	537 24 56-01	STARTER PAWL		2	1
4	501 81 99-03	SCREW		2	1
5	503 22 04-01	NUT		1	
6	586 81 50-02	IGNITION MODULE		1	
7	503 21 55-25	SCREW IHSC	IHSCFT	2	
8	501 48 54-04	SPARK PLUG CAP ASSY		1	6

**M** 455 Rancher II  
STARTER



12



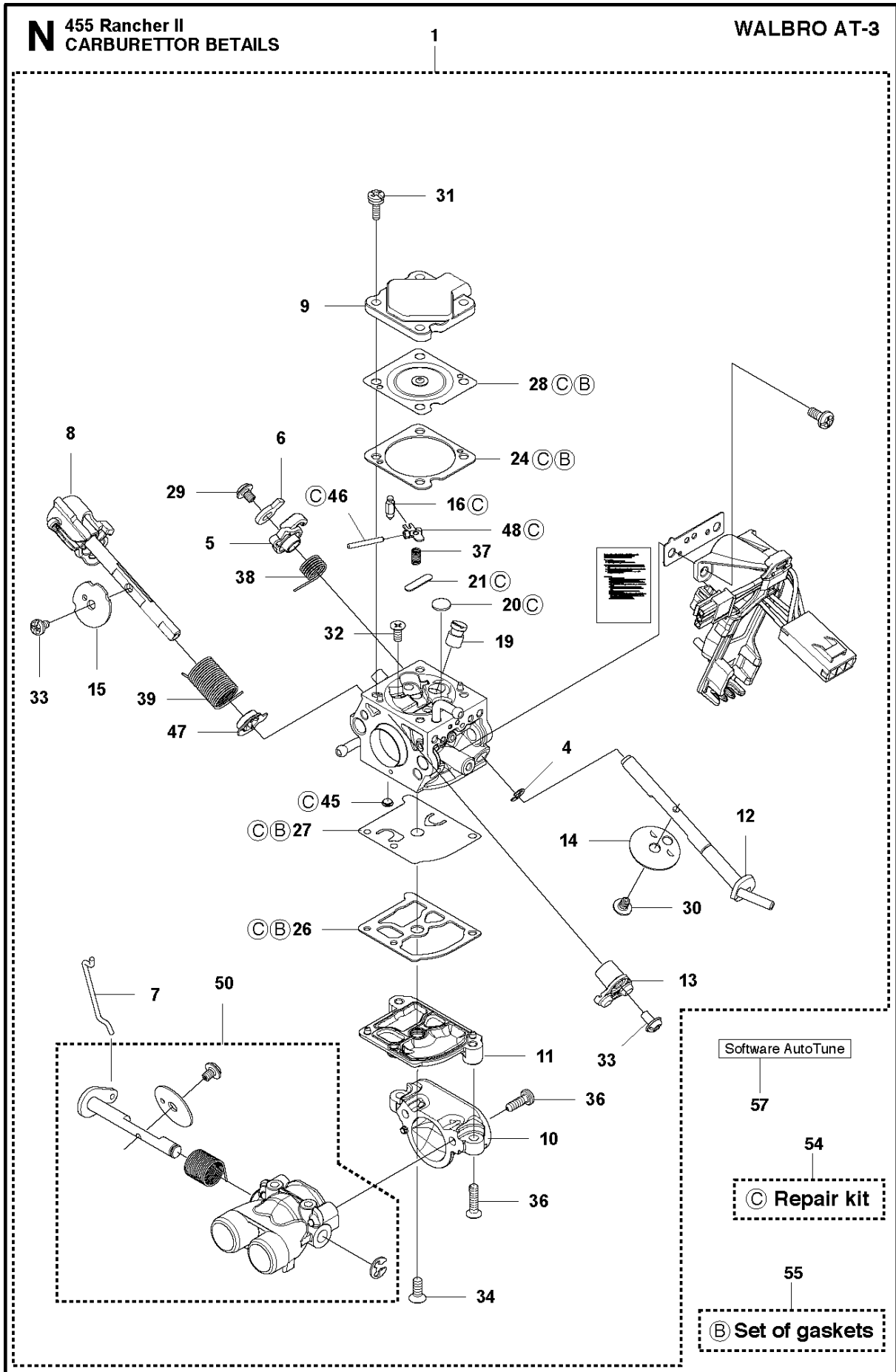
## STARTER

455 Rancher II

Ref	Part No	Description	Remark	QTY	KIT
1	574 64 32-01	STARTER ASSY		1	
2	574 64 31-01	STARTER HOUSING		1	1
3	537 28 32-01	REINFORCEMENT SLEEVE		1	1, 2
4	540 05 75-02	SPRING CASSETTE ASSY		1	1
5	503 21 28-10	SCREW CCRPANT	CCRPANT	2	1
6	537 09 25-02	STARTER PULLEY		1	1
7	503 21 77-16	SCREW IHSCT	IHSCT	1	1
8	505 30 51-25	STARTER CORD	STARTER CORD	1	1
9	537 23 25-01	STARTER HANDLE		1	1
10	503 21 73-21	SCREW		4	
11	575 54 68-01	AIR BAFFLE		1	
12	575 86 32-03	DECAL		1	

**N** 455 Rancher II  
CARBURETOR DETAILS

**WALBRO AT-3**



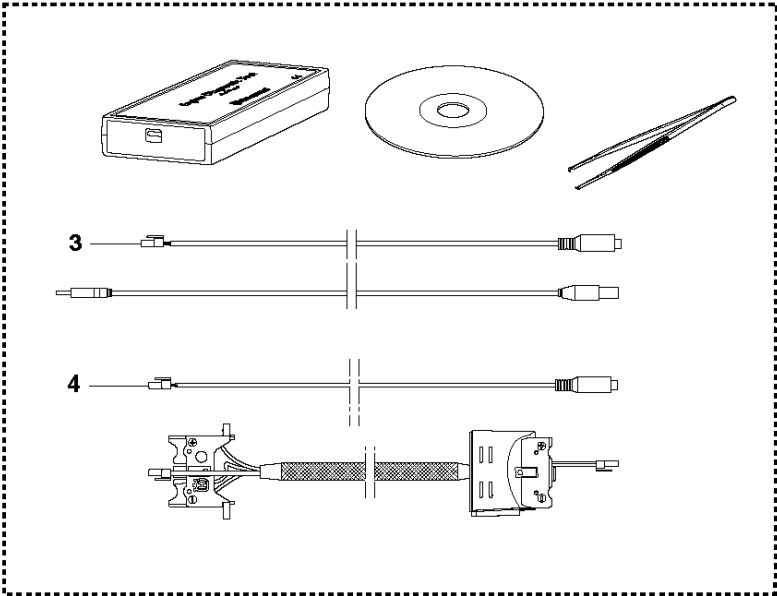
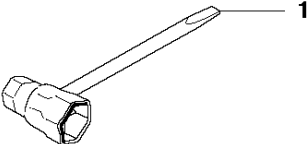
- Software AutoTune
- 57
- 54
- Ⓒ Repair kit
- 55
- Ⓑ Set of gaskets

## CARBURETOR DETAILS

455 Rancher II

Ref	Part No	Description	Remark	QTY	KIT
1	580 30 63-01	CARBURETTOR	AT-3	1	
4	577 26 29-01	RETAINER		1	1
5	574 35 77-01	LEVER		1	1
6	576 61 85-01	LEVER		1	1
7	574 35 79-01	LINK		1	1
8	575 52 96-01	THROTTLE LEVER		1	1
9	574 35 81-01	COVER		1	1
10	575 79 48-01	INLET		1	1
11	579 26 52-01	COVER		1	1
12	574 35 84-01	SHAFT ASSY		1	1
13	579 32 32-01	THROTTLE SHAFT		1	1
14	574 35 85-01	VALVE		1	1
15	579 31 69-01	THROTTLE VALVE		1	1
16	503 56 34-01	INLET		1	1, 54
19	580 37 23-01	MAIN NOZZLE		1	1
20	504 79 08-01	PLUG		1	1, 54
21	502 84 69-01	PLUG		1	1, 54
24	574 35 86-01	GASKET		1	1, 54, 55
26	577 88 28-01	GASKET		1	1, 54, 55
27	577 88 29-01	DIAPHRAGM		1	1, 54, 55
28	574 35 88-01	DIAPHRAGM ASSY		1	1, 54, 55
29	501 46 87-01	SCREW		1	1
30	537 00 34-01	SCREW		1	1
31	537 00 31-01	SCREW		4	1
32	502 84 71-01	SCREW		1	1
33	544 11 15-01	SCREW		2	1
34	574 35 90-01	SCREW		1	1
36	576 61 89-01	SCREW		4	1
37	503 56 24-01	SPRING		5	1
38	574 35 93-01	SPRING		1	1
39	579 31 70-01	SPRING		1	1
45	501 66 61-01	SCREEN		1	1, 54
46	505 52 01-25	PIN-METERING LEVER		1	1, 54
47	574 35 96-01	BUSHING		1	1
48	502 84 74-01	LEVER		1	1, 54
50	579 32 31-01	THROTTLE VALVE ASSY		1	1
54	577 66 61-01	REPAIR KIT	SET OF GASKETS	1	
55	576 66 65-01	GASKET KIT	SET OF GASKETS	1	
57	0	TBD	Download from your local supportsite		

**P** 455 Rancher II  
ACCESSORIES

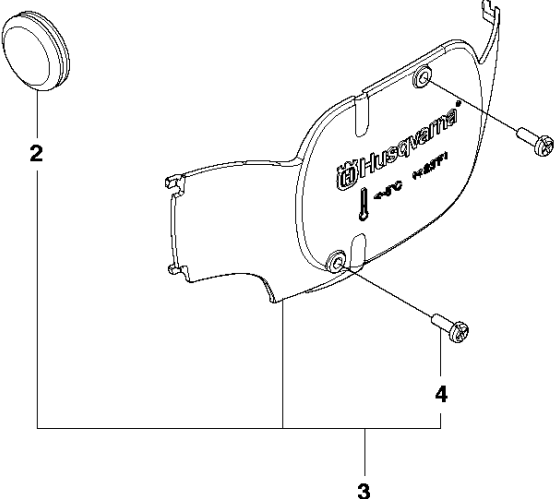
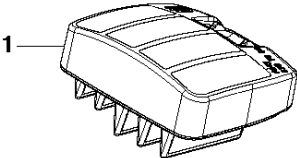


## ACCESSORIES

455 Rancher II

Ref	Part No	Description	Remark	QTY	KIT
1	501 69 17-01	COMBINATION WRENCH		1	
2	583 89 71-01	DIAGNOSTIC TOOL KIT		1	
3	576 18 34-01	CABLE ASSY	Diagnostic tool 14Mhz	1	2
4	576 95 22-01	CABLE ASSY	Diagnostic tool 8Mhz	1	2

**Q** 455 Rancher II  
WINTER KIT



## WINTER KIT

455 Rancher II

Ref	Part No	Description	Remark	QTY KIT
1	575 78 94-01	AIR FILTER ASSY	80μ	1
2	503 40 59-01	WINTER PLUG		1 3
3	579 16 83-01	WINTER KIT		1
4	503 21 70-16	SCREW CCRPANT		2 3

# Illustrated Parts List - IPL Update



Product Name(s)

**H455RII**

Description of change

1. New Ignition module, assy : 586 81 50-02 was 575 67 37-02. Minor correction.
2. New improved Fuel tank ventilation 501 15 29-01 added on crankcase 577 59 54-03. Tank ventilation improved regarding higher opening pressure.
3. Crankshaft assy. 537 31 40-03 was -02. Correction.
4. New Tank cap assy and gasket number due to change of supplier. Minor correction.
5. Choke control changed to secure correct assembly.

Comments

This update is fully exchangeable.

Introduced from

Serial number / Date	Remark
s/n 20154400001	Choke control assy.
s/n 20164400001	Crankcase and fuel ventilation.

IPL updates

Page Title	Ref. no	New part no	Name	Excl. part no.	Remark
Carburetor & air filter	1	510 01 72-02	Choke control assy.	510 01 72-01	
Crankcase	15	501 15 29-01	Tank vent assy	537 35 95-01	
	19	577 59 54-03	Crankcase	577 59 54-01	
Crankshaft	1	537 31 40-03	Crankshaft assy.	537 31 40-02	<b>Correction.</b>
Fuel tank	7	522 62 00-03	Tank cap assy.	522 62 00-01	<b>Minor correction.</b>
	9	589 24 11-01	Gasket	537 21 50-01	<b>Minor correction.</b>
Ignition system	6	586 81 50-02	Ignition module	575 67 37-02	<b>Minor correction.</b>





Husqvarna  
Group

## Illustrated Parts List - IPL Update

### 5. Choke control

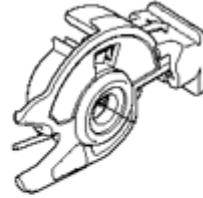
New version



510 01 72-02



Old version



510 01 72-01