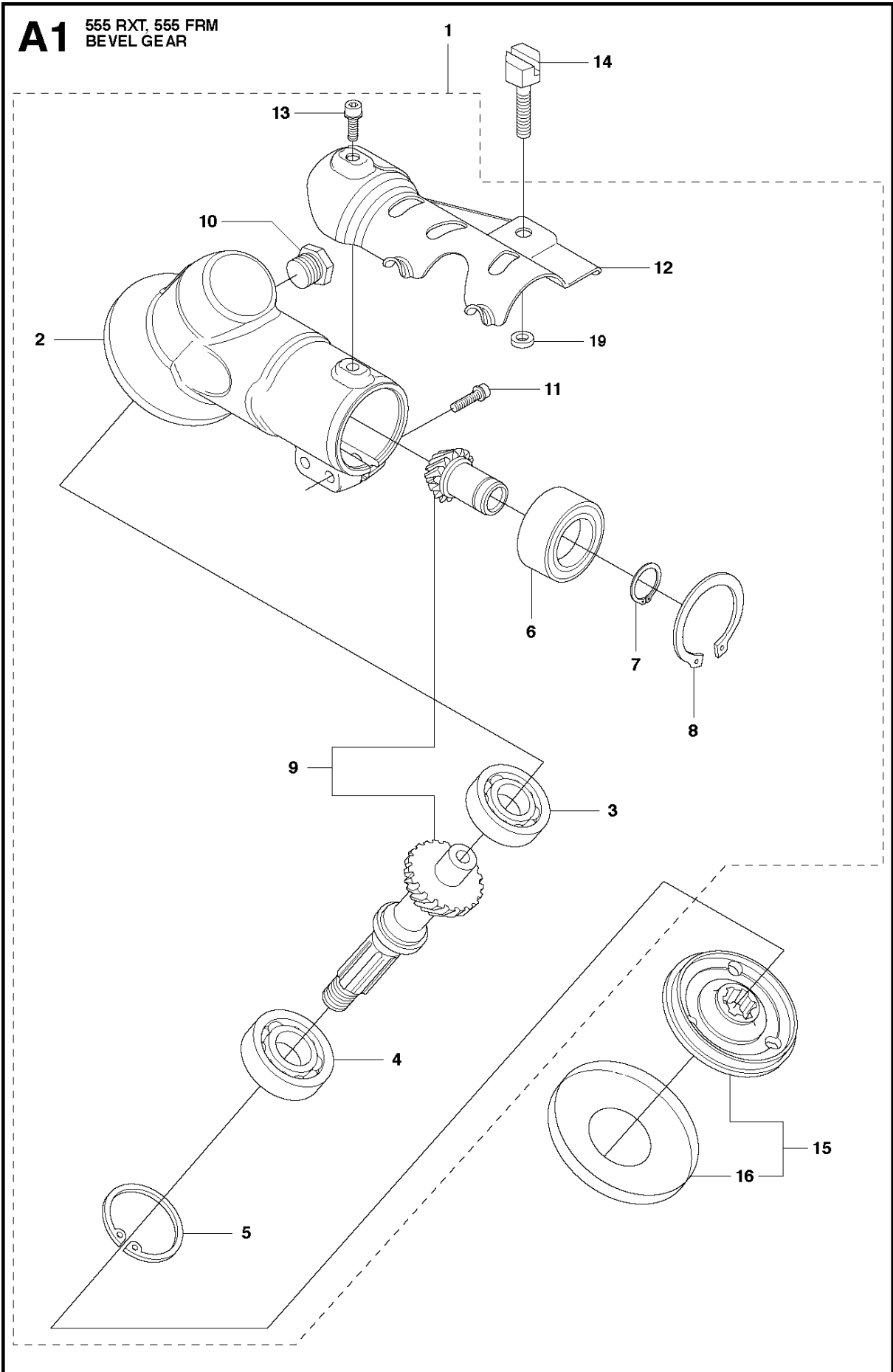




SPARE PARTS LIST

BRUSHCUTTERS/CLEARING SAWS

555 FRM

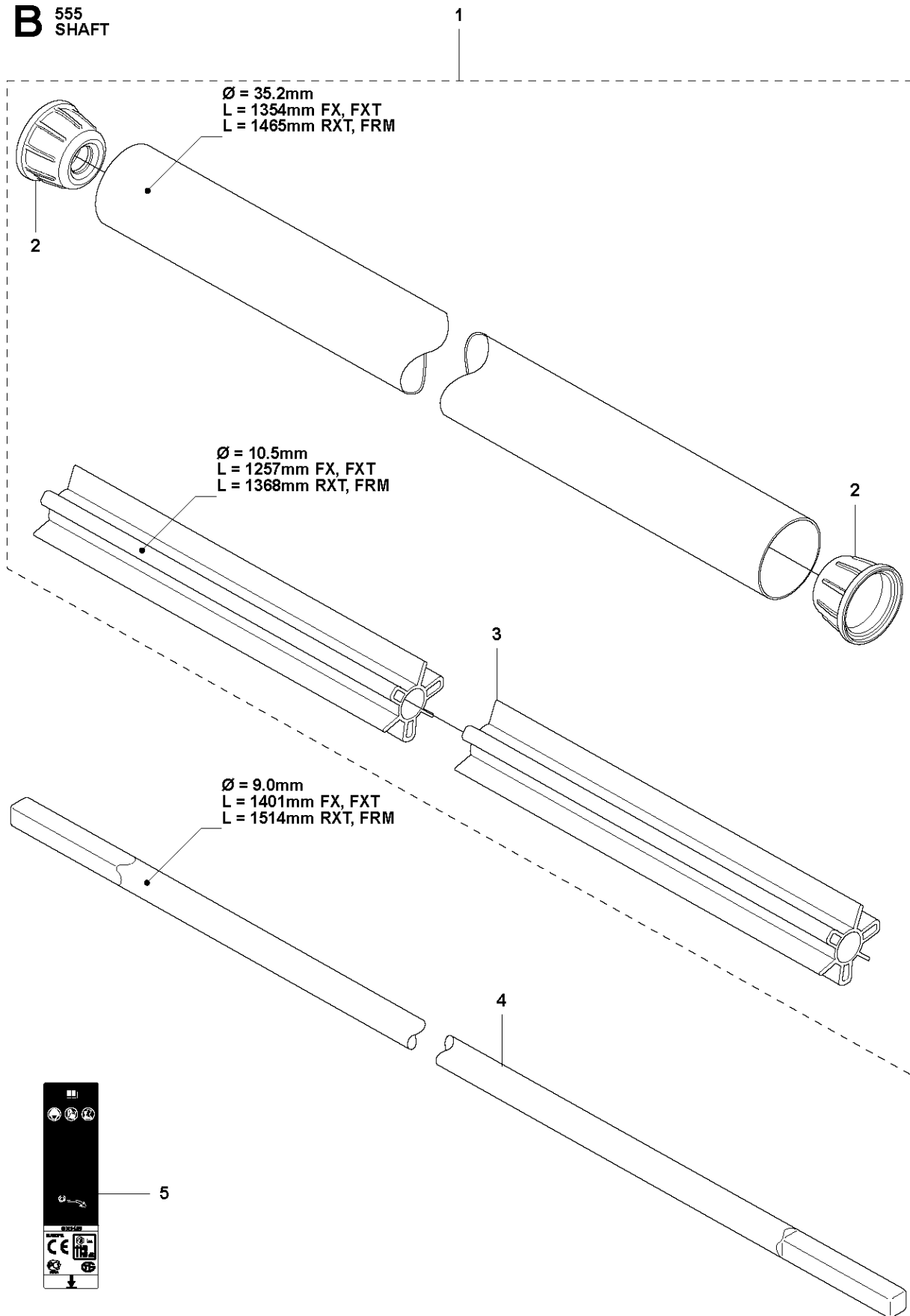


BEVEL GEAR

555 FRM

Ref	Part No	Description	Remark	QTY	KIT
1	537 42 84-07	BEVEL GEAR	Incl. Pos. 2-13	1	
2	537 42 85-01	GEAR HOUSING		1	1
3	738 21 01-10	BALL BEARING		1	1
4	503 25 25-01	BALL BEARING		1	1
5	735 31 33-10	CIRCLIP		1	1
6	503 25 18-01	BEARING		1	1
7	735 31 17-00	CIRCLIP		1	1
8	735 31 31-10	CIRCLIP		1	1
9	502 43 46-01	GEAR WHEEL KIT	Kit	1	1
10	503 20 15-01	SCREW IHHM		1	1
11	725 53 72-65	SCREW IHSCM		2	1
12	501 36 59-01	ATTACHMENT PLATE		1	1
13	503 20 07-76	SCREW IHSCFM		1	1
14	537 18 95-01	SCREW		1	
15	537 35 14-02	DRIVER	Incl. Pos. 16	1	
16	537 24 03-01	GRASS SEALING		1	15
19	574 40 44-01	LOCKING NUT		1	1

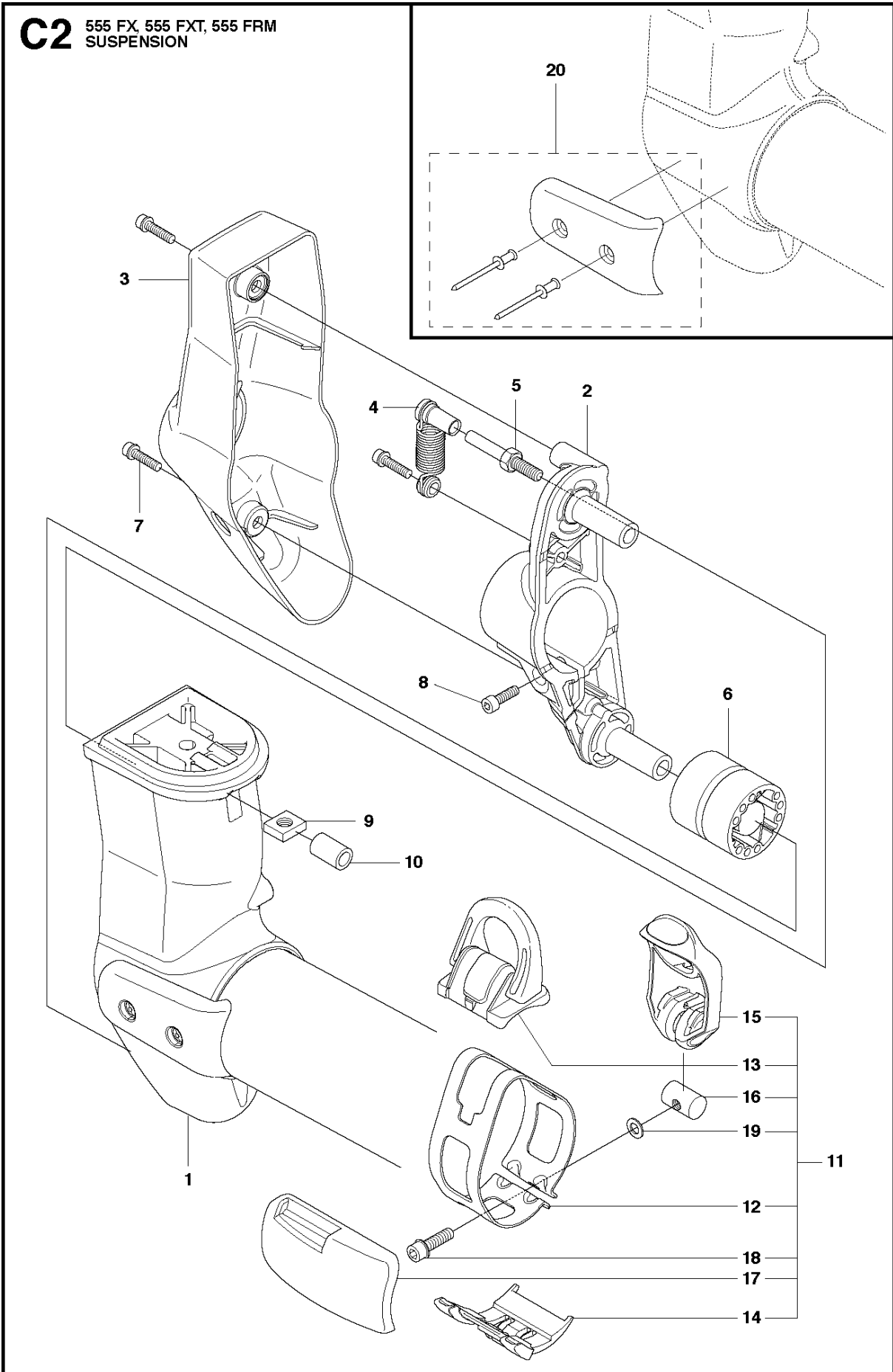
B 555
SHAFT



SHAFT

555 FRM

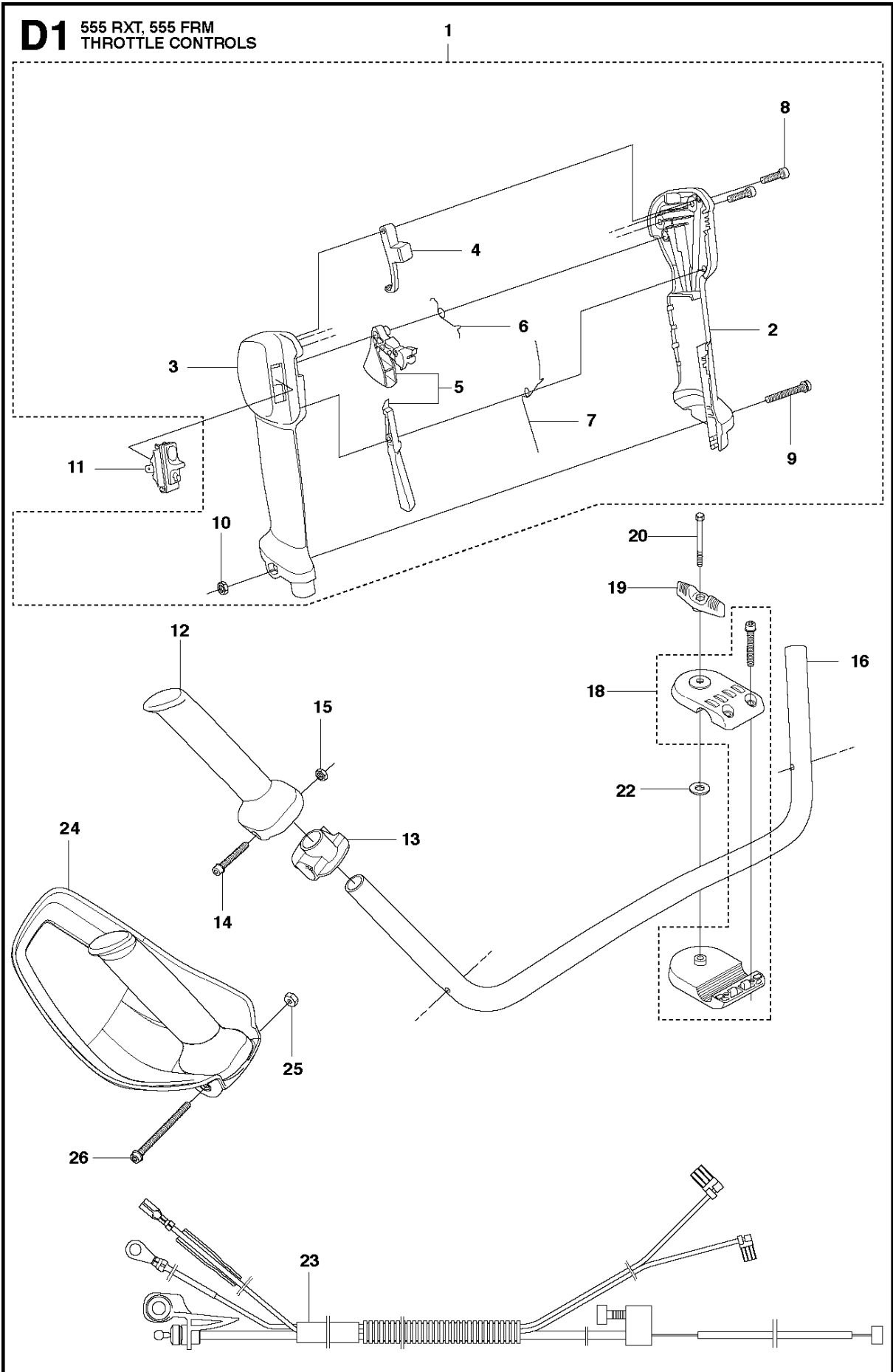
Ref	Part No	Description	Remark	QTY KIT	
1	510 02 78-08	TUBE DRIVESHAFT ASSY	Incl. Pos. 2-3	1	
2	544 32 05-01	SPACER		2	1
3	505 13 13-02	BEARING SHAFT	L=1368mm, Ø=10.5mm	1	1
4	544 15 67-02	DRIVE SHAFT	L=1514mm, Ø=9.0mm	1	
5	589 29 51-01	LABEL		1	



SUSPENSION

555 FRM

Ref	Part No	Description	Remark	QTY	KIT
1	581 97 88-01	SUSPENSION	FX, FXT	1	
1	581 97 88-03	SUSPENSION	FRM	1	
2	544 37 83-01	RETAINER		1	
3	544 37 85-01	COVER		1	
4	506 06 88-01	SPRING		1	
5	544 36 77-01	PARALLEL PIN		1	
6	544 23 09-01	ANTIVIBRATION ELEMENT		2	
7	503 20 07-74	SCREW IHSCFM		3	
8	725 53 72-65	SCREW IHSCM		1	
9	502 19 71-01	SQUARE NUT		1	
10	503 85 73-02	COVER		1	
11	504 02 38-01	LOOP	Incl. Pos. 12-19	1	
12	537 39 57-01	BAND		1	11
13	537 20 18-03	LOOP		1	11
14	537 42 74-01	GUIDE RAIL		1	11
15	537 42 70-01	LEVER		1	11
16	537 42 73-01	NUT		1	11
17	544 25 07-01	WEAR PROTECTION		1	11
18	503 20 07-25	SCREW IHSCFM		1	11
19	503 23 00-11	WASHER		1	11
20	586 20 27-03	WEAR PROTECTION		1	

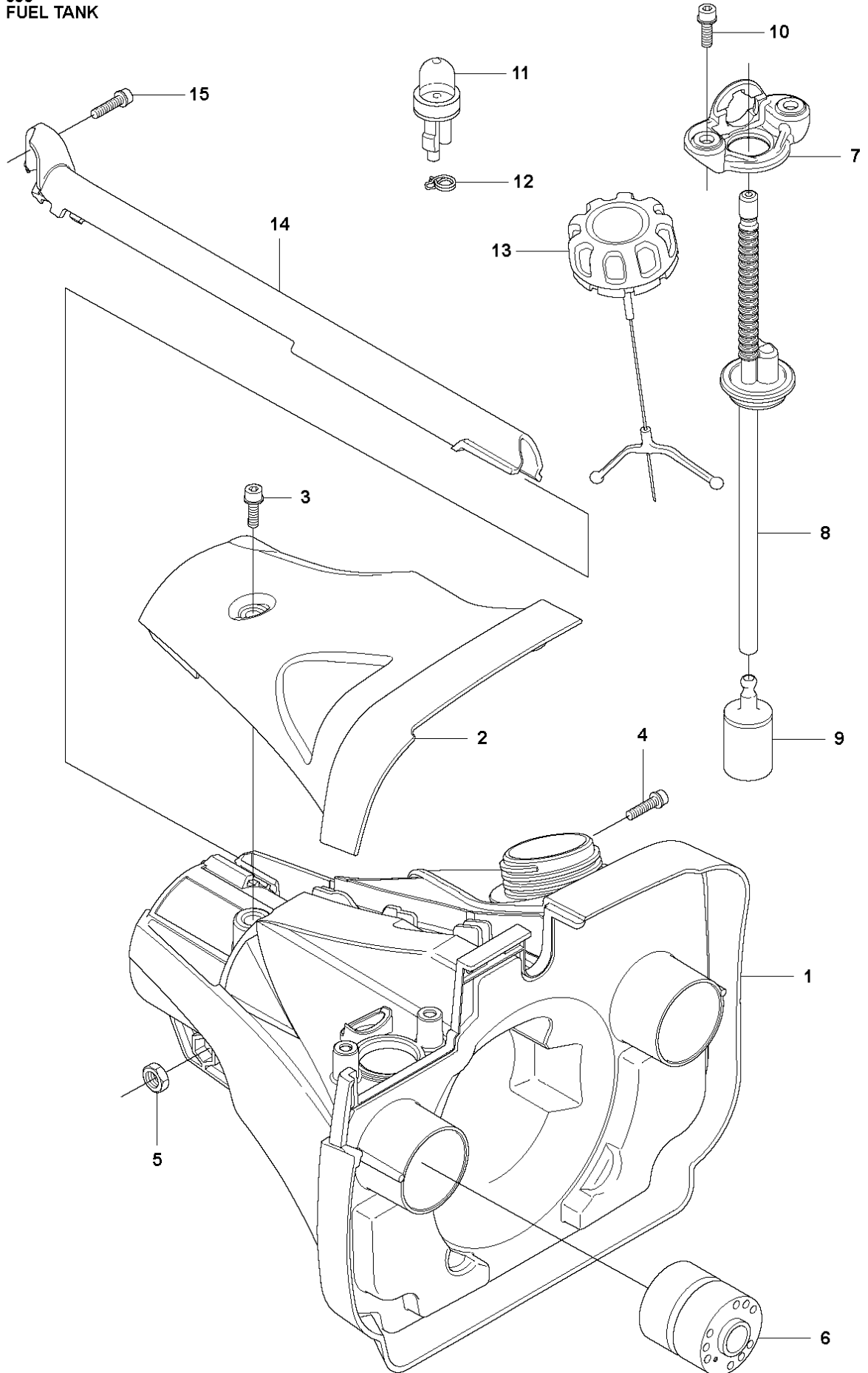


THROTTLE CONTROLS

555 FRM

Ref	Part No	Description	Remark	QTY	KIT
1	504 20 98-04	THROTTLE HANDLE ASSY	Incl. Pos. 2-10	1	
2	537 18 08-11	HANDLE HALF		1	1
3	537 18 07-11	HANDLE HALF		1	1
4	537 16 07-01	STARTER THROTTLE LOC		1	1
5	506 49 77-01	THROTTLE CONTROL	Kit	1	1
6	537 17 42-01	SPRING THROTTLE TRIG		1	1
7	537 17 43-01	SPRING		1	1
8	503 21 66-18	SCREW IHSC T		2	1
9	503 20 07-35	SCREW IHSCFM		1	1
10	503 22 10-13	HEXAGON NUT		1	1
11	537 41 90-01	SWITCH		1	
12	537 17 28-03	HANDLE		1	
13	537 17 29-02	BRACKET		1	
14	503 20 02-45	SCREW IHSCFM		1	
15	731 23 14-05	HEXAGON NUT		1	
16	505 43 33-03	HANDLEBAR		1	
18	595 30 36-01	HANDLEBAR BRACKET	s/n from 20173300001 up to 20181100180	1	
18	595 53 36-01	HANDLEBAR BRACKET		1	
19	502 20 38-01	KNOB		1	
20	725 23 83-81	SCREW EHHM		1	
22	502 28 21-01	WASHER		1	
23	544 20 31-01	WIRING	RXT, FRM	1	
23	544 20 31-02	WIRING	Only for model FX. (Canada)	1	
24	577 36 79-01	HAND GUARD ASSY	FRM	1	
25	503 22 10-13	HEXAGON NUT		1	
26	503 20 29-70	SCREW IHSCFM		1	

E 555
FUEL TANK

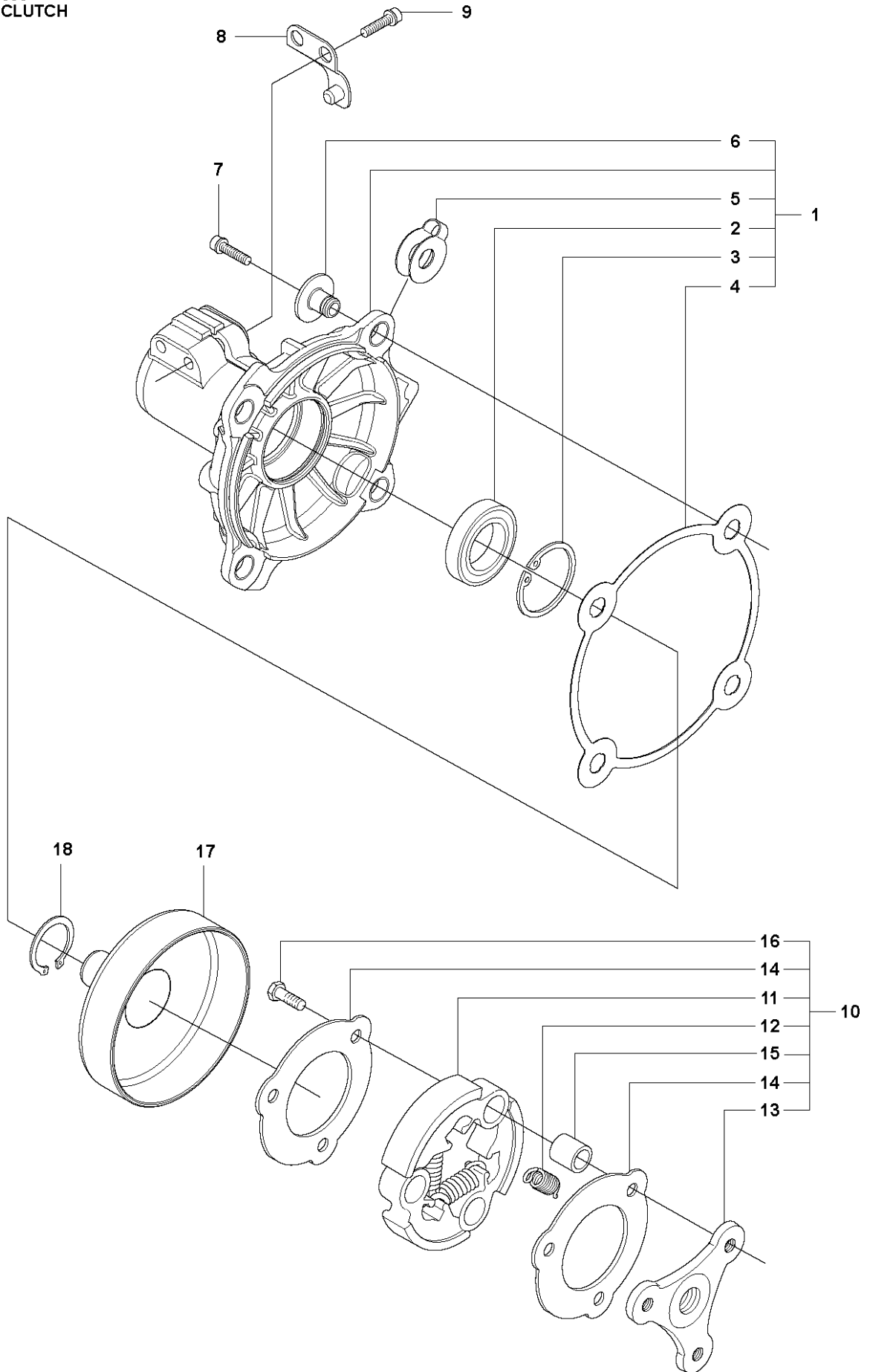


FUEL TANK

555 FRM

Ref	Part No	Description	Remark	QTY KIT
1	537 35 88-01	FUEL TANK		1
2	537 35 86-01	COVER		1
3	503 20 07-72	SCREW IHSCFM		1
4	503 20 07-76	SCREW IHSCFM		1
5	503 22 10-12	HEXAGON NUT		1
6	544 23 09-01	ANTIVIBRATION ELEMENT		2
7	544 21 53-01	BRACKET		1
8	544 21 54-01	FUEL HOSE		1
9	503 44 32-01	FUEL FILTER		1
10	503 20 07-76	SCREW IHSCFM		2
11	503 93 66-01	PURGE		1
12	544 34 86-01	HOSE CLAMP		1
13	504 11 32-01	TANK CAP		1
14	544 10 95-01	WIRING PROTECTION	RXT	1
14	544 10 95-02	WIRING PROTECTION	FX, FXT, FRM	1
15	503 20 07-74	SCREW IHSCFM		1

F 555
CLUTCH

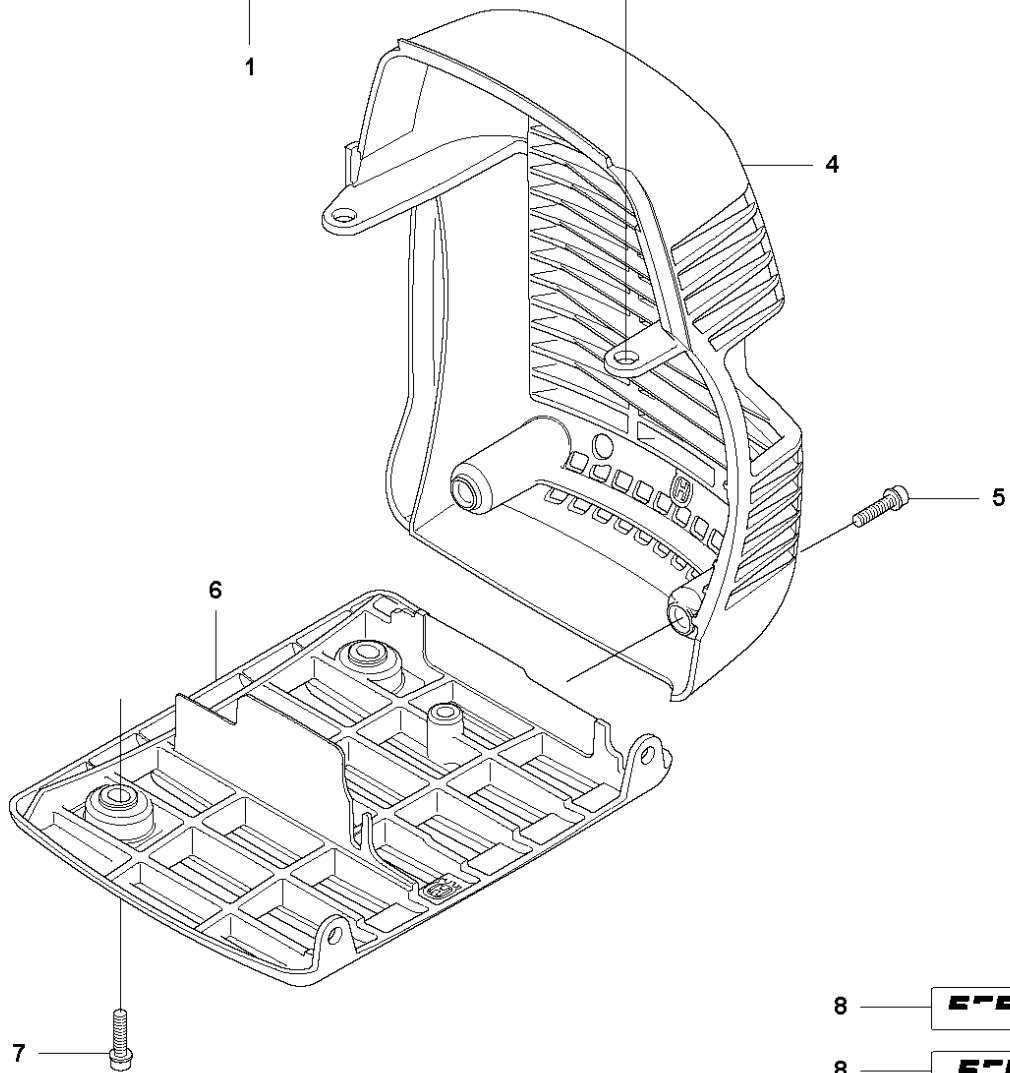
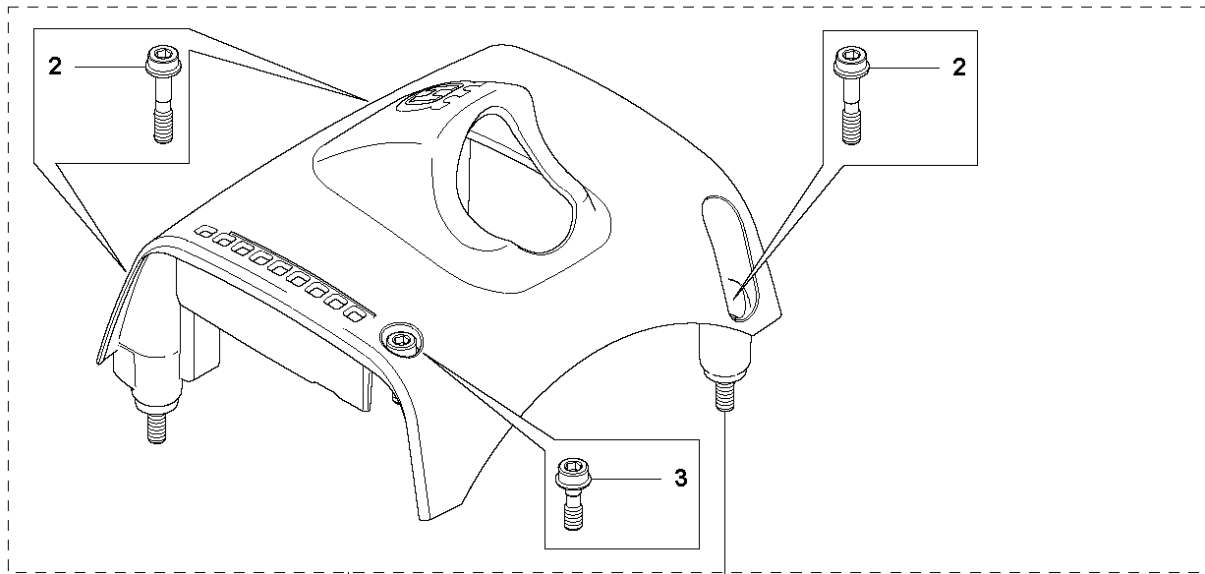


CLUTCH

555 FRM

Ref	Part No	Description	Remark	QTY KIT	
1	502 49 35-06	CLUTCH COVER ASSY	Incl. pos 2-6	1	
2	738 22 02-19	BALL BEARING		1	1
3	735 31 33-10	CIRCLIP		1	1
4	544 90 81-01	WASHER		1	1
5	544 09 36-02	SPRING PLATE		4	1
6	544 09 35-01	SPACING SLEEVE		4	1
7	503 20 07-78	SCREW IHSCFM		4	
8	544 29 48-01	LOCKING PLATE		1	
9	725 53 72-65	SCREW IHSCM		2	
10	579 16 40-02	CLUTCH ASSY	Incl. Pos. 11-16	1	
11	537 40 37-01	CLUTCH SHOE	1 clutch shoe only	1	10
12	578 76 94-01	CLUTCH SPRING	Ø 1.8 mm	1	10
13	537 40 36-01	CLUTCH HUB		1	10
14	544 89 28-01	WASHER		2	10
15	537 13 54-01	BEARING BUSH		3	10
16	503 20 18-02	SCREW EHHM		3	10
17	586 55 33-02	CLUTCH DRUM ASSY		1	
18	735 31 17-00	CIRCLIP		1	

G 555
CYLINDER COVER



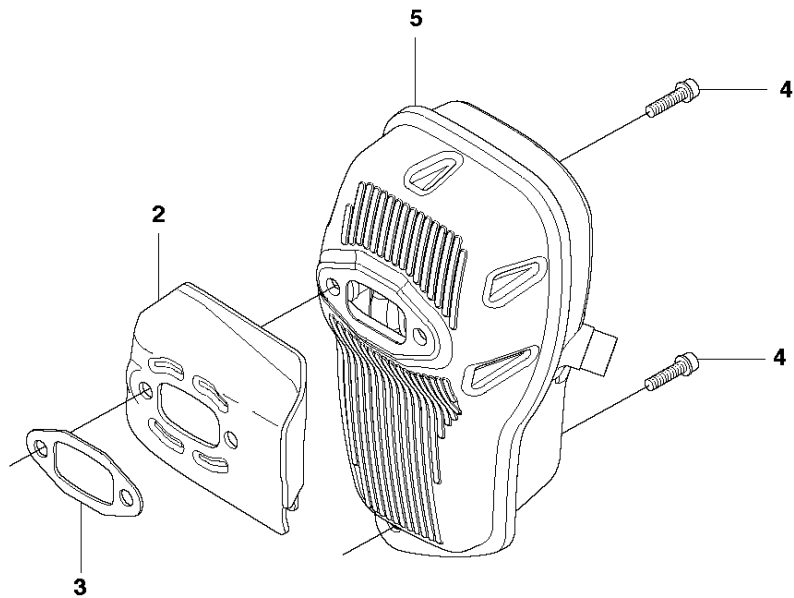
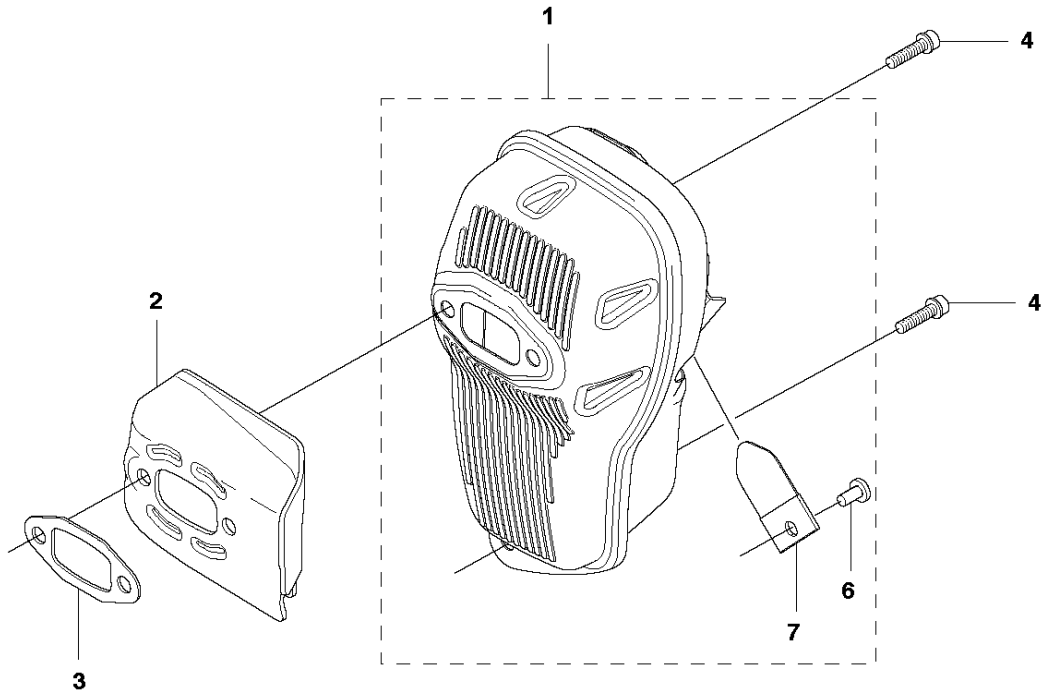
- 8 — **EEET**
- 8 — **EEF**
- 8 — **EEET**
- 8 — **EEET**

CYLINDER COVER

555 FRM

Ref	Part No	Description	Remark	QTY	KIT
1	575 51 14-01	CYLINDER COVER ASSY	Spare part incl. Screws Pos. 2-3	1	
2	573 99 43-04	SCREW IHSCFMO	Captive Screw M5	3	1
3	573 99 43-01	SCREW IHSCFMO	Captive Screw M5	1	1
4	544 08 43-01	HEAT PROTECTOR		1	
5	503 20 07-76	SCREW IHSCFM		2	
6	505 49 26-01	PROTECTIVE COVER		1	
7	503 20 07-76	SCREW IHSCFM		2	
8	576 99 86-06	LABEL	FXT	1	
8	576 99 86-07	LABEL	FX	1	
8	576 99 86-08	LABEL	RXT	1	
8	576 99 86-09	LABEL	FRM	1	

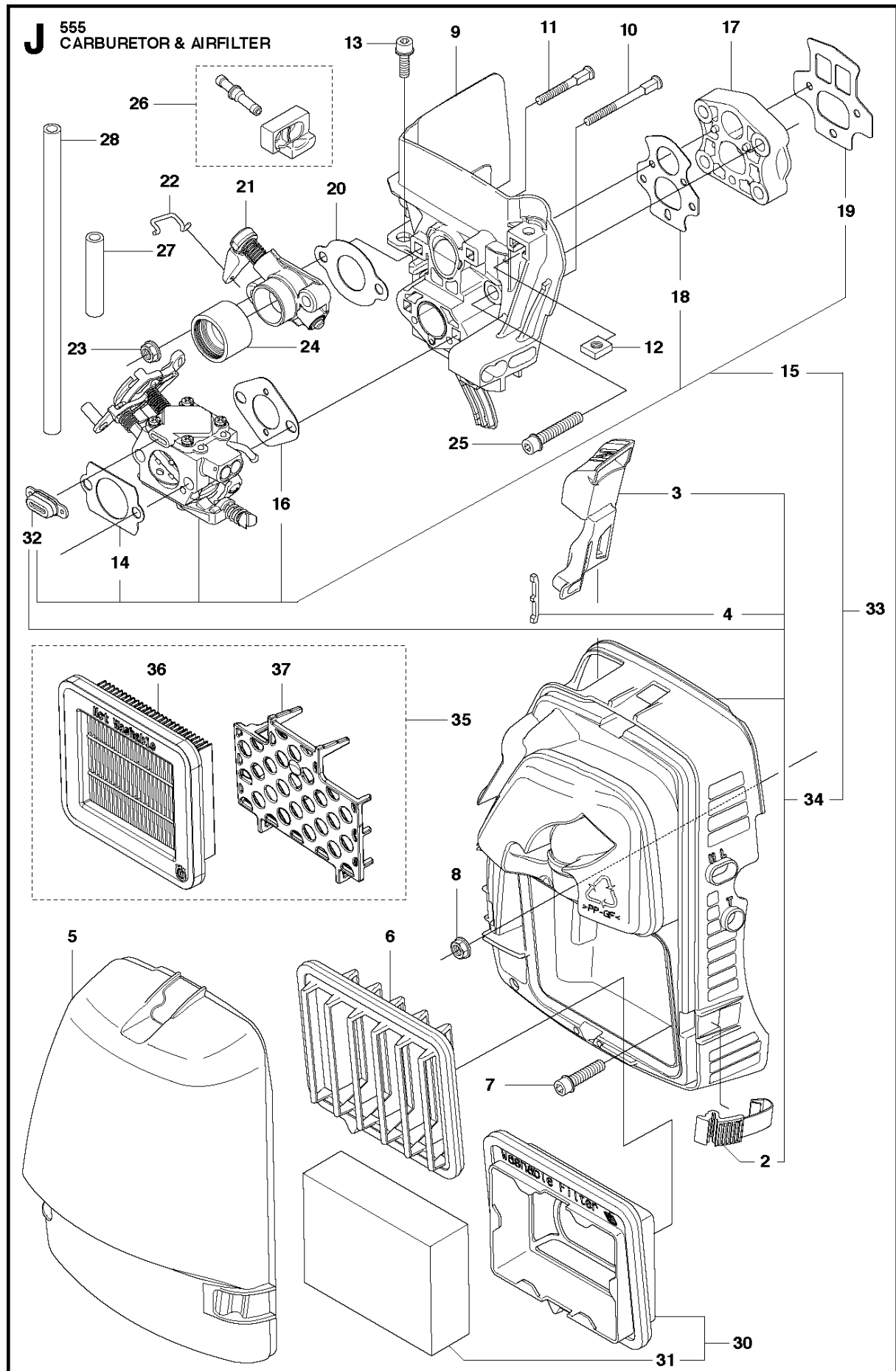
H 555
MUFFLER



MUFFLER

555 FRM

Ref	Part No	Description	Remark	QTY	KIT
1	537 36 03-01	MUFFLER ASSY	Mesh	1	
2	537 34 57-01	PLATE		1	
3	503 82 11-01	GASKET		1	
4	503 20 02-20	SCREW IHSCFM		3	
5	504 03 79-01	MUFFLER	Pipe	1	
6	724 12 87-59	SCREW CRPANM		1	1
7	537 35 46-01	SPARK ARRESTOR SCREE		1	1



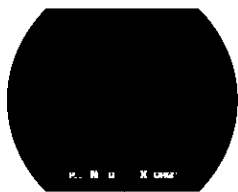
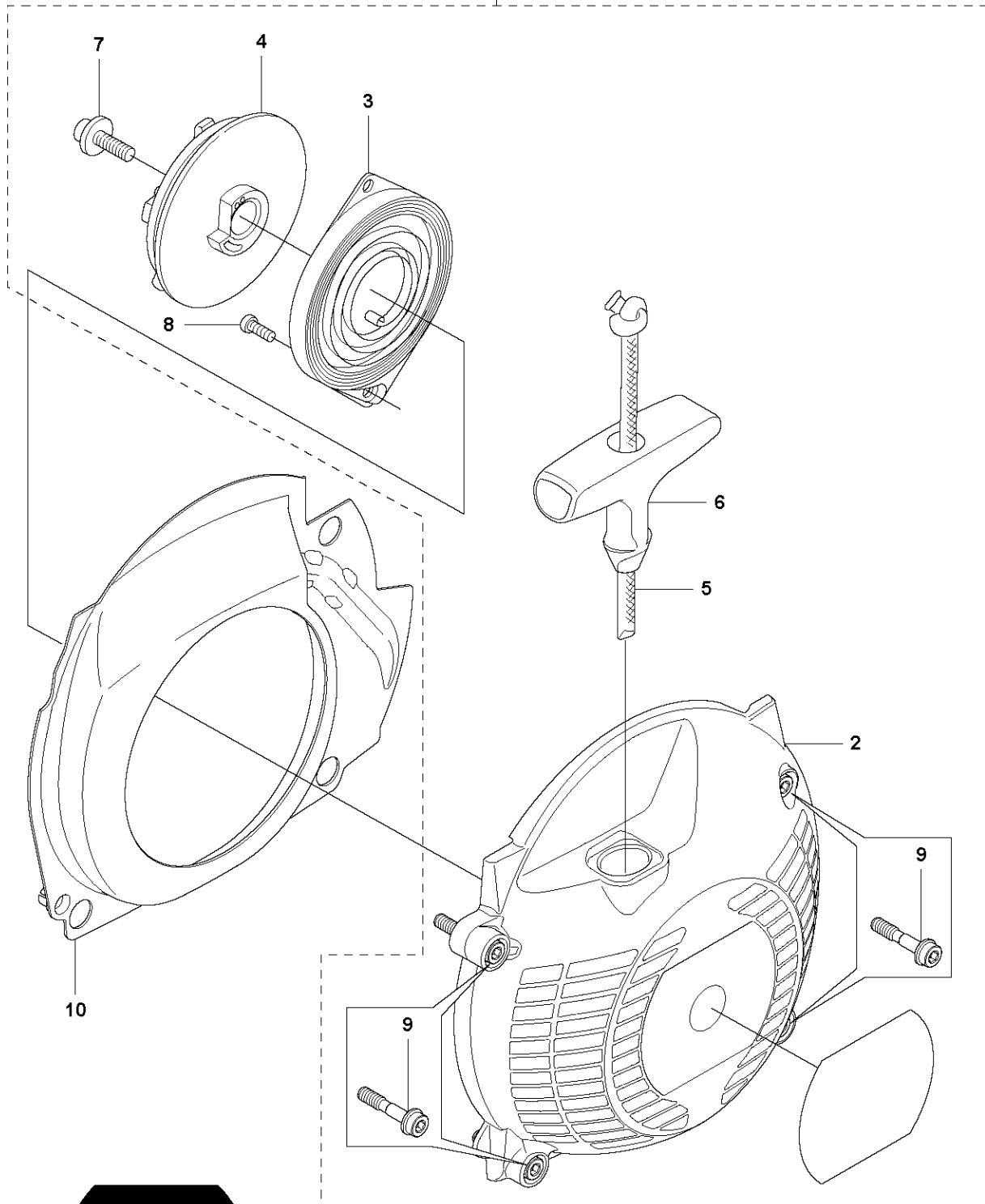
CARBURETOR & AIR FILTER

555 FRM

Ref	Part No	Description	Remark	QTY	KIT
2	503 74 01-02	SNAP LOCKING		3	34
3	537 35 26-01	CHOKE CONTROL		1	34
4	537 38 78-01	GROMMET		1	34
5	537 41 01-01	FILTER COVER		1	
6	537 41 08-01	FILTER	Nylon 80/32 Winter	1	
6	537 41 08-02	FILTER	Nylon 44/27	1	
7	503 20 07-76	SCREW IHSCFM		2	
8	731 71 14-51	HEXAGON NUT FLANGE		2	
9	537 35 04-01	INSULATION WALL		1	
10	503 98 81-01	SCREW		2	
11	503 98 81-04	SCREW		2	
12	503 22 65-04	SQUARE NUT		1	
13	503 20 07-76	SCREW IHSCFM		1	
14	544 42 99-01	GASKET		1	15
15	586 10 88-01	CARBURETTOR	s/n from 20130600067 -	1	
16	510 04 37-01	GASKET		1	15
17	544 04 33-01	MANIFOLD		1	
18	544 04 30-01	GASKET		1	15
19	544 04 31-01	GASKET		1	15
20	544 16 08-01	GASKET		1	
21	544 21 40-01	VALVE HOUSING		1	
22	544 84 78-01	LINK		1	
23	731 71 14-51	HEXAGON NUT FLANGE		2	
24	537 41 05-01	INLET PIPE		1	
25	503 20 07-80	SCREW IHSCFM		4	
26	544 16 15-01	GROMMET	Kit	1	
27	581 75 61-41	FUEL HOSE		1	
28	544 32 49-14	FUEL HOSE		1	
30	505 03 47-02	FILTER		1	
31	505 03 10-03	FILTER		1	30
32	577 96 93-01	SEALING PLUG	s/n from 20130600067 -	1	15, 34
32	579 62 01-01	SEALING PLUG	s/n up to - 20130600066	1	
33	586 15 40-01	CARBURETTOR KIT	s/n up to - 20130600066	1	15, 34
34	580 48 26-01	FILTER HOLDER		1	
35	596 32 49-01	AIR FILTER		1	
36	574 66 80-03	FILTER	Paper filter	1	
37	589 68 66-01	SUPPORT		1	

K 555
STARTER

1



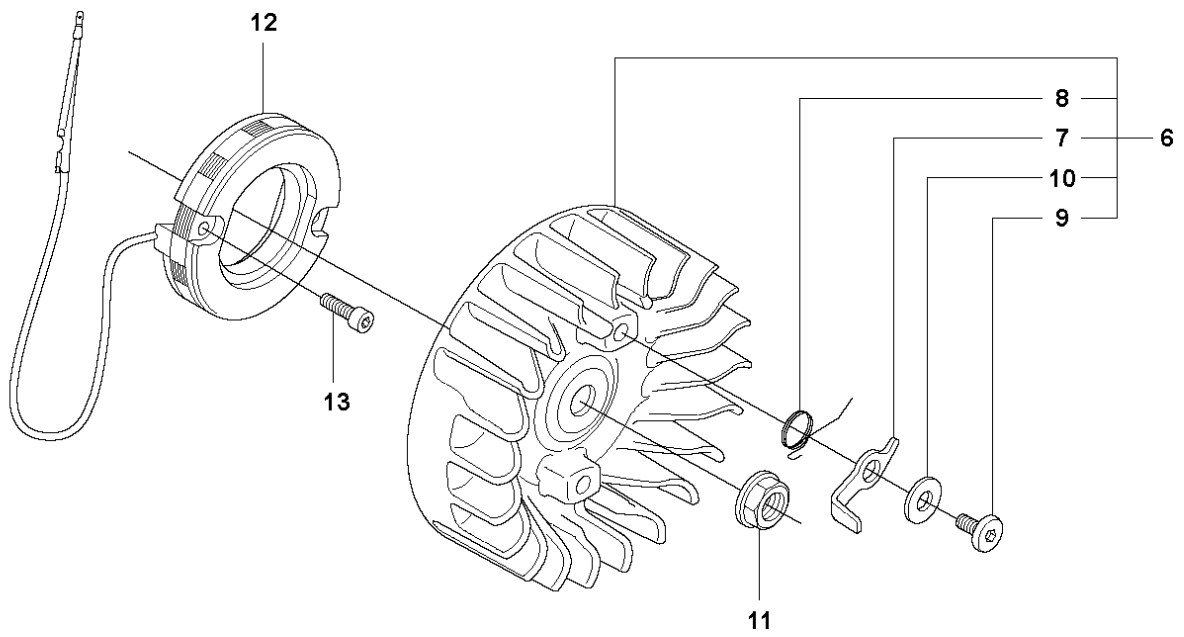
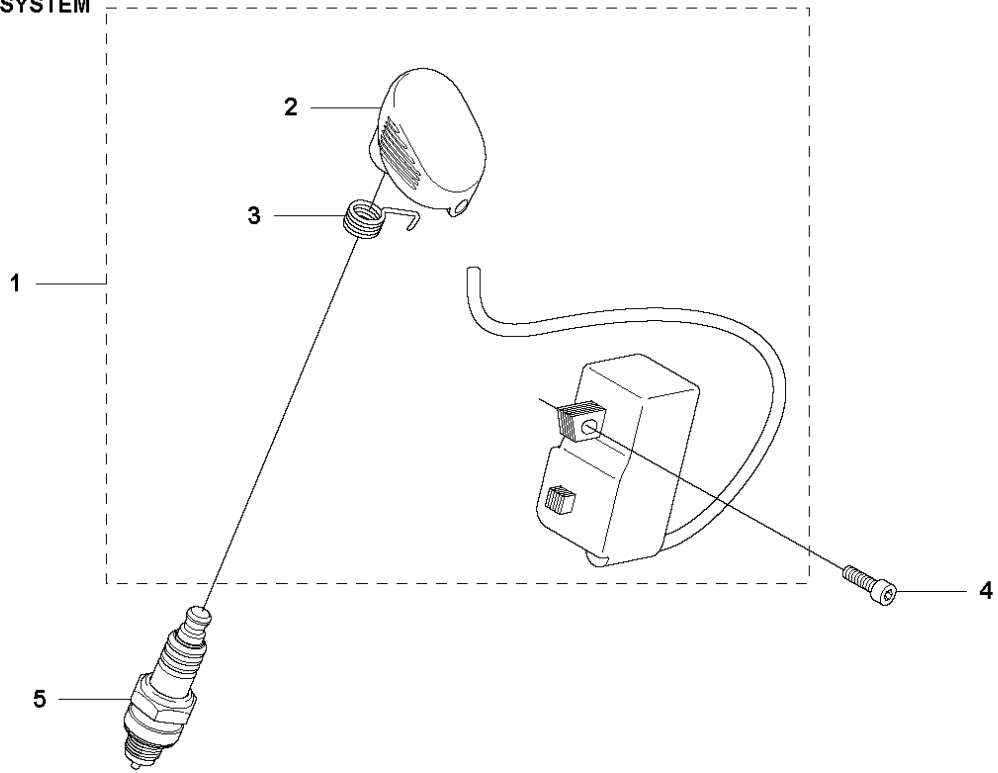
11

STARTER

555 FRM

Ref	Part No	Description	Remark	QTY KIT	
1	575 51 17-01	STARTER ASSY	Incl. Pos. 2-9	1	
2	575 51 26-01	STARTER HOUSING	Spare part incl. Screws Pos. 9	1	1
3	502 20 06-01	SPRING CASSETTE ASSY		1	1
4	503 95 73-01	STARTER PULLEY		1	1
5	505 30 51-25	STARTER CORD		1	1
6	537 23 25-01	STARTER HANDLE		1	1
7	503 21 69-16	SCREW IH SCT		1	1
8	503 21 29-06	SCREW CCRPANT		2	1
9	573 99 43-04	SCREW IH SCFMO	Captive Screw M5	4	1, 2
10	537 34 56-01	AIR CONDUCTOR		1	
11	576 46 81-01	LABEL		1	

L 555
IGNITION SYSTEM

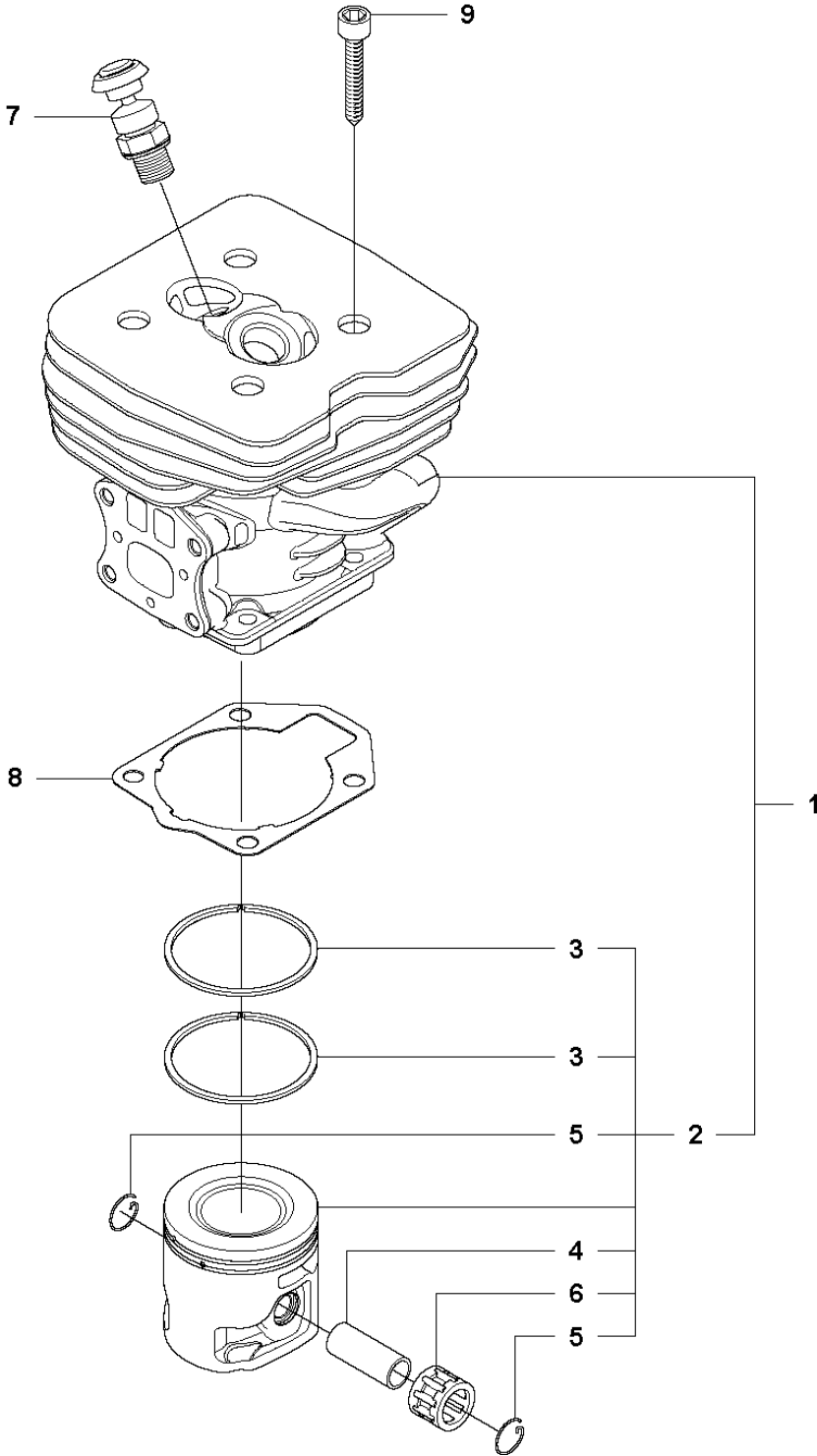


IGNITION SYSTEM

555 FRM

Ref	Part No	Description	Remark	QTY	KIT
1	504 70 87-01	IGNITION MODULE	Pos. 2-3	1	
2	537 41 22-01	SPARK PLUG CAP		1	1
3	501 48 56-01	CONTACT SPRING		1	1
4	503 20 25-16	SCREW IHSCM		2	
5	503 23 51-11	SPARK PLUG	NGK BPMR7A	1	
6	537 24 05-01	FLYWHEEL ASSY	RXT, FX, FRM Incl. Pos. 7-10	1	
6	537 24 05-02	FLYWHEEL ASSY	FXT Incl. Pos. 7-10	1	
7	503 81 24-01	STARTER PAWL		2	6
8	503 81 29-01	SPRING		2	6
9	501 81 99-03	SCREW		2	6
10	503 23 00-42	WASHER		2	6
11	503 22 04-01	NUT		1	
12	537 25 63-02	GENERATOR STATOR	FXT	1	
13	544 44 43-01	SCREW IH SCT	FXT	2	

M 555
CYLINDER & PISTON

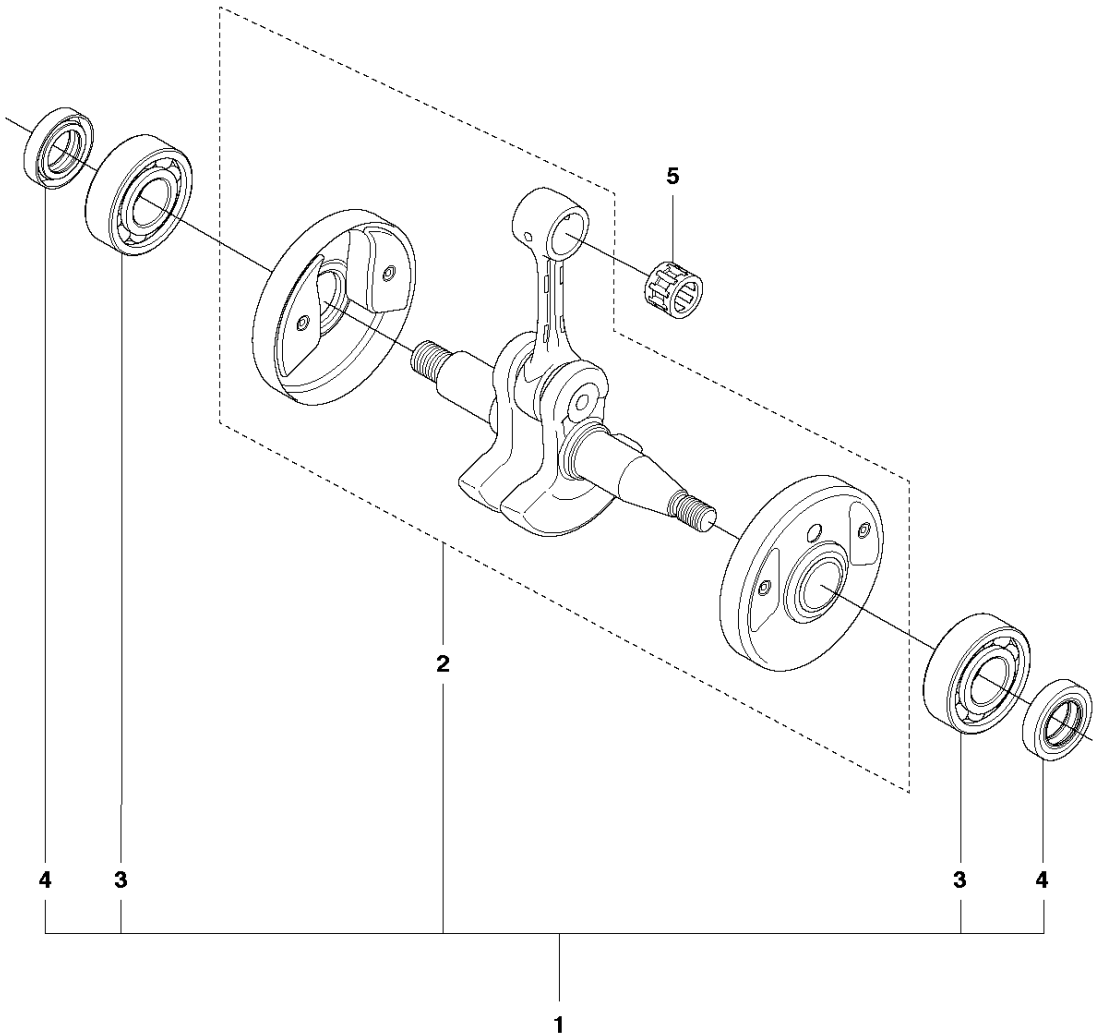


CYLINDER PISTON

555 FRM

Ref	Part No	Description	Remark	QTY	KIT
1	544 98 60-02	CYLINDER ASSY	Incl. Pos. 2-6	1	
2	576 95 48-01	PISTON ASSY	Incl. Pos. 3-6	1	1
3	502 65 39-01	PISTON RING		2	1, 2
4	505 49 57-01	PISTON PIN		1	1, 2
5	505 49 58-01	CIRCLIP		2	1, 2
6	501 45 16-01	NEEDLE BEARING		1	1, 2
7	544 20 00-01	DECOMPRESSION VALVE		1	
8	537 34 68-01	GASKET		1	
9	725 53 33-55	SCREW IHSCM		4	

N 555
CRANK SHAFT

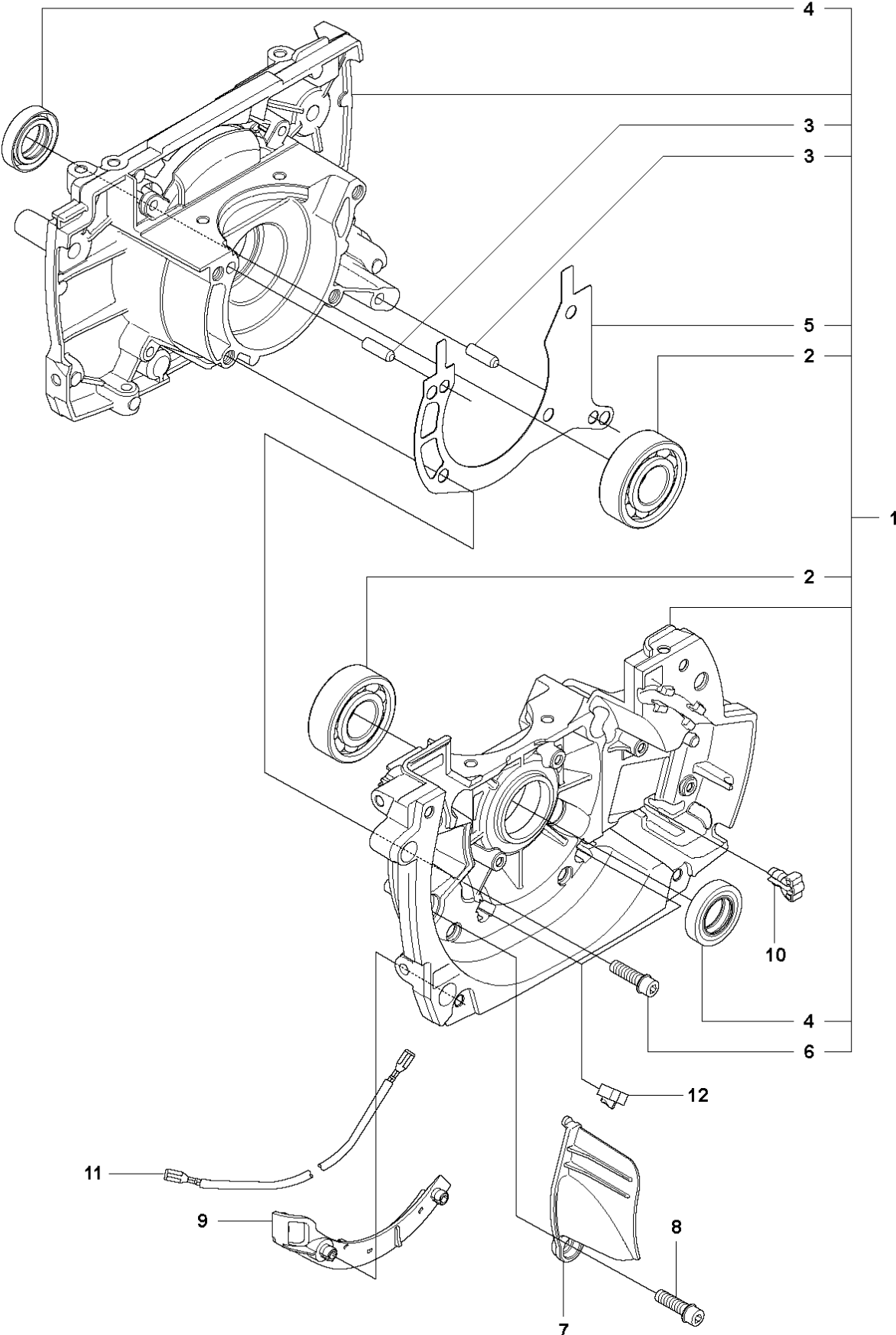


CRANKSHAFT

555 FRM

Ref	Part No	Description	Remark	QTY	KIT
1	544 95 26-02	CRANKSHAFT		1	
2	537 29 38-04	CRANKSHAFT		1	
3	738 22 02-25	BALL BEARING		2	1
4	503 26 02-04	SEALING RING		2	1
5	501 45 16-01	NEEDLE BEARING		1	

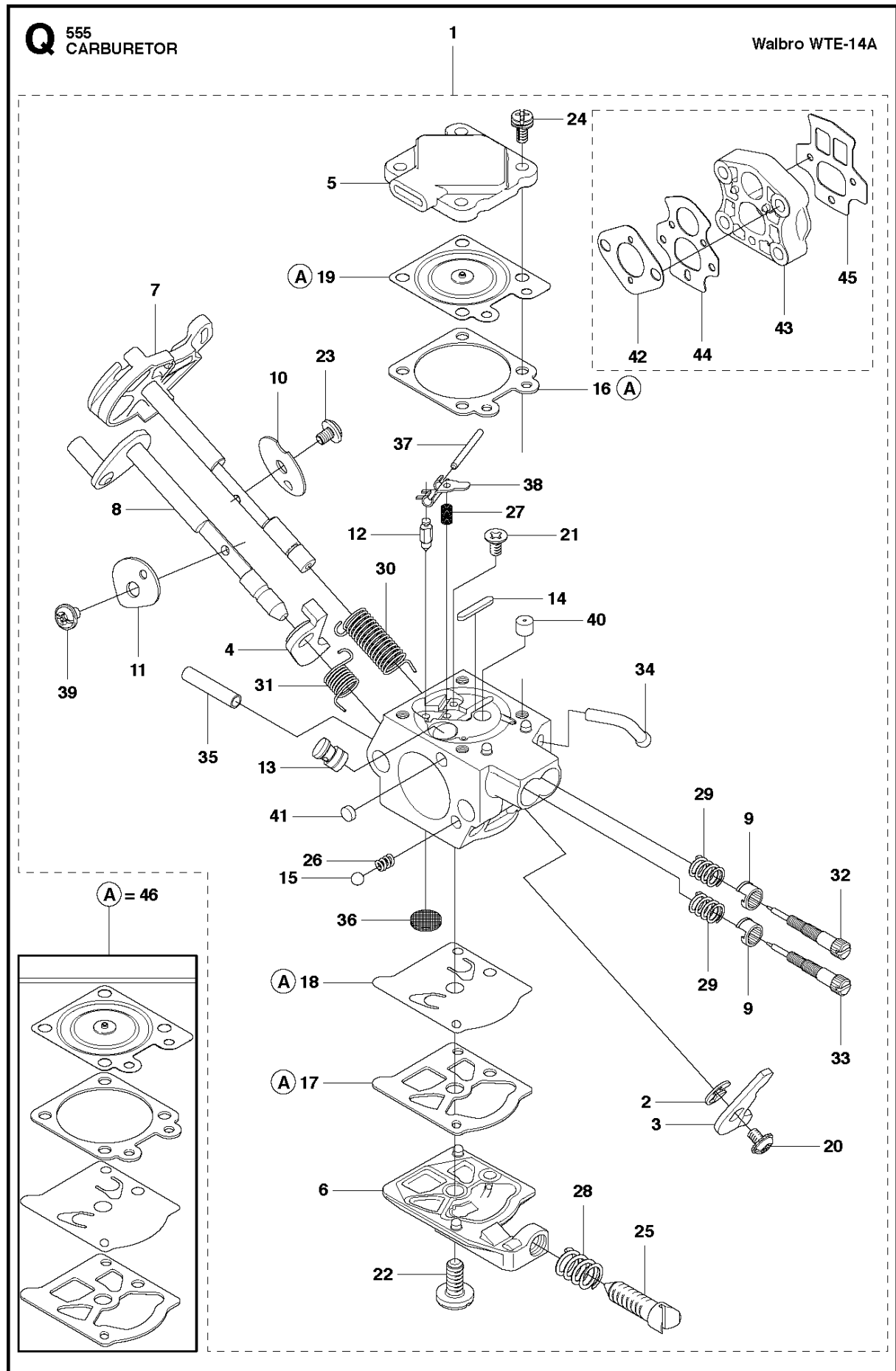
P 555
CRANKCASE



CRANKCASE

555 FRM

Ref	Part No	Description	Remark	QTY	KIT
1	544 95 25-01	CRANKCASE	up to s/n - 20175100006	1	
1	544 95 25-02	CRANKCASE	from s/n 20175100007 -	1	
2	503 25 08-01	BEARING		2	1
3	501 27 08-01	GUIDE BUSHING	from s/n 20175100007 -	2	
3	720 13 07-10	PARALLEL PIN	up to s/n - 20175100006	2	1
4	503 26 02-04	SEALING RING		2	1
5	537 34 67-01	CRANKCASE	up to s/n - 20175100006	1	1
5	590 18 23-01	GASKET	from s/n 20175100007 -	1	
6	503 20 02-30	SCREW IHSCFM		5	1
7	544 09 45-01	NOZZLE		1	
8	503 20 25-16	SCREW IHSCM		1	
9	544 09 44-01	CABLE HOLDER		1	
10	540 07 01-01	RETAINER		1	
11	544 33 18-01	SHORT CIRCUIT CABLE		1	
12	501 04 44-01	RETAINER		2	

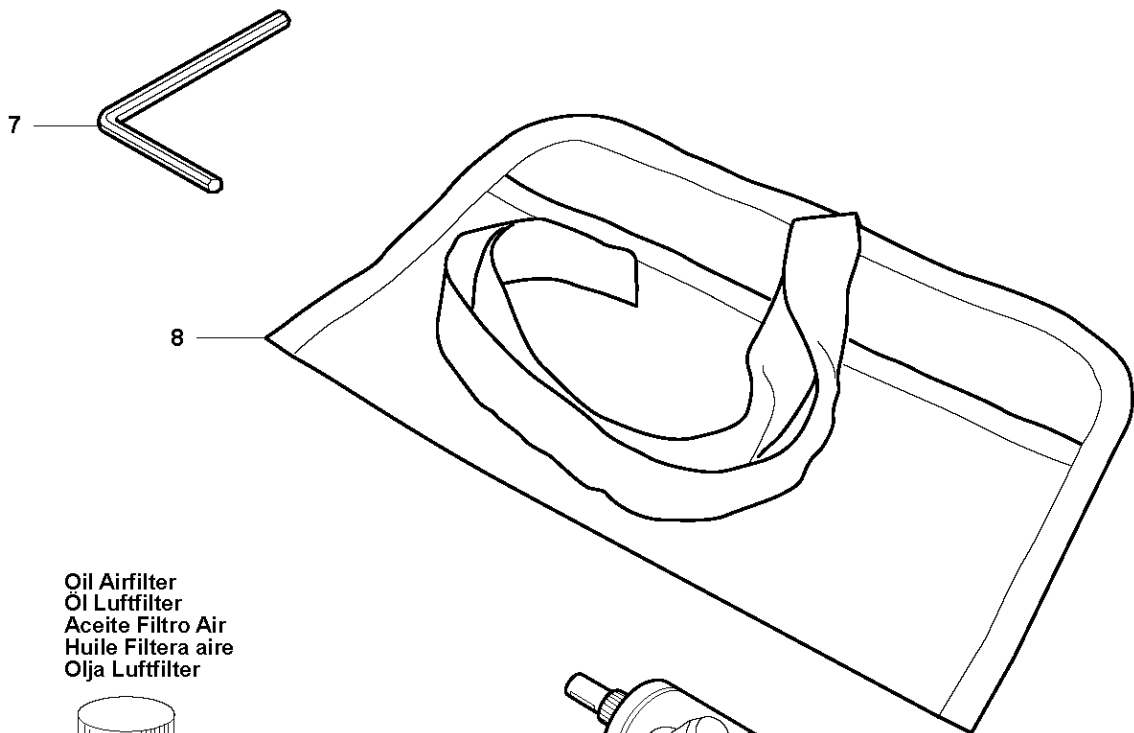
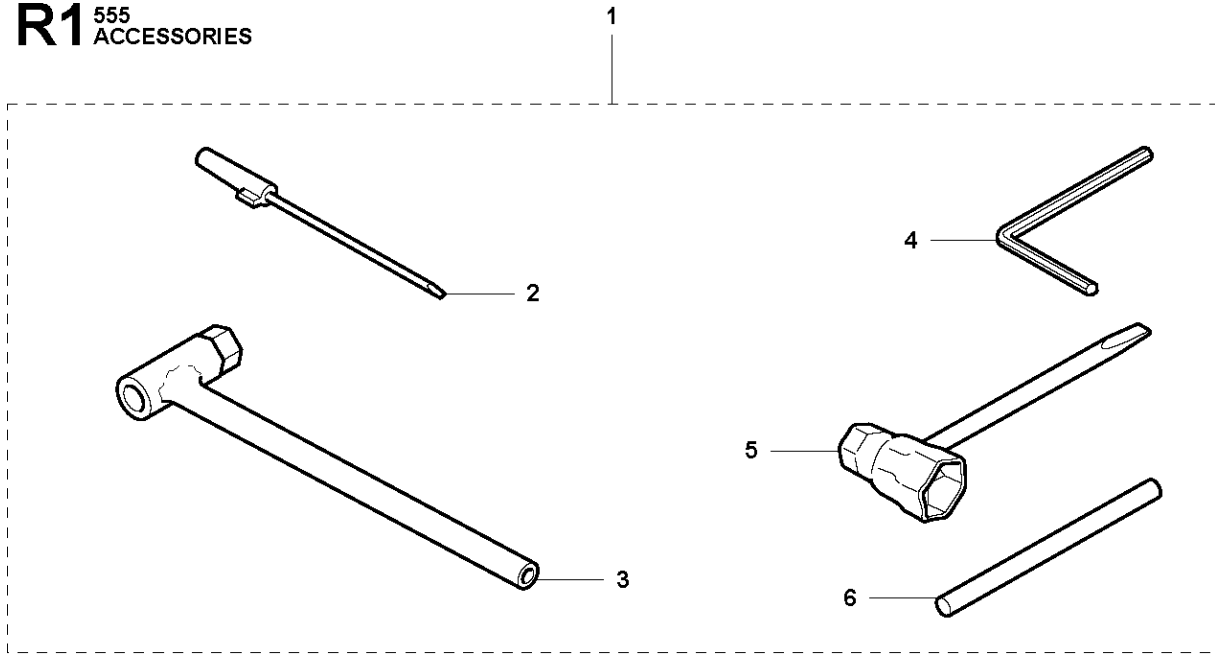


CARBURETOR

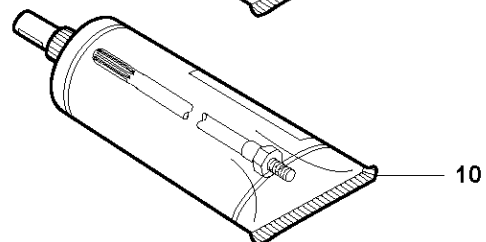
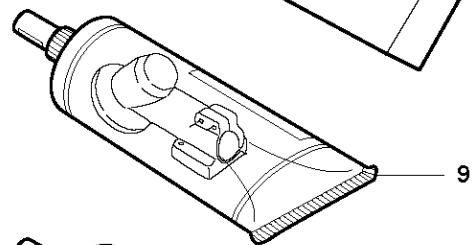
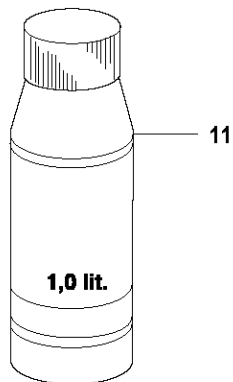
555 FRM

Ref	Part No	Description	Remark	QTY	KIT
1	586 10 88-01	CARBURETTOR	s/n from 20130600067 -	1	
1	586 15 40-01	CARBURETTOR KIT	s/n up to - 20130600067	1	
2	505 31 67-36	RING		1	1
3	544 97 07-01	LEVER		1	1
4	544 17 77-01	LEVER		1	1
5	574 35 81-01	COVER		1	1
6	503 58 43-01	COVER		1	1
7	544 04 36-01	SHAFT		1	1
8	544 04 40-01	SHAFT		1	1
9	544 97 08-01	LIMITER CAP		2	1
10	505 42 71-01	VALVE		1	1
11	537 10 96-01	VALVE		1	1
12	503 56 34-01	NEEDLE VALVE		1	1
13	502 84 68-01	NOZZLE ASSY		1	1
14	502 84 69-01	PLUG		1	1
15	501 46 85-01	BALL		1	1
16	504 35 09-06	GASKET		1	1, 42
17	504 13 09-06	GASKET		1	1, 42
18	577 01 66-01	DIAPHRAGM		1	1, 42
19	580 80 42-01	DIAPHRAGM		1	1, 42
20	501 46 87-01	SCREW		1	1
21	502 84 71-01	SCREW		1	1
22	501 46 69-01	SCREW		1	1
23	537 00 34-01	SCREW		1	1
24	537 00 31-01	SCREW		4	1
25	537 40 82-01	SCREW		1	1
26	501 46 84-01	SPRING		1	1
27	501 79 59-01	SPRING		1	1
28	501 66 78-01	SPRING		1	1
29	544 97 10-01	SPRING		2	1
30	544 17 76-01	SPRING		1	1
31	544 97 11-01	SPRING		1	1
32	502 84 72-01	NEEDLE		1	1
33	502 84 73-01	NEEDLE		1	1
34	544 97 15-01	FITTING		1	1
35	544 97 16-01	FITTING		1	1
36	501 66 61-01	SCREEN		1	1
37	505 52 01-25	PIN		1	1
38	502 84 74-01	LEVER		1	1
39	544 11 15-01	SCREW		1	1
40	505 42 69-01	JET		1	1
41	503 57 43-01	PLUG		1	1
42	TBD	TBD	Delivered with 510 24 20-01. Separate spare part, see page J.	1	1
43	TBD	TBD	Delivered with 510 24 20-01. Separate spare part, see page J.	1	1
44	TBD	TBD	Delivered with 510 24 20-01. Separate spare part, see page J.	1	1
45	TBD	TBD	Delivered with 510 24 20-01. Separate spare part, see page J.	1	1
46	515 99 96-01	KIT		1	

R1 ⁵⁵⁵
ACCESSORIES



Oil Airfilter
Öl Luftfilter
Aceite Filtro Air
Huile Filtera aire
Olja Luftfilter

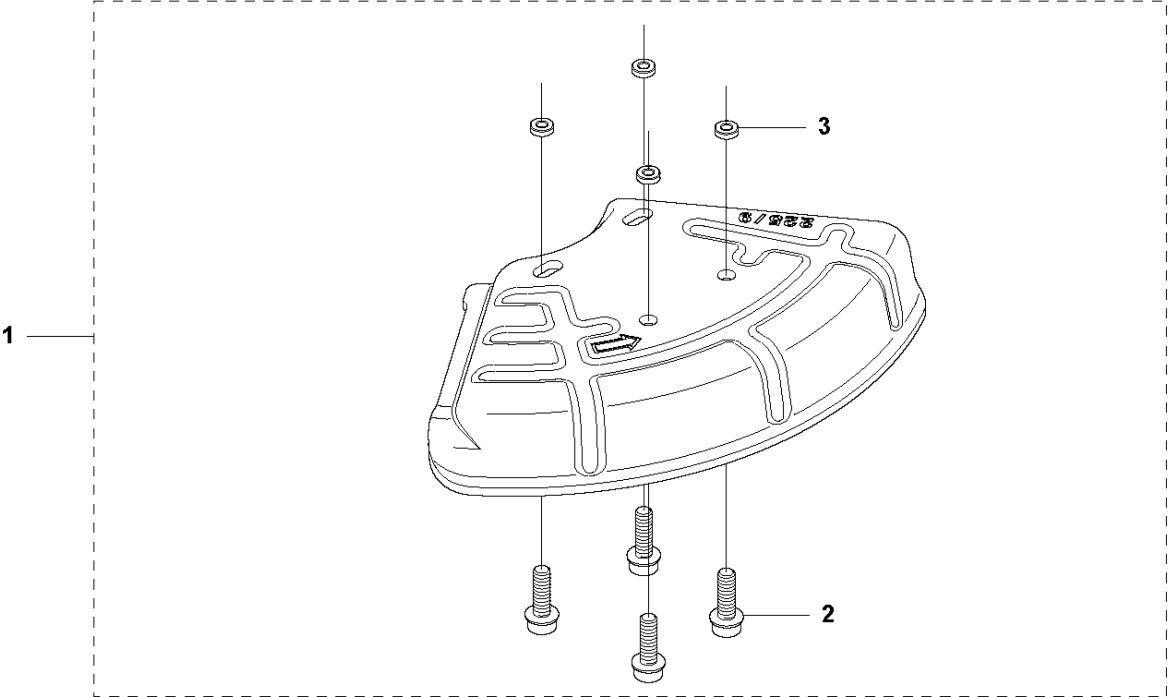


ACCESSORIES

555 FRM

Ref	Part No	Description	Remark	QTY	KIT
1	502 21 60-15	ACCESSORY BAG	Pos. 2-6	1	
2	501 60 02-03	SCREWDRIVER		1	1
3	502 11 46-03	KEY		1	1
4	502 21 58-01	WRENCH	4mm	1	1
5	501 69 17-01	COMBINATION WRENCH		1	1
6	502 28 59-01	STOP		1	1
7	503 55 86-05	SPANNER	5mm	1	
8	501 19 22-01	TOOL		1	
9	503 97 64-01	GREASE		1	
10	503 80 17-01	GREASE		1	
11	531 00 92-48	FILTER OIL	Filter oil	1	

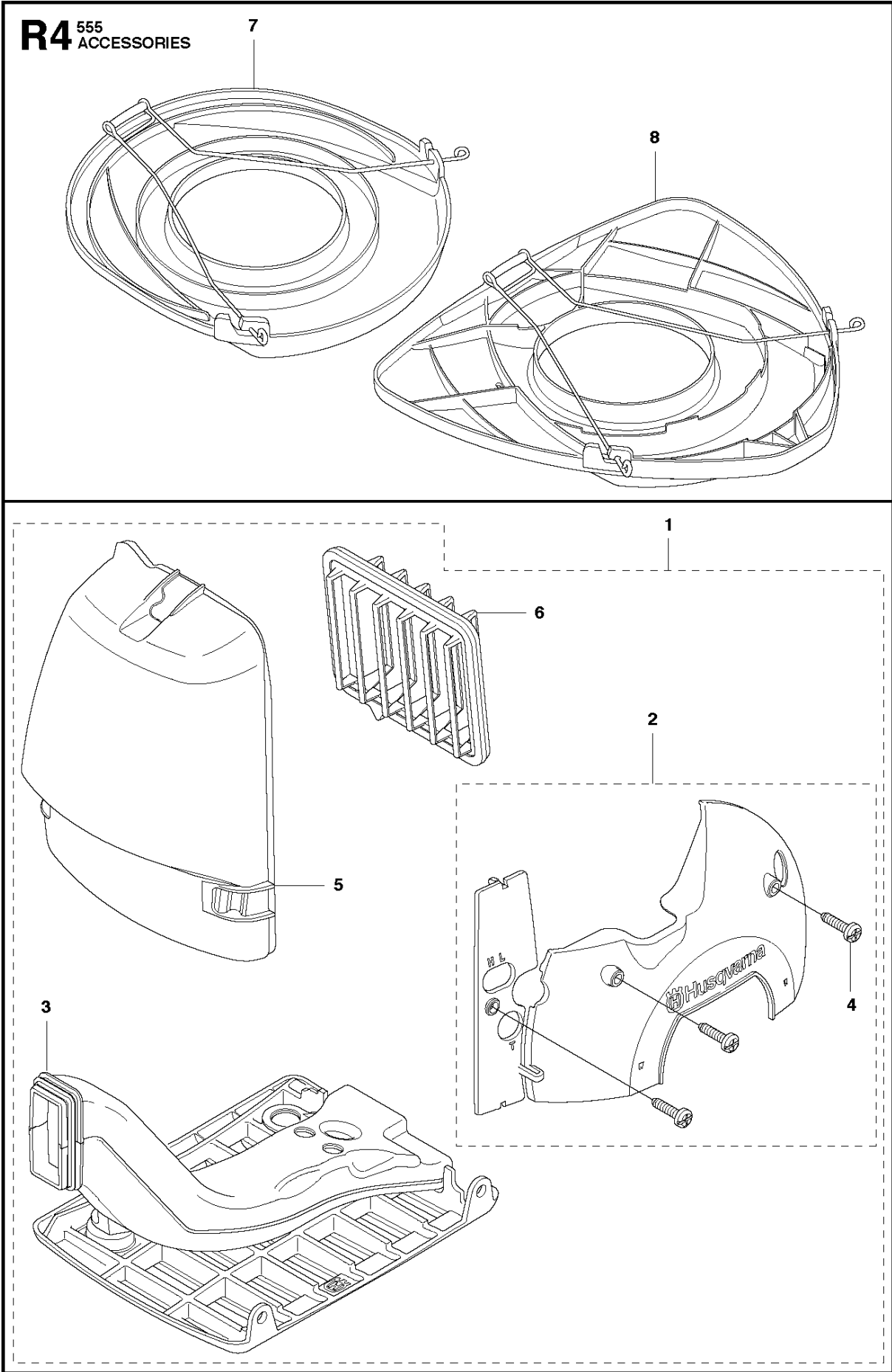
R3 555
ACCESSORIES



ACCESSORIES

555 FRM

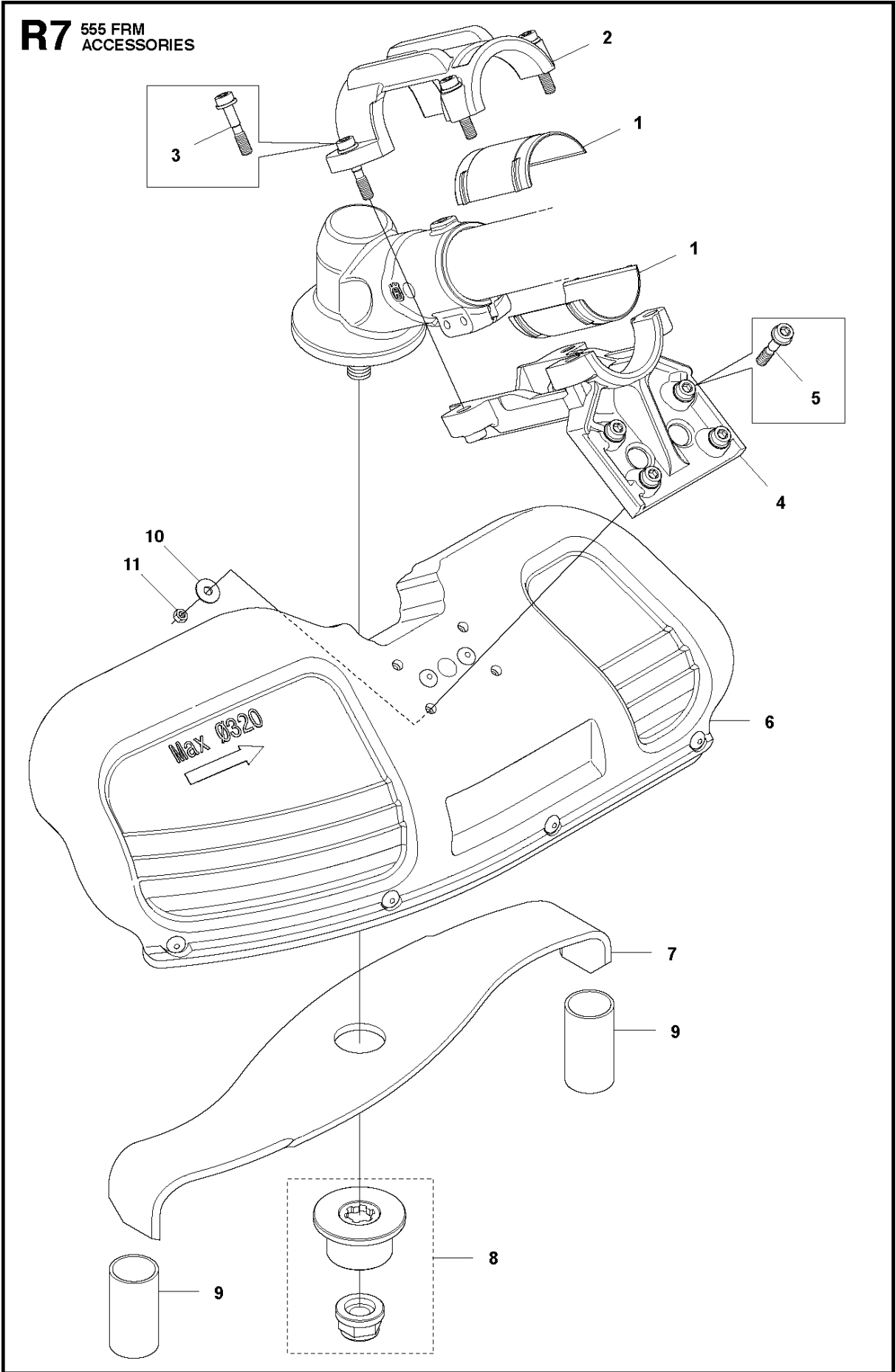
Ref	Part No	Description	Remark	QTY	KIT
1	574 50 67-02	SAW BLADE GUARD	FX, FXT Incl. Pos. 2-3	1	
2	503 20 03-16	SCREW IHSCFM		4	1
3	574 03 95-01	LOCKING NUT		4	1



ACCESSORIES

555 FRM

Ref	Part No	Description	Remark	QTY	KIT
1	502 43 58-01	WINTER KIT	Winter kit Incl. Pos. 2-6	1	
2	544 95 28-02	WINTER COVER		1	1
3	537 35 10-01	AIR DUCT		1	1
4	503 21 07-16	SCREW IHSCT		1	1
5	544 87 02-01	COVER		1	1
6	537 41 08-01	FILTER		1	1
7	537 31 29-01	TRANSPORT GUARD		1	
8	544 35 91-01	TRANSPORT GUARD		1	



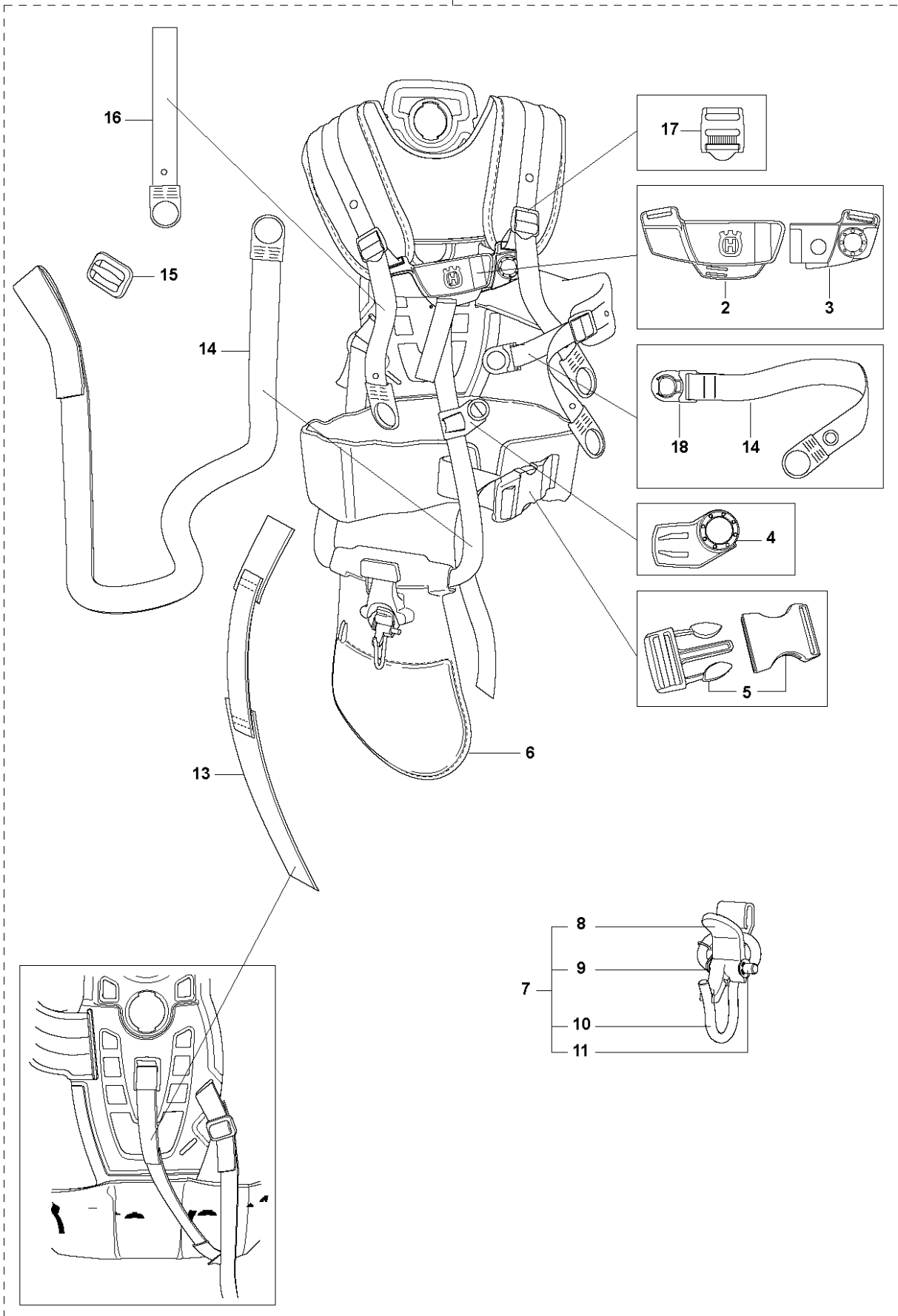
ACCESSORIES

555 FRM

Ref	Part No	Description	Remark	QTY	KIT
1	505 12 17-01	BUSHING		2	
2	501 32 14-01	CLAMP	Spare part incl. Screws Pos. 3	1	
3	573 99 43-04	SCREW IHSCFMO	Captive Screw M5	4	2
4	501 32 17-01	BRACKET	Spare part incl. Screws Pos. 5	1	
5	573 99 43-04	SCREW IHSCFMO	Captive Screw M5	4	4
6	544 02 65-02	BLADE GUARD		1	
7	589 69 56-01	BLADE		1	
8	593 66 59-01	SUPPORT FLANGE		1	
9	537 19 49-01	TRANSPORT GUARD		2	
10	734 11 47-41	WASHER		4	
11	732 21 14-01	LOCK NUT		4	

S BALANCE XT
HARNES

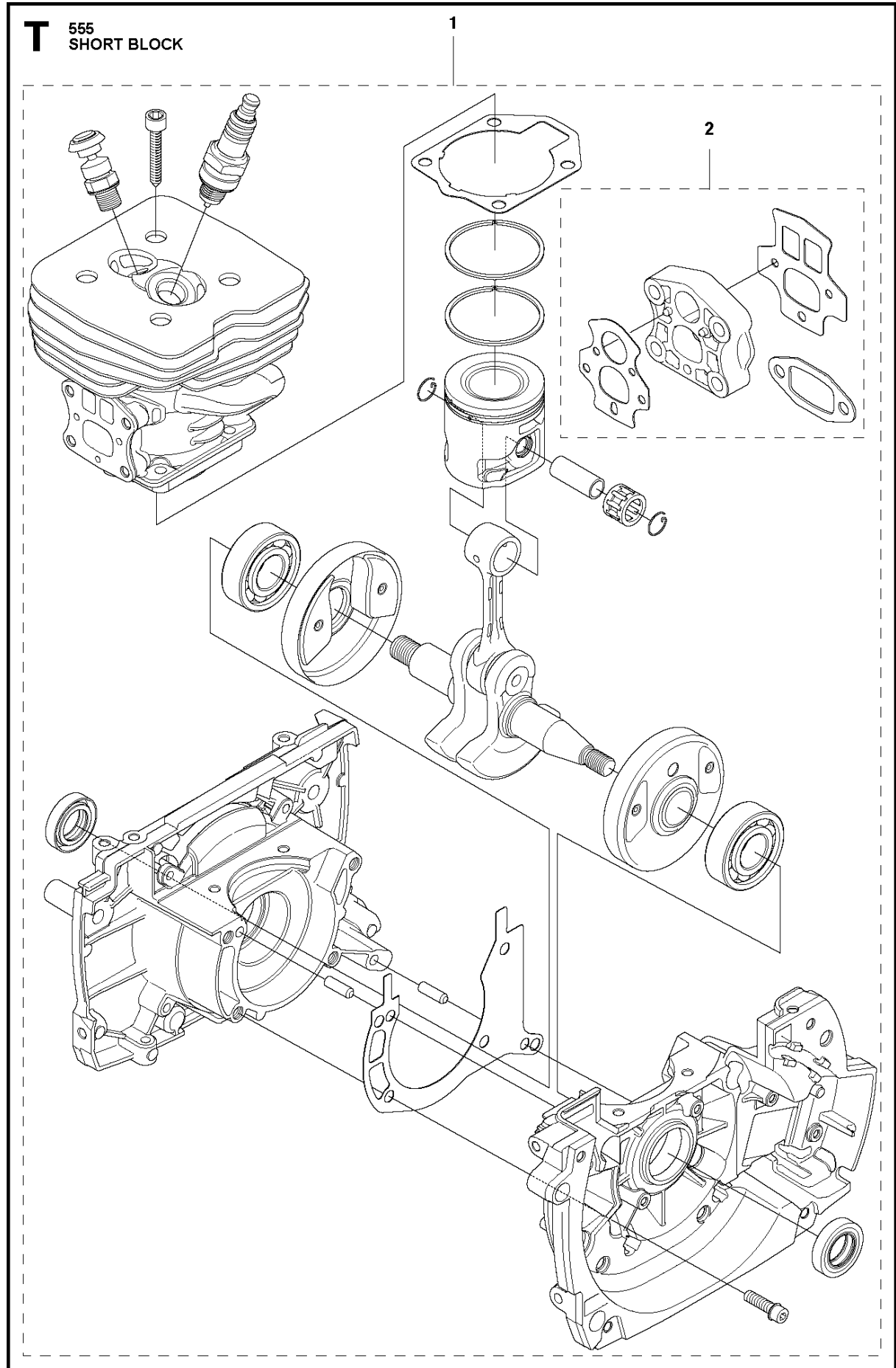
1



HARNESSES

555 FRM

Ref	Part No	Description	Remark	QTY	KIT
1	505 20 42-01	HARNESSES	Incl. Pos. 2-18	1	
2	504 54 52-01	BUCKLE		1	1
3	504 54 51-01	BUCKLE		1	1
4	504 63 75-01	SNAP LOCKING		1	1
5	537 33 15-01	BUCKLE		1	1
6	544 90 17-01	HIP PAD		1	1
7	544 96 07-02	WELT HOOK	Incl. Pos. 8-11	1	1
8	502 02 30-02	LOCK		1	1,7
9	586 34 10-01	SPRING		1	1,7
10	502 02 29-02	HOOK		1	1,7
11	735 31 09-20	E-CLIP		1	1,7
13	537 15 35-01	STRAP		1	1
14	503 99 61-04	BAND		1	1
15	537 11 35-01	RETAINER		1	1
16	503 99 61-07	BAND		2	1
17	505 44 46-01	BUCKLE		3	1
18	504 63 74-01	SNAP LOCKING		1	1



SHORT BLOCK

555 FRM

Ref	Part No	Description	Remark	QTY	KIT
1	576 79 88-01	SHORT BLOCK	Assembled	1	
2	576 79 87-01	GASKET KIT		1	1

Illustrated Parts List - IPL Update



Product Name(s)

555FRM

Description of change

Change from foam filter to paper filter. Added Support makes it possible to use paper filter.

Comments

Use Air filter kit 596 32 49-01 when changing filter on products produced before 2018-06.

Introduced from

Serial number / Date	Remark
2018-06	

IPL updates

Page title	Ref. no	New part no	Name	Excl. part no.	Remark
Carburetor & Air filter	35	596 32 49-01	Air filter		New kit incl pos 30 and 31. For products made before 2018-06
Carburetor & Air filter	36	574 66 80-03	Filter		Added
Carburetor & Air filter	37	589 68 66-01	Support		Added