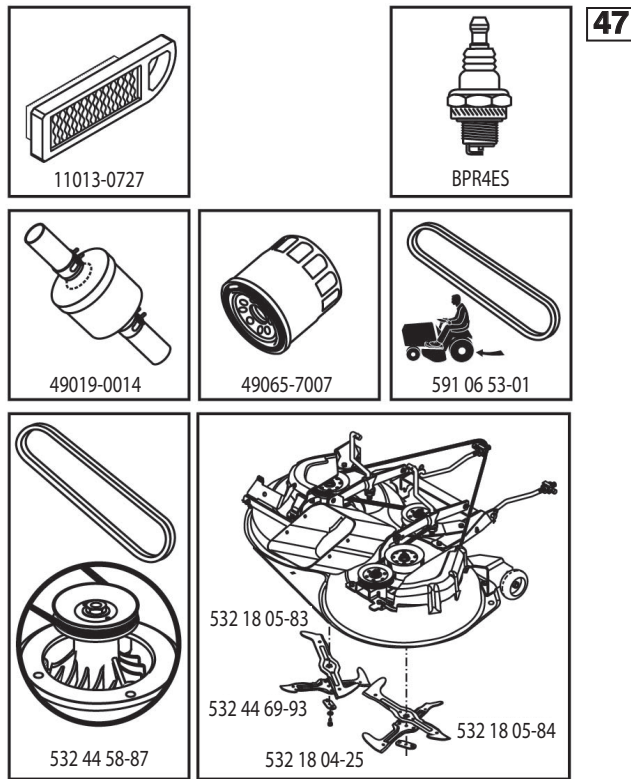


# ILLUSTRATED PARTS LIST

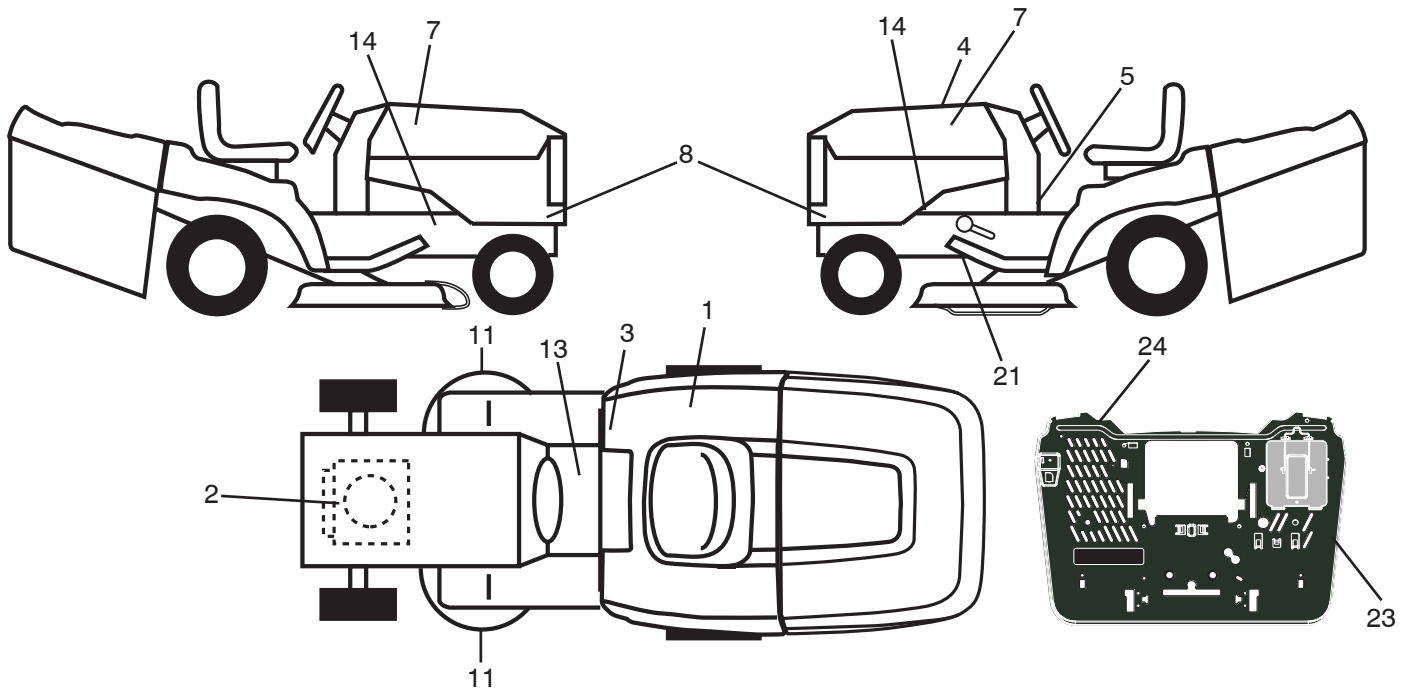
**MFG. ID NO. 96051016400**

**CUSTOMER CATALOG NO. TC 342**

**PRODUCT NO. 960 51 01-64**



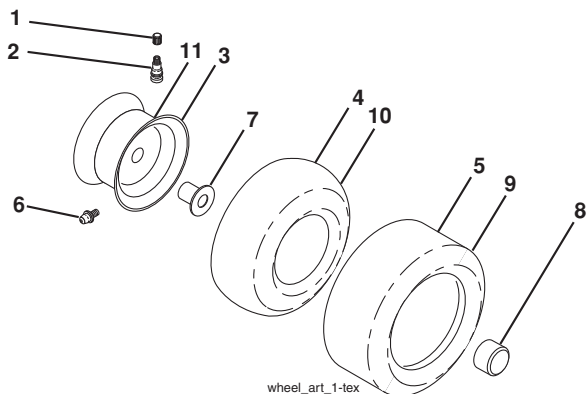
**TRACTOR - MODEL NO. TC 342 (96051016400), PRODUCT NO. 960 51 01-64  
DECALS 27**



KEY NO.	PART NO.	DESCRIPTION
1	501 08 26-01	Decal, ECM Australia 2016
2	581 57 97-01	Decal, Engine
3	586 80 03-01	Decal, Fwd/Rev Pedal
4	590 59 89-01	Decal, Replacement
5	581 57 84-01	Decal, Lower Dash
7	581 62 73-01	Decal, Hood
8	587 55 34-01	Decal, Side Panel
11	581 57 91-01	Decal, Mower Cut Finger Symbol

KEY NO.	PART NO.	DESCRIPTION
13	586 04 73-02	Decal, Tractor Saddle
14	581 57 96-01	Decal, Chassis Hot Muffler
21	532 44 11-89	Decal, Belt Schematic
23	532 44 46-19	Decal, Bypass
24	532 44 54-93	Decal, Warning Combined
--	532 44 14-09	Pad Footrest LH
--	532 44 14-10	Pad Footrest RH
--	115 88 44-26	Manual Operator's (English)

**WHEELS AND TIRES**



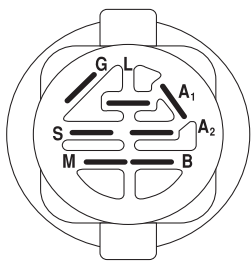
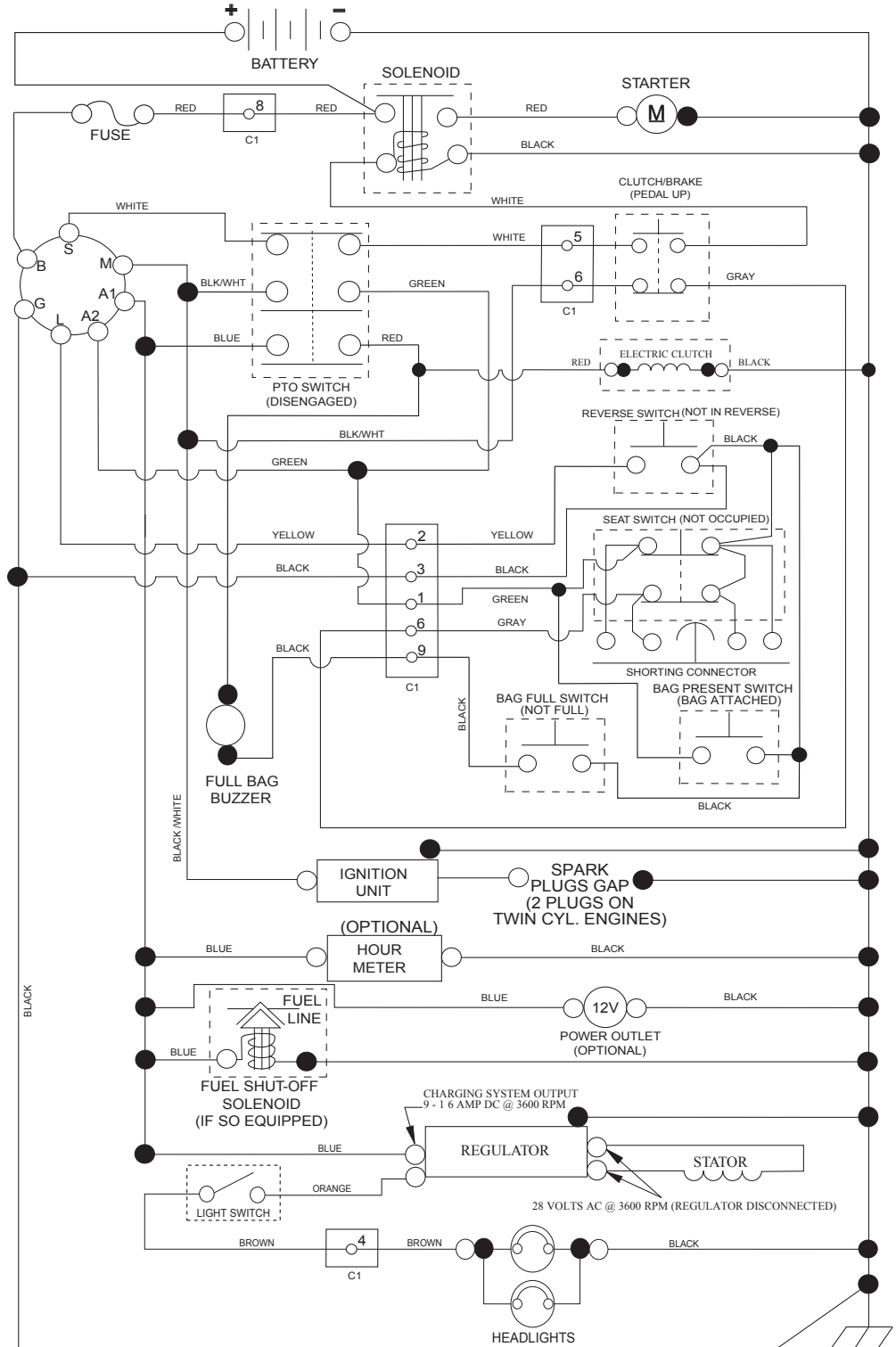
KEY NO.	PART NO.	DESCRIPTION
1	532 05 91-92	Cap Valve Tire
2	532 06 51-39	Stem Valve
3	532 13 83-36	Rim Front
4	532 05 99-04	Tube Front (Service Item Only)
5	532 17 04-55	Tire Front 15 x 6-6
6	532 12 49-57	Fitting Grease (Front Wheel Only)
7	532 12 49-59	Bearing Flange (Front Wheel Only)
8	532 17 50-39	Cap Axle Blk 1 50 x 1 00
9	588 69 19-01	Tire Rear 18 x 9.5-8
10	532 12 49-26	Tube Rear (Service Item Only)
11	532 13 83-37	Rim Asm 8" Rear
--	532 14 43-34	Sealant, Tire (10 oz. Tube)

**NOTE:** All component dimensions given in U.S. inches  
1 inch = 25.4 mm

# TRACTOR - MODEL NO. TC 342 (96051016400), PRODUCT NO. 960 51 01-64

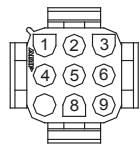
## SCHEMATIC **38**

SCH19

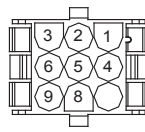


IGNITION SWITCH

POSITION	CIRCUIT	"MAKE"
OFF	M+G+A1	
RUN/OVERRIDE	B+A1	
RUN	B+A1	L+A2
START	B + S + A1	



CHASSIS HARNESS CONNECTOR (C1) (MATING SIDE)



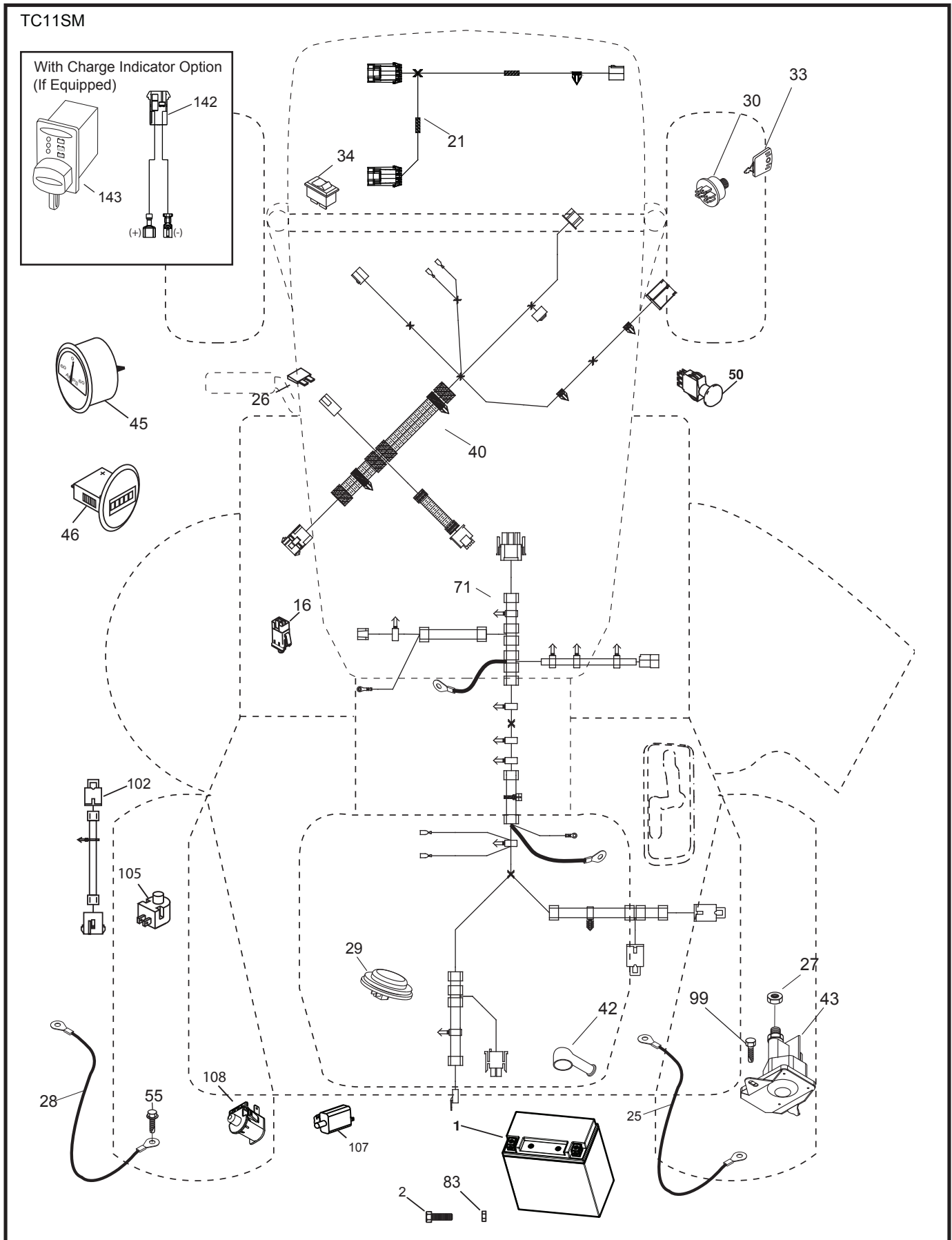
DASH HARNESS CONNECTOR (C1) (MATING SIDE)

WIRING INSULATED CLIPS  
NOTE: IF WIRING INSULATED CLIPS WERE REMOVED FOR SERVICING OF UNIT, THEY SHOULD BE RE-INSTALLED TO PROPERLY SECURE YOUR WIRING.

●  
NON-REMOVABLE CONNECTIONS

○  
REMOVABLE CONNECTIONS

**TRACTOR - MODEL NO. TC 342 (96051016400), PRODUCT NO. 960 51 01-64**  
**ELECTRICAL 32**



**TRACTOR - MODEL NO. TC 342 (96051016400), PRODUCT NO. 960 51 01-64  
ELECTRICAL 32**

<b>KEY NO.</b>	<b>PART NO.</b>	<b>DESCRIPTION</b>
1	532 43 71-57	Battery
2	532 44 09-23	Screw Hex Hd Cap M6 x 1.12mm
16	532 17 61-38	Switch Interlock Push-In
21	585 43 64-01	Harness Light
25	589 32 37-01	Cable, Batt. 8 Ga. Red
26	532 17 51-58	Fuse
27	873 51 04-00	Nut Keps Hex 1/4-20 unc
28	589 32 36-01	Cable, Batt. BLCK10 SLV
29	532 40 15-45	Switch, Seat
30	532 19 33-50	Switch, Ign
33	532 41 19-33	Key/Chain
34	532 11 07-12	Switch Light
40	587 30 48-01	Harness Ign. Dash
42	532 13 15-63	Cover Terminal Red
43	582 04 28-01	Solenoid
45	587 55 39-03	Ammeter Guage Round
46	587 55 40-03	Gauge Serviceminder Hrmtr
50	582 10 76-01	Switch PTO
55	817 06 05-12	Screw Thdrol 5/16-18 x 3/4 TYTT
71	532 44 08-20	Harness Ignition Chassis
83	532 43 67-74	Nut Square M6 x 1.8.5 x 11mm
99	817 00 05-12	Screw 5/16-18 x 3/4
102	532 44 12-62	Harness Jumper
105	532 40 75-68	Switch Reverse
107	532 18 03-79	Switch Full Bagger
108	589 50 03-01	Switch Snapmount

**NOTE:** All component dimensions given in U.S. inches  
1 inch = 25.4 mm



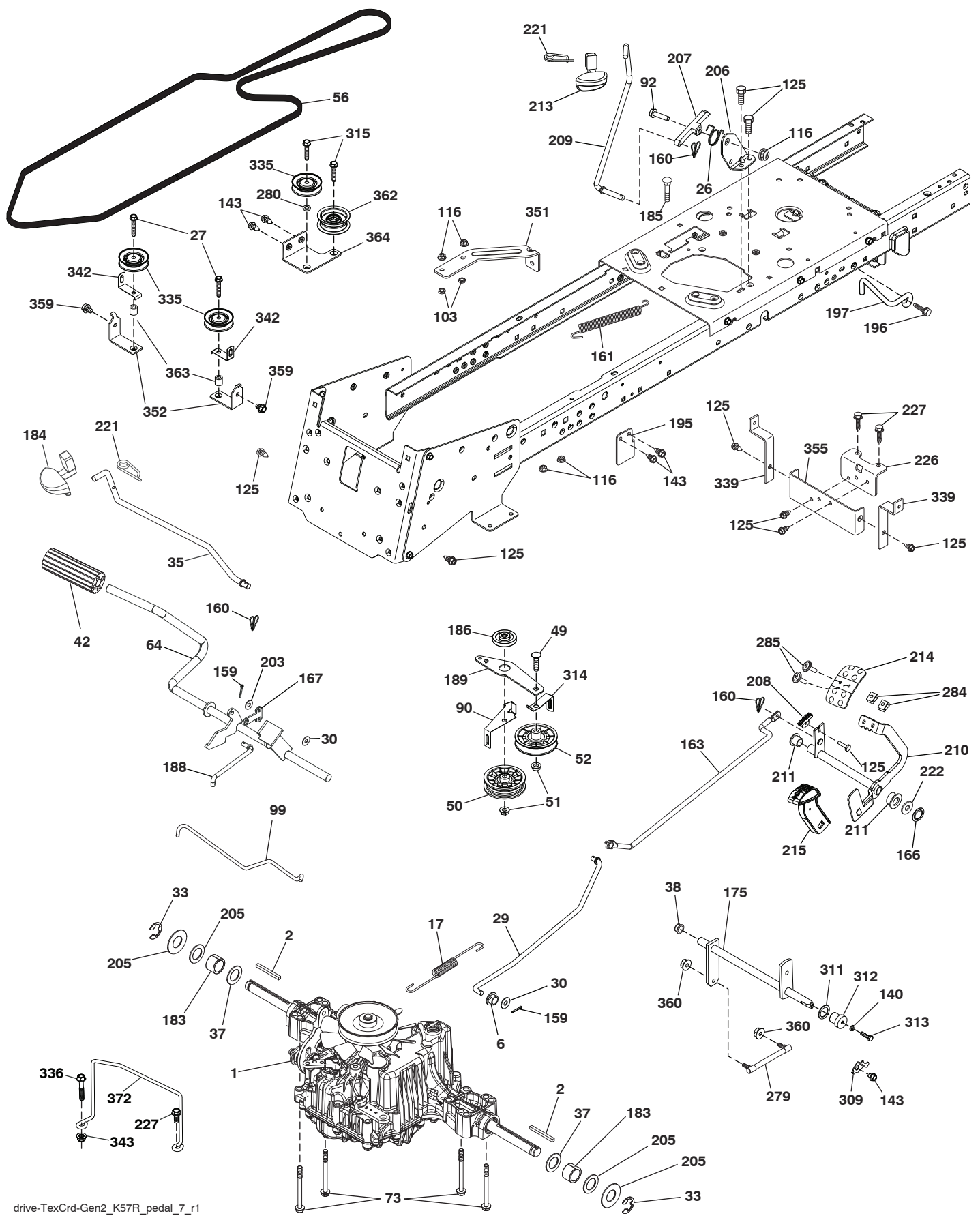
**TRACTOR - MODEL NO. TC 342 (96051016400), PRODUCT NO. 960 51 01-64  
CHASSIS AND ENCLOSURES 39**

KEY NO.	PART NO.	DESCRIPTION	KEY NO.	PART NO.	DESCRIPTION
3	532 44 44-81	Applique	241	817 06 05-16	Screw 5/16-18 x 1 SMGML Tap/R
5	582 09 11-01	Dash	246	591 44 90-01	Spring TCRD Gen 2.5 Bagger Ext.
14	532 44 11-77	Hood	247	582 55 26-02	Strap Battery TCRD Gen 2.5 x .431
15	585 42 03-01	Lens LH	248	872 11 05-04	Bolt Carr 5/16-unc x1/2
18	587 52 34-01	Grille	249	586 93 60-01	Screw Button 10-24 x 1/2 Ptchd
25	585 42 02-01	Lens RH	250	539 97 69-77	Nut #10-24 Hex Nylon Ring ZD
34	580 91 09-01	Plate Engine	251	589 31 89-04	Backplate Support Bracket
36	817 06 05-12	Screw 5/16-18 x 3/4	252	581 99 22-04	Backplate Support Bracket
37	532 44 14-19	Fender	253	539 11 56-20	Bolt Carr 1/4-20 x 3/4
52	873 68 05-00	Nut Lock 5/16-18	254	873 90 04-00	Nut Hex Flange 1/4-20 unc
62	872 11 06-08	Bolt RdHd Sqnk 3/8-16 x 1 Gr. 5	255	589 39 22-02	Bolt Cross Drilled 3/8-1/16 x 1.75
68	539 99 08-58	Screw Thdrol 5/16-18 x 1/2	256	532 19 70-33	Nut Jam 3/8-16
118	819 13 13-16	Washer 13/32 x 13/16 x 16 Ga.	257	589 74 66-02	Bagger Latch Assembly LH
119	873 68 06-00	Nut Crownlock 3/8-16 unc	258	589 74 67-02	Bagger Latch Assembly RH
130	532 41 63-58	Screw #10 x 0.750	282	532 41 41-10	Clip Retainer
137	532 40 75-90	Bumper Dash	283	532 44 72-12	Console Deck Lift LH
150	532 43 97-74	Air Duct	284	532 44 72-20	Console Shft RH
151	532 43 66-70	Bracket Pivot	287	817 60 04-06	Screw 1/4-20 x 3/8
152	532 43 98-70	Shield Browning	296	585 42 05-01	LED Light LH
162	532 14 24-32	Screw	297	586 18 29-01	Insert Reflective LH
175	590 60 77-02	Crossmember	299	585 42 04-01	LED Light RH
176	532 40 07-76	Screw 10-24 x 5/8	308	532 17 18-77	Bolt 5/16-18 unc x 3/4
177	532 19 52-28	Bushing Steering	309	582 55 25-02	Backplate
180	593 89 88-01	Chassis	319	581 31 39-07	Lever Bag
182	532 43 89-67	Dash Lower	334	532 44 25-37	Bracket Engine
183	874 52 05-20	Bolt 5/16-18 x 1-1/4	335	532 44 82-04	Cover RH Lower Close Out
189	817 00 05-12	Screw 5/16-18 x 3/4	336	532 44 53-09	Cover LH Lower Close Out
191	586 18 28-01	Insert Reflective RH	338	532 43 66-40	Bolt Shoulder
194	873 90 05-00	Nut Lock Hex Flange 5/16-18	339	532 43 66-41	Lever Bagger Full
195	532 40 41-37	Plug Hole Dash Lower	340	582 55 27-02	Door Battery
198	532 44 15-52	Indicator Deck Lift	341	582 06 08-01	Latch Battery Door Tex CRD
199	532 41 87-39	Plate Deck Lift	342	582 82 68-02	Supprt Fender
202	532 43 97-28	Vent Side Hood RH	343	532 44 07-49	Clip
203	532 43 97-27	Vent Side Hood LH	344	532 43 89-70	Control EZ Mulch
204	532 44 06-65	Vent Top Hood	345	532 44 06-39	Knob
205	532 43 97-30	Skirt Hood Side RH	347	532 44 28-87	Hitch Tow
206	532 43 97-29	Skirt Hood Side LH	350	532 44 51-43	Clip X-Mas Tree
207	585 42 00-02	Bezel RH	366	581 31 46-02	Bracket RH Front Bagger
208	585 42 01-02	Bezel LH	367	581 31 45-02	Bracket LH Front Bagger
213	539 97 69-34	Bolt 5/16-18 x 3/4 Gr. 5 ZD	368	581 42 48-01	Shourd Bag Full Lever
214	532 19 91-45	Clip Retainer Tinner	370	817 12 06-16	Screw, 3/8-16 x 1, Smgml, T
217	532 40 91-67	Rod Pivot	--	532 43 18-82	Kit Brush Guard
218	532 19 63-95	X-Piece Hood Stop			
228	532 19 51-61	Stud Fastner			
229	532 44 14-63	Lid Ext			
235	532 40 61-29	Spacer Fender			
236	873 93 05-00	Nut Lock 5/16-18 unc			

**NOTE:** All component dimensions given in U.S. inches  
1 inch = 25.4 mm



**TRACTOR - MODEL NO. TC 342 (96051016400), PRODUCT NO. 960 51 01-64**  
**DRIVE 40**



drive-TexCrd-Gen2\_K57R\_pedal\_7\_r1

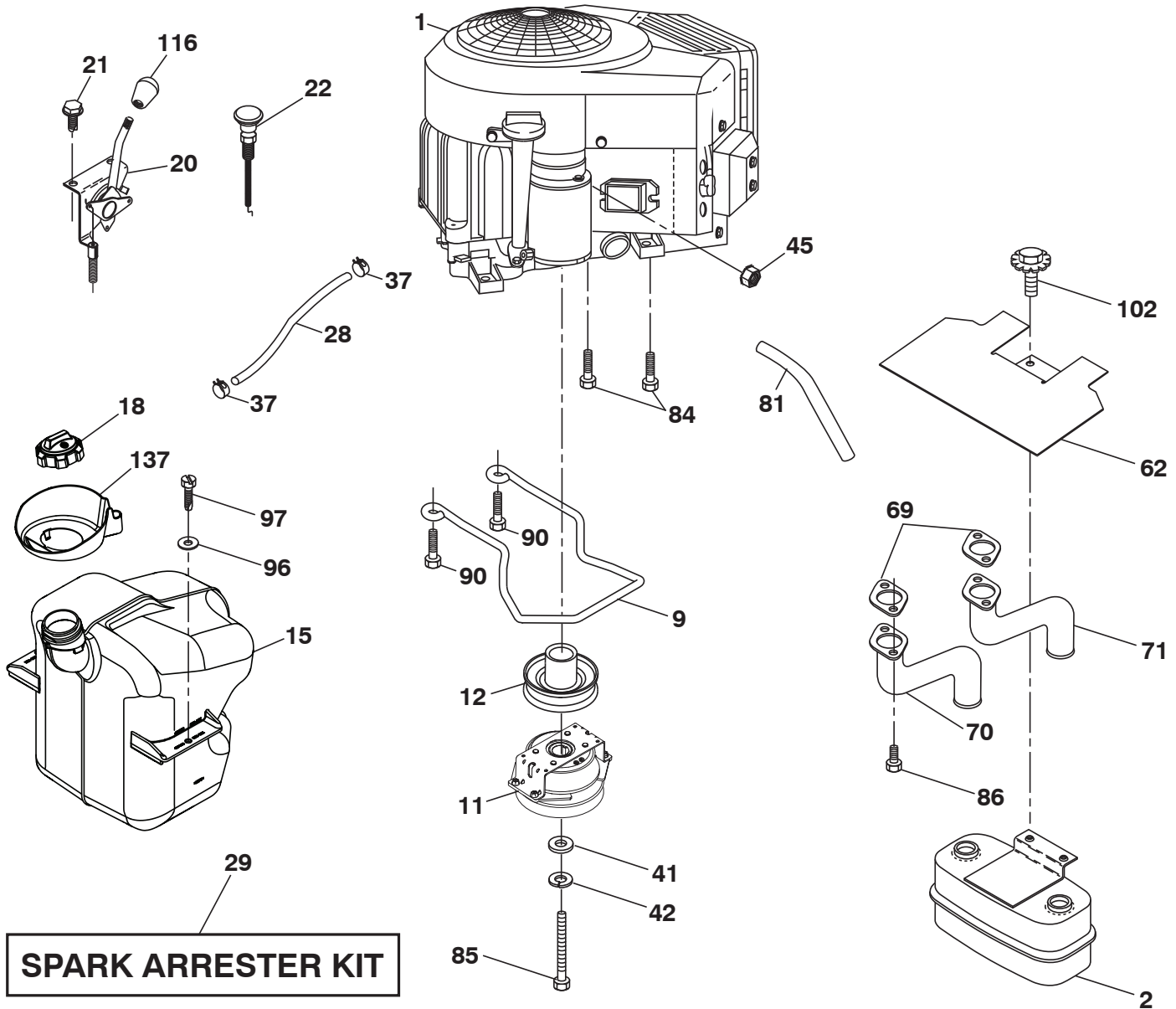


**TRACTOR - MODEL NO. TC 342 (96051016400), PRODUCT NO. 960 51 01-64  
DRIVE **40****

KEY NO.	PART NO.	DESCRIPTION	KEY NO.	PART NO.	DESCRIPTION
1	---	Transaxle, Tufftorq K57AH (585743601) (Order parts from transaxle manufacturer.)	197	585 65 86-01	Link Clutch Anti-Rotation
2	532 12 35-83	Key Square	203	819 11 11-16	Washer 11/32 x 11/16 x 16 Ga.
6	532 12 40-28	Bushing Snap	205	532 12 17-48	Washer 25/32 x 1-5/8 x 16 Ga.
17	532 43 62-27	Spring Brake K46	206	532 44 85-96	Bracket Mount Latch Cruise
26	532 19 96-79	Spring Return Cruise	207	587 03 14-01	Latch Control Cruise
27	817 49 05-28	Screw Hexwsh Thd 5/16-18 x 1-3/4	208	532 19 78-69	Gear Sector Control Cruise
29	532 44 27-95	Rod, Brake	209	532 19 95-92	Rod Control Cruise
30	819 13 16-16	Washer	210	532 40 09-80	Rocker Asm. Pedal Control
33	812 00 00-01	Ring E	211	532 12 01-83	Bearing Nylon
35	583 86 45-01	Rod, Brake, Park	213	532 40 31-19	Knob Control Cruise
37	532 18 89-67	Washer Harden .793 x 1.063 x .060	214	532 41 68-63	Pedal Forward
38	532 16 96-13	Nyliner Bushing	215	586 60 65-02	Pedal Reverse
42	532 12 48-72	Cover, Foot Pedal	221	532 40 31-87	Retainer Spring Clip Handle
49	872 11 06-14	Bolt Rdhd 3/8-16 unc x 3/4 Gr. 5	222	879 21 20-10	Washer 21/32 x 1-1/4 10 Ga.
50	532 19 43-27	Idler Flat	226	532 40 15-64	Bracket Strap Torque
51	873 90 06-00	Lock Nut 3/8-16	227	817 49 05-12	Screw
52	532 19 43-26	Idler V-Groove	279	532 44 42-83	Link Shift
56	591 06 53-01	V-Belt, Drive	280	819 11 10-12	Washer 11/32 x 5/8 x 12 Ga.
64	532 19 78-65	Shaft Asm. Pedal Brake Control	284	532 41 76-93	Nut
73	874 49 05-44	Bolt Flanged	285	874 18 04-12	Screw
90	532 44 36-05	Keeper Belt Clutching	309	532 16 55-81	Plate Fstnr Cross Shf
92	874 76 05-20	Bolt Fin Hex 5/16-18 unc x 1.25	311	532 16 98-45	Washer Nylon
99	532 44 39-47	Rod Spring Bypass	312	532 16 56-14	Hub Tapered
103	873 35 05-00	Nut Hex Jam 5/16-18	313	874 78 04-16	Bolt Hex Fin 1/4-20 unc x 1 Gr. 5
116	873 90 05-00	Nut Lock Hex Flange 5/16-18	314	532 44 47-13	Keeper Belt
125	817 00 05-12	Screw 5/16-18 x 3/4	315	817 58 05-20	Screw Thdrol 5/16-18 x 4.25
140	810 04 04-00	Washer Lock Hvy Helical 1/4	335	532 19 95-34	Pulley V-Idler
143	539 99 08-58	Screw 5/16-18 x 1/2	336	587 25 96-01	Bolt 5/16-18 x 1-3/4 Flanged hex
159	876 02 04-12	Pin Cotter 1/8 x 3/4	339	532 43 68-67	Strap Torque K46 CRD TEX
160	532 16 94-84	Retainer Clip	342	532 18 26-82	Keeper Belt 2.5" STL V-Idlr CRD
161	532 10 57-09	Spring, Return, Clutch	343	539 11 28-99	Nut 5/16-18 Hex Flanged Nyloc
163	532 44 27-93	Rod Control	351	532 43 69-98	Bracket 97 CRD Deck Sway
166	532 42 91-64	Nut Push	352	532 43 56-45	Bracket Idler CRD Tex
167	532 40 52-57	Latch Brake Parking	355	532 43 56-69	Bracket
175	532 42 93-59	Shaft Asm Crossshift Rear CRD	359	817 49 06-10	Screw Thdrol 3/8-16 x 5/8
183	532 13 70-57	Spacer Axle	360	532 44 47-14	Nut 5/16-24 unf
184	587 65 37-01	Handle Parking Brake	362	532 43 68-12	Idler Flat
185	872 11 06-22	Bolt 3/8-16 unc x 2-3/4 Gr. 5	363	532 44 27-80	Spacer 343 x 63 x .62
186	532 19 43-21	Spacer Retainer	364	532 44 30-32	Bracket Idler CRD Tex
188	582 21 70-01	Link Clutch	372	582 65 49-01	Keeper Belt Transaxle
189	532 43 36-11	Bellcrank Ground Drive			
195	580 45 69-01	Bracket Rod Brake CRD Tex			
196	817 00 06-16	Screw 3/8-16 x 1 SMGML Tap/R Blk			

**NOTE:** All component dimensions given in U.S. inches  
1 inch = 25.4 mm

**TRACTOR - MODEL NO. TC 342 (96051016400), PRODUCT NO. 960 51 01-64  
ENGINE 24**

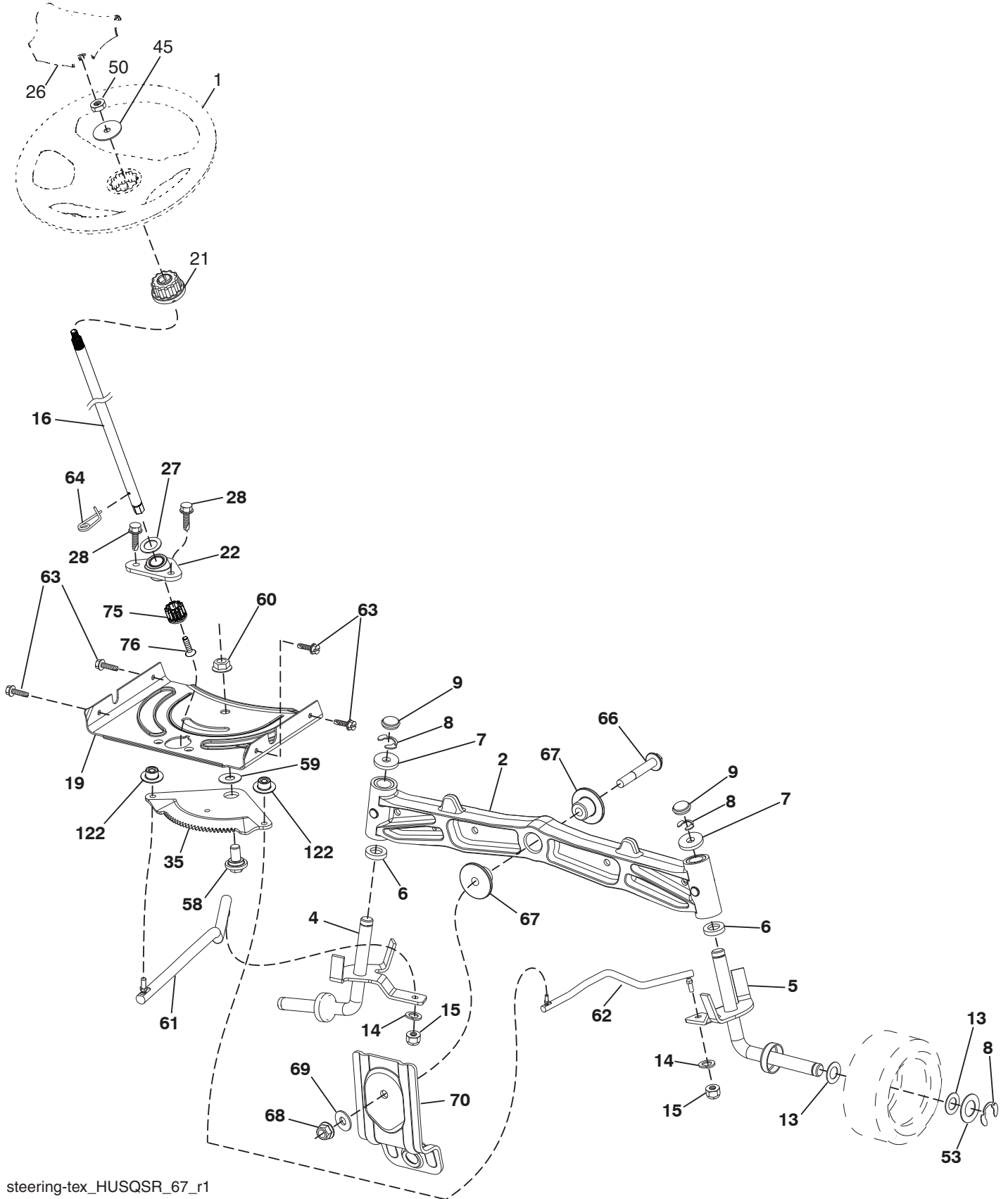


**SPARK ARRESTER KIT**

engine-tex\_Kawa-2cyl\_63



**TRACTOR - MODEL NO. TC 342 (96051016400), PRODUCT NO. 960 51 01-64**  
**STEERING ASSEMBLY 41**



steering-tex\_HUSQSR\_67\_r1

**TRACTOR - MODEL NO. TC 342 (96051016400), PRODUCT NO. 960 51 01-64  
STEERING ASSEMBLY **41****

KEY NO.	PART NO.	DESCRIPTION
1	532 43 97-40	Wheel, Steering
2	532 19 59-68	Axle Asm., Front
4	532 40 30-87	Spindle Asm., LH
5	532 40 30-88	Spindle Asm., RH
6	532 12 49-31	Bearing, Race Thrust Harden
7	532 12 17-48	Washer 25/32 x 1-5/8 x 16 Ga.
8	812 00 00-29	Ring, Clip #T5304-75
9	532 12 12-32	Cap, Spindle
13	532 12 17-49	Washer 25/32 x 1-1/4 x 16 Ga.
14	539 99 01-18	Washer, SLW, 2D
15	873 54 06-00	Nut, Crown Lock 3/8-24 unf
16	587 01 60-02	Steering Shaft
19	532 19 47-29	Plate Steering
21	586 84 02-01	Adapter Wheel Steering
22	585 02 98-02	Bearing Shaft
26	532 43 97-43	Insert, Wheel Steering
27	819 21 16-16	Washer 21/32 x 1 x 16 Ga.
28	817 00 06-12	Screw 3/8-16 x 3/4
35	532 19 47-32	Gear, Sector Plate
45	587 01 64-01	Washer 3/8 ID 2-3/8 OD 12 Ga.
50	873 90 06-00	Nut Lock Flg 3/8-16 unc
53	532 18 89-67	Washer Hardened .793 x 1.637 x .060
58	532 19 47-47	Bolt Shoulder Sector Pivot CFM
59	532 19 47-48	Washer Thrust Sector Steering
60	873 97 10-00	Nut Flange Lock 5/8-11
61	588 79 44-02	Draglink, LH
62	588 79 45-02	Draglink, RH
63	817 00 05-12	Screw 5/16-18 x 3/4
64	532 19 98-49	Retainer Clip Spring Steering
66	871 02 07-48	Bolt Hex Fghd 7/16-14 x 3 Serr
67	532 19 47-37	Bushing PM Front Axle
68	873 90 07-00	Nut Lock Flange 7/16-14 Gr. 5
69	532 19 91-62	Washer 1.5 x .505 x .118
70	585 33 88-01	Bracket Deck Susp. Front
75	580 68 37-01	Pinion
76	580 68 36-01	Screw Head Sock
122	532 44 49-62	Cap Gear

**NOTE:** All component dimensions given in U.S. inches  
1 inch = 25.4 mm



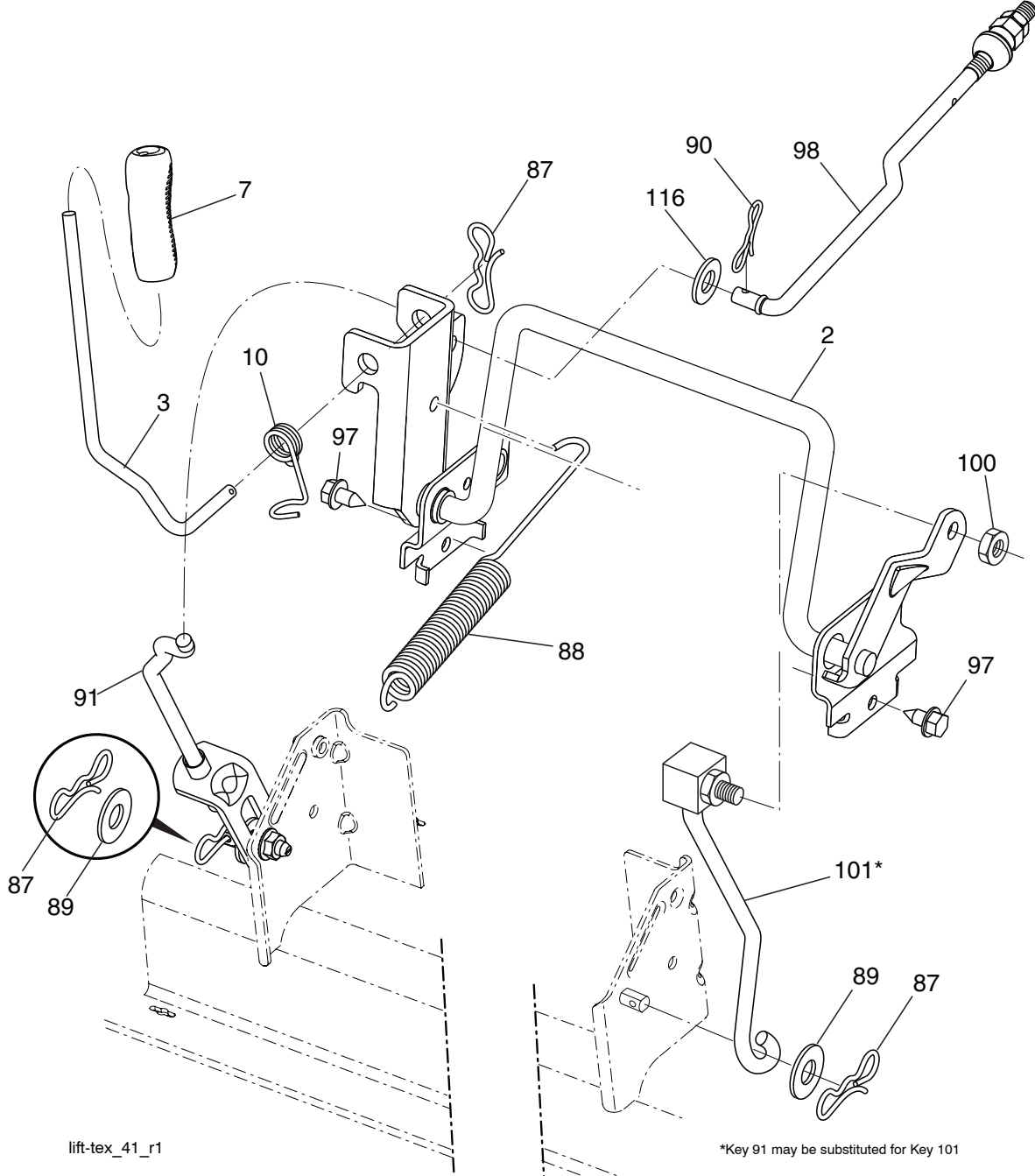


**TRACTOR - MODEL NO. TC 342 (96051016400), PRODUCT NO. 960 51 01-64  
MOWER DECK 44**

KEY NO.	PART NO.	DESCRIPTION	KEY NO.	PART NO.	DESCRIPTION
1	580 97 33-01	Deck Weldment	115	818 03 10-16	Screw Torx #10-24 x 1
2	532 42 30-62	Palnut 1/4	116	872 11 04-14	Bolt 1/4-20 x 1.75 Gr. 5
3	873 90 05-00	Nut Lock Hex Flange 5/16-18	117	873 90 04-00	Nut Hex Flange 1/4-20 unc
5	817 00 05-10	Bolt 5/16-18	118	532 44 32-32	Arm Clutching
11	532 13 77-29	Screw Thd Roll 1/4 - 20 x 5/8	119	532 43 81-66	Gearcase Subasm
13	872 11 06-12	Bolt Carr Sh 3/8-16 x 1-1/2 Gr. 5	120	532 44 32-36	Keeper Belt RH
14	532 15 60-85	Keeper Belt Idler	121	532 43 69-85	Washer
16	873 90 06-00	Nut Lock FIG 3/8 - 16 unc	124	532 43 69-86	Non Greasable Mandrel Shaft
17	532 40 02-34	Nut Flange Lock Top	125	532 43 69-94	Bracket Idler Chassis
18	532 18 76-90	Washer Spacer Mandrel	127	532 19 34-06	Bolt Shoulder 3/8-16 x 3-5/8 Gr. 5
19	585 32 39-01	Bearing Mandrel	128	589 52 73-01	Wheel Gauge
23	817 49 06-28	Screw Thdrol 3/8-16 x 1-3/4	129	532 44 32-37	Rod Anti-Sway
27	532 44 58-87	V-Belt Drive	130	819 13 13-12	Washer 13/32 x 13/16 x 12 Ga.
32	532 44 62-05	Spring Return Deck	131	532 19 42-08	Pin Cotter 5/16 Bow Tie Lock
33	532 18 72-81	Mandrel Asm.	143	532 43 81-97	EZ Mulch Door
34	587 25 65-01	Shaft Asm Mndrl	144	532 43 58-61	Pin Hinge
35	532 18 05-83	Blade Mower LH	145	532 43 79-88	E-Ring 5/16
38	590 88 40-01	Bolt Blade 7/16-20 x 1.5 Gr. 8	146	532 44 58-96	Spring Tex CRD EZ Mulch
39	581 52 65-01	Washer 7/16 Flat	153	593 27 46-01	Nut Hex 9/16-18 unf w/HD Epoxy-Lock
41	539 99 02-47	Washer lock 7/16			
42	817 00 05-12	Screw 5/16-18 x 3/4	154	532 19 98-55	Screw 1/4-20 Panhead
43	532 44 32-39	Pulley Mandrel	156	532 44 69-95	Adapter Weldment Blade
45	532 13 71-52	Mandrel Asm.	157	532 44 69-93	Blade Cross LH 107
72	581 45 41-03	Chute Upper	158	532 18 04-25	Blade Cross RH 107
75	532 13 14-94	Pulley Idler Flat	159	585 30 94-05	Plate LH Side
76	532 41 55-98	Washout Port	160	585 30 95-05	Plate LH Front
84	532 44 32-35	Keeper Belt Mandrel	161	585 31 60-05	Plate RH Front
85	532 18 05-84	Blade Mower RH	162	585 31 61-05	Plate RH Side
86	532 18 17-13	Bolt 3/8-24 x 1.50 Gr.8	164	589 35 85-02	Baffle Plate Left
87	539 99 01-18	Washer 3/8	165	587 42 61-02	Baffle Plate Right
88	532 14 02-96	Washer Hard Blade	250	819 11 12-12	Washer 11/32 x 3/4 x 12 Ga.
91	819 12 14-14	Washer 5/16 Flat STE STD ZD	255	539 10 98-00	Carriage Bolt 1/4-20 x 1 Gr. 5
94	532 19 72-50	Bracket Clutch Cable	258	584 95 39-01	Bolt Hex Wsh Hd .316-18 x 1.19
95	817 00 06-12	Screw 3/8-16 x 3/4	264	589 39 29-01	Retainer Chute TEXCRD02
96	532 40 02-71	Spacer	--	532 44 81-32	Gear Case Kit – Use .75 oz. Shell 460 oil (Include Gear Output (key #110), Gasket Gearcase (key #111), Shaft Gearcase (key #112), Plug Oil (key #113), Vent Breather 1/8 NPT (key #114), Screw Torx (key #115), Gearcase Subasm (key #119))
97	532 18 20-61	Shield Idler Mower	--	587 25 33-01	Mandrel Assembly Kit Tall
98	532 19 51-61	Stud Fastener	--	589 64 31-01	Replacement Mower
99	532 19 51-86	Arm Suspension Mower Rear			
100	532 19 65-39	Bolt Shoulder			
101	873 68 09-00	Nut Crownlock 9/16-18 unc			
102	532 40 25-11	Spacer Bearing Swing Plate			
104	581 71 40-01	Mandrel Cover RH			
105	532 44 47-55	Mandrel Cover LH			
110	587 93 48-01	Gear Output			
111	532 43 69-79	Gasket Gearcase			
112	532 44 38-52	Shaft Gearcase			
113	532 43 85-33	Plug Oil			
114	588 17 05-01	Valve Relief			

**NOTE:** All component dimensions given in U.S. inches  
1 inch = 25.4 mm

**TRACTOR - MODEL NO. TC 342 (96051016400), PRODUCT NO. 960 51 01-64**  
**MOWER LIFT 45**

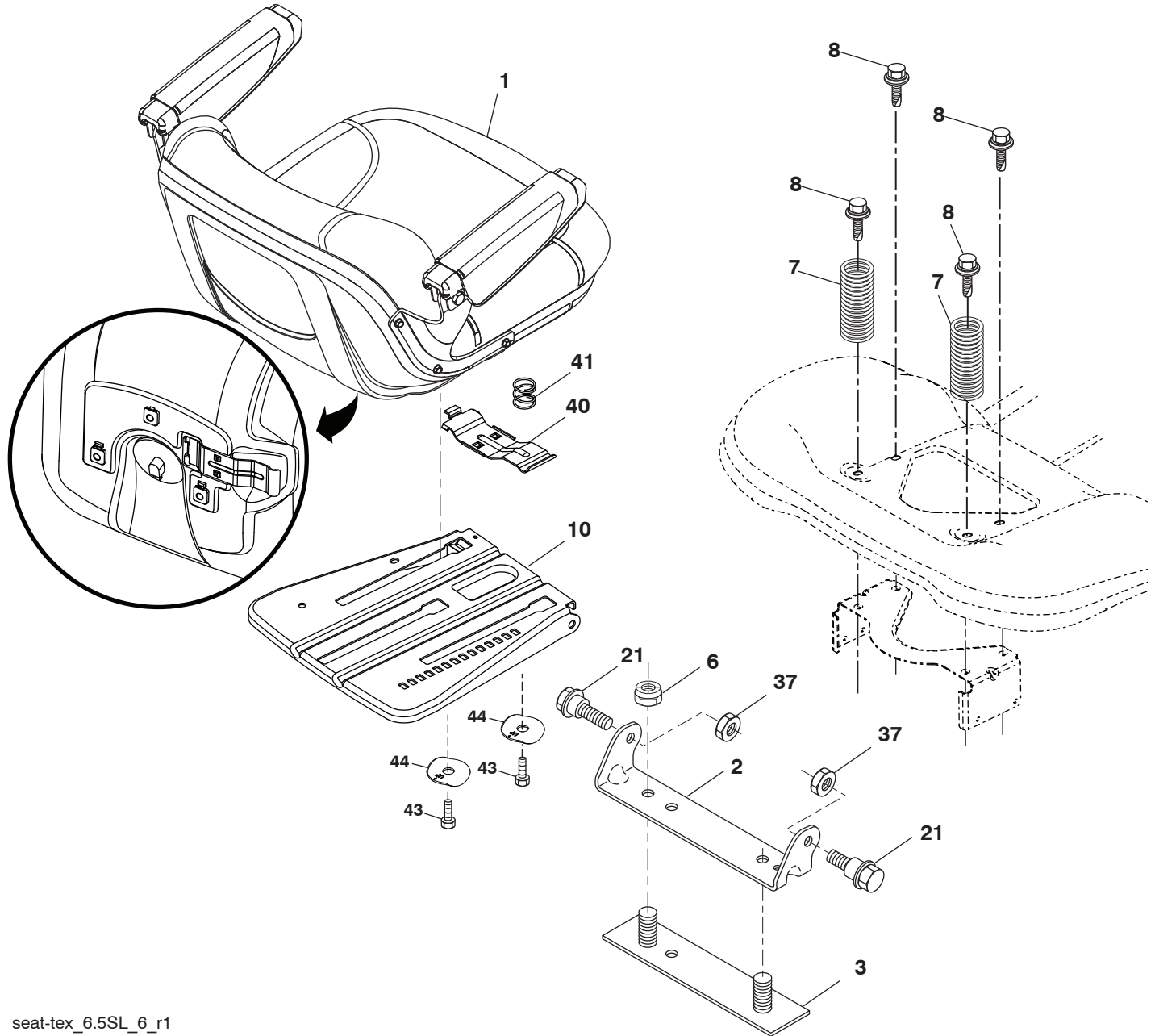


KEY NO.	PART NO.	DESCRIPTION
2	532 43 69-96	Deck Lift Weldment
3	532 19 52-31	Lever Asm., Lift RH
7	580 96 23-01	Grip, Lever
10	532 19 63-14	Spring Torsion
87	532 19 42-09	Pin Cotter 7/16 Bow Tie Lock
88	532 44 54-96	Spring Lift Assist
89	819 19 19-12	Washer Clear Zinc
90	532 19 42-08	Pin Cotter 5/16 Bow Tie Lock
91	532 19 51-81	Link Lift Susp Mower Rear

KEY NO.	PART NO.	DESCRIPTION
97	817 49 06-08	Screw 3/8-16 x 1/2
98	532 19 52-70	Link Lift Susp. Front Mower
100	873 93 06-00	Nut Centerlock
101	532 40 70-03	Link Asm. Lift
116	819 15 15-16	Washer 15/32 x 15/16 x 16 Ga.

**NOTE:** All component dimensions given in U.S. inches  
 1 inch = 25.4 mm

**TRACTOR - MODEL NO. TC 342 (96051016400), PRODUCT NO. 960 51 01-64  
SEAT ASSEMBLY 42**



seat-tex\_6.5SL\_6\_r1

KEY NO.	PART NO.	DESCRIPTION
1	588 55 67-01	Seat
2	532 18 01-66	Bracket Pivot Fender
3	532 14 06-75	Strap, Asm Fender
6	873 80 06-00	Nut, Lock W/Ins. 3/8-16 unc
7	589 48 35-01	Spring, Seat Cprsn
8	532 17 18-77	Bolt 5/16-18 unc x 3/4 w/Sems
10	587 23 20-02	Pan, Seat
21	587 90 78-01	Bolt, Shoulder 5/16-18 x 5/8

KEY NO.	PART NO.	DESCRIPTION
37	873 80 05-00	Nut, Lock 5/16-18 unc
40	532 19 76-61	Handle Slide Seat
41	532 19 82-00	Spring Latch Seat
43	874 76 06-12	Bolt Fin Hex 3/8-16 unc x 3/4
44	501 05 18-01	Washer Winged

**NOTE:** All component dimensions given in U.S. inches  
1 inch = 25.4 mm



**TRACTOR - MODEL NO. TC 342 (96051016400), PRODUCT NO. 960 51 01-64  
BAGGER 46**

<b>KEY NO.</b>	<b>PART NO.</b>	<b>DESCRIPTION</b>
1	532 42 86-10	Tube Handle Bagger
2	532 44 75-72	Applique
3	532 17 48-14	Clip
5	532 44 37-62	Upper Pivot Tube
8	532 44 75-75	Bagger Top
10	532 44 37-55	Frame Front
19	532 19 42-08	Cotter Pin 5/16 Bow Tie
21	581 33 71-03	Bag Asm
27	532 44 55-29	Grommet Rubber
28	532 16 57-87	Grip Handle
42	532 44 04-28	Clip
43	532 12 68-75	Clevis Pin
44	532 19 96-87	Bolt 1/4-20
45	532 44 37-54	Upper Frame
46	532 44 55-41	Bag Corner Close Out RH
47	532 44 40-79	Bag Corner Close Out LH
48	532 44 40-80	Top Bagger Side Close Out
49	532 17 18-73	Bolt Shoulder 5/16-18
50	532 17 18-77	Bolt 5/16-18 x 3/4 W/Sems
51	872 11 05-06	Bolt 5/16 x 18 x 3/4
52	873 80 05-00	Nut Lock Hex W/Ins 5/16-18 unc
53	532 44 41-95	Bracket Dump Handle
54	532 44 72-18	Bagger Top Front Handle
55	539 10 29-33	Bolt 5/16-18 x 1-1/2
56	532 42 03-06	Pin Clevis .183 x 1.26
59	532 44 47-63	Bagger Sprd Tube
65	532 12 47-88	Retainer Spring 1" Zinc
69	532 42 18-01	Screw #8 Flat Head Drill
70	817 00 06-12	Screw 3/8-16 x 3/4
83	873 80 06-00	Nut Lock Hex w/Ins. 3/8-16 unc
84	872 11 06-08	Bolt 3/8-16 x 1 Gr. 5
85	581 31 44-02	Bracket RH Pivot
86	581 31 43-02	Bracket LH Pivot
87	581 31 48-02	Bracket RH
88	581 31 47-02	Bracket LH
89	581 31 51-04	Weldment Offset Strut
92	586 05 23-02	Bracket Top Support
93	586 05 24-02	Bracket Support RH
94	586 05 25-02	Bracket Support LH
95	817 00 05-12	Screw 5/16-18 x 3/4

**NOTE:** All component dimensions given in U.S. inches  
1 inch = 25.4 mm

