

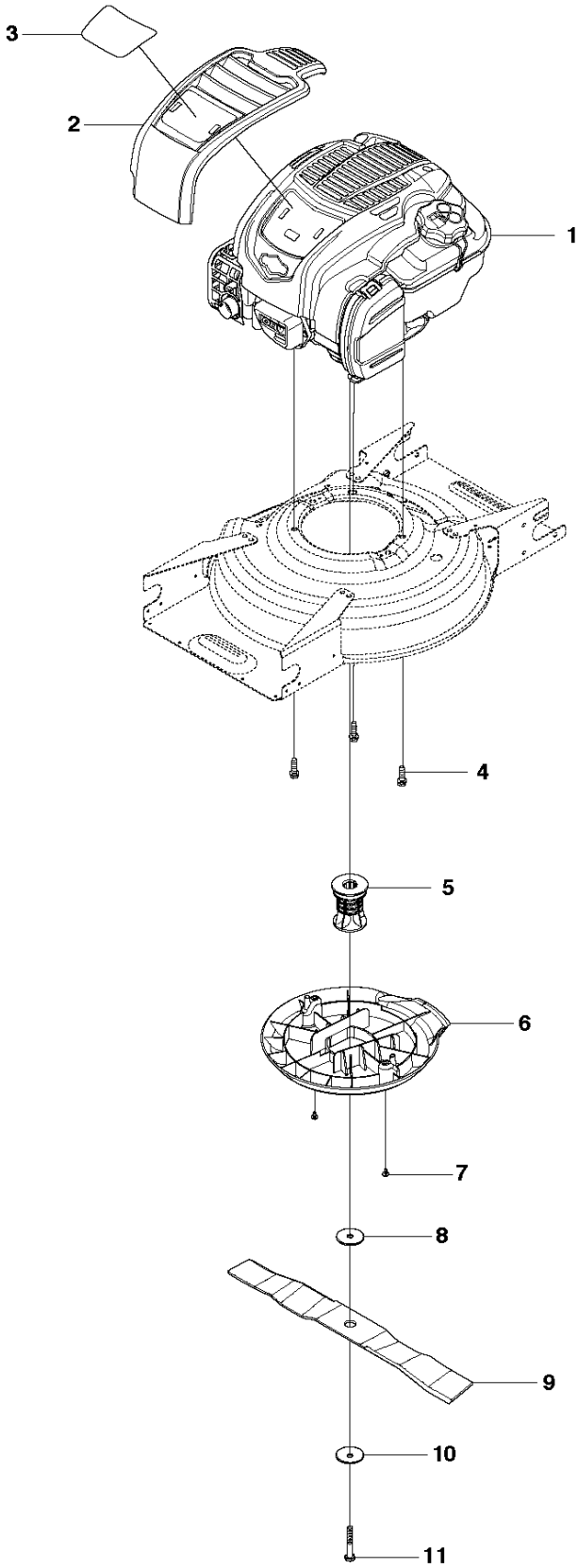


SPARE PARTS LIST

LAWN MOWERS: CONSUMER
WALK-BEHINDS

LB 248S, 967656301, 2018-01

C LB 248S
ENGINE

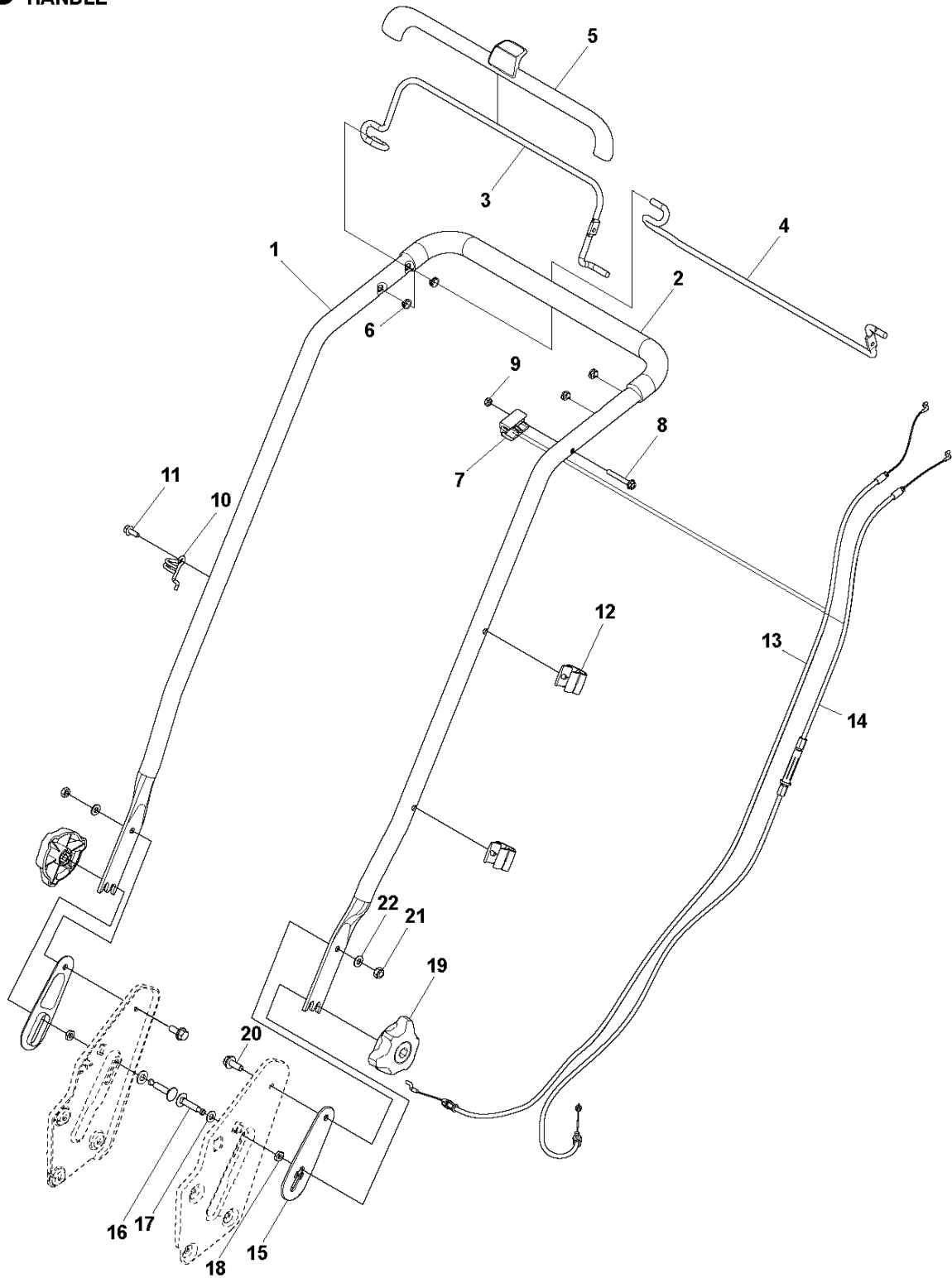


ENGINE

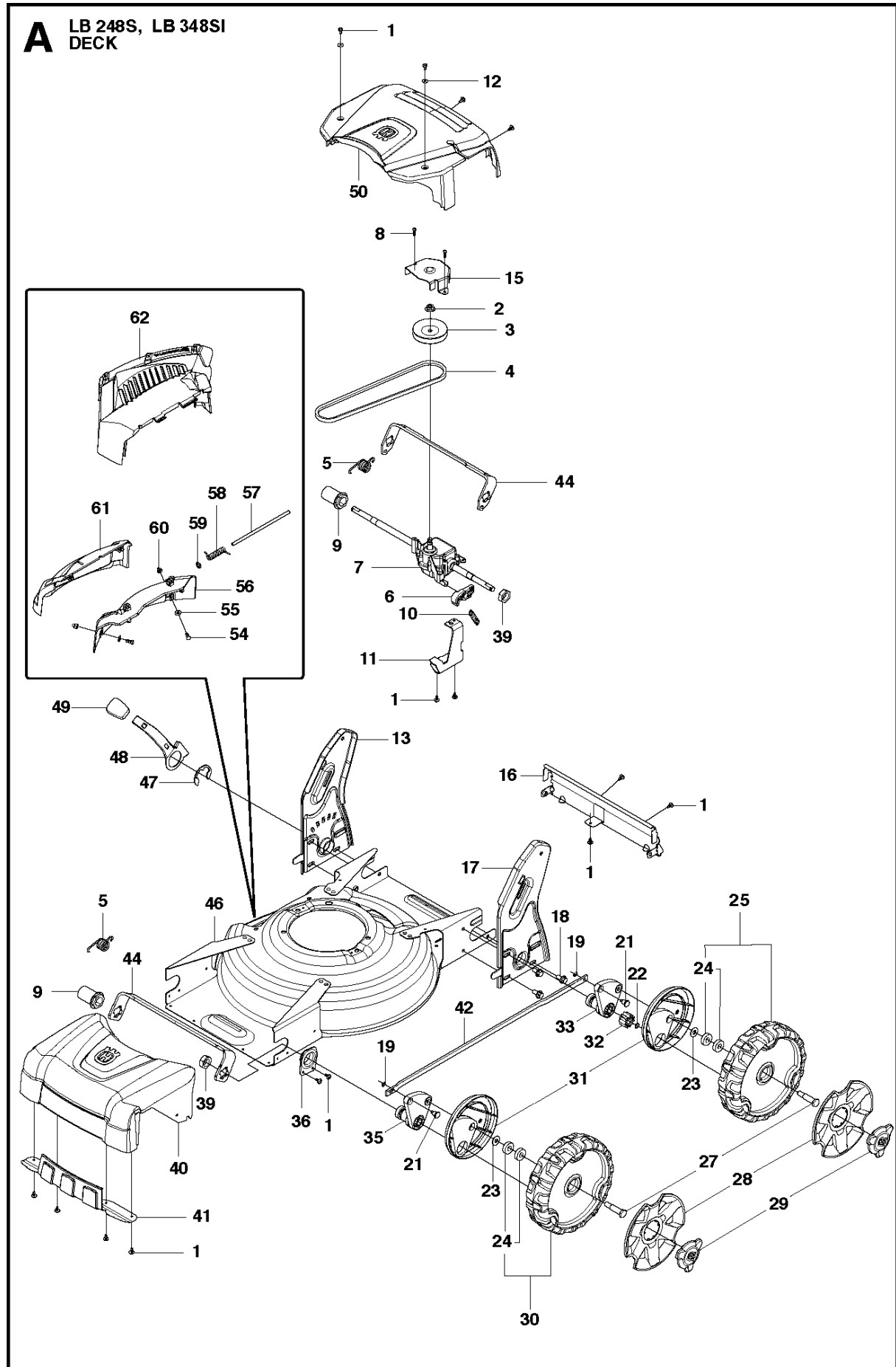
LB 248S, 967656301, 2018-01

Ref	Part No	Description	Remark	QTY KIT
1	.	TBD	103M020013H1	1
2	.	TBD		1
3	.	TBD		1
4	532 15 04-06	BOLT		3
5	588 64 57-02	BLADE SUPPORT		1
6	501 96 81-01	BELT COVER		1
7	502 43 52-01	SCREW ITXPANTT		2
8	503 25 94-01	WASHER		1
9	502 88 13-10	MOWER BLADE		1
10	503 33 25-01	SPRING		1
11	504 45 64-03	SCREW EHHI		1

B LB 248S, LB 253S
HANDLE



Ref	Part No	Description	Remark	QTY KIT
1	582 81 81-02	HANDLE		1
2	501 11 01-01	TUBE		1
3	587 10 17-02	BAIL		1
4	587 10 18-02	BAIL		1
5	587 10 25-02	GRIP		1
6	503 32 09-01	BUSHING		4
7	531 20 80-43	BRACKET		1
8	535 47 52-45	SCREW EHHFM		1
9	732 25 16-01	HEXAGON LOCKING NUT		1
10	587 10 27-01	EYELET		1
11	725 23 68-61	SCREW EHHFT		1
12	579 13 46-01	CABLE HOLDER		2
13	582 10 53-02	WIRE		1
14	582 10 52-02	WIRE		1
15	587 78 04-01	WASHER		2
16	588 15 73-02	BOLT		2
17	588 15 74-01	WASHER		2
18	731 43 18-01	HEXAGON THIN NUT		2
19	587 23 72-01	KNOB		2
20	506 57 01-04	SCREW EHHFM		2
21	732 21 18-01	LOCK NUT		2
22	734 18 20-51	WASHER		2



MOWER DECK / CUTTING DECK

LB 248S, 967656301, 2018-01

Ref	Part No	Description	Remark	QTY KIT
1	502 43 52-01	SCREW ITXPANTT		17
2	504 05 56-01	NUT FLANGE		1
3	504 05 33-01	PULLEY		1
4	501 98 66-01	BELT		1
5	522 02 46-01	SPRING		2
6	504 83 82-01	LEVER		1
7	504 04 80-01	GEARBOX		1
8	502 43 53-01	SCREW ITXPANT		2
9	522 02 40-01	NUT		2
10	504 04 87-01	SPRING		1
11	504 04 86-01	BRACKET		1
12	504 45 60-01	WASHER, 5X13X1		2
13	582 66 42-02	HANDLE SUPPORT		1
15	522 61 23-01	BELT GUIDE		1
16	504 64 15-01	SKID PLATE		1
17	582 66 45-02	HANDLE SUPPORT		1
18	506 55 83-02	SCREW EHHFT		6
19	735 31 09-21	E-CLIP		2
21	504 62 50-01	SHAFT		2
22	504 70 28-01	LOCK RING		2
23	505 22 14-01	WASHER		4
24	738 21 01-04	BALL BEARING		8 25, 30
25	584 14 22-01	WHEEL ASSY		2
27	574 25 94-01	SCREW		4
28	584 15 93-01	HUB CAP		4
29	584 15 94-01	NUT CAP		4
30	584 61 16-01	WHEEL ASSY		2
31	504 62 41-01	DUST COVER		4
32	544 34 23-01	PINION		2
33	504 70 98-04	LINK ARM ASSY		2
35	504 70 98-02	LINK ARM ASSY		2
36	504 62 49-01	BRACKET		2
39	505 52 10-01	NUT		2
40	583 90 18-01	FRONT COVER ASSY		1
41	502 62 54-02	SKID PLATE		1
42	504 61 55-02	ROD		1
44	574 40 60-01	TRANSVERSAL ROD		2
46	501 37 55-04	CHASSIS		1
47	735 31 36-21	LOCKWASHER		1
48	504 83 82-01	LEVER		1
49	522 59 85-01	KNOB		1
50	501 35 50-02	REAR COVER		1
54	505 15 61-01	SCREW		2
55	505 19 84-01	WASHER		2
56	504 58 46-01	FRAME		1
57	504 58 50-01	AXLE		1
58	504 58 53-01	SPRING		1
59	735 58 41-01	WASHER		1
60	502 30 50-01	CAP NUT		2
61	504 58 45-01	MULCH DOOR		1
62	587 08 93-01	DEFLECTOR		1