

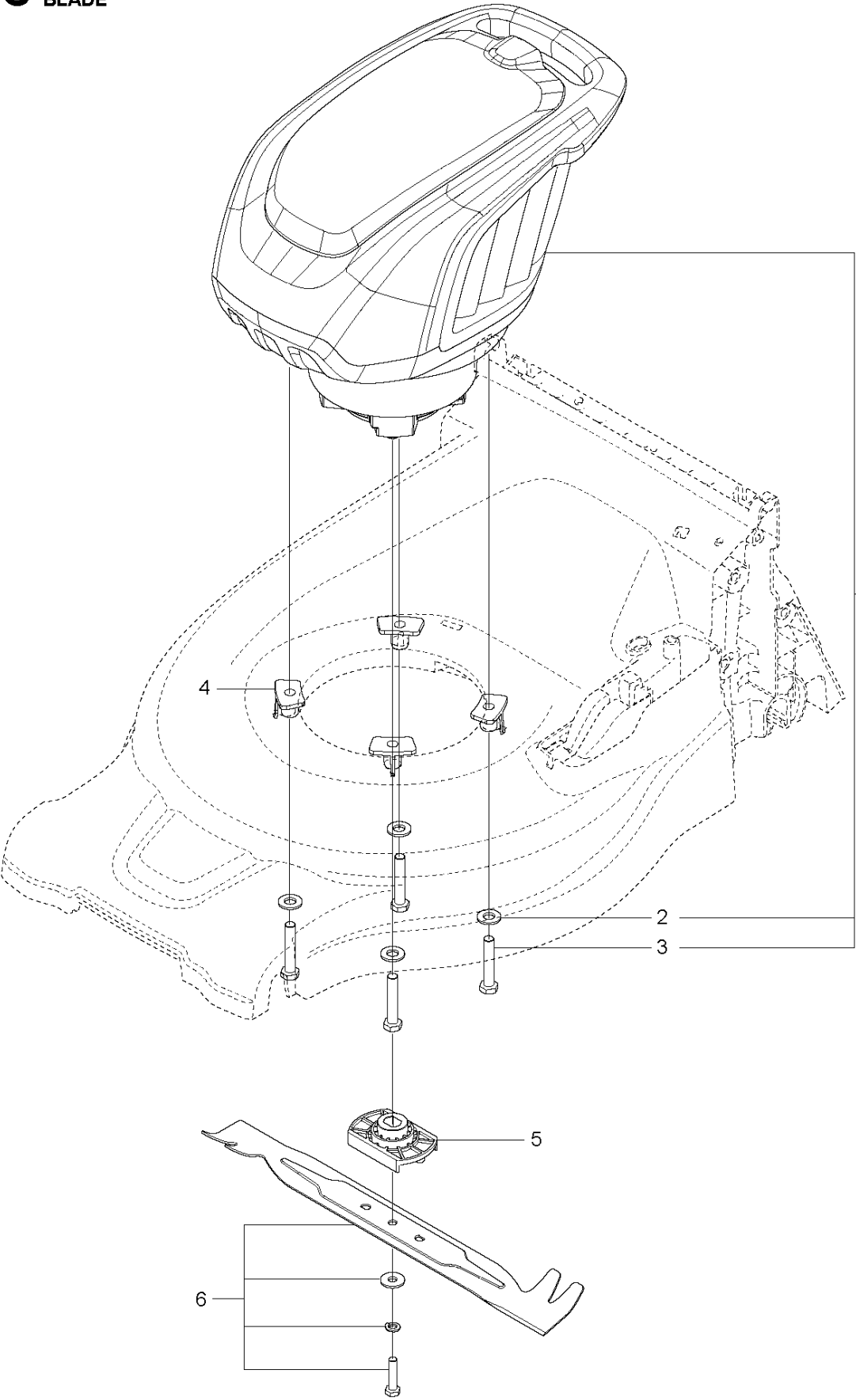


SPARE PARTS LIST

LAWN MOWERS: CONSUMER
WALK-BEHINDS

LC247 Li, 967662901, 2018-01

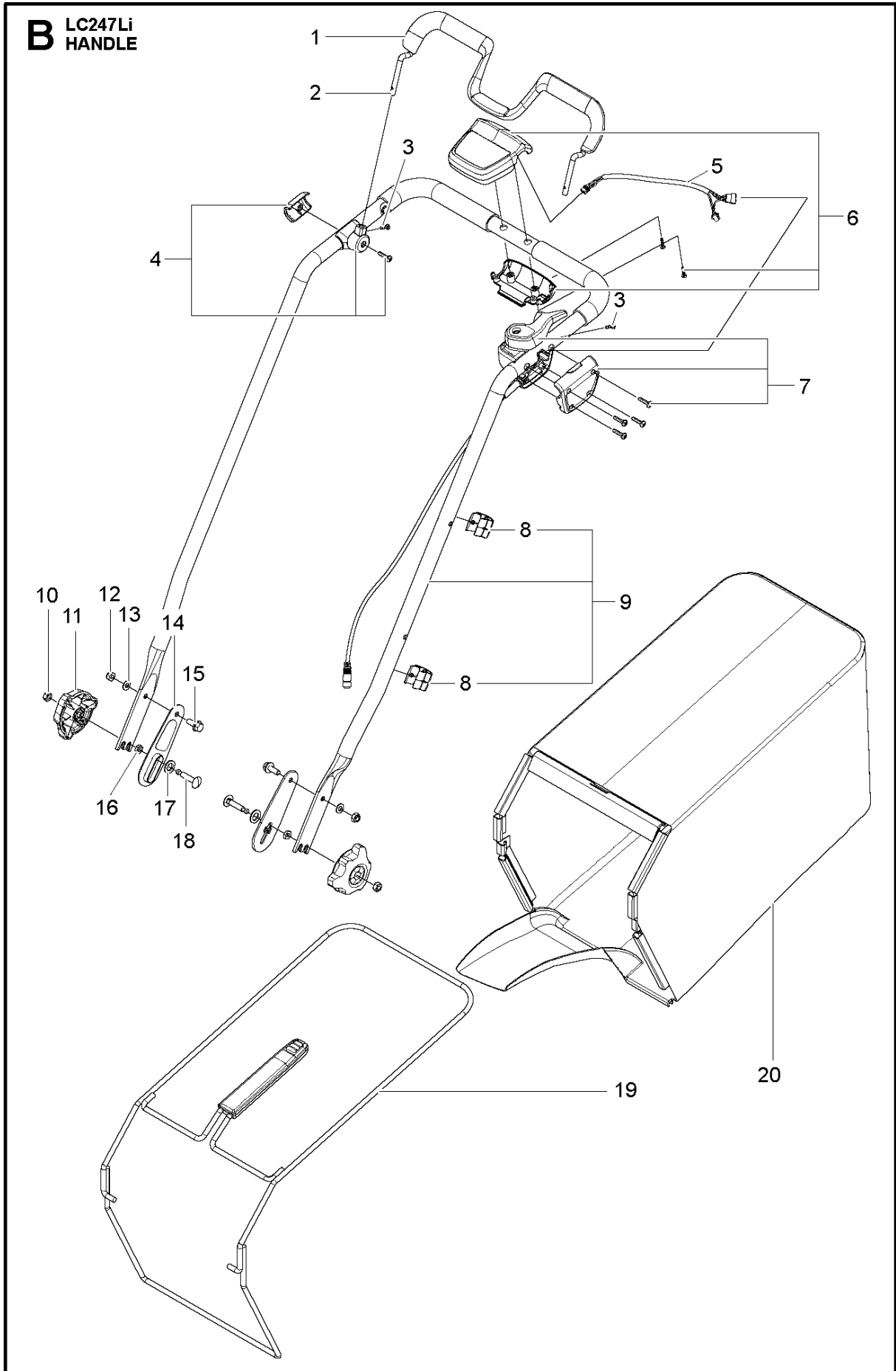
C LC247Li
BLADE



BLADE MOTOR & CUTTING EQUIPMENT

LC247 Li, 967662901, 2018-01

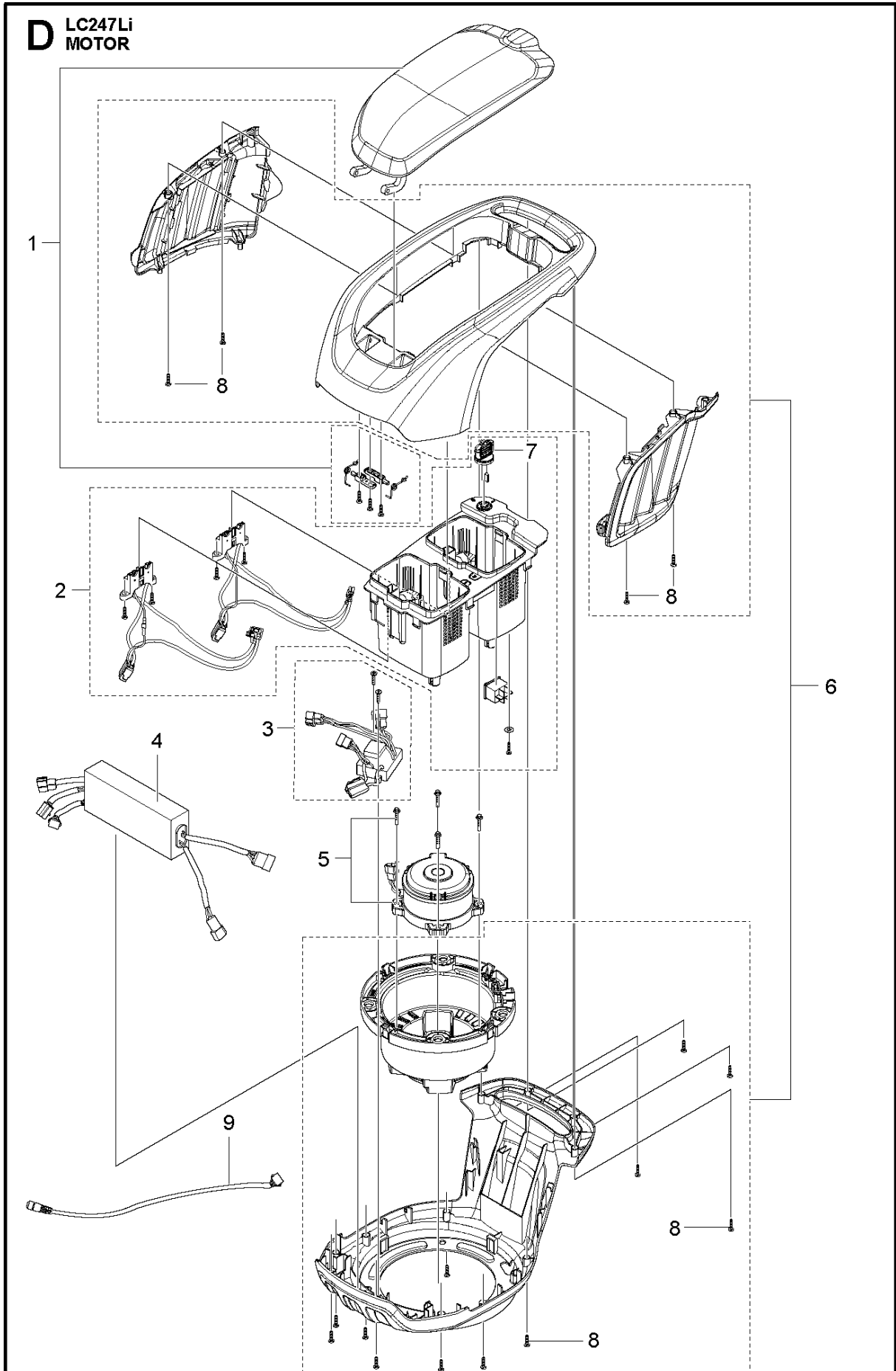
Ref	Part No	Description	Remark	QTY KIT	
1	590 53 14-01	POWER UNIT	Powerhead	1	2,3
2	504 46 68-01	WASHER	10.5x22x2 BRB ZPB	4	1
3	725 25 02-71	SCREW EHHM	M10x55 8.8 ZPB,ISO 4017	4	1
4	578 29 51-01	SLEEVE	For engine screws, Plastic chassis	4	
5	591 08 43-01	BLADE SUPPORT	Transmission system	1	
6	593720901	TBD	47cm, Incl bolt & washers, Collect	1	



HANDLE

LC247 Li, 967662901, 2018-01

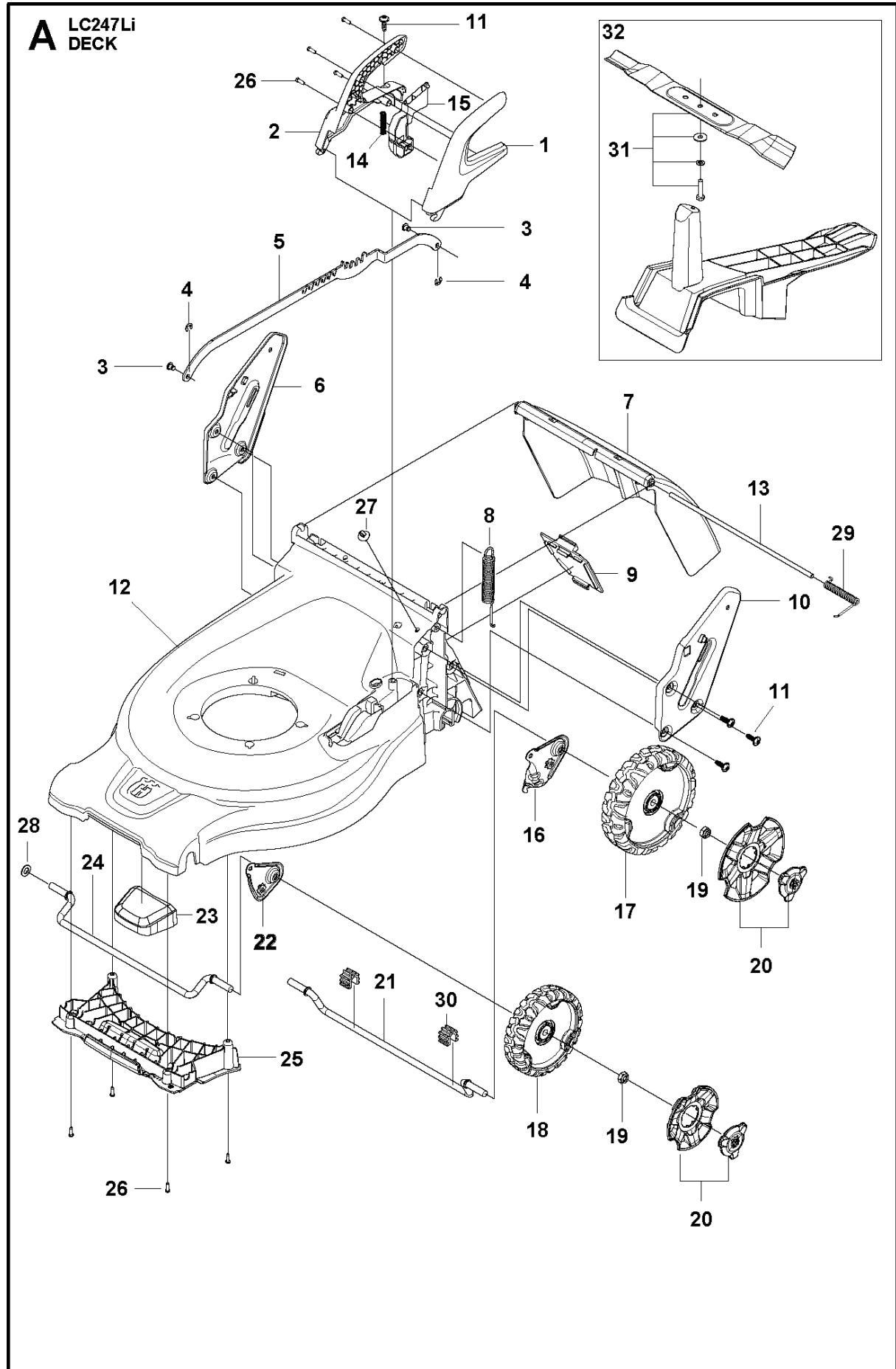
Ref	Part No	Description	Remark	QTY	KIT
1	590593801	TBD	Ergonomic bail attachment	1	
2	590593902	TBD	OPC Bail	1	
3	593198701	TBD	M4 bail screw	2	
4	593118701	TBD	Bail support assembly	1	
5	593198601	TBD	Control panel assy cable	1	
6	593106001	TBD	Push	1	
7	593117901	TBD	Push	1	
8	591086401	TBD	Handle mounted clip	2	9
9	593119701	TBD	Upper	1	8
10	731 23 18-01	HEXAGON NUT	M8 8 ZPB,ISO 4032	2	
11	584 30 14-01	KNOB	handle	2	
12	732 21 18-01	LOCK NUT	M8-8	2	
13	734 18 20-51	WASHER	8x16x1.5 St ZPB, Type NB	2	
14	587 78 04-01	WASHER	Washer handle/handlesupport	2	
15	506 57 01-04	SCREW EHHFM	M8x20 8.8 ZPB,EHHFM	2	
16	731 43 18-01	HEXAGON THIN NUT	M8 St 04 ZPB,ISO 4035	2	
17	588 15 74-01	WASHER	Nylon Washer	2	
18	588 15 73-02	BOLT	Esloc, Carriage Bolt M8	2	
19	589 69 29-01	HANDLE	Grassbag	1	
20	587 29 23-01	GRASSBAG	Husqvarna, Fabric assembly	1	



MOTOR

LC247 Li, 967662901, 2018-01

Ref	Part No	Description	Remark	QTY	KIT
1	593124301	TBD	Powerhead lid and hinge	1	
2	593124501	TBD	Battery pocket	1	7
3	593133601	TBD	Battery control plate	1	
4	593132601	TBD	Motor control box	1	
5	592749301	TBD	Brushless motor 750W	1	
6	593203901	TBD	Power unit cover	1	
7	501 49 01-01	KEY	battery pocket key	1	2
8	593 75 55-01	SCREW	Engine hood screws	16	
9	593722801	TBD	handle	1	



MOWER DECK / CUTTING DECK

LC247 Li, 967662901, 2018-01

Ref	Part No	Description	Remark	QTY KIT
1	587 20 37-01	COVER HALF	Husqvarna,Suspension - Left - Height adjustment	1
2	587 20 38-01	COVER HALF	Husqvarna,Suspension - Right - Height adjustment	1
3	587 68 70-01	SHAFT	Suspension	2
4	735 31 12-20	E-CLIP	7x0.9 St PP,SHAFTS	2
5	587 16 08-01	ROD	Suspension 170/210	1
6	587 21 23-02	HANDLE SUPPORT	right	1
7	587 10 14-03	HATCH	HVA,rear discharge	1
8	587 67 44-01	SPRING	47 cm,Balance - Suspension	1
9	587 09 54-02	COVER	Service door	1
10	587 21 21-02	HANDLE SUPPORT	left	1
11	578 17 58-02	SCREW ITPANT	8x24, TBO,For Thermoplastics	7
12	587 15 10-03	CHASSIS	Husqvarna,47 cm	1
13	586 98 46-01	AXLE		1
14	589 59 76-01	SPRING	HA Button	1
15	587 69 74-01	BUTTON	ASSY - Suspension - Height adjustment	1
16	587 67 43-01	LINK ARM	Rear idler 210	1
17	584 61 16-03	WHEEL ASSY	Husqvarna, With Sleeve,210, idle, medium	2
18	587 63 15-01	WHEEL ASSY	Husqvarna,170, Idler	2
19	587 99 09-01	NUT	Lock, M12x10	4
20	584 15 93-01	HUB CAP	Wheel 210mm	4
21	587 07 26-01	WHEEL AXLE	Rear 47 cm,Suspension	1
22	587 07 24-01	LINK ARM	Front idler 170	2
23	590 53 15-01	COUNTERWEIGHT	cast iron	1
24	587 07 26-02	WHEEL AXLE	Front 47 cm,Suspension	1
25	588 20 27-01	SKID PLATE	Husqvarna,Front	1
26	502 43 53-01	SCREW ITPANT	T50x16 Zn/Fe (A009)	8
27	579 31 74-01	STRAP	FIR TREE 170x5	1
28	577 09 28-01	WASHER	12/22/2 FZB ISO7089	1
29	587 10 15-01	SPRING	hatch	1
30	583 05 50-01	DISTANCE	Push, 47 cm	2
31	593720902	TBD	47cm, Incl bolt & washers, Mulch	1
32	590 79 09-01	MULCH KIT	Mulch plug and combi blade	1