

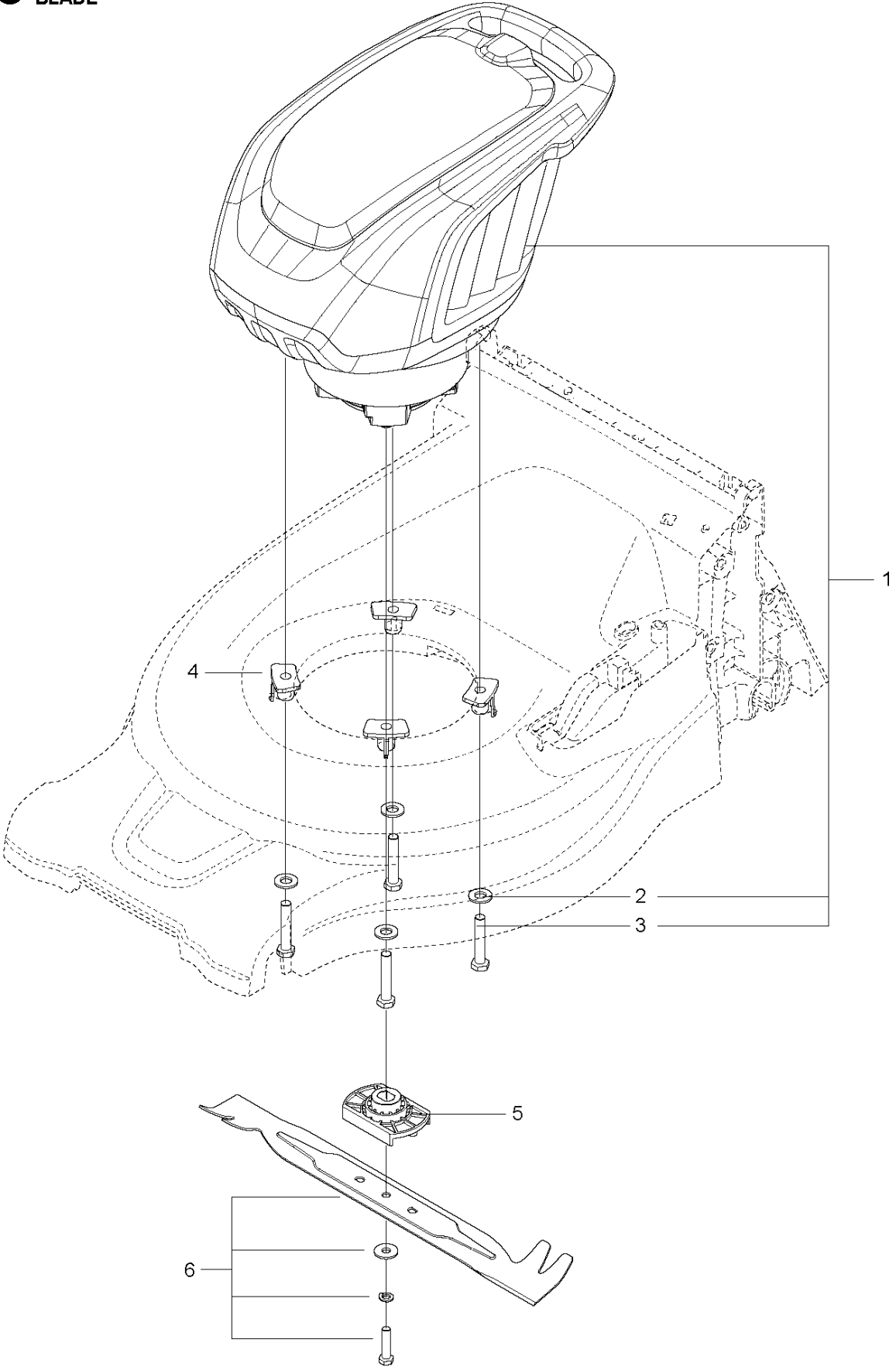


# SPARE PARTS LIST

LAWN MOWERS: CONSUMER  
WALK-BEHINDS

LC347 VLi, 9677663001, 2018-01

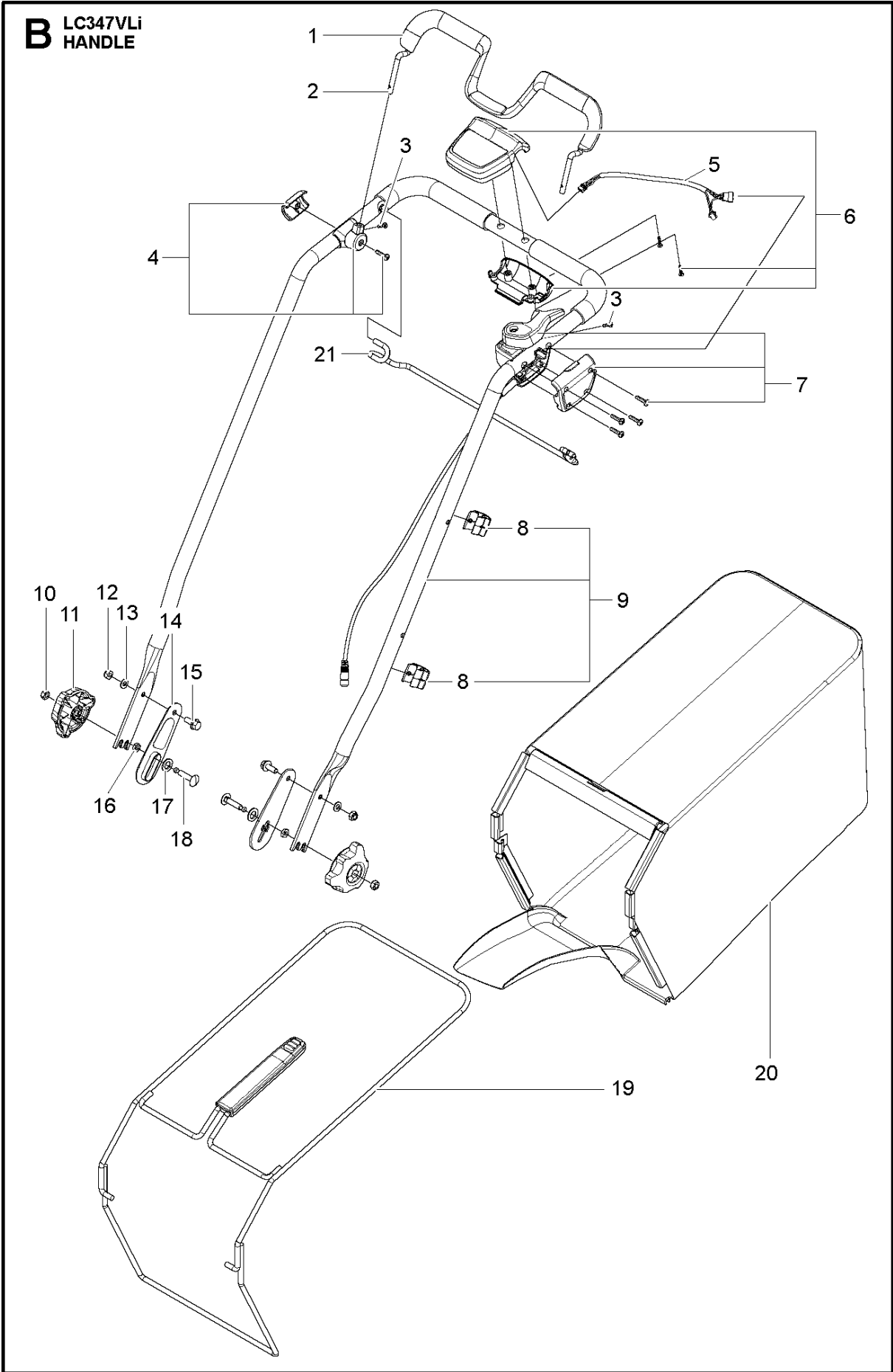
**C** LC347VLI  
BLADE



BLADE MOTOR & CUTTING EQUIPMENT

LC347 VLi, 9677663001, 2018-01

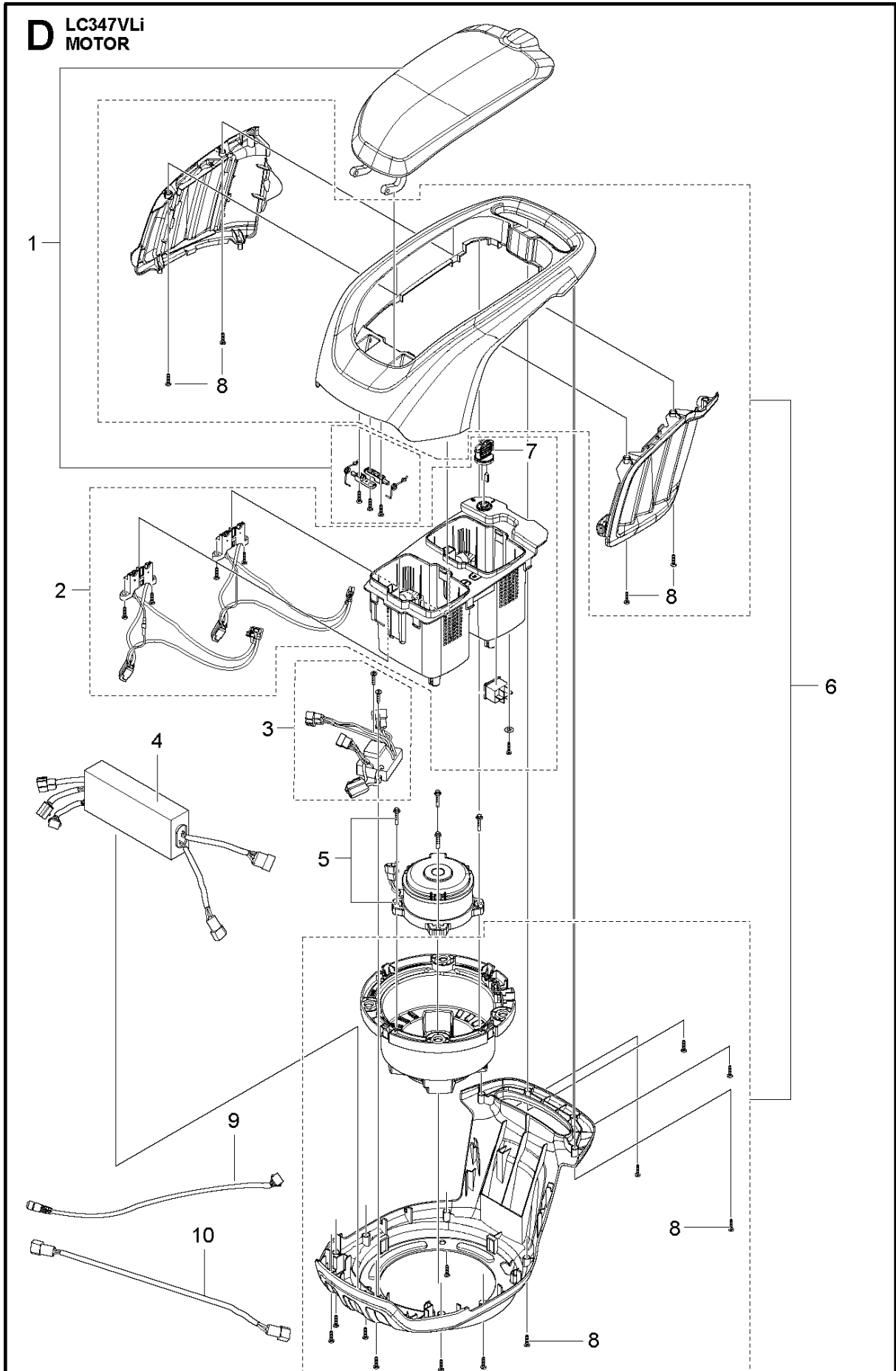
Ref	Part No	Description	Remark	QTY	KIT
1	590 53 14-02	POWER UNIT	Powerhead Unit	1	2, 3
2	504 46 68-01	WASHER	10.5x22x2 BRB ZPB	4	1
3	725 25 02-71	SCREW EHHM	M10x55 8.8 ZPB,ISO 4017	4	1
4	578 29 51-01	SLEEVE	For engine screws, Plastic chassis	4	
5	591 08 43-01	BLADE SUPPORT	Transmission system	1	
6	593 72 09-01	BLADE KIT	Collect, 47cm, Incl bolt & washers	1	



## HANDLE

LC347 VLi, 9677663001, 2018-01

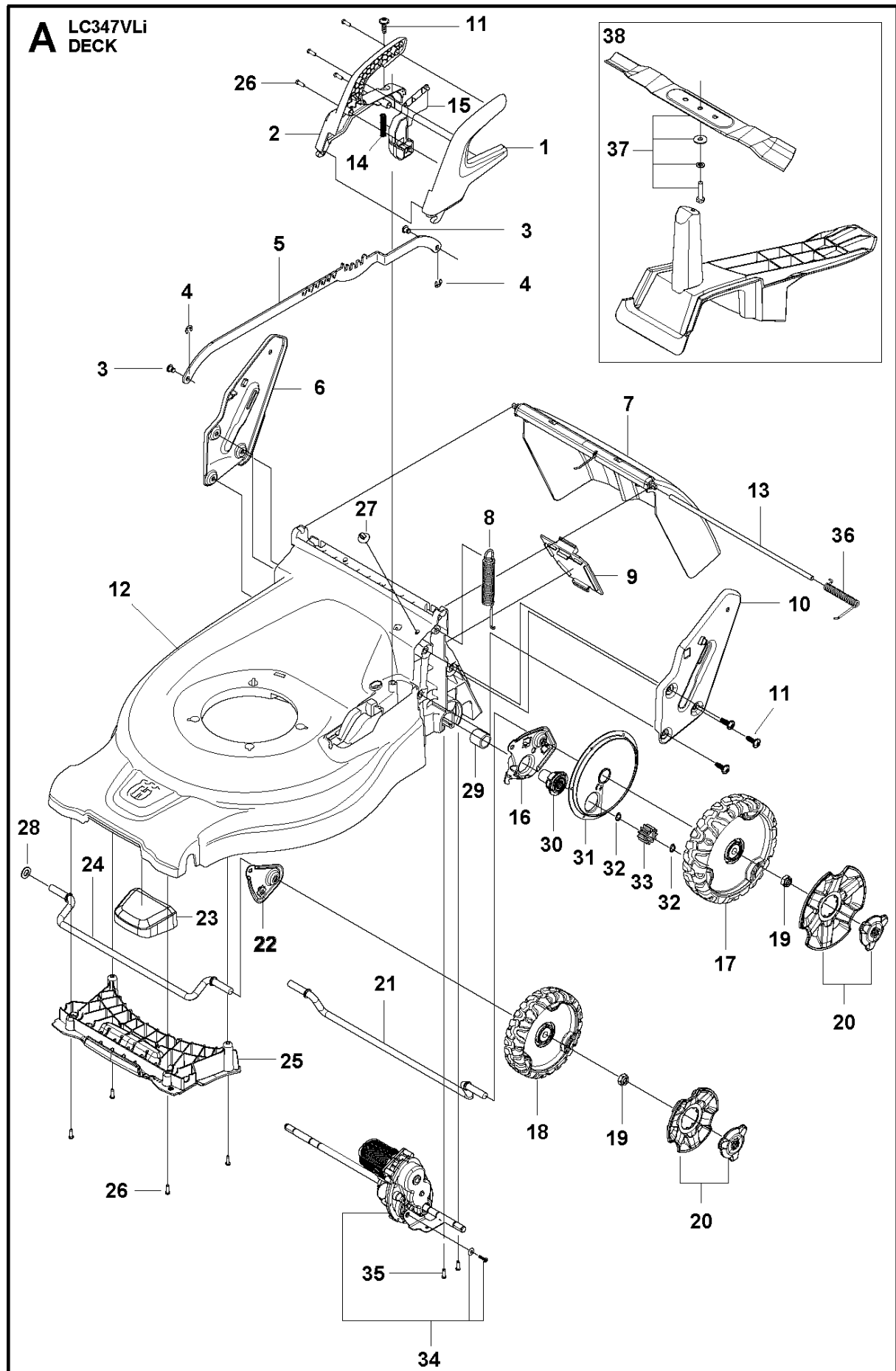
Ref	Part No	Description	Remark	QTY	KIT
1	590 59 38-01	GRIP	Ergonomic bail attachment	1	
2	590 59 39-02	BAIL	OPC Bail	1	
3	593 19 87-01	DRIVE SCREW	M4 bail screw	2	
4	593 11 87-01	BAIL ARM ASSY	Bail support assembly	1	
5	593 19 86-01	EXTENSION CABLE	Control panel assy cable	1	
6	593 10 61-01	CONTROL BOARD	Push	1	
7	593 11 80-01	SWITCHBOX ASSY	Push	1	
8	591 08 64-01	CABLE HOLDER	Handle mounted clip	2	9
9	593 11 97-01	HANDLE ASSY	Upper	1	8
10	731 23 18-01	HEXAGON NUT	M8 8 ZPB,ISO 4032	2	
11	587 23 72-01	KNOB	handle	2	
12	732 21 18-01	LOCK NUT	M8-8	2	
13	734 18 20-51	WASHER	8x16x1.5 St ZPB, Type NB	2	
14	587 78 04-01	WASHER	Washer handle/handlesupport	2	
15	506 57 01-04	SCREW EHHFM	M8x20 8.8 ZPB,EHHFM	2	
16	731 43 18-01	HEXAGON THIN NUT	M8 St 04 ZPB,ISO 4035	2	
17	588 15 74-01	WASHER	Nylon Washer	2	
18	588 15 73-02	BOLT	Esloc, Carriage Bolt M8	2	
19	589 69 29-01	HANDLE	Grassbag	1	
20	587 29 23-01	GRASSBAG	Husqvarna, Fabric assembly	1	
21	587 10 18-02	BAIL	HVA, single speed	1	



## MOTOR

LC347 VLi, 9677663001, 2018-01

Ref	Part No	Description	Remark	QTY	KIT
1	593 12 43-01	LID ASSY	Powerhead lid and hinge	1	
2	593 12 45-01	BATTERY BOX	Battery pocket	1	7
3	593 13 36-01	CONTACT PLATE	Battery control plate	1	
4	593 13 27-01	CONTROL UNIT	Motor control box	1	
5	592 74 93-01	MOTOR	Brushless motor 750W	1	
6	593 20 39-01	ENGINE HOOD ASSY	Power unit cover	1	
7	501 49 01-01	KEY	battery pocket key	1	2
8	593 75 55-01	SCREW	Engine hood screws	16	
9	593 72 28-01	CABLE	handle	1	
10	593 72 26-01	CABLE	transmission	1	





## MOWER DECK / CUTTING DECK

LC347 VLi, 9677663001, 2018-01

Ref	Part No	Description	Remark	QTY KIT
1	587 20 37-01	COVER HALF	Husqvarna,Suspension - Left - Height adjustment	1
2	587 20 38-01	COVER HALF	Husqvarna,Suspension - Right - Height adjustment	1
3	587 68 70-01	SHAFT	Suspension	2
4	735 31 12-20	E-CLIP	7x0.9 St PP,SHAFTS	2
5	587 16 08-01	ROD	Suspension 170/210	1
6	587 21 23-02	HANDLE SUPPORT	right	1
7	587 10 14-03	HATCH	HVA,rear discharge	1
8	587 67 44-01	SPRING	47 cm,Balance - Suspension	1
9	587 09 54-02	COVER	Service door	1
10	587 21 21-02	HANDLE SUPPORT	left	1
11	578 17 58-02	SCREW ITXPANT	8x24, TBO,For Thermoplastics	7
12	587 15 10-03	CHASSIS	Husqvarna,47 cm	1
13	586 98 46-01	AXLE		1
14	589 59 76-01	SPRING	HA Button	1
15	587 69 74-01	BUTTON	ASSY - Suspension - Height adjustment	1
16	587 07 25-01	LINK ARM	Rear idler 210	1
17	584 14 22-03	WHEEL ASSY	Husqvarna, With Sleeve,210, idle, medium	2
18	587 63 15-01	WHEEL ASSY	Husqvarna,170, Idler	2
19	587 99 09-01	NUT	Lock, M12x10	4
20	584 15 93-01	HUB CAP	Wheel 210mm	4
21	587 07 26-01	WHEEL AXLE	Rear 47 cm,Suspension	1
22	587 07 24-01	LINK ARM	Front idler 170	2
23	590 53 15-01	COUNTERWEIGHT	cast iron	1
24	587 07 26-02	WHEEL AXLE	Front 47 cm,Suspension	1
25	588 20 27-01	SKID PLATE	Husqvarna,Front	1
26	502 43 53-01	SCREW ITXPANT	T50x16 Zn/Fe (A009)	4
27	579 31 74-01	STRAP	FIR TREE 170x5	1
28	577 09 28-01	WASHER	12/22/2 FZB ISO7089	1
29	579 68 28-02	TUBE	Rubber	2
30	501 86 10-01	BUSHING	ASSY	1
31	587 20 40-02	DUST COVER	Drive 210	2
32	735 31 14-01	CIRCLIP	12x1 st ZPB,SGA	2
33	544 34 23-01	PINION	Full Width,PM, 11 T, 21.25mm Root Diam	1
34	590 67 90-01	TRANSMISSION	Assy	1
35	502 43 53-01	SCREW ITXPANT	T50x16 Zn/Fe (A009)	2
36	587 10 15-01	SPRING	hatch	1
37	593 72 09-02	BLADE KIT	47cm, Incl bolt & washers, Mulch	1
38	590 79 09-01	MULCH KIT	Mulch plug and combi blade kit	1