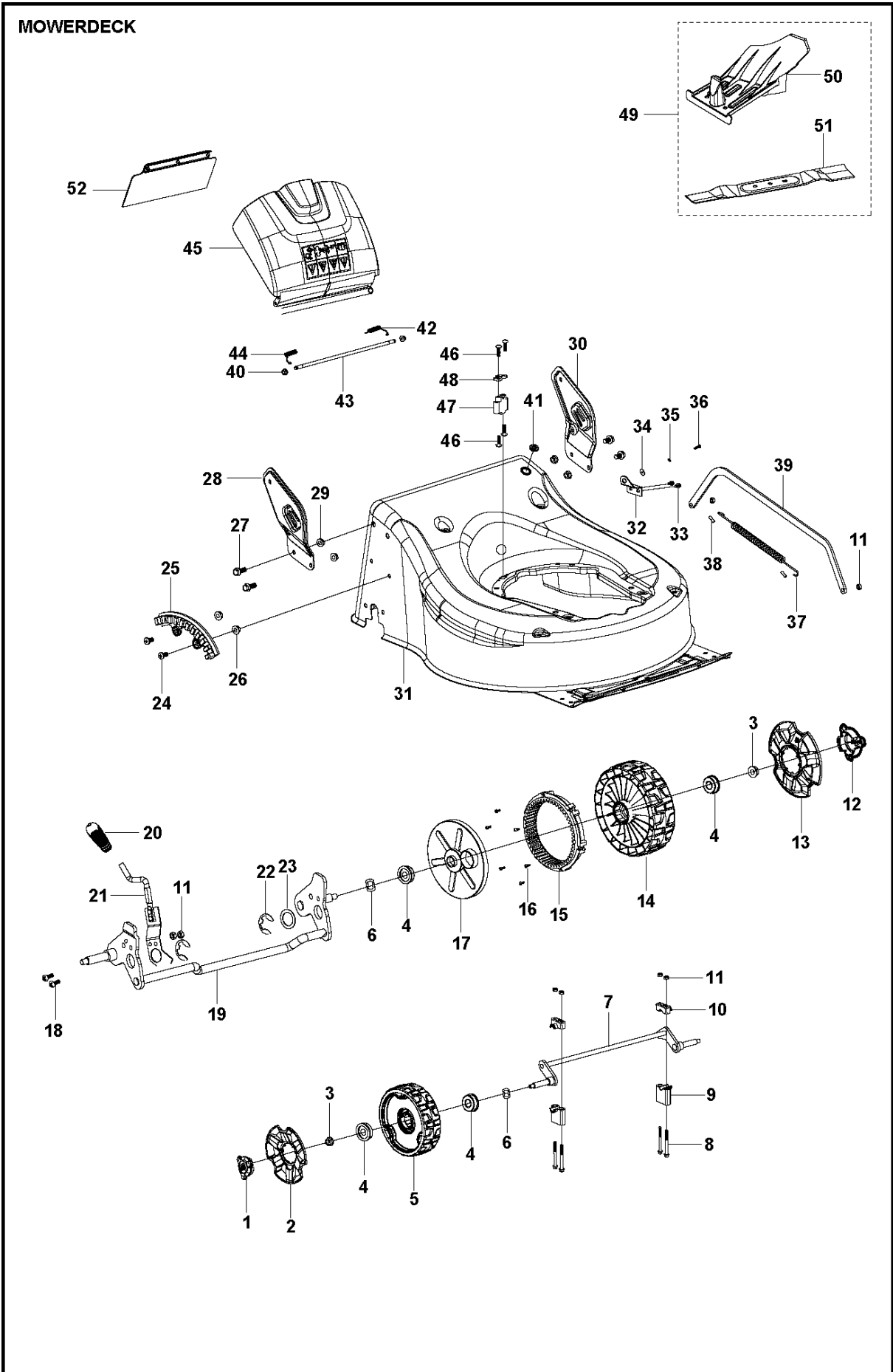




SPARE PARTS LIST

LAWN MOWERS: CONSUMER
WALK-BEHINDS

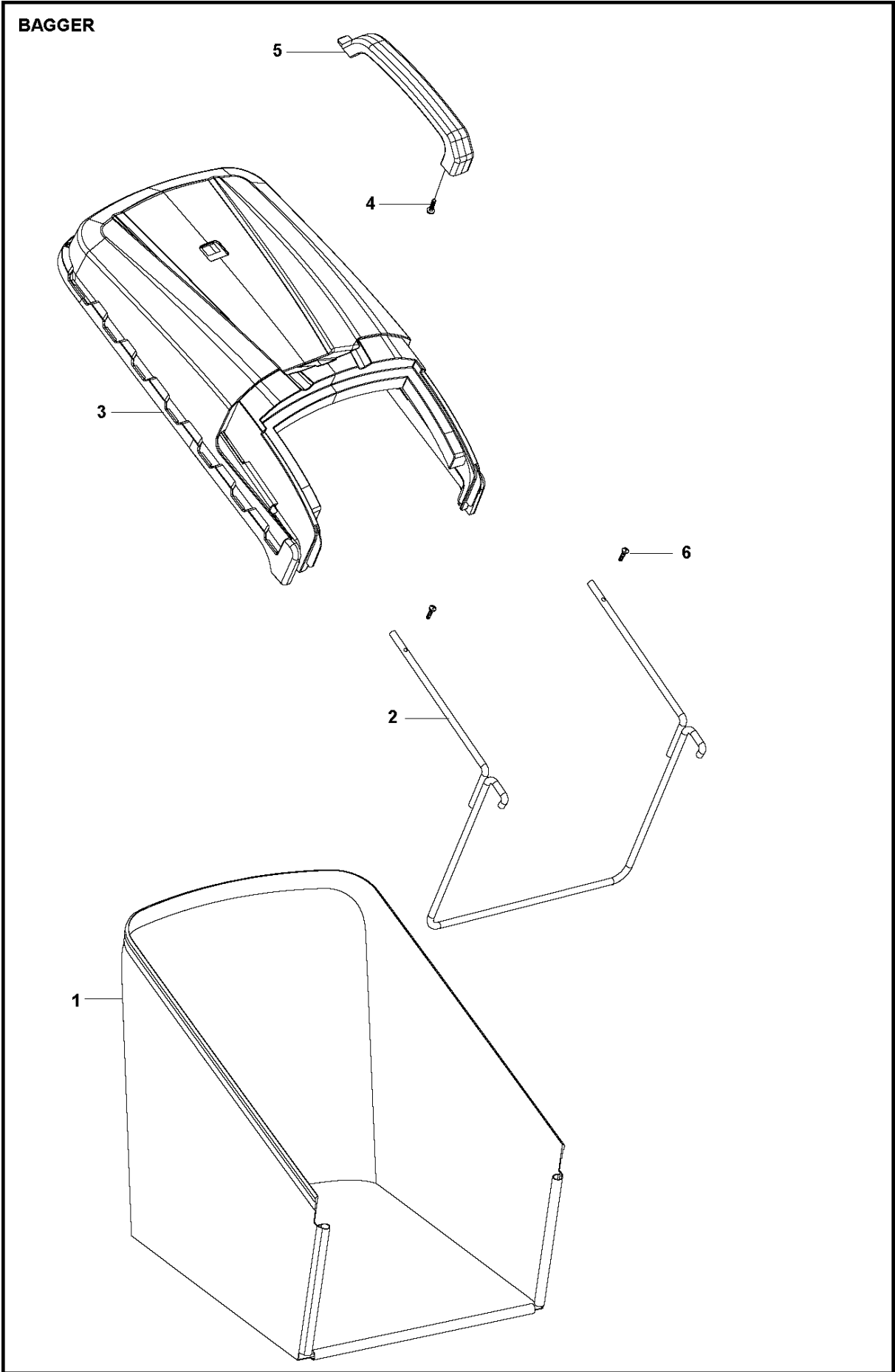
LE116R, 967820601, 2018-02



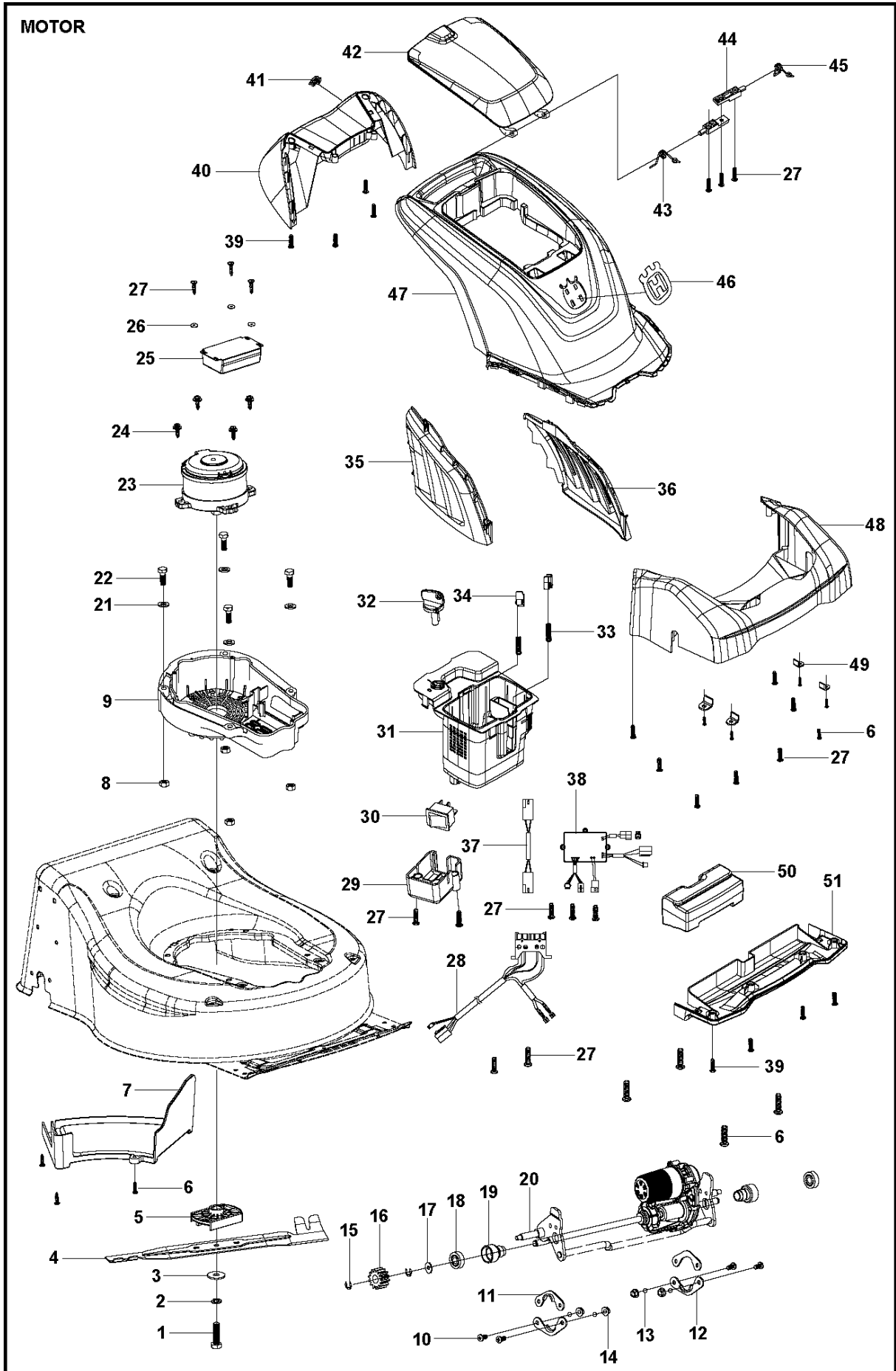
MOWER DECK / CUTTING DECK

LE116R, 967820601, 2018-02

Ref	Part No	Description	Remark	QTY	KIT
1	587 58 50-01	WHEEL COVER		2	
2	501 49 15-01	COVER		2	
3	587 91 35-01	LOCKING BOLT		4	
4	587 91 29-01	BEARING		8	
5	501 49 16-01	WHEEL ASSY		2	
6	587 91 46-01	WASHER		4	
7	579 68 48-01	FRONT AXLE ASSY		1	
8	579 68 46-01	BOLT		4	
9	579 68 47-01	SUPPORT		2	
10	579 68 49-01	SUPPORT		2	
11	587 91 31-01	LOCKING BOLT		8	
12	587 58 51-01	WHEEL COVER		2	
13	587 58 53-01	WHEEL COVER		2	
14	587 58 55-01	WHEEL		2	
15	587 91 01-01	GEAR WHEEL		2	
16	579 68 67-01	SCREW		12	
17	587 58 62-01	COVER		2	
18	587 91 27-01	WASHER		2	
19	589 75 78-01	SHAFT ASSY		1	
20	587 58 57-01	KNOB		1	
21	502 50 27-01	HANDLE ASSY		1	
22	587 91 48-01	WASHER		2	
23	587 91 08-01	WASHER		1	
24	579 68 51-01	BOLT		2	
25	587 90 99-01	SEGMENT		1	
26	579 68 52-01	NUT		2	
27	587 91 39-01	BOLT		4	
28	501 05 44-01	BRACKET		1	
29	579 68 79-01	NUT		4	
30	579 68 81-01	BRACKET		1	
31	589 75 81-01	CHASSIS		1	
32	589 75 82-01	GUIDE PLATE		1	
33	589 75 83-01	BOLT		2	
34	589 75 84-01	WASHER		1	
35	589 75 90-01	SPRING WASHER		1	
36	589 75 91-01	SCREW		1	
37	587 91 49-01	SPRING		1	
38	587 91 58-01	TUBING		2	
39	579 68 53-01	CONNECTING ROD		1	
40	587 91 34-01	LOCK NUT		2	
41	587 91 00-01	COVER		1	
42	587 91 50-01	BRACKET		1	
43	502 23 10-01	ROD		1	
44	587 91 51-01	SPRING		1	
45	589 76 04-01	FLAP		1	
46	579 68 55-01	SCREW		4	
47	589 76 05-01	HOLDER		1	
48	579 68 57-01	PLATE		1	
49	582 87 28-01	MULCH KIT		1	
50	582 89 51-01	PLUG		1	49
51	579 85 69-01	BLADE		1	49
52	595 07 75-01	COVER KIT		1	



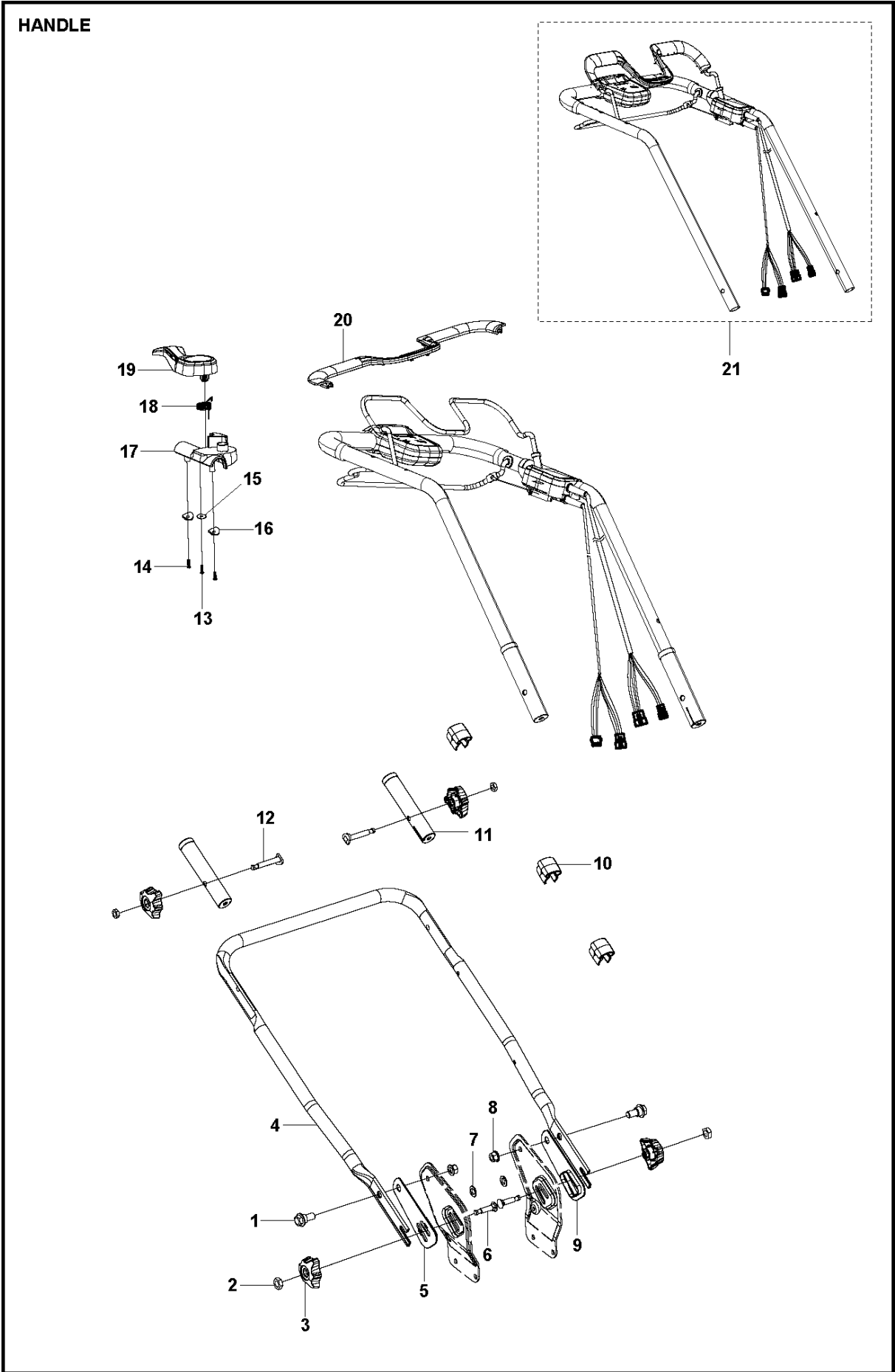
Ref	Part No	Description	Remark	QTY KIT
1	587 58 63-01	GRASSBAG		1
2	587 91 18-01	BRACKET		1
3	587 58 60-01	COVER		1
4	587 91 23-01	SCREW		1
5	587 58 61-01	HANDLE		1
6	579 68 67-01	SCREW		2



MOTOR

LE116R, 967820601, 2018-02

Ref	Part No	Description	Remark	QTY KIT
1	579 68 41-01	BOLT		1
2	579 68 42-01	SPRING WASHER		1
3	579 68 43-01	WASHER		1
4	501 17 16-01	MOWER BLADE		1
5	579 68 45-01	BLADE SUPPORT		1
6	579 68 75-01	SCREW		15
7	582 89 49-01	COVER		1
8	579 68 58-01	NUT		4
9	579 68 59-01	HOLDER		1
10	587 91 26-01	SCREW		4
11	587 99 24-01	FIXING PLATE		2
12	587 91 09-01	FIXING PLATE		2
13	587 99 25-01	O-RING		4
14	587 91 34-01	LOCK NUT		4
15	587 91 47-01	WASHER		4
16	589 75 79-01	GEAR		2
17	587 91 45-01	WASHER		2
18	587 91 30-01	BEARING		2
19	587 91 55-01	BEARING HOUSING		2
20	589 75 80-01	GEARBOX ASSY		1
21	579 68 60-01	WASHER		4
22	579 68 61-01	BOLT		4
23	579 68 62-01	MOTOR		1
24	579 68 63-01	SCREW		4
25	579 68 64-01	ELECTRONIC BOX		1
26	579 68 65-01	WASHER		3
27	579 68 55-01	SCREW		17
28	579 68 66-02	WIRE		1
29	579 68 68-01	PLATE		1
30	579 68 69-01	KEY SWITCH		1
31	501 48 96-02	BOX		1
32	501 49 01-01	KEY		1
33	579 68 70-01	SPRING		2
34	501 49 02-01	CAP		2
35	501 48 87-01	COVER		1
36	501 48 85-01	COVER		1
37	589 75 92-01	LINE		1
38	589 75 93-01	CONTROL		1
39	579 68 67-01	SCREW		8
40	501 48 88-01	COVER		1
41	579 68 71-01	WIRE		1
42	501 48 83-01	COVER		1
43	579 68 77-01	TORSION SPRING		1
44	501 48 98-01	HINGE		2
45	579 68 78-01	TORSION SPRING		1
46	501 48 91-01	DECAL		1
47	501 48 84-01	COVER		1
48	501 48 89-01	COVER		1
49	579 68 76-01	WASHER		4
50	579 84 39-01	WEIGHT		1
51	501 48 95-01	COVER		1



HANDLE

LE116R, 967820601, 2018-02

Ref	Part No	Description	Remark	QTY KIT
1	502 42 99-01	BOLT		2
2	587 91 33-01	HEXAGON NUT		4
3	587 58 58-01	KNOB		4
4	579 68 80-01	HANDLEBAR		1
5	501 05 56-01	PLATE		1
6	502 25 99-01	BOLT		2
7	502 25 87-01	SPACER RING		2
8	587 91 35-01	LOCKING BOLT		2
9	501 05 55-01	PLATE		1
10	501 05 57-01	HOLDER		3
11	501 05 54-01	COVER		2
12	502 40 21-01	BOLT		2
13	579 68 67-01	SCREW		1
14	579 68 75-01	SCREW		2
15	579 68 65-01	WASHER		1
16	579 68 87-01	WASHER		2
17	501 49 03-01	HOLDER		1
18	579 68 88-01	TORSION SPRING		1
19	501 49 04-01	COVER		1
20	501 49 13-01	COVER		1
21	589 96 99-01	HANDLE KIT		1