

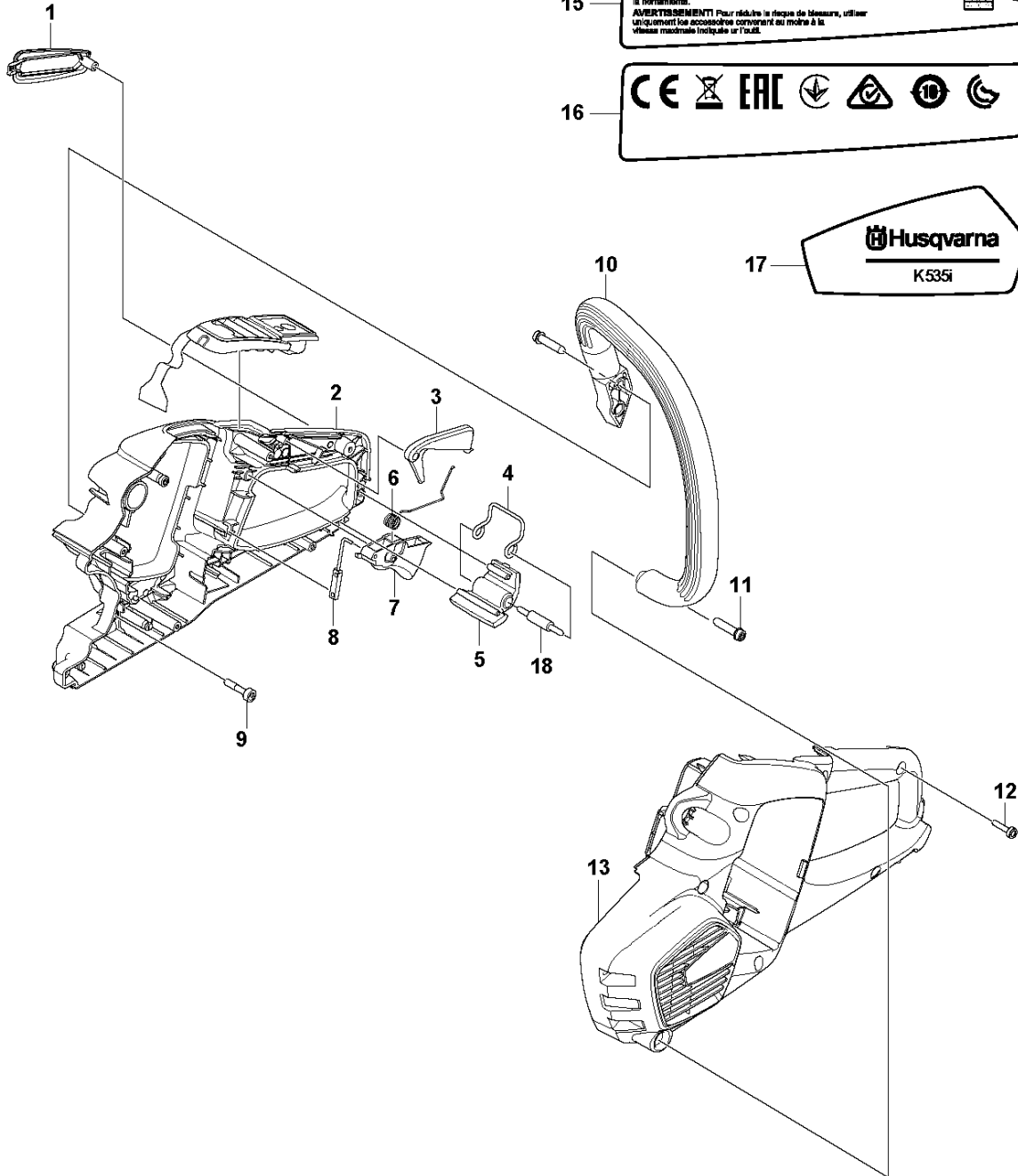


SPARE PARTS LIST

POWER CUTTERS

K 535i, 2018-10

A K 535i
CHASSIS



HUSQVARNA AB, 661 82 HUSKVARNA, SWEDEN
Made in Sweden, www.husqvarna.com

14

WARNING! To reduce the risk of injury, use only accessories rated at least equal to the maximum speed marked on the tool.
ADVERTENCIA! Para reducir el riesgo de lesiones, use solo accesorios clasificados como mínimo iguales a la velocidad máxima marcada en la herramienta.
AVVERTISSEMENT! Pour réduire le risque de blessure, utiliser uniquement les accessoires convenant au moins à la vitesse maximale indiquée sur l'outil.

15

16

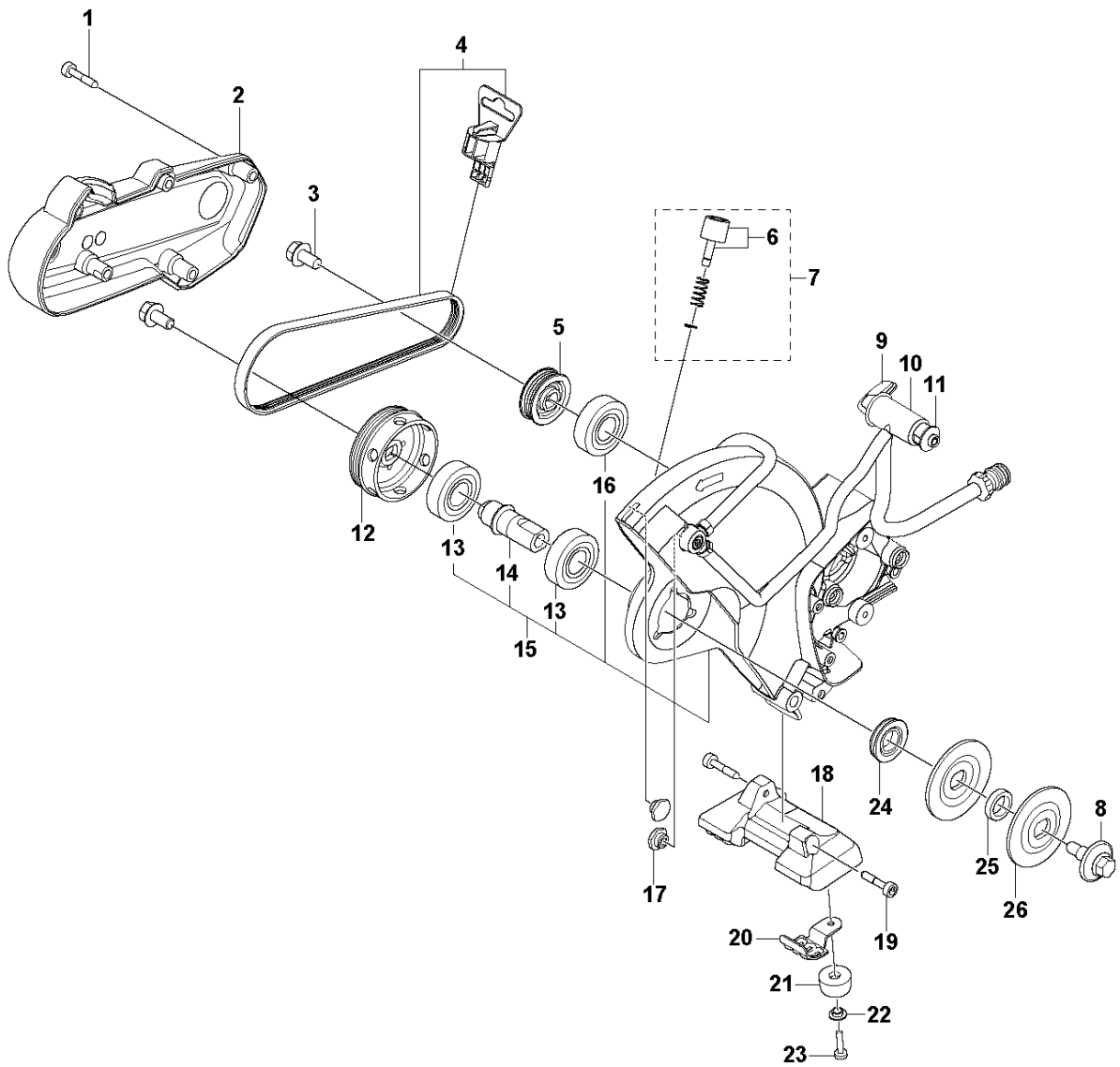


CHASSIS

K 535i, 2018-10

Ref	Part No	Description	Remark	QTY KIT
1	577 26 19-01	HANDLE INSERT		1
2	590 88 82-01	HANDLE HALF		1
3	506 49 57-01	THROTTLE LOCKOUT		1
4	590 91 09-01	LOOP		1
5	590 88 87-01	GROUND SUPPORT		1
6	544 09 99-01	SPRING		1
7	577 31 27-01	THROTTLE CONTROL		1
8	577 85 51-01	THROTTLE ROD ASSY		1
9	503 21 53-26	SCREW ITXSCM		3
10	577 06 35-01	FRONT HANDLE		1
11	525 79 81-03	SCREW ITXSCFT		2
12	580 29 29-01	SCREW ITXSCT		6
13	590 88 83-01	HANDLE HALF		1
14	593 19 93-01	DECAL		1
15	593 19 92-01	DECAL		1
16	593 19 92-02	DECAL		1
17	593 73 27-01	DECAL		1
18	596 32 71-01	PIN		1

B K 535i
BLADE GUARD

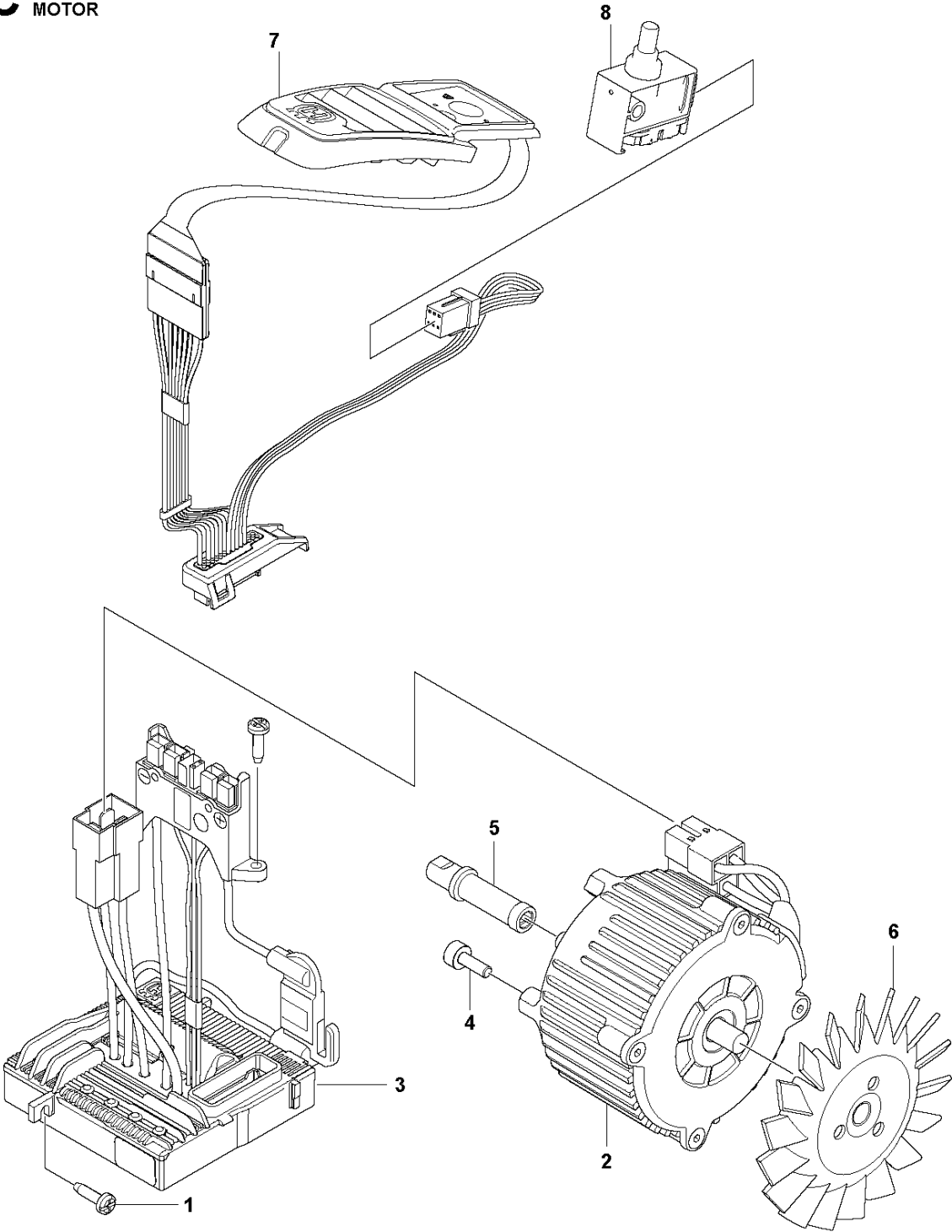


BLADE GUARD

K 535i, 2018-10

Ref	Part No	Description	Remark	QTY	KIT
1	503 21 53-26	SCREW ITXSCM		5	
2	590 88 84-01	BELT GUARD		1	
3	503 20 00-45	SCREW EHHFM		2	
4	590 88 54-01	BELT		1	
5	593 16 10-01	PULLEY		1	
6	596 59 14-01	LOCKING BUTTON		1	
7	596 59 15-01	LOCKING BUTTON		1	
8	590 50 38-01	SCREW		1	
9	597 41 59-01	VALVE ASSY		1	
10	591 14 63-01	VALVE ASSY	Including hoses	1	
11	586 44 31-01	SCREW ITXSCT		1	
12	593 16 11-01	PULLEY		1	
13	583 95 33-01	BALL BEARING		2	15
14	590 88 46-01	SHAFT		1	15
15	596 59 17-01	CUTTER ARM		1	
16	738 22 01-19	BALL BEARING		1	15
17	576 79 84-01	NIPPLE		2	
18	590 88 85-01	GROUND SUPPORT		1	
19	503 21 53-25	SCREW ITXSCM		2	
20	590 88 86-01	WEAR PROTECTION		2	
21	590 48 80-01	DAMPER		2	
22	590 48 81-01	BUSHING		2	
23	580 29 29-01	SCREW ITXSCT		2	
24	590 88 47-01	SUPPORT FLANGE		1	
25	591 10 77-01	BUSHING		1	
26	590 89 03-01	FLANGE		2	

C K 535i
MOTOR

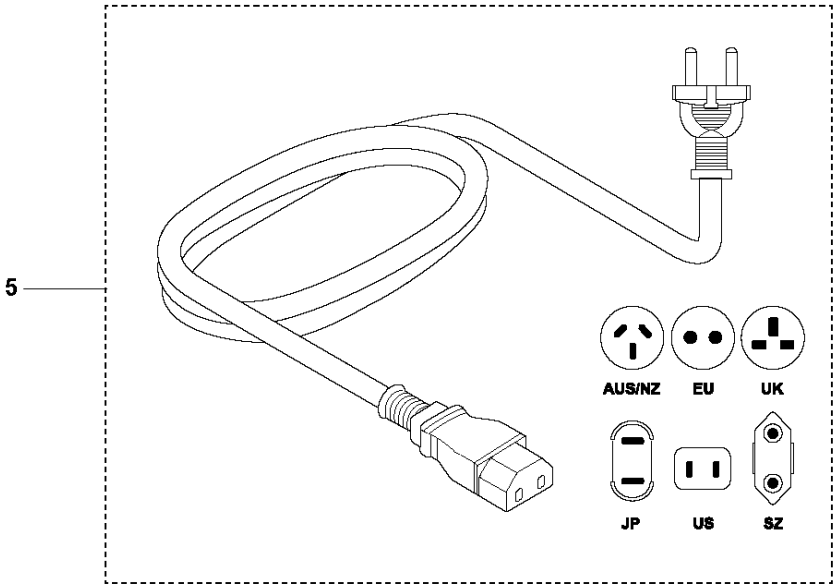
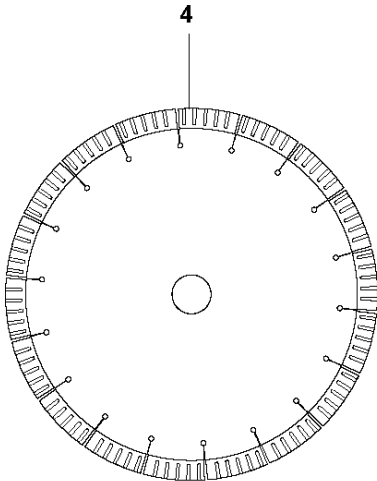
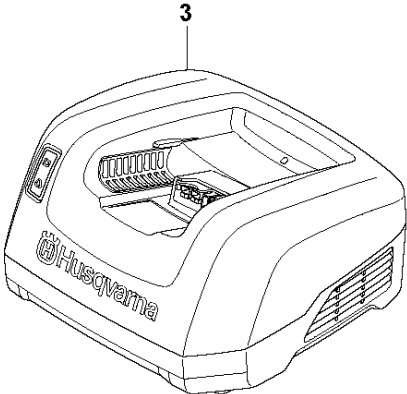
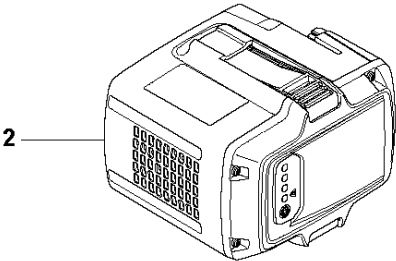
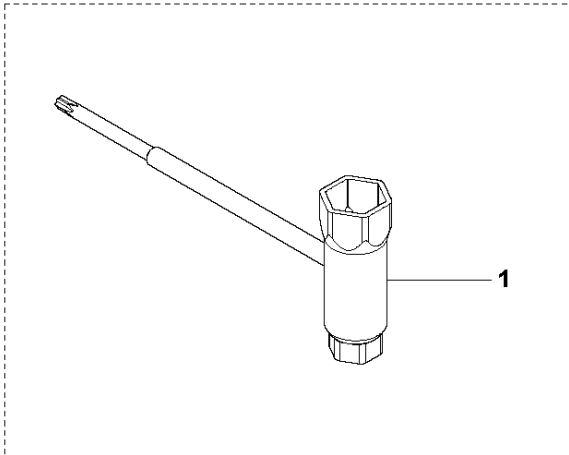


MOTOR

K 535i, 2018-10

Ref	Part No	Description	Remark	QTY KIT
1	578 77 61-03	SCREW ITXPANT		4
2	577 31 58-02	MOTOR ASSY		1
3	591 11 58-02	CONTROL UNIT		1
4	526 81 81-01	SCREW ITXSCM		4
5	593 08 67-01	SHAFT		1
6	581 30 09-01	FAN		1
7	592 63 42-01	WIRING ASSY		1
8	582 05 07-01	TRIGGER SWITCH		1

X K 535i
ACCESSORIES



ACCESSORIES

K 535i, 2018-10

Ref	Part No	Description	Remark	QTY KIT
1	506 38 26-01	TOOL		1
2	967 96 41-01	BATTERY	BLi 200	1
2	967 96 41-02	BATTERY	BLi 200 US/CA	1
2	967 96 43-01	BATTERY	BLi 300	1
2	967 96 43-02	BATTERY	BLi 300 I US/CA	1
3	967 96 49-01	BATTERY CHARGER	QC330 I EU	1
3	967 96 49-02	BATTERY CHARGER	QC330 I UK	1
3	967 96 49-03	BATTERY CHARGER	QC330 I US	1
3	967 96 49-04	BATTERY CHARGER	QC330 I JP	1
3	967 96 49-05	BATTERY CHARGER	QC330 I AU/NZ	1
3	967 96 49-06	BATTERY CHARGER	QC330 I SZ	1
3	967 96 49-07	BATTERY CHARGER	QC330 I BR	1
3	967 96 50-01	BATTERY CHARGER	QC500 I EU	1
3	967 96 50-02	BATTERY CHARGER	QC500 I UK	1
3	967 96 50-03	BATTERY CHARGER	QC500 I US	1
3	967 96 50-04	BATTERY CHARGER	QC500 I JP	1
3	967 96 50-05	BATTERY CHARGER	QC500 I AU/NZ	1
3	967 96 50-06	BATTERY CHARGER	QC500 I SZ	1
4	596 82 66-01	DIAMOND BLADE	ELITE-CUT	1
4	596 52 03-01	DIAMOND BLADE	TACTI-CUT	1
4	574 85 38-01	DIAMOND BLADE	VARI-CUT	1
4	596 82 67-01	ABRASIVE DISC	ABRASIVE DISC METAL	1
5	578 08 19-01	MAINS CABLE	QC330/QC500-CORD 330W/500W, 220V-EU	1
5	579 13 06-01	MAINS CABLE	QC330/QC500-CORD 330W/500W, 220V-UK	1
5	579 13 04-01	MAINS CABLE	QC330/QC500-CORD 330W/500W-US	1
5	581 29 49-01	MAINS CABLE	QC330/QC500-CORD 330W/500W-JP	1
5	581 29 50-01	MAINS CABLE	QC330/QC500-CORD 330W/500W-AU/NZ	1
5	582 63 97-01	WIRING ASSY	QC330/QC500-CORD 330W/500W-SZ	1