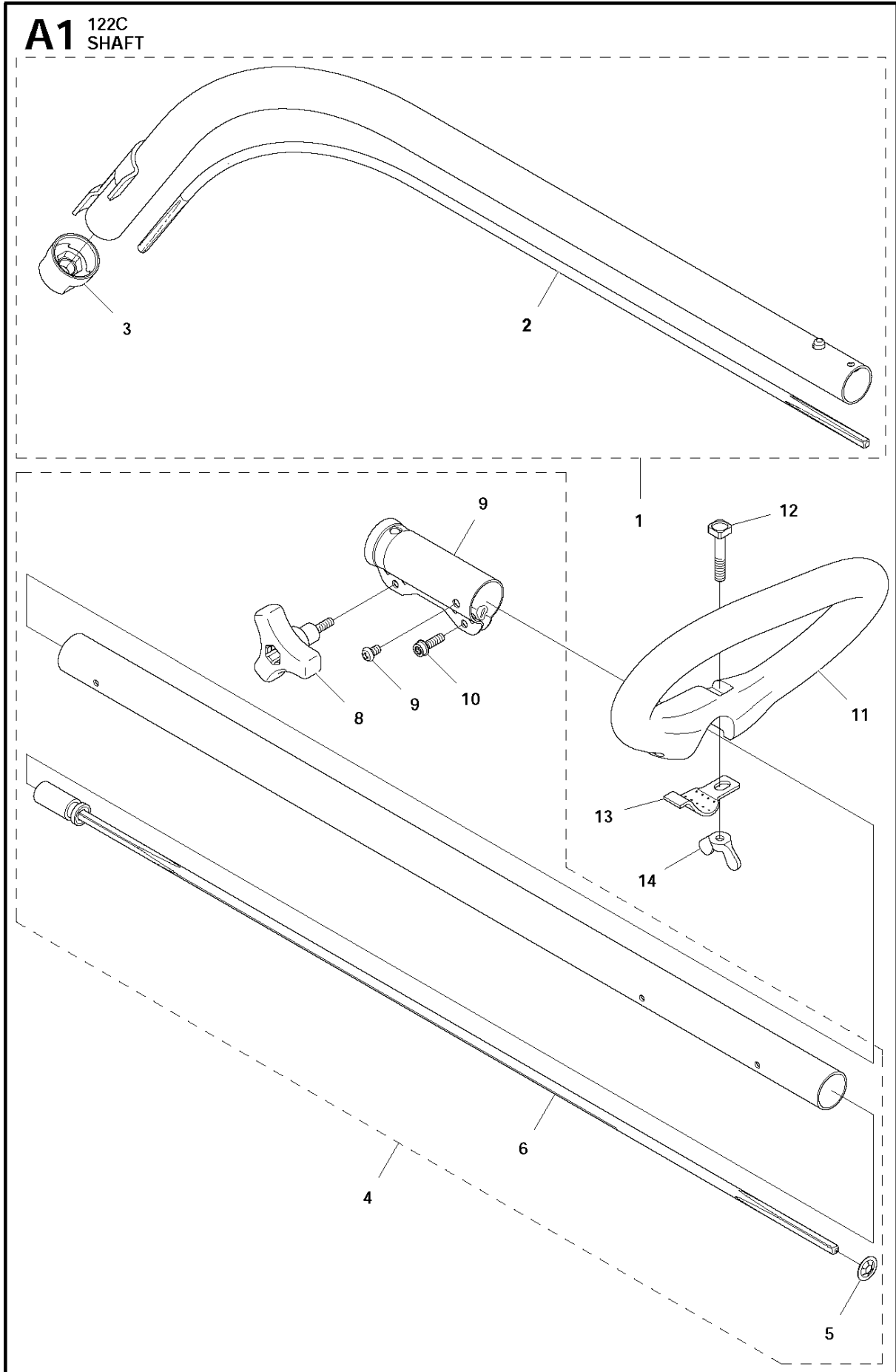




# SPARE PARTS LIST

TRIMMERS/EDGERS

122 C 966 77 97-01, 966 71 27-01

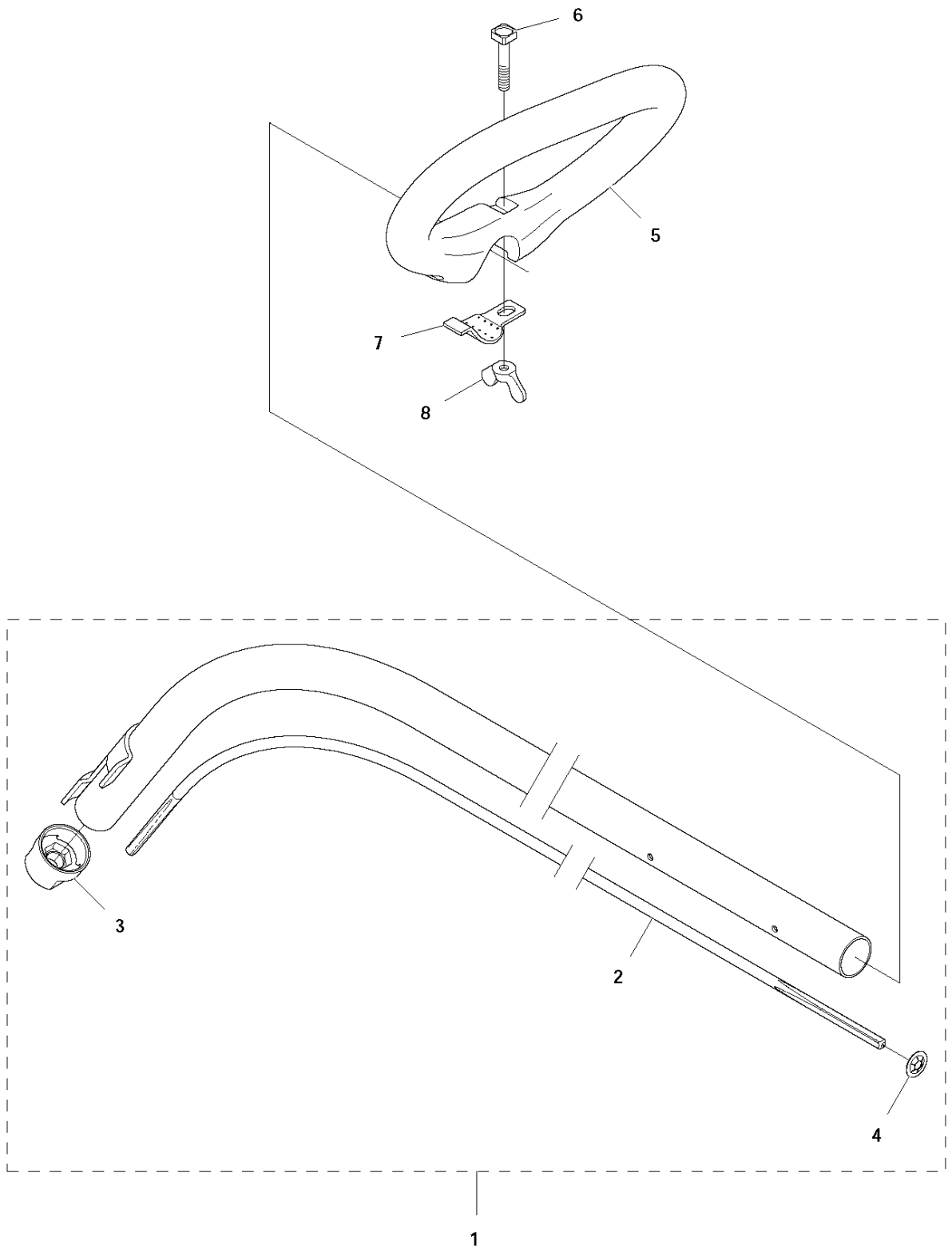


## SHAFT

122 C 966 77 97-01, 966 71 27-01

Ref	Part No	Description	Remark	QTY	KIT
1	574 41 90-01	SHAFT ASSY		1	
2	574 31 64-03	DRIVE SHAFT		1	1
3	574 41 83-01	DRIVER		1	1
4	574 36 51-01	TUBE		1	
5	574 36 79-01	LOCKWASHER		1	4
6	577 38 08-01	DRIVE SHAFT		1	4
7	574 32 77-01	CLAMP		1	4
8	574 32 22-01	KNOB		1	4
9	574 45 13-01	SCREW CRPANM		1	4
10	525 75 51-01	SCREW ITXSCFM		1	4
11	574 29 02-01	HANDLE		1	
12	577 24 50-01	SCREW		1	
13	574 29 04-01	CLAMP		1	
14	577 24 49-01	WING NUT		1	

**A2** 122C US  
SHAFT

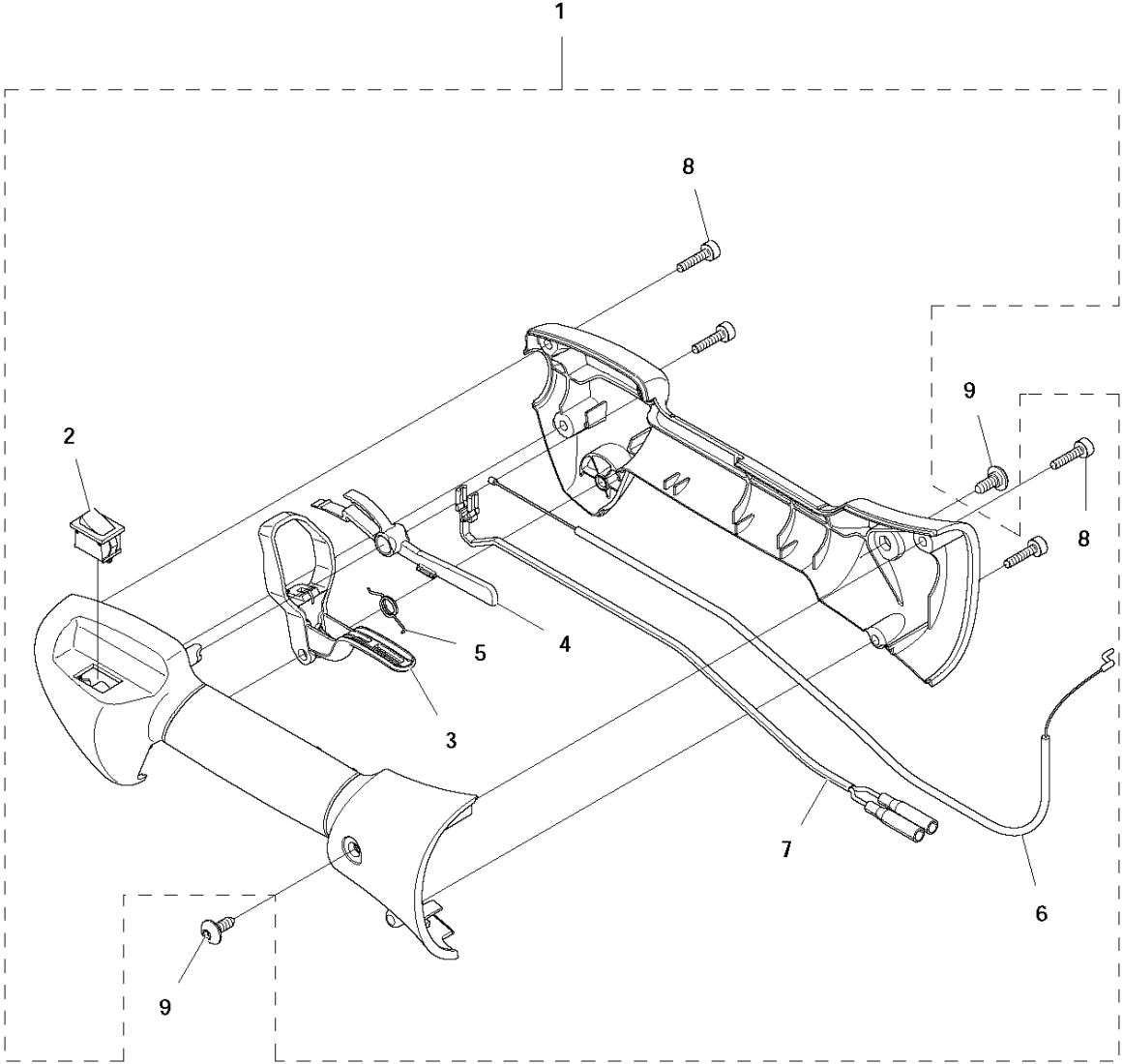


SHAFT

122 C 966 77 97-01, 966 71 27-01

Ref	Part No	Description	Remark	QTY	KIT
1	576 97 73-01	SHAFT ASSY	US	1	
2	574 31 64-04	DRIVE SHAFT	US	1	1
3	574 41 83-01	DRIVER		1	1
4	574 36 79-01	LOCKWASHER		1	1
5	574 29 02-01	HANDLE		1	
6	577 24 50-01	SCREW		1	
7	574 29 04-01	CLAMP		1	
8	577 24 49-01	WING NUT		1	

**B** 122C  
THROTTLE CONTROLS

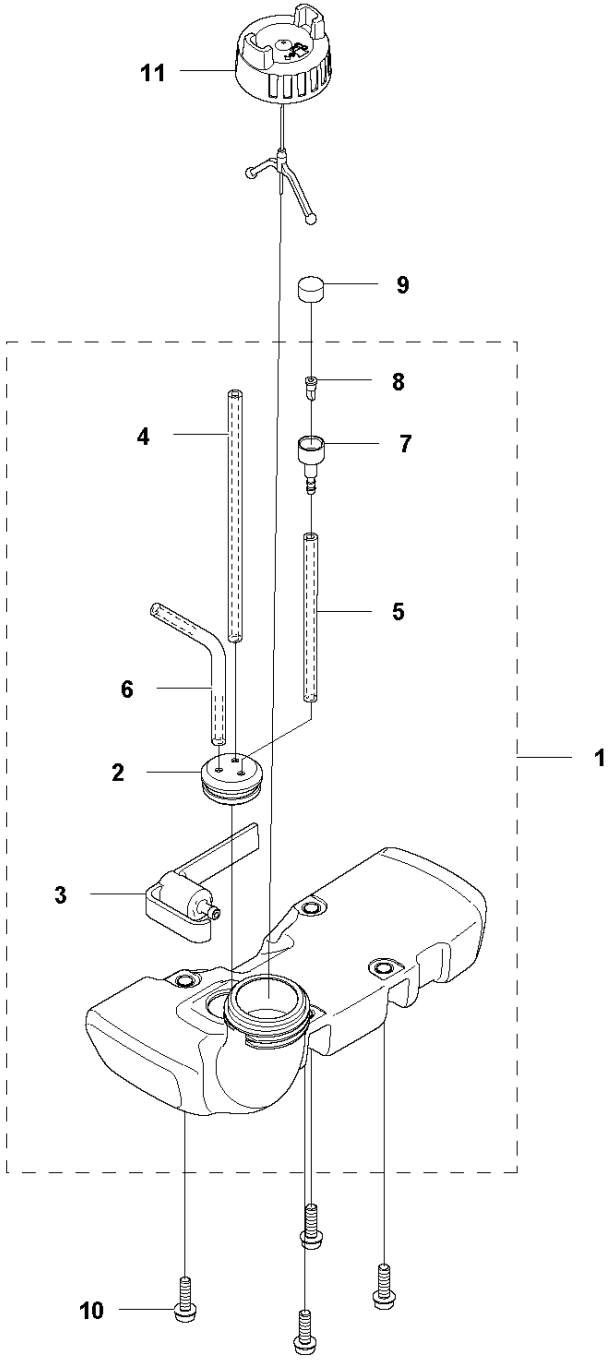


## THROTTLE CONTROLS

122 C 966 77 97-01, 966 71 27-01

Ref	Part No	Description	Remark	QTY	KIT
1	574 19 30-01	HANDLE ASSY		1	
2	575 31 58-01	STOP SWITCH		1	1
3	574 19 25-01	TRIGGER		1	1
4	574 19 24-01	THROTTLE LOCKOUT		1	1
5	576 85 17-01	SPRING		1	1
6	574 48 90-01	THROTTLE ASSY		1	1
7	574 48 88-03	SHORT CIRCUIT CABLE		1	1
8	574 44 40-01	SCREW ITXSCT		4	1
9	503 96 13-01	SCREW		2	

**C** 122C  
FUEL TANK



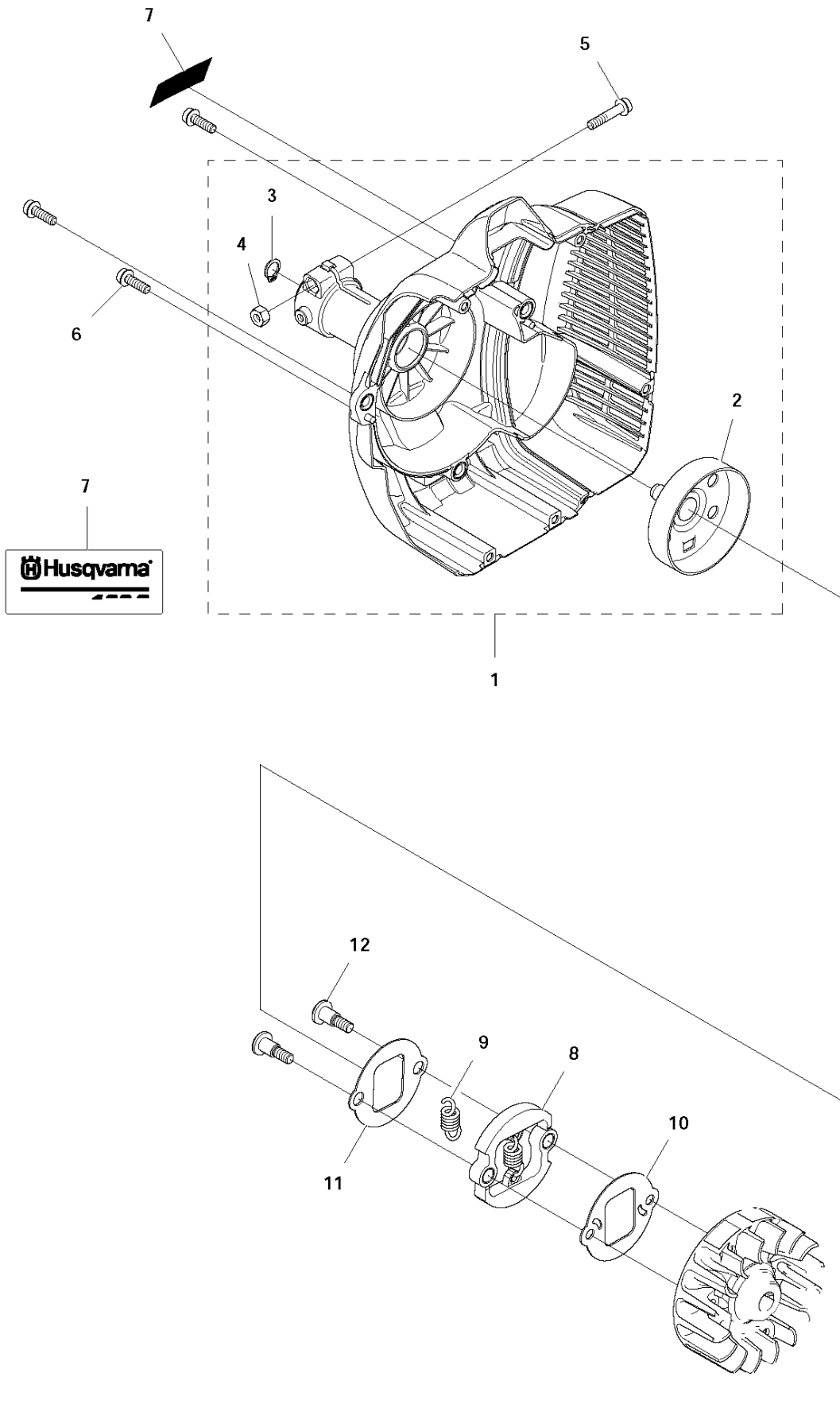


## FUEL TANK

122 C 966 77 97-01, 966 71 27-01

Ref	Part No	Description	Remark	QTY	KIT
1	577 04 48-01	FUEL TANK		1	
2	574 26 30-01	GROMMET		1	1
3	574 60 39-01	FUEL FILTER		1	1
4	574 60 02-02	HOSE	150mm	1	1
5	574 60 01-01	HOSE	155mm	1	1
6	578 97 56-03	FUEL HOSE	225mm	1	1
7	575 48 44-01	VALVE HOUSING		1	1
8	575 48 45-01	VALVE NIPPLE		1	1
9	575 48 46-01	FILTER		1	
10	525 75 51-01	SCREW ITXSCFM		4	
11	544 88 97-01	TANK CAP		1	

**D** 122C  
CLUTCH

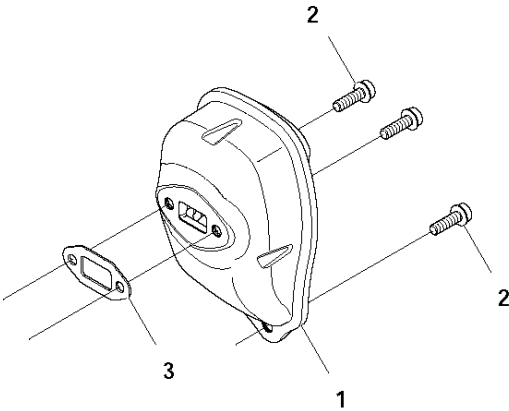


## CLUTCH

122 C 966 77 97-01, 966 71 27-01

Ref	Part No	Description	Remark	QTY	KIT
1	574 79 42-01	CLUTCH COVER ASSY		1	
2	525 59 37-01	CLUTCH DRUM ASSY		1	1
3	735 31 12-00	CIRCLIP		1	1
4	731 23 14-01	HEXAGON NUT		1	1
5	525 75 51-04	SCREW ITXSCFM		1	
6	525 75 51-01	SCREW ITXSCFM		3	
7	575 38 04-02	DECAL		1	
8	537 03 22-01	CLUTCH ASSY		1	
9	503 81 60-01	CLUTCH SPRING		1	8
10	537 04 68-02	WASHER		1	
11	537 04 67-02	WASHER		1	
12	503 84 29-02	SCREW		2	

**E** 122C  
MUFFLER

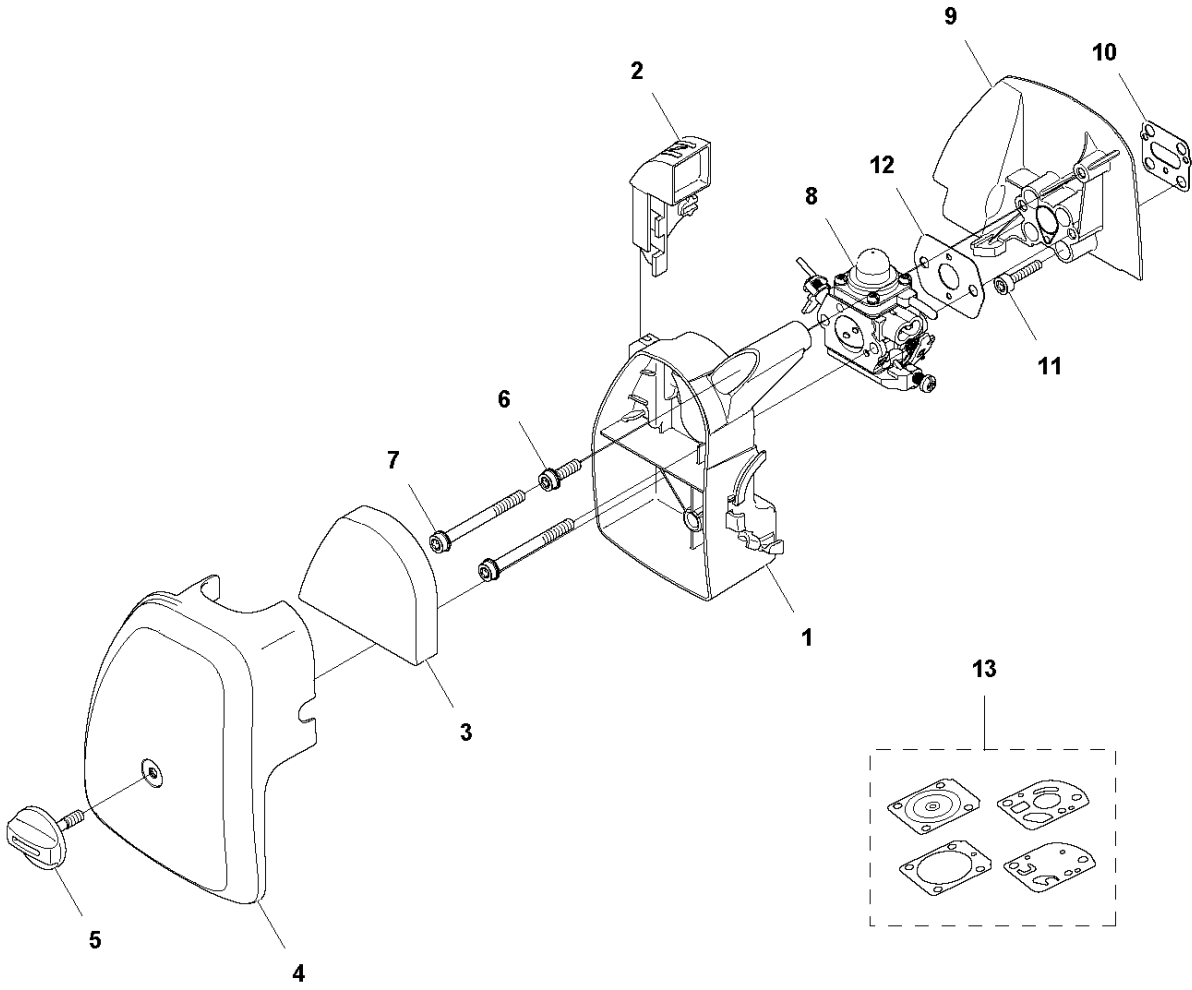


MUFFLER

122 C 966 77 97-01, 966 71 27-01

Ref	Part No	Description	Remark	QTY KIT
1	523 01 16-01	MUFFLER ASSY		1
2	525 75 51-01	SCREW ITXSCFM		3
3	522 99 73-01	GASKET		1

**F** 122C  
CARBURETOR & AIRFILTER

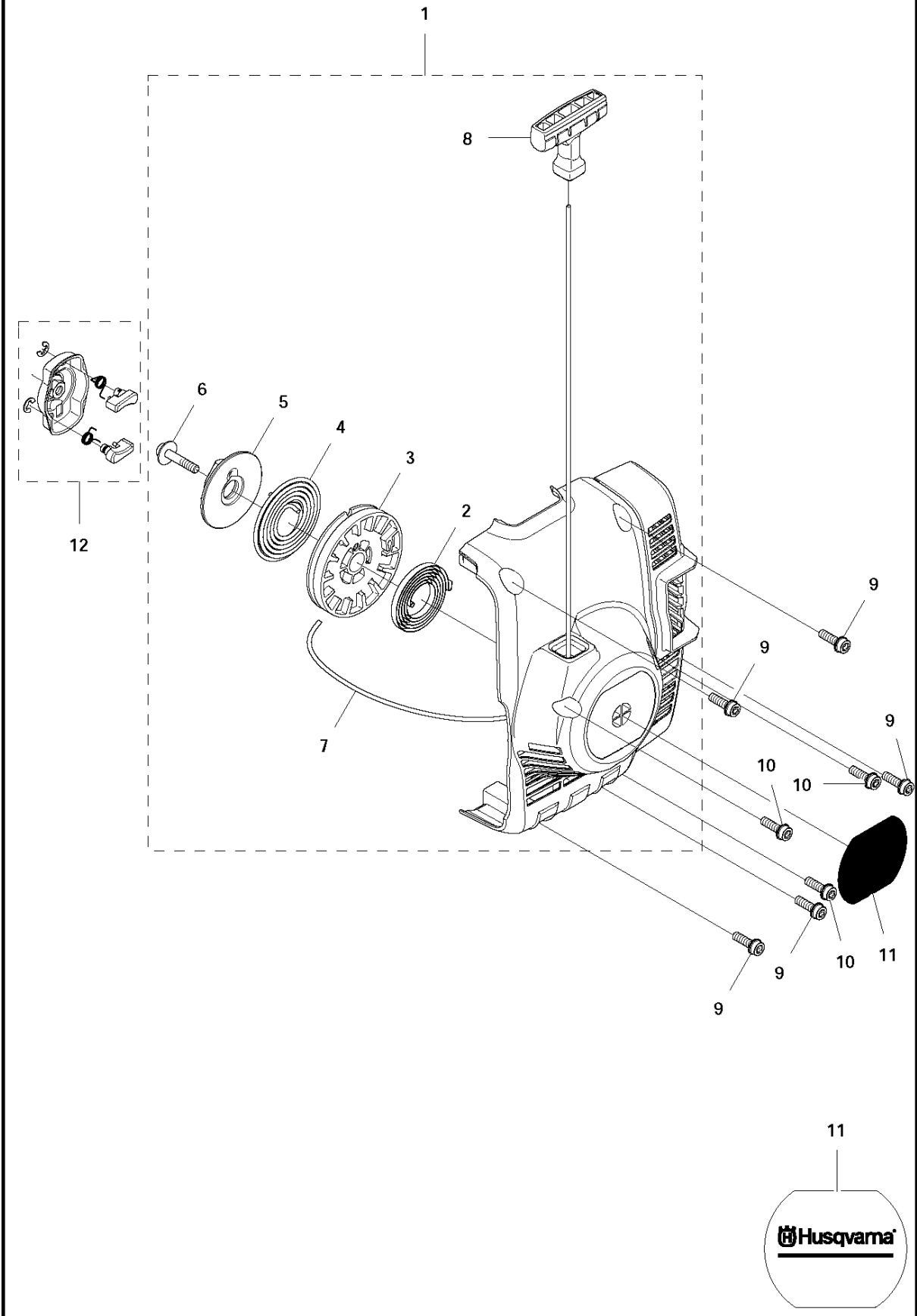


## CARBURETOR &amp; AIR FILTER

122 C 966 77 97-01, 966 71 27-01

Ref	Part No	Description	Remark	QTY KIT
1	576 88 73-01	FILTER HOLDER ASSY		1
2	524 85 37-01	CHOKE BUTTON		1
3	574 24 27-01	AIR FILTER		1
4	524 85 38-01	FILTER COVER		1
5	537 21 32-09	KNOB		1
6	573 92 58-01	SCREW ITXSCFT		1
7	573 92 58-02	SCREW ITXSCFT		2
8	581 73 43-01	CARBURETTOR		1
9	522 91 12-01	INSULATION WALL		1
10	522 91 85-01	GASKET		1
11	525 76 09-04	SCREW ITXSCM		4
12	525 54 85-01	GASKET		1
13	588 98 60-01	CARBURETTOR KIT		1

**G** 122C  
STARTER



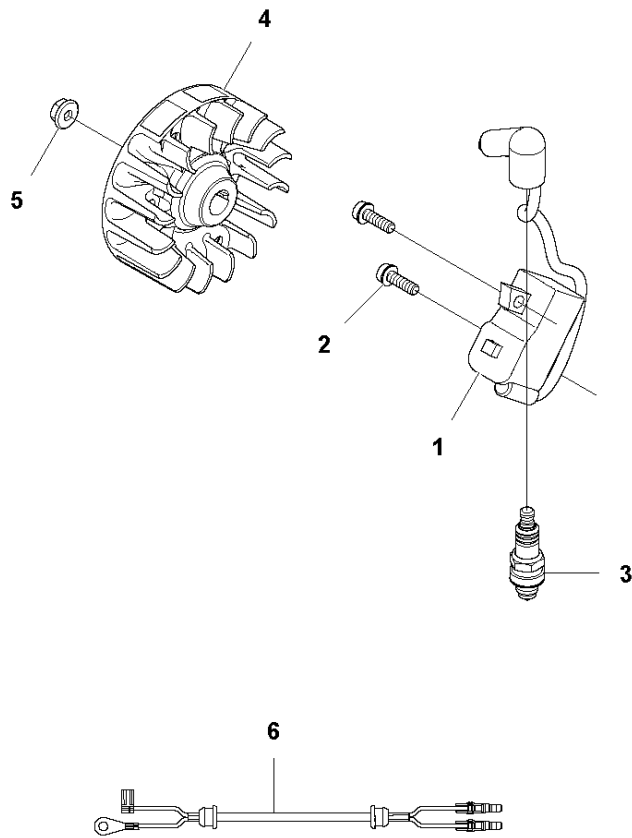


## STARTER

122 C 966 77 97-01, 966 71 27-01

Ref	Part No	Description	Remark	QTY	KIT
1	574 48 74-01	STARTER ASSY		1	
2	525 83 83-01	SPRING		1	1
3	525 59 38-01	STARTER PULLEY		1	1
4	525 59 40-01	SPRING		1	1
5	525 59 39-01	DRIVER		1	1
6	577 22 61-03	SCREW ITXSCT		1	1
7	574 28 69-01	STARTER CORD		1	1
8	574 26 87-01	STARTER HANDLE		1	1
9	573 92 58-01	SCREW ITXSCT		5	
10	525 75 51-01	SCREW ITXSCTFM		3	
11	575 35 41-01	DECAL		1	
12	503 87 33-05	STARTER PAWL		1	

**H** 122C  
IGNITION SYSTEM

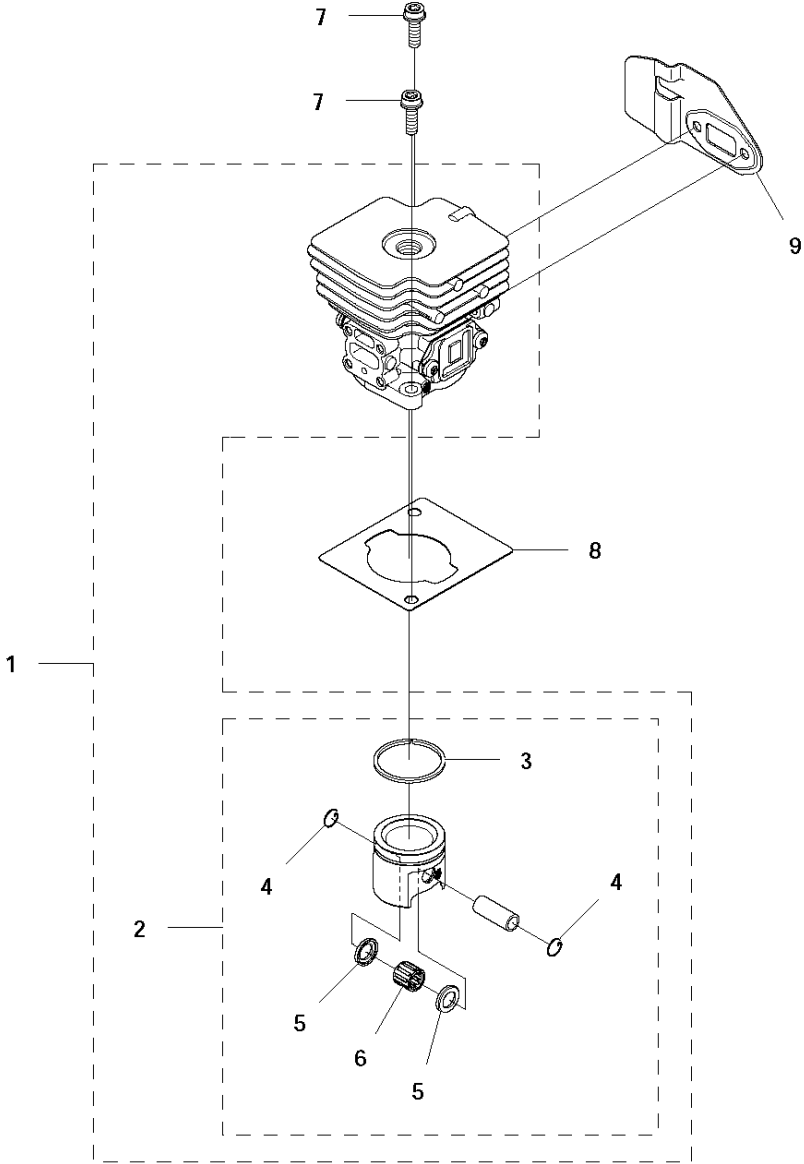


## IGNITION SYSTEM

122 C 966 77 97-01, 966 71 27-01

Ref	Part No	Description	Remark	QTY KIT
1	585 07 41-02	IGNITION SYSTEM		1
2	525 75 51-01	SCREW ITXSCFM		2
3	590 71 02-01	SPARK PLUG		1
4	537 24 96-02	FLYWHEEL		1
5	731 71 16-51	HEXAGON NUT FLANGE		1
6	574 48 89-01	SHORT CIRCUIT CABLE		1

**J** 122C  
CYLINDER & PISTON

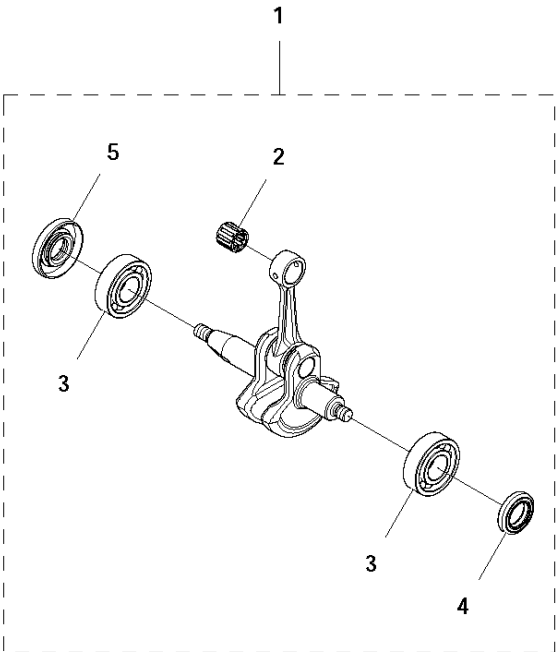


## CYLINDER PISTON

122 C 966 77 97-01, 966 71 27-01

Ref	Part No	Description	Remark	QTY KIT	
1	577 38 03-01	CYLINDER			
2	510 22 36-02	PISTON ASSY		1	1
3	505 15 58-01	PISTON RING		1	1,2
4	737 44 08-00	CIRCLIP		2	1,2
5	525 57 77-01	WASHER		2	1,2
6	575 50 49-01	NEEDLE BEARING		1	1,2
7	525 75 51-02	SCREW ITXSCFM		2	
8	522 91 84-01	GASKET		1	
9	522 99 74-01	AIR CONDUCTOR		1	

**K** 122C  
CRANK SHAFT

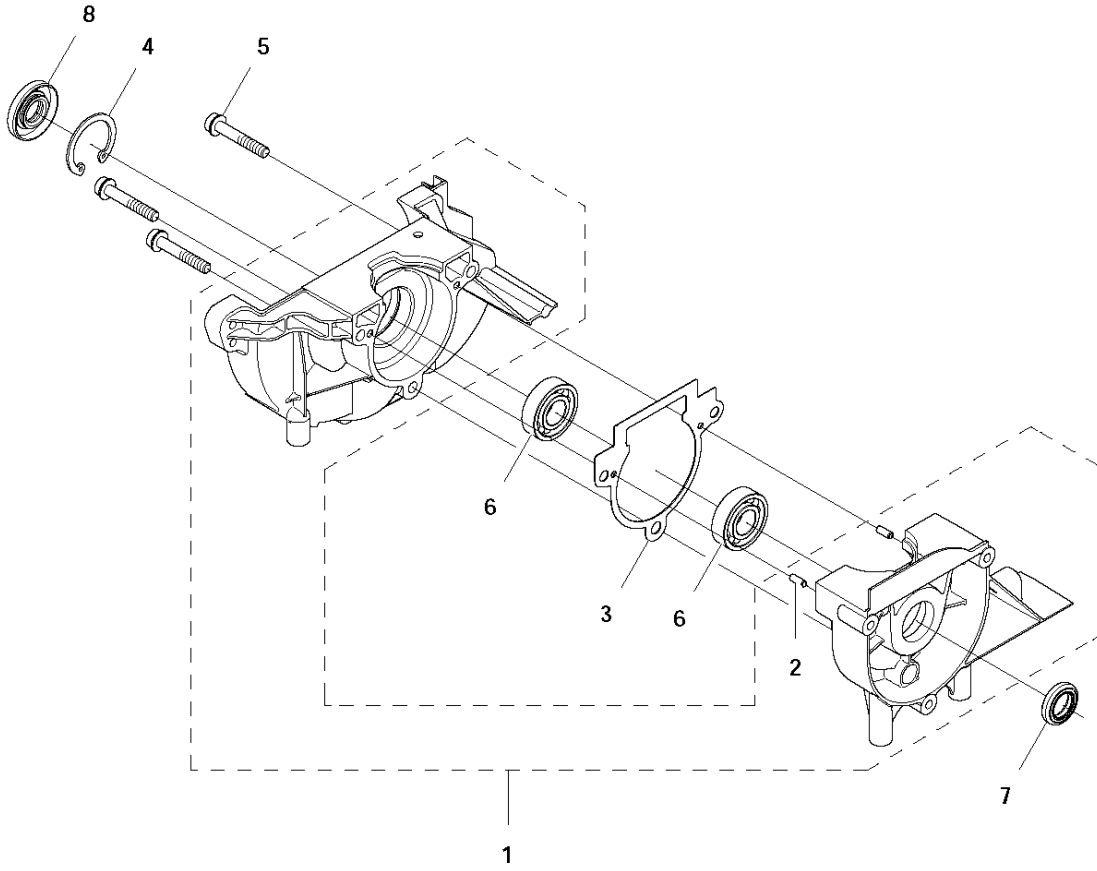


CRANKSHAFT

122 C 966 77 97-01, 966 71 27-01

Ref	Part No	Description	Remark	QTY KIT	
1	577 38 05-01	CRANKSHAFT		1	
2	575 50 49-01	NEEDLE BEARING		1	1
3	738 21 01-10	BALL BEARING		2	1
4	503 26 02-02	SEALING RING		1	1
5	574 48 20-01	RADIAL SEAL		1	1

**L** 122C  
CRANKCASE



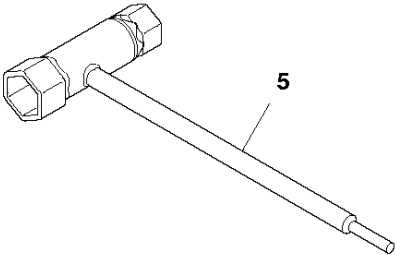
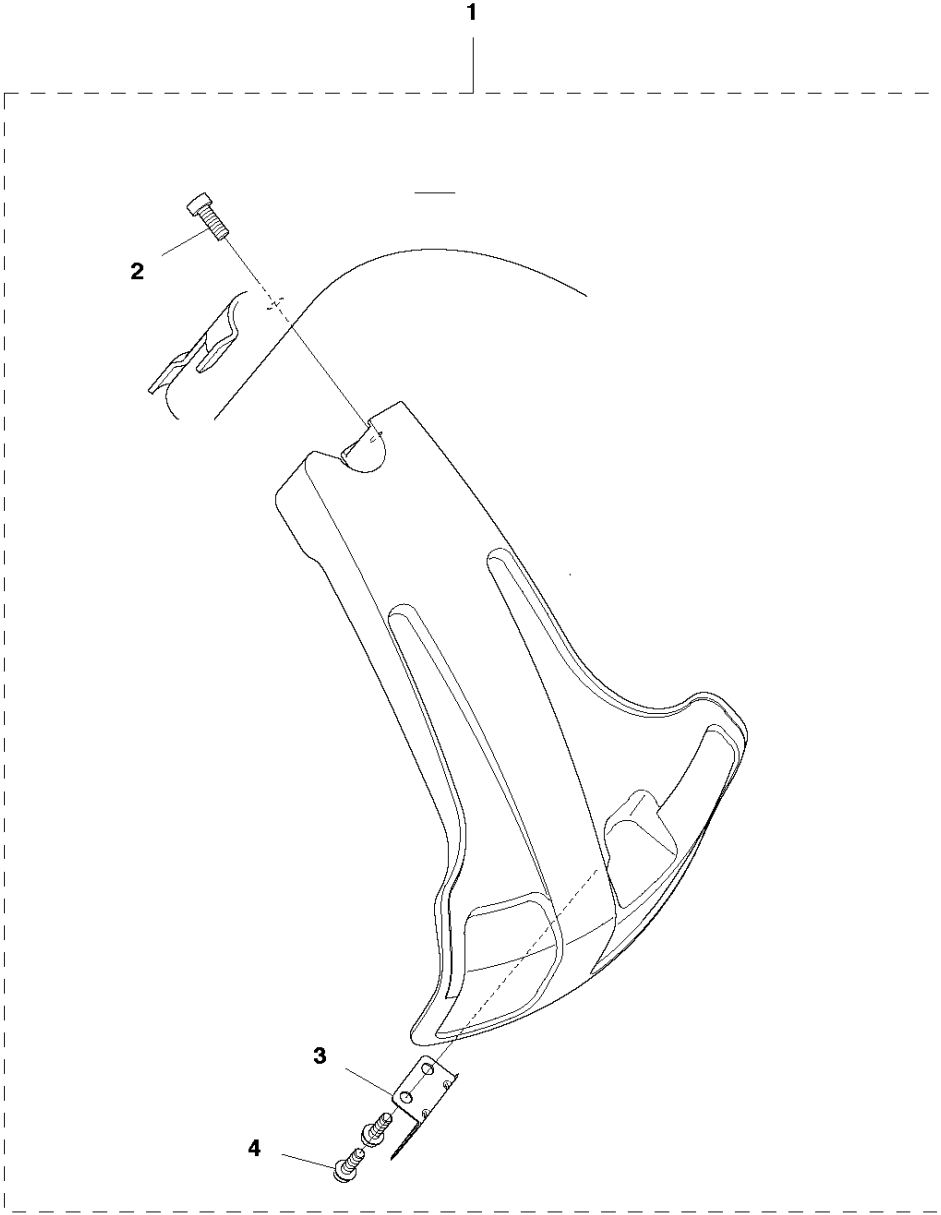


CRANKCASE

122 C 966 77 97-01, 966 71 27-01

Ref	Part No	Description	Remark	QTY	KIT
1	522 87 83-01	CRANKCASE ASSY		1	
2	522 87 84-01	PIN		2	1
3	522 91 83-01	GASKET		1	
4	735 31 28-10	CIRCLIP		1	
5	525 75 51-03	SCREW ITXSCFM		3	
6	738 21 01-10	BALL BEARING		2	
7	503 26 02-02	SEALING RING		1	
8	574 48 20-01	RADIAL SEAL		1	

**M** 122C  
ACCESSORIES



## ACCESSORIES

122 C 966 77 97-01, 966 71 27-01

Ref	Part No	Description	Remark	QTY	KIT
1	574 47 95-01	TRIMMER GUARD		1	
2	522 75 19-01	SCREW ITXSCFM		1	1
3	574 52 34-01	KNIFE		1	1
4	573 92 58-01	SCREW ITXSCFT		2	1
5	575 73 82-01	COMBINATION WRENCH		1	1

# Illustrated Parts List - IPL Update



Product Name(s)

**122C**

Description of change

Increased spark duration time. Better runability and reduced time for the warm-up of engine.

Comments

FULLY INTERCHANGEABLE

Introduced from

<b>Serial number / Date</b>	<b>Remark</b>
2019-11	Ignition module 585 07 41-02

IPL updates

<b>Page title</b>	<b>Ref . no</b>	<b>New part no</b>	<b>Name</b>	<b>Excl. part no.</b>	<b>Remark</b>
IGNITION SYSTEM	1	585074102	Ignition module	585074101	