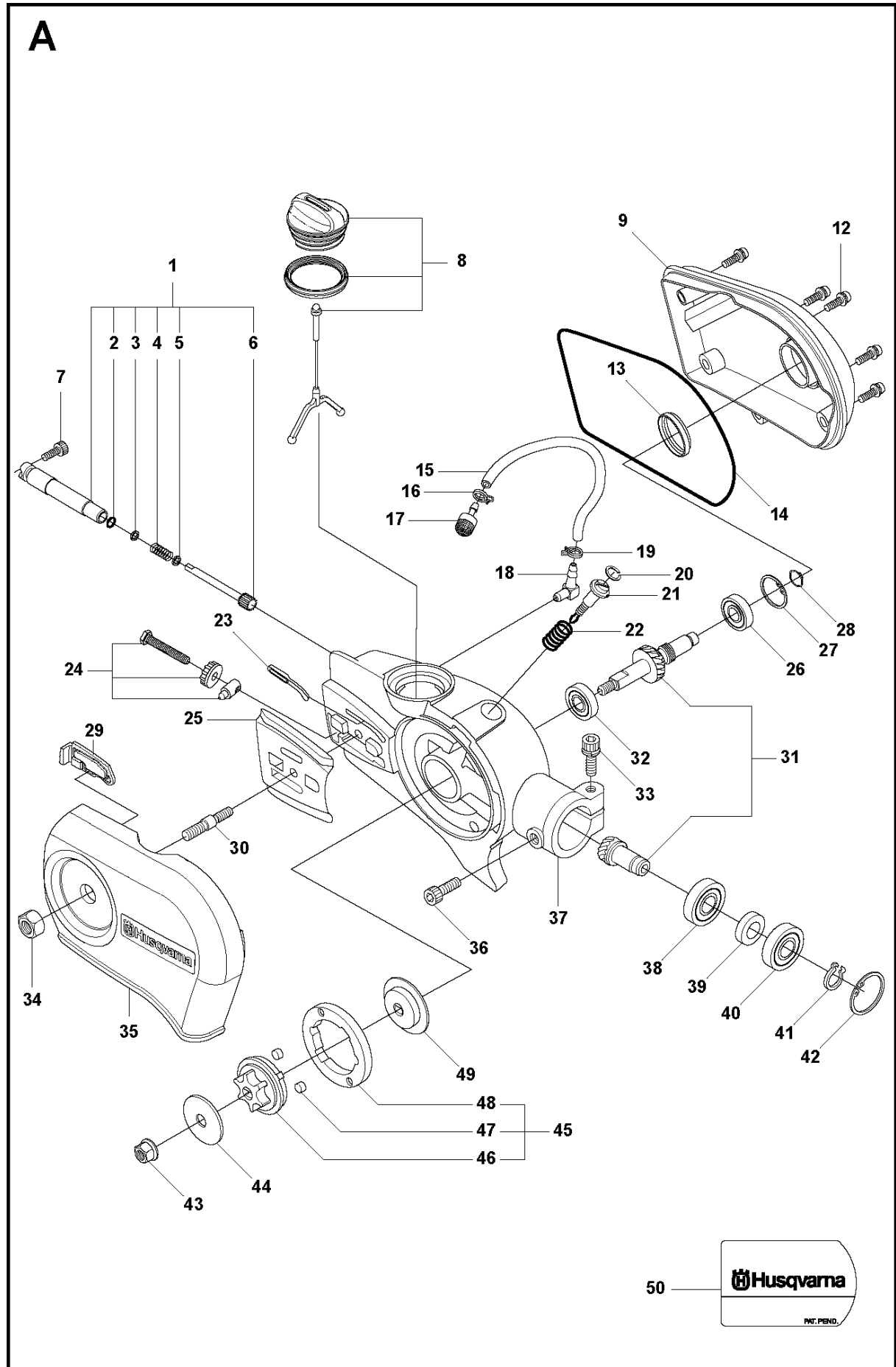




SPARE PARTS LIST

POLE PRUNER/POLE SAWS

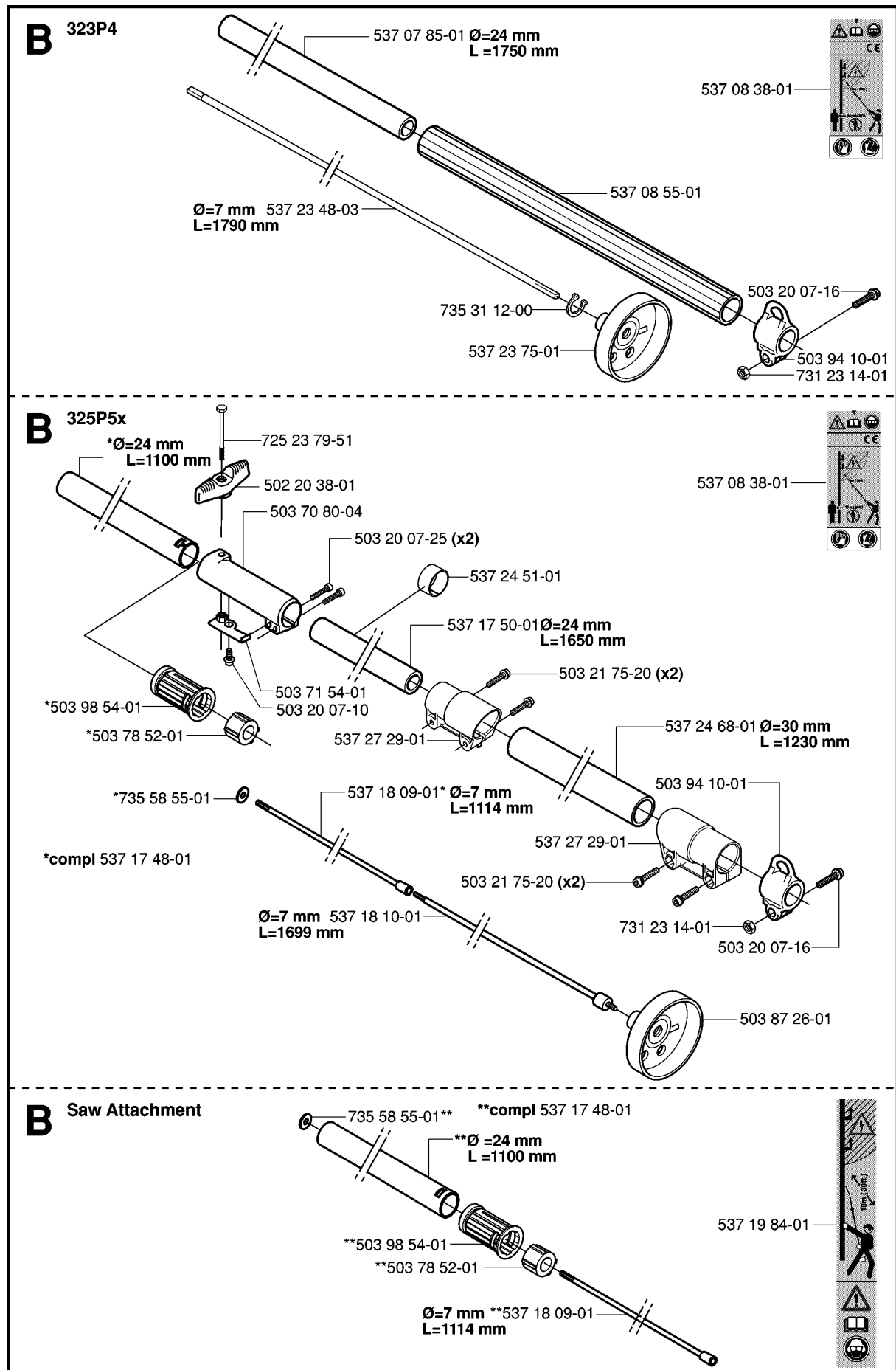
323P4, 20062700001-Current



GEAR HOUSING

323P4, 20062700001-Current

Ref	Part No	Description	Remark	QTY	KIT
1	537 29 92-01	OIL PUMP ASSY		1	
2	740 42 03-00	O-RING		1	1
3	503 23 00-16	WASHER		1	1
4	503 18 49-01	SPRING		1	1
5	503 23 00-16	WASHER		1	1
6	503 80 83-02	PUMP PISTON		1	1
7	725 53 27-55	SCREW IHSCM		1	
8	537 28 15-02	TANK CAP ASSY		1	
9	593 62 04-01	CAP ASSY		1	
12	725 53 29-55	SCREW IHSCM		5	
13	537 33 01-01	SEALING		1	
14	537 29 10-01	O-RING		1	
15	537 29 11-01	HOSE		1	
16	537 37 15-01	HOSE CLAMP		1	
17	504 71 00-03	OIL PLUMMET		1	
18	504 34 00-04	FITTING		1	
19	537 37 15-01	HOSE CLAMP		1	
20	537 29 09-01	CIRCLIP		1	
21	537 05 68-01	ADJUSTER		1	
22	503 97 82-01	SPRING		1	
23	537 33 17-01	OIL DUCT		1	
24	537 22 82-01	CHAIN TENSIONER		1	
25	537 19 42-01	CHAIN GUIDE PLATE		1	
26	738 21 00-04	BALL BEARING		1	
27	735 31 27-10	CIRCLIP		1	
28	735 31 12-00	CIRCLIP		1	
29	537 32 92-01	SEALING		1	
30	537 19 44-01	BAR BOLT		1	
31	537 29 90-01	GEAR WHEEL KIT		1	
32	738 21 99-04	BALL BEARING		1	
33	725 53 33-55	SCREW IHSCM		1	
34	731 23 18-01	HEXAGON NUT		1	
35	537 24 60-01	COVER		1	
36	725 53 27-55	SCREW IHSCM		1	
37	537 22 74-01	HOUSING		1	
38	738 21 99-04	BALL BEARING		1	
39	537 24 77-01	SPACER		1	
40	738 21 99-04	BALL BEARING		1	
41	735 31 11-00	CIRCLIP		1	
42	735 31 25-10	CIRCLIP		1	
43	731 71 16-51	HEXAGON NUT FLANGE		1	
44	503 23 00-68	WASHER		1	
45	537 27 18-01	FLYWHEEL		1	
46	537 27 15-01	HUB		1	45
47	537 27 17-01	BUSHING		2	45
48	537 27 14-01	RING		1	45
49	537 27 16-01	HUB CAP		1	
50	537 23 00-01	LABEL		1	



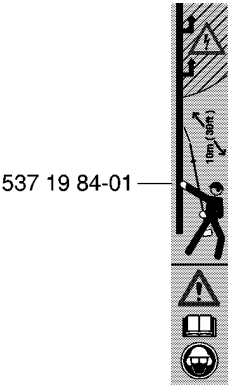
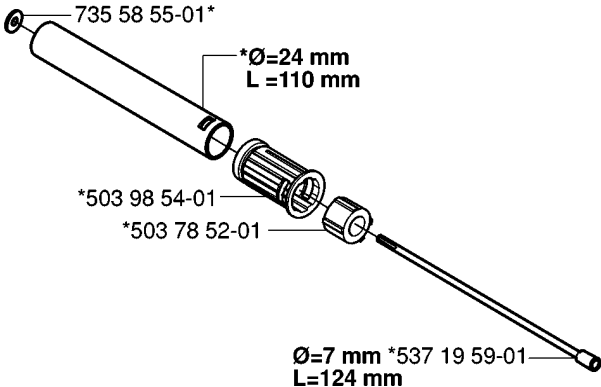
SHAFT

323P4, 20062700001-Current

Part No	Description	Remark	QTY KIT
502 20 38-01	KNOB		1
503 08 38-01	LABEL		1
503 20 07-10	SCREW IHSCFM		1
503 20 07-16	SCREW IHSCFM		1
503 20 07-16	SCREW IHSCFM		1
503 20 07-25	SCREW IHSCFM		2
503 21 75-20	SCREW IHSCFT		2
503 21 75-20	SCREW IHSCFT		2
503 70 80-04	SLEEVE		1
503 71 54-01	LOCKING PLATE		1
503 78 52-01	SUPPORTING BEARING		1
503 78 52-01	SUPPORTING BEARING		1
503 87 26-01	CLUTCH DRUM ASSY		1
503 94 10-01	HOOK		1
503 94 10-01	HOOK		1
503 98 54-01	BEARING CAGE		1
503 98 54-01	BEARING CAGE		1
537 07 85-01	TUBE		1
537 07 87-01	DRIVE SHAFT		1
537 08 38-01	LABEL		1
537 08 55-01	HANDLE		1
537 17 48-01	TUBE		1
537 17 48-01	TUBE		1
537 17 50-01	TUBE		1
537 18 09-01	DRIVE SHAFT		1
537 18 09-01	DRIVE SHAFT		1
537 18 10-01	DRIVE SHAFT		1
537 19 84-01	LABEL		1
537 23 75-01	CLUTCH DRUM ASSY		1
537 24 51-01	SPACER		1
537 24 68-01	PIPE		1
537 27 29-01	COMPRESSION SLEEVE		1
537 27 29-01	COMPRESSION SLEEVE		1
725 23 79-51	SCREW EHHM		1
731 23 14-01	HEXAGON NUT		1
731 23 14-01	HEXAGON NUT		1
735 31 12-00	CIRCLIP		1
735 58 55-01	WASHER		1
735 58 55-01	WASHER		1

B Saw Attachment

*compl 537 19 58-01

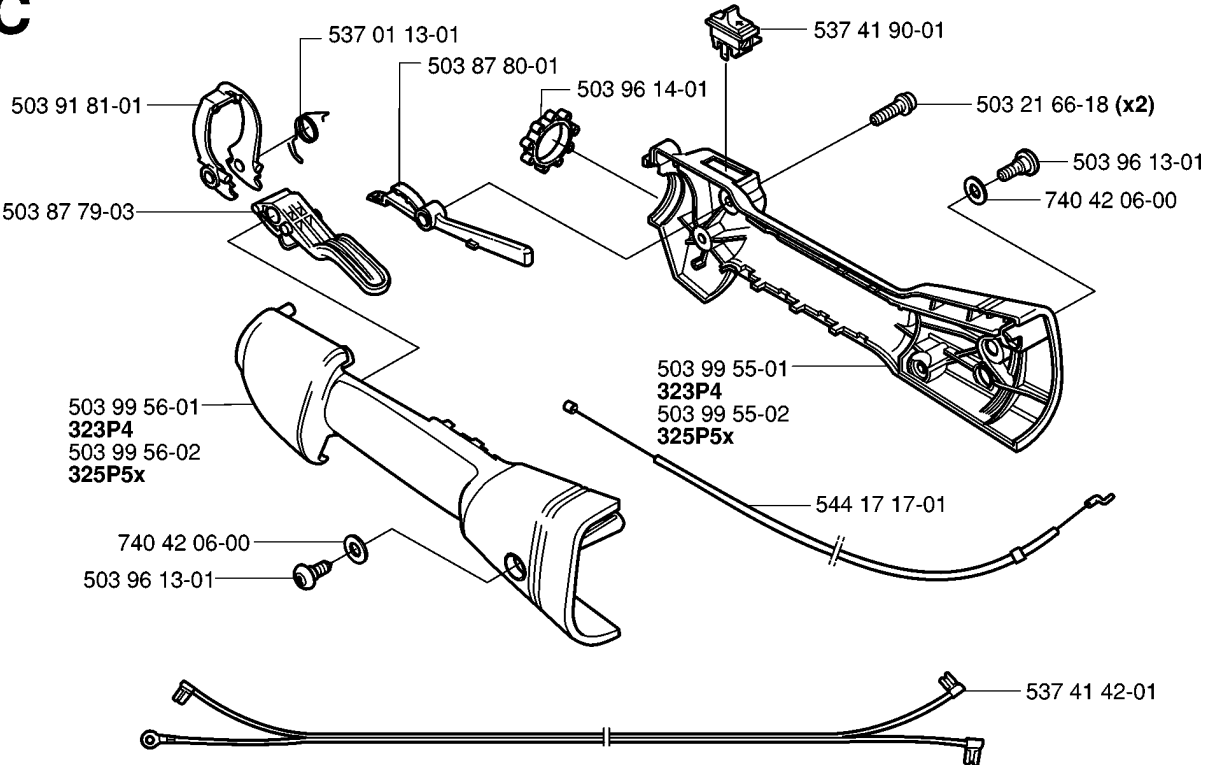


SHAFT

323P4, 20062700001-Current

Part No	Description	Remark	QTY KIT
503 78 52-01	SUPPORTING BEARING		1
503 98 54-01	BEARING CAGE		1
537 19 58-01	TUBE		1
537 19 59-01	DRIVE SHAFT		1
537 19 84-01	LABEL		1
735 58 55-01	WASHER		1

C

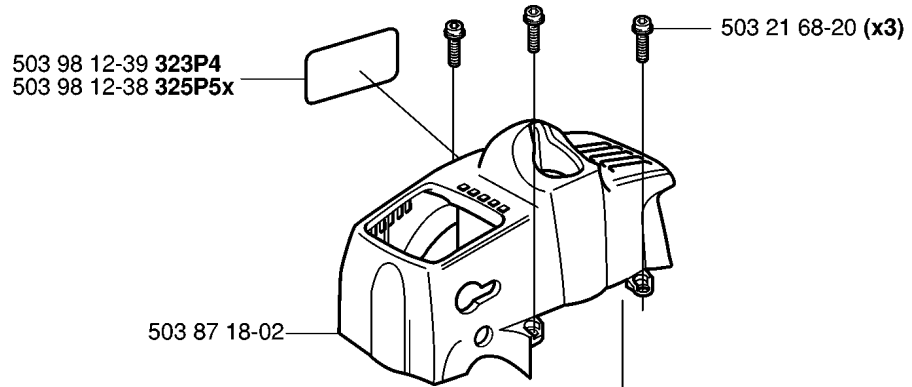


HANDLE & CONTROLS

323P4, 20062700001-Current

Part No	Description	Remark	QTY KIT
503 21 66-18	SCREW IH SCT		2
503 87 79-01	THROTTLE TRIGGER		1
503 87 80-01	THROTTLE LOCKOUT		1
503 91 81-01	THROTTLE LEVER		1
503 96 13-01	SCREW		1
503 96 13-01	SCREW		1
503 96 14-01	ABSORBER		1
503 99 55-01	HANDLE HALF		1
503 99 55-02	HANDLE HALF		1
503 99 56-01	HANDLE HALF		1
503 99 56-02	HANDLE HALF		1
537 01 13-01	RECOIL SPRING		1
537 41 42-01	SHORT CIRCUIT CABLE		1
537 41 90-01	SWITCH		1
544 17 17-01	THROTTLE CABLE ASSY		1
740 42 06-00	O-RING		1
740 42 06-00	O-RING		1

D



503 98 12-38 **325P5x**

503 98 12-39 **323P4**

503 21 68-20 (x3)

503 87 18-02

537 32 08-01

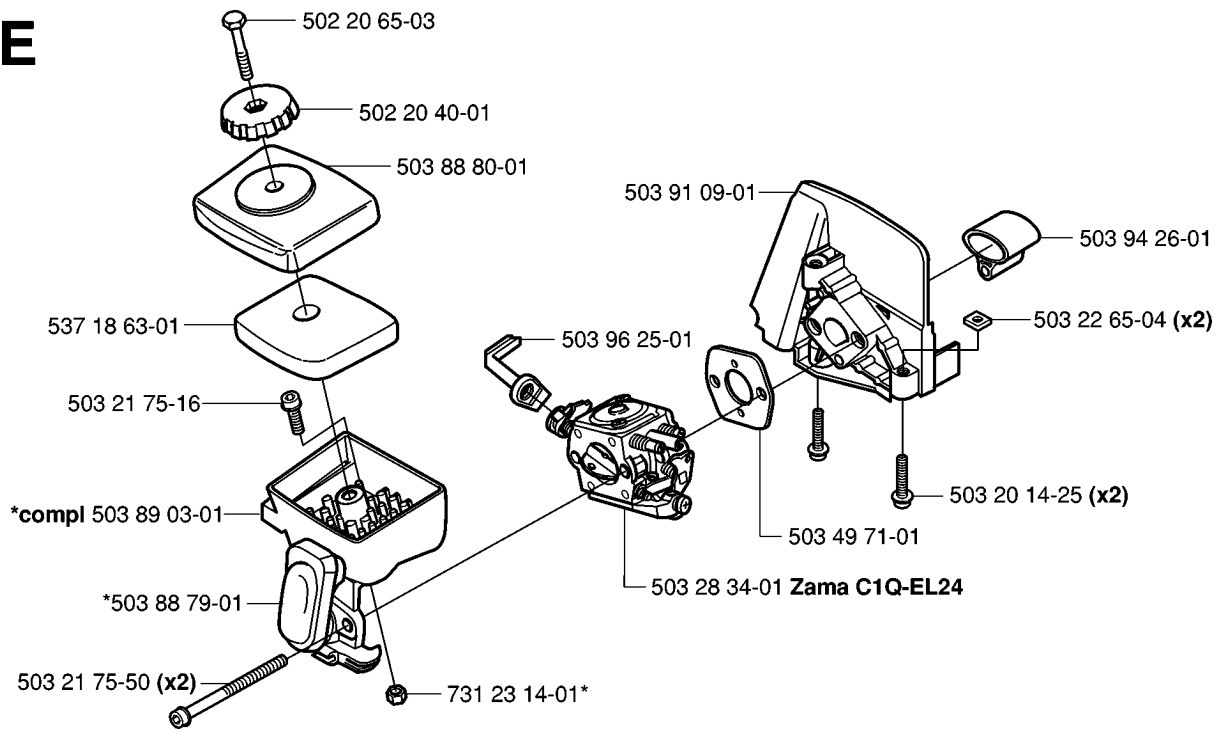
503 21 68-20

COVER

323P4, 20062700001-Current

Part No	Description	Remark	QTY KIT
503 21 68-20	SCREW IHSCFT		3
503 21 68-20	SCREW IHSCFT		1
503 87 18-01	CYLINDER COVER		1
503 98 12-38	LABEL		1
503 98 12-38	LABEL		1
503 98 12-39	LABEL		1
503 98 12-39	LABEL		1
537 32 08-01	HEAT PROTECTOR		1

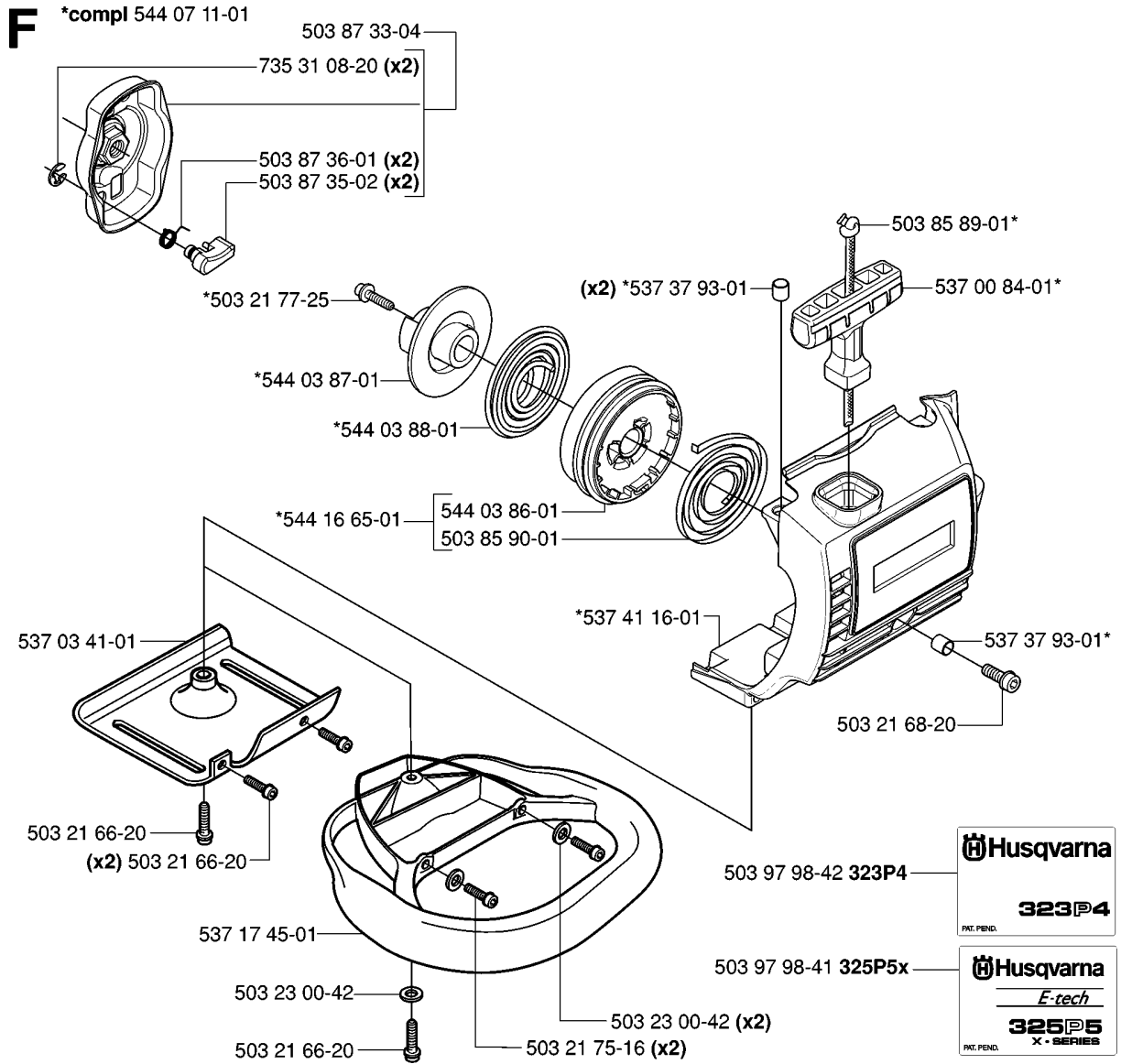
E



CARBURETOR & AIR FILTER

323P4, 20062700001-Current

Part No	Description	Remark	QTY KIT
502 20 40-01	KNOB		1
502 20 65-03	SCREW EHHM		1
503 20 14-25	SCREW IHSCFMO		2
503 21 75-16	SCREW IHSCFT		1
503 21 75-50	SCREW IHSCFT		2
503 22 65-04	SQUARE NUT		2
503 28 34-01	CARBURETTOR		1
503 49 71-01	GASKET		1
503 88 79-01	HUB CAP		1
503 88 80-01	FILTER COVER		1
503 89 03-01	FILTER HOLDER		1
503 91 09-01	INSULATION WALL		1
503 94 26-01	INLET PIPE		1
503 96 25-01	CHOKE CONTROL		1
537 18 63-01	AIR FILTER		1
731 23 14-01	HEXAGON NUT		1

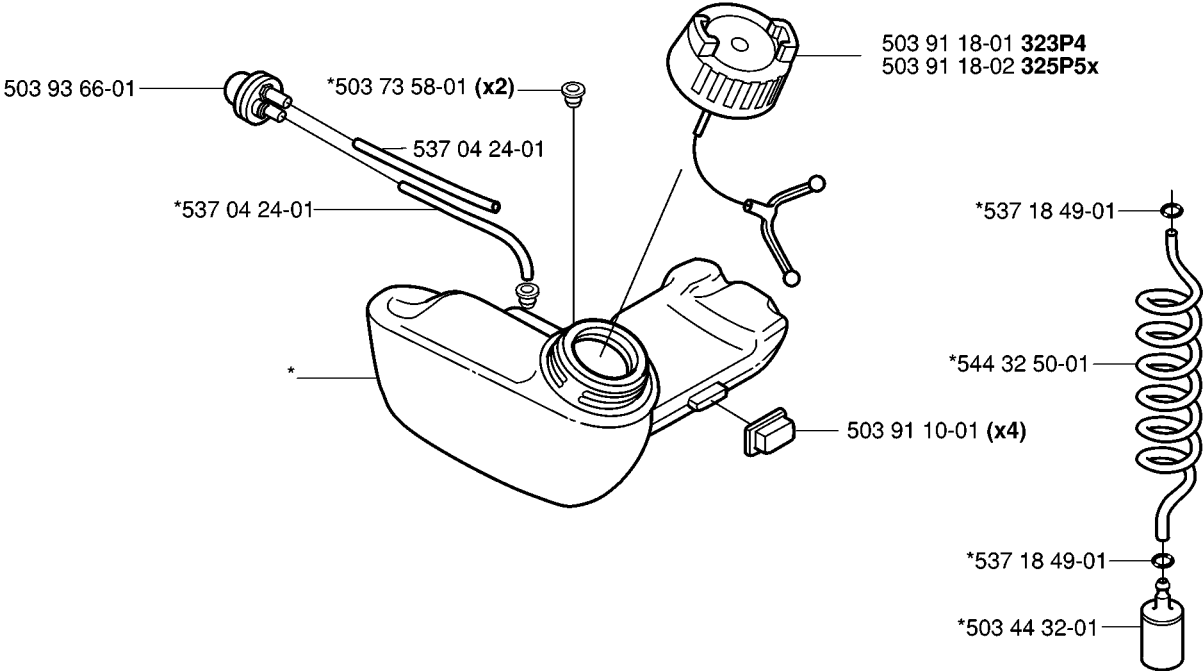


STARTER

323P4, 20062700001-Current

Part No	Description	Remark	QTY KIT
503 21 66-20	SCREW IHSCCT		1
503 21 66-20	SCREW IHSCCT		1
503 21 66-20	SCREW IHSCCT		2
503 21 68-20	SCREW IHSCFT		1
503 21 75-16	SCREW IHSCFT		2
503 21 77-25	SCREW IHSCCT		1
503 23 00-42	WASHER		1
503 23 00-42	WASHER		2
503 85 89-01	STARTER ROPE		1
503 85 90-01	RECOIL SPRING		1
503 87 33-04	STARTER PAWL BRIDGE		1
503 87 35-02	STARTER PAWL		2
503 87 36-01	SPRING		2
503 97 98-41	DECAL		1
503 97 98-42	DECAL		1
537 00 84-01	STARTER HANDLE		1
537 03 41-01	PROTECTIVE PLATE		1
537 17 45-01	HANDLE		1
537 37 93-01	SPACING SLEEVE		2
537 37 93-01	SPACING SLEEVE		1
537 41 16-01	STARTER HOUSING		1
544 03 86-01	STARTER PULLEY		1
544 03 87-01	DRIVER		1
544 03 88-01	SPRING		1
544 07 11-01	STARTER ASSY		1
544 16 65-01	STARTER PULLEY ASSY		1
735 31 08-20	E-CLIP		1

G *compl 537 06 86-02

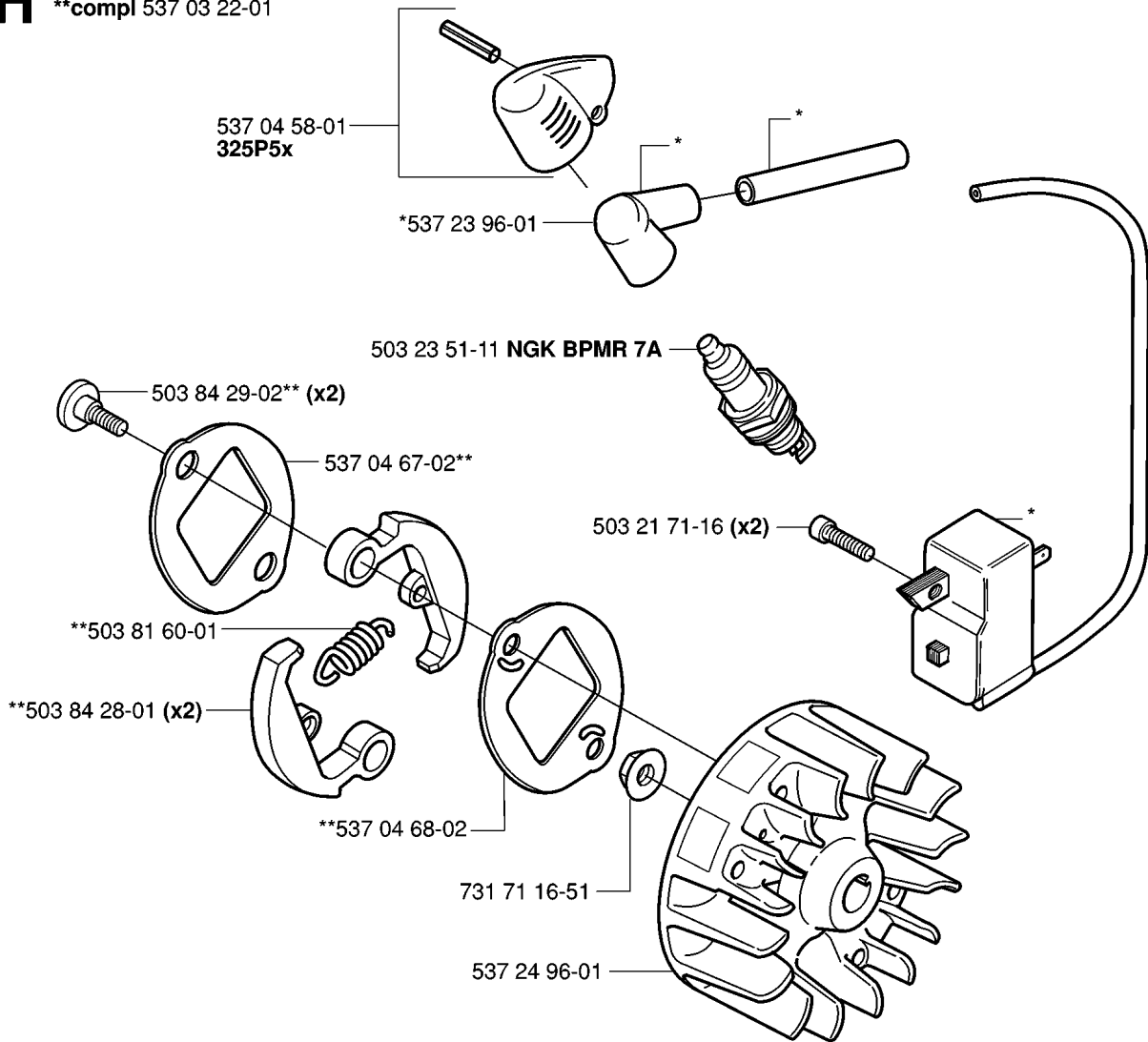


FUEL TANK

323P4, 20062700001-Current

Part No	Description	Remark	QTY KIT
503 44 32-01	FUEL FILTER		1
503 73 58-01	BUSHING		2
503 91 10-01	SUSPENSION		4
503 91 18-01	TANK CAP		1
503 91 18-02	TANK CAP		1
503 93 66-01	PURGE		1
537 04 24-01	FUEL HOSE		1
537 04 24-01	FUEL HOSE		1
537 06 86-02	FUEL TANK		1
537 18 49-01	O-RING		1
537 18 49-01	O-RING		1
544 32 50-01	FUEL HOSE		1

H * compl 537 41 87-01
**compl 537 03 22-01

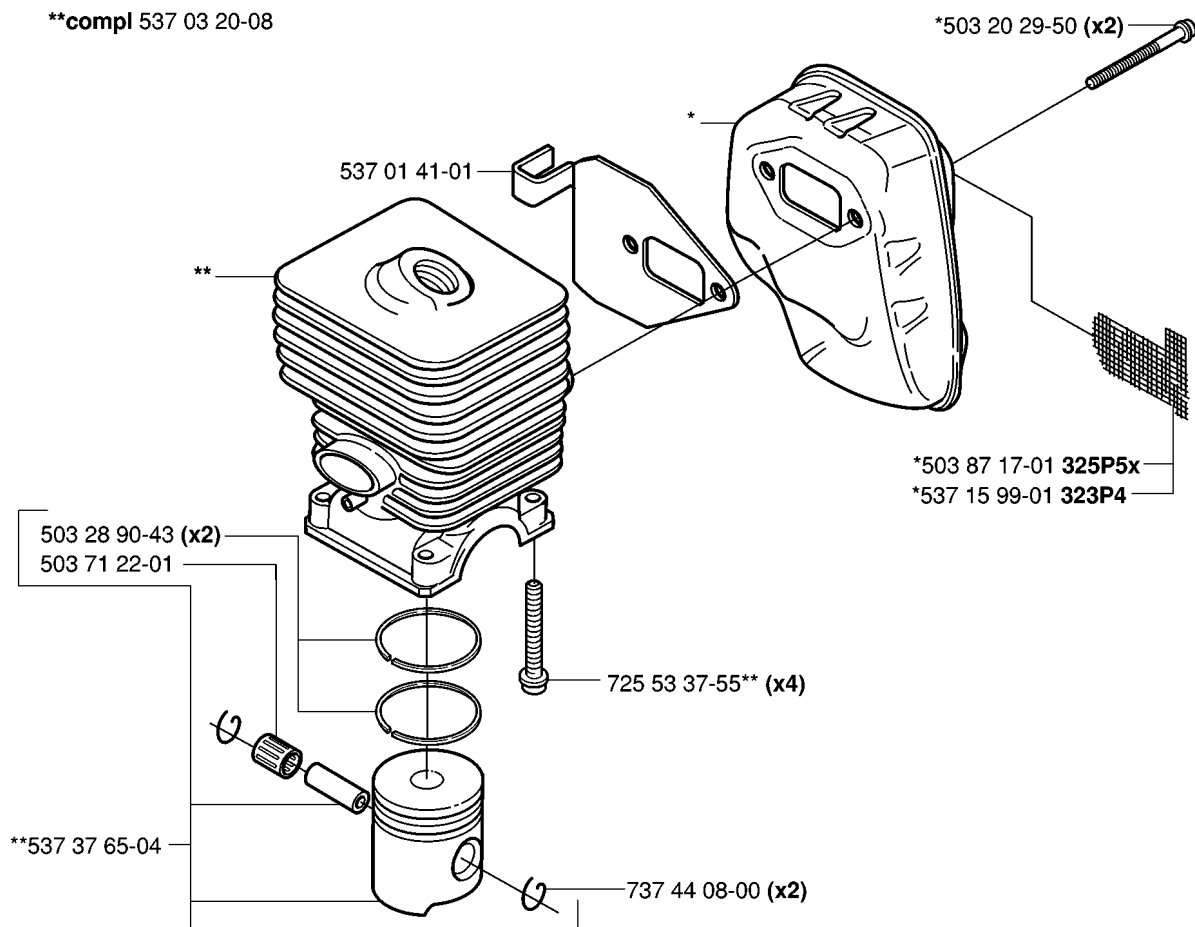


IGNITION SYSTEM & CLUTCH

323P4, 20062700001-Current

Part No	Description	Remark	QTY KIT
503 21 71-16	SCREW IH SCT		2
503 23 51-11	SPARK PLUG		1
503 81 60-01	CLUTCH SPRING		1
503 84 28-01	CLUTCH SHOE		2
503 84 29-02	SCREW		2
537 03 22-01	CLUTCH ASSY		1
537 04 58-01	COVER		1
537 04 67-02	WASHER		1
537 04 68-02	WASHER		1
537 23 96-01	SPARK PLUG CAP		1
537 24 96-01	FLYWHEEL		1
537 41 87-01	IGNITION MODULE		1
731 71 16-51	HEXAGON NUT FLANGE		1

J *compl 537 03 94-01 325P5x
 *compl 537 16 19-01 323P4
 **compl 537 03 20-08



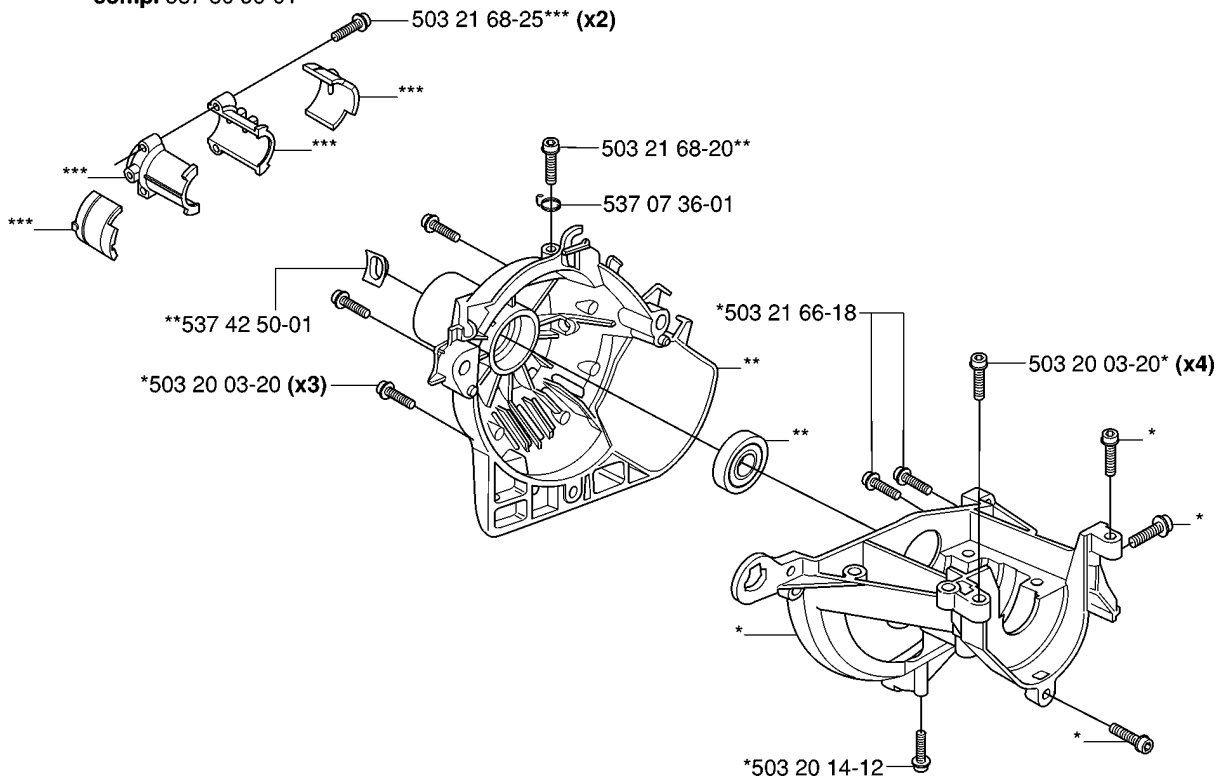
CYLINDER, PISTON & MUFFLER

323P4, 20062700001-Current

Part No	Description	Remark	QTY KIT
503 20 29-50	SCREW IHSCFM		2
503 28 90-41	PISTON RING		2
503 71 22-01	BEARING		1
503 87 17-01	SPARK ARRESTER SCREEN		1
537 01 41-01	GASKET		1
537 03 20-08	CYLINDER		1
537 03 94-01	MUFFLER ASSY		1
537 15 99-01	SPARK ARRESTER SCREEN		1
537 16 19-01	MUFFLER ASSY		1
537 37 65-04	PISTON		1
725 53 37-55	SCREW IHSCM		4
737 44 08-00	CIRCLIP		2

K

*compl 537 04 11-02
**compl 537 04 12-05
***compl 537 30 96-01



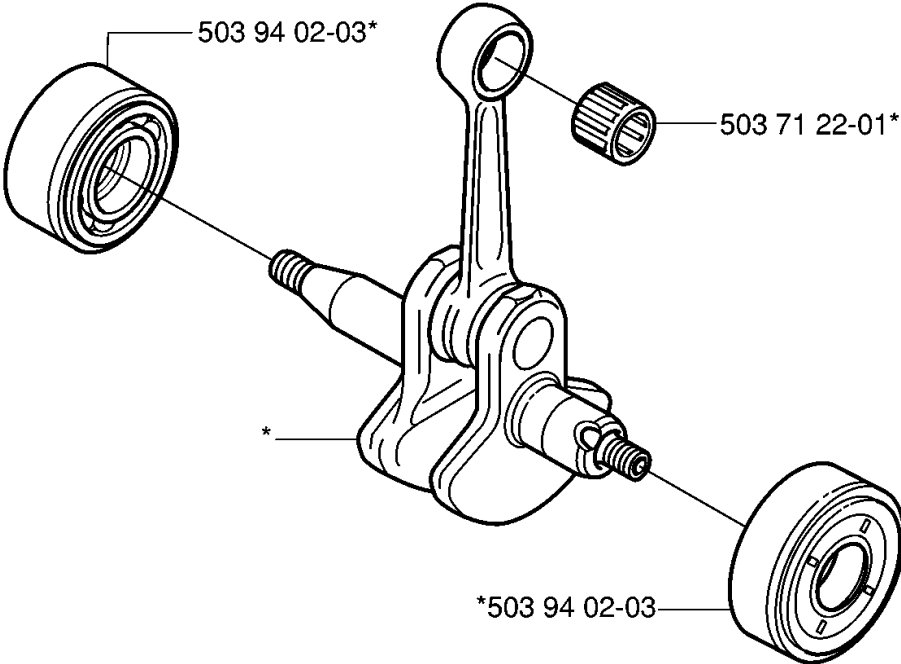
CLUTCH COVER

323P4, 20062700001-Current

Part No	Description	Remark	QTY KIT
503 20 03-20	SCREW IHSCFM		3
503 20 03-20	SCREW IHSCFM		4
503 20 14-12	SCREW IHSCFMO		1
503 21 66-18	SCREW IH SCT		1
503 21 68-20	SCREW IHSCFT		1
503 21 68-25	SCREW IHSCFT		2
537 04 11-02	CRANKCASE		1
537 04 12-05	CLUTCH COVER		1
537 07 36-01	SPRING		1
537 30 96-01	SLEEVE		1
537 42 50-01	PROTECTIVE PLATE		1



*compl 503 85 24-74



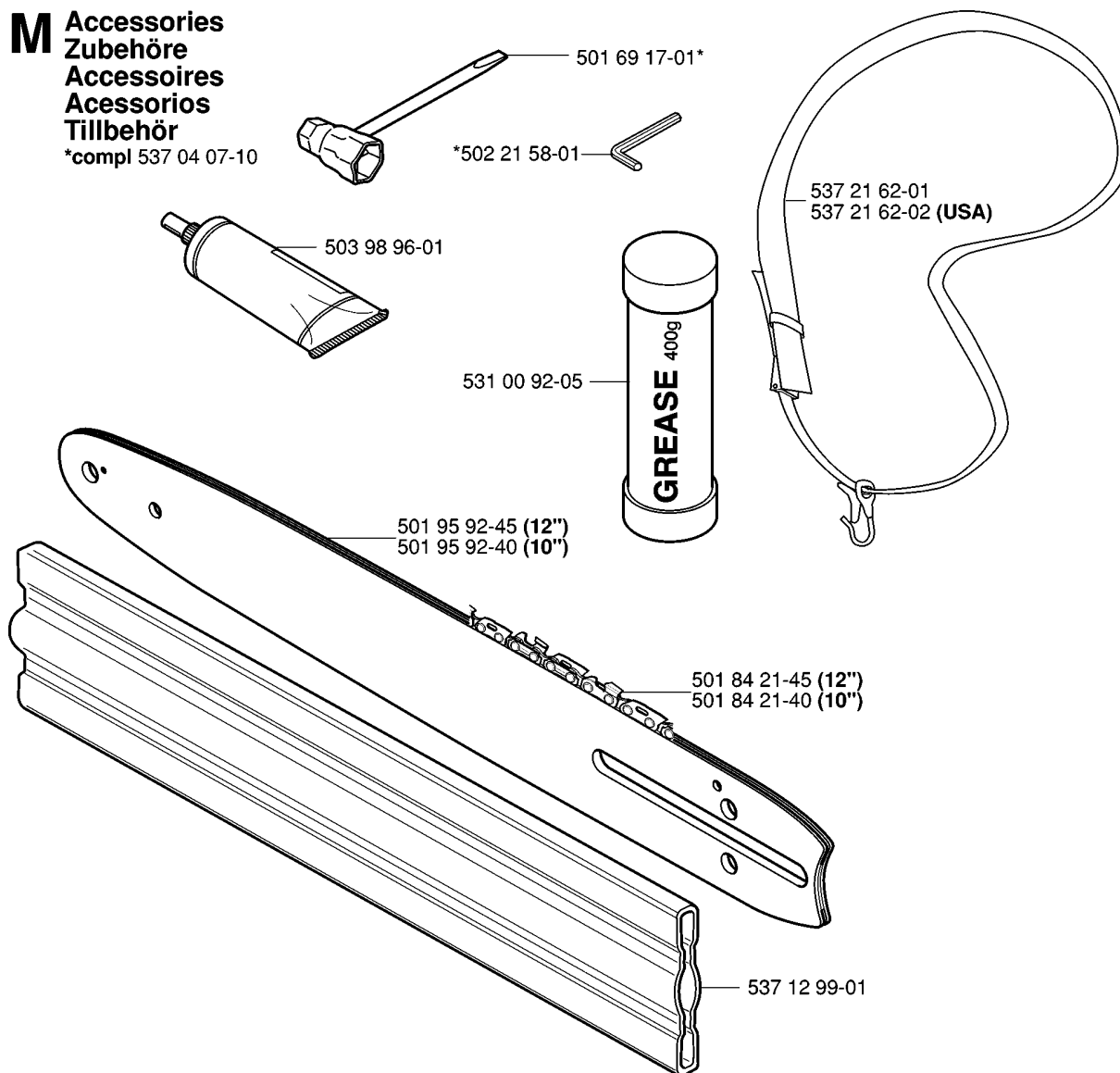
CRANKSHAFT

323P4, 20062700001-Current

Part No	Description	Remark	QTY KIT
503 71 22-01	BEARING		1
503 85 24-74	CRANKSHAFT ASSY		1
503 94 02-03	BEARING CAGE		1
503 94 02-03	BEARING CAGE		1

M Accessories
 Zubehöre
 Accessoires
 Accesorios
 Tillbehör

*compl 537 04 07-10



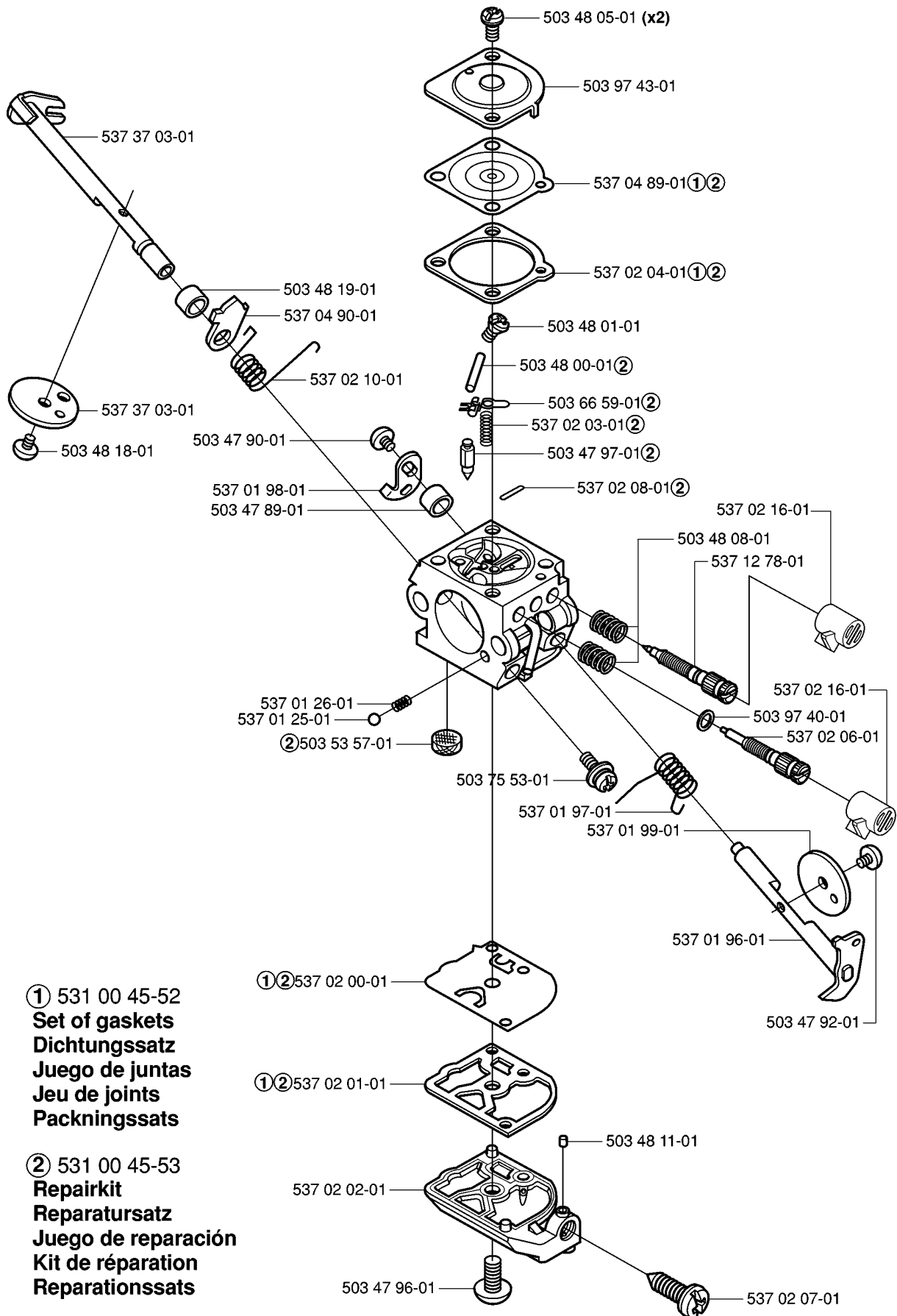
ACCESSORIES

323P4, 20062700001-Current

Part No	Description	Remark	QTY KIT
501 69 17-01	COMBINATION WRENCH		1
501 84 21-40	SAW CHAIN		1
501 84 21-45	SAW CHAIN		1
501 95 92-40	BAR		1
501 95 92-45	BAR		1
502 21 58-01	WRENCH		1
503 98 96-01	GREASE		1
531 00 92-05	GREASE		1
537 04 07-10	ACCESSORY BAG		1
537 12 99-01	BAR COVER		1
537 21 62-01	HARNESS		1
537 21 62-02	HARNESS		1

N compl 503 28 34-01 Zama C1Q-EL24

Zama C1Q-EL24



① 531 00 45-52
Set of gaskets
Dichtungssatz
Juego de juntas
Jeu de joints
Packningssats

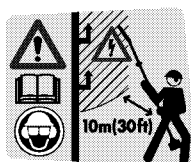
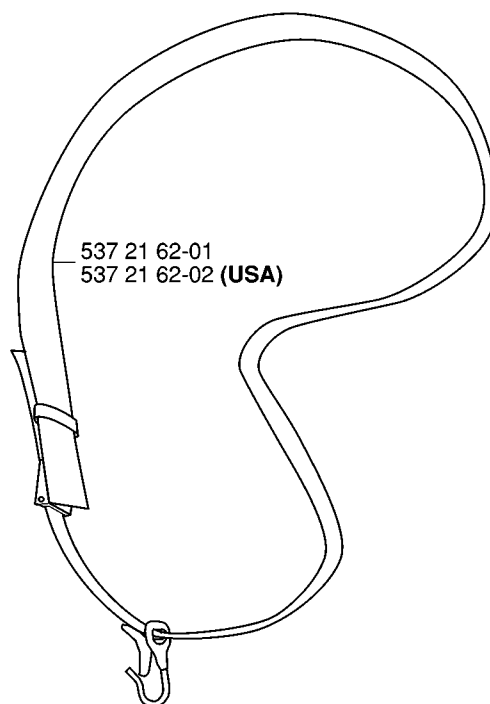
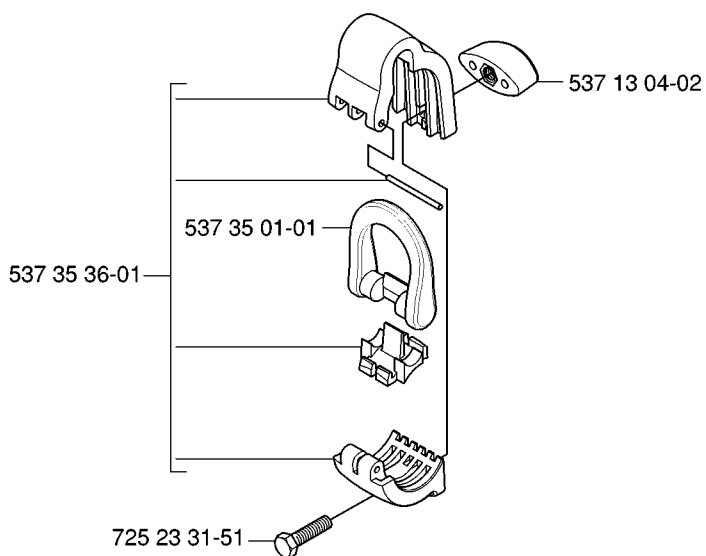
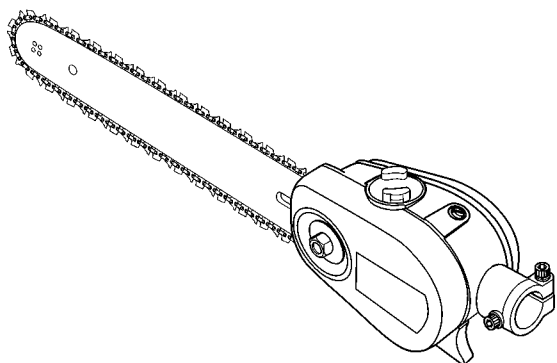
② 531 00 45-53
Repairkit
Reparatursatz
Juego de reparación
Kit de réparation
Reparationssats

CARBURETOR

323P4, 20062700001-Current

Part No	Description	Remark	QTY KIT
503 28 34-01	CARBURETTOR		1
503 47 89-01	COLLAR		1
503 47 90-01	SCREW		1
503 47 92-01	SCREW		1
503 47 96-01	SCREW		1
503 47 97-01	VALVE		1
503 48 00-01	PIN RETAINING SCREW		1
503 48 01-01	SCREW		1
503 48 05-01	SCREW		2
503 48 08-01	SPRING		1
503 48 11-01	PIECE		1
503 48 18-01	SCREW		1
503 48 19-01	COLLAR		1
503 53 57-01	STRAINER		1
503 66 59-01	LEVER		1
503 75 53-01	SCREW		1
503 97 40-01	WASHER		1
503 97 40-01	WASHER		1
503 97 43-01	COVER		1
537 01 25-01	BALL		1
537 01 26-01	SPRING		1
537 01 96-01	SHAFT ASSY		1
537 01 97-01	SPRING		1
537 01 98-01	LEVER		1
537 01 99-01	VALVE		1
537 02 00-01	DIAPHRAGM PUMP		1
537 02 01-01	GASKET		1
537 02 02-01	COVER		1
537 02 03-01	SPRING		1
537 02 04-01	GASKET		1
537 02 06-01	SCREW		1
537 02 07-01	SCREW		1
537 02 08-01	PLUG		1
537 02 10-01	SPRING		1
537 02 16-01	LIMITER CAP		1
537 04 89-01	DIAPHRAGM		1
537 04 90-01	LEVER		1
537 12 78-01	SCREW		1
537 37 03-01	VALVE		1
537 37 03-01	VALVE		1

P Saw Attachment
compl 537 18 33-11
compl 537 18 33-12 (USA)



537 38 89-01

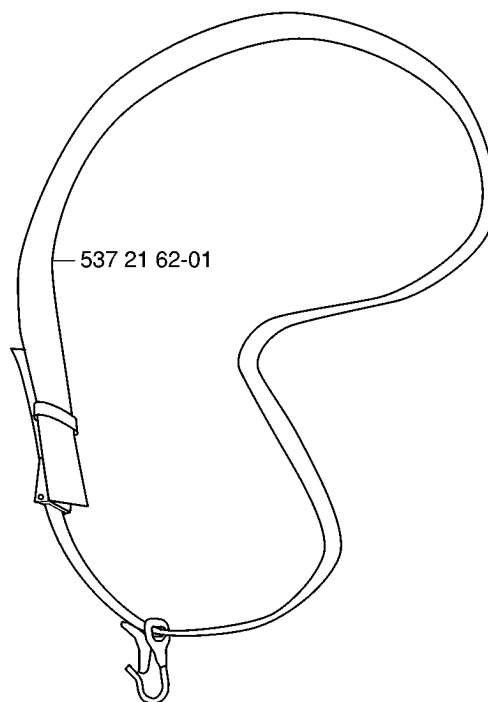
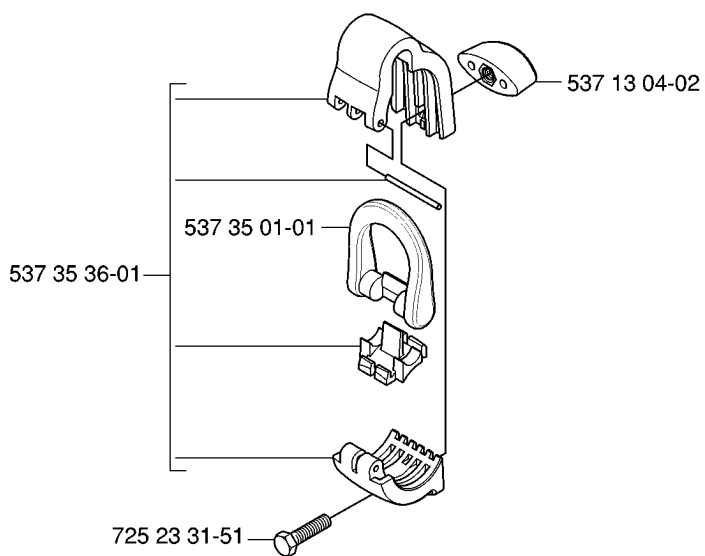
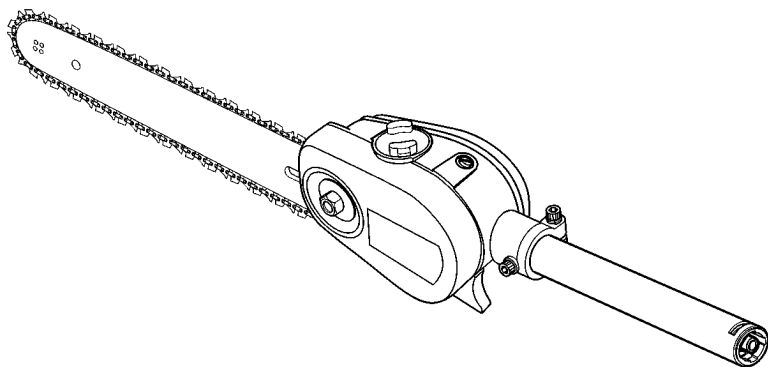
537 21 62-01
537 21 62-02 (USA)

ATTACHMENTS

323P4, 20062700001-Current

Part No	Description	Remark	QTY KIT
537 13 04-02	KNOB		1
537 18 33-11	ATTACHMENT		1
537 18 33-12	ATTACHMENT		1
537 21 62-01	HARNESS		1
537 21 62-02	HARNESS		1
537 35 01-01	LOOP		1
537 35 36-01	LOOP		1
537 38 89-01	LABEL		1
725 23 31-51	SCREW		1

P Saw Attachment L=110mm
compl 537 18 33-13



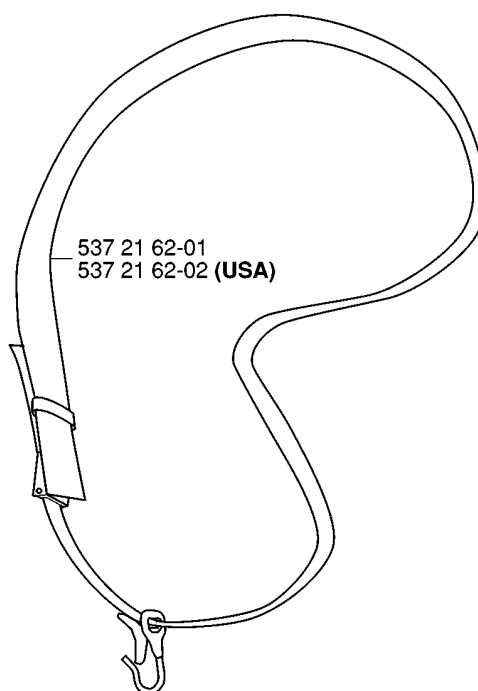
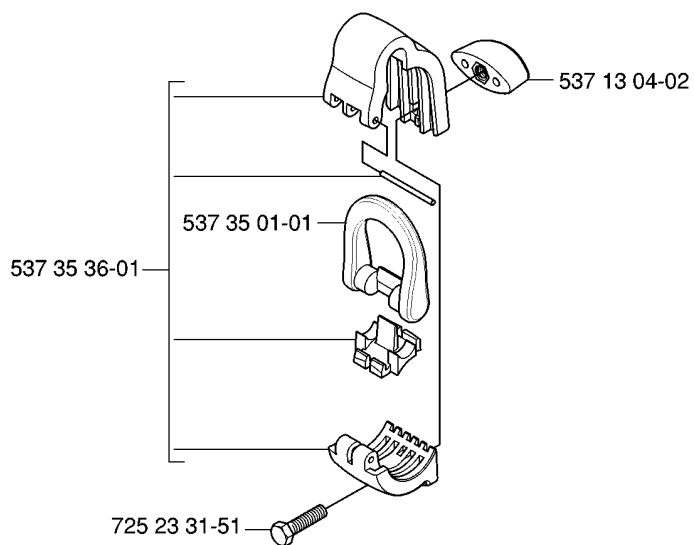
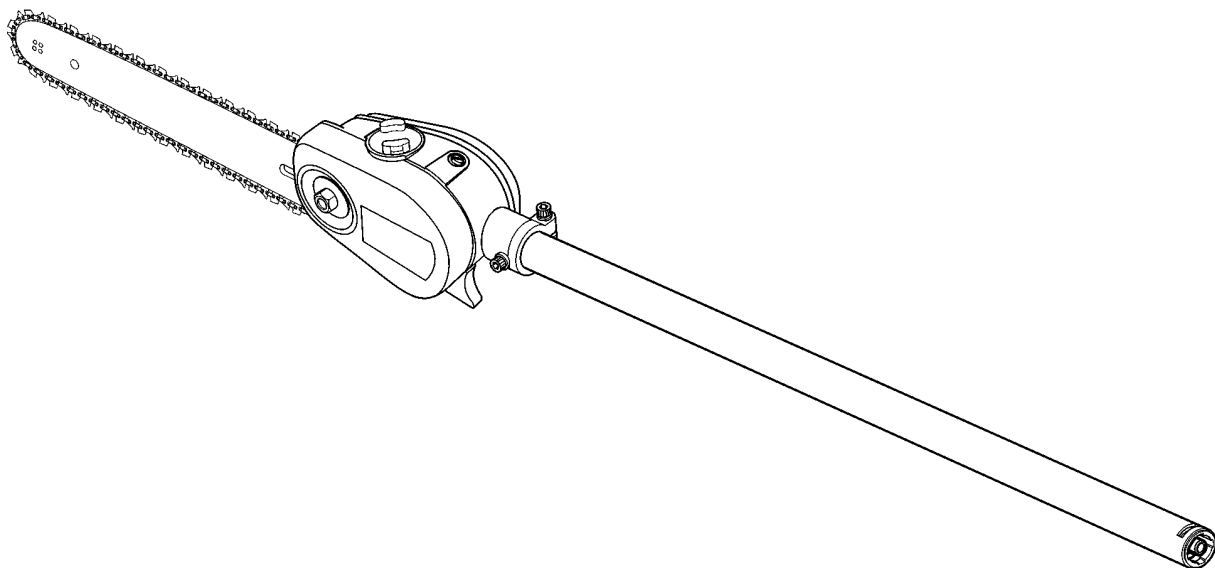
537 38 89-01

ATTACHMENTS

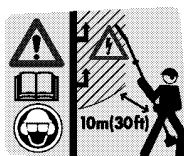
323P4, 20062700001-Current

Part No	Description	Remark	QTY KIT
537 13 04-02	KNOB		1
537 18 33-13	ATTACHMENT		1
537 21 62-01	HARNES		1
537 35 01-01	LOOP		1
537 35 36-01	LOOP		1
537 38 89-01	LABEL		1
725 23 31-51	SCREW		1

P Saw Attachment L=1100mm
compl 537 18 33-16
compl 537 18 33-17 (USA)



537 21 62-01
537 21 62-02 (USA)



537 38 89-01

ATTACHMENTS

323P4, 20062700001-Current

Part No	Description	Remark	QTY KIT
537 13 04-02	KNOB		1
537 18 33-16	ATTACHMENT		1
537 18 33-17	ATTACHMENT		1
537 21 62-01	HARNESS		1
537 21 62-02	HARNESS		1
537 35 01-01	LOOP		1
537 35 36-01	LOOP		1
537 38 89-01	LABEL		1
725 23 31-51	SCREW		1

GEAR HOUSING

323P4, 20062700001-Current

Part No	Description	Remark	QTY KIT
503 18 49-01	SPRING		1
503 23 00-16	WASHER		1
503 23 00-16	WASHER		1
503 23 00-68	WASHER		1
503 80 83-02	PUMP PISTON		1
503 90 39-01	TANK		1
503 97 82-01	SPRING		1
503 98 13-01	PLUG		1
504 34 00-04	FITTING		1
504 71 00-03	OIL PLUMMET		1
537 04 03-01	VALVE		1
537 05 68-01	ADJUSTER		1
537 19 42-01	CHAIN GUIDE PLATE		1
537 19 44-01	BAR BOLT		1
537 22 74-01	HOUSING		1
537 22 75-01	HUB CAP		1
537 22 82-01	CHAIN TENSIONER		1
537 23 00-01	LABEL		1
537 24 60-01	COVER		1
537 24 77-01	SPACER		1
537 27 14-01	RING		1
537 27 15-01	HUB		1
537 27 16-01	HUB CAP		1
537 27 17-01	BUSHING		2
537 27 18-01	FLYWHEEL		1
537 28 15-02	TANK CAP ASSY		1
537 29 09-01	CIRCLIP		1
537 29 10-01	O-RING		1
537 29 11-01	HOSE		1
537 29 90-01	GEAR WHEEL KIT		1
537 29 92-01	OIL PUMP ASSY		1
537 32 92-01	SEALING		1
537 33 01-01	SEALING		1
537 33 17-01	OIL DUCT		1
537 37 15-01	HOSE CLAMP		2
725 53 27-55	SCREW IHSCM		1
725 53 27-55	SCREW IHSCM		1
725 53 29-55	SCREW IHSCM		5
725 53 33-55	SCREW IHSCM		1
731 23 18-01	HEXAGON NUT		1
731 71 16-51	HEXAGON NUT FLANGE		1
735 31 11-00	CIRCLIP		1
735 31 12-00	CIRCLIP		1
735 31 25-10	CIRCLIP		1
735 31 27-10	CIRCLIP		1
738 21 00-04	BALL BEARING		1
738 21 99-04	BALL BEARING		1
738 21 99-04	BALL BEARING		1
738 21 99-04	BALL BEARING		1
740 42 03-00	O-RING		1

Illustrated Parts List - IPL Update



Product Name(s)

323P4, 20062700001-Current

Description of change

Plug, valve and hub cap will not be sold separately, but delivered as an assy, Cap assy.

Comments

Backward compatible

Introduced from

Serial number / Date	Remark
2019-12	

IPL updates

Page title	Ref . no	New part no	Name	Excl. part no.	Remark
SAW HEAD	9	593620401	Cap ASSY	537227501	New assembly. Including valve, plug and hub cap.
SAW HEAD	10	-	Valve	537040301	Included in new Cap ASSY
SAW HEAD	11	-	Plug	503981301	Included in new Cap ASSY
SAW HEAD	9	-	Hub cap	537227501	Included in new Cap ASSY