

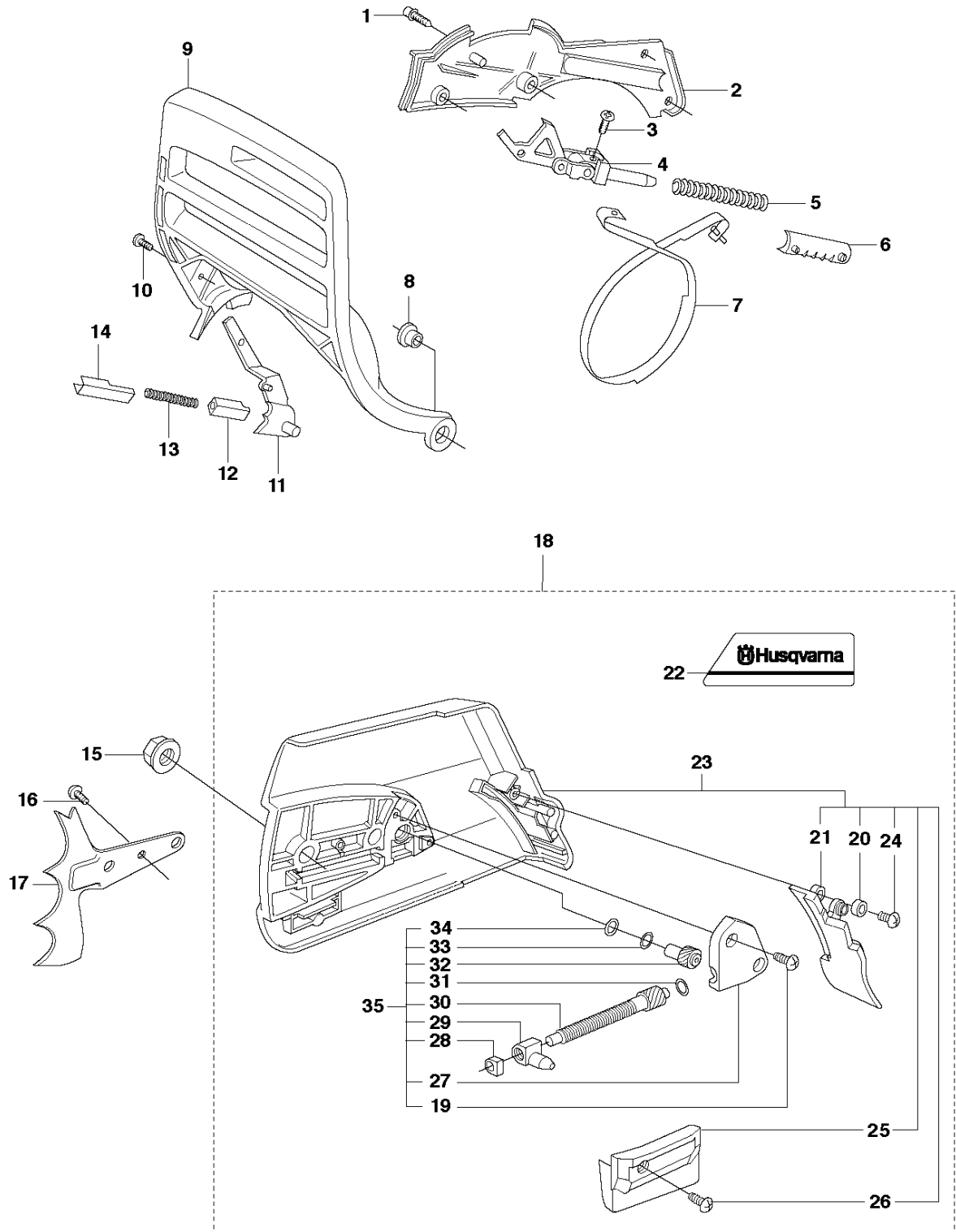


SPARE PARTS LIST

CHAIN SAWS

390XP from 2019-08

A1 390, 390EPA
CHAIN BRAKE & CLUTCH COVER

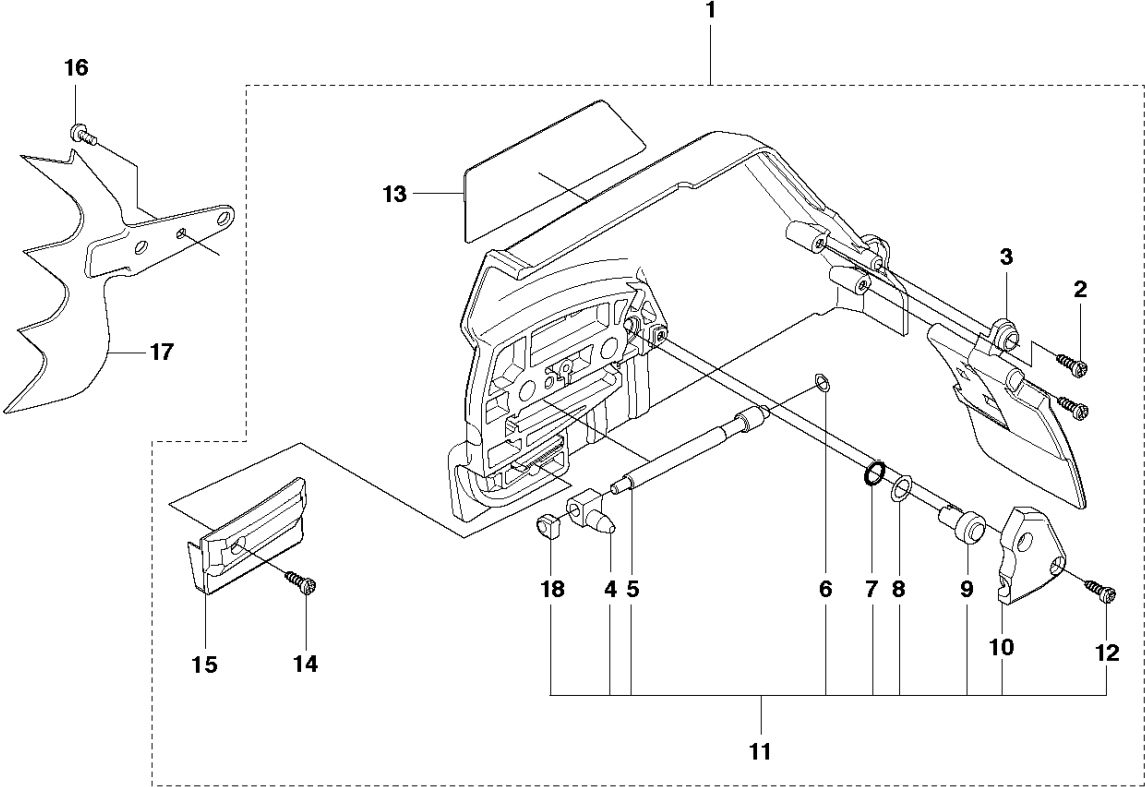


CHAIN BRAKE & CLUTCH COVER

390XP from 2019-08

Ref	Part No	Description	Remark	QTY KIT
1	525 75 52-01	SCREW ITXSCFM		4
2	503 75 11-03	HUB CAP		1
3	525 88 74-02	SCREW CITXPANT		1
4	501 87 53-04	KNEE JOINT		1
5	503 70 99-02	BRAKE SPRING		1
6	503 79 27-01	SUPPORT		1
7	503 75 22-02	BRAKE BAND ASSY		1
8	503 77 52-01	BUSHING		1
9	537 01 69-01	HAND GUARD		1
10	586 43 85-01	SCREW ITXSCM		1
11	537 00 87-02	BRAKE LEVER		1
12	503 83 81-02	LOCK		1
13	503 43 65-01	POSITION SPRING		1
14	537 01 67-01	WEAR PROTECTION		1
15	503 22 00-01	HEXAGON NUT		2
16	525 88 74-02	SCREW CITXPANT		1
17	503 71 97-01	SPIKE		1
18	537 03 35-02	CLUTCH COVER ASSY		1
19	525 88 74-02	SCREW CITXPANT		2 18, 23, 35
20	503 89 70-01	SLEEVE		1 18, 23
21	503 76 29-02	CHIP GUARD		1 18, 23
22	537 03 38-03	LABEL		1 18
23	537 03 35-72	CLUTCH COVER ASSY		1 18
24	525 88 74-02	SCREW CITXPANT		1 18, 23
25	537 04 34-01	CHAIN GUIDE		1 18, 23
26	525 88 74-02	SCREW CITXPANT		1 18, 23
27	537 01 68-01	COVER		1 18, 35
28	537 01 74-01	BEARING SLEEVE		1 18, 35
29	503 99 83-01	PAWL		1 18, 35
30	537 07 95-02	WORM SCREW		1 18, 35
31	503 23 00-66	WASHER		1 18, 35
32	537 07 94-02	WORM WHEEL		1 18, 35
33	503 23 00-63	WASHER		1 18, 35
34	740 48 07-02	O-RING		1 18, 35
35	537 04 41-02	CHAIN TENSIONER		1 18

A2 390, 390EPA
CHAIN BRAKE

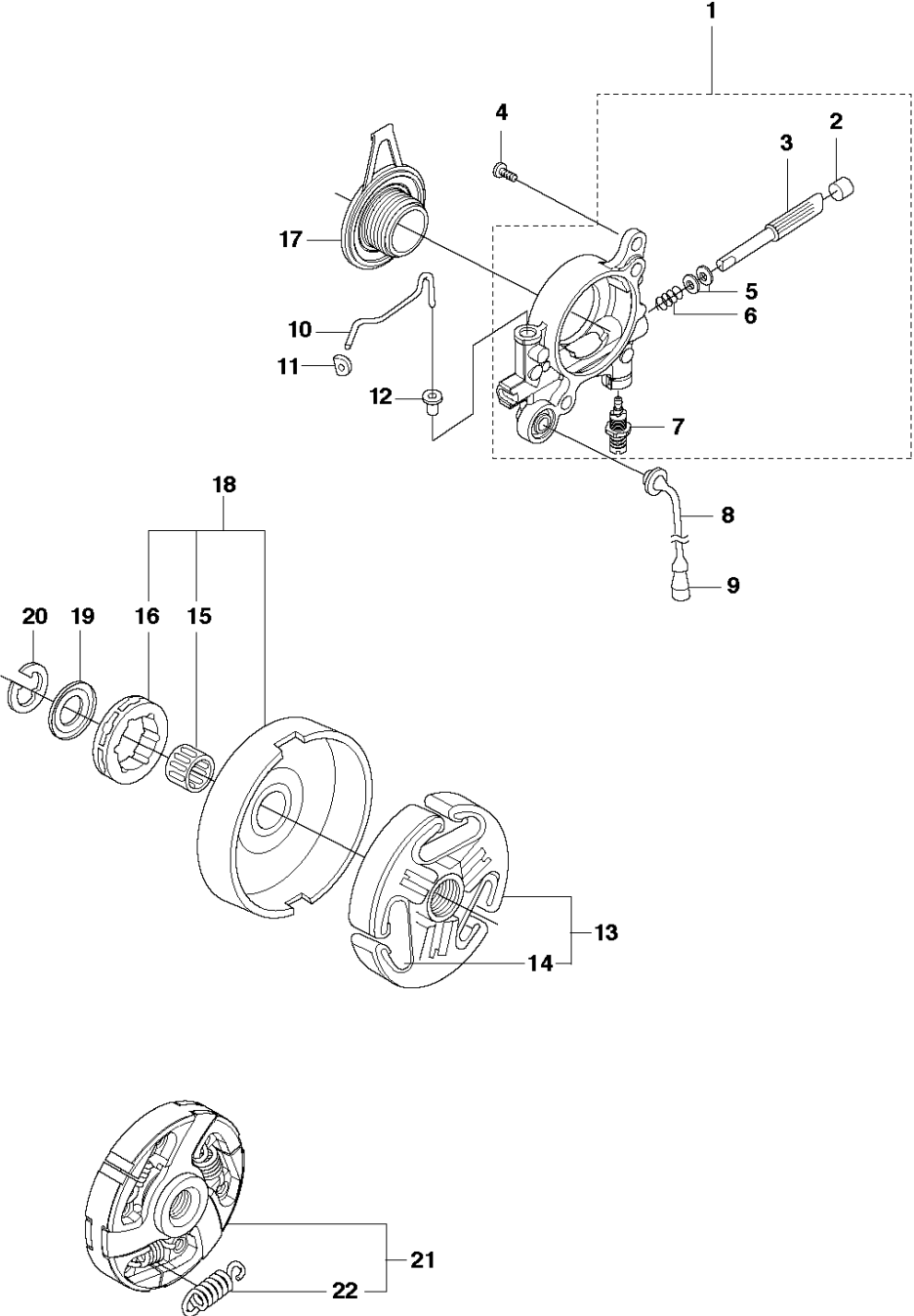


CHAIN BRAKE

390XP from 2019-08

Ref	Part No	Description	Remark	QTY	KIT
1	537 33 10-01	CLUTCH COVER ASSY	WA	1	
2	525 88 74-02	SCREW CITXPANT		2	1
3	537 17 41-01	CHIP GUARD		1	1
4	503 99 83-01	PAWL		1	1, 11
5	537 07 95-02	WORM SCREW		1	1, 11
6	503 23 00-66	WASHER		1	1, 11
7	740 48 07-02	O-RING		1	1, 11
8	503 23 00-63	WASHER		1	1, 11
9	537 07 94-02	WORM WHEEL		1	1, 11
10	537 01 68-01	COVER		1	1, 11
11	537 04 41-02	CHAIN TENSIONER		1	1
12	525 88 74-02	SCREW CITXPANT		2	1, 11
13	537 03 38-03	LABEL		1	1
14	525 88 74-02	SCREW CITXPANT		1	1
15	537 04 34-01	CHAIN GUIDE		1	1
16	525 88 74-02	SCREW CITXPANT		1	
17	503 92 27-01	SPIKE	WA	1	
18	537 01 74-01	BEARING SLEEVE		1	1, 11

B 390, 390EPA
CLUTCH & OIL PUMP

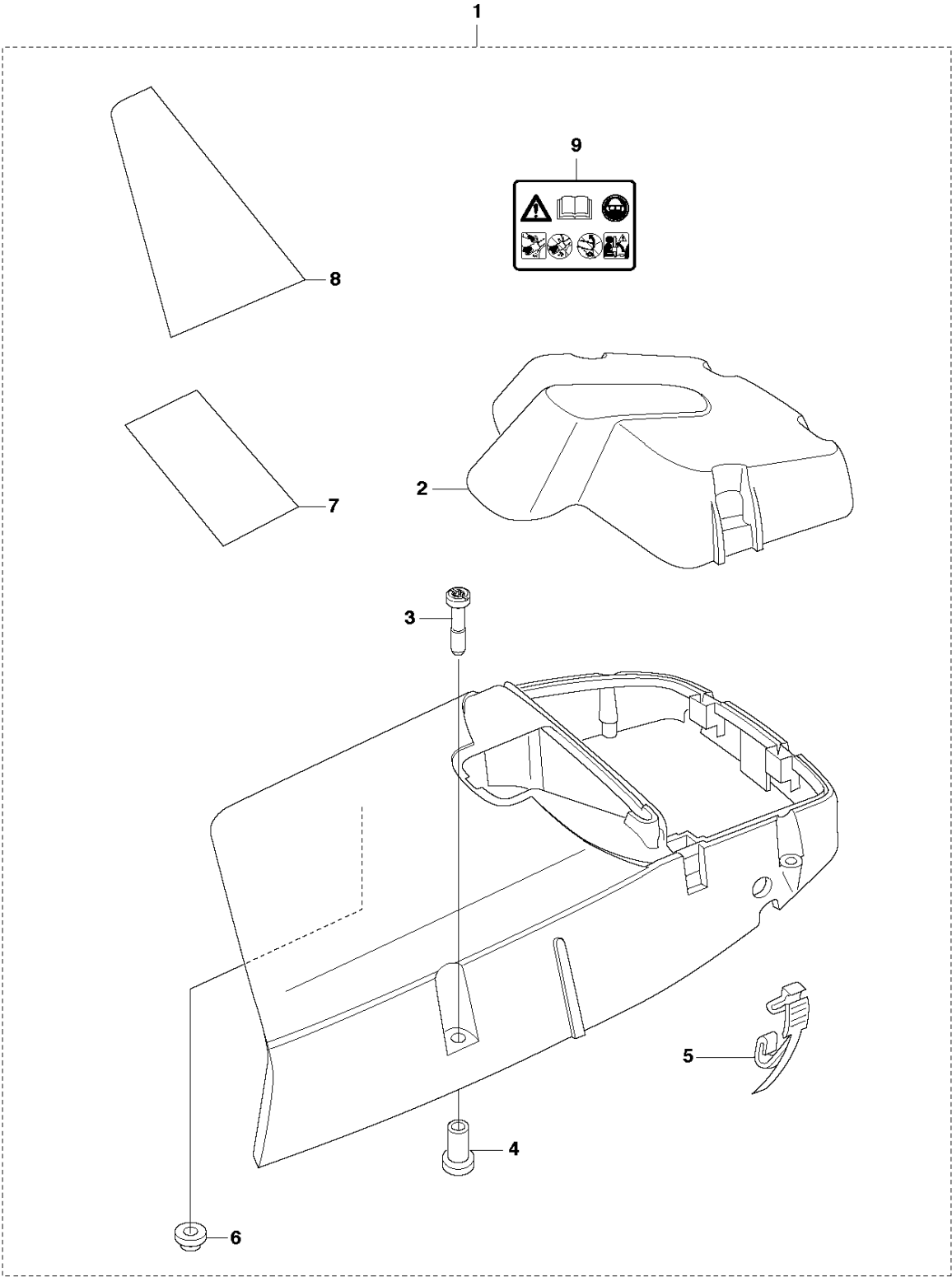


CLUTCH & OIL PUMP

390XP from 2019-08

Ref	Part No	Description	Remark	QTY KIT	
1	503 52 13-05	OIL PUMP ASSY		1	
2	503 62 49-01	SEALING PLUG		1	1
3	537 10 64-01	PUMP PISTON		1	1
4	525 82 49-12	SCREW ITXSCM		2	
5	503 23 00-04	WASHER		2	1
6	501 61 58-01	SPRING		1	1
7	537 39 60-01	INSERT		1	1
8	503 42 67-01	OIL HOSE		1	
9	501 54 41-02	OIL SCREEN		1	
10	503 77 43-01	OIL PIPE		1	
11	503 64 47-01	BUSHING		1	
12	504 30 00-26	SEALING		1	
13	503 97 50-01	CLUTCH ASSY		1	
14	503 97 51-01	CLUTCH SPRING		3	13
15	503 43 20-01	NEEDLE HOLDER		1	18
16	501 59 80-02	RIM	"3/8"x7T"	1	18
16	505 30 36-61	RIM	"3/8"x8T"	1	18
16	501 59 79-02	RIM	.404x7	1	18
17	537 20 78-06	PUMP PINION		1	
18	537 13 79-71	CLUTCH DRUM ASSY	"3/8"x7T"	1	
18	537 13 79-72	CLUTCH DRUM ASSY	"3/8"x8T"	1	
18	537 13 79-02	CLUTCH DRUM	.404x7	1	
19	503 75 24-01	WASHER		1	
20	503 27 21-01	E-CLIP		1	
21	537 25 75-01	CLUTCH ASSY		1	
22	503 14 51-01	CLUTCH SPRING		3	21

C 390XP
CYLINDER COVER

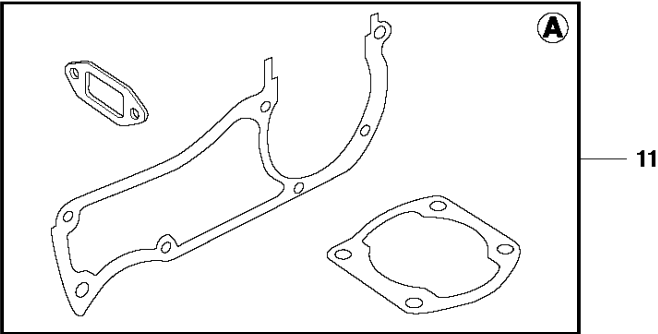
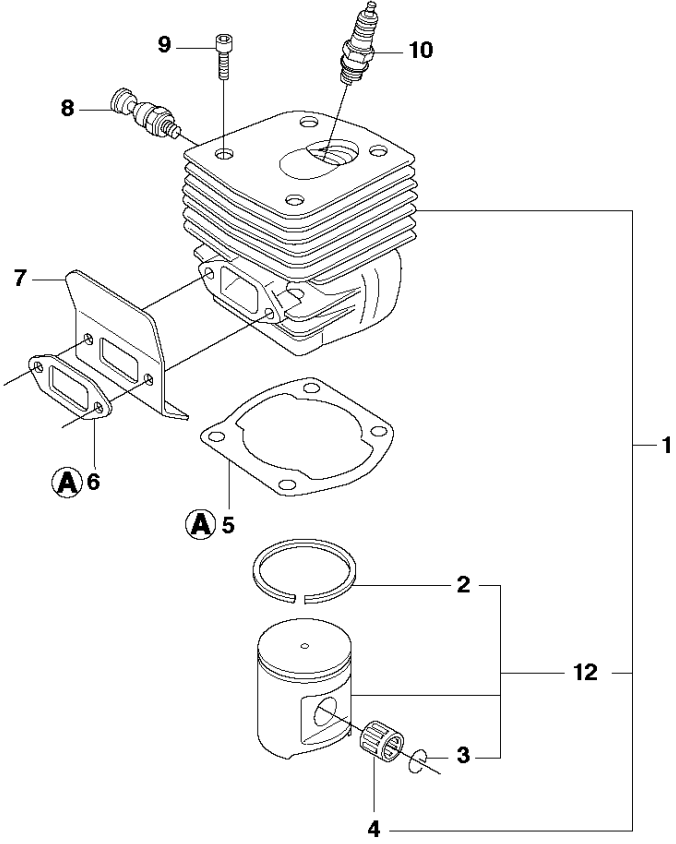


CYLINDER COVER

390XP from 2019-08

Ref	Part No	Description	Remark	QTY KIT	
1	537 00 07-01	CYLINDER COVER ASSY	Std	1	
1	537 00 07-02	CYLINDER COVER ASSY	Hd	1	1
2	537 00 09-01	FILTER COVER	Std	1	
2	537 00 10-01	FILTER COVER	Hd	1	1
3	588 48 73-01	SCREW CITXPANMO		3	1
4	537 13 72-01	SLEEVE		3	1
5	503 74 01-02	SNAP LOCKING		4	1
6	537 01 65-01	SUPPORT		1	1
7	537 07 23-01	HEAT PROTECTOR		1	1
8	537 06 96-01	HEAT PROTECTOR		1	1
9	503 98 74-01	LABEL		1	1

D 390, 390EPA
CYLINDER PISTON

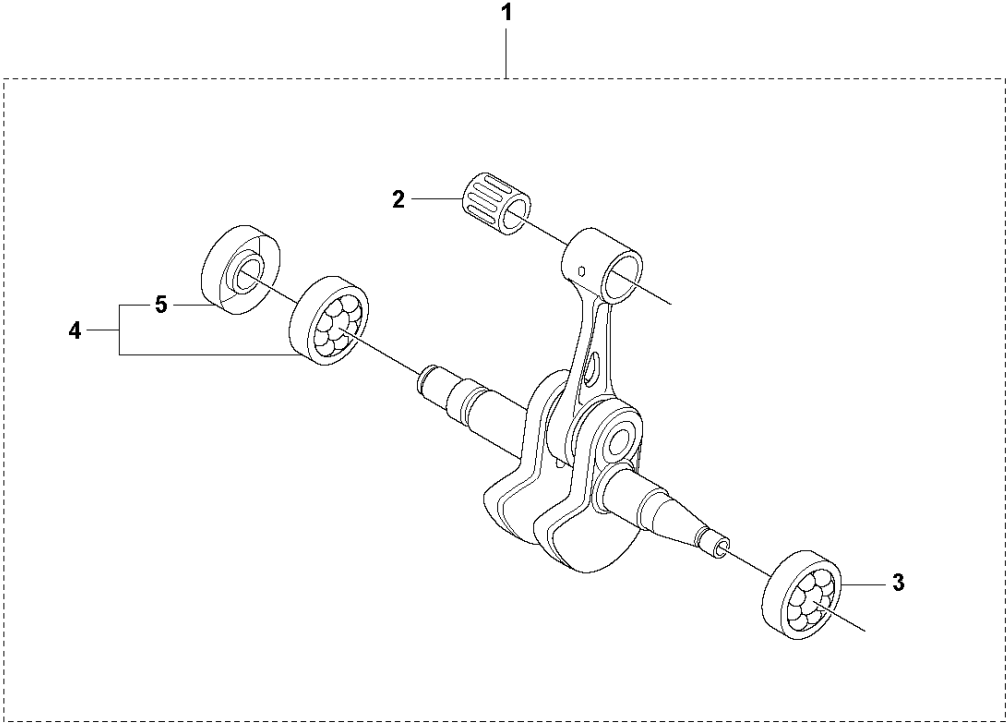


CYLINDER PISTON

390XP from 2019-08

Ref	Part No	Description	Remark	QTY	KIT
1	544 00 65-02	CYLINDER ASSY		1	
2	503 28 90-53	PISTON RING		2	12
3	737 44 13-00	CIRCLIP		2	12
4	503 25 61-01	NEEDLE BEARING		1	1
5	537 00 57-01	GASKET		1	11
6	503 77 59-01	GASKET		1	11
7	537 08 62-01	HEAT DEFLECTOR		1	
8	503 71 53-01	DECOMPRESSION VALVE		1	
9	525 82 49-03	SCREW ITXSCM		4	
10	503 23 51-11	SPARK PLUG	BPMR7A	1	
11	537 03 39-01	GASKET KIT	A = Set of gaskets	1	
12	537 42 02-02	PISTON ASSY		1	1

E 390XP
CRANKSHAFT

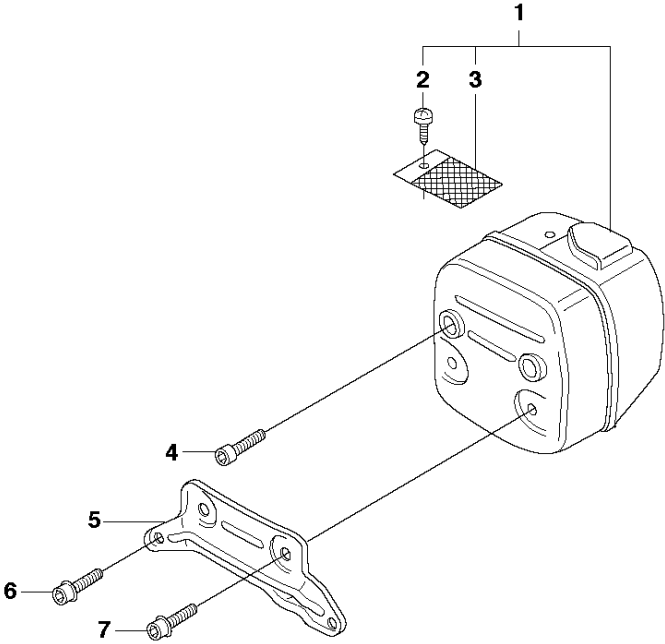


CRANKSHAFT

390XP from 2019-08

Ref	Part No	Description	Remark	QTY KIT	
1	503 99 34-06	CRANKSHAFT		1	
2	503 25 61-01	NEEDLE BEARING		1	1
3	738 22 03-25	BALL BEARING		1	1
4	503 25 13-02	BALL BEARING		1	1
5	584 22 65-01	SEALING RING		1	1, 4

F 390, 390EPA
MUFFLER

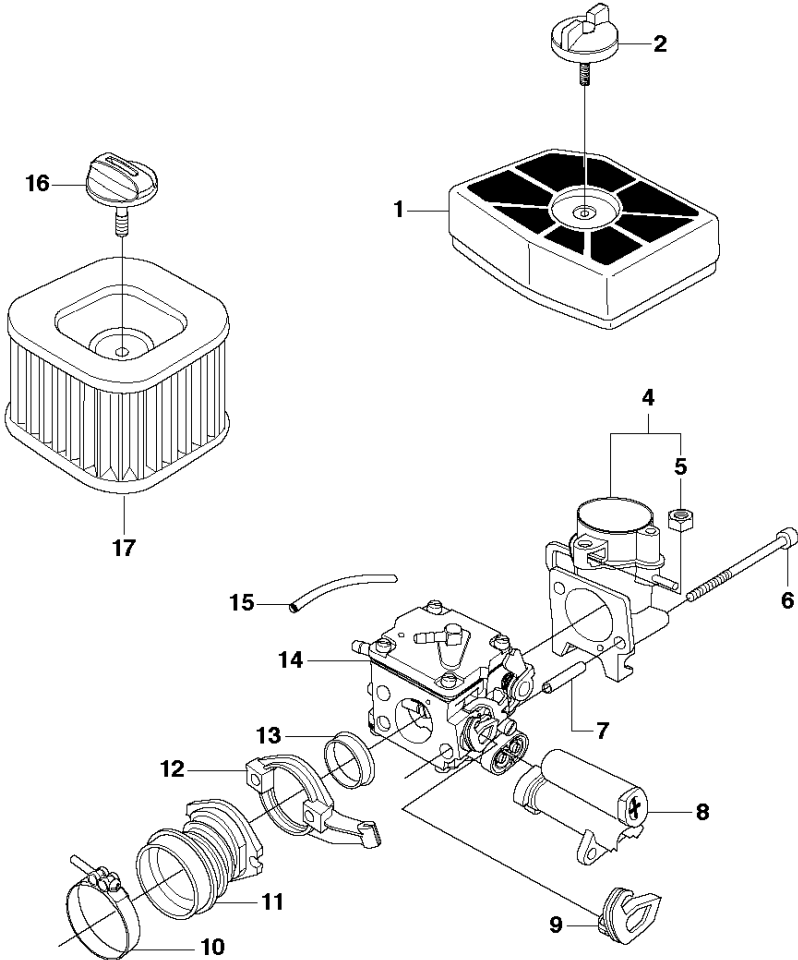


MUFFLER

390XP from 2019-08

Ref	Part No	Description	Remark	QTY	KIT
1	585 44 83-01	MUFFLER ASSY	DF	1	
1	585 44 82-01	MUFFLER ASSY	Jungle	1	
2	724 12 87-59	SCREW CRPANM		1	1
3	503 76 64-02	SPARK ARRESTER SCREEN		1	1
4	525 82 51-01	SCREW ITXSCM		2	
5	579 02 59-01	SUPPORT		1	
6	525 75 52-02	SCREW ITXSCFM		2	
7	525 75 51-05	SCREW ITXSCFM		2	

G 390XP
CARBURETOR & AIRFILTER

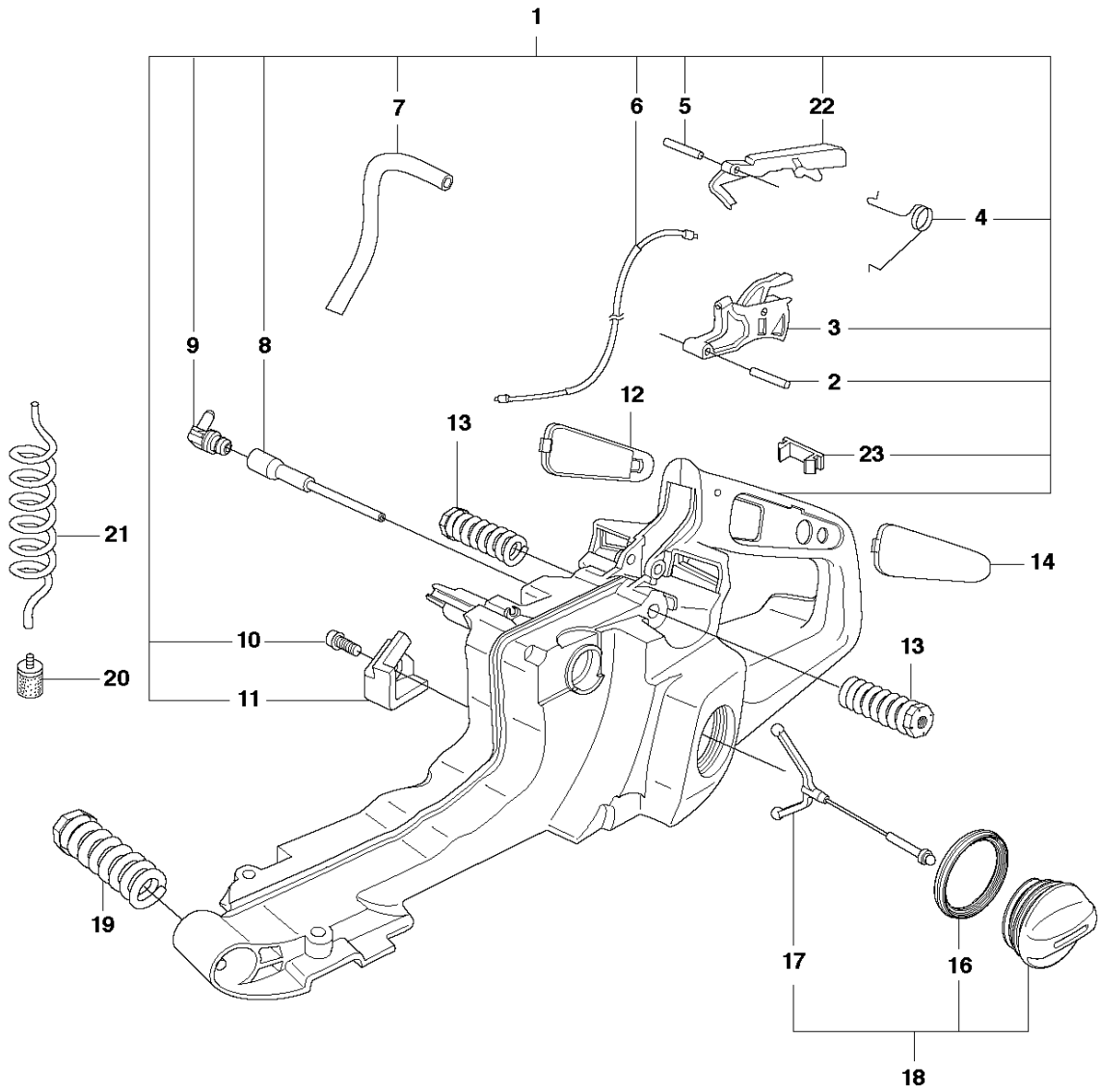


CARBURETOR & AIR FILTER

390XP from 2019-08

Ref	Part No	Description	Remark	QTY	KIT
1	537 01 47-01	AIR FILTER ASSY	80μ	1	
1	537 01 47-02	AIR FILTER ASSY	44μ	1	
1	537 01 47-03	AIR FILTER ASSY	Felt	1	
2	537 21 32-01	KNOB		1	
4	537 00 91-01	FILTER HOLDER		1	
5	731 23 14-01	HEXAGON NUT		1	4
6	581 14 30-02	SCREW ITXSCM		2	
7	503 70 11-01	TUBE		2	
8	544 97 51-01	GUIDE BUSHING		1	
9	503 68 41-01	LEVER		1	
10	588 77 55-02	HOSE CLAMP		1	
11	537 11 14-01	INLET PIPE		1	
11	537 11 14-02	INLET PIPE	For cold conditions	1	
12	537 00 37-01	FLANGE		1	
13	503 96 22-01	SUPPORT SLEEVE		1	
14	501 35 54-01	CARBURETTOR	WJ118	1	
14	501 35 52-01	CARBURETTOR	WJ116 (EPA)	1	
15	503 40 06-04	IMPULSE HOSE		1	
16	537 21 32-05	KNOB		1	
17	537 00 93-01	AIR FILTER	Felt	1	

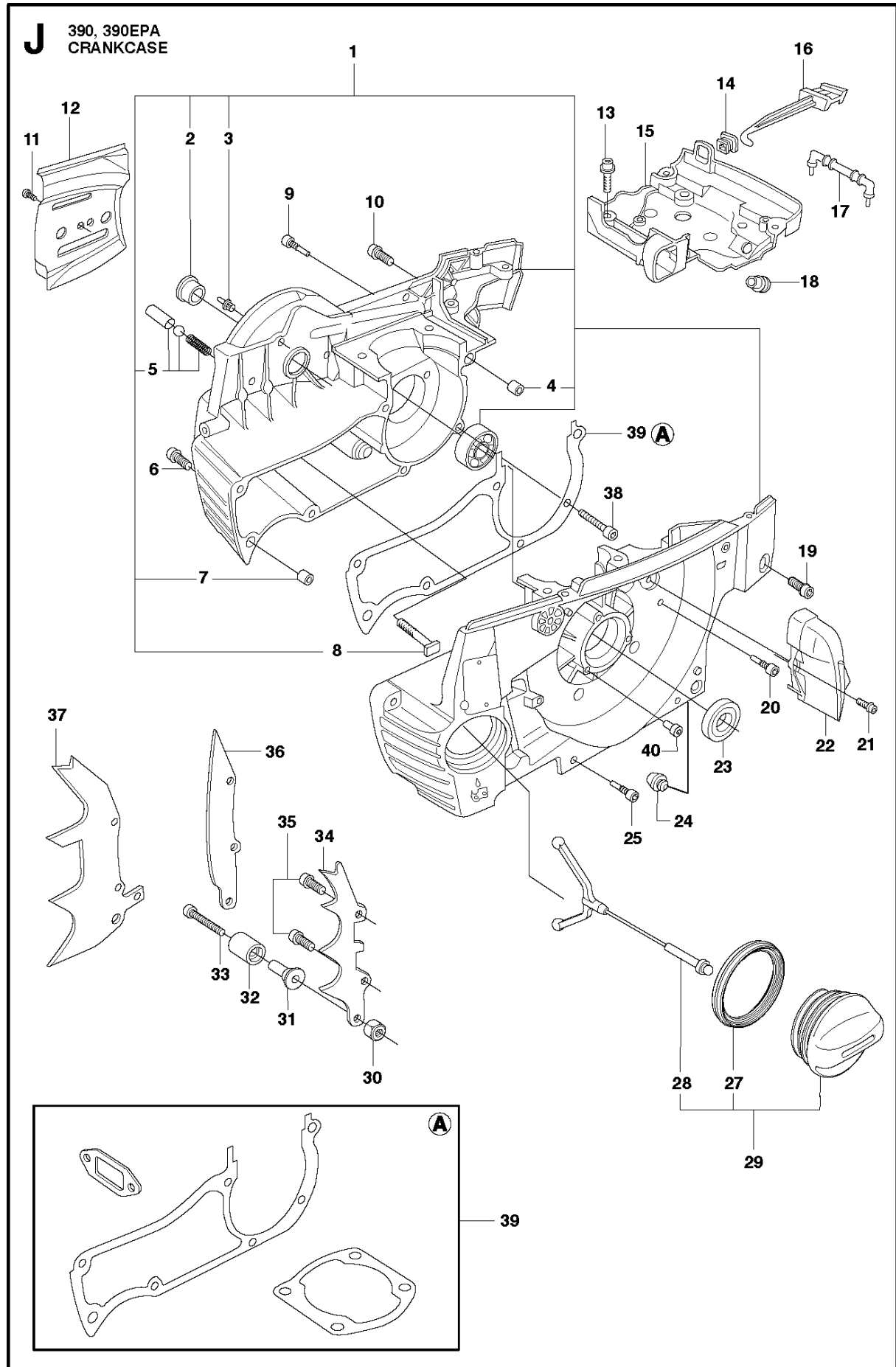
H 390, 390EPA
FUEL TANK & HANDLE



FUEL TANK & HANDLE

390XP from 2019-08

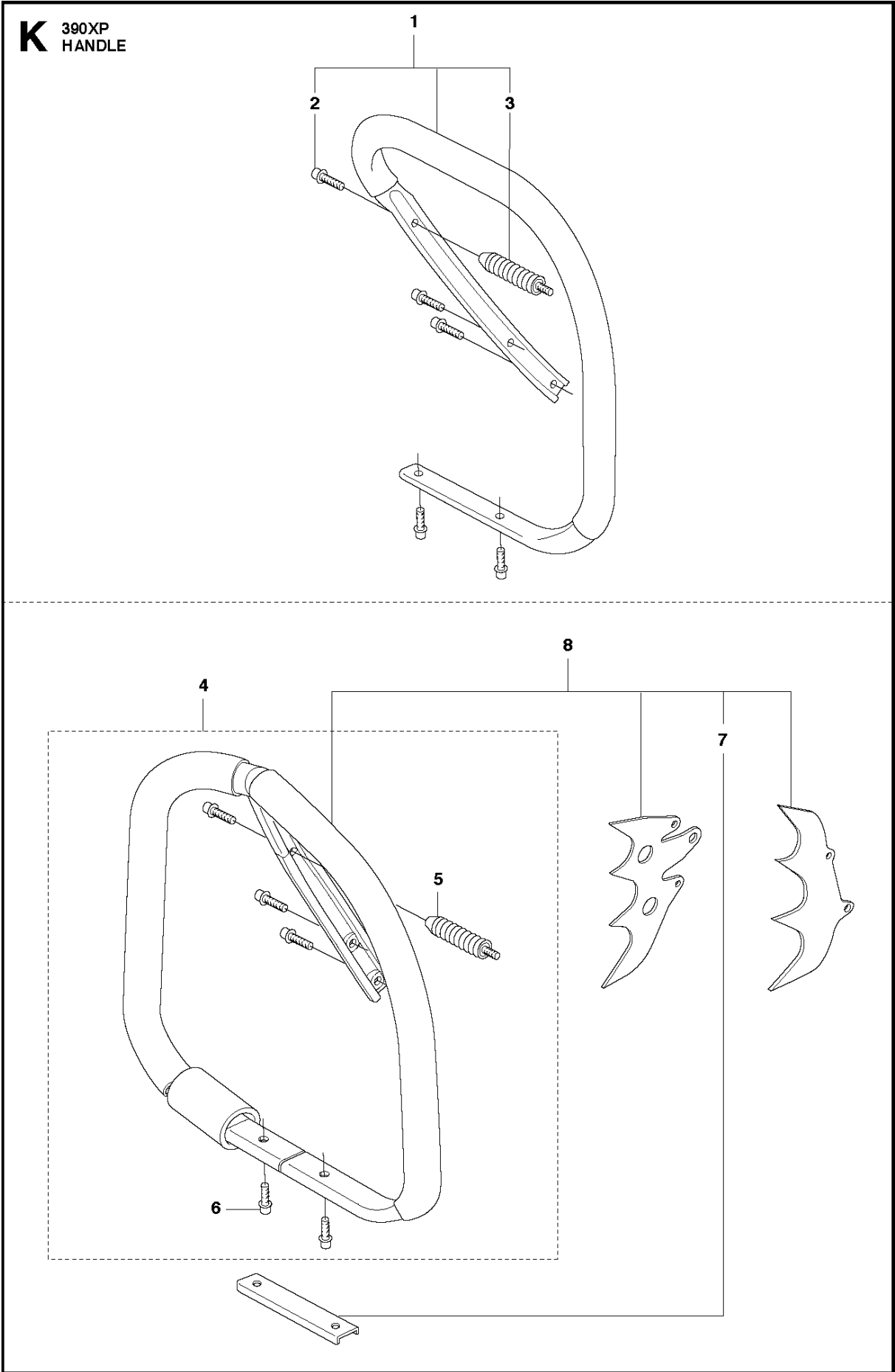
Ref	Part No	Description	Remark	QTY	KIT
1	537 00 03-71	FUEL TANK		1	
2	720 12 72-20	PARALLEL PIN		1	1
3	503 82 98-01	TRIGGER		1	1
4	503 73 64-01	SPRING		1	1
5	720 12 40-20	PARALLEL PIN		1	1
6	503 71 76-01	THROTTLE CABLE ASSY		1	1
7	581 75 61-06	FUEL HOSE		1	1
8	537 09 22-01	TANK VENT ASSY		1	1
9	537 09 93-01	CONNECTION BEND		1	1
10	525 79 81-02	SCREW ITXSCFT		1	1
11	537 00 88-01	COVER		1	1
12	537 03 34-01	HANDLE INSERT		1	
13	537 01 79-01	INSULATOR		2	
13	537 01 79-02	INSULATOR	Hard	2	
14	537 03 34-01	HANDLE INSERT		1	
16	589 24 11-01	GASKET		1	18
17	503 57 89-01	HOLDER		1	18
18	537 21 52-07	TANK CAP ASSY		1	
19	537 01 75-01	INSULATOR		1	
19	537 01 75-02	INSULATOR	Hard	1	
20	503 44 32-01	FUEL FILTER		1	
21	581 75 62-02	FUEL HOSE		1	
22	503 55 66-01	THROTTLE LOCKOUT		1	1
23	501 49 27-03	COVER		1	1



CRANKCASE

390XP from 2019-08

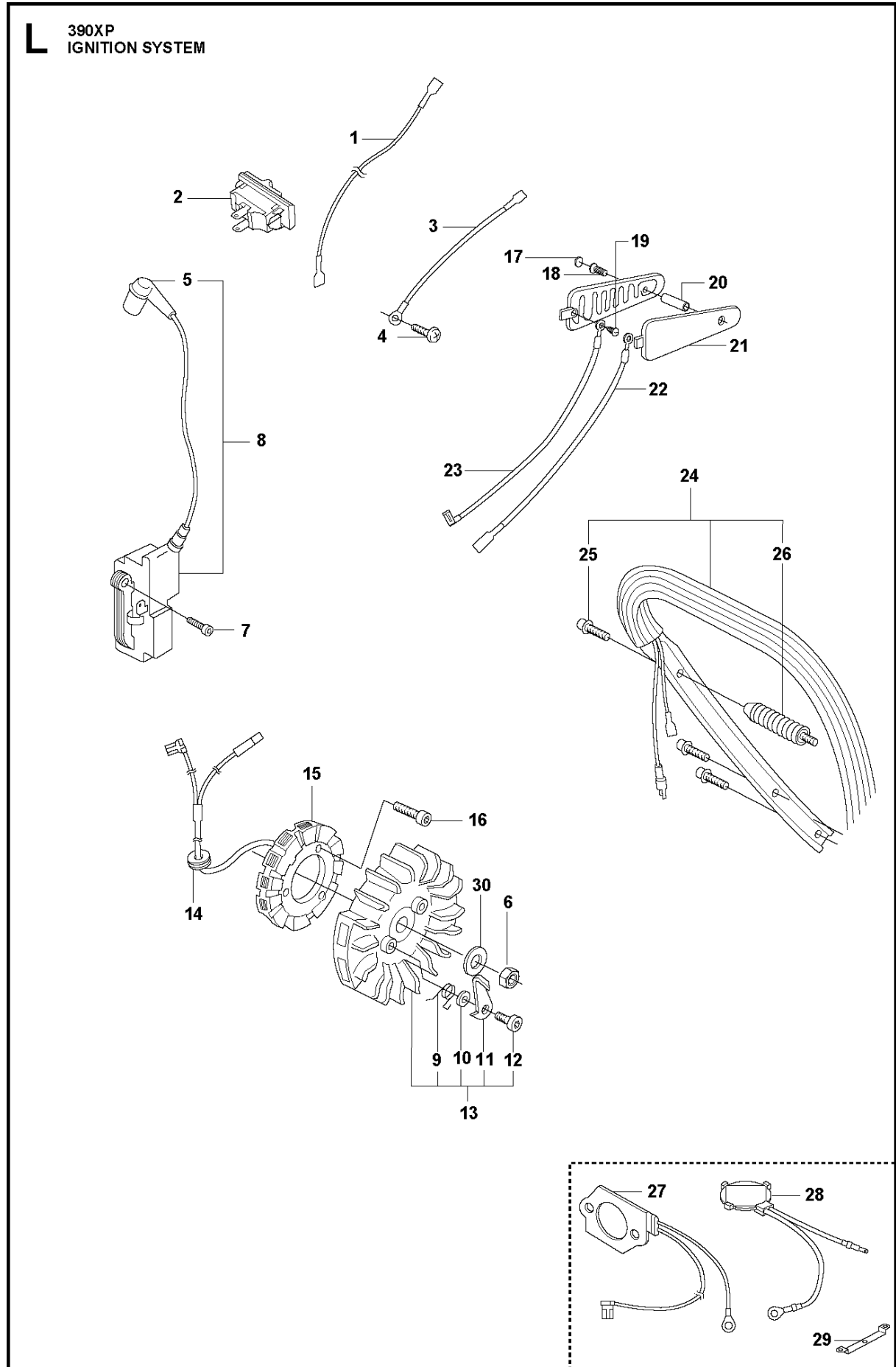
Ref	Part No	Description	Remark	QTY	KIT
1	503 99 11-05	CRANKCASE ASSY		1	
2	503 96 70-01	BUSHING		1	1
3	503 75 18-01	PIN		1	1
4	501 27 08-01	GUIDE BUSHING		1	1
5	537 04 03-01	VALVE		1	1
6	525 79 81-02	SCREW ITXSCFT		1	
7	501 27 08-01	GUIDE BUSHING		1	1
8	537 05 13-01	BAR BOLT		2	1
9	586 44 54-01	SCREW ITXSCM		1	
10	525 79 81-02	SCREW ITXSCFT		1	
11	525 88 74-02	SCREW CITXPANT		1	
12	537 04 66-01	KIT		1	
13	525 75 52-01	SCREW ITXSCFM		4	
14	503 73 44-01	GROMMET		1	
15	537 00 14-02	CARBURETTOR		1	
16	537 00 12-01	CHOKE CONTROL		1	
17	579 46 89-01	SUPPORT		1	
18	537 09 54-01	GROMMET		1	
19	525 79 81-02	SCREW ITXSCFT		1	
20	586 44 54-01	SCREW ITXSCM		1	
21	525 75 52-01	SCREW ITXSCFM		1	
22	537 00 79-01	AIR NOZZLE		1	
23	503 26 02-05	SEALING RING		1	
24	503 84 61-01	BUFFER		2	
25	586 44 54-01	SCREW ITXSCM		1	
27	589 24 11-01	GASKET		1	29
28	503 57 89-01	HOLDER		1	29
29	537 21 52-07	TANK CAP ASSY		1	
30	503 22 24-01	LOCK NUT		1	
31	537 08 92-01	CHAIN CATCHER		1	
32	537 02 44-01	WEAR PROTECTION		1	
33	525 75 52-06	SCREW ITXSCFM		1	
34	537 01 71-01	SPIKE		1	
35	575 79 35-01	SCREW ITXPANM		2	
36	537 04 29-01	BUMPER		1	
37	537 01 72-01	SPIKE	WA	1	
38	579 86 56-02	SCREW ITXSCFM		6	
39	537 03 39-01	GASKET KIT	A = Set of gaskets	1	
40	725 52 87-56	SCREW IHSCM		3	



HANDLE

390XP from 2019-08

Ref	Part No	Description	Remark	QTY KIT	
1	503 98 66-71	FRONT HANDLE ASSY		1	
	503 98 66-02	FRONT HANDLE ASSY	(G)	1	
2	525 79 81-02	SCREW ITXSCFT		5	1
3	503 52 87-03	INSULATOR		1	1
4	503 98 67-71	FRONT HANDLE ASSY	WA	1	
4	503 98 67-72	FRONT HANDLE ASSY	WA (G)	1	
5	503 52 87-02	INSULATOR	WA	1	4
5	503 68 45-03	ANTIVIBRATION ELEMENT	WA (G)	1	
6	525 79 81-02	SCREW ITXSCFT	WA	5	4
7	537 03 73-01	REINFORCING PLATE	WA	1	8
8	588 84 63-01	HANDLE		1	

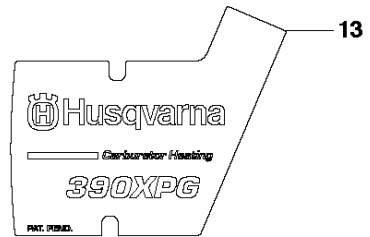
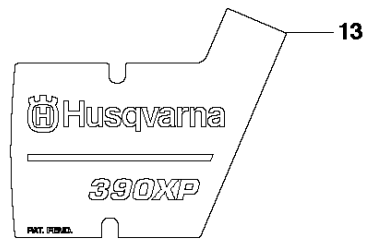
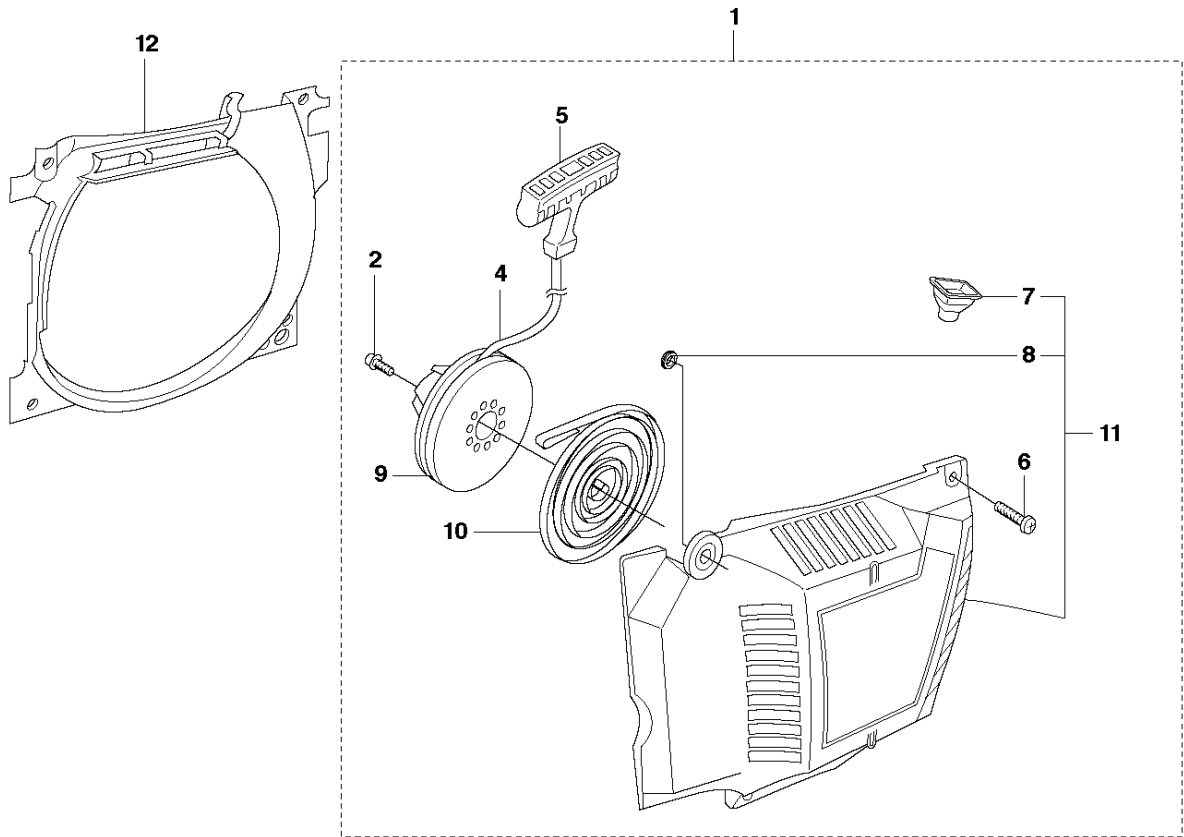


IGNITION SYSTEM

390XP from 2019-08

Ref	Part No	Description	Remark	QTY	KIT
1	503 62 61-02	CABLE		1	
2	503 71 82-01	SWITCH		1	
2	503 71 82-02	SWITCH	G	1	
3	503 89 76-01	CABLE		1	
4	525 88 74-02	SCREW CITXPANT		1	
5	501 48 54-02	SPARK PLUG CAP		1	
6	503 22 10-11	HEXAGON NUT		1	
7	582 02 97-01	SCREW ITXSCM		2	
8	510 11 49-02	IGNITION MODULE	Speed limited	1	
9	501 67 35-01	SPRING		2	13
10	503 23 00-42	WASHER		2	13
11	537 01 55-01	STARTER PAWL		2	13
12	506 00 69-01	SCREW		2	13
13	537 05 16-05	FLYWHEEL ASSY		1	
13	537 05 16-06	FLYWHEEL ASSY	G	1	
14	501 27 13-02	CABLE GROMMET	G	1	
15	537 07 18-02	STATOR ASSY	G	1	
16	581 14 30-04	SCREW ITXSCM	G	3	
17	501 79 51-02	COVER WASHER	G	2	
18	724 32 24-05	SCREW CRCSFM	G	2	
19	525 88 89-02	SCREW CITXPANT	G	2	
20	537 05 26-01	SPACER	G	1	
21	501 62 93-08	HANDLE INSERT	G	2	
22	537 04 06-01	CABLE	G	1	
23	537 04 05-01	CABLE	G	1	
24	503 98 66-72	FRONT HANDLE ASSY	G	1	
25	525 79 81-02	SCREW ITXSCT		5	24
26	503 68 45-03	ANTIVIBRATION ELEMENT		1	24
27	537 06 53-02	FOIL ELEMENT		1	
28	537 18 98-01	THERMOSTAT ASSY		1	
29	537 06 32-01	RETAINER		1	
30	503 08 52-01	WASHER		1	

M 390, 390EPA
STARTER



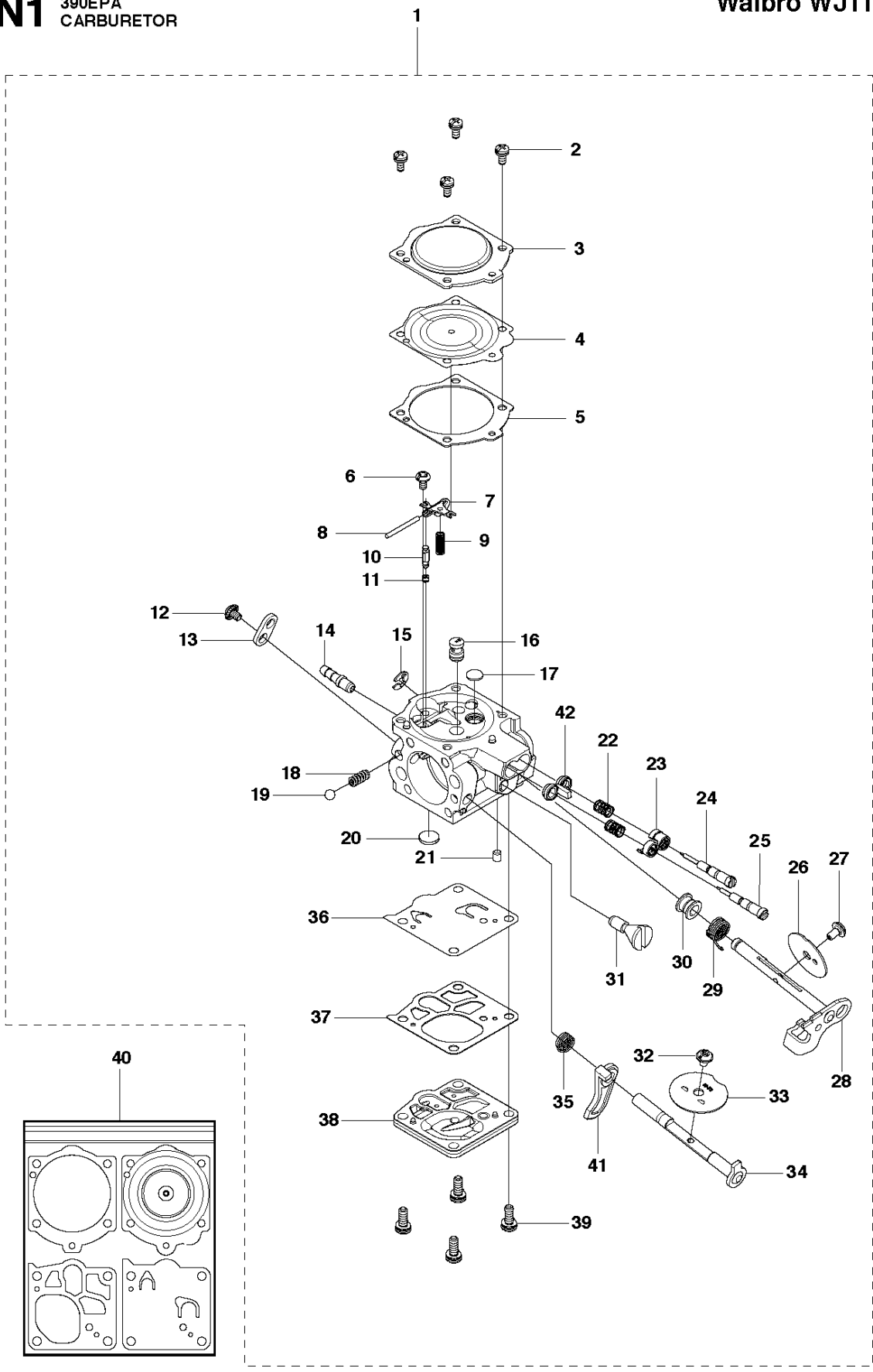
STARTER

390XP from 2019-08

Ref	Part No	Description	Remark	QTY	KIT
1	537 00 38-71	STARTER ASSY		1	
2	586 44 31-01	SCREW ITXSCFT		1	1
4	503 43 29-02	STARTER CORD		1	1
5	503 54 39-01	STARTER HANDLE		1	1
6	525 82 45-01	SCREW CITXPANMO		4	1,11
7	501 63 06-01	SLEEVE		1	1,11
8	537 08 67-01	BUSHING		1	1,11
9	503 85 96-01	STARTER PULLEY		1	1
10	503 78 72-01	RECOIL SPRING		1	1
11	537 00 39-71	STARTER HOUSING		1	1
12	537 00 13-01	AIR CONDUCTOR		1	
13	537 32 70-03	LABEL		1	
13	537 32 70-04	LABEL	G	1	

N1 390EPA
CARBURETOR

Walbro WJ116



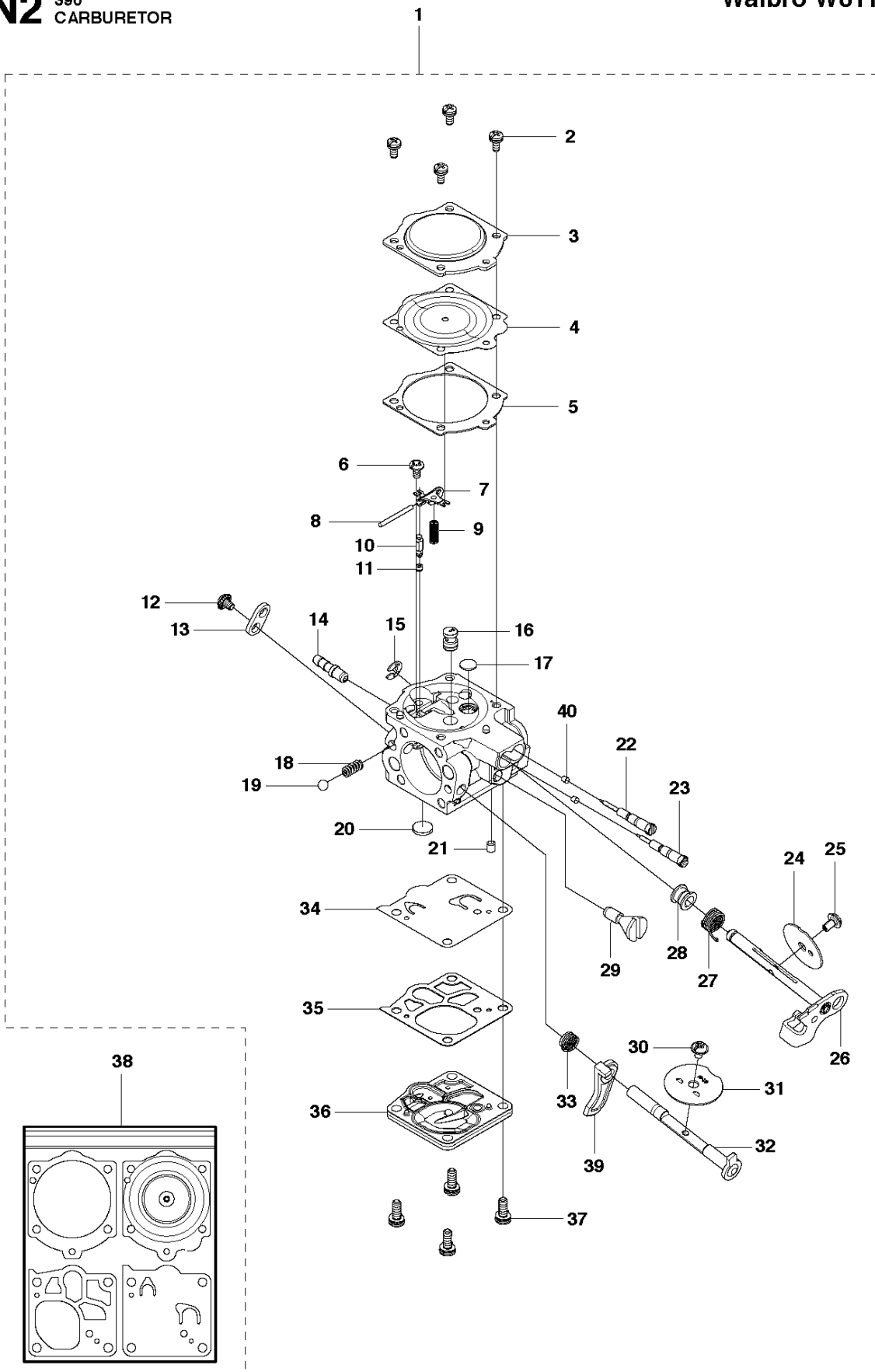
CARBURETOR

390XP from 2019-08

Ref	Part No	Description	Remark	QTY	KIT
1	501 35 52-01	CARBURETTOR		1	
2	503 10 87-01	SCREW		4	1
3	505 31 67-02	COVER		1	1
4	505 31 67-15	DIAPHRAGM ASSY		1	1, 40
5	501 46 75-01	GASKET		1	1, 40
6	505 31 67-17	SCREW		1	1
7	505 31 67-34	LEVER		1	1
8	505 31 67-31	PIN		1	1
9	504 79 12-01	SPRING		1	1
10	503 56 34-01	NEEDLE VALVE		1	1
11	503 59 23-01	SEAT-IN VALVE PLATED		1	1
12	501 46 87-01	SCREW		1	1
13	504 79 07-01	LEVER		1	1
14	505 69 69-01	FITTING		1	1
15	505 31 67-36	RING		1	1
16	504 79 09-01	NOZZLE		1	1
17	504 79 08-01	PLUG		1	1
18	503 11 77-01	SPRING		1	1
19	503 11 71-01	BALL		1	1
20	501 66 61-01	SCREEN		1	1
21	503 80 05-01	PLUG		1	1
22	544 97 10-01	SPRING		2	1
23	544 97 08-01	LIMITER CAP		2	1
24	504 79 18-01	NEEDLE	Low speed	1	1
25	544 97 13-01	NEEDLE	High speed	1	1
26	503 80 00-01	VALVE		1	1
27	544 11 15-01	SCREW		1	1
28	504 79 04-01	SHAFT ASSY		1	1
29	576 13 82-01	SPRING		1	1
30	502 10 31-01	BUSHING		1	1
31	504 79 11-01	SCREW		1	1
32	537 00 34-01	SCREW		1	1
33	505 31 67-07	VALVE-CHOKE		1	1
34	504 79 05-01	SHAFT ASSY		1	1
35	504 79 15-01	SPRING		1	1
36	544 89 72-01	DIAPHRAGM PUMP		1	1, 40
37	503 11 72-01	GASKET		1	1, 40
38	504 79 03-01	COVER		1	1
39	503 11 75-01	SCREW		4	1
40	522 59 18-01	KIT	Set of gaskets	1	
41	537 40 92-01	LEVER		1	
42	544 97 14-01	RETAINER		1	

N2 390
CARBURETOR

Walbro WJ118

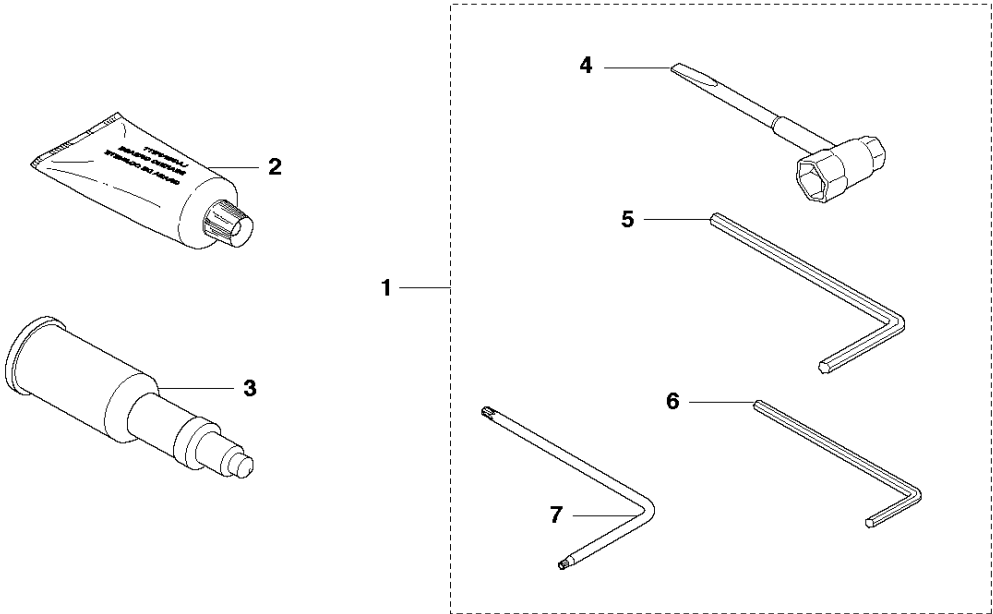


CARBURETOR

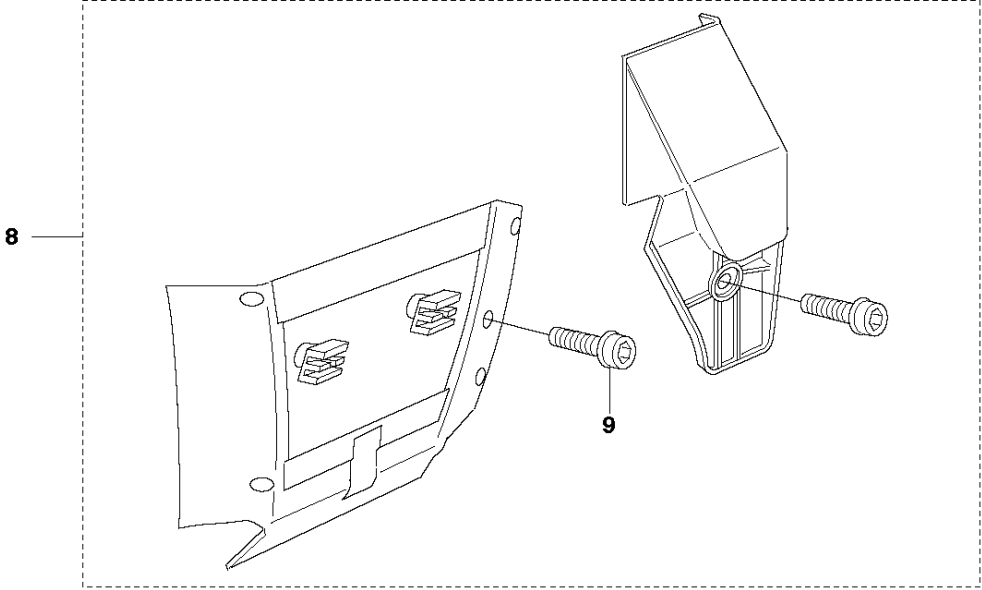
390XP from 2019-08

Ref	Part No	Description	Remark	QTY	KIT
1	501 35 54-01	CARBURETTOR		1	
2	503 10 87-01	SCREW		4	1
3	505 31 67-02	COVER		1	1
4	505 31 67-15	DIAPHRAGM ASSY		1	1, 38
5	501 46 75-01	GASKET		1	1, 38
6	505 31 67-17	SCREW		1	1
7	505 31 67-34	LEVER		1	1
8	505 31 67-31	PIN		1	1
9	504 79 12-01	SPRING		1	1
10	503 56 34-01	NEEDLE VALVE		1	1
11	503 59 23-01	SEAT-IN VALVE PLATED		1	1
12	501 46 87-01	SCREW		1	1
13	504 79 07-01	LEVER		1	1
14	505 69 69-01	FITTING		1	1
15	505 31 67-36	RING		1	1
16	504 79 09-01	NOZZLE		1	1
17	504 79 08-01	PLUG		1	1
18	503 11 77-01	SPRING		1	1
19	503 11 71-01	BALL		1	1
20	501 66 61-01	SCREEN		1	1
21	503 80 05-01	PLUG		1	1
22	505 50 91-01	NEEDLE	Low speed	1	1
23	505 50 92-01	NEEDLE	High speed	1	1
24	503 80 00-01	VALVE		1	1
25	544 11 15-01	SCREW		1	1
26	504 79 04-01	SHAFT ASSY		1	1
27	576 13 82-01	SPRING		1	1
28	502 10 31-01	BUSHING		1	1
29	504 79 11-01	SCREW		1	1
30	537 00 34-01	SCREW		1	1
31	505 31 67-07	VALVE-CHOKE		1	1
32	504 79 05-01	SHAFT ASSY		1	1
33	504 79 15-01	SPRING		1	1
34	544 89 72-01	DIAPHRAGM PUMP		1	1, 38
35	503 11 72-01	GASKET		1	1, 38
36	504 79 03-01	COVER		1	1
37	503 11 75-01	SCREW		4	1
38	522 59 18-01	KIT	Set of gaskets	1	
39	537 40 92-01	LEVER		1	1
40	544 89 81-01	BUSHING		1	1

P 390XP
ACCESSORIES



WINTER KIT



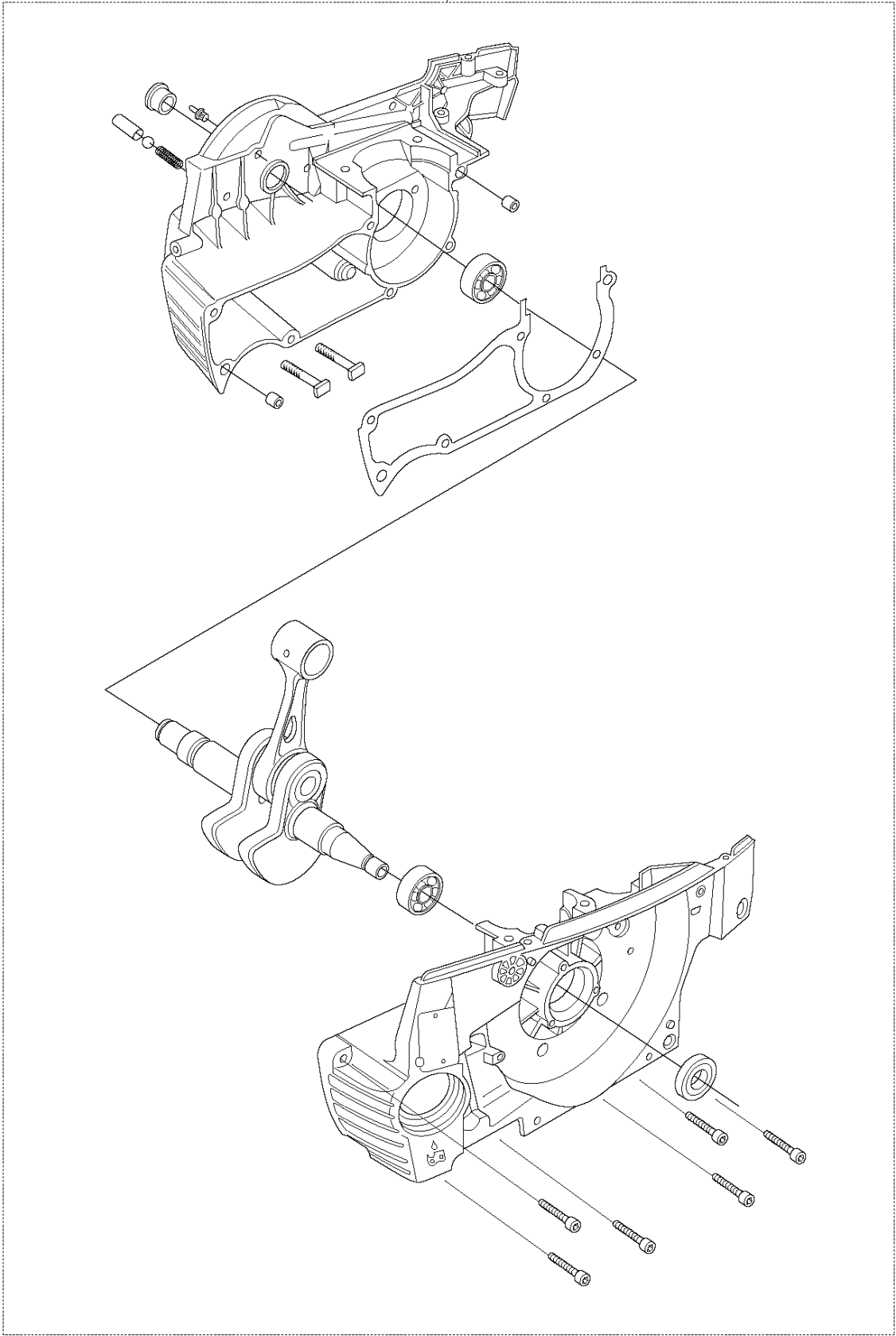
ACCESSORIES

390XP from 2019-08

Ref	Part No	Description	Remark	QTY KIT	
1	501 75 47-01	TOOL KIT		1	
2	503 62 12-01	GREASE		1	
3	501 91 14-01	GREASE GUN		1	
4	503 13 96-01	COMBINATION WRENCH		1	1
5	503 55 86-02	SPANNER	NV5	1	1
6	503 55 86-01	SPANNER	NV4	1	1
7	575 88 07-01	WRENCH	TORX T27/T20	1	1
8	537 04 38-03	WINTER KIT	Winter kit	1	
9	526 22 18-02	SCREW CITXPANT		2	8

R 390XP
SHORT BLOCK

1



SHORT BLOCK

390XP from 2019-08

Ref	Part No	Description	Remark	QTY KIT
1	598 42 38-01	SHORT BLOCK		1

Illustrated Parts List - IPL Update



Product Name(s)

390XP/XPG

Description of change

New Crankshaft with new connecting rod and new big end bearing.
New Short block introduced as spare part.

Reason: Improved durability of crankshaft.

Comments

New article Crankshaft 503 99 34-06 is fully interchangeable.
New article shortblock 598 42 38-01 is fully interchangeable.

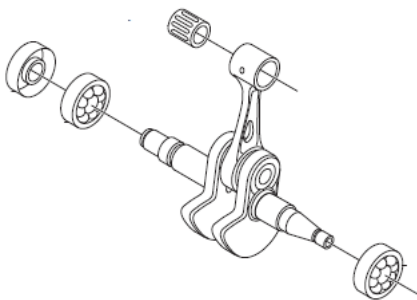
Introduced from

Serial number / Date	Remark
20192700001	CRANKSHAFT ASSY 503 99 34-06
	SHORTBLOCK 598 42 38-01

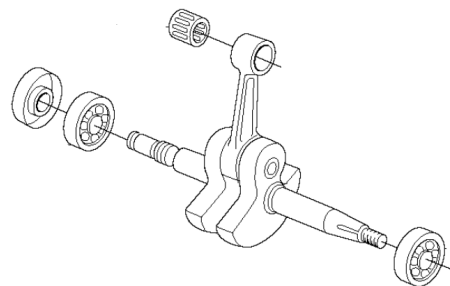
IPL updates

Page Title	Ref. No	New part no	Name	Excl. part no.	Remark
CRANKSHAFT	1	503 99 34-06	CRANKSHAFT	503 99 34-04	
SHORTBLOCK	1	598 42 38-01	SHORTBLOCK		New spare part

CRANKSHAFT



503 99 34-06

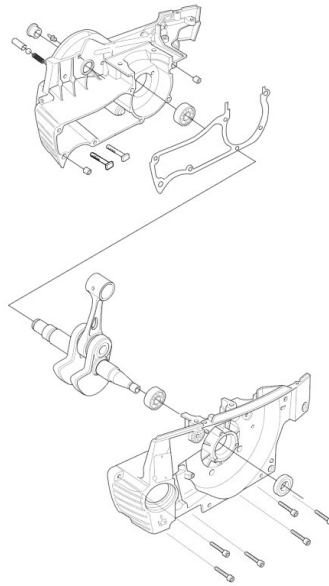


503 99 34-04

Illustrated Parts List - IPL Update



SHORT BLOCK



598 42 38-01