

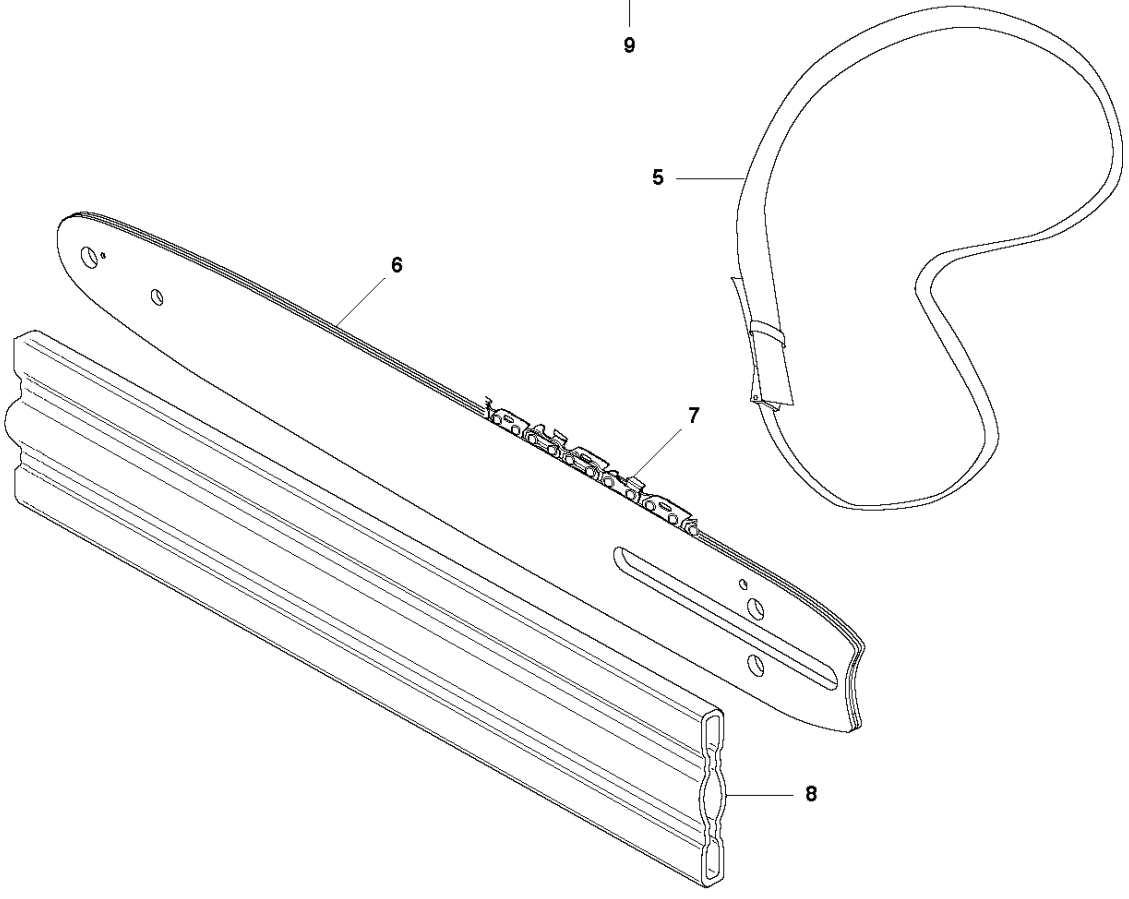
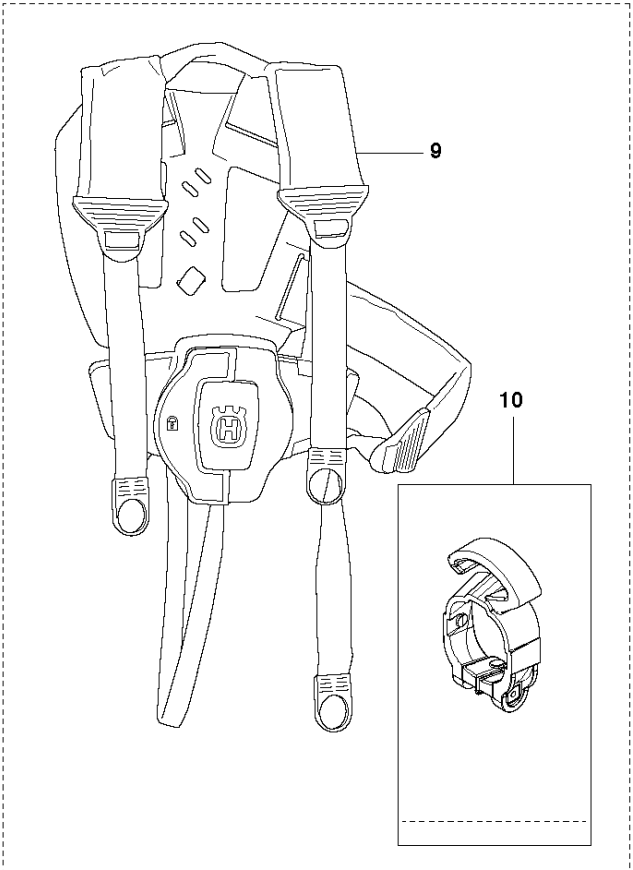
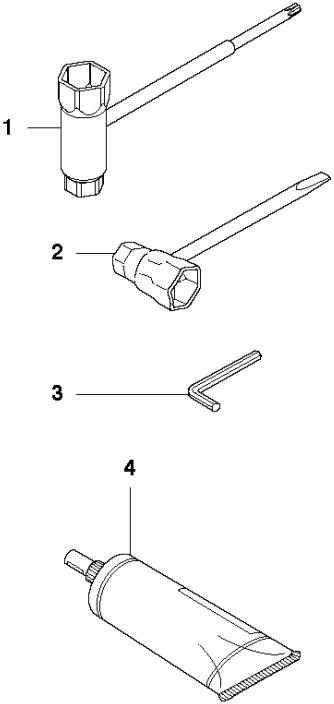


SPARE PARTS LIST

POLE PRUNER/POLE SAWS

525 P5S

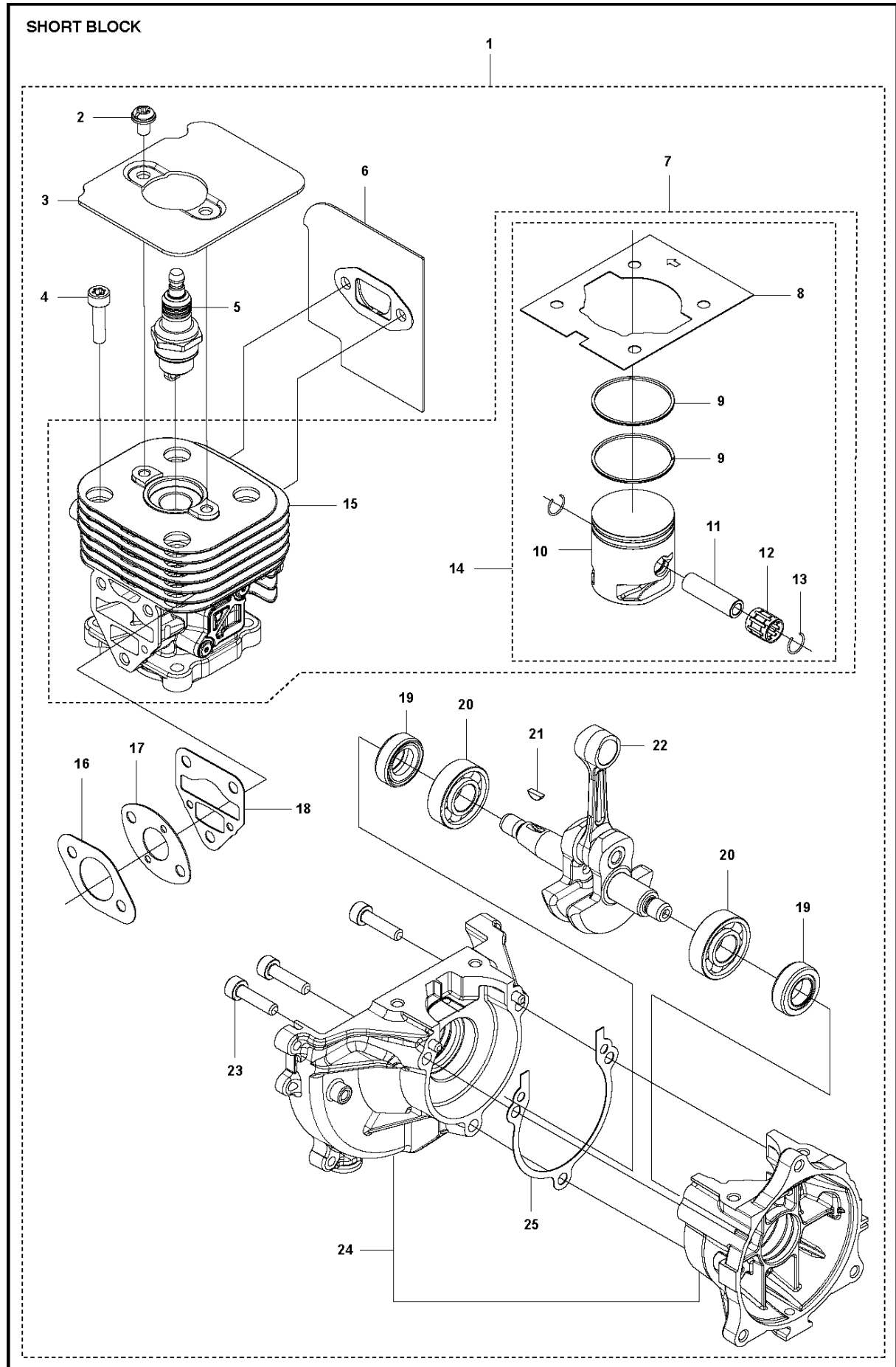
N1 525P5S
ACCESSORIES



ACCESSORIES

525 P5S

Ref	Part No	Description	Remark	QTY KIT
1	575 73 82-02	COMBINATION WRENCH		1
2	501 69 17-01	COMBINATION WRENCH		1
3	503 55 86-01	SPANNER		1
4	579 06 49-01	GREASE	100 g	1
5	537 21 62-03	HARNESS		1
6	501 95 92-40	BAR	"(10''")"	1
6	501 95 92-45	BAR	"(12''")"	1
7	576 93 65-40	SAW CHAIN	"(10''")"	1
7	576 93 65-45	SAW CHAIN	"(12''")"	1
8	537 12 99-01	BAR COVER		1
9	578 44 99-01	HARNESS	Balance flex	1
10	579 83 41-01	ACCESSORY BAG	To be used with Harness 578 44 99-01	1

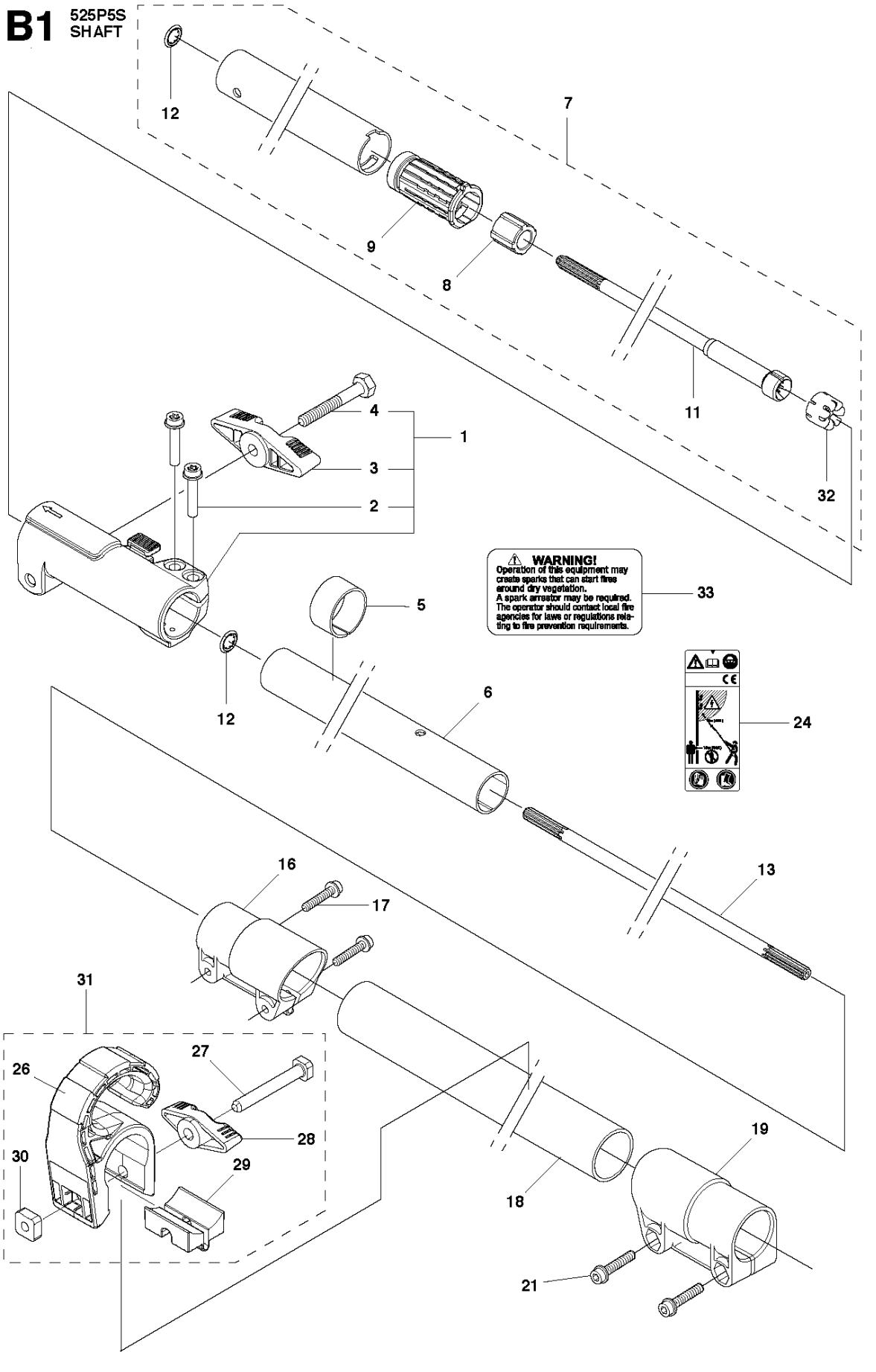


SHORT BLOCK

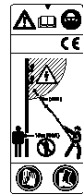
525 P5S

Ref	Part No	Description	Remark	QTY	KIT
1	000 00 00-00	W/O DESCRIPTION		1	
2	544 25 68-01	SCREW		2	
3	578 78 53-01	PLATE		1	
4	504 11 43-01	SCREW		4	
5	576 59 81-01	SPARK PLUG		1	
6	578 40 81-01	GASKET		1	
7	588 09 82-02	SERVICE KIT		1	
8	576 39 87-02	GASKET		1	7,14
9	506 61 81-01	RING		2	7,14
10	577 91 74-01	PISTON		1	7,14
11	505 04 07-01	PIN		1	7,14
12	576 40 27-01	BEARING		1	7,14
13	505 04 52-01	RING		2	7,14
14	588 09 81-02	SERVICE KIT		1	7
15	577 97 90-01	CYLINDER		1	7
16	577 88 24-02	GASKET		1	
17	576 39 91-02	GASKET		1	
18	576 39 89-01	GASKET		1	
19	504 12 15-01	SEALING		2	
20	506 61 03-01	BEARING		2	
21	506 68 94-01	KEY		1	
22	586 65 66-01	CRANKSHAFT		1	
23	504 11 43-01	SCREW		3	
24	581 30 86-02	CRANKCASE		1	
25	576 39 95-02	GASKET		1	

B1 525P5S
SHAFT



WARNING!
Operation of this equipment may create sparks that can start fires around dry vegetation. A spark arrester may be required. The operator should contact local fire agencies for laws or regulations relating to fire prevention requirements.

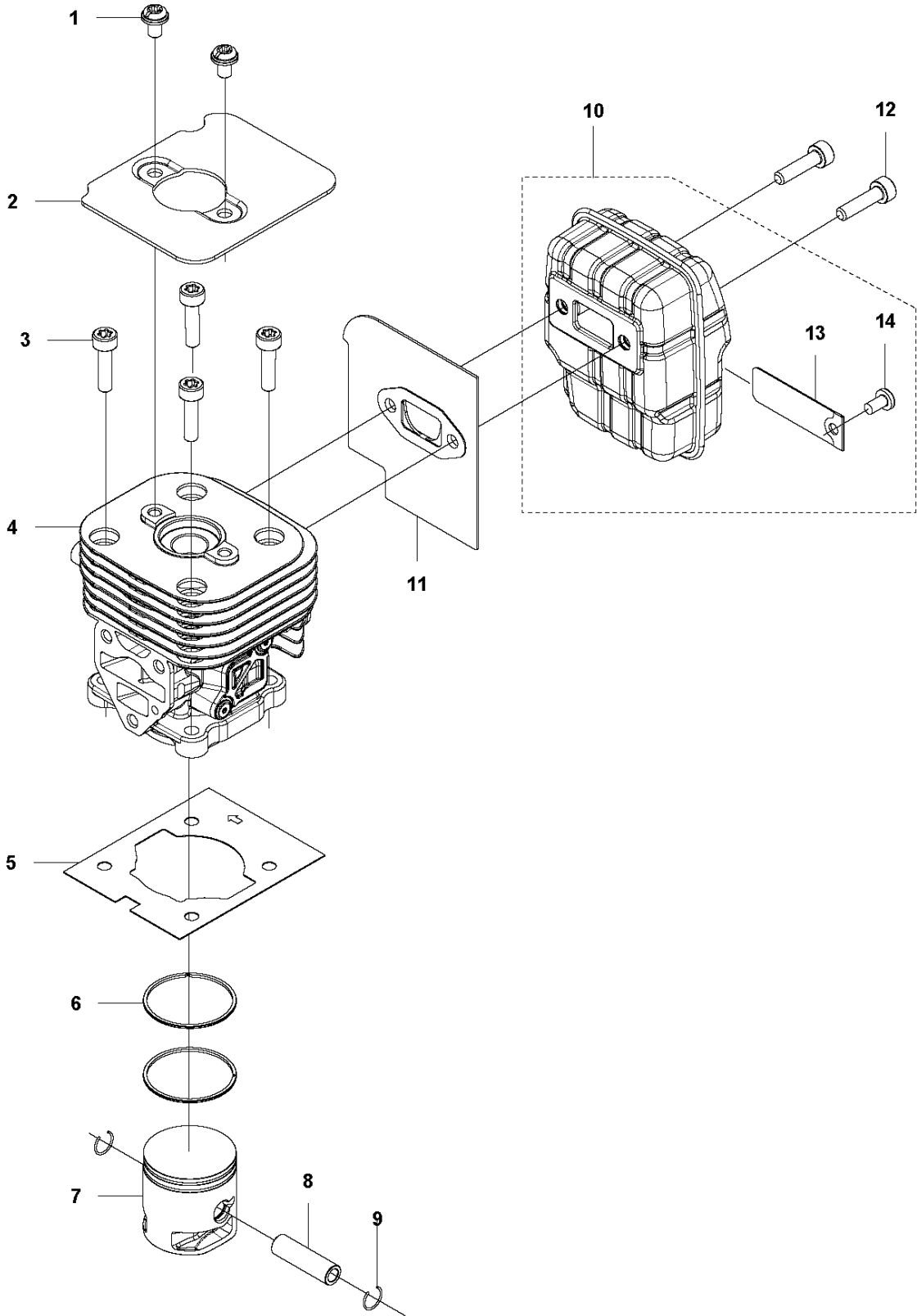


SHAFT

525 P5S

Ref	Part No	Description	Remark	QTY KIT	
1	576 28 26-01	CLAMPING SLEEVE ASSY		1	
2	525 75 51-04	SCREW ITXSCFM		2	1
3	576 28 24-01	KNOB		1	1
4	725 23 76-51	SCREW EHHM		1	1
5	537 24 51-01	SPACER		1	
6	587 96 75-02	TUBE ASSY	Ø=24 mm L=1650 mm	1	
7	587 97 21-02	TUBE ASSY	Ø=24 mm L=1100 mm	1	
8	503 78 52-02	SUPPORTING BEARING		1	7
9	587 41 46-01	PLUG		1	7
11	587 41 17-02	DRIVE SHAFT	Ø=7 mm L=1114 mm	1	7
12	735 58 08-10	LOCKWASHER		1	7
13	581 16 17-03	DRIVE SHAFT			
16	537 27 29-01	COMPRESSION SLEEVE		1	
17	586 44 30-02	SCREW ITXSCFT		2	
18	537 24 68-02	PIPE	Ø=30 mm L=1230 mm	1	
19	537 27 29-01	COMPRESSION SLEEVE		1	
21	586 44 30-02	SCREW ITXSCFT		2	
24	585 94 40-01	DECAL		1	
26	504 70 21-01	LOOP		1	31
27	725 23 79-51	SCREW EHHM		1	31
28	502 20 38-01	KNOB		1	31
29	504 69 87-01	SPACING BLOCK		1	31
30	502 19 71-01	SQUARE NUT		1	31
31	522 42 70-01	ACCESSORY BAG		1	
32	583 93 83-01	CLIP		1	
33	522 92 86-02	LABEL		1	

K 525P5S, 525P4S
CYLINDER PISTON & MUFFLER

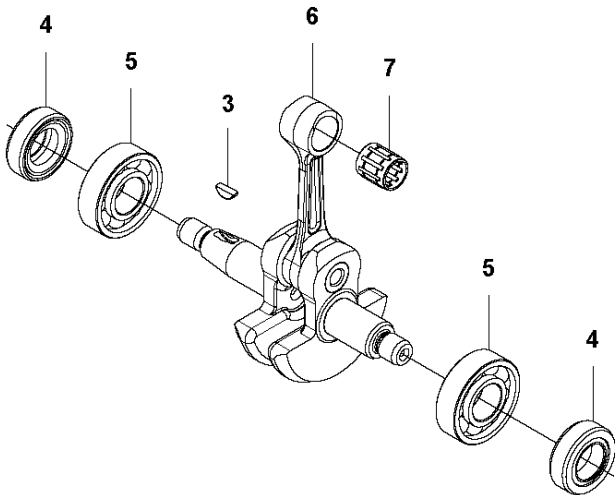
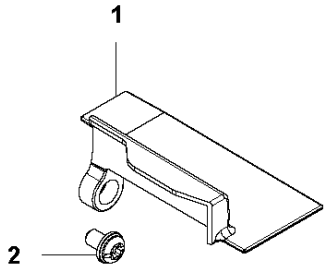


CYLINDER, PISTON & MUFFLER

525 P5S

Ref	Part No	Description	Remark	QTY	KIT
1	544 25 68-01	SCREW		2	
2	578 78 53-01	PLATE		1	
3	504 11 43-01	SCREW		4	
4	577 97 90-01	CYLINDER		1	
5	576 39 87-02	GASKET		1	
6	506 61 81-01	RING		2	
7	577 91 74-01	PISTON		1	
8	505 04 07-01	PIN		1	
9	505 04 52-01	RING		2	
10	585 24 86-01	MUFFLER		1	
10	580 52 36-01	MUFFLER ASSY	USA	1	
10	585 03 29-01	MUFFLER ASSY	Australia / New Zealand	1	
11	578 40 81-01	GASKET		1	
12	504 11 43-01	SCREW		2	
13	580 51 44-01	SPARK ARRESTER		1	10
14	729 57 74-05	SCREW CRPANT		1	10

L 525P5S, 525P4S
CRANKSHAFT

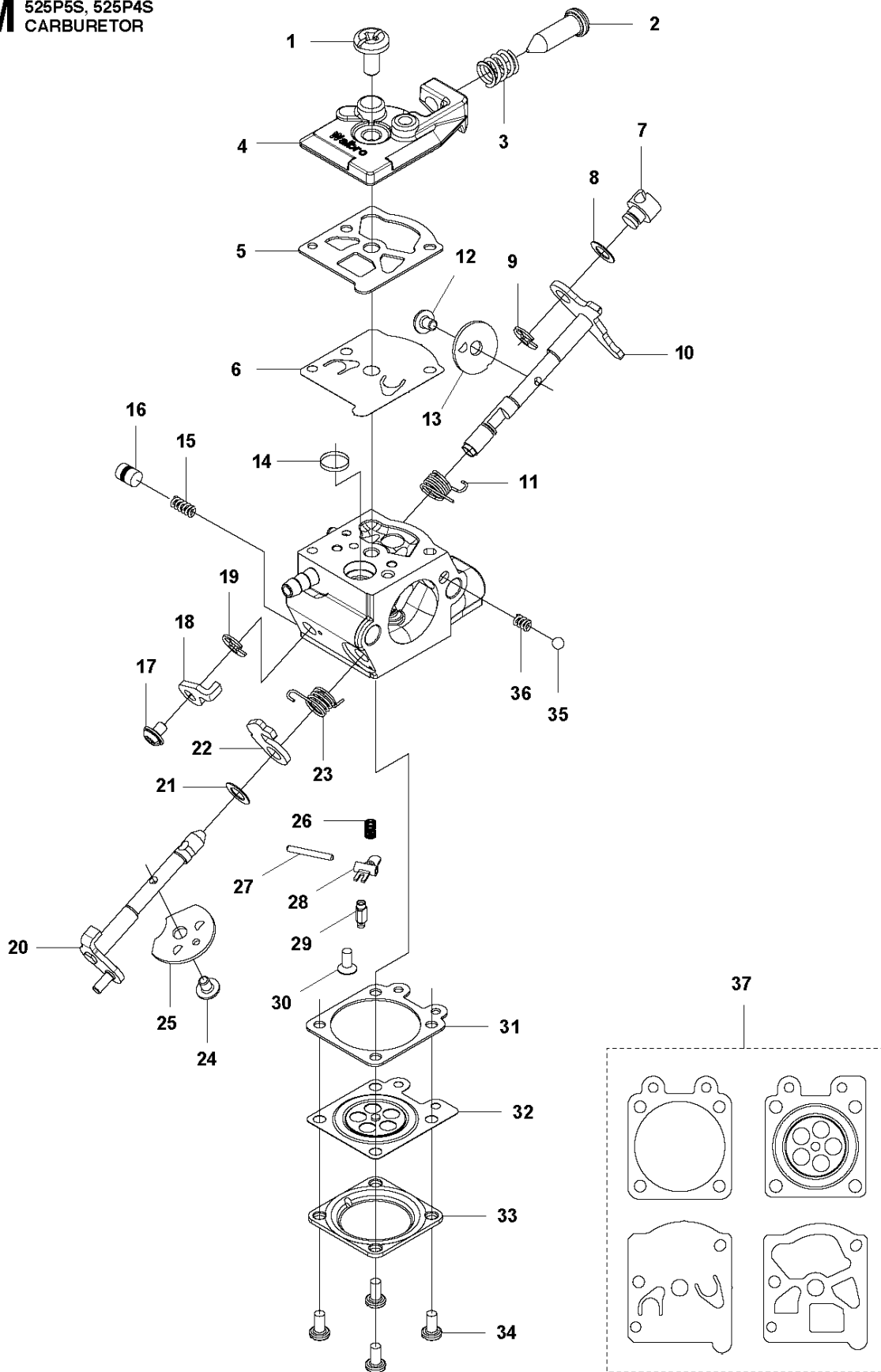


CRANKSHAFT

525 P5S

Ref	Part No	Description	Remark	QTY KIT
1	576 40 46-01	MUFFLER		1
2	544 25 68-01	SCREW		1
3	506 68 94-01	KEY		1
4	504 12 15-01	SEALING		2
5	506 61 03-01	BEARING		2
6	579 22 32-01	CRANKSHAFT		1
7	576 40 27-01	BEARING		1

M 525P5S, 525P4S
CARBURETOR

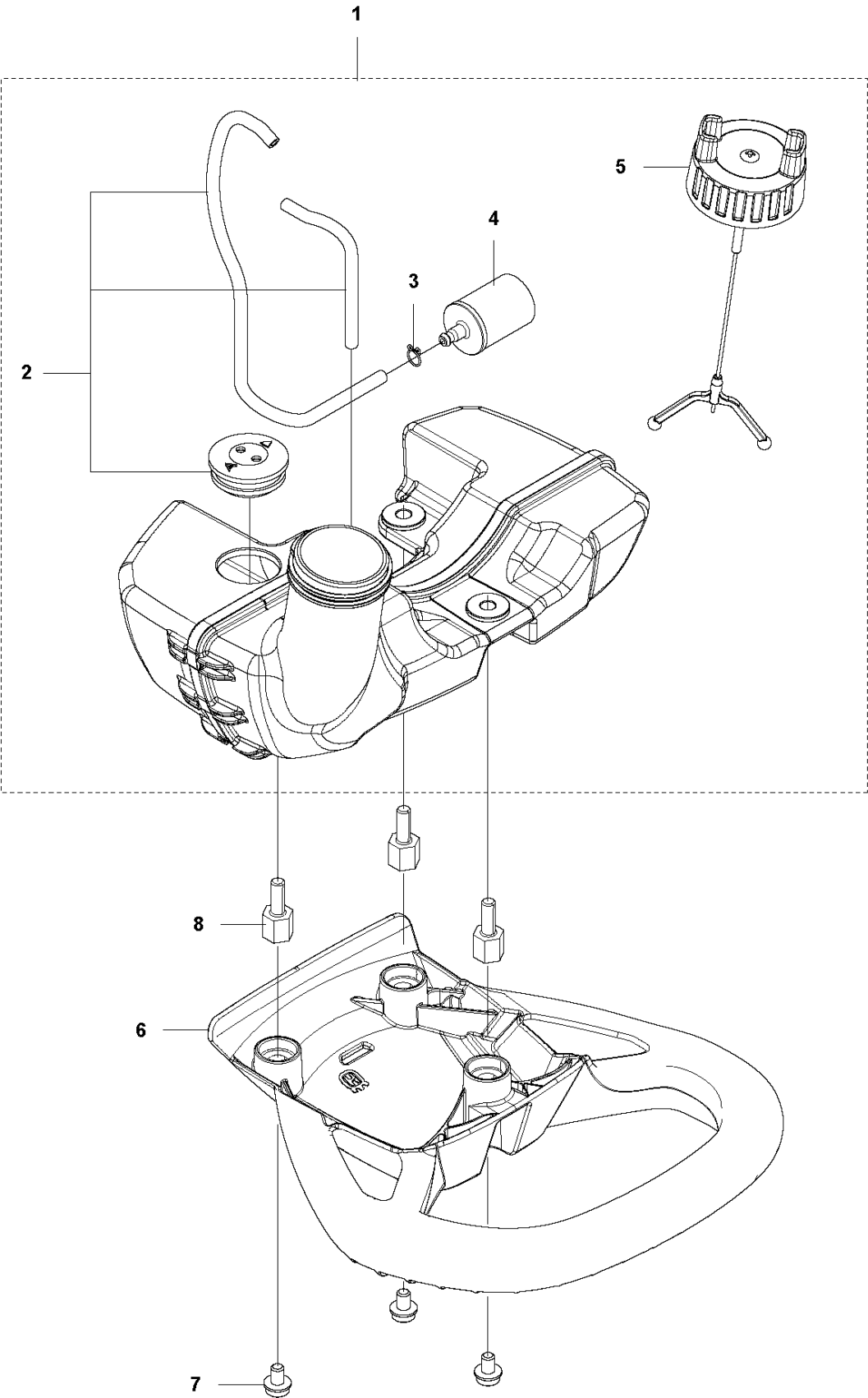


CARBURETOR

525 P5S

Ref	Part No	Description	Remark	QTY KIT
1	520 97 63-01	SCREW		1
2	577 81 57-01	SCREW		1
3	513 59 32-01	SPRING		1
4	579 19 06-01	COVER		1
5	520 95 48-01	GASKET		1
6	502 21 36-01	DIAPHRAGM PUMP		1
7	513 40 08-01	SWIVEL		1
8	516 52 42-01	WASHER		1
9	506 73 86-01	RETAINER RING		1
10	579 19 07-01	SHAFT		1
11	577 81 55-01	SPRING		1
12	520 75 98-01	SCREW		1
13	520 97 86-01	VALVE		1
14	520 95 70-01	SCREEN		1
15	505 05 79-01	SPRING		1
16	584 90 12-01	PISTON ASSY		1
17	520 75 98-01	SCREW		1
18	579 19 08-01	LEVER		1
19	505 05 65-01	RING		1
20	579 19 10-01	SHAFT		1
21	516 52 42-01	WASHER		1
22	584 90 13-01	LEVER		1
23	579 19 11-01	SPRING		1
24	520 75 98-01	SCREW		1
25	581 15 49-01	VALVE		1
26	578 89 54-01	SPRING		1
27	520 97 74-01	PIN		1
28	577 80 72-01	LEVER		1
29	521 08 54-01	VALVE.INLET		1
30	577 80 71-01	SCREW		1
31	516 97 21-01	GASKET		1
32	577 80 70-01	DIAPHRAGM		1
33	514 18 92-01	COVER		1
34	520 97 88-01	SCREW ASSY		4
35	514 24 26-01	BALL		1
36	514 24 33-01	SPRING.CHOKE		1
37	580 68 48-01	GASKET KIT	Coomopes by item 5, 6, 31 and 32	1

H 525P5S, 525P4S
FUEL TANK

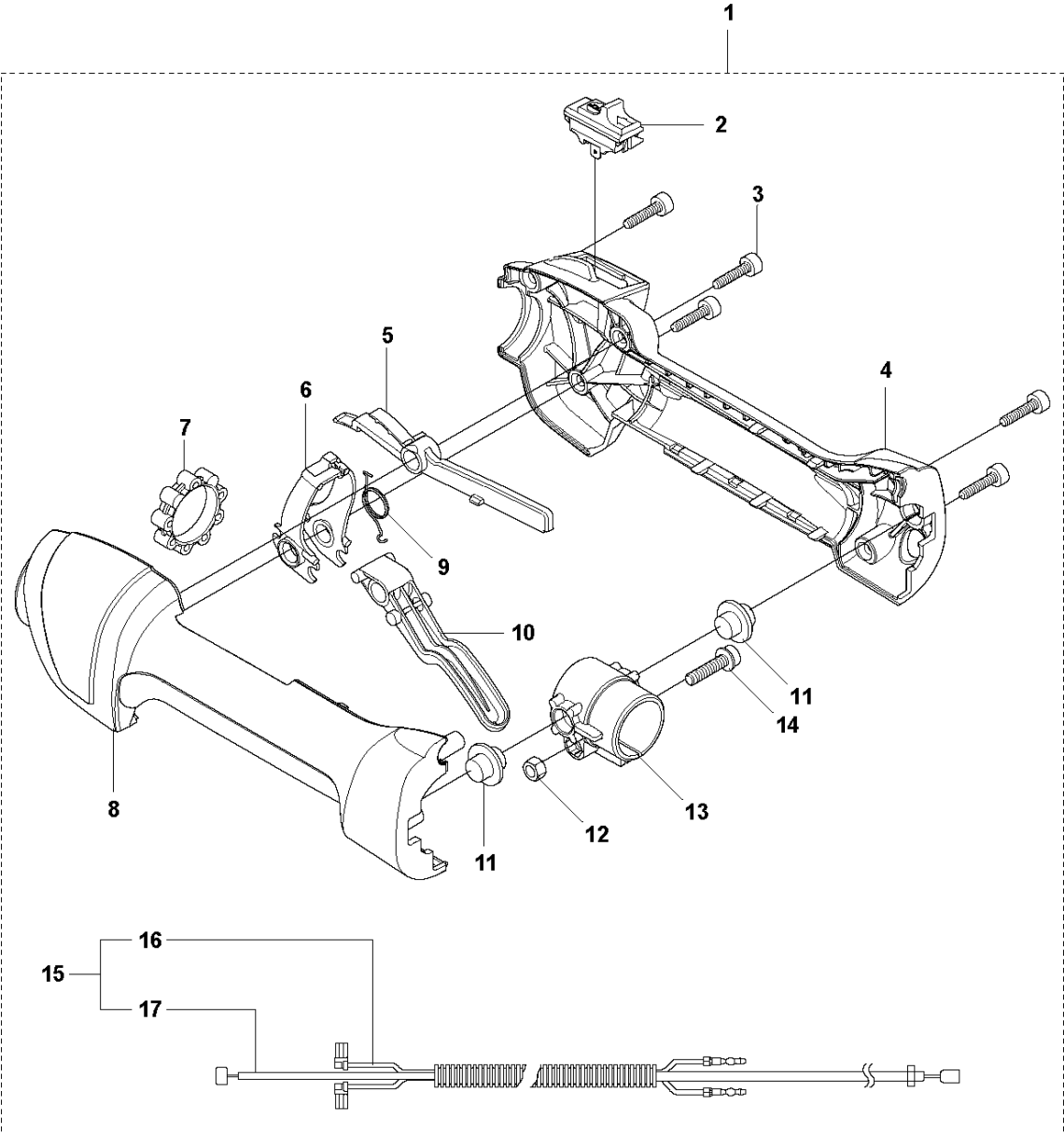


FUEL TANK

525 P5S

Ref	Part No	Description	Remark	QTY	KIT
1	576 40 51-01	FUEL TANK		1	
1	576 40 51-02	FUEL TANK	Australia / New Zealand	1	
2	579 21 03-02	HOSE ASSY		1	1
2	577 50 99-03	PIPE	Australia / New Zealand	1	
3	506 70 70-01	CLIP		1	1
4	503 44 32-01	FUEL FILTER		1	1
5	579 64 57-03	TANK CAP		1	1
6	587 36 59-01	BUMPER		1	
7	525 75 51-08	SCREW ITXSCFM		3	
8	587 61 56-01	STUD SCREW		3	

C 525P5S, 525P4S
THROTTLE CONTROLS

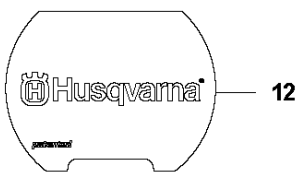
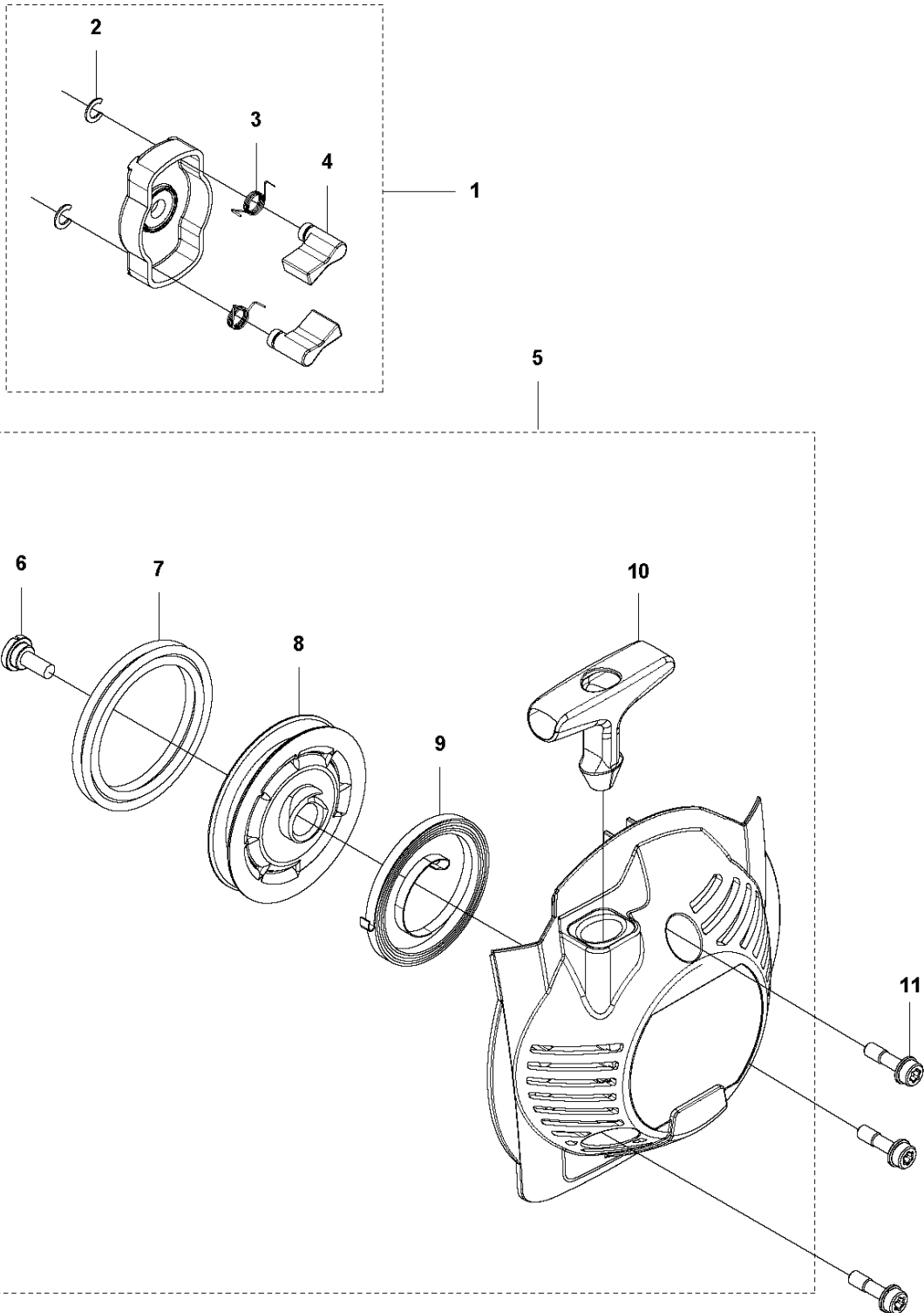


THROTTLE CONTROLS

525 P5S

Ref	Part No	Description	Remark	QTY	KIT
1	578 27 95-01	THROTTLE CONTROL	L, LS, LST, RJX	1	
1	578 27 95-02	THROTTLE CONTROL	LK, RJD, (LST Australia)	1	
2	537 41 90-01	SWITCH		1	1
3	575 96 05-01	SCREW IH SCT		5	1
4	544 23 84-01	HANDLE HALF	L, LS, LST, RJX	1	1
4	544 10 02-02	HANDLE HALF	LK, RJD, (LST Australia)	1	1
5	503 87 80-01	THROTTLE LOCKOUT		1	1
6	503 91 81-01	THROTTLE LEVER		1	1
7	503 96 14-01	ABSORBER		1	1
8	544 23 85-01	HANDLE HALF	L, LS, LST, RJX	1	1
8	544 10 03-02	HANDLE HALF	LK, RJD, (LST Australia)	1	1
9	544 10 08-01	RECOIL SPRING		1	1
10	503 87 79-03	THROTTLE TRIGGER		1	1
11	544 10 17-03	DAMPER	L, LS, LST, RJX	2	1
11	544 10 17-02	DAMPER	LK, RJD, (LST Australia)	2	1
12	731 23 14-01	HEXAGON NUT		1	1
13	544 11 21-01	RETAINER		1	1
14	506 68 90-01	BOLT		1	1
15	578 27 96-01	WIRING		1	1
16	502 53 16-01	SHORT CIRCUIT CABLE		1	1, 15
17	578 86 78-01	THROTTLE CABLE		1	1, 15

F 525P5S, 525P4S
STARTER

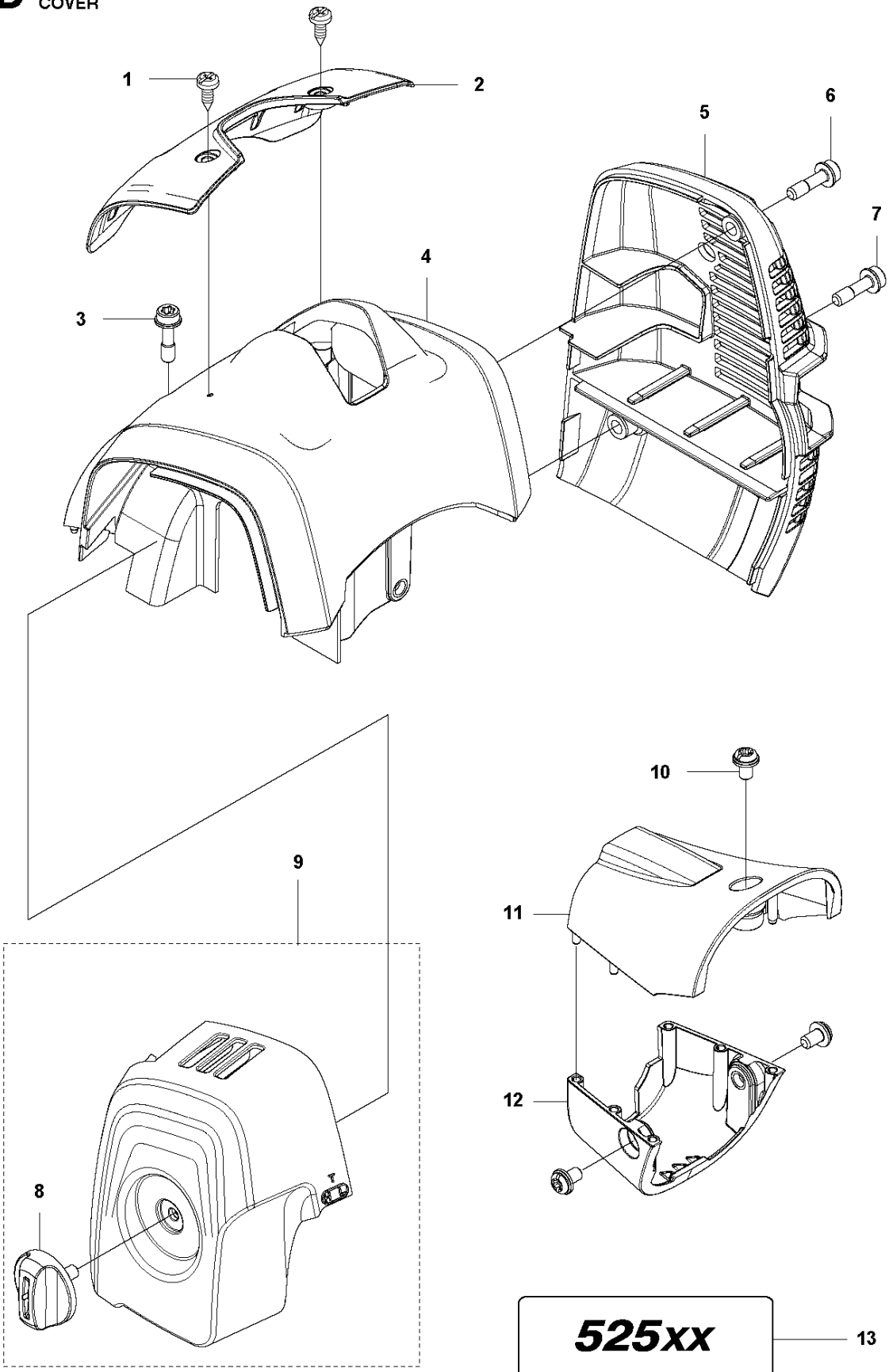


STARTER

525 P5S

Ref	Part No	Description	Remark	QTY	KIT
1	581 14 65-01	STARTER PULLEY		1	
2	521 60 04-01	E-RING		2	1
3	521 60 03-01	SPRING		2	1
4	521 60 02-01	RATCHET		2	1
5	578 99 25-01	STARTER		1	
6	506 61 30-01	SCREW		1	5
7	579 06 46-01	ROPE		1	5
8	579 06 48-01	STARTER PULLEY		1	5
9	504 11 50-01	SPIRAL SPRING		1	5
10	575 48 95-01	STARTER HANDLE		1	5
11	577 81 54-01	BOLT		3	
12	579 36 96-01	DECAL		1	

D 525P5S, 525P4S
COVER



525xx

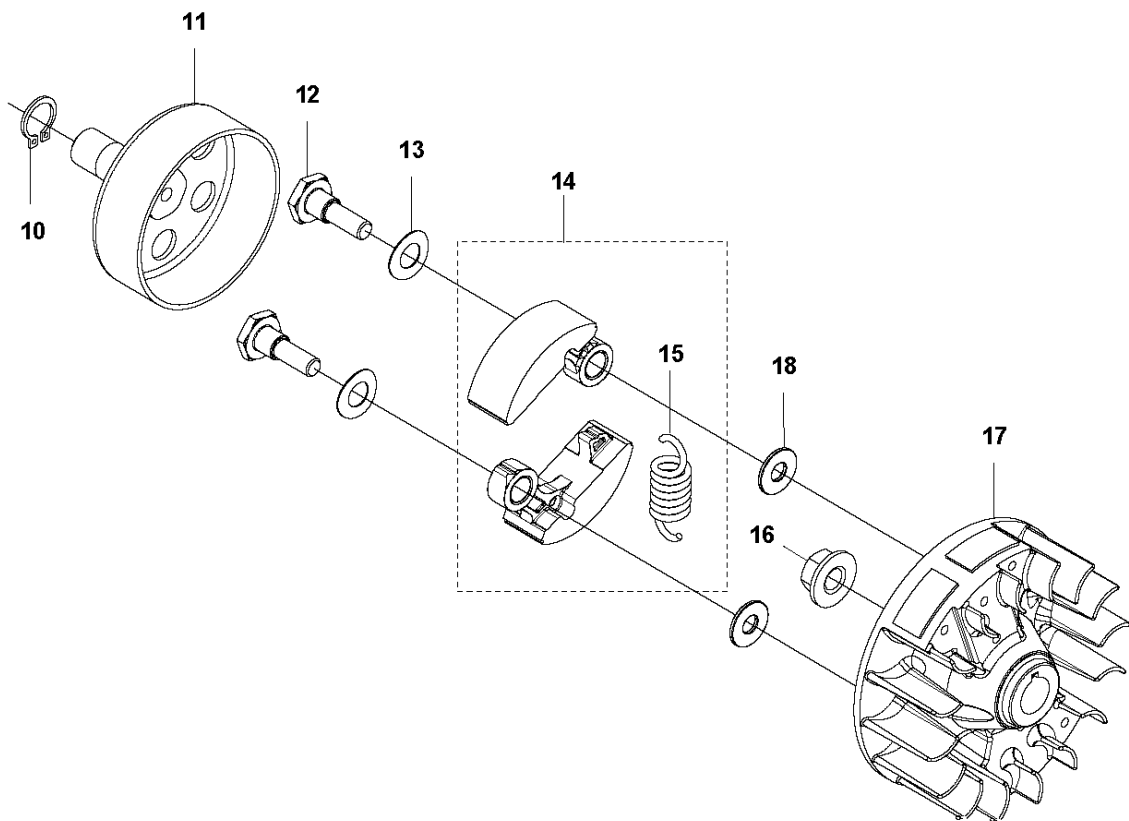
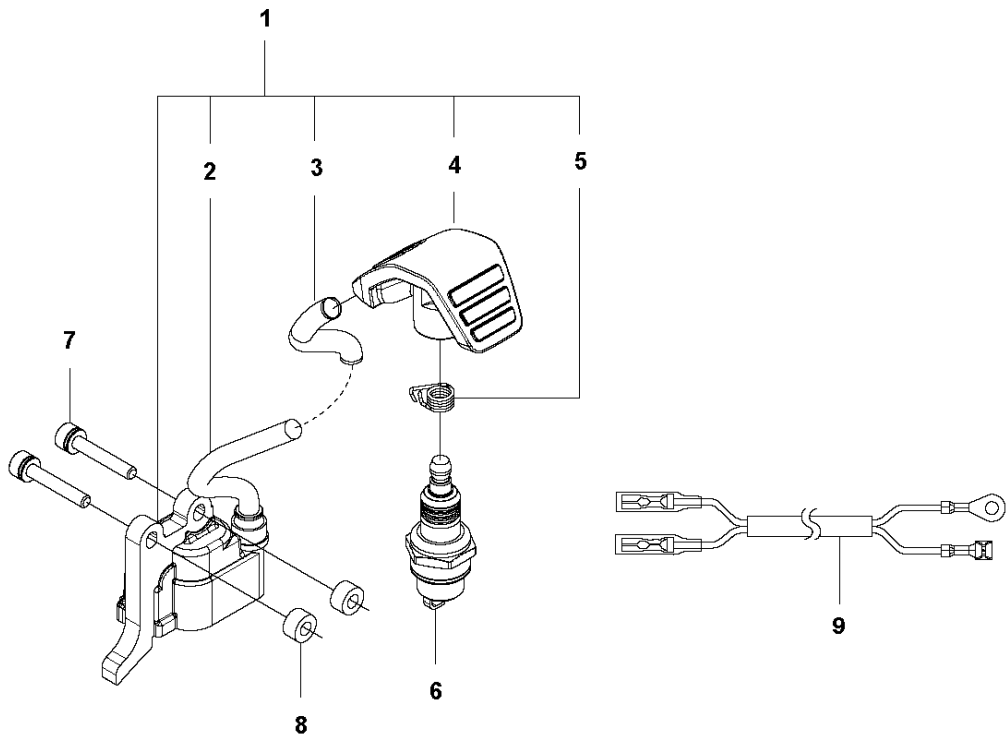
13

COVER

525 P5S

Ref	Part No	Description	Remark	QTY	KIT
1	503 21 35-12	SCREW CCRPANT		2	
2	576 40 45-01	ARM PROTECTION		1	
3	577 81 54-01	BOLT		1	
4	592 81 09-01	CYLINDER COVER		1	
5	576 40 47-01	MUFFLER GUARD		1	
6	577 81 54-01	BOLT		1	
7	577 81 54-01	BOLT		1	
8	576 99 24-02	KNOB		1	9
9	581 04 73-01	FILTER COVER ASSY		1	
10	544 25 68-01	SCREW		3	
11	577 84 82-01	COVER	524L, 525L, LS, LST, RJD	1	
11	577 85 11-01	COVER	RS	1	
12	577 84 81-01	COVER	524L, 525L, LS, LST, RJD	1	
12	577 85 10-01	COVER	RS	1	
13	579 44 58-06	DECAL	525L	1	

J 525P5S, 525P4S
IGNITION SYSTEM & CLUTCH



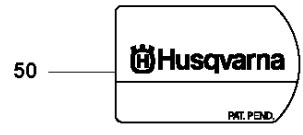
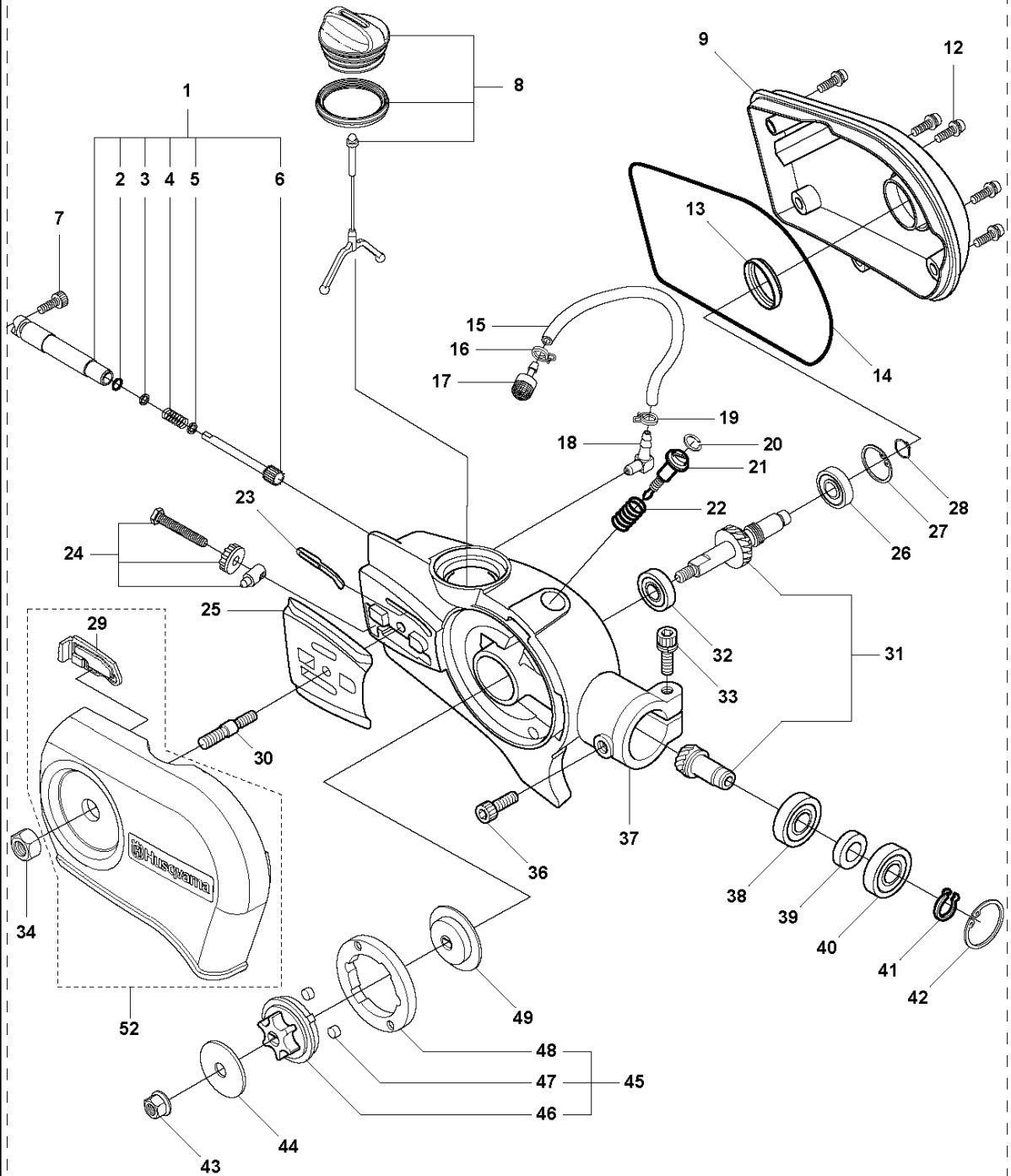
IGNITION SYSTEM & CLUTCH

525 P5S

Ref	Part No	Description	Remark	QTY	KIT
1	588 14 15-01	IGNITION COIL		1	
2	584 82 66-01	IGNITION CABLE		1	1
3	579 59 07-01	TUBE		1	1
4	586 10 72-01	SPARK PLUG CAP		1	1
5	580 63 48-01	SPRING		1	1
6	584 96 81-01	SPARK PLUG	BPMR-8Y : NGK	1	
7	521 51 58-01	BOLT		2	
8	521 76 97-01	SPACER		2	
9	577 85 17-01	SHORT CIRCUIT CABLE		1	
10	516 12 41-01	SNAP RING		1	
11	581 14 20-01	CLUTCH DRUM		1	
12	513 18 96-01	SCREW		2	
13	521 75 82-01	WASHER		2	
14	577 05 28-01	CLUTCH ASSY		1	
15	576 40 07-01	CLUTCH SPRING		1	14
16	504 11 80-01	NUT		1	
17	578 96 78-01	FLYWHEEL		1	
18	505 05 44-01	WASHER		2	

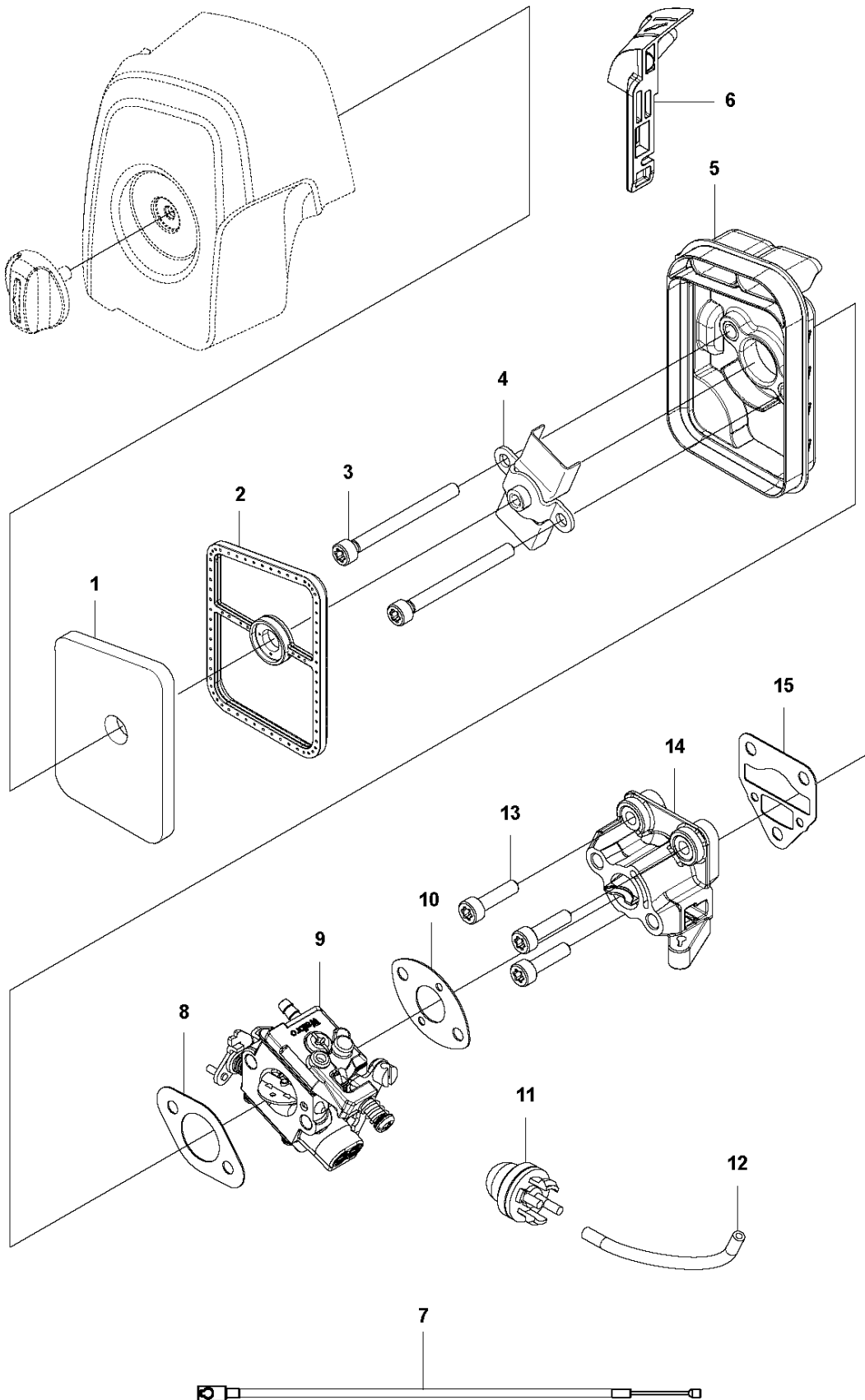
A 525P5S, 525P4S
SAW HEAD

53



Ref	Part No	Description	Remark	QTY	KIT
1	537 29 92-01	OIL PUMP ASSY		1	53
2	740 42 03-00	O-RING		1	53
3	503 23 00-16	WASHER		1	53
4	503 18 49-03	SPRING		1	53
5	503 23 00-16	WASHER		1	53
6	503 80 83-02	PUMP PISTON		1	53
7	725 53 27-55	SCREW IHSCM		1	53
8	537 28 15-02	TANK CAP ASSY		1	53
9	593 62 04-01	CAP ASSY		1	53
12	725 53 29-55	SCREW IHSCM		5	53
13	537 33 01-01	SEALING		1	53
14	537 29 10-01	O-RING		1	53
15	537 29 11-01	HOSE		1	53
16	537 37 15-01	HOSE CLAMP		1	53
17	504 71 00-03	OIL PLUMMET		1	53
18	504 34 00-04	FITTING		1	53
19	537 37 15-01	HOSE CLAMP		1	53
20	537 29 09-01	CIRCLIP		1	53
21	537 05 68-01	ADJUSTER		1	53
22	503 97 82-01	SPRING		1	53
23	537 33 17-01	OIL DUCT		1	53
24	537 22 82-01	CHAIN TENSIONER		1	53
25	537 19 42-01	CHAIN GUIDE PLATE		1	53
26	738 21 00-04	BALL BEARING		1	53
27	735 31 27-10	CIRCLIP		1	53
28	735 31 12-00	CIRCLIP		1	53
29	575 55 37-01	SEALING PLATE		1	52, 53
30	576 29 30-01	BAR BOLT	M7-M8	1	53
31	537 29 90-01	GEAR WHEEL KIT		1	53
32	738 21 99-04	BALL BEARING		1	53
33	725 53 33-55	SCREW IHSCM		1	53
34	731 23 18-01	HEXAGON NUT		1	53
36	725 53 27-55	SCREW IHSCM		1	53
37	537 22 74-01	HOUSING		1	53
38	738 21 99-04	BALL BEARING		1	53
39	537 24 77-01	SPACER		1	53
40	738 21 99-04	BALL BEARING		1	53
41	735 31 11-00	CIRCLIP		1	53
42	735 31 25-10	CIRCLIP		1	53
43	731 71 16-51	HEXAGON NUT FLANGE		1	53
44	503 23 00-68	WASHER		1	53
45	537 27 18-01	FLYWHEEL		1	53
46	537 27 15-01	HUB		1	53
47	537 27 17-01	BUSHING		2	53
48	537 27 14-01	RING		1	53
49	537 27 16-01	HUB CAP		1	53
50	537 23 00-01	LABEL		1	
52	575 54 18-01	CHAIN GUARD		1	53
53	537 24 71-03	CUTTING HEAD ASSY		1	

E 525P5S, 525P4S
CARBURETOR & AIR FILTER

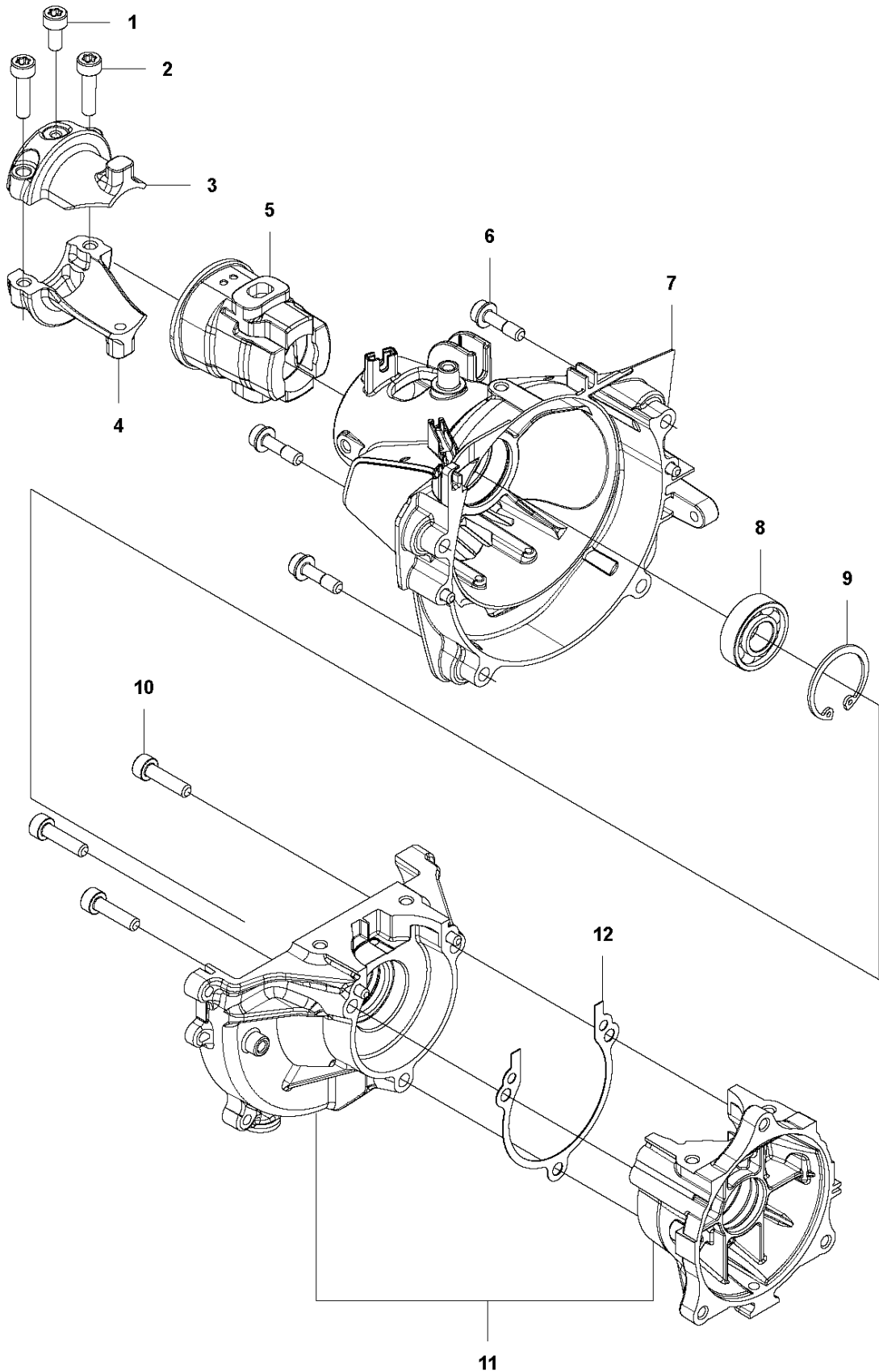


CARBURETOR & AIR FILTER

525 P5S

Ref	Part No	Description	Remark	QTY KIT
1	581 04 74-01	AIR FILTER		1
2	581 45 18-01	AIR FILTER		1
3	580 46 72-01	BOLT		2
4	580 43 79-01	PLATE		1
5	581 04 70-01	FILTER HOUSING		1
6	577 84 83-01	CHOKE CONTROL		1
7	590 90 00-01	THROTTLE CABLE		1
8	577 88 24-02	GASKET		1
9	584 90 14-01	CARBURETTOR		1
10	576 39 91-02	GASKET		1
11	503 93 66-01	PURGE		1
12	577 05 05-01	PIPE		1
13	504 11 43-01	SCREW		3
14	578 90 83-01	INSULATOR		1
15	576 39 89-01	GASKET		1

G 525P5S, 525P4S
CRANKCASE



CRANKCASE

525 P5S

Ref	Part No	Description	Remark	QTY KIT
1	525 82 49-14	SCREW ITXSCM		1
2	577 94 20-01	BOLT		2
3	576 42 07-02	BRACKET		1
4	576 42 08-02	BRACKET		1
5	576 42 05-01	CUSHION		1
6	577 81 54-01	BOLT		4
7	588 56 77-01	HOUSING		1
8	525 95 32-01	BEARING		1
9	506 60 99-01	SNAP RING		1
10	504 11 43-01	SCREW		3
11	581 30 86-02	CRANKCASE		1
12	576 39 95-02	GASKET		1

Illustrated Parts List - IPL Update



Product Name(s)

525P5S

Description of change

Plug, valve and hub cap will not be sold separately, but be delivered as an assy, Cap assy 593 62 04-01. Because of this update, Cutting head assy was changed from -02 to -03.

Comments

Backward compatible

Introduced from

Serial number / Date	Remark

IPL updates

Page title	Ref. no	New part no	Name	Excl. part no.	Remark
Saw head	9	N/A	Hub cap	537 22 75-01	Removed
Saw head	11	N/A	Plug	503 98 13-01	Removed
Saw head	10	N/A	Valve	537 04 03-01	Removed
Saw head	9	593 62 04-01	Cap assy		New assembly. Including valve, plug and hub cap.
Saw head	53	537 24 71-03	Cutting head assy	537 24 71-02	