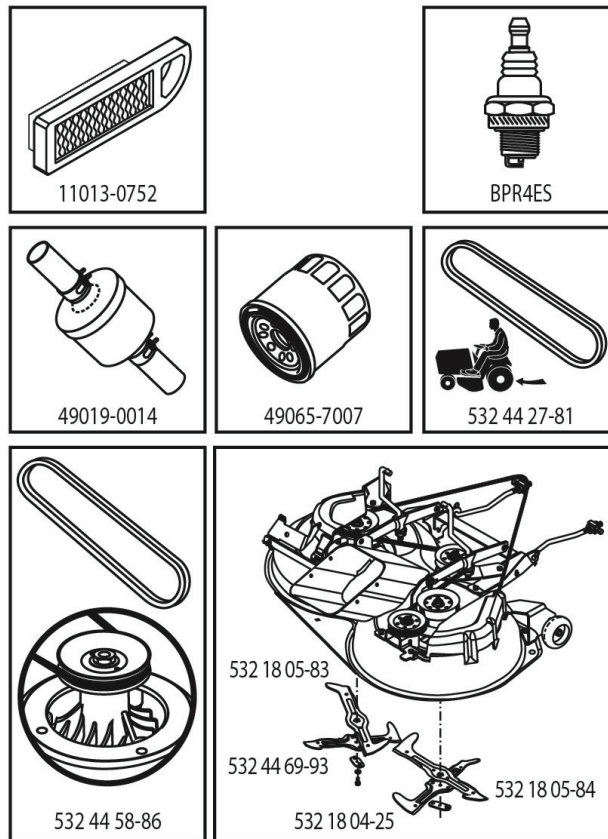


ILLUSTRATED PARTS LIST

MFG. ID NO. 96051014800

CUSTOMER CATALOG NO. TC 342T

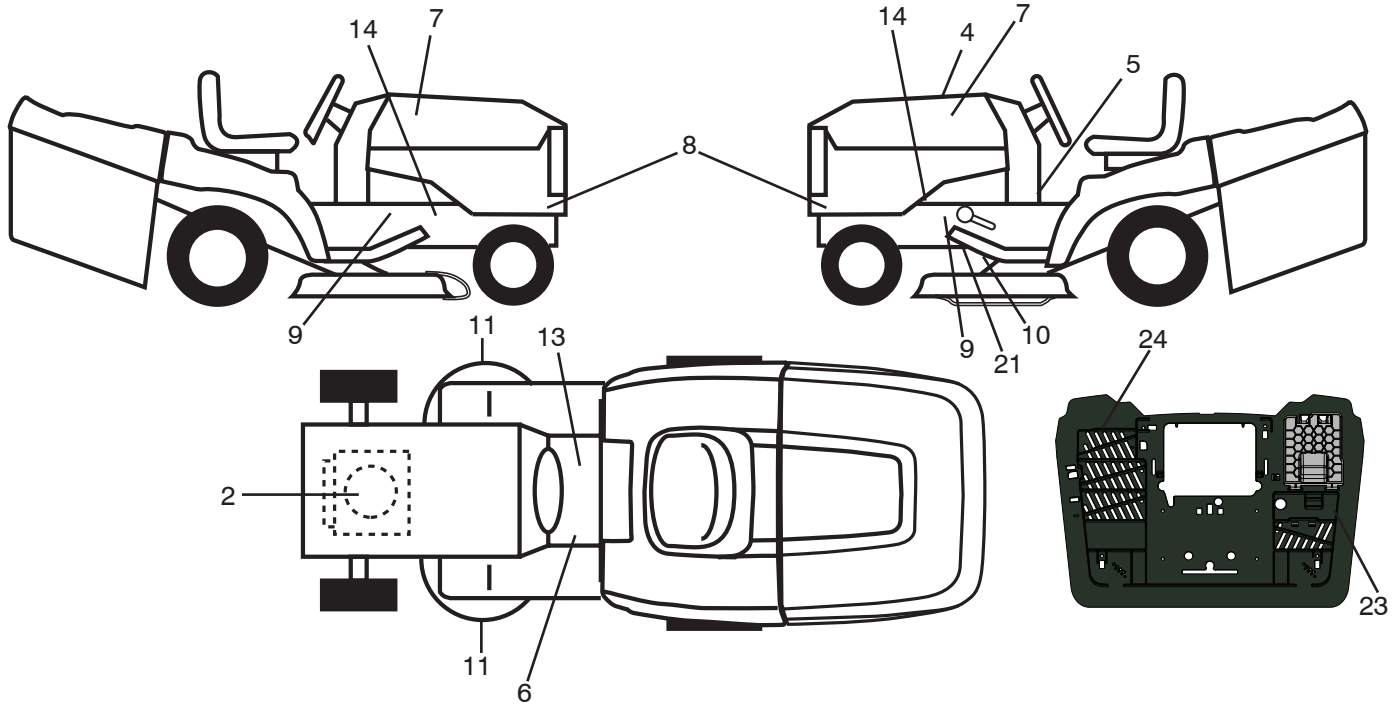
PRODUCT NO. 960 51 01-48



47

589494301

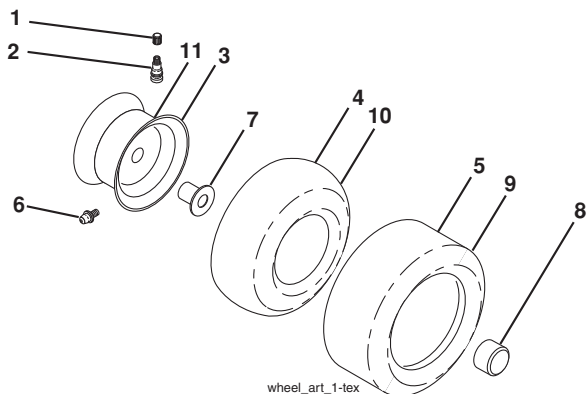
**TRACTOR - MODEL NO. TC 342T (96051014800), PRODUCT NO. 960 51 01-48
DECALS 27**



KEY NO.	PART NO.	DESCRIPTION
2	581 57 97-01	Decal, Warning Eng.
4	589 49 43-01	Decal, Replacement
5	581 57 84-01	Decal, Lower Dash
6	581 57 83-01	Decal, Warning
7	581 62 73-01	Decal, Hood
8	589 51 47-01	Decal, Side Panel
9	581 57 98-01	Decal, Warning
10	532 41 86-00	Decal, Pedal
11	581 57 91-01	Decal, Mower Cut Finger Symbol
13	586 80 03-01	Decal, Tractor Saddle
14	581 57 96-01	Decal, Chassis Hot Muffler

KEY NO.	PART NO.	DESCRIPTION
21	532 44 11-89	Decal, Belt Schematic
23	532 44 46-19	Decal, Bypass
24	532 44 54-93	Decal, Warning Combined
--	532 44 14-09	Pad Footrest LH
--	532 44 14-10	Pad Footrest RH
--	115 85 88-20	Manual Operator's (Euro)
--	115 85 90-10	Manual Operator's (Scan)
--	115 85 89-50	Manual Operator's (E-Bloc)
--	115 85 91-40	Manual Operator's (Baltic)

WHEELS AND TIRES



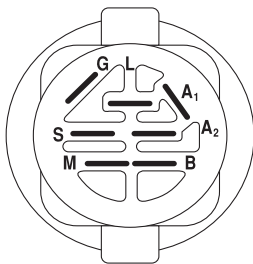
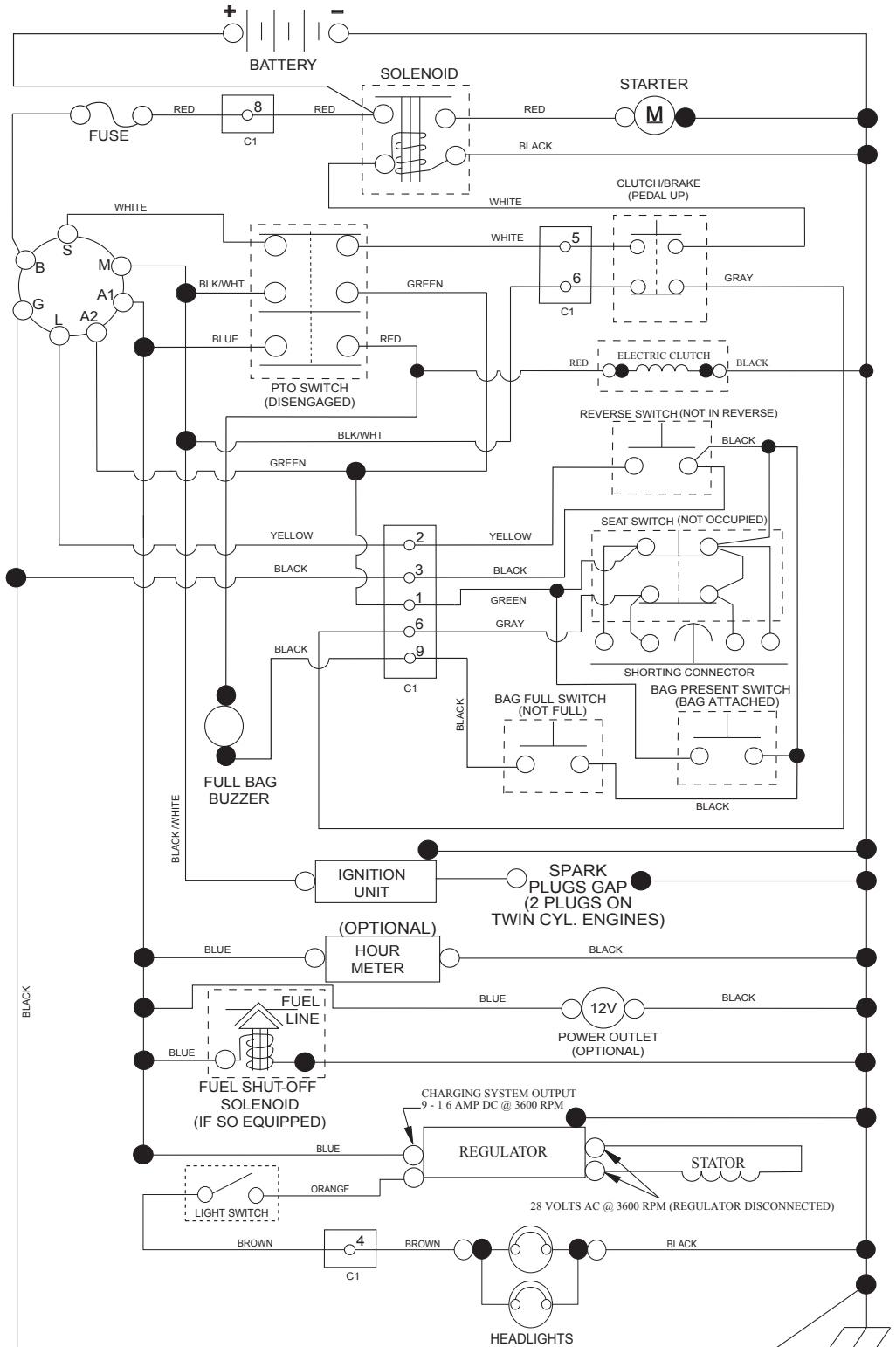
KEY NO.	PART NO.	DESCRIPTION
1	532 05 91-92	Cap Valve Tire
2	532 06 51-39	Stem Valve
3	532 13 83-36	Rim Front
4	532 05 99-04	Tube Front (Service Item Only)
5	532 17 04-55	Tire Front 15 x 6-6
6	532 12 49-57	Fitting Grease (Front Wheel Only)
7	532 12 49-59	Bearing Flange (Front Wheel Only)
8	532 17 50-39	Cap Axle Blk 1 50 x 1 00
9	588 69 19-01	Tire Rear 18 x 9.5-8
10	532 12 49-26	Tube Rear (Service Item Only)
11	532 13 83-37	Rim Asm 8" Rear
--	532 14 43-34	Sealant, Tire (10 oz. Tube)

NOTE: All component dimensions given in U.S. inches
1 inch = 25.4 mm

TRACTOR - MODEL NO. TC 342T (96051014800), PRODUCT NO. 960 51 01-48

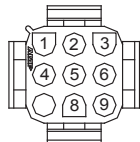
SCHEMATIC **38**

SCH19

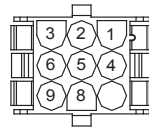


IGNITION SWITCH

POSITION	CIRCUIT	"MAKE"
OFF	M+G+A1	
RUN/OVERRIDE	B+A1	
RUN	B+A1	L+A2
START	B + S + A1	



CHASSIS HARNESS CONNECTOR (C1) (MATING SIDE)



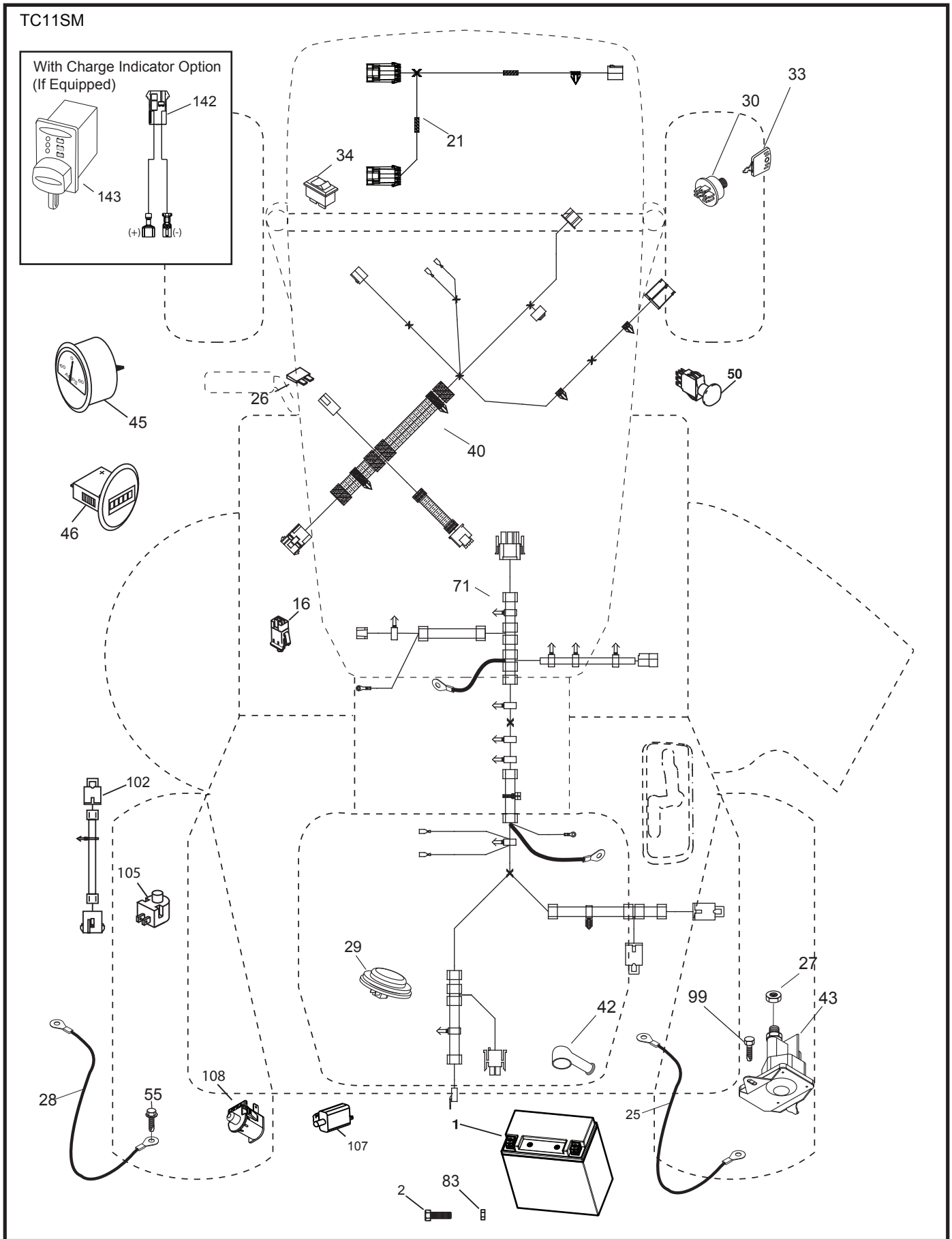
DASH HARNESS CONNECTOR (C1) (MATING SIDE)

WIRING INSULATED CLIPS
NOTE: IF WIRING INSULATED CLIPS WERE REMOVED FOR SERVICING OF UNIT, THEY SHOULD BE RE-INSTALLED TO PROPERLY SECURE YOUR WIRING.

●
NON-REMOVABLE CONNECTIONS

○
REMOVABLE CONNECTIONS

TRACTOR - MODEL NO. TC 342T (96051014800), PRODUCT NO. 960 51 01-48
ELECTRICAL 32



TRACTOR - MODEL NO. TC 342T (96051014800), PRODUCT NO. 960 51 01-48
ELECTRICAL 32

KEY NO.	PART NO.	DESCRIPTION
1	532 43 71-57	Battery
2	532 44 09-23	Screw Hex Hd Cap M6 x 1.12mm
16	532 17 61-38	Switch Interlock Push-In
21	585 43 64-01	Harness Light
25	589 32 37-01	Cable Batt., 8 Ga., Red 9, CRD
26	532 17 51-58	Fuse
27	873 51 04-00	Nut Keps Hex 1/4-20 unc
28	589 32 36-01	Cable, Batt. BLK10
29	532 40 15-45	Switch, Seat
30	532 19 33-50	Switch, Ign DLTA
33	532 41 19-35	Key/Chain Blisterpack
34	532 11 07-12	Switch, Light Reset
40	587 30 48-01	Harness Ign. Dash
42	532 13 15-63	Cover Terminal, Red
43	582 04 28-01	Solenoid
45	587 55 39-03	Ammeter Guage Round
46	587 55 40-03	Gauge Serviceminder HRMTR
50	582 10 76-01	Switch, PTO 8 Terminal
55	817 06 05-12	Screw Thdrol 5/16-18 x 3/4 TYTT
71	532 44 08-20	Harness Ignition Chassis
83	532 43 67-74	Nut Square M6 x 1.8.5 x 11mm
99	817 67 04-12	Screw, Hex Wsh, THDROL 1/4-20 x 3/4
102	532 44 12-62	Harness Jumper
105	532 40 75-68	Switch Reverse
107	532 18 03-79	Switch Full Bagger
108	589 50 03-01	Switch Snapmount
142	583 85 78-01	Charge Port Pigtail
143	532 44 80-59	Charge Port

NOTE: All component dimensions given in U.S. inches
1 inch = 25.4 mm

TRACTOR - MODEL NO. TC 342T (96051014800), PRODUCT NO. 960 51 01-48
CHASSIS AND ENCLOSURES 39

KEY NO.	PART NO.	DESCRIPTION	KEY NO.	PART NO.	DESCRIPTION
3	532 44 44-81	Applique	246	582 05 20-01	Spring TCRD Gen 2.5 Bagger Ext
5	501 74 71-01	Dash	247	582 55 26-02	Strap Battery TCRD Gen 2.5 x .431
14	532 44 11-77	Hood	248	872 11 05-04	Bolt Carr. 5/16 unc x 1/2
15	585 42 03-01	Lens LH	249	586 93 60-01	Screw Button 10-24 x 1/2 PTCHD
18	587 52 34-01	Grille	250	539 97 69-77	Nut #10-24 Hex, Nylon Ring ZD
25	585 42 02-01	Lens RH	251	589 31 89-04	Backplate Support Bracket
34	580 91 09-01	Plate Engine	252	581 99 22-04	Backplate Support Bracket
36	817 06 05-12	Screw 5/16-18 x 3/4	253	872 11 04-06	Bolt Carr.
37	532 44 13-69	Fender	254	873 90 04-00	Nut, Hex Flange 1/4-20 unc
52	873 68 05-00	Nut Lock 5/16-18	255	589 39 22-02	Bolt Cross Drilled 3 8/16 x 1.75
57	873 51 04-00	Nut Keps w/insert 1/4-20 unc	256	532 19 70-33	Nut Jam 3/8-16
62	872 11 06-08	Bolt RdHd Sqnk 3/8-16 x 1 Gr. 5	257	589 74 66-02	Bagger Latch Assembly LH
68	817 49 05-08	Screw Thdrol 5/16-18 x 1/2	258	589 74 67-02	Bagger Latch Assembly RH
118	819 13 13-16	Washer 13/32 x 13/16 x 16 Ga.	282	532 41 41-10	Clip Retainer
119	873 68 06-00	Nut Crownlock 3/8-16 unc	283	532 44 72-12	Console Deck Lift LH
124	873 80 04-00	Nut Lock w/insert 1/4-20 unc	284	532 44 72-20	Console Shft RH
130	532 41 63-58	Screw #10 x 0.750	287	817 60 04-06	Screw 1/4-20 x 3/8
137	532 40 75-90	Bumper Dash	296	585 42 05-01	LED Light LH
150	532 43 97-74	Air Duct	297	586 18 29-01	Insert Reflective LH
151	532 43 66-70	Bracket Pivot	299	585 42 04-01	LED Light RH
152	532 43 98-70	Shield Browning	303	587 49 31-02	Shield Chassis French LH
159	817 00 06-12	Screw Hexwsh Thrd 3/8-16 x 3/4	304	587 49 27-02	Shield Chassis French RH
162	532 14 24-32	Screw	307	587 49 45-01	Shield Upper French
175	532 19 63-04	Crossmember	308	532 17 18-77	Bolt 5/16-18 unc x 3/4 w/Sems
176	532 40 07-76	Bushing 10-24 x 5/8	309	582 55 25-02	Backplate
177	532 19 52-28	Bushing Steering	319	581 31 39-07	Lever Bag
180	583 90 27-01	Chassis	334	532 44 25-37	Bracket Engine
182	532 40 68-59	Dash Lower	335	532 44 82-04	Cover RH Lower Close Out
183	874 52 05-20	Bolt 5/16-18 x 1-1/4	336	532 44 53-09	Cover LH Lower Close Out
189	817 00 05-12	Screw 5/16-18 x 3/4	338	532 43 66-40	Bolt Shoulder
191	586 18 28-01	Insert Reflective RH	339	532 43 66-41	Lever Bagger Full
194	873 90 05-00	Nut Lock Hex Flange 5/16-18	340	582 55 27-02	Door Battery
195	532 40 41-37	Plug Hole Dash Lower	341	582 06 08-01	Latch Battery Door Tex CRD
198	532 44 15-52	Indicator Deck Lift	342	532 43 59-38	Supprt Fender
199	532 41 87-39	Plate Deck Lift	343	532 44 07-49	Clip
202	532 43 97-28	Vent Side Hood RH	344	532 43 89-70	Control Ex Mulch Tex/CRD
203	532 43 97-27	Vent Side Hood LH	345	532 44 06-39	Knob, Oval, Tapered 3/8-16 BLK
204	532 44 06-65	Vent Top Hood	347	532 44 28-87	Hitch Tow
205	532 43 97-30	Skirt Hood Side RH	349	532 43 66-06	Bracket Support
206	532 43 97-29	Skirt Hood Side LH	350	532 44 51-43	Clip X-Mas Tree
207	585 42 00-02	Bezel RH	366	581 31 46-02	Bracket RH Front Bagger
208	585 42 01-02	Bezel LH	367	581 31 45-02	Bracket LH Front Bagger
213	874 76 05-12	Bolt 5/16-18 x 3/4	368	581 42 48-01	Shroud Bag Full Lever
214	532 19 91-45	Clip Retainer Tinner	372	539 10 98-00	Carriage Bolt 1/4-20 x 1 Gr. 5
217	532 40 91-67	Rod Pivot	373	586 29 98-03	Backplate Support
218	532 19 63-95	X-Piece Hood Stop	375	586 90 82-01	Dash Clip-On Bumper
228	532 19 51-61	Stud Fastner	--	532 43 18-82	Guard Brush
229	532 44 14-63	Lid Ext			
235	532 40 61-29	Spacer Fender			
236	873 93 05-00	Nut Lock 5/16-18 unc			
241	817 06 05-16	Screw 5/16-18 x 1 SMGML Tap/R			

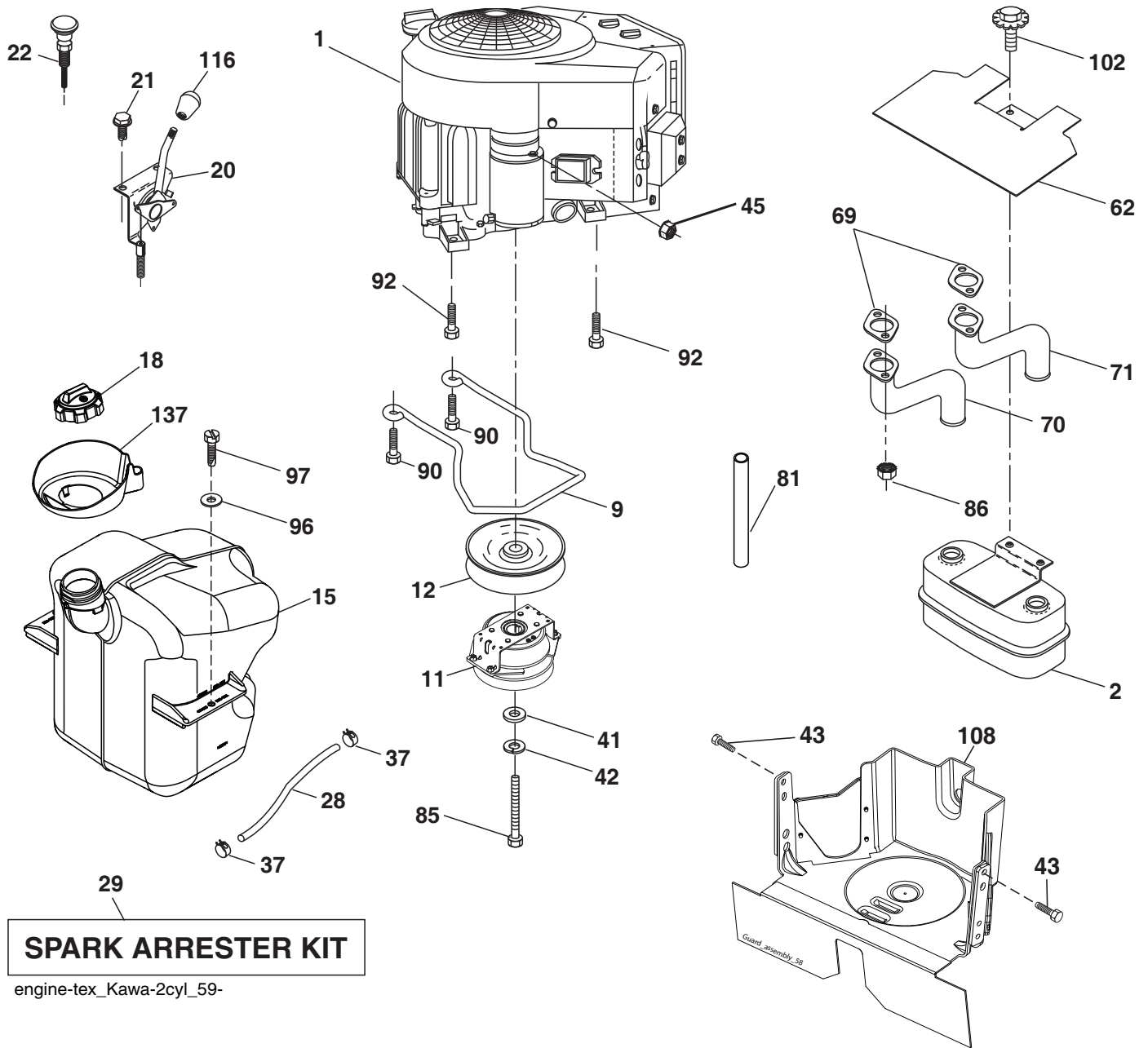
NOTE: All component dimensions given in U.S. inches
1 inch = 25.4 mm

**TRACTOR - MODEL NO. TC 342T (96051014800), PRODUCT NO. 960 51 01-48
DRIVE **40****

KEY NO.	PART NO.	DESCRIPTION	KEY NO.	PART NO.	DESCRIPTION
1	---	Transaxle, Tufftorq K57AH (585743601) (Order parts from transaxle manufacturer.)	197	585 65 86-01	Link Clutch Anti-Rotation
2	532 12 35-83	Key Square	203	819 11 11-16	Washer 11/32 x 11/16 x 16 Ga.
6	532 12 40-28	Bushing Snap	205	532 12 17-48	Washer 25/32 x 1-5/8 x 16 Ga.
17	532 43 62-27	Spring Brake K46	206	532 44 85-96	Bracket Mount Latch Cruise
26	532 19 96-79	Spring Return Cruise	207	587 03 14-01	Latch Control Cruise
27	817 49 05-28	Screw Hexwsh Thd 5/16-18 x 1-3/4	208	532 19 78-69	Gear Sector Control Cruise
29	532 44 27-95	Rod, Brake	209	532 19 95-92	Rod Control Cruise
30	819 13 16-16	Washer	210	532 40 09-80	Rocker Asm. Pedal Control
33	812 00 00-01	Ring E	211	532 12 01-83	Bearing Nylon
35	583 86 45-01	Rod, Brake, Park	213	532 40 31-19	Knob Control Cruise
37	532 18 89-67	Washer Harden .793 x 1.063 x .060	214	532 41 68-63	Pedal Forward
38	532 16 96-13	Nyliner Bushing	215	586 60 65-02	Pedal Reverse
42	532 12 48-72	Cover, Foot Pedal	221	532 40 31-87	Retainer Spring Clip Handle
49	872 11 06-14	Bolt Rdhd 3/8-16 unc x 3/4 Gr. 5	222	879 21 20-10	Washer 21/32 x 1-1/4 10 Ga.
50	532 19 43-27	Idler Flat	226	532 40 15-64	Bracket Strap Torque
51	873 90 06-00	Lock Nut 3/8-16	227	817 49 05-12	Screw
52	532 19 43-26	Idler V-Groove	279	532 44 42-83	Link Shift
56	532 44 27-81	V-Belt, Drive	280	819 11 10-12	Washer 11/32 x 5/8 x 12 Ga.
64	532 19 78-65	Shaft Asm. Pedal Brake Control	284	532 41 76-93	Nut
73	874 49 05-44	Bolt Flanged	285	874 18 04-12	Screw
90	532 44 36-05	Keeper Belt Clutching	309	532 16 55-81	Plate Fstnr Cross Shf
92	874 76 05-20	Bolt Fin Hex 5/16-18 unc x 1.25	311	532 16 98-45	Washer Nylon
99	532 44 39-47	Rod Spring Bypass	312	532 16 56-14	Hub Tapered
103	873 35 05-00	Nut Hex Jam 5/16-18	313	874 78 04-16	Bolt Hex Fin 1/4-20 unc x 1 Gr. 5
116	873 90 05-00	Nut Lock Hex Flange 5/16-18	314	532 44 47-13	Keeper Belt
125	817 00 05-12	Screw 5/16-18 x 3/4	315	817 58 05-20	Screw Thdrol 5/16-18 x 4.25
140	810 04 04-00	Washer Lock Hvy Helical 1/4	335	532 19 95-34	Pulley V-Idler
143	817 49 05-08	Screw 5/16-18 x 1/2	336	587 25 96-01	Bolt 5/16-18 x 1-3/4 Flanged hex
159	876 02 04-12	Pin Cotter 1/8 x 3/4	339	532 43 68-67	Strap Torque K46 CRD Tex
160	532 16 94-84	Retainer Clip	342	532 18 26-82	Keeper Belt 2.5" STL V-Idlr CRD
161	532 10 57-09	Spring, Return, Clutch	343	539 11 28-99	Nut 5/16-18 Hex Flanged Nyloc
163	532 44 27-93	Rod Control	351	532 43 69-98	Bracket 97 CRD Deck Sway
166	532 42 91-64	Nut Push	352	532 43 56-45	Bracket Idler CRD Tex
167	532 40 52-57	Latch Brake Parking	355	532 43 56-69	Bracket
175	532 42 93-59	Shaft Asm Crossshift Rear CRD	359	817 49 06-10	Screw Thdrol 3/8-16 x 5/8
183	532 13 70-57	Spacer Axle	360	532 44 47-14	Nut 5/16-24 unf
184	587 65 37-01	Handle Parking Brake	362	532 43 68-12	Idler Flat
185	872 11 06-22	Bolt 3/8-16 unc x 2-3/4 Gr. 5	363	532 44 27-80	Spacer .343 x .63 x .62
186	532 19 43-21	Spacer Retainer	364	532 44 30-32	Bracket Idler CRD Tex
188	582 21 70-01	Link Clutch, Long	372	582 65 49-01	Keeper Belt Transaxle
189	532 43 36-11	Bellcrank Ground Drive			
195	580 45 69-01	Bracket Rod Brake CRD Tex			
196	817 00 06-16	Screw 3/8-16 x 1 Smgml Tap/R Blk			

NOTE: All component dimensions given in U.S. inches
1 inch = 25.4 mm

TRACTOR - MODEL NO. TC 342T (96051014800), PRODUCT NO. 960 51 01-48
ENGINE 24



**TRACTOR - MODEL NO. TC 342T (96051014800), PRODUCT NO. 960 51 01-48
ENGINE 24**

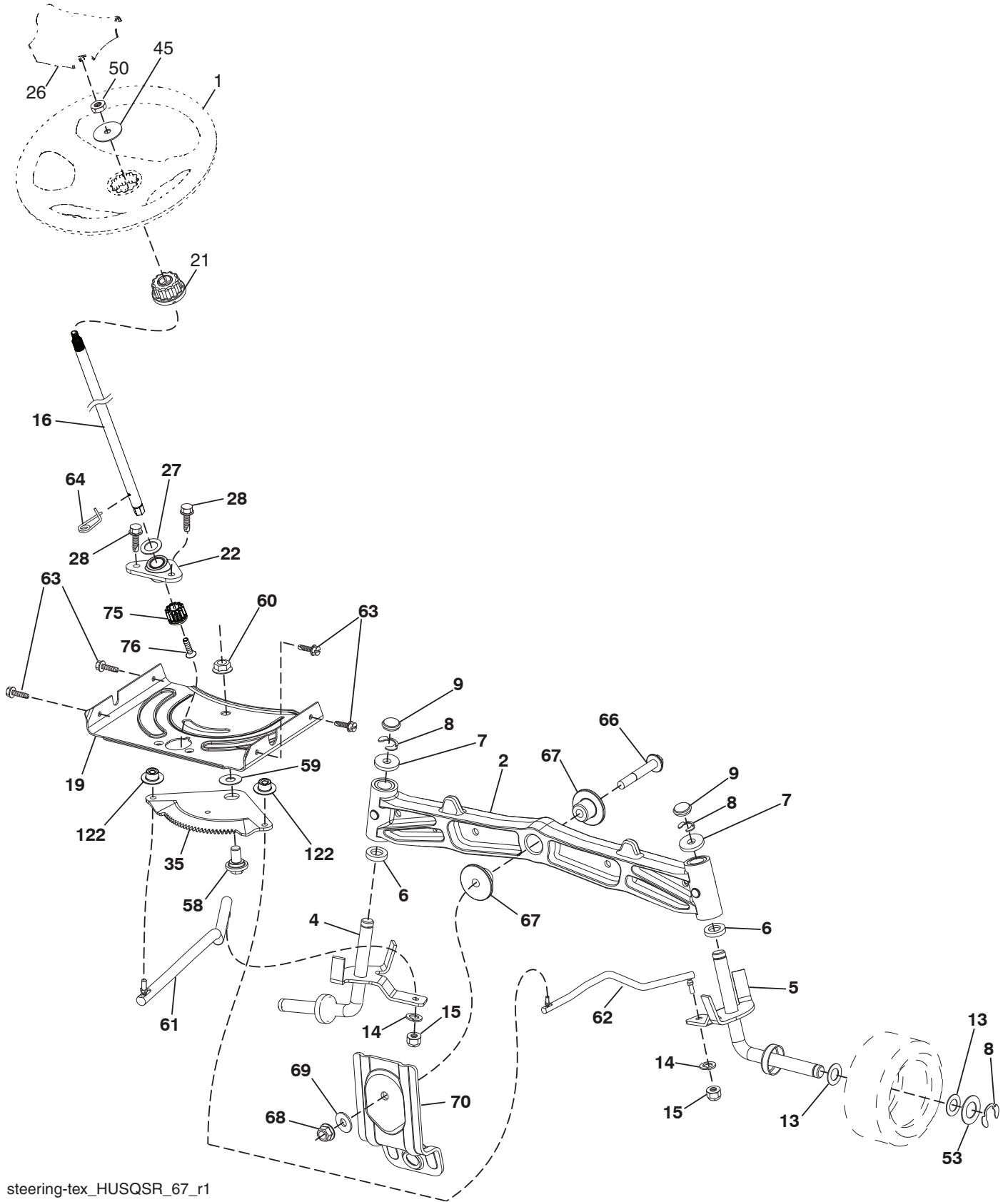
KEY NO.	PART NO.	DESCRIPTION
1	---	Engine KAWA Model No. FR651V (589493201) (Order parts from engine manufacturer.)
2	589 81 87-01	Muffler
9	501 83 26-02	Keeper Belt Engine
11	587 24 16-01	Clutch Electric
12	532 40 50-97	Pulley Engine
15	532 43 58-16	Tank Fuel
18	532 44 14-62	Fuel Cap
20	532 42 43-41	Control Throttle
21	532 41 63-58	Screw # 10 x 0.750
22	532 18 95-41	Control Choke
28	532 13 70-40	Fuel Line
29	532 13 71-80	Spark Arrester Kit
37	532 12 34-87	Clamp Hose
41	532 12 61-97	Washer 1-1/2 OD x 15/32 ID x .250
42	810 04 07-00	Washer Lock 7/16
43	817 06 05-16	Screw 5/16-18 x 1 SMGML Tap
45	873 51 04-00	Nut Keps Hex 1/4-20 unc
62	532 43 40-17	Shield Heat Muffler
69	532 17 81-51	Gasket
70	583 95 56-01	Tube Exhaust LH
71	583 95 57-01	Tube Exhaust RH
81	532 14 84-56	Tube Drain Oil Easy
85	501 60 66-01	Bolt Hex 7/16-20 x 3.75 Gr. 5
86	532 18 43-62	Nut Hex Flanged Toplock
90	817 00 06-16	Screw 3/8-16 x 1
92	817 12 06-16	Screw 3/8-16 x 1 SMGML Tap/R
96	819 09 14-16	Washer 9/32 x 7/8 x 16 Ga.
97	817 67 04-12	Screw 1/4-20 x 3/4
102	817 00 05-12	Screw 5/16-18 x 3/4
108	532 42 30-41	Cover Pulley Engine
116	539 13 26-24	Knob Shift
137	532 44 14-61	Spill Cup

NOTE: All component dimensions given in U.S. inches
1 inch = 25.4 mm

Engine Power Rating Information

The gross power rating for individual gas engine models is labeled in accordance with SAE (Society of Automotive Engineers) code J1940 (Small Engine Power & Torque Rating Procedure), and rating performance has been obtained and corrected in accordance with SAE J1995 (Revision 2002-05). Torque values are derived at 3060 RPM; horsepower values are derived at 3600 RPM. Actual gross engine power will be lower and is affected by, among other things, ambient operating conditions and engine-to-engine variability. Given both the wide array of products on which engines are placed and the variety of environmental issues applicable to operating the equipment, the gas engine will not develop the rated gross power when used in a given piece of power equipment (actual "on-site" or net power). This difference is due to a variety of factors including, but not limited to, accessories (air cleaner, exhaust, charging, cooling, carburetor, fuel pump, etc.), application limitations, ambient operating conditions (temperature, humidity, altitude), and engine-to-engine variability. Due to manufacturing and capacity limitations, Briggs & Stratton may substitute an engine of higher rated power for this Series engine.

TRACTOR - MODEL NO. TC 342T (96051014800), PRODUCT NO. 960 51 01-48
STEERING ASSEMBLY 41



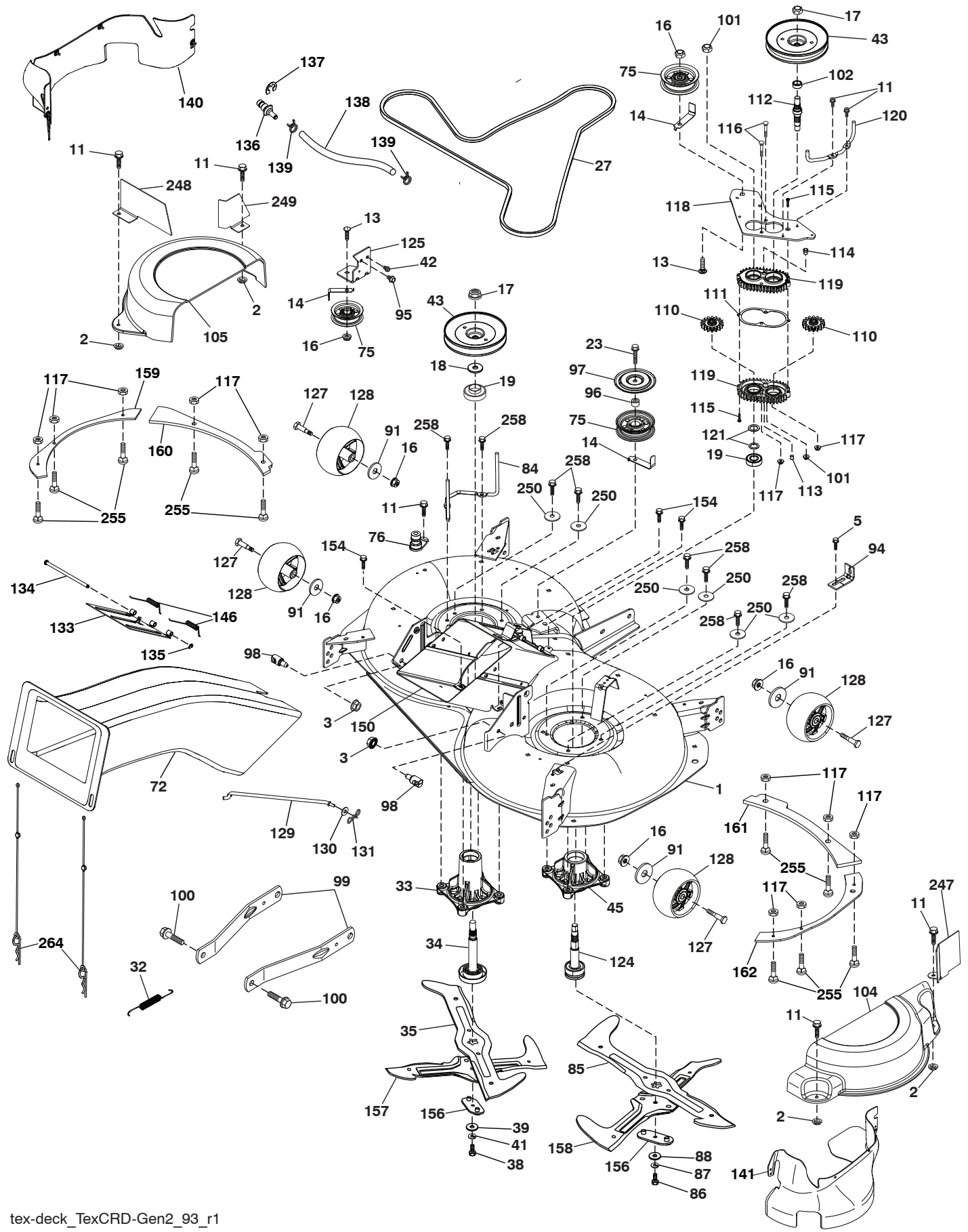
steering-tex_HUSQSR_67_r1

TRACTOR - MODEL NO. TC 342T (96051014800), PRODUCT NO. 960 51 01-48
STEERING ASSEMBLY 41

KEY NO.	PART NO.	DESCRIPTION
1	532 43 97-40	Wheel, Steering
2	532 19 59-68	Axle Cast Iron
4	532 40 30-87	Spindle Asm., LH
5	532 40 30-88	Spindle Asm., RH
6	532 12 49-31	Washer Thrust 0.75 x 1.23
7	532 12 17-48	Washer 25/32 x 1-5/8 x 16 Ga.
8	812 00 00-29	Ring, Klip #T5304-75
9	532 12 12-32	Cap, Spindle
13	532 12 17-49	Washer 25/32 x 1-1/4 x 16 Ga.
14	810 04 06-00	Washer, Lock 3/8
15	873 54 06-00	Nut, Crown Lock 3/8-24 unf
16	587 01 60-02	Shaft Steering
19	532 19 47-29	Plate Steering
21	586 84 02-01	Adapter, Wheel Steering Splnd Alum
22	585 02 98-02	Bearing Shaft Steer Low
26	532 43 97-43	Insert, Wheel Steering
27	819 21 16-16	Washer 21/32 x 1 x 16 Ga.
28	817 00 06-12	Screw 3/8-16 x 3/4
35	532 19 47-32	Gear, Sector Plate
45	587 01 64-01	Washer 3/8 ID 2-3/8OD 12 Ga. PLTD
50	873 90 06-00	Nut Lock Flg. 3/8-16 unc
53	532 18 89-67	Washer Hardened .793 x 1.637 x .060
58	532 19 47-47	Bolt Shoulder Sector Pivot CFM
59	532 19 47-48	Washer Thrust Sector Steering
60	873 97 10-00	Nut Flange Lock 5/8-11
61	588 79 44-02	Draglink, LH
62	588 79 45-02	Draglink, RH
63	817 00 05-12	Screw 5/16-18 x 3/4
64	532 19 98-49	Retainer Clip Spring Steering
66	871 02 07-48	Bolt Hex Fghd 7/16-14 x 3 Serr
67	532 19 47-37	Bushing PM Front Axle
68	873 90 07-00	Nut Lock Flange 7/16-14 Gr. 5
69	532 19 91-62	Washer 1.5 x .505 x .118
70	585 33 88-01	Bracket Deck Susp. Front
75	580 68 37-01	Pinion
76	580 68 36-01	Screw Head Sock
122	532 44 49-62	Cap Gear Sector

NOTE: All component dimensions given in U.S. inches
1 inch = 25.4 mm

TRACTOR - MODEL NO. TC 342T (96051014800), PRODUCT NO. 960 51 01-48
MOWER DECK 44

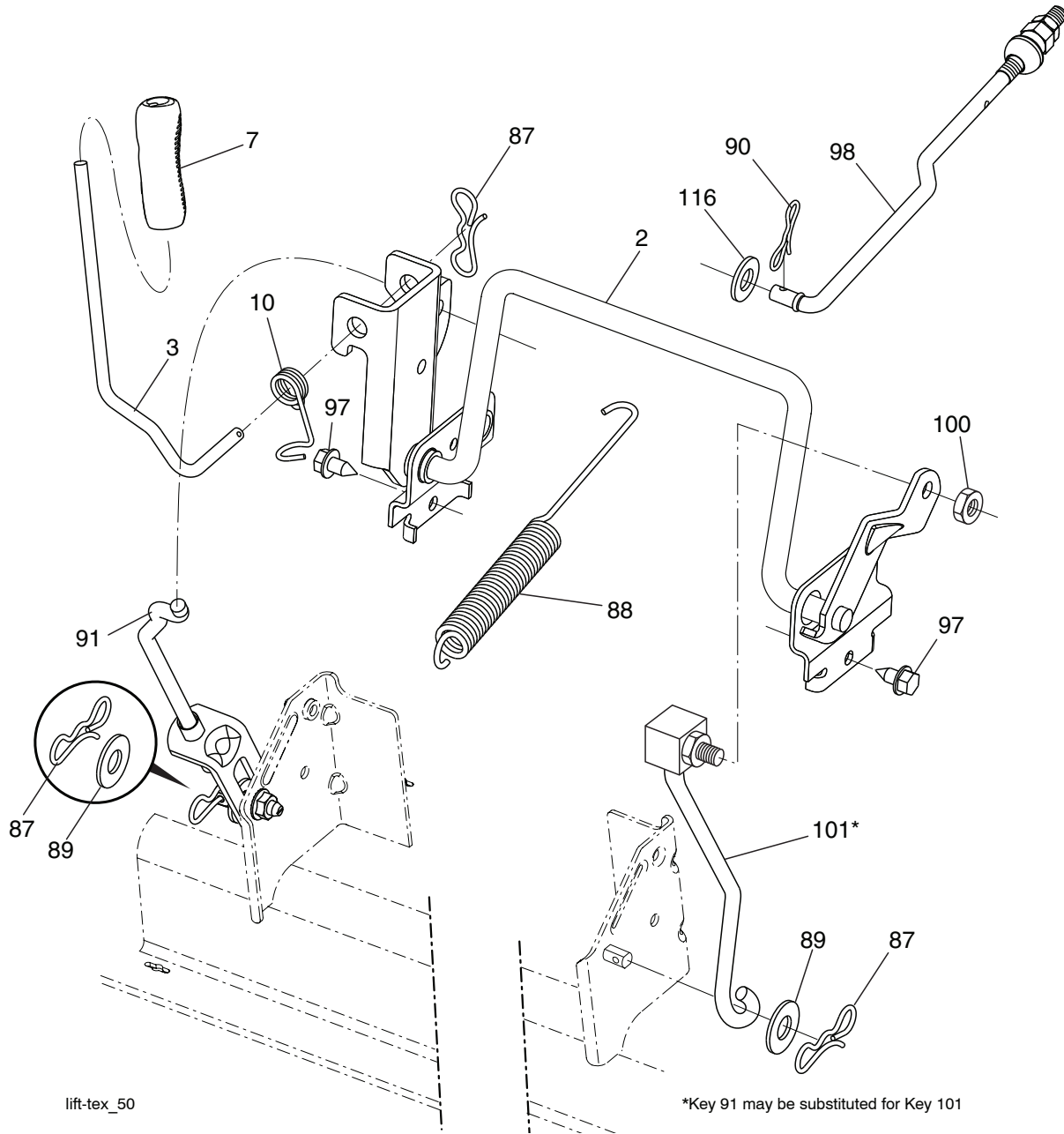


TRACTOR - MODEL NO. TC 342T (96051014800), PRODUCT NO. 960 51 01-48
MOWER DECK 44

KEY NO.	PART NO.	DESCRIPTION	KEY NO.	PART NO.	DESCRIPTION
1	580 97 33-01	Deck Weldment	120	532 44 32-36	Keeper Belt RH
2	532 42 30-62	Palnut 1/4	121	532 43 69-85	Washer
3	873 90 05-00	Nut Lock Hex Flange 5/16-18	124	532 43 69-86	Non Greasable Mandrel Shaft
5	817 00 05-10	Bolt 5/16-18 Hex Whs Hd Lck serr	125	532 43 69-94	Bracket Idler Chassis
11	532 13 77-29	Screw Thd Roll 1/4-20 x 5/8	127	532 19 34-06	Bolt Shoulder 3/8-16 x 3-5/8 Gr. 5
13	872 11 06-12	Bolt Carr Sh 3/8-16 x 1-1/2 Gr. 5	128	532 17 48-73	Wheel Gauge
14	532 15 60-85	Keeper Belt Idler	129	532 44 32-37	Rod Anti-Sway
16	873 90 06-00	Nut Lock FIG 3/8-16 unc	130	819 13 13-12	Washer 13/32 x 13/16 x 12 Ga.
17	532 40 02-34	Nut Flange Lock Top	131	532 19 42-08	Pin Cotter 5/16 Bow Tie Lock
18	532 18 76-90	Washer, Spacer, Mandrel	133	532 43 81-97	EZ Mulch Door
19	585 32 39-01	Bearing Mandrel	134	532 43 58-61	Pin Hinge
23	817 49 06-28	Screw Thdrol 3/8-16 x 1-3/4	135	532 43 79-88	E-Ring 5/16
27	532 44 58-87	V-Belt Drive	136	532 43 96-39	Washout Port Remote Hookup
32	532 44 62-05	Spring Return Deck	137	812 00 00-29	Ring Klip
33	532 18 72-81	Mandrel Asm. Tall	138	532 44 76-67	Hose Washout Port
34	587 25 65-01	Shaft Asm Mndrl	139	532 44 07-42	Hose 3/8 Clamp
35	532 18 05-83	Blade Mower LH	140	501 58 00-01	Guard Asm. LH
38	590 88 40-01	Bolt Blade 7/16-20 x 1.5 Gr. 8	141	501 57 96-02	Guard Asm. LH
39	581 52 65-01	Washer 7/16 Flat	146	532 44 58-96	Spring Tex CRD EZ Mulch
41	539 99 02-47	Washer lock 7/16	150	596 01 23-02	Weldment Chute Lower 107 CRD
42	817 00 05-12	Screw 5/16-18 x 3/4	154	532 19 98-55	Screw 1/4-20 Panhead
43	532 44 32-39	Pulley Mandrel	156	532 44 69-95	Adapter Weldment Blade
45	532 13 71-52	Mandrel Asm. Short	157	532 44 69-93	Blade Cross LH 107
72	581 45 41-03	Chute Upper	158	532 18 04-25	Blade Cross RH 107
75	532 13 14-94	Pulley Idler Flat	159	585 30 94-05	Plate LH Side
76	532 43 96-40	Washout Port	160	585 30 95-05	Plate LH Front
84	532 44 32-35	Keeper Belt Mandrel	161	585 31 60-05	Plate RH Front
85	532 18 05-84	Blade Mower RH	162	585 31 61-05	Plate RH Side
86	532 18 17-13	Bolt 3/8-24 x 1.50 Gr.8	247	581 26 34-02	Guard Steel Mandrel Front Cover
87	810 04 06-00	Washer Lock Hvy 3/8	248	581 26 36-02	LH Rear Steel Guard
88	532 14 02-96	Washer, Hard, Blade, Mover	249	581 26 35-02	LH Front Steel Guard
91	819 13 20-12	Washer 13/32 x 1-1/4 x 12 Ga.	250	819 11 12-12	Washer 11/32 x 3/4 x 12 Ga.
94	532 19 72-50	Bracket Clutch Cable	255	539 10 98-00	Carriage Bolt 1/4-20 x 1 Gr. 5
95	817 00 06-12	Screw 3/8-16 x 3/4	258	584 95 39-01	Bolt Hex Wsh Hd .316-18 x 1.19
96	532 40 02-71	Spacer	264	589 39 29-01	Retainer Asm. Upper Chute
97	532 18 20-61	Shield Idler Mower	--	587 25 33-01	Mandrel Assembly Tall (Includes Housing (key #33), Shaft Assembly (key #34), And Bearing Only (key #19) - Pulley/Nut/Washer And Blade Bolt/Washers Not Included)
98	532 19 51-61	Stud Fastener	--	589 64 84-01	Replacement Mower Complete
99	532 19 51-86	Arm Suspension Mower Rear	--	532 44 81-32	Gear Case Kit – Use .75 oz. Shell 460 oil (Include Gear Output (key #110), Gasket Gearcase (key #111), Shaft Gearcase (key #112), Plug Oil (key #113), Vent Breather 1/8 NPT (key #114), Screw Torx (key #115), Gearcase Subasm (key #119))
100	532 19 65-39	Bolt Shoulder			
101	873 68 09-00	Nut Crownlock 9/16-18 unc			
102	532 40 25-11	Spacer Bearing Swing Plate			
104	581 71 40-01	Mandrel Cover RH			
105	532 44 47-55	Mandrel Cover LH			
110	587 93 48-01	Gear Output			
111	532 43 69-79	Gasket Gearcase			
112	532 44 38-52	Shaft Gearcase			
113	532 43 85-33	Plug Oil			
114	588 17 05-01	Valve Relief			
115	818 03 10-16	Screw Torx #10-24 x 1			
116	872 11 04-14	Bolt 1/4-20 x 1.75 Gr. 5			
117	873 90 04-00	Nut Hex Flange 1/4-20 unc			
118	532 44 32-32	Arm Clutching			
119	532 43 81-66	Gearcase Subasm			

NOTE: All component dimensions given in U.S. inches
1 inch = 25.4 mm

TRACTOR - MODEL NO. TC 342T (96051014800), PRODUCT NO. 960 51 01-48
MOWER LIFT 45



lift-tex_50

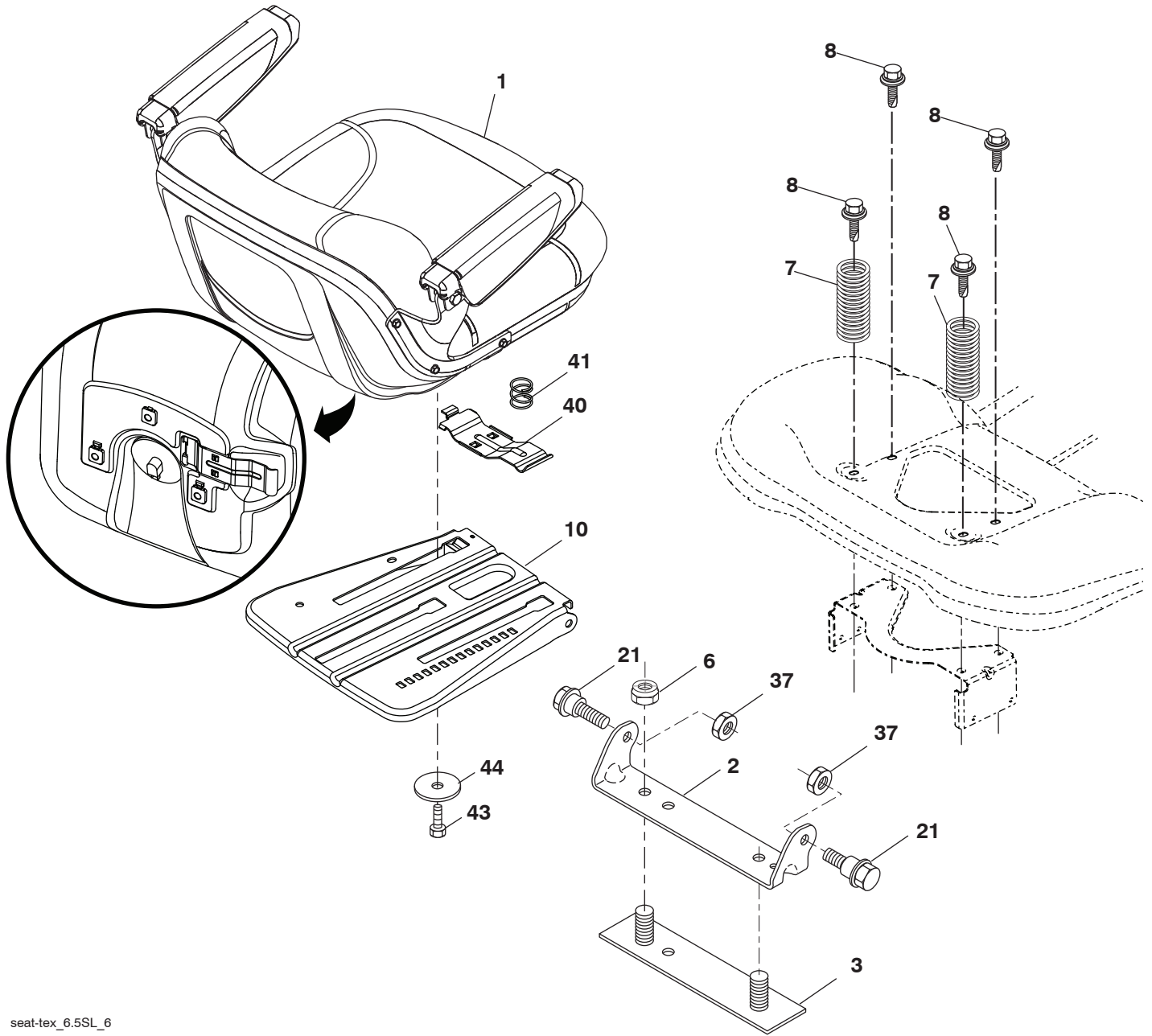
*Key 91 may be substituted for Key 101

KEY NO.	PART NO.	DESCRIPTION
2	532 43 69-96	Deck Lift Weldment
3	532 19 52-31	Lever Asm., Lift RH
7	580 96 23-01	Grip, Lever
10	532 19 63-14	Spring Torsion
87	532 19 42-09	Pin Cotter 7/16 Bow Tie Lock
88	532 44 54-96	Spring Lift Assist
89	819 19 19-12	Washer Clear Zinc
90	532 19 42-08	Pin Cotter 5/16 Bow Tie Lock
91	532 19 51-81	Link Lift Susp Mower Rear

KEY NO.	PART NO.	DESCRIPTION
97	817 49 06-08	Screw 3/8-16 x 1/2
98	532 19 52-70	Link Lift Susp. Front Mower
100	873 93 06-00	Nut Centerlock
101	532 40 70-03	Link Asm. Lift
116	819 15 15-16	Washer 15/32 x 15/16 x 16 Ga.

NOTE: All component dimensions given in U.S. inches
 1 inch = 25.4 mm

**TRACTOR - MODEL NO. TC 342T (96051014800), PRODUCT NO. 960 51 01-48
SEAT ASSEMBLY 42**



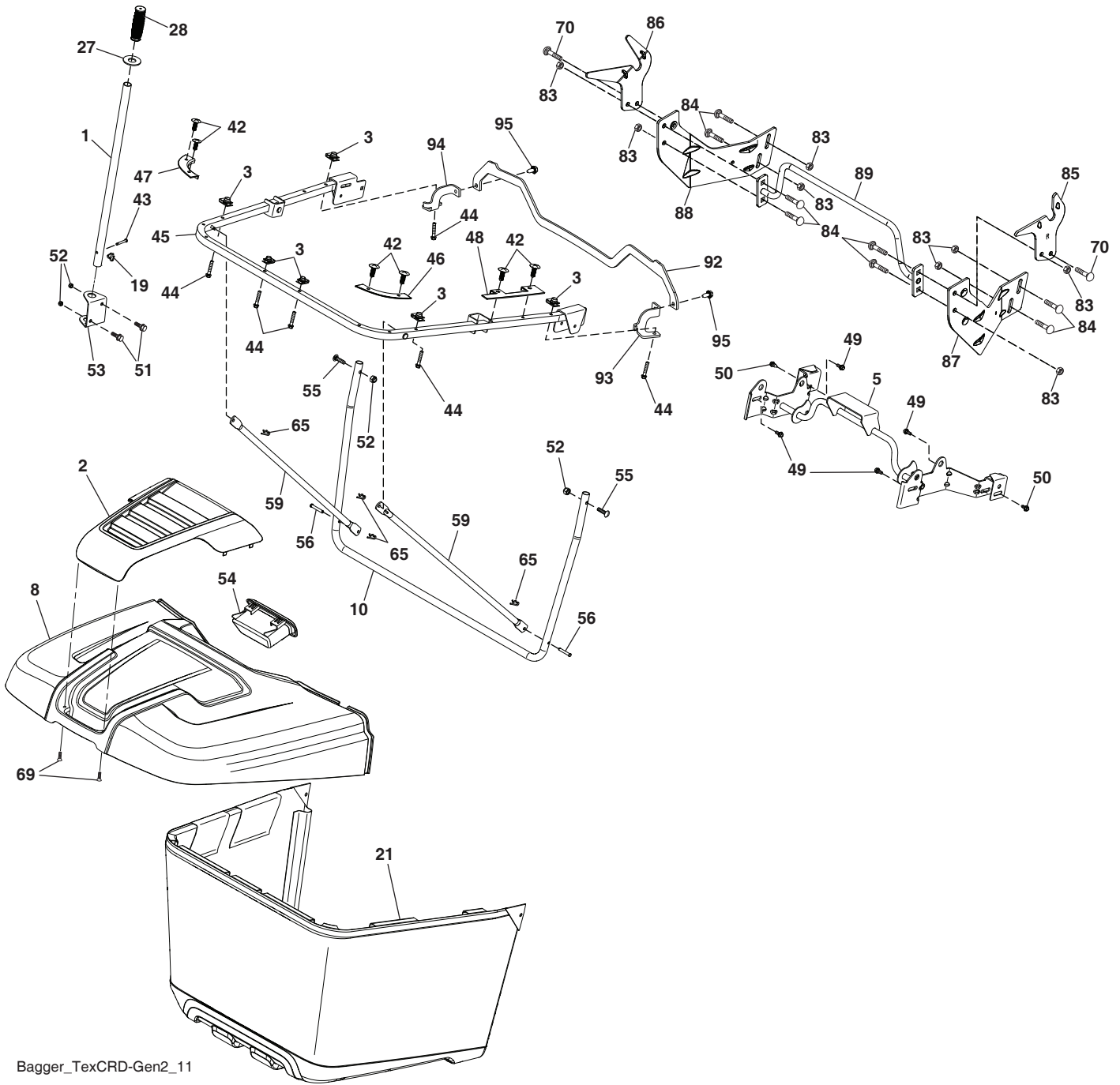
seat-tex_6.5SL_6

KEY NO.	PART NO.	DESCRIPTION
1	532 44 32-63	Seat
2	532 18 01-66	Bracket Pivot Fender
3	532 14 06-75	Strap, Asm Fender
6	873 80 06-00	Nut, Lock W/Ins. 3/8-16 unc
7	587 61 33-01	Spring, Seat Cprsn
8	532 17 18-77	Bolt 5/16-18 unc x 3/4 w/Sems
10	532 19 69-77	Pan, Seat
21	587 90 78-01	Bolt, Shoulder 5/16-18 x 5/8
37	873 80 05-00	Nut, Lock 5/16-18 unc

KEY NO.	PART NO.	DESCRIPTION
40	532 19 76-61	Handle Slide Seat
41	532 19 82-00	Spring Latch Seat
43	874 76 06-12	Bolt Fin Hex 3/8-16 unc x 3/4
44	819 13 38-12	Washer 13/32 x 2-3/8 x 12 Ga.

NOTE: All component dimensions given in U.S. inches
1 inch = 25.4 mm

TRACTOR - MODEL NO. TC 342T (96051014800), PRODUCT NO. 960 51 01-48
BAGGER 46



Bagger_TexCRD-Gen2_11

**TRACTOR - MODEL NO. TC 342T (96051014800), PRODUCT NO. 960 51 01-48
BAGGER 46**

KEY NO.	PART NO.	DESCRIPTION
1	532 42 86-10	Tube Handle Bagger
2	532 44 75-72	Applique
3	532 17 48-14	Clip
5	532 44 37-62	Upper Pivot Tube
8	532 44 75-75	Bagger Top
10	532 44 37-55	Frame Front
19	532 19 42-08	Cotter Pin 5/16 Bow Tie
21	581 33 71-03	Bag Asm
27	532 44 55-29	Grommet Rubber
28	532 16 57-87	Grip Handle
42	532 44 04-28	Clip
43	532 12 68-75	Clevis Pin
44	532 19 96-87	Bolt 1/4-20
45	532 44 37-54	Upper Frame
46	532 44 55-41	Bag Corner Close Out RH
47	532 44 40-79	Bag Corner Close Out LH
48	532 44 40-80	Top Bagger Side Close Out
49	532 17 18-73	Bolt Shoulder 5/16-18
50	532 17 18-77	Bolt 5/16-18 x 3/4 W/Sems
51	872 11 05-06	Bolt 5/16 x 18 x 3/4
52	873 80 05-00	Nut Lock Hex W/Ins 5/16-18 unc
53	532 44 41-95	Bracket Dump Handle
54	532 44 72-18	Bagger Top Front Handle
55	872 14 05-12	Bolt 5/16-18 x 1-1/2
56	532 42 03-06	Pin Clevis .183 x 1.26
59	532 44 47-63	Bagger Sprd Tube
65	532 12 47-88	Retainer Spring
69	532 42 18-01	Screw #8 Flat Head Drill
70	817 00 06-12	Screw 3/8-16 x 3/4
83	873 80 06-00	Nut Lock Hex w/Ins. 3/8-16 unc
84	872 11 06-08	Bolt 3/8-16 x 1 Gr. 5
85	581 31 44-02	Bracket RH Pivot
86	581 31 43-02	Bracket LH Pivot
87	581 31 48-02	Bracket RH
88	581 31 47-02	Bracket LH
89	581 31 51-04	Weldment Offset Strut
92	586 05 23-02	Bracket Top Support
93	586 05 24-02	Bracket Support RH
94	586 05 25-02	Bracket Support LH
95	817 00 05-12	Screw 5/16-18 x 3/4
--	501 70 56-01	Bagger Dump Kit (Includes Key#'s 85, 86, 87, 88, & 89)
--	586 74 49-01	Bagger Complete Kit (Includes Key#'s 1, 5, 10, 19, 21, 27, 28, 42, 43, 46, 47, 48, 49, 50, 52, 54, 56, 59, 65)

NOTE: All component dimensions given in U.S. inches
1 inch = 25.4 mm

