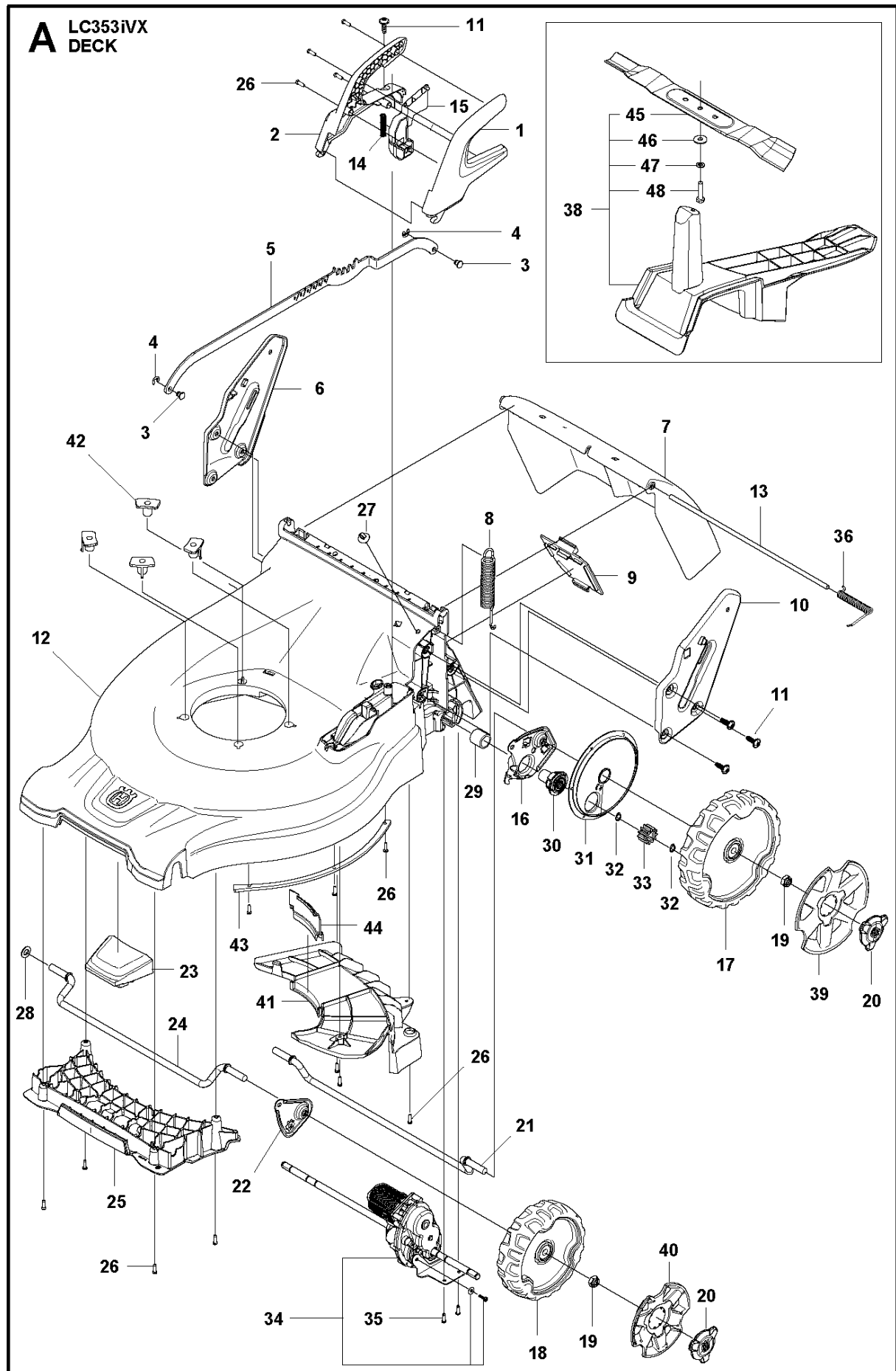




SPARE PARTS LIST

LAWN MOWERS: CONSUMER
WALK-BEHINDS

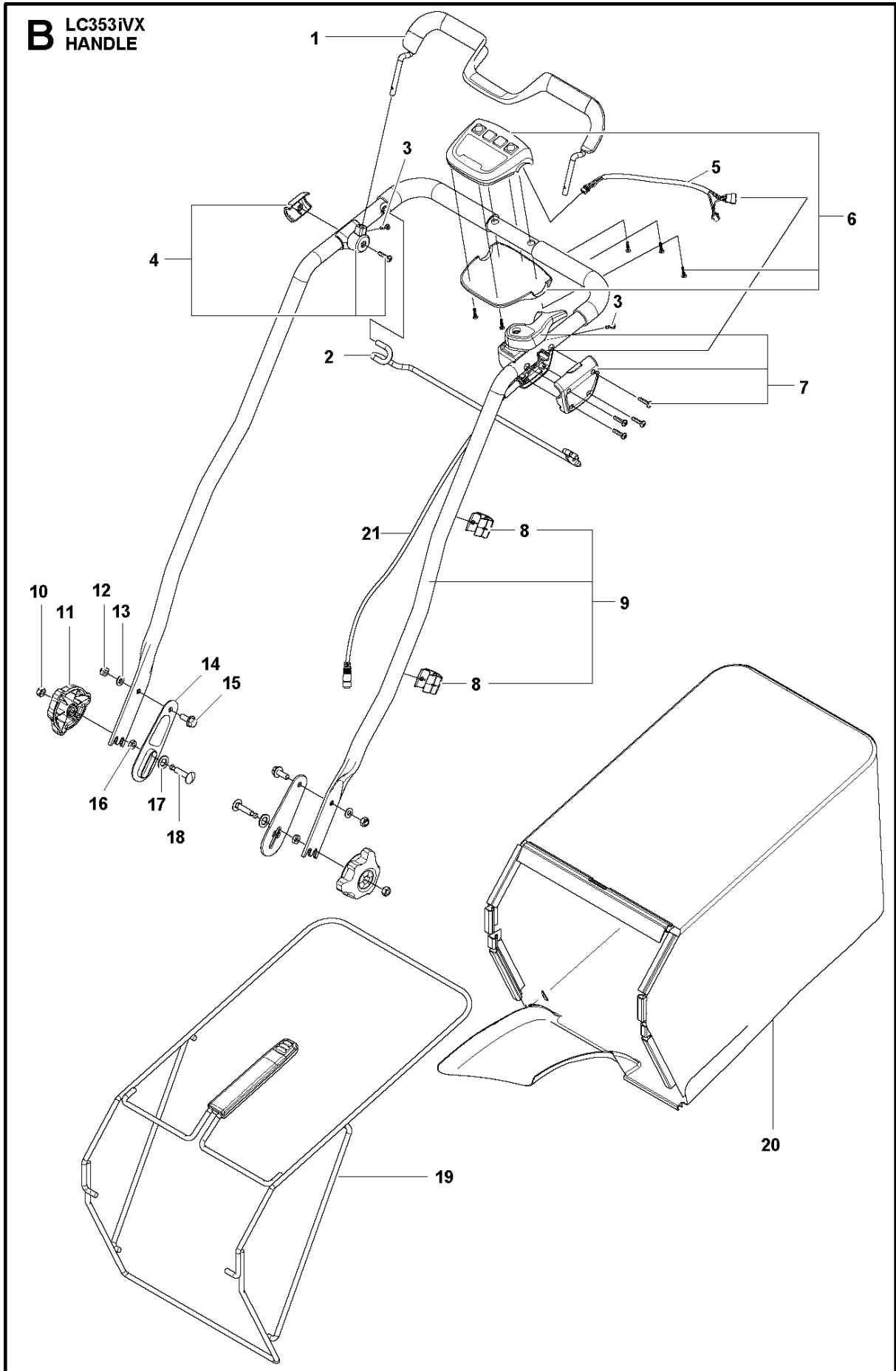
LC 353iVX, 967862001, 2019-01



MOWER DECK / CUTTING DECK

LC 353iVX, 967862001, 2019-01

| Ref | Part No | Description | Remark | QTY KIT |
|-----|--------------|---------------------|---|---------|
| 1 | 587 20 37-01 | COVER HALF | Husqvarna, Suspension - Left - Height adjustment | 1 |
| 2 | 587 20 38-01 | COVER HALF | Husqvarna, Suspension - Right - Height adjustment | 1 |
| 3 | 587 68 70-01 | SHAFT | Suspension | 2 |
| 4 | 735 31 12-20 | E-CLIP | 7x0.9 St PP,SHAFTS | 2 |
| 5 | 588 82 78-01 | ROD | Suspension 190/230 | 1 |
| 6 | 587 21 23-02 | HANDLE SUPPORT | right | 1 |
| 7 | 501 71 61-02 | HATCH | Rear door 53cm, Powerhead | 1 |
| 8 | 588 82 77-01 | SPRING | 53 cm,Balance - Suspension | 1 |
| 9 | 587 09 54-02 | COVER | Service door | 1 |
| 10 | 587 21 21-02 | HANDLE SUPPORT | left | 1 |
| 11 | 578 17 58-02 | SCREW ITXPANT | 8x24, TBO, For Thermoplastics | 7 |
| 12 | 501 70 48-01 | CHASSIS | Husqvarna, 53 cm | 1 |
| 13 | 586 98 46-02 | AXLE | Hatch rear door | 1 |
| 14 | 589 59 76-01 | SPRING | HA Button | 1 |
| 15 | 587 69 74-01 | BUTTON | ASSY - Suspension - Height adjustment | 1 |
| 16 | 587 07 25-01 | LINK ARM | Rear idler 210 | 1 |
| 17 | 588 74 96-01 | WHEEL ASSY | Husqvarna, With Sleeve, 230, Drive | 2 |
| 18 | 588 74 97-01 | WHEEL ASSY | Husqvarna, With Sleeve, 190, Idler | 2 |
| 19 | 587 99 09-01 | NUT | Lock, M12x10 | 4 |
| 20 | 584 15 94-01 | NUT CAP | Nut cap | 4 |
| 21 | 587 07 26-03 | WHEEL AXLE | Rear 53 cm,Suspension | 1 |
| 22 | 587 07 24-01 | LINK ARM | Front idler 170 | 2 |
| 23 | 594 72 72-01 | COUNTERWEIGHT | COUNTERWEIGHT | 1 |
| 24 | 587 07 26-04 | WHEEL AXLE | Front 47 cm, Suspension | 1 |
| 25 | 501 91 03-01 | SKID PLATE | Husqvarna, Front | 1 |
| 26 | 502 43 53-01 | SCREW ITXPANT | T50x16 Zn/Fe (A009) | 15 |
| 27 | 579 31 74-01 | STRAP | FIR TREE 170x5 | 1 |
| 28 | 577 09 28-01 | WASHER | 12/22/2 FZB ISO7089 | 1 |
| 29 | 579 68 28-02 | TUBE | Rubber | 2 |
| 30 | 501 86 10-01 | BUSHING | ASSY | 1 |
| 31 | 589 63 98-01 | DUST COVER | Dust cover, 230 | 2 |
| 32 | 735 31 14-01 | CIRCLIP | 12x1 st ZPB, SGA | 2 |
| 33 | 544 34 23-01 | PINION | Full Width, PM, 11 T, 21.25mm Root Diam | 1 |
| 34 | 594 72 88-01 | TRANSMISSION | Assy | 1 |
| 35 | 502 43 53-01 | SCREW ITXPANT | T50x16 Zn/Fe (A009) | 2 |
| 36 | 587 10 15-01 | SPRING | hatch | 1 |
| 38 | 595 00 11-01 | MULCH KIT | Mulch plug and combi blade kit | 1 |
| 39 | 588 75 20-01 | HUB CAP | 230 Husqvarna | 2 |
| 40 | 588 75 21-01 | HUB CAP | 190 Husqvarna | 2 |
| 41 | 501 71 55-01 | BELT COVER | Belt cover 53 cm | 1 |
| 42 | 578 29 51-01 | SLEEVE | For engine screws, Plastic chassis | 4 |
| 43 | 582 02 28-01 | REINFORCEMENT PLATE | Chassis 53 cm | 2 |
| 44 | 594 09 90-01 | COVER | 53cm electric | 1 |
| 45 | 595 00 72-10 | BLADE | | 1 |
| 46 | 734 11 64-41 | WASHER | SRKB 8.4/25X2 | 1 |
| 47 | 579 68 42-01 | SPRING WASHER | | 1 |
| 48 | 725 24 55-71 | SCREW EHHM | M8x30 8.8 ZPB | 1 |

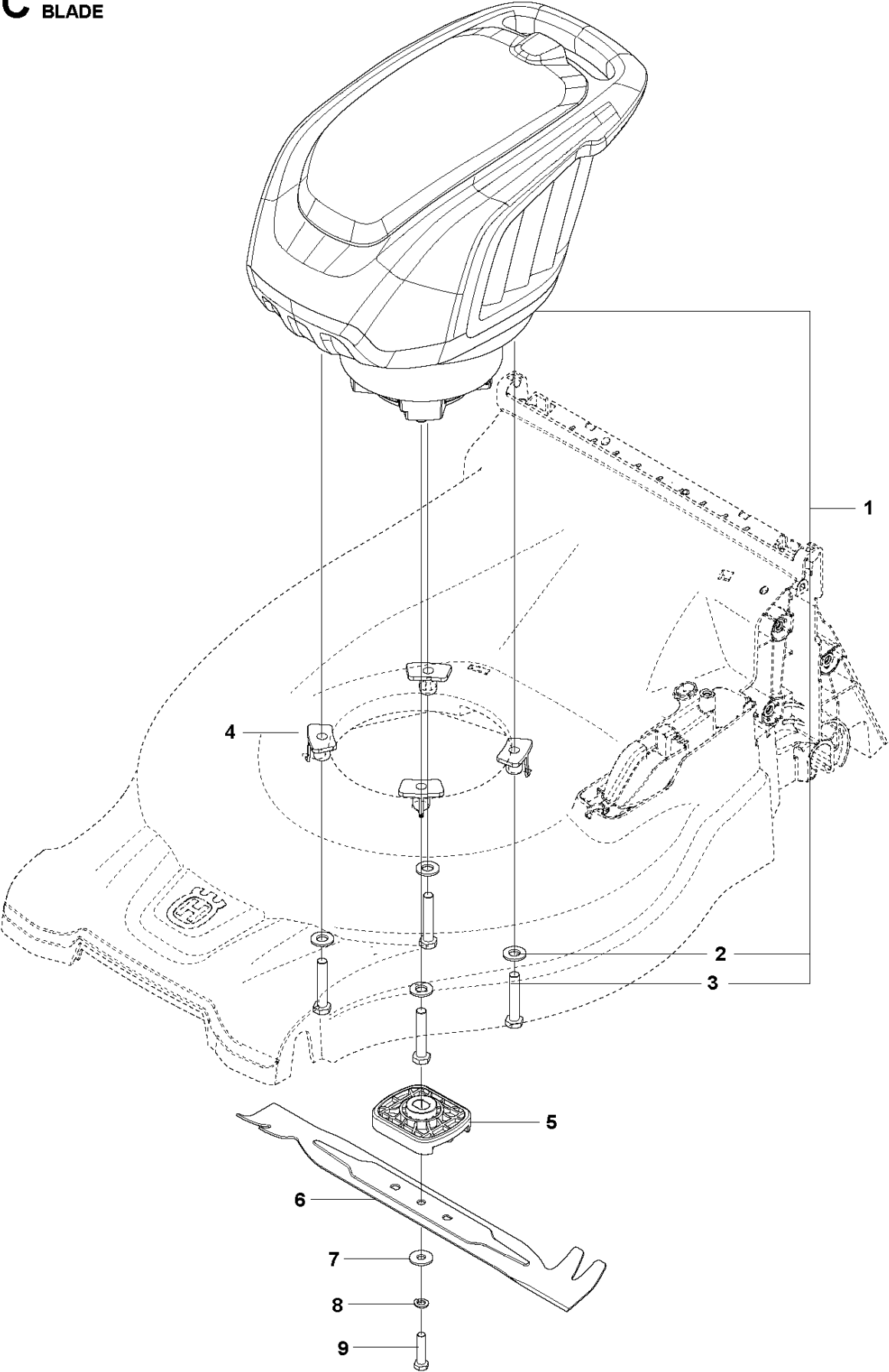


HANDLE

LC 353iVX, 967862001, 2019-01

| Ref | Part No | Description | Remark | QTY | KIT |
|-----|--------------|------------------|--------------------------------|-----|-----|
| 1 | 596 25 36-01 | BAIL | Handle assy, OPC bail kit | 1 | |
| 2 | 587 10 18-02 | BAIL | Drive bail | 1 | |
| 3 | 593 19 87-01 | DRIVE SCREW | | 2 | |
| 4 | 593 11 87-01 | SUPPORT ASSY | Bail support assembly | 1 | |
| 5 | 593 19 86-01 | EXTENSION CABLE | Control panel assy cable | 1 | |
| 6 | 596 25 30-02 | CONTROL BOARD | Control board, Drive | 1 | |
| 7 | 593 11 80-01 | SWITCHBOX ASSY | Push | 1 | |
| 8 | 591 08 64-01 | CABLE HOLDER | Handle mounted clip | 2 | 9 |
| 9 | 596 28 03-01 | HANDLE ASSY | Handle assy | 1 | |
| 10 | 731 23 18-01 | HEXAGON NUT | M8 8 ZPB,ISO 4032 | 2 | |
| 11 | 587 23 72-01 | KNOB | handle | 2 | |
| 12 | 732 21 18-01 | LOCK NUT | M8-8 | 2 | |
| 13 | 734 18 20-51 | WASHER | 8x16x1.5 St ZPB, Type NB | 2 | |
| 14 | 587 78 04-01 | WASHER | Washer handle/handlesupport | 2 | |
| 15 | 506 57 01-04 | SCREW EHHFM | M8x20 8.8 ZPB,EHHFM | 2 | |
| 16 | 731 43 18-01 | HEXAGON THIN NUT | M8 St 04 ZPB,ISO 4035 | 2 | |
| 17 | 588 15 74-01 | WASHER | Nylon Washer | 2 | |
| 18 | 588 15 73-02 | BOLT | Esloc, Carriage Bolt M8 | 2 | |
| 19 | 501 71 60-01 | BAG FRAME | Bag frame | 1 | |
| 20 | 501 85 66-01 | GRASSBAG | Grassbag | 1 | |
| 21 | 597 68 87-01 | CABLE | | 1 | |

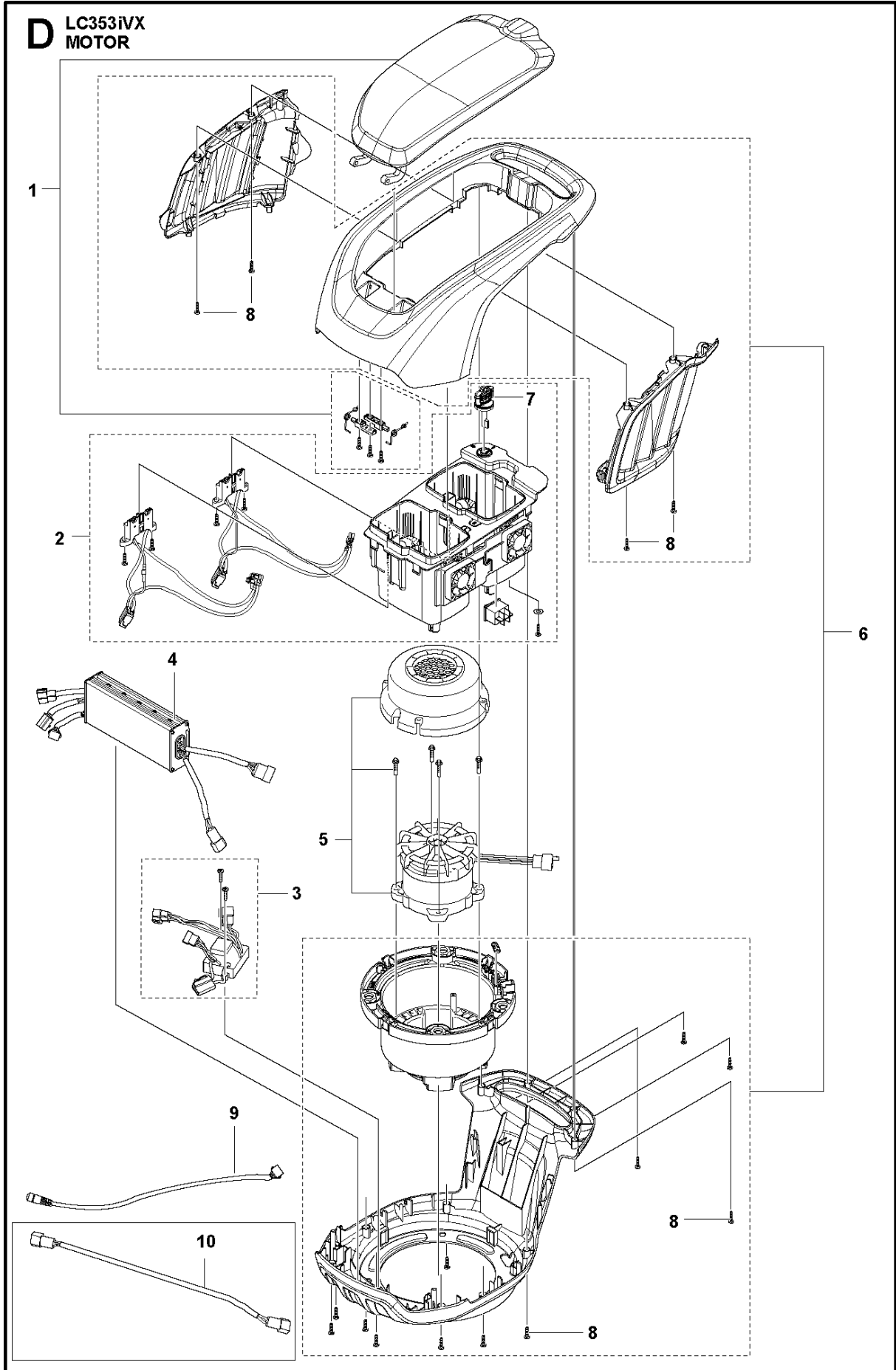
C LC353iVX
BLADE



BLADE MOTOR & CUTTING EQUIPMENT

LC 353iVX, 967862001, 2019-01

| Ref | Part No | Description | Remark | QTY | KIT |
|-----|--------------|---------------|------------------------------------|-----|-----|
| 1 | 590 53 14-04 | POWER UNIT | Powerhead Unit | 1 | |
| 2 | 504 46 68-01 | WASHER | 10.5x22x2 BRB ZPB | 4 | 1 |
| 3 | 725 25 02-71 | SCREW EHHM | M10x55 8.8 ZPB,ISO 4017 | 4 | 1 |
| 4 | 578 29 51-01 | SLEEVE | For engine screws, Plastic chassis | 4 | |
| 5 | 596 60 22-01 | BLADE SUPPORT | Transmission system | 1 | |
| 6 | 594 07 57-10 | BLADE | | 1 | |
| 7 | 734 11 64-41 | WASHER | SRKB 8.4/25X2 | 1 | |
| 8 | 579 68 42-01 | SPRING WASHER | | 1 | |
| 9 | 725 24 55-71 | SCREW EHHM | M8x30 8.8 ZPB | 1 | |



MOTOR

LC 353iVX, 967862001, 2019-01

| Ref | Part No | Description | Remark | QTY | KIT |
|-----|--------------|------------------|-------------------------|-----|-----|
| 1 | 593 12 43-01 | LID ASSY | Powerhead lid and hinge | 1 | |
| 2 | 593 12 45-02 | BATTERY BOX | Battery pocket | 1 | 7 |
| 3 | 593 13 36-02 | CONTACT PLATE | Battery control plate | 1 | |
| 4 | 593 13 27-01 | CONTROL UNIT | Motor control box | 1 | |
| 5 | 593 78 38-02 | MOTOR | Brushless motor 900W | 1 | |
| 6 | 593 20 39-01 | ENGINE HOOD ASSY | Power unit cover | 1 | |
| 7 | 501 49 01-01 | KEY | battery pocket key | 1 | 2 |
| 8 | 593 75 55-01 | SCREW | Engine hood screws | 16 | |
| 9 | 593 72 28-01 | CABLE | handle | 1 | |
| 10 | 593 72 26-01 | CABLE | transmission | 1 | |