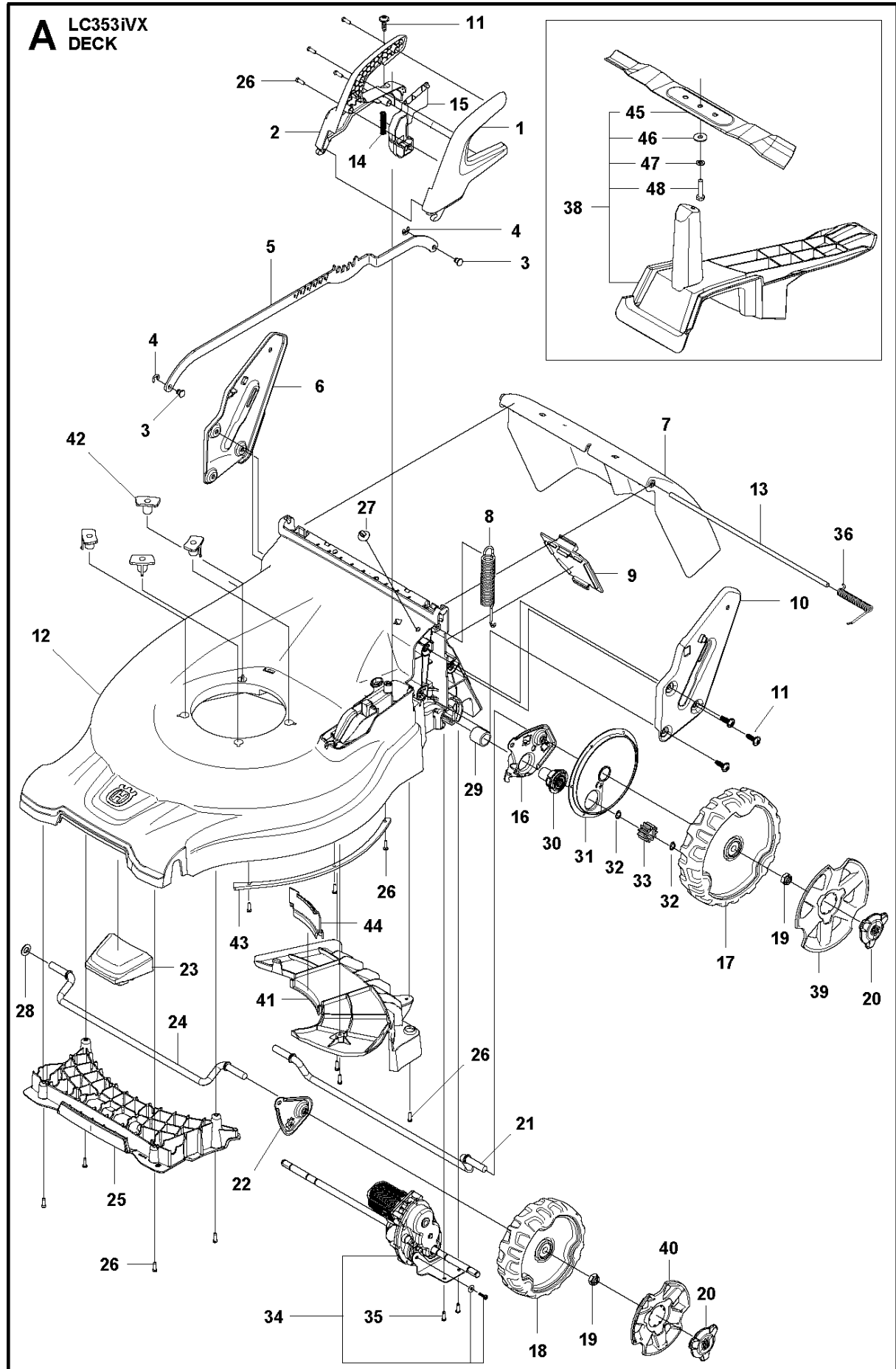




SPARE PARTS LIST

LAWN MOWERS: CONSUMER
WALK-BEHINDS

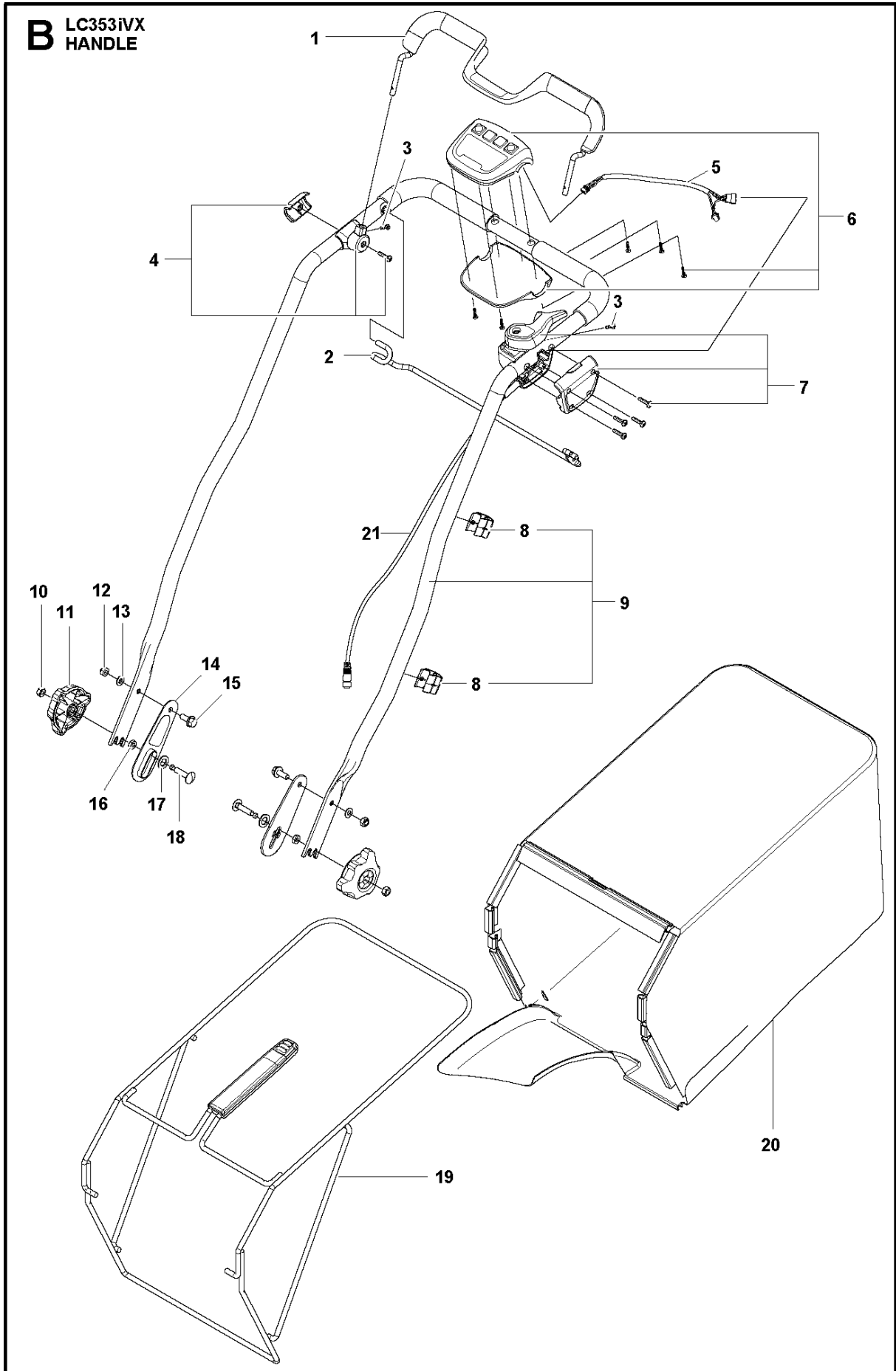
LC 353iVX, 967862002, 2019-01



MOWER DECK / CUTTING DECK

LC 353iVX, 967862002, 2019-01

Ref	Part No	Description	Remark	QTY KIT
1	587 20 37-01	COVER HALF	Husqvarna, Suspension - Left - Height adjustment	1
2	587 20 38-01	COVER HALF	Husqvarna, Suspension - Right - Height adjustment	1
3	587 68 70-01	SHAFT	Suspension	2
4	735 31 12-20	E-CLIP	7x0.9 St PP,SHAFTS	2
5	588 82 78-01	ROD	Suspension 190/230	1
6	587 21 23-02	HANDLE SUPPORT	right	1
7	501 71 61-02	HATCH	Rear door 53cm, Powerhead	1
8	588 82 77-01	SPRING	53 cm,Balance - Suspension	1
9	587 09 54-02	COVER	Service door	1
10	587 21 21-02	HANDLE SUPPORT	left	1
11	578 17 58-02	SCREW ITXPANT	8x24, TBO, For Thermoplastics	7
12	501 70 48-01	CHASSIS	Husqvarna, 53 cm	1
13	586 98 46-02	AXLE	Hatch rear door	1
14	589 59 76-01	SPRING	HA Button	1
15	587 69 74-01	BUTTON	ASSY - Suspension - Height adjustment	1
16	587 07 25-01	LINK ARM	Rear idler 210	1
17	588 74 96-01	WHEEL ASSY	Husqvarna, With Sleeve, 230, Drive	2
18	588 74 97-01	WHEEL ASSY	Husqvarna, With Sleeve, 190, Idler	2
19	587 99 09-01	NUT	Lock, M12x10	4
20	584 15 94-01	NUT CAP	Nut cap	4
21	587 07 26-03	WHEEL AXLE	Rear 53 cm,Suspension	1
22	587 07 24-01	LINK ARM	Front idler 170	2
23	594 72 72-01	COUNTERWEIGHT	COUNTERWEIGHT	1
24	587 07 26-04	WHEEL AXLE	Front 47 cm, Suspension	1
25	501 91 03-01	SKID PLATE	Husqvarna, Front	1
26	502 43 53-01	SCREW ITXPANT	T50x16 Zn/Fe (A009)	15
27	579 31 74-01	STRAP	FIR TREE 170x5	1
28	577 09 28-01	WASHER	12/22/2 FZB ISO7089	1
29	579 68 28-02	TUBE	Rubber	2
30	501 86 10-01	BUSHING	ASSY	1
31	589 63 98-01	DUST COVER	Dust cover, 230	2
32	735 31 14-01	CIRCLIP	12x1 st ZPB, SGA	2
33	544 34 23-01	PINION	Full Width, PM, 11 T, 21.25mm Root Diam	1
34	594 72 88-01	TRANSMISSION	Assy	1
35	502 43 53-01	SCREW ITXPANT	T50x16 Zn/Fe (A009)	2
36	587 10 15-01	SPRING	hatch	1
38	595 00 11-01	MULCH KIT	Mulch plug and combi blade kit	1
39	588 75 20-01	HUB CAP	230 Husqvarna	2
40	588 75 21-01	HUB CAP	190 Husqvarna	2
41	501 71 55-01	BELT COVER	Belt cover 53 cm	1
42	578 29 51-01	SLEEVE	For engine screws, Plastic chassis	4
43	582 02 28-01	REINFORCEMENT PLATE	Chassis 53 cm	2
44	594 09 90-01	COVER	53cm electric	1
45	595 00 72-10	BLADE		1
46	734 11 64-41	WASHER	SRKB 8.4/25X2	1
47	579 68 42-01	SPRING WASHER		1
48	725 24 55-71	SCREW EHHM	M8x30 8.8 ZPB	1

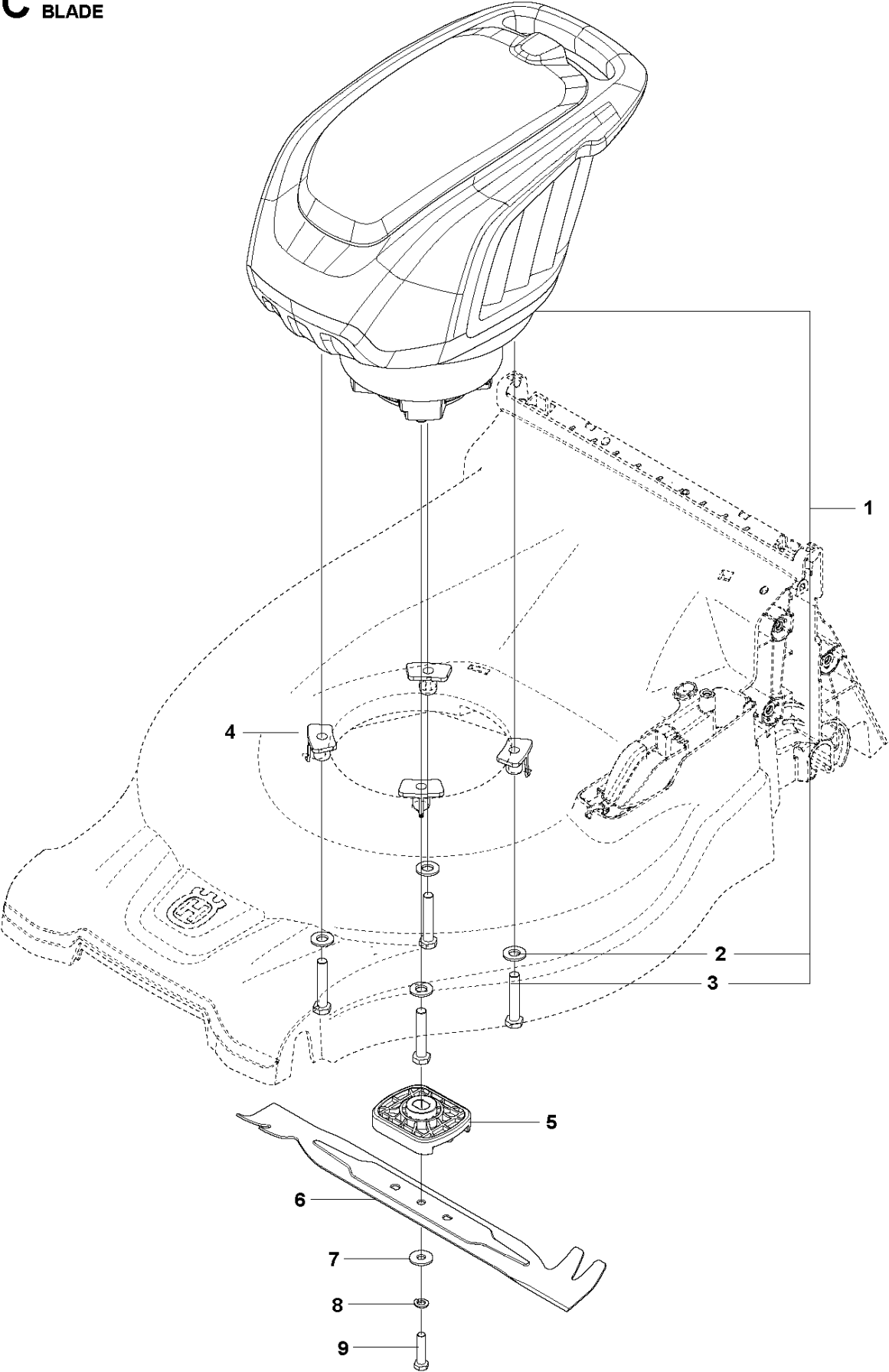


HANDLE

LC 353iVX, 967862002, 2019-01

Ref	Part No	Description	Remark	QTY	KIT
1	596 25 36-01	BAIL	Handle assy, OPC bail kit	1	
2	587 10 18-02	BAIL	Drive bail	1	
3	593 19 87-01	DRIVE SCREW		2	
4	593 11 87-01	SUPPORT ASSY	Bail support assembly	1	
5	593 19 86-01	EXTENSION CABLE	Control panel assy cable	1	
6	596 25 30-02	CONTROL BOARD	Control board, Drive	1	
7	593 11 80-01	SWITCHBOX ASSY	Push	1	
8	591 08 64-01	CABLE HOLDER	Handle mounted clip	2	9
9	596 28 03-01	HANDLE ASSY	Handle assy	1	
10	731 23 18-01	HEXAGON NUT	M8 8 ZPB,ISO 4032	2	
11	587 23 72-01	KNOB	handle	2	
12	732 21 18-01	LOCK NUT	M8-8	2	
13	734 18 20-51	WASHER	8x16x1.5 St ZPB, Type NB	2	
14	587 78 04-01	WASHER	Washer handle/handlesupport	2	
15	506 57 01-04	SCREW EHHFM	M8x20 8.8 ZPB,EHHFM	2	
16	731 43 18-01	HEXAGON THIN NUT	M8 St 04 ZPB,ISO 4035	2	
17	588 15 74-01	WASHER	Nylon Washer	2	
18	588 15 73-02	BOLT	Esloc, Carriage Bolt M8	2	
19	501 71 60-01	BAG FRAME	Bag frame	1	
20	501 85 66-01	GRASSBAG	Grassbag	1	
21	597 68 87-01	CABLE		1	

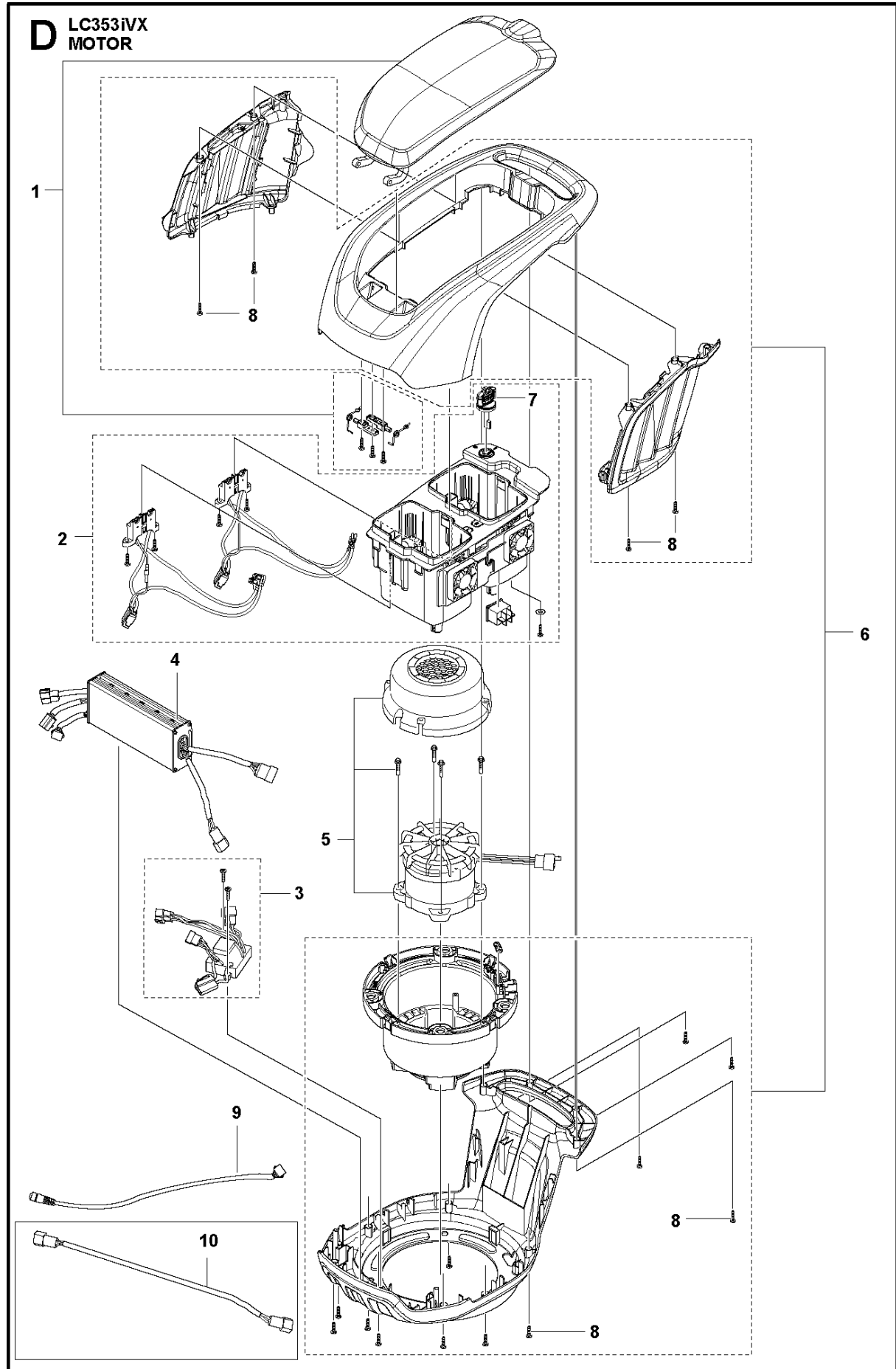
C LC353iVX
BLADE



BLADE MOTOR & CUTTING EQUIPMENT

LC 353iVX, 967862002, 2019-01

Ref	Part No	Description	Remark	QTY	KIT
1	590 53 14-04	POWER UNIT	Powerhead Unit	1	
2	504 46 68-01	WASHER	10.5x22x2 BRB ZPB	4	1
3	725 25 02-71	SCREW EHHM	M10x55 8.8 ZPB,ISO 4017	4	1
4	578 29 51-01	SLEEVE	For engine screws, Plastic chassis	4	
5	596 60 22-01	BLADE SUPPORT	Transmission system	1	
6	594 07 57-10	BLADE		1	
7	734 11 64-41	WASHER	SRKB 8.4/25X2	1	
8	579 68 42-01	SPRING WASHER		1	
9	725 24 55-71	SCREW EHHM	M8x30 8.8 ZPB	1	



MOTOR

LC 353iVX, 967862002, 2019-01

Ref	Part No	Description	Remark	QTY	KIT
1	593 12 43-01	LID ASSY	Powerhead lid and hinge	1	
2	593 12 45-02	BATTERY BOX	Battery pocket	1	7
3	593 13 36-02	CONTACT PLATE	Battery control plate	1	
4	593 13 27-01	CONTROL UNIT	Motor control box	1	
5	593 78 38-02	MOTOR	Brushless motor 900W	1	
6	593 20 39-01	ENGINE HOOD ASSY	Power unit cover	1	
7	501 49 01-01	KEY	battery pocket key	1	2
8	593 75 55-01	SCREW	Engine hood screws	16	
9	593 72 28-01	CABLE	handle	1	
10	593 72 26-01	CABLE	transmission	1	